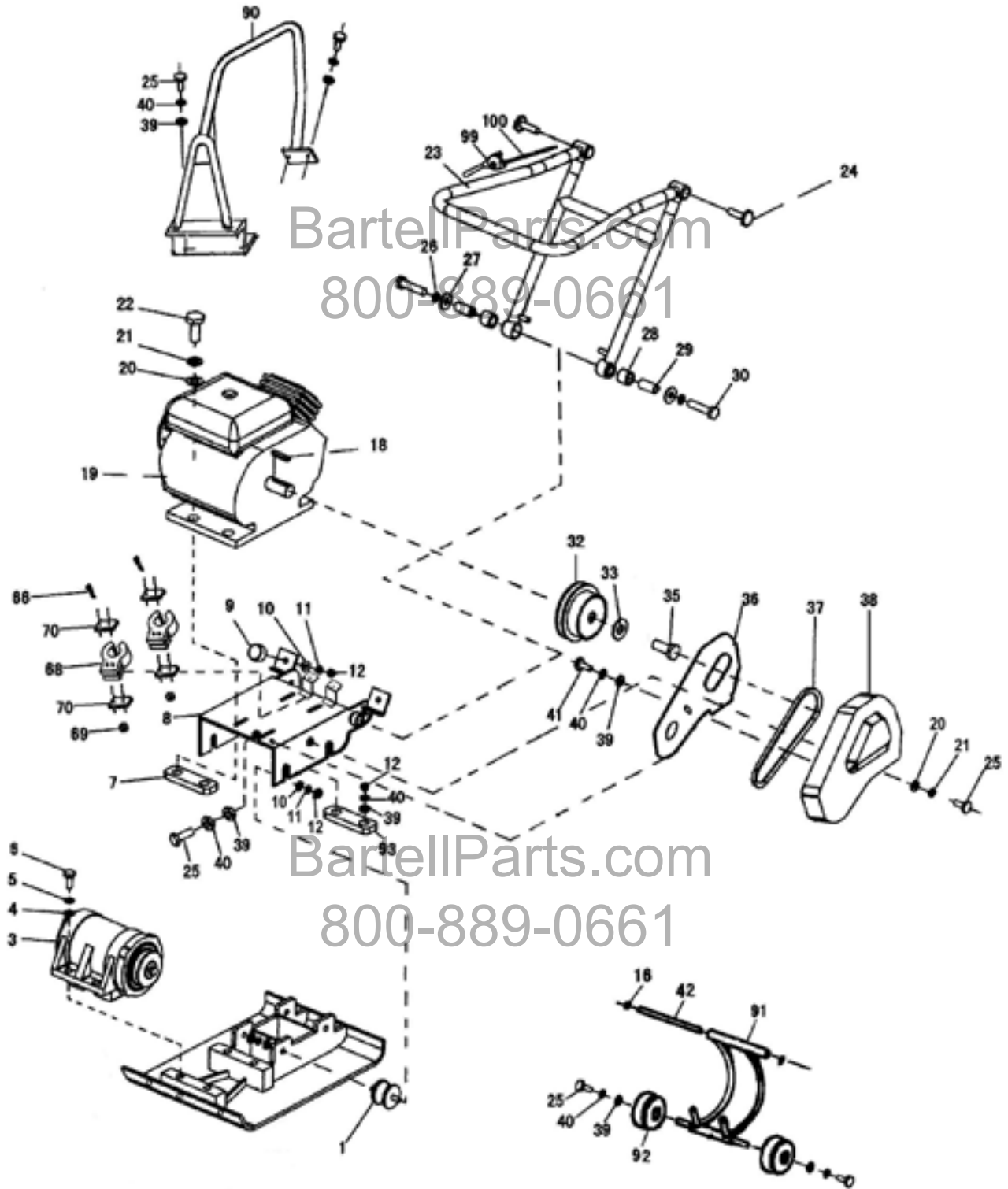


PARTS LIST 1

B100

GENERAL ASSEMBLY



PARTS LIST 1

B100

GENERAL ASSEMBLY

ITEM NO.	PART NO.	DESCRIPTION	QTY.
1	60720	SHOCK ABSORBER	4
2	60611	BASE PLATE	1
3	60812	VIBRATOR ASSY	1
4	60831	WASHER 16-GB93	4
5	60832	SPRING WASHER 16-GB93	4
6	60830	BOLT M16x40 - GB5783-86	4
7	60856	ENGINE NUT	2
8	60612	ENGINE MOUNTING PLATE WITH WHEEL PLATE	1
9	60857	CUSHION PAD	2
10	10111	WASHER 10-GB95	2
11	11621	SPRING WASHER 10-GB93	2
12	60835	NUT M10 - GB6170	2
16	60858	CIRCLIP FOR SHAFT 13 - GB894 (OPTIONAL)	2
18	10206	KEY	1
19		ENGINE	1
20	11000	WASHER 8-GB93	4
21	11614	SPRING WASHER 8-GB93	4
22	10452	BOLT M8x40 - GB5783	4
23	60859	FOLDABLE HANDLE ASSY	1
24	60860	KNOB	2
25	11619	BOLT M8x25 - GB93	9
26	10735	SPRING WASHER 12-GB93	2
27	60616	WASHER 12 - GB93	2
28	60617	RUBBER MOUNT	2
29	60618	COLLAR	2
30	60861	BOLT M12 x GB5782	2
32	60819	CLUTCH PULLEY ASSY.	1
33	30042	CLUTCH WASHER	1
35	11256	FHSCS 5/16" x 1" LG	1
36	60605	INSIDE BELT COVER	1
37	60718	V-BELT SPA - GB11544 13x37Li, AX29	1
38	60604	BELT COVER	1
41	11747	BOLT M8x16 - GB5783	3
42	60862	WHEEL PIN	1

PARTS LIST 1

B100

GENERAL ASSEMBLY - CONT.

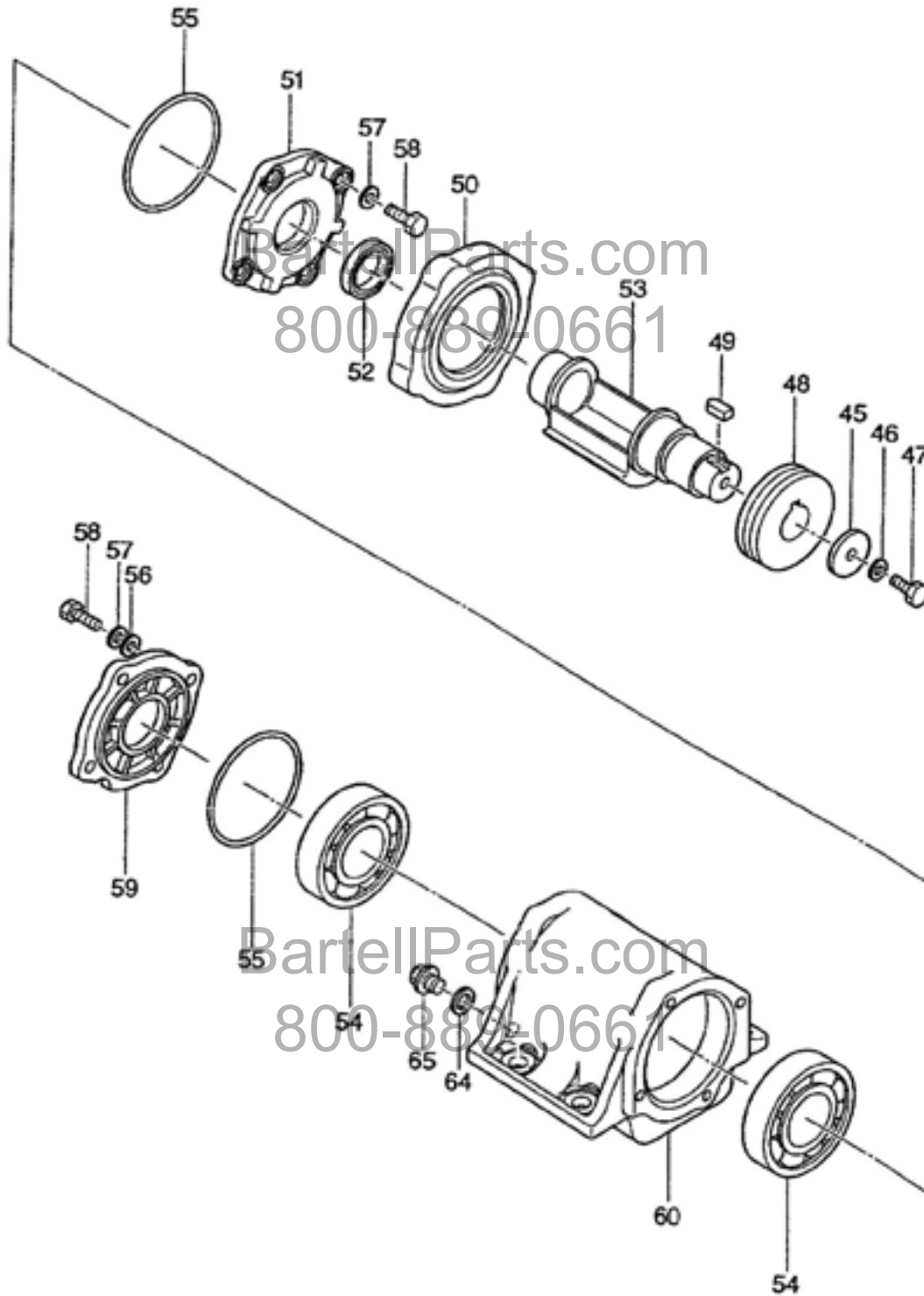
ITEM NO.	PART NO.	DESCRIPTION	QTY.
44	60835	NUT M10 - GB170	1
66	11635	BOLT M6x30	4
68	60863	RUBBER CLIP	2
69	50622	NUT M6	4
70	60864	CLIP PLATE	4
90	60613	PROTECTIVE FRAME (OPTIONAL)	1
91	60865	WHEEL SHAFT	1
92	60866	WHEEL	2
93	60867	NUT STRIP	1
99	60854	THROTTLE CONTROL LEVER + CABLE	1

BartellParts.com
800-889-0661

PARTS LIST 2

B100

EXCITER ASSEMBLY



PARTS LIST 2

B100

EXCITER ASSEMBLY

ITEM NO.	PART NO.	DESCRIPTION	QTY.
45	14998	WASHER	1
46	11621	SPRING WASHER 10 - GB93	1
47	60869	HHCS, M10x25, VENTED	1
48	60842	SHEAVE	1
49	60846	KEY	1
50	60841	END COVER	1
51	60839	END CAP LEFT	1
52	60844	OIL SEAL, SHAFT	1
53	60868	EXCITER SHAFT	1
54	60845	BEARING	2
55	60843	O-RING	2
56	11000	WASHER, FLAT, M8	8
57	10998	WASHER, LOCK, M8	8
58	11619	HHCS, M8x25MM	8
59	60840	END CAP, RIGHT	1
60	60837	EXCITER HOUSING	1
64	60848	PLUG SEAL RING	1
65	60847	PLUG	1

BartellParts.com
800-889-0661