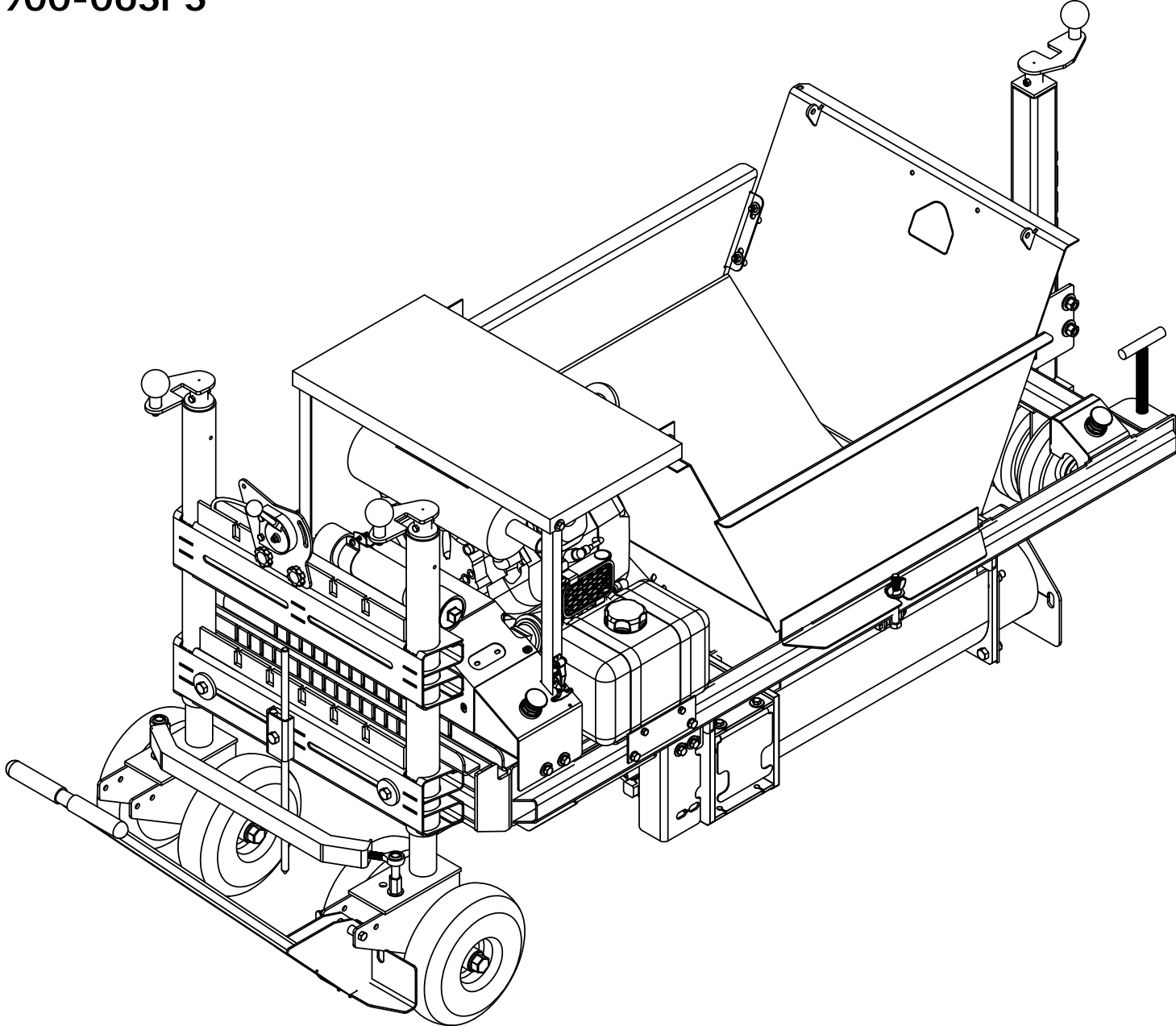
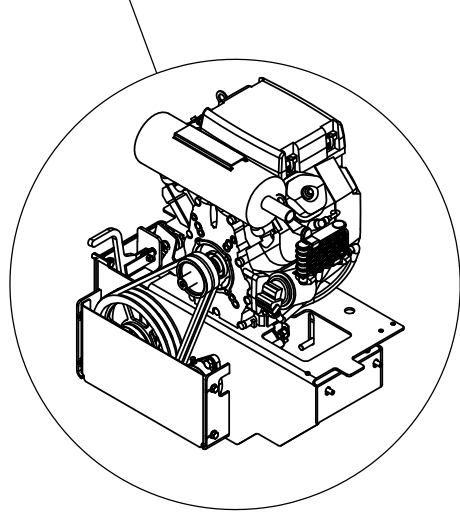


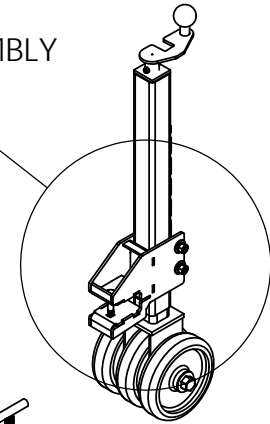
05-20HE-900-06SPS



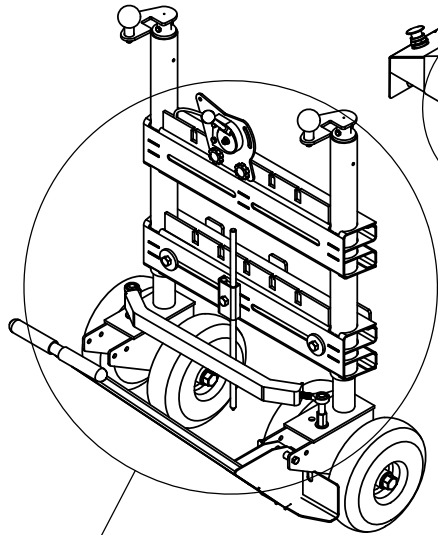
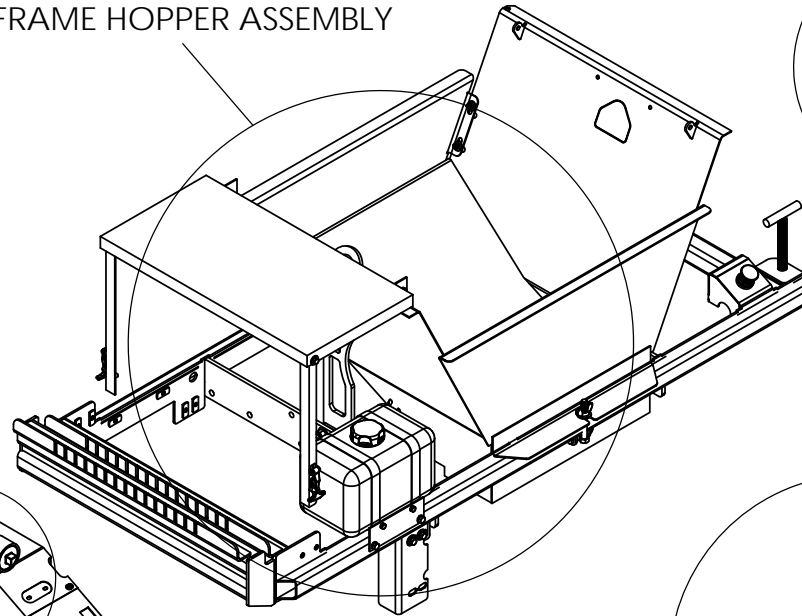
DRIVE TRANSMISSION ASSEMBLY



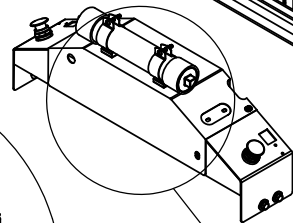
REAR WHEEL ASSEMBLY



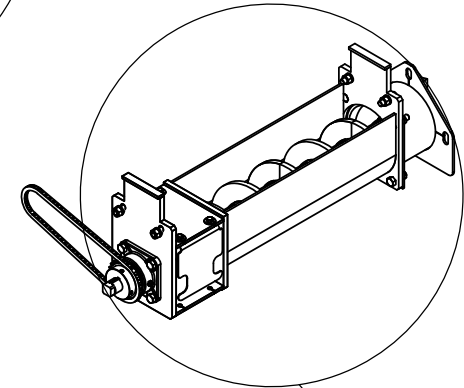
FRAME HOPPER ASSEMBLY



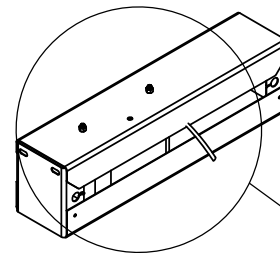
FRONT WHEEL ASSEMBLY



BELT GUARD ASSEMBLY

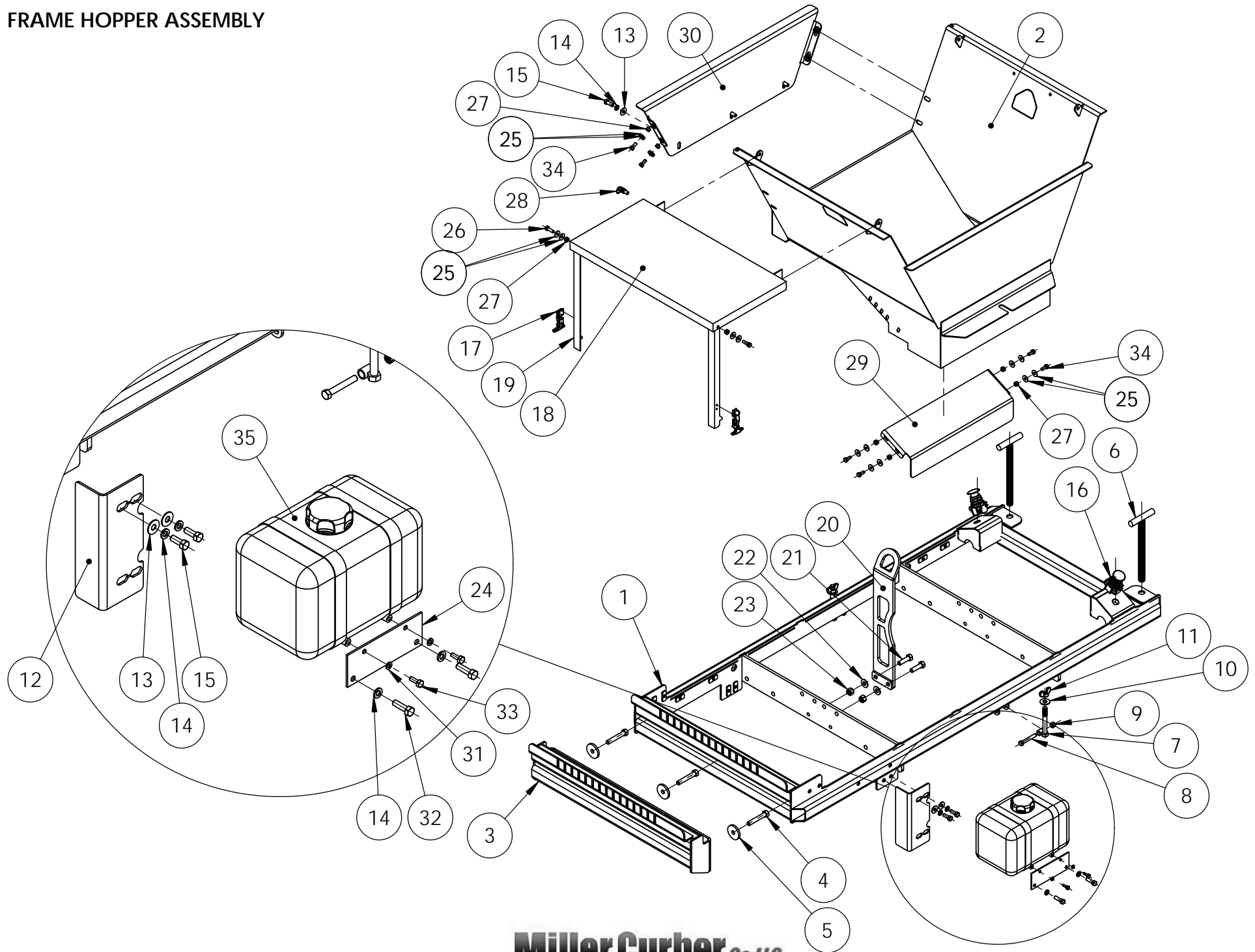


AUGER ASSEMBLY

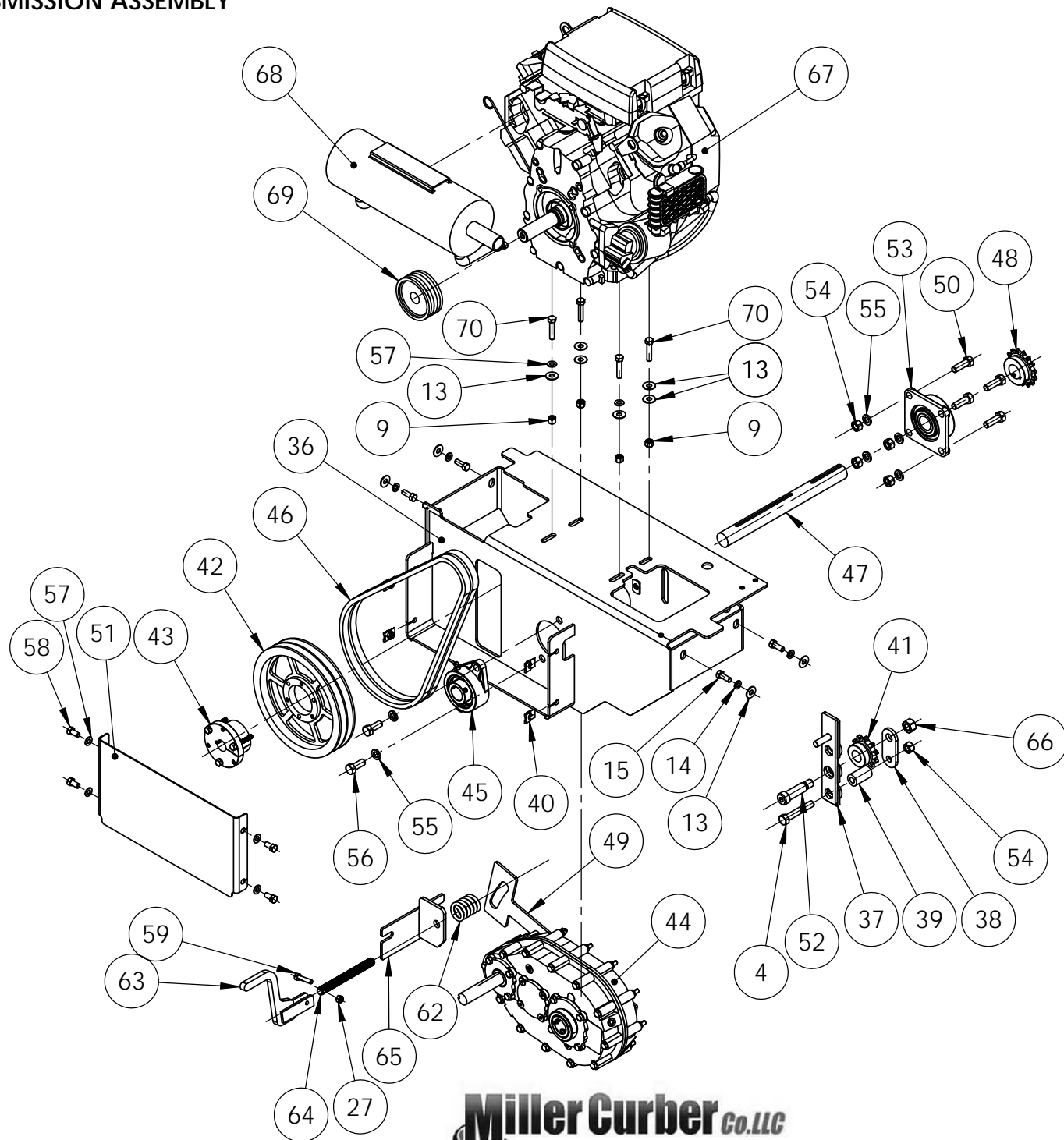


BATTERY BOX ASSEMBLY

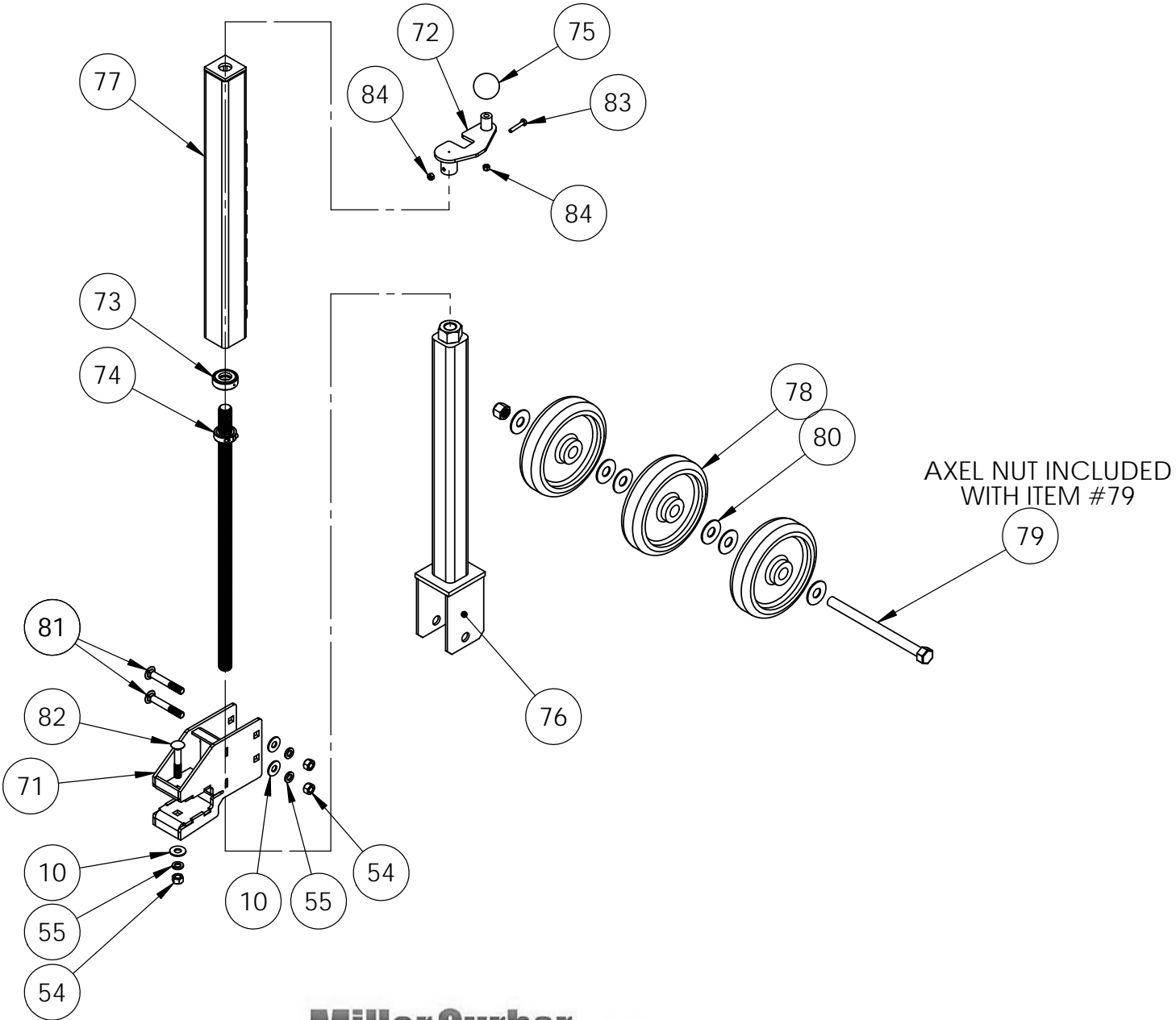
# FRAME HOPPER ASSEMBLY



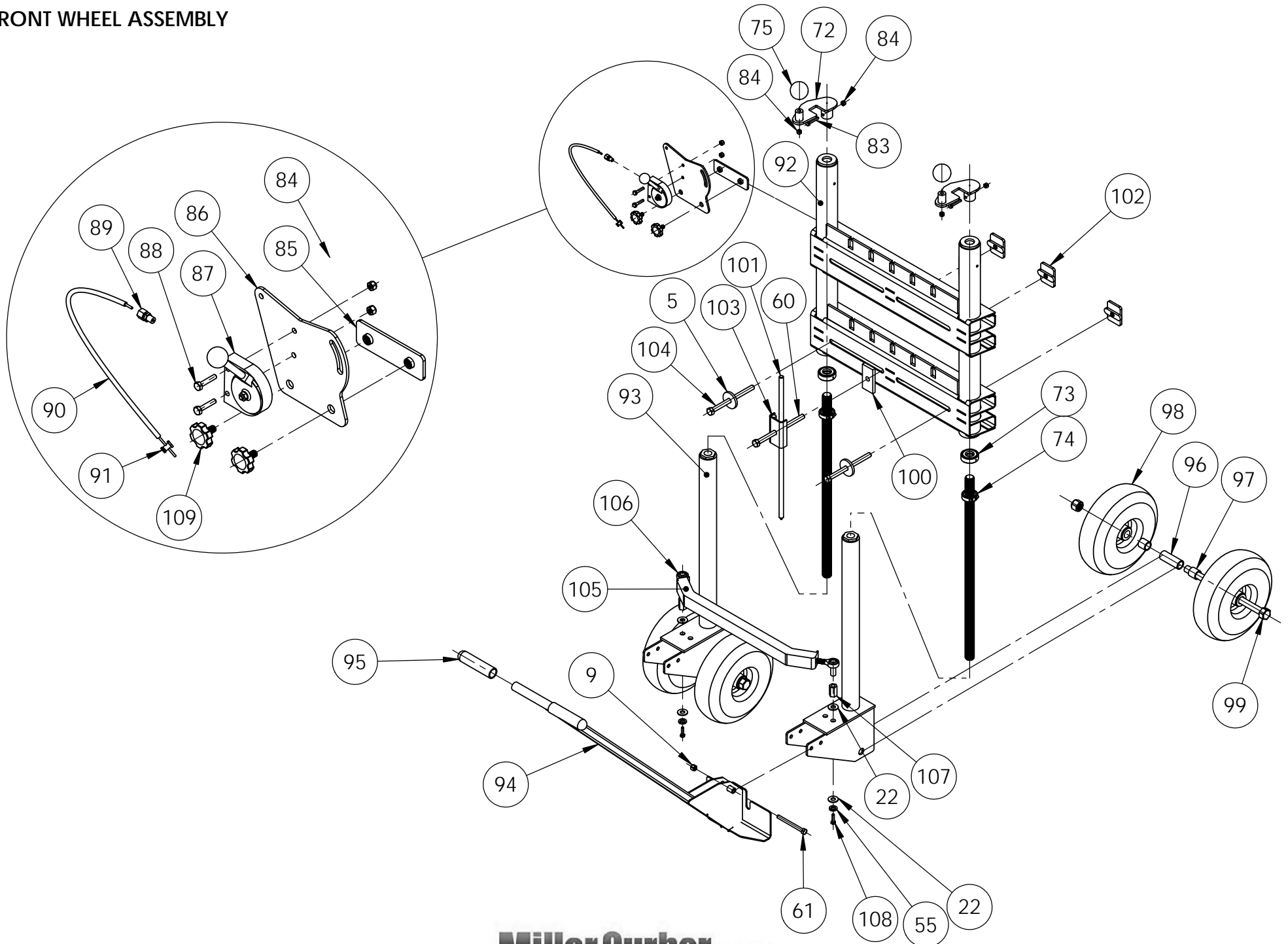
# DRIVE TRANSMISSION ASSEMBLY



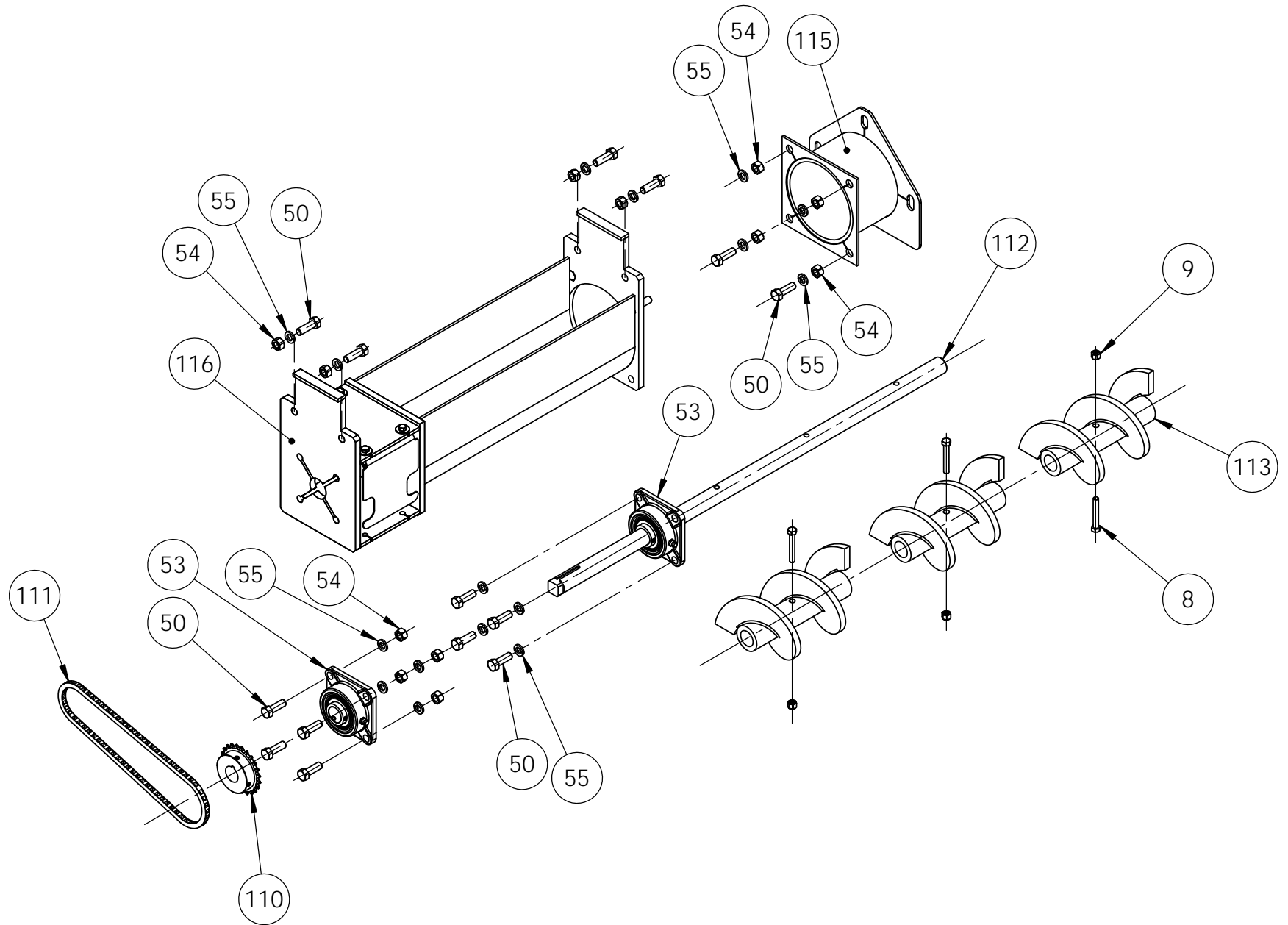
REAR WHEEL ASSEMBLY



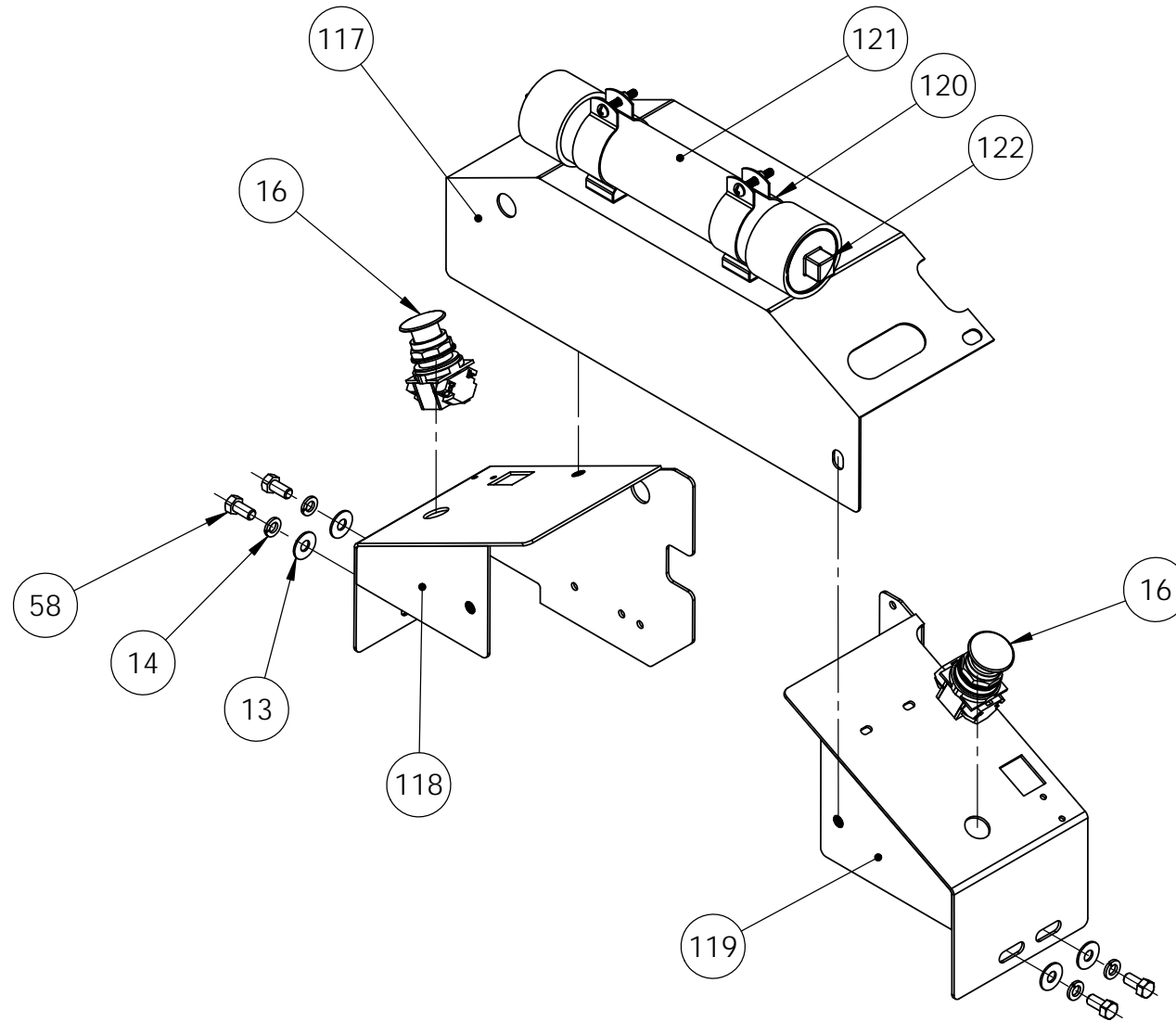
# FRONT WHEEL ASSEMBLY



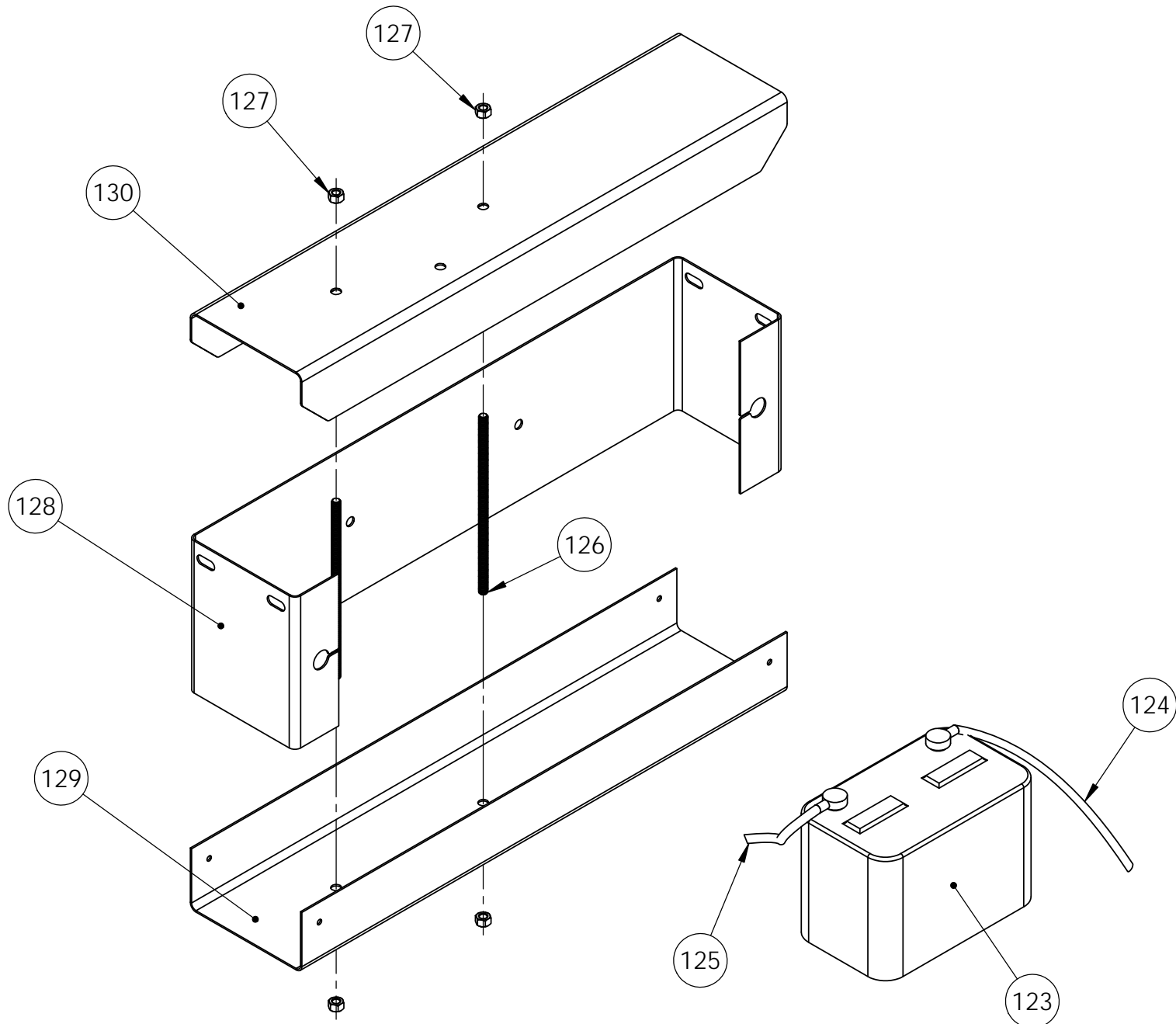
# AUGER ASSEMBLY



# BELT GUARD ASSEMBLY



# BATTERY BOX ASSEMBLY



ITEM NO.	PART NUMBER	DESCRIPTION
1	45027-01	MC 900 FRAME
2	45013-13	MC 900 HOPPER
3	45140-25	FRAME EXT. MC850/900
4		HHCS, 1/2-13 UNC x 3" LG.
5	45140-31	FRONT END CLAMP WASHER
6	45003-11	CURBFORM HOLD DOWN SCREW
7	45012-13	HOPPER CLAMP
8		HHCS, 3/8-16 UNC x 2-1/2" LG.
9		LOCK NUT, 3/8-16 UNC
10		FLAT WASHER, 1/2"
11		WING NUT, 1/2-13 UNC
12	45050-18	CHAIN GAURD
13		USS FLAT WASHER, 3/8"
14		LOCK WASHER, 3/8"
15		HHCS, 3/8-16 x 1" LG.
16	45043-04	EMERGENCY STOP SWITCH, ELECTRIC START
17	MS0200	RUBBER HOOD LATCH
18	45145-01	ENGINE COVER
19	45145-10	ENGINE COVER BRACE
20	45035-01	LIFTING LUG
21		HHCS, 1/2-13 UNC x 1-3/4" LG.
22		SAE FLAT WASHER, 1/2"

ITEM NO.	PART NUMBER	DESCRIPTION
23		LOCK NUT, 1/2-13 UNC
24	45157-02	FUEL TANK BRACKET
25		SAE FLAT WASHER, 5/16"
26		HHCS, 5/16-18 UNC x 1" LG.
27		NYLOK LOCK NUT, 5/16-18 UNC
28	45145-17	RETRACTABLE PLUNGER
29	45013-17	MC 900 HOPPER ADJ. PLATE
30	45013-18	MC 900 HOPPER REMOVABLE SIDE PLATE
31		LOCK WASHER, 1/4"
32		HHCS, 3/8-16 UNC x 1-1/4" LG.
33		HHCS, 1/4-20 UNC x 3/4" LG.
34		HHCS, 5/16-18 UNC x 3/4" LG.
35	45157-01	PLASTIC FUEL TANK
36	45002-11	MC-860/900 MOTOR MOUNT
37	45016-17	IDLER BRACKET WELDMENT
38	45016-18	IDLER BRACKET RETAINING PLATE
39		IDLER BRACKET TUBE
40	45108-07	3/8" CAGE NUT
41	45016-11	IDLER SPROCKET
42	45050-02	2 GROOVE Q.D. SHEAVE
43	45050-03	Q.D. BUSHING FOR 4050-02
44	45050-05	GEAR REDUCER

NOTE:  
WHEN ORDERING FASTENERS, PLEASE USE  
PAGE REFERENCE (LOWER RIGHT HAND  
CORNER) AND ITEM NUMBER.



ITEM NO.	PART NUMBER	DESCRIPTION
45	BE0100	1-1/4" 2-BOLT FLANGE BEARING
46	45050-23	COG "V" BELT
47	45050-16	OUTPUT SHAFT
48	SK0200	15 TOOTH SPROCKET
49	45024-03	SAFETY TORQUE ARM
50		HHCS, 1/2-13 UNC x 1-1/2" LG.
51	45008-10	SHEAVE GAURD
52		SHOULDER BOLT, 5/8-11 UNC x 3/4 DIA x 2" LG.
53	BE0200	1-1/4" 4-BOLT FLANGE BEARING
54		HEX NUT, 1/2-13 UNC
55		LOCK WASHER, 1/2"
56		HHCS, 1/2-13 UNC x 1-1/4" LG.
57		SAE FLAT WASHER, 3/8"
58		HHCS, 3/8-16 UNC x 3/4" LG.
59		HHCS, 5/16-18 UNC x 1-1/2" LG.
60		HHCS, 1/2-13 UNC x 7-1/2" LG.
61		HHCS, 3/8-16 UNC x 4" LG.
62	45024-02	TORQUE ARM COMPRESSION SPRING
63	45024-09	SAFETY TORQUE ARM HANDLE
64	45024-14	SAFETY TORQUE ARM STUD
65	45024-04	SAFETY TORQUE ARM BRACKET
66		HEX NUT, 5/8-11 UNC

ITEM NO.	PART NUMBER	DESCRIPTION
67	45151-01	20.3 HP HONDA ENGINE
68	45151-07	HONDA MUFFLER FOR MC-850/900
69	CL0200	CLUTCH, 1" BORE, HVY. DUTY
70		HHCS, 3/8-16 UNC x 1-3/4" LG.
71	45033-07	TALL WHEEL BRACKET HVY DTY
72	45036-11	JACK HANDLE ASSEMBLY
73	BE0600	JACK ASSEMBLY THRUST BEARING
74	45032-10	JACK SCREW, TALL WHEEL ASSEMBLY
75	MS0400	JACK HANDLE KNOB
76	45158-07	TALL REAR WHEEL FORK ASSEMBLY
77	45032-03	TALL REAR WHEEL HSG ASSY
78	WT0100	8" x 2" RUBBER WHEEL W/ ROLLER BEARING
79	45094-04	AXEL, 3/4-10NC x 10" LG W/ LOCKNUTS
80		USS FLAT WASHER, 3/4"
81	47132-24	CARRIAGE BOLT, 1/2-13 UNC x 3-1/2" LG.
82	47139-37	CARRIAGE BOLT, 1/2-13 UNC x 3" LG.
83		HHCS, 1/4-20 UNC x 1-1/2" LG.
84		LOCK NUT, 1/4-20 UNC
85	45131-03	THROTTLE PLATE CLAMP
86	45131-02	THROTTLE MOUNTING PLATE
87	45132-43	THROTTLE CONTROL
88		HHCS, 1/4-20 UNC x 1-1/4" LG.

NOTE:  
WHEN ORDERING FASTENERS, PLEASE USE  
PAGE REFERENCE (LOWER RIGHT HAND  
CORNER) AND ITEM NUMBER.



ITEM NO.	PART NUMBER	DESCRIPTION
89	45132-44	BULK HEAD FITTING
90	45130-34	20.3 HP HONDA THROTTLE CABLE ASSY.
91	45130-27	HONDA THROTTLE WIRE SWIVEL
92	45026-01	TALL FRONT WHEEL FORK
93	45158-15	TALL FRONT WHEEL FORK
94	45020-14	STEERING HANDLE
95	CG0100	GRIP, HANDLEBAR
96	45140-23	CENTER WHEEL SPACER
97	45140-11	PNEUMATIC WHEEL SPACER
98	45140-12	PNEUMATIC TIRE AND RIM ASSY
99	45140-10	AXEL, 3/4-10NC x 12" LG W/ LOCKNUTS
100	45031-17	CURBER MARKING ROD BACKPLATE
101	45031-11	MC-550/650/850 MARKER POINTER
102	45031-21	FRONT END CLAMP RETAINING NUT
103	45031-18	MARKER HOLDER ROD BRACKET
104		HHCS, 1/2-13 UNC x 6-1/2" LG.
105	45059-08	TIE ROD
106	45059-04	MALE TIE ROD END W/ STUD
107	45059-11	COUPLING NUT, 1/2-20 UNF x 1-1/4" LG.
108		HHCS, 1/2-20 UNF x 1" LG.
109	48200-26	THROTTLE MOUNT KNOB
110	SK0300	23 TOOTH SPROCKET

ITEM NO.	PART NUMBER	DESCRIPTION
111	45050-10	ROLLER CHAIN, 37" LONG
112	45023-19	MC 900 SOLID TRIPLE AUGER SHAFT
113	45018-09	6" SOLID AUGER, 9" LONG
114	45010-12	6" AUGUR SHAFT GAURD
115	45014-01	6" COMPACTION TUBE
116	45011-73	6" TRIPLE AUGER HOUSING
117	45019-29	CENTER BELT GUARD COVER
118	45019-18	RIGHT HAND BELT GUARD WELDMENT
119	45019-19	LEFT HAND BELT GUARD WELDMENT
120	44108-07	MANUAL TUBE MOUNTING CLAMPS
121	44108-01	MANUAL TUBE
122	44108-05	MANUAL TUBE CAP
123	BT0100	BATTERY, 12V DC
124	BF0100	36" BATTERY POSITIVE CABLE
125	BF0200	BATTERY GROUND CABLE
126	45116-23	BATTERY BOX BOLTS
127		HEX NUT, 3/8-16 UNC
128	45116-31	MC 900 BATTERY BOX SIDE
129	45116-32	MC 900 BATTERY BOX BOTTOM
130	45116-33	MC 900 BATTERY BOX TOP

NOTE:  
WHEN ORDERING FASTENERS, PLEASE USE  
PAGE REFERENCE (LOWER RIGHT HAND  
CORNER) AND ITEM NUMBER.

