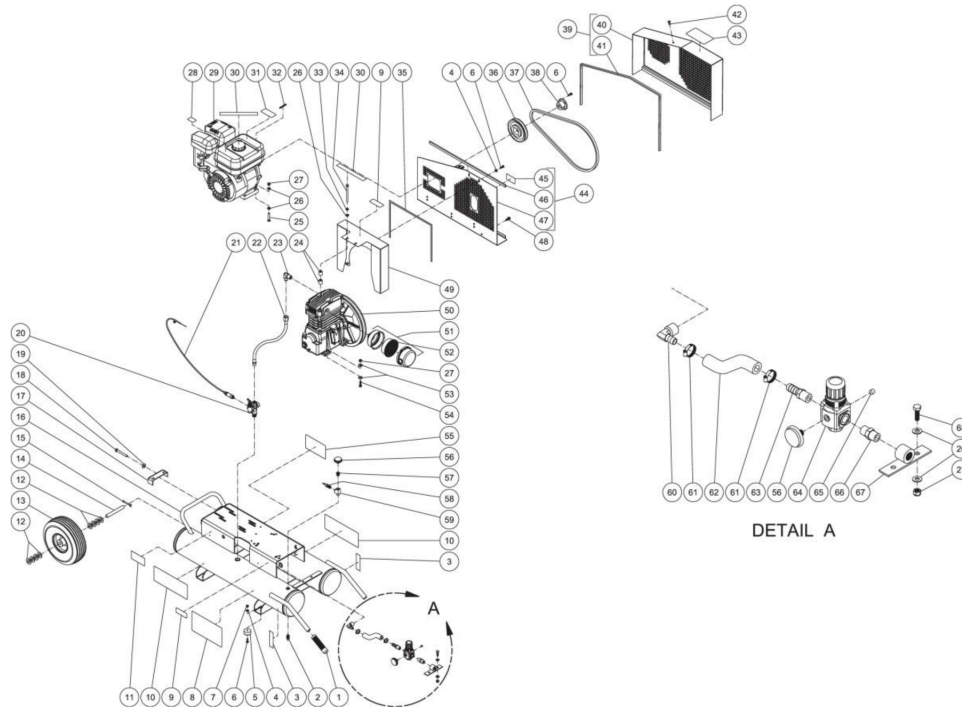




AS1-PR07-08M / AS1-PR07-08M (sn:0-99999999)

TANK ASSEMBLY



Id	Item #	Description	Quantity	Rev	Comments
1	7-0143	HANDLE GRIPS	2		
2	23-0312	DRAIN VALVE	2		
3	N/A Sep.	DECAL- DRAIN TANK (SEE 34-9016)	2		
4	28-0002	WASHER	8		
5	14-0069	ISOLATOR	4		
6	27-0015	BOLT	10		
7	30-0155	LOCKNUT	4		
8	N/A Sep.	DECAL- DANGER/WARNING/CAUTION (SEE 34-9016)	1		
9	N/A Sep.	DECAL- WARNING RISK OF BURNS (SEE 34-9016)	2		
10	34-0828	DECAL- MI-T-M AIR COMPRESSORS	2		
11	N/A	DECAL- DATA PLATE	1		
12	28-0008	WASHER	8		
13	14-0017	WHEEL	1		
14	20-0420	AXLE	1		

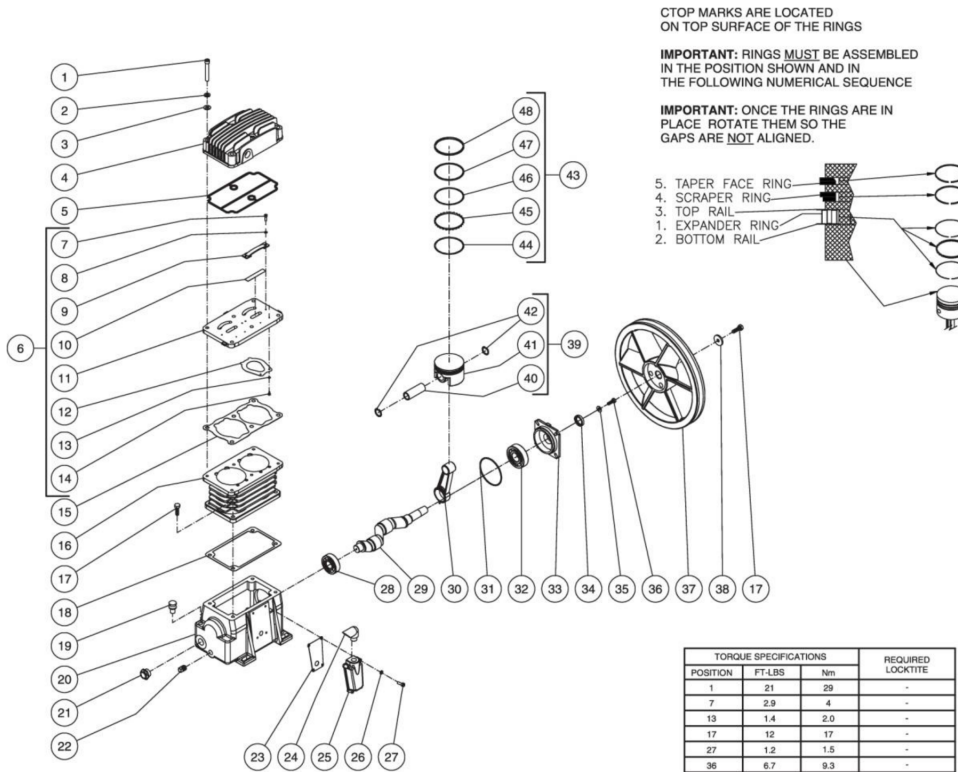
Id	Item #	Description	Quantity	Rev	Comments
15	43-0092	COTTER PIN	2		
16	N/A	AIR TANK ASSEMBLY	1		
17	20-0614A01	BELT TENSIONER PLATE	1		
18	27-0576	BOLT	1		
19	28-0023	WASHER	1		
20	22-0346	PILOT VALVE	1		
21	33-0401	AIR THROTTLE CONTROL	1		
22	15-0235	HOSE	1		
23	23-0074	ELBOW	1		
24	33-0358	SPACER	2		
25	27-0070	BOLT	4		
26	28-0003	WASHER	14		
27	30-0157	LOCKNUT	10		
28	N/A Sep.	DECAL- ENGINE FUEL (SEE 34-9016)	1		
29	1-0133	ENGINE- 7.0 H.P.	1		
30	N/A Sep.	DECAL- CHECK OIL TAPE (SEE 34-9016)	2		
31	N/A Sep.	DECAL- WARNING MUFFLER HOT (SEE 34-9016)	1		
32	43-0073	KEY	1		
33	29-0007	LOCKWASHER	2		
34	27-0079	BOLT	2		
35	26-0240	GASKET	1		
36	10-0122	SHEAVE	1		
37	11-0073	DRIVE BELT	1		
38	9-0009	BUSHING	1		
39	845-0009	BELTGUARD COVER	1		
40	N/A Sep.	BELTGUARD COVER (SEE 854-0007)	1		
41	33-0020	EDGING *(FOUR FEET REQUIRED)	1		
42	33-0197	FASTENER	1		
43	N/A Sep.	DECAL- OPERATING INSTRUCTIONS (SEE 34-9016)	1		
44	854-0007	BELTGUARD BACK ASSEMBLY (INC. 45-48)	1		
45	N/A Sep.	DECAL- WARNING: BELTGUARD IN PLACE (SEE 34-9016)	1		
46	33-0020	EDGING *(TWO FEET REQUIRED)	1		
47	N/A Sep.	BELTGUARD BACK (SEE 854-0007)	1		
48	27-9524	BOLT	3		
49	20-0916A01	AIR SHROUD	1		
50	3-0280	PUMP	1		
51	19-0240	AIR FILTER ASSEMBLY (W/COMPRESSOR) (INC. 51)	1		
52	19-0220	FILTER ELEMENT	1		
53	28-0022	WASHER	8		

Id	Item #	Description	Quantity	Rev	Comments
54	27-0068	BOLT	4		
55	N/A Sep.	DECAL- MAINTENANCE INSTRUCTIONS (SEE 34-9016)	1		
56	22-0257	PRESSURE GAUGE	2		
57	23-0111	ADAPTER	1		
58	22-0228	SAFETY RELIEF VALVE	1		
59	23-0127	STREET TEE	1		
60	23-0418	ELBOW	1		
61	42-0011	HOSE CLAMP	2		
62	15-0007	HOSE *(ONE FOOT REQUIRED)	1		
63	23-0105	HOSE BARB	1		
64	22-0231	ADJUSTABLE REGULATOR- 250 PSI	1		
65	24-0082	PLUG	1		
66	24-0010	NIPPLE	1		
67	20-0421A01	REGULATOR MOUNTING BRACKET	1		
68	27-0067	BOLT	2		
	34-9016	SAFETY DECAL KIT (INC. 3, 8-9, 28, 30-31, 43, 45, 55)			
		*MUST ORDER IN ONE FOOT LENGTHS			



AS1-PR07-08M / AS1-PR07-08M (sn:0-99999999)

COMPRESSOR PUMP



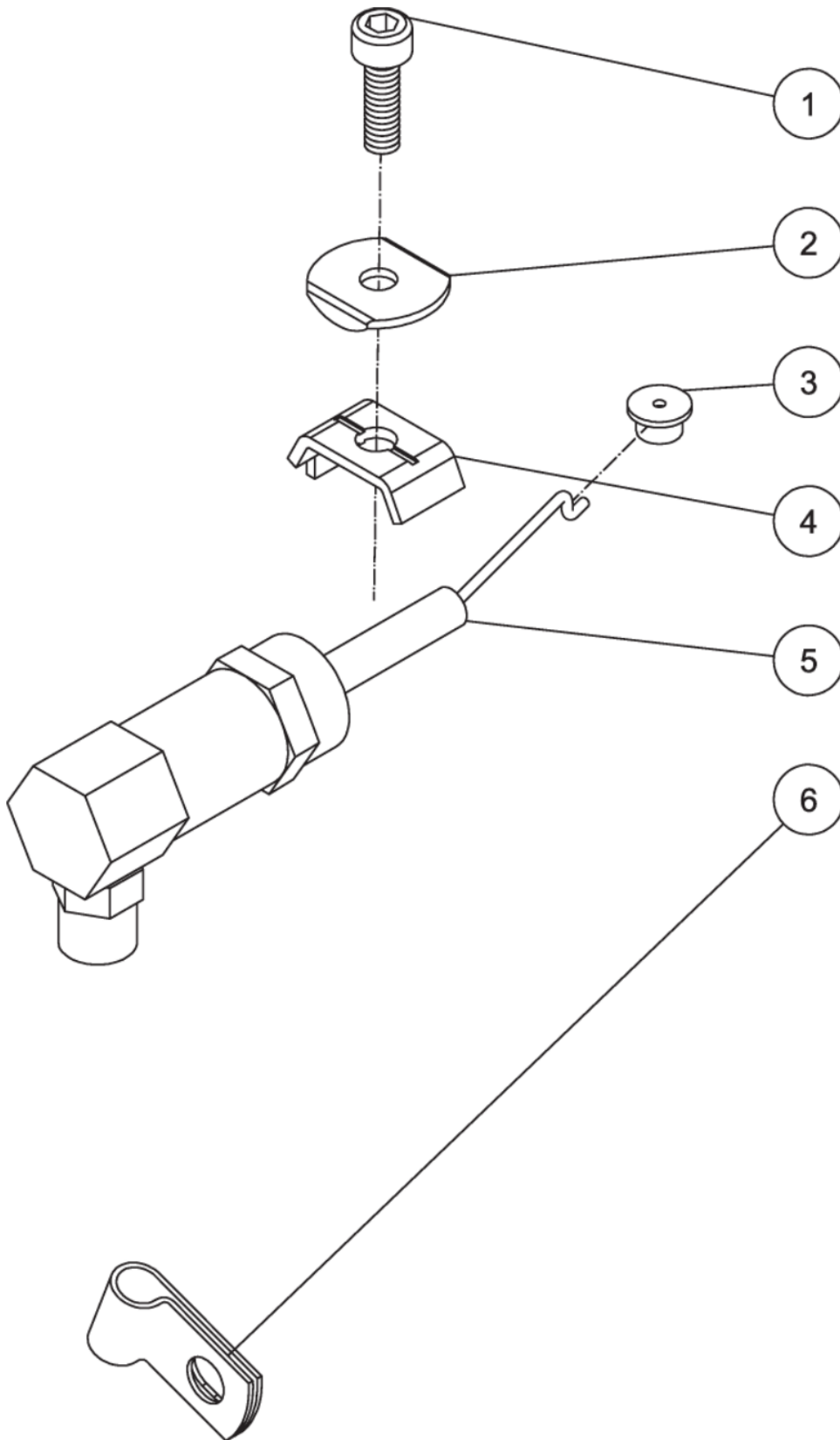
Id	Item #	Description	Quantity	Rev	Comments
1	27-0827	BOLT	6		
2	29-0007	LOCKWASHER	6		
3	28-0003	WASHER	6		
4	46-1236	CYLINDER HEAD	1		
5	N/A Sep.	GASKET (SEE 70-0453)	1		
6	70-0454	VALVE PLATE KIT (INC. 7-14)	1		
7	N/A Sep.	BOLT (SEE 70-0454)	4		
8	N/A Sep.	WASHER (SEE 70-0454)	4		
9	N/A Sep.	VALVE STOP (SEE 70-0454)	2		
10	N/A Sep.	OUTLET REED VALVE (SEE 70-0454)	2		
11	46-1235	VALVE PLATE	1		
12	N/A Sep.	INLET REED VALVE (SEE 70-0454)	2		
13	N/A Sep.	WASHER (SEE 70-0454)	4		

Id	Item #	Description	Quantity	Rev	Comments
14	N/A Sep.	VALVE SCREW (SEE 70-0454)	4		
15	N/A Sep.	GASKET (SEE 70-0453 OR 70-0454)	1		
16	46-1234	CYLINDER	1		
17	27-0067	BOLT	5		
18	N/A Sep.	CRANKCASE GASKET (SEE 70-0453)	1		
19	46-1144	OIL FILL PLUG	1		
20	46-1233	CRANKCASE	1		
21	46-1145	OIL SIGHT GLASS	1		
22	24-0009	PLUG	1		
23	26-0292	LABYRINTH COVER GASKET	1		
24	46-1241	LABYRINTH COVER ELBOW	1		
25	46-1242	LABYRINTH COVER	1		
26	28-1009	LOCKWASHER	4		
27	27-8885	BOLT	4		
28	48-0086	BALL BEARING	1		
29	46-1237	CRANKSHAFT	1		
30	46-1239	CONNECTING ROD	2		
31	N/A Sep.	O-RING (SEE 70-0453)	1		
32	48-0087	BALL BEARING	1		
33	46-1240	FLANGE	1		
34	26-0246	OIL SEAL SHAFT	1		
35	28-0002	WASHER	4		
36	27-0015	BOLT	4		
37	10-0136	SHEAVE	1		
38	N/A	WASHER	1		
39	46-1238	PISTON ASSEMBLY (INC. 40-42)	1		
40	N/A Sep.	WRIST PIN (SEE 46-1237 OR 46-1238)	2		
41	N/A Sep.	PISTON (SEE 46-1237 OR 46-1238)	2		
42	N/A Sep.	SNAP RING (SEE 46-1237 OR 46-1238)	4		
43	70-0452	RING KIT (INC. 44-48)	1		
44	N/A Sep.	BOTTOM RAIL (SEE 70-0452)	2		
45	N/A Sep.	ENPANDER RING (SEE 70-0452)	2		
46	N/A Sep.	TOP RAIL (SEE 70-0452)	2		
47	N/A Sep.	PISTON RING SCRAPER (SEE 70-0452)	2		
48	N/A Sep.	PISTON RING TAPER FACE (SEE 70-0452)	2		
KIT	70-0454	VALVE PLATE (INC. 7-14)			
KIT	70-0453	GASKET (INC. 5, 15, 18, 31)			
KIT	46-1237	PISTON ASSEMBLY (INC. 40-42)			
KIT	70-0452	PISTON RINGS (INC. 44-48)			



AS1-PR07-08M / AS1-PR07-08M (sn:0-99999999)

AIR THROTTLE ASSEMBLY



Id	Item #	Description	Quantity	Rev	Comments
1	N/A	BOLT	1		
2	N/A	CLAMP	1		
3	62-0126	ADAPTER	1		

Id	Item #	Description	Quantity	Rev	Comments
4	45-0084	ENGINE THROTTLE CLIP	1		
5	33-0394	AIR THROTTLE CONTROL	1		
6	N/A	CLIP	1		