

ELITE™ SERIES

Free-Standing EPA Certified Wood-Burning Stoves

Retain These Instructions
For Future Reference

P/N 775,080M, Rev. G, 09/2007



Model CI2000HT Shown

Spectra™ Series Wood Stoves Models CI1000HT and CI2000HT

A French manual is available upon request. Order P/N 775,080CF.

Ce manuel d'installation est disponible en français, simplement en faire la demande. Numéro de la pièce 775,080CF.

These appliances must be properly installed and operated in order to prevent the possibility of a house fire. Please read this entire installation and operation manual before installing and using your wood stove. Failure to follow these instructions could result in property damage, bodily injury or even death. Contact your local building or fire officials to obtain a permit and information on any installation requirements and inspection requirements in your area.



www.nficertified.org

We recommend that our woodburning hearth products be installed and serviced by professionals who are certified in the U.S. by the National Fireplace Institute® (NFI) as NFI Woodburning Specialists or who are certified in Canada by Wood Energy Technical Training (WETT).



Tested & Listed By  Beaverton Oregon USA
OMNI-Test Laboratories, Inc.
CI1000HT Report #132-S-03-2
CI2000HT Report #132-S-05-2.



WARNINGS

- **Hot! Do not touch!** The glass and surfaces of this appliance will be hot during operation and will retain heat for a while after shutting off the appliance. Severe burns may result.
- **Carefully supervise children** in the same room as appliance.

REPLACEMENT PARTS LIST - Models: CI1000HT & CI2000HT

Item	Cat. No.	Description	Where Used
31	40M5701	Air Column Set, Left & Right (Includes Gaskets & Screws)	CI1000HT
32	40M6901	Air Column Set, Left & Right (Includes Gaskets & Screws)	CI2000HT
33	40M2301	Air Deflector (Air Wash), Upper (Includes Hardware)	CI1000HT
34	40M9801	Air Deflector (Air Wash), Upper (Includes Hardware)	CI2000HT
35	40M2101	Ashlip, Charcoal, Painted (Includes Gasket & Screws)	CI1000HT
35	40M8601	Ashlip, Charcoal, Painted (Includes Screws)	CI2000HT
36	40M3901	Ashpan Assembly	CI1000HT
36	41M0501	Ashpan Assembly	CI2000HT
	40M3601	Back, Steel Stove (Includes Hardware)	CI1000HT
	41M0301	Back, Steel Stove (Includes Hardware)	CI2000HT
37	40M5101	Baffle Assembly, ceramic fiber brick (Baffle Box)	CI2000HT
38	41M0401	Channel Assembly, Start-Up Air (Includes Gasket And Hardware)	CI2000HT
	41M0101	Clip Set, Glass (Includes 4 Ea. Gaskets, Screws & Clips)	CI1000HT & CI2000HT
39	40M2701	Collar Kit, Charcoal Replacement Flue (Includes Gasket & Hardware)	CI1000HT
40	40M9001	Collar Kit, Charcoal Replacement Flue (Includes Gasket & Hardware)	CI2000HT
3	40M0701	Door, Ashpan, Charcoal (Handle Receiver Not Included)	CI1000HT
4	40M4301	Door, Ashpan, Charcoal (Handle Receiver Not Included)	CI2000HT
1	40M1701	Door, Firebox, Charcoal (Handle Receiver Not Included)	CI1000HT
1	40M8201	Door, Firebox, Charcoal (Handle Receiver Not Included)	CI2000HT
2	40M1201	Door, Side Loading, Charcoal (Handle Receiver Not Included)	CI1000HT
2	40M7801	Door, Side Loading, Charcoal (Handle Receiver Not Included)	CI2000HT
47	40M3501	Draft Module, Air Intake (Slide Assembly) Includes Gasket & Hardware	CI1000HT
48	41M0201	Draft Module, Air Intake (Slide Assembly) Includes Gasket & Hardware	CI2000HT
12	41M3901	Firebrick, Left	CI1000HT
13	41M3801	Firebrick, Lower Rear	CI1000HT
14	41M4001	Firebrick, Right	CI1000HT
15	41M3701	Firebrick, Baffle (vermiculite)	CI1000HT
16	41M4101	Firebrick, Upper Rear	CI1000HT
5	41M5501	Firebrick, Bottom Center	CI2000HT
6	41M4901	Firebrick, Bottom Side (left or right)	CI2000HT
7	41M5001	Firebrick, Left Lower	CI2000HT
8	41M5101	Firebrick, Left Upper	CI2000HT
9	41M5401	Firebrick, Lower Rear	CI2000HT
10	41M5201	Firebrick, Right Lower	CI2000HT
11	41M5301	Firebrick, Upper Rear	CI2000HT
17	40M7201	Frame, Fuel Grate (bottom)	CI1000HT
18	40M9301	Frame, Fuel Grate (bottom)	CI2000HT

Note: The item numbers correspond to component diagrams on **Pages 26 through 30**

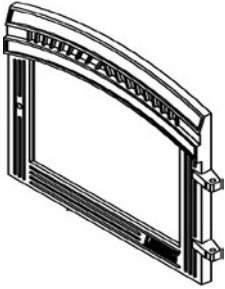
REPLACEMENT PARTS LIST - Models: CI1000HT & CI2000HT

Item	Cat. No.	Description	Where Used
	40M4501	Gasket Kit, 6 mm x 156 cm (14979) For Air Intake Slide & Glass & 4 ea. 6mm Glass Clip Gaskets (31856)	CI1000HT & CI2000HT
	40M0201	Gasket Kit, Ashpan Door Rope (8 mm Dia. X 97 cm)	CI1000HT
	40M4201	Gasket Kit, Rope (10 mm Dia. x 146cm) Ashpan Door - CI2000HT, Side & Front Firebox Door - CI1000HT	CI1000HT & CI2000HT
	40M4401	Gasket Kit, Rope (12 mm Dia. x 177 Cm) Front & Side Door CI2000HT	CI2000HT
19	40M4901	Gasket Set, Air Column, 70mm X 45mm (Also Includes Start Up Air Channel - Model CI2000HT Only)	CI1000HT & CI2000HT
	41M3601	Gasket, Flue Outlet	CI1000HT
	40M5401	Glass, Replacement, 10.39" X 14.02" (Includes Gasket)	CI1000HT
	41M0801	Glass, Replacement, 18.82" X 12.52" (Includes Gasket)	CI2000HT
20	40M4001	Grate Support Bar, Fuel	CI1000HT
21	40M1301	Grate, Ash Removal	CI1000HT
22	40M2901	Grate, Fuel	CI1000HT
23	40M9601	Grate, Fuel	CI2000HT
24	40M5301	Hinge Pin Set, Ashpan Door (Includes 2 Hinge Pins, 2 Acorn Nuts & 2 Washers)	CI1000HT & CI2000HT
25	40M4101	Hinge Pin Set, Firebox Door (Includes 2 Hinge Pins, 2 Acorn Nuts & 4 Washers)	CI1000HT
26	40M5601	Hinge Pin Set, Firebox Door (Includes 2 Hinge Pins, 2 Acorn Nuts & 4 Washers)	CI2000HT
27	40M5801	Hinge Pin Set, Side Door (Includes Hinge Pins, 2 Acorn Nuts & 2 Washers)	CI1000HT & CI2000HT
28	41M0901	Leg, Front Left, Charcoal (Includes Gasket & Hardware)	CI1000HT & CI2000HT
28	40M9501	Leg, Front Right, Charcoal (Includes Gasket & Hardware)	CI1000HT & CI2000HT
28	41M3101	Leg, Right & Left Rear, Charcoal (Includes Gasket & Hardware)	CI1000HT & CI2000HT
29	40M2801	Log Guard (With 2 Andirons)	CI1000HT
30	40M9701	Log Guard (With 3 Andirons)	CI2000HT
	40M68	Paint, Touch-Up Spray, Charcoal, 1 Spray Can	CI1000HT & CI2000HT
41	40M6201	Poker, Fire	CI1000HT & CI2000HT
42	40M5201	Receiver Assembly, Ashpan Door Handle (Includes Latch)	CI1000HT
42	40M0301	Receiver Assembly, Ashpan Door Handle (Includes Latch)	CI2000HT
42	40M1001	Receiver Assembly, Firebox Door Handle (Includes Latch)	CI1000HT & CI2000HT
42	40M3801	Receiver Assembly, Side Door Handle (Includes Latch)	CI2000HT
42	40M6101	Receiver Assembly, Side Door Handle (Includes Latch)	CI1000HT
49	41M5601	Retainer Set, Firebrick (Includes 1 Left, 1 Right & 2 Rear Firebrick Retainers & Hardware)	CI2000HT
	41M4201	Retainer, Firebrick Steel	CI1000HT
43	40M6001	Secondary Air Tube Kit (Includes Screws)	CI1000HT
44	40M0101	Secondary Air Tube Kit (Includes Screws & Washers)	CI2000HT
45	41M1001	Tool, Ashpan Removal / Air Control	CI1000HT & CI2000HT
46	40M5501	Tool, Removable Door Opener	CI1000HT & CI2000HT
	41M0601	Tube, Front Air Feed	CI2000HT

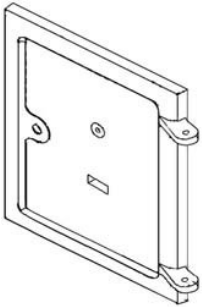
Note: The item numbers correspond to component diagrams on **Pages 26 through 30**

REPLACEMENT PARTS - Models: CI1000HT & CI2000HT

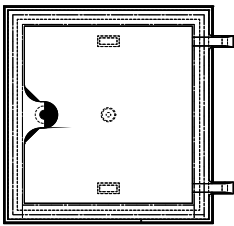
(1) Front Firebox Door
(CI1000HT & CI2000HT Series)



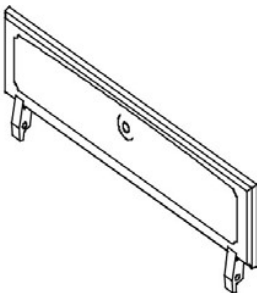
(2) Side Loading Door
(CI1000HT Series)



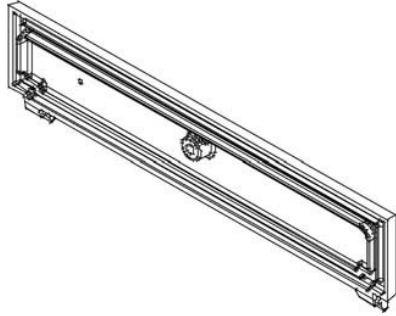
(2) Side Loading Door
(CI2000HT Series)



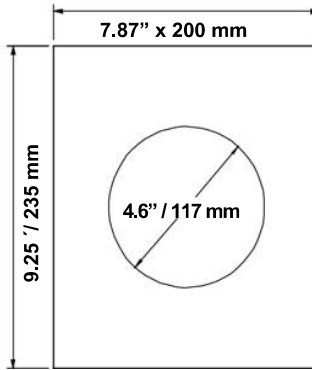
(↯3) Ashpan Door
(CI1000HT Series)



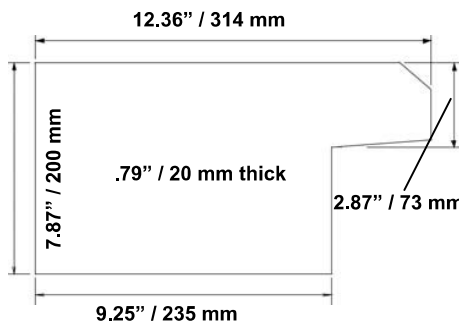
(4) Ashpan Door
(CI2000HT Series)



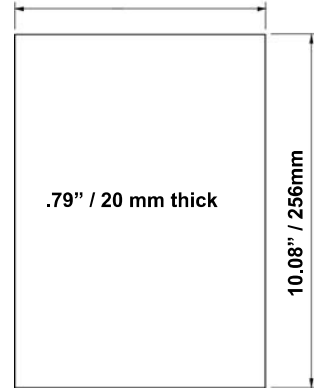
(5) Bottom Center Firebrick
(CI2000HT Series)



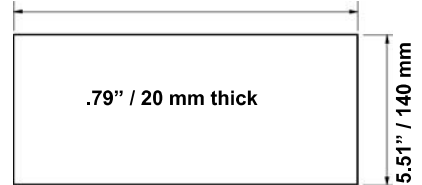
(6) Bottom Side Firebrick
(CI2000HT Series)



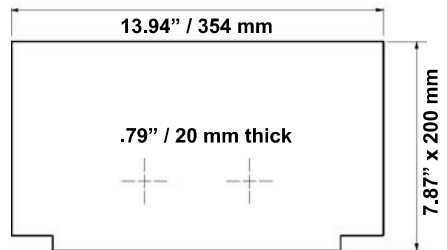
(7) Left Lower Firebrick
(CI2000HT Series)
7.87\" / 200 mm



(8) Upper Left Firebrick
(CI2000HT Series)
10.43\" / 265 mm

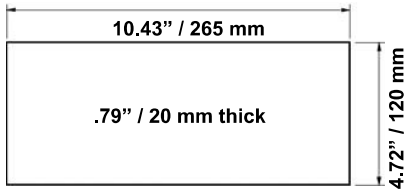


(↯9) Lower Rear Firebrick
(CI2000HT Series)

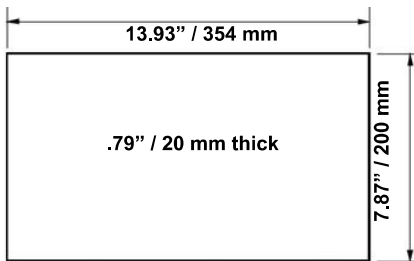


REPLACEMENT PARTS - Models: CI1000HT & CI2000HT

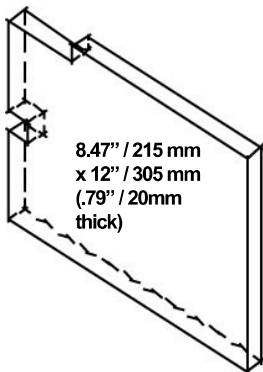
(10) Right Lower Firebrick
(CI2000HT Series)



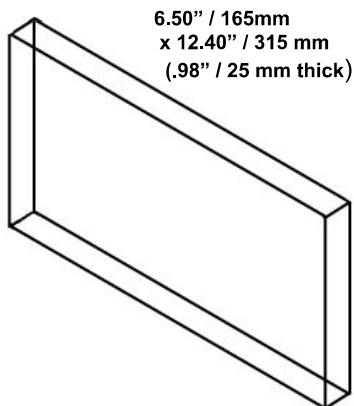
(11) Upper Rear Firebrick
(CI2000HT Series)



(12) Left Firebrick
(CI1000HT Series)

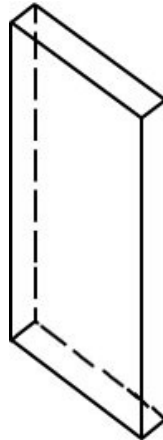


(13) Lower Rear Firebrick
(CI1000HT Series)

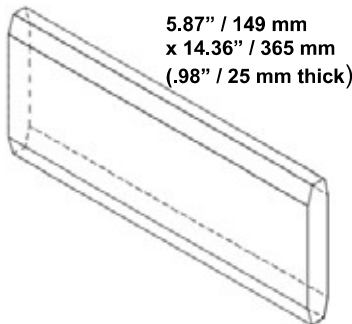


(14) Right Firebrick
(CI1000HT Series)

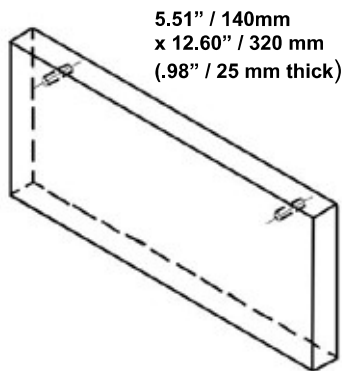
8.47\"/>



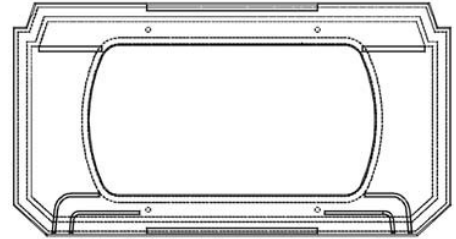
(15) Baffle Firebrick
(above tubes on ceiling)
(CI1000HT Series)



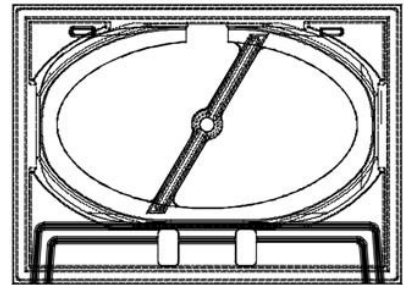
(16) Upper Rear Firebrick
(CI1000HT Series)



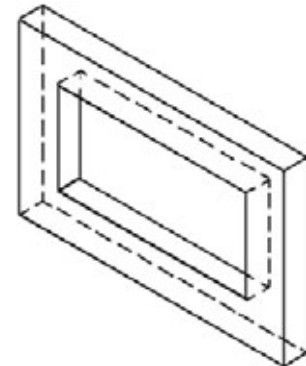
(17) Fuel Grate Frame
(CI1000HT Series)



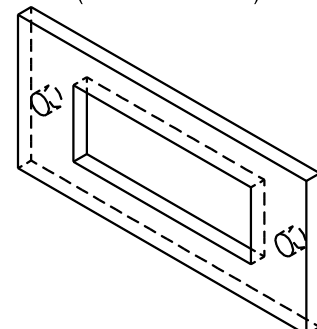
(18) Fuel Grate Frame
(CI2000HT Series)



(19) Air Column Gasket
(CI1000HT & CI2000HT Series)



(19) Start-up Air Column Gasket
(CI2000HT Series)

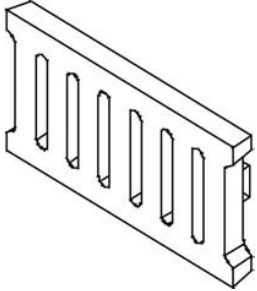


REPLACEMENT PARTS - Models: CI1000HT & CI2000HT

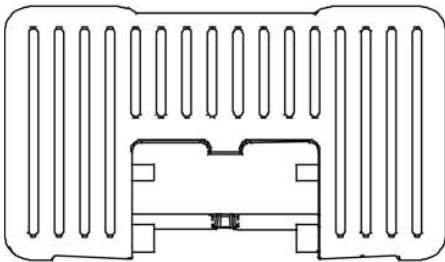
(20) Fuel Grate Support Bar
(CI1000HT Series)



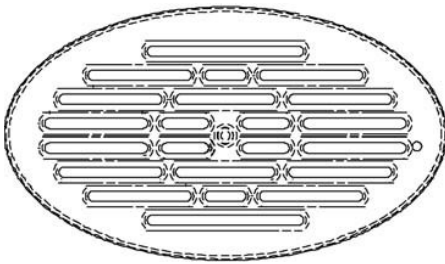
(21) Ash Removal Grate
(CI1000HT Series)



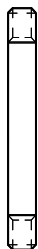
(22) Fuel Grate
(CI1000HT Series)



(23) Fuel Grate
(CI2000HT Series)



(24) Ashpan Door Hinge Pin
(CI1000HT & CI2000HT Series)



(25) Front Firebox Door Hinge Pin
(CI1000HT Series)



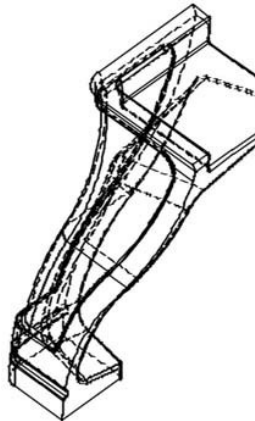
(26) Front Firebox Door Hinge Pin
(CI2000HT Series)



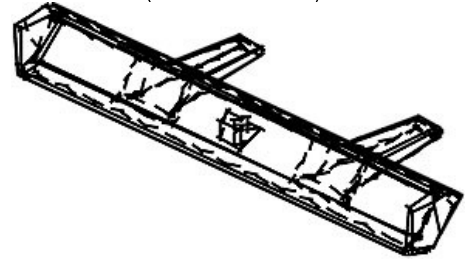
(27) Side Door Hinge Pin
(CI1000HT & CI2000HT Series)



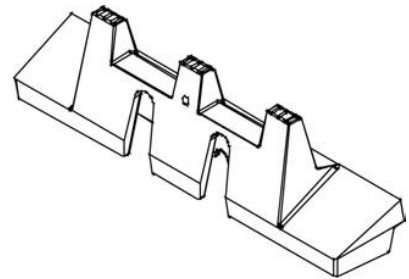
(28) Stove Leg
(CI1000HT & CI2000HT Series)



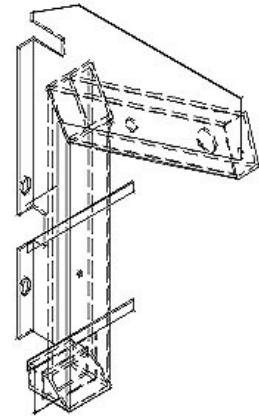
(29) Log Guard
(CI1000HT Series)



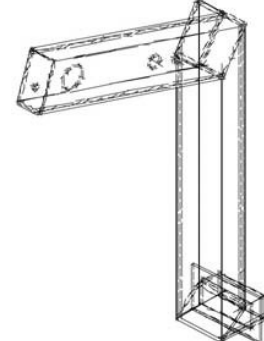
(30) Log Guard
(CI2000HT Series)



(31) Left Air Column Assembly
(CI1000HT Series)

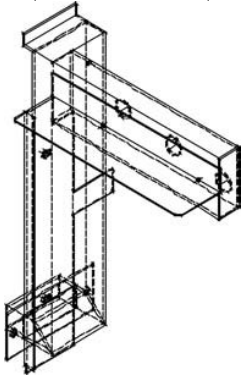


(31) Right Air Column Assembly
(CI1000HT Series)

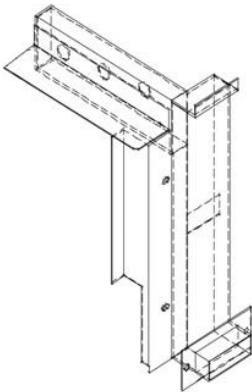


REPLACEMENT PARTS - Models: CI1000HT & CI2000HT

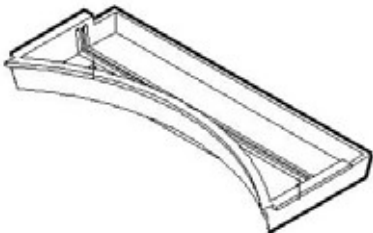
(32) Left Air Column Assembly
(CI2000HT Series)



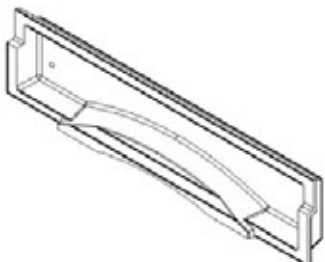
(32) Right Air Column Assembly
(CI2000HT Series)



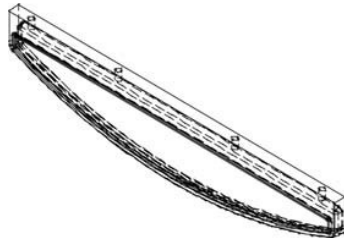
(33) Upper Air Deflector
(CI1000HT Series)



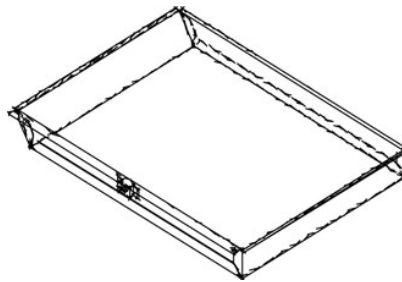
(34) Upper Air Deflector
(CI2000HT Series)



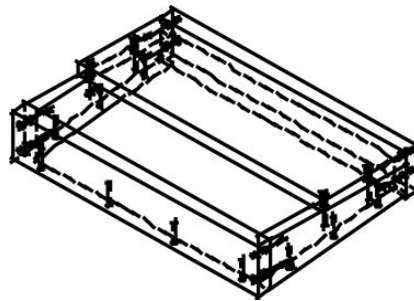
(35) Ashlip
(CI1000HT & CI2000HT Series)



(36) Ashpan
(CI1000HT & CI2000HT Series)



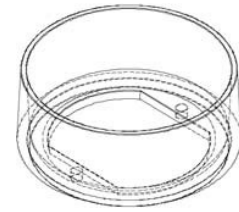
(37) Baffle Assembly, Ceramic Fiber Brick
(above secondary air tubes)
(CI2000HT Series)



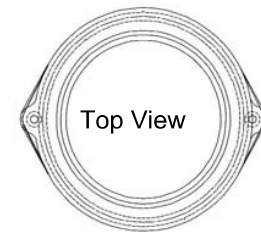
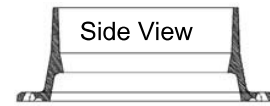
(38) Start-up Air Channel Assembly
(CI2000HT Series)



(39) Flue Outlet Collar
(CI1000HT Series)



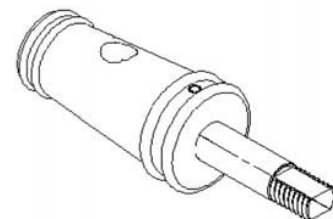
(40) Flue Outlet Collar
(CI2000HT Series)



(41) Fire Poker
(CI1000HT & CI2000HT Series)

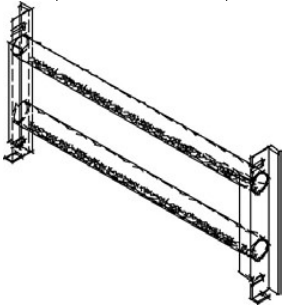


(42) Ashpan, Side Door and Firebox Door Handle Receivers
(CI1000HT & CI2000HT Series)

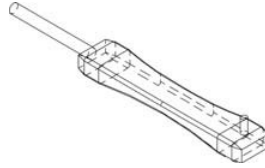


REPLACEMENT PARTS - Models: CI1000HT & CI2000HT

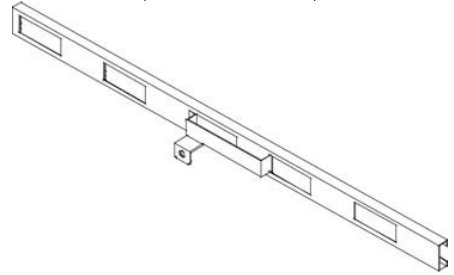
(43) Secondary Air Tube Assembly
(CI1000HT Series)



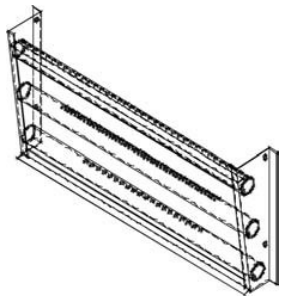
(45) Air Control/Ash Pan Removal Tool
(CI1000HT & CI2000HT Series)



(48) Draft Module (Air Intake Slide)
(CI2000HT Series)



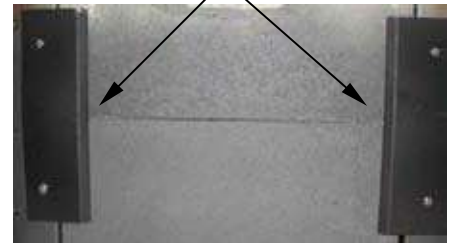
(44) Secondary Air Tube Assembly
(CI2000HT Series)



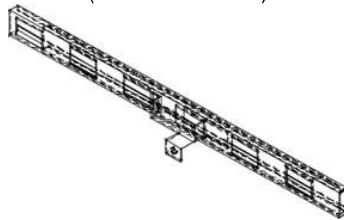
(46) Removable Door Opener Tool
(CI1000HT & CI2000HT Series)



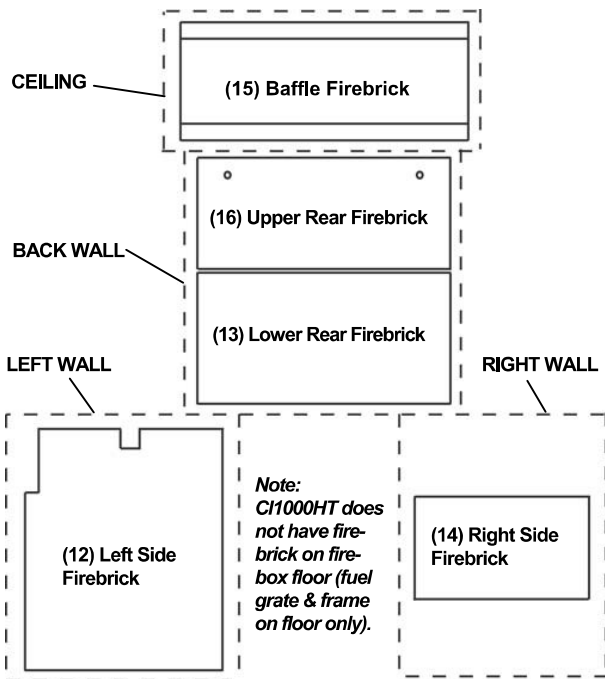
(49) Rear Firebrick Retainers
(CI2000HT Series)
Side Retainers Not Shown



(47) Draft Module (Air Intake Slide)
(CI1000HT Series)

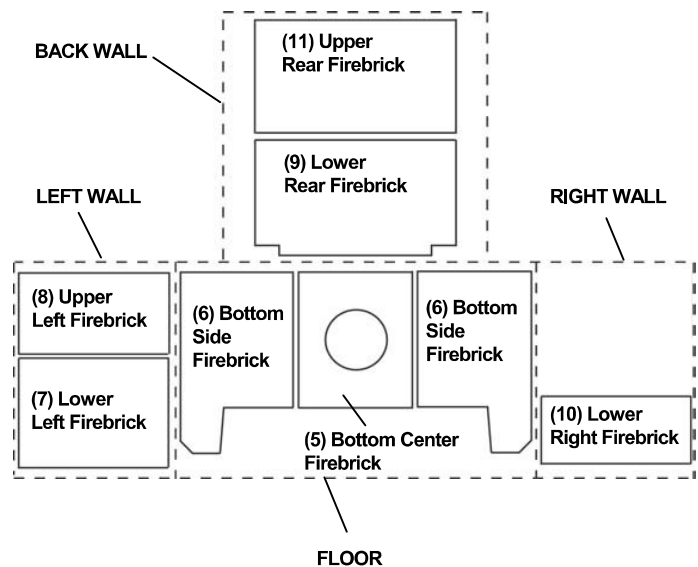


CI1000HT Firebrick Placement Diagram



CI2000HT Firebrick Placement Diagram

Note: The refractory baffle assembly (37) on ceiling (above tubes), not shown.



OPTIONAL ACCESSORIES - Models CI1000HT & CI2000HT

Catalog No.	Model	Description	Stove Model
41M2401	WTK-CI10	Window Trim Kit, Charcoal	CI1000HT
41M2001	WTK-CI20	Window Trim Kit, Charcoal	CI2000HT

