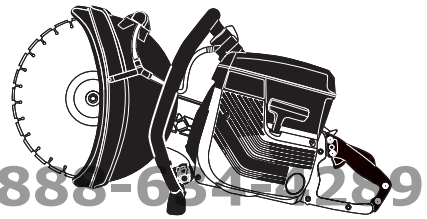


PARTNER

ConstructionParts.com



888-634-4289

IPL, KV 03 II Trolley, 2002-08, 106 25 97-62

ConstructionParts.com

KV 03 II Trolley

Reservdelar

Spare parts

Ersatzteile

Pieces de rechange

Piezas de repuesto

Ricambi

Peças

sobresselente

ConstructionParts.com

888-634-4289

106 25 97-62

PARTNER®

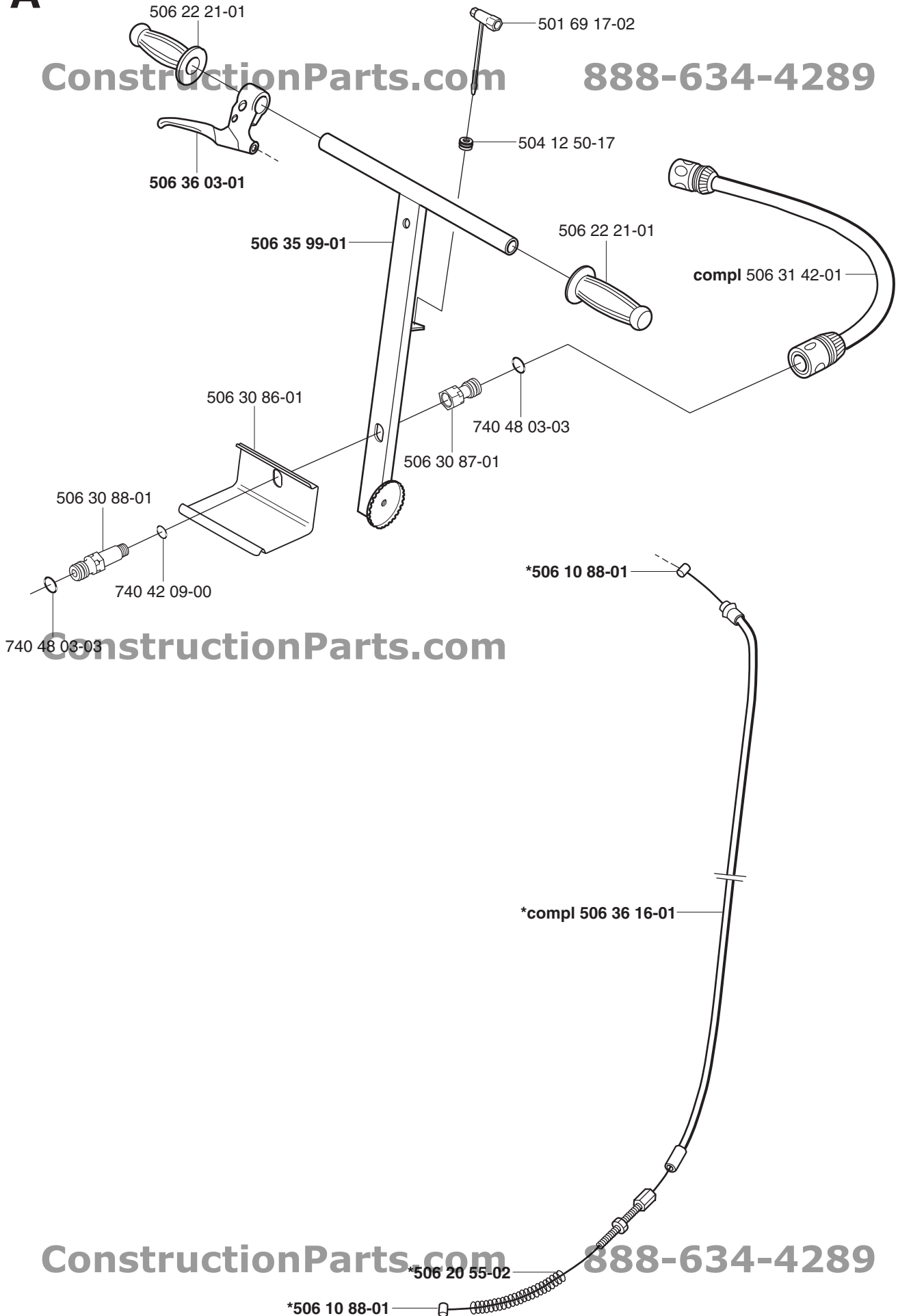
No.	Pos.	Description	No.	Pos.	Description
501 69 17-02	A	Comb tool	506 35 98-01	B	Frame
503 21 05-45	B	Screw 6,3x45	506 35 99-01	A	Handle
503 21 06-19	L	Screw 5,5x19	506 36 00-01	B	Spring
503 22 65-04	B	Nut m5	506 36 01-01	B	Stering wheel
503 26 30-21	L	O-ring	506 36 02-01	B	Counterweight
503 47 16-01	D	Buffer	506 36 03-01	A	Throttle trigger
504 12 50-17	AC	Antivibe element	506 36 04-01	K	Loop
506 09 56-02	L	Clamp	506 36 05-01	K	Arm
506 10 88-01	A	Cable retainer	506 36 06-01	J	Loop
506 13 66-02	B	Sleeve	506 36 07-01	J	Arm
506 13 97-01	B	Handle	506 36 09-01	B	Bracket compl
506 20 07-03	B	Wheel	506 36 10-01	B	Pawl
506 20 07-04	B	Wheel	506 36 11-01	B	Holder
506 20 52-01	B	Shaft	506 36 12-01	B	Nut
506 20 55-02	A	Spring	506 36 13-01	B	Nut
506 22 21-01	A	Handle	506 36 14-01	B	Stering wheel
506 29 45-01	B	Support	506 36 15-01	B	Spring
506 29 54-02	AB	Trolley kv03-2	506 36 16-01	A	Throttle wire compl
506 29 55-02	C	Kit tank kv03-2	506 36 17-01	J	Throttle kit k950
506 29 56-01	L	Nipple	506 36 18-01	K	Throttle kit k1250
506 29 57-01	L	Nipple	506 36 19-01	F	Throttle kit k2500,k30,k40
506 29 88-01	L	Screen	506 36 30-01	B	Plate
506 30 01-02	H	Kit k650,k700 active 111	506 36 31-01	H	Arm
506 30 05-01	E	Kit k2500	506 36 32-01	H	Arm
506 30 20-01	C	Decal	506 36 33-01	H	Shaft
506 30 47-01	B	Arm	506 36 34-01	B	Plate
506 30 51-02	B	Bracket	531 03 10-12	B	Washer brb 21x36x3
506 30 58-01	F	Arm	720 12 71-52	C	Split pin
506 30 61-01	F	Arm	721 61 98-01	B	Split pin
506 30 63-01	F	Nut	721 68 01-51	FH	Spring cotter
506 30 64-01	F	Nut	721 68 02-51	F	Spring cotter
506 30 65-01	F	Sleeve	723 11 34-51	F	Screw mcs 5x50
506 30 66-01	D	Holder compl	725 23 25-51	F	Screw m6s 5x10
506 30 70-01	D	Loop	725 23 29-51	BHK	Screw m6s 5x16
506 30 72-01	F	Loop	725 23 35-71	F	Screw m6s 5x30
506 30 73-01	F	Loop	725 23 68-71	EG	Screw mc6s 6x16
506 30 76-01	B	Plate	725 24 51-51	BD	Screw m6s 8x20
506 30 77-01	B	Plate	725 24 59-51	B	Screw m6s 8x40
506 30 84-01	C	Tank	725 24 65-51	B	Screw m6s 8x70
506 30 85-01	C	Tank cap	725 24 65-71	B	Screw m6s 8x70
506 30 86-01	A	Bracket	725 24 75-51	B	Screw m6s 8x120
506 30 87-01	A	Clutch	725 25 40-71	B	Screw m6s 12x40
506 30 88-01	A	Clutch	725 53 45-01	H	Screw mc6s 5x70
506 30 92-01	C	Nut	725 54 55-21	B	Screw m6s 8x30
506 30 94-01	C	Wing nut	725 54 99-21	B	Screw m6s 10x40
506 30 96-01	B	Splash guard	731 23 14-01	F	Nut m5
506 31 39-01	B	Plug	731 23 16-01	EG	Nut m6
506 31 41-01	C	Valve	731 23 18-01	B	Nut m8
506 31 42-01	A	Hose	731 23 20-51	B	Nut m10
506 31 47-01	EG	Clamp	732 21 18-01	B	Lock nut m8
506 31 57-01	EG	Bracket	732 25 14-01	F	Nut m5
506 31 58-01	EG	Bracket	734 11 52-01	B	Washer
506 31 59-01	G	Bracket	734 11 53-01	EG	Washer
506 31 60-01	G	Rod	734 11 65-41	B	Washer
506 31 77-11	L	Valve compl	734 18 09-51	B	Washer
506 31 95-01	BD	Stering wheel	735 31 09-20	B	E-ring 5
506 32 87-01	L	Tube,y	735 31 13-00	H	E-ring
506 32 89-03	L	Wet cutting kit	740 42 09-00	A	O-ring
506 34 46-01	L	Handle	740 48 03-03	A	O-ring
506 35 88-01	G	Adapter kit k30,k40	740 48 12-04	C	O-ring

A

compl 506 29 54-02

ConstructionParts.com

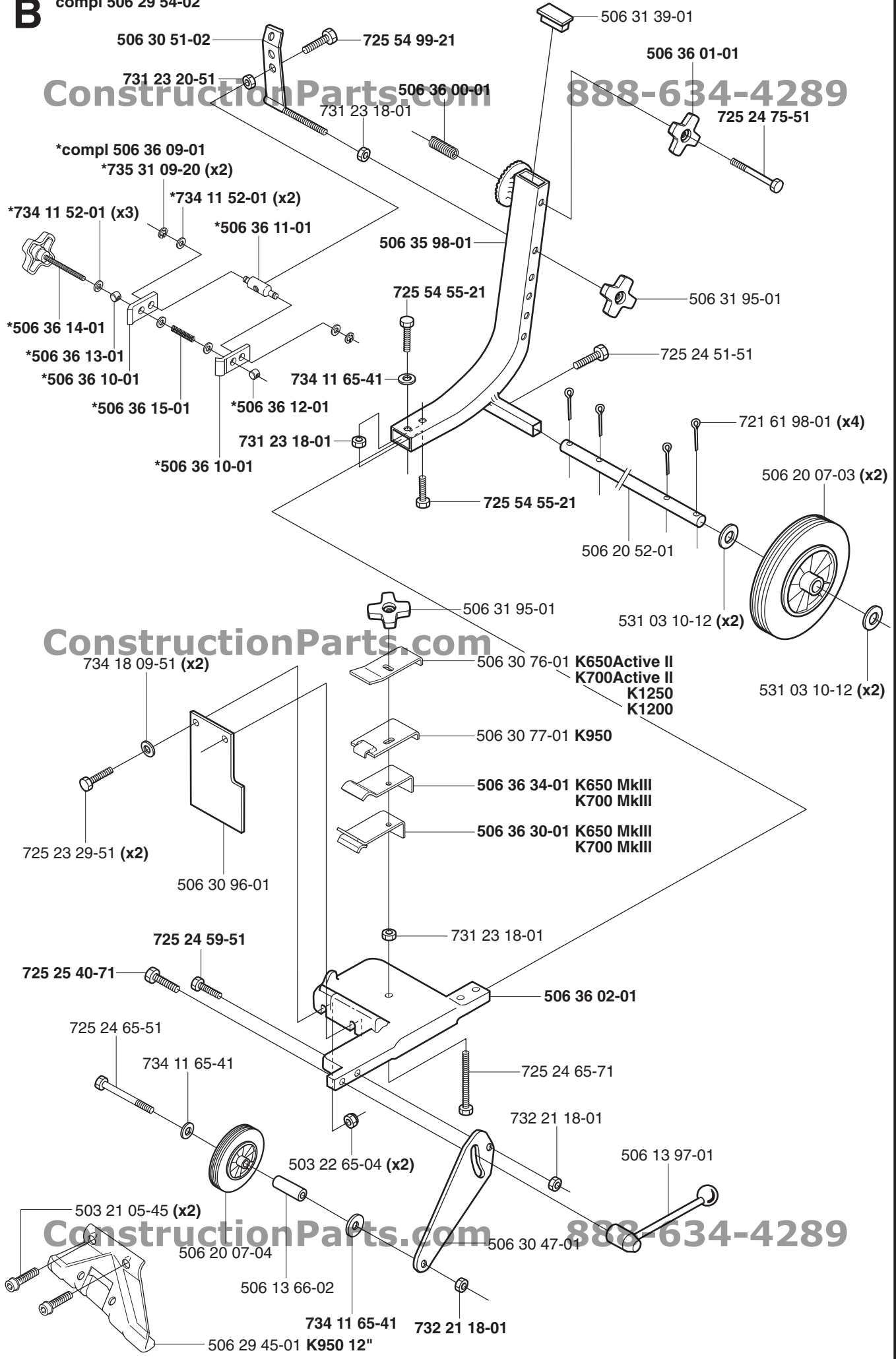
888-634-4289



ConstructionParts.com

888-634-4289

B compl 506 29 54-02



ConstructionParts.com

888-634-4289

ConstructionParts.com

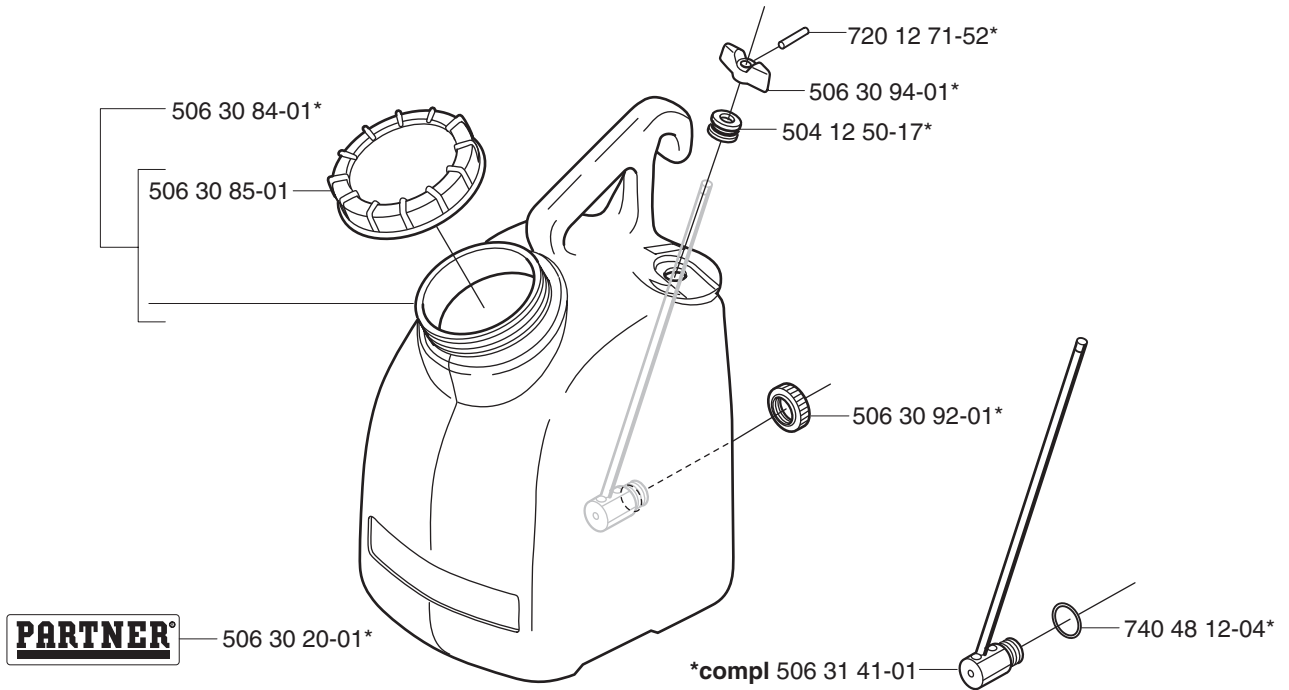
ConstructionParts.com

888-634-4289

C *compl 506 29 55-02

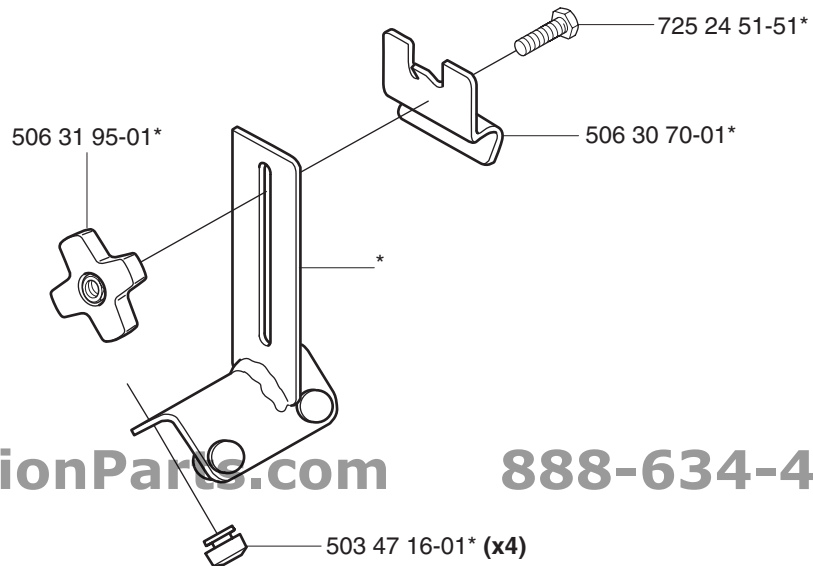
ConstructionParts.com

888-634-4289



ConstructionParts.com

D *compl 506 30 66-01



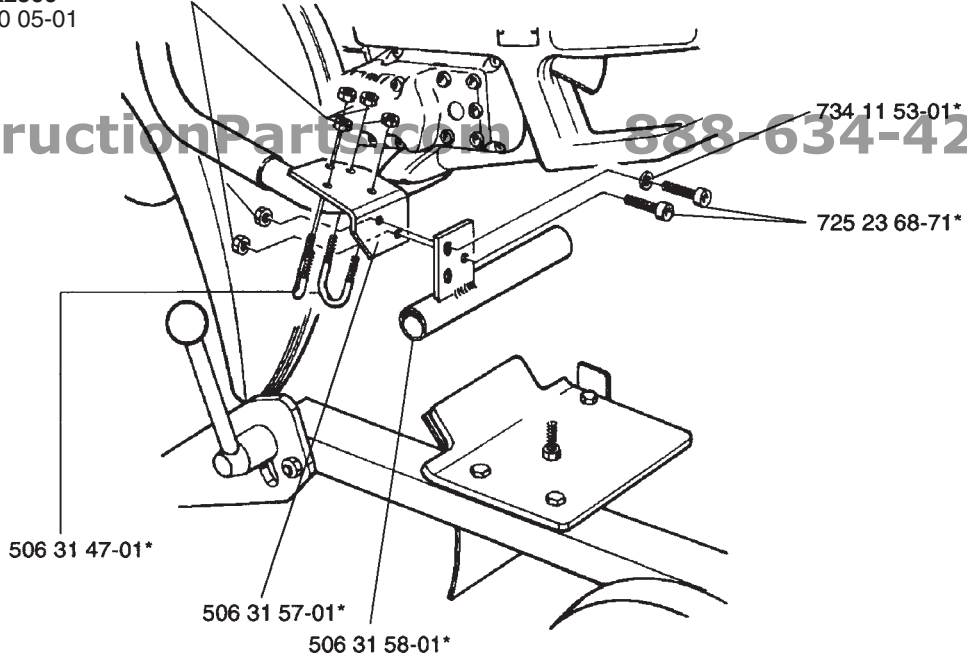
ConstructionParts.com

888-634-4289

E Adapter Kit K2500
*compl 506 30 05-01

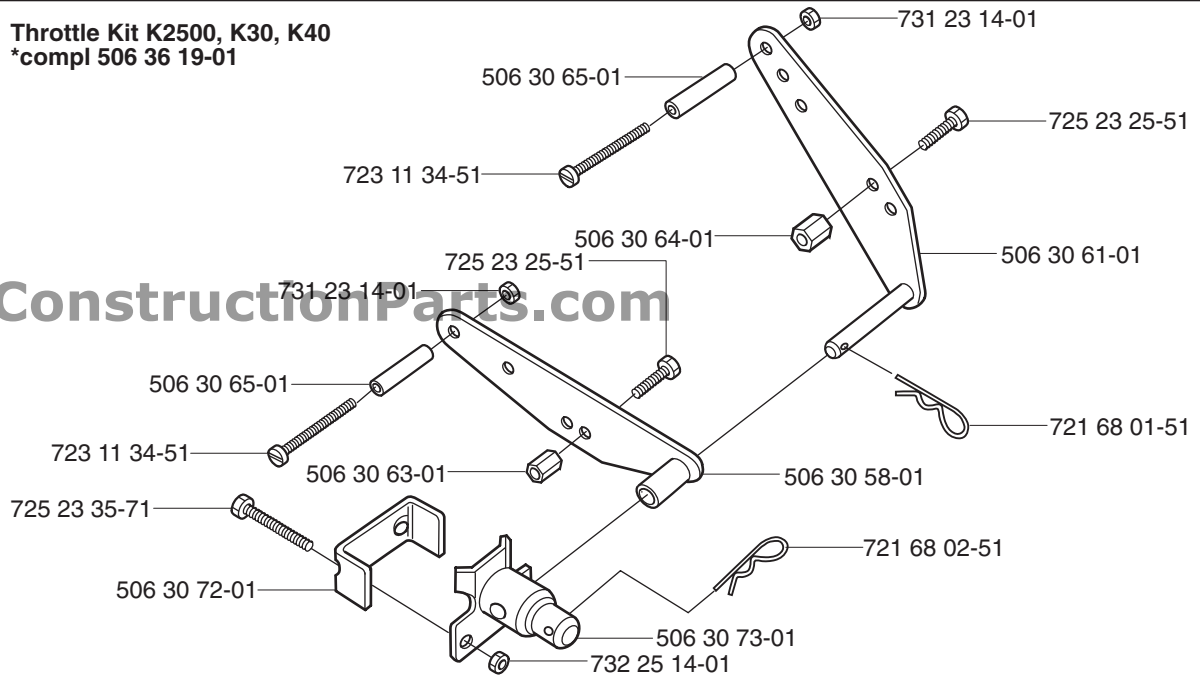
731 23 16-01*

ConstructionParts.com 888-634-4289



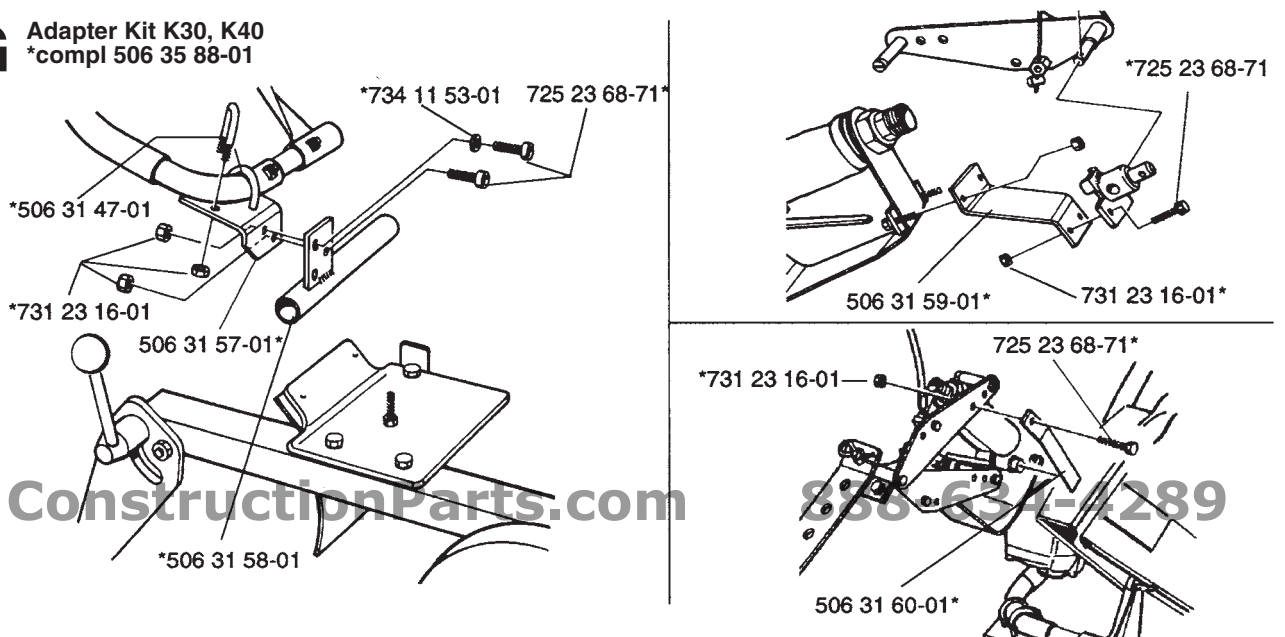
F Throttle Kit K2500, K30, K40
*compl 506 36 19-01

ConstructionParts.com



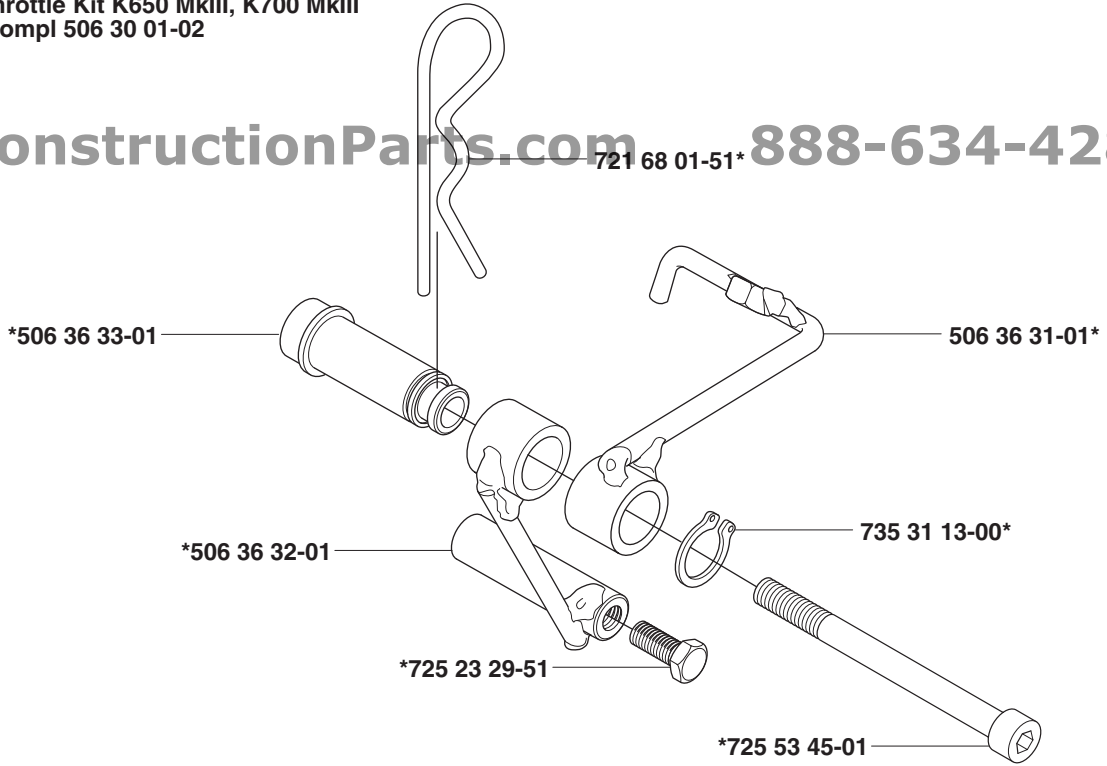
G Adapter Kit K30, K40
*compl 506 35 88-01

ConstructionParts.com



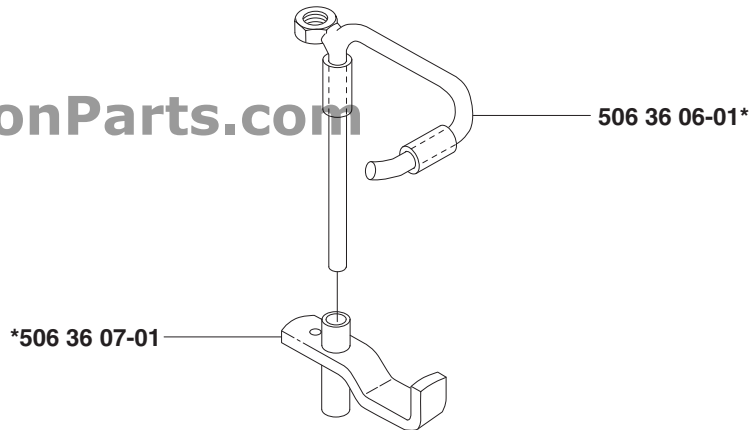
H Throttle Kit K650 MkIII, K700 MkIII
*compl 506 30 01-02

ConstructionParts.com 888-634-4289



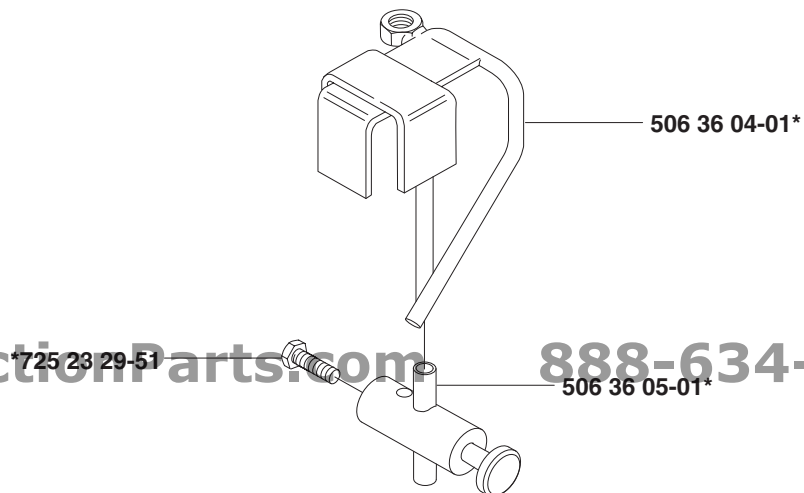
J Throttle Kit K950
*compl 506 36 17-01

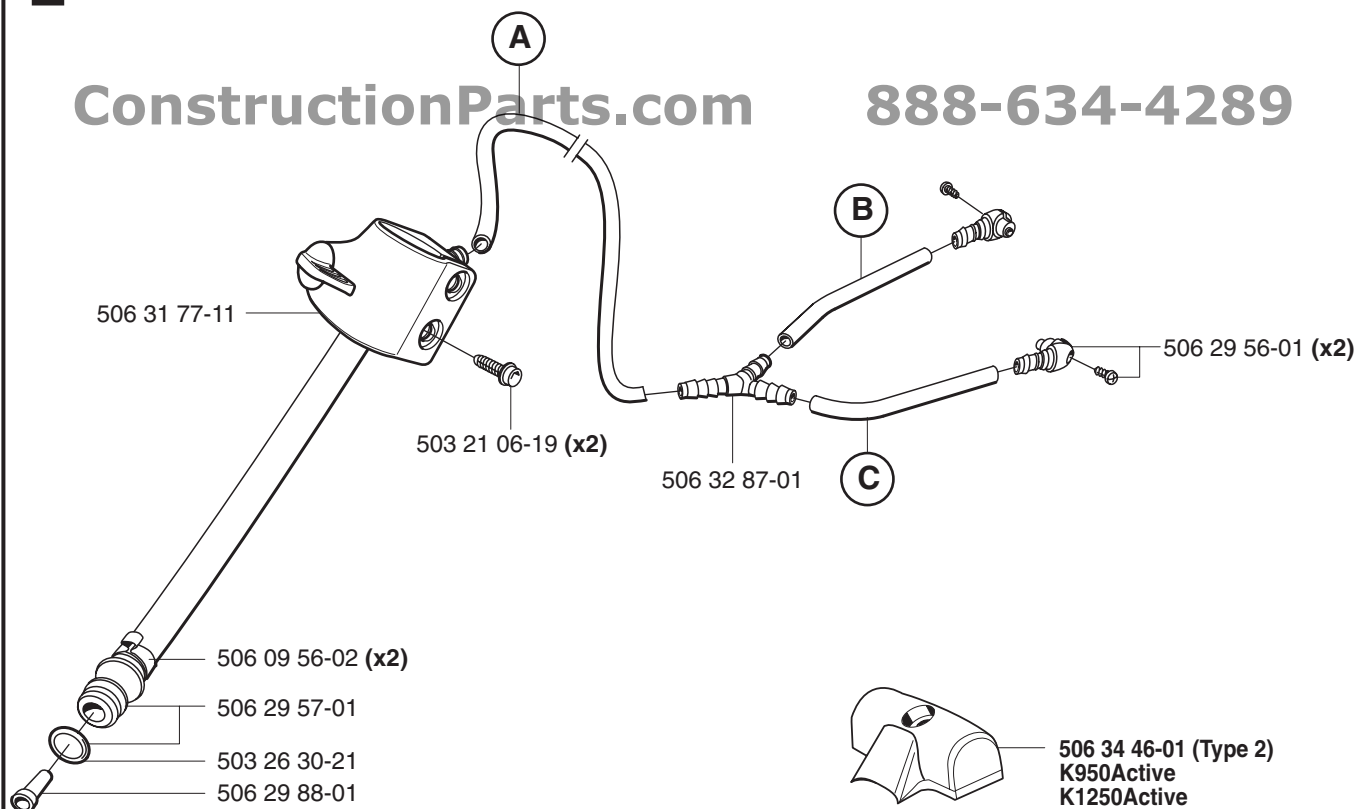
ConstructionParts.com 506 36 06-01*



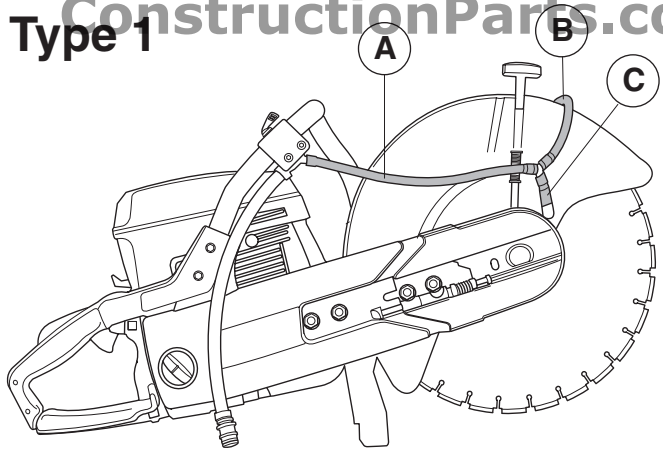
K Throttle Kit K1250
*compl 506 36 18-01

ConstructionParts.com 888-634-4289

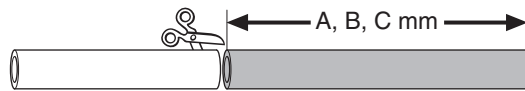
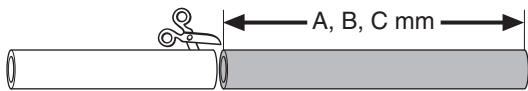
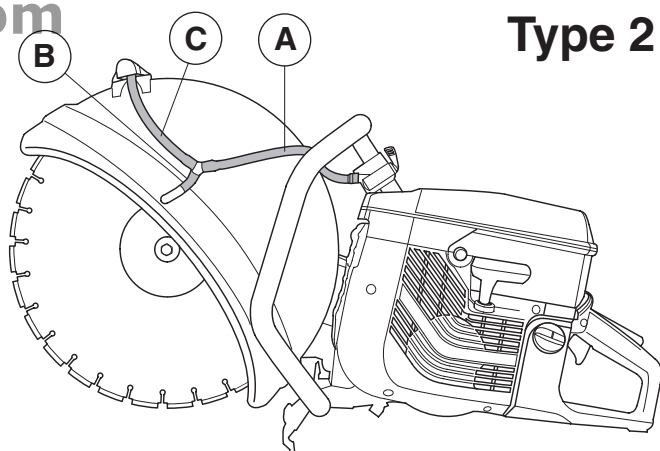




Type 1



Type 2



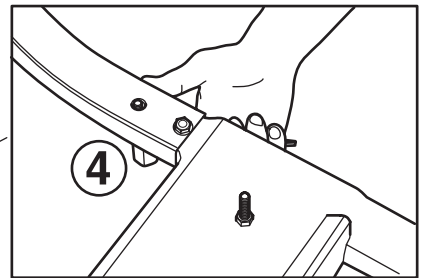
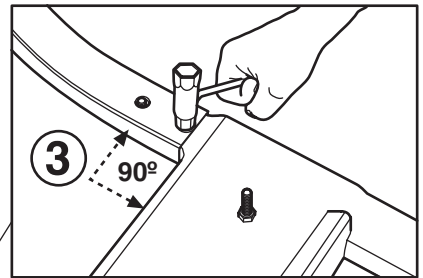
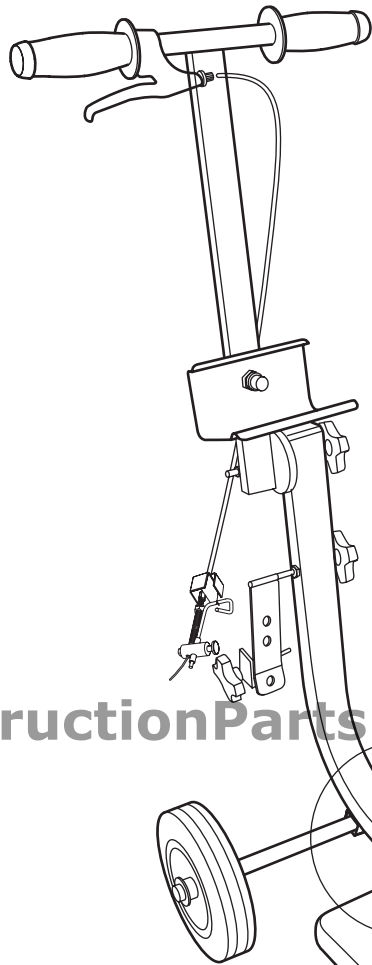
Type 1		A (mm)	B (mm)	C (mm)
K650A-II	12"	270	210	45
K700A-II	14"	270	300	45
K2500	16"	240	350	45
K30	12"	270	210	45
K40	14"	240	300	45

Type 2		A (mm)	B (mm)	C (mm)
K950A	12"	240	45	240
	14"	240	45	280
	16"	270	45	360
K1250A	14"	280	45	280
	16"	270	45	360
K650A-III	12"	240	45	240
	14"	240	45	280

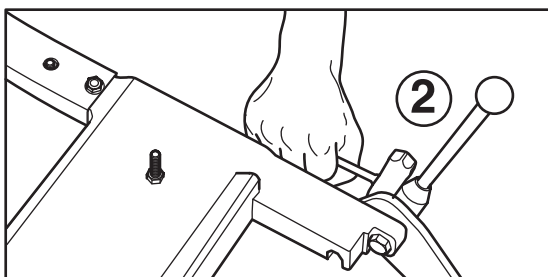
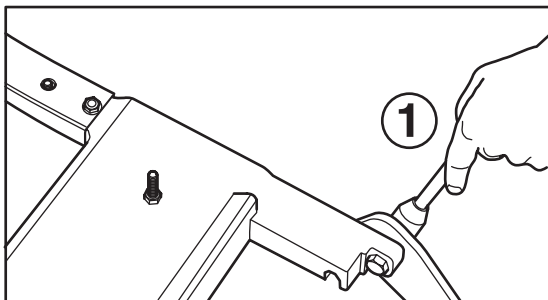
ASSEMBLY INSTRUCTION

Trolley KV03 II

ConstructionParts.com 888-634-4289
Model K K950 and K1250

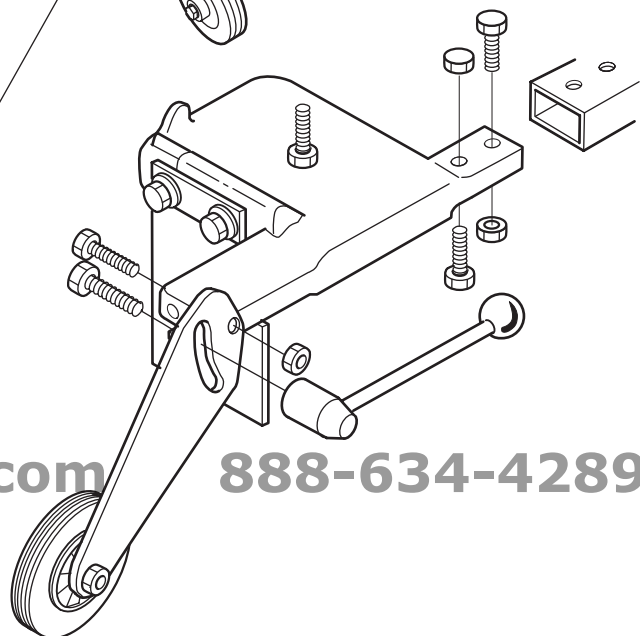


ConstructionParts.com



ConstructionParts.com

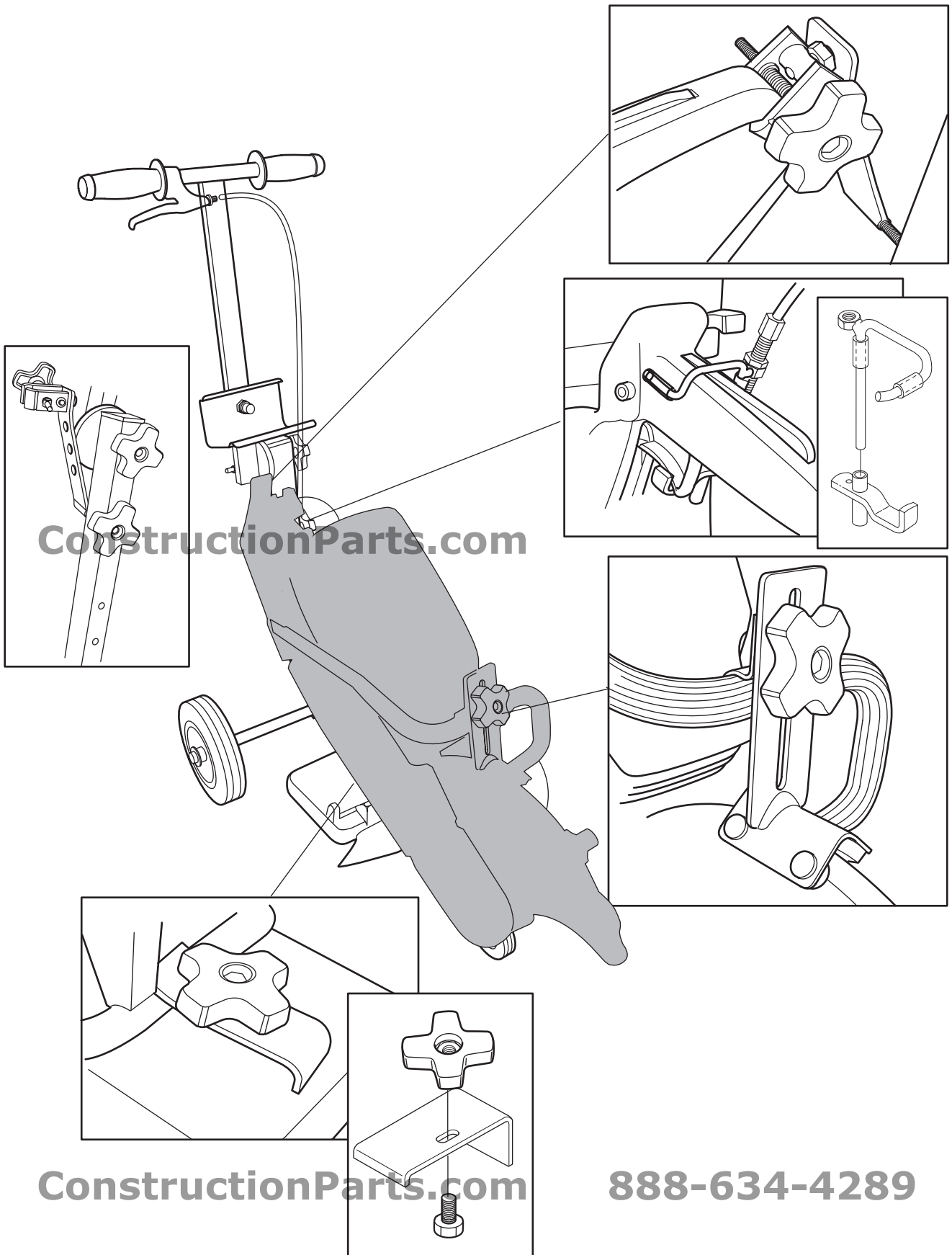
888-634-4289



Partner K950

ConstructionParts.com

888-634-4289



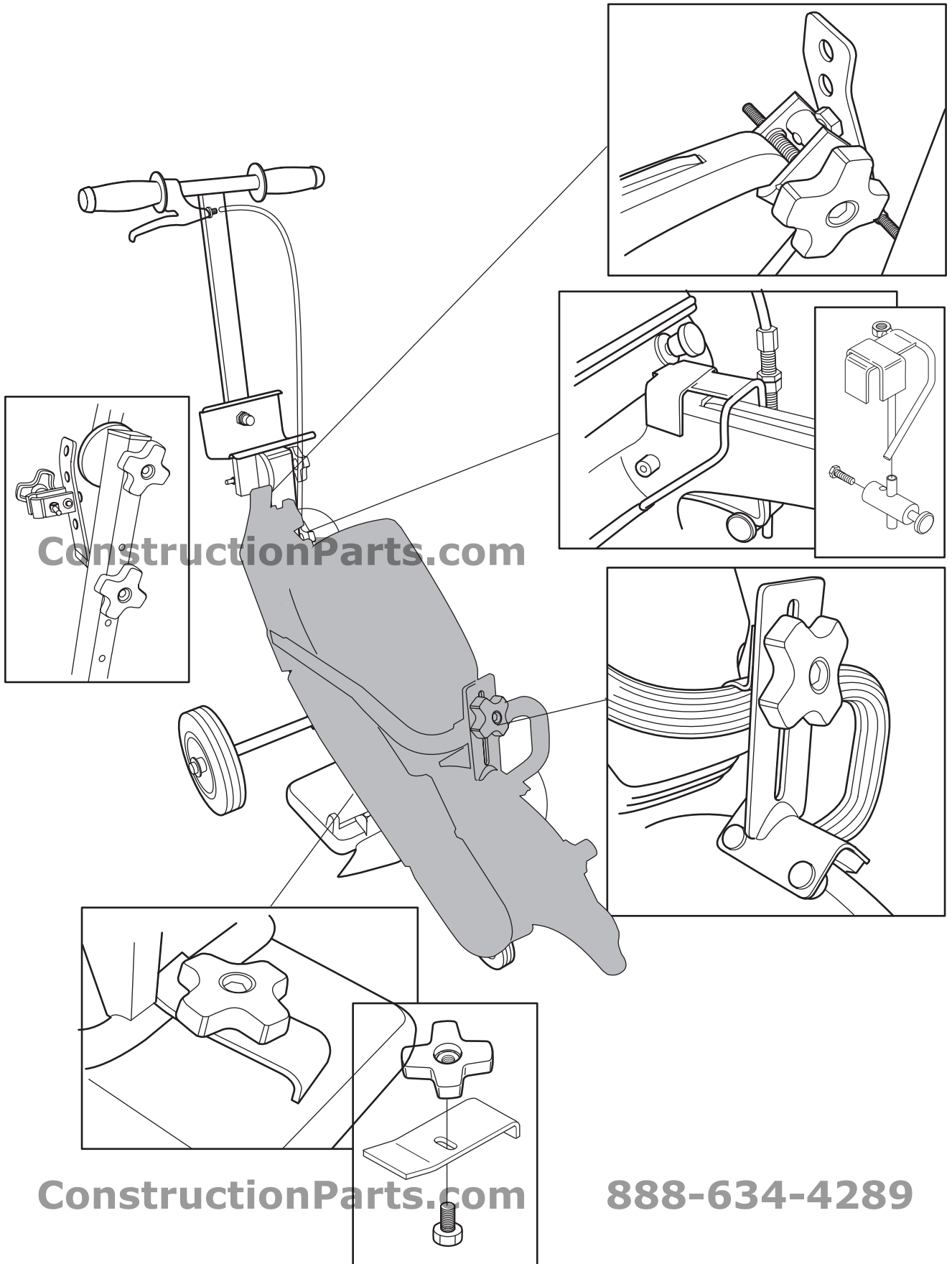
ConstructionParts.com

888-634-4289

Partner K1250

ConstructionParts.com

888-634-4289



ConstructionParts.com

888-634-4289