

CB Series

Operator's Manual



Pressure Washer



MODELS:	CB-301007D 1.106-551.0
	CB-402007A 1.106-552.0
	CB-402007B 1.106-553.0
	CB-402007C 1.106-554.0
	CB-402007H 1.106-555.0
	CB-353007A 1.106-556.0
	CB-353007B 1.106-557.0
	CB-353007C 1.106-558.0
	CB-353007G 1.106-559.0
	CB-353007H 1.106-560.0



WARNING:

This product and accessories may contain a chemical known to the State of California to cause cancer and birth defects or other reproductive harm.

For more information about this regulation: www.P65Warnings.ca.gov

Parts

CB

CB-301007D
1.106-551.0

CB-402007A
1.106-552.0

CB-402007B
1.106-553.0

CB-402007C
1.106-554.0

CB-402007H
1.106-555.0

CB-353007A
1.106-556.0

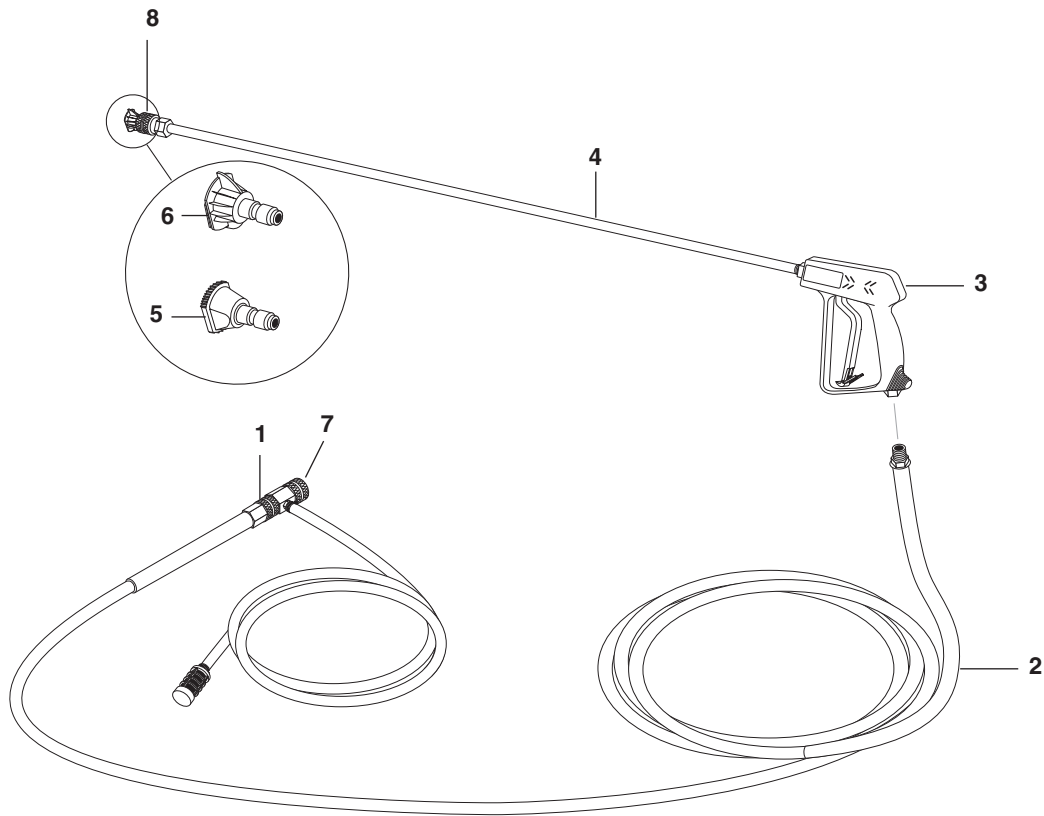
CB-353007B
1.106-557.0

CB-353007C
1.106-558.0

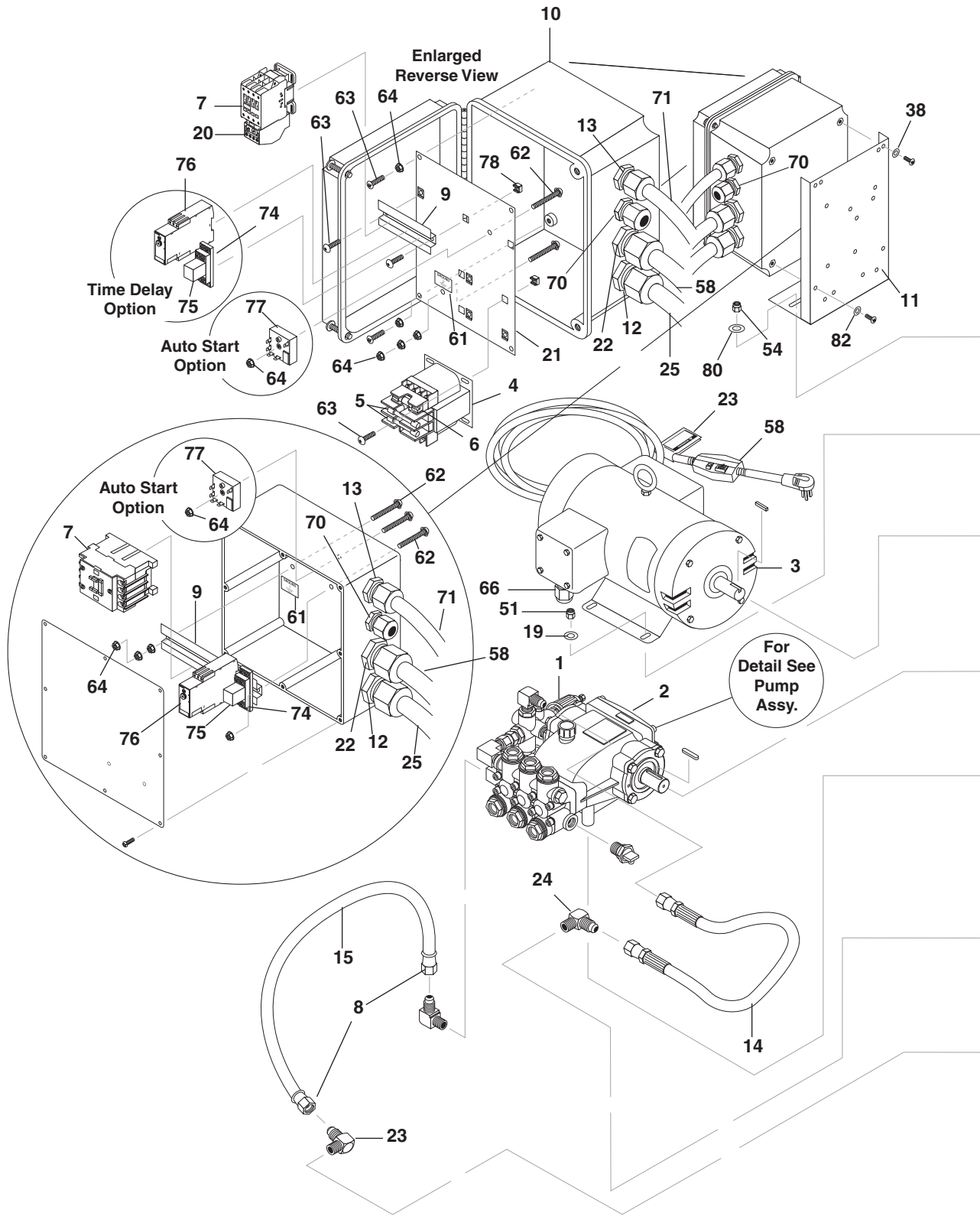
CB-353007G
1.106-559.0

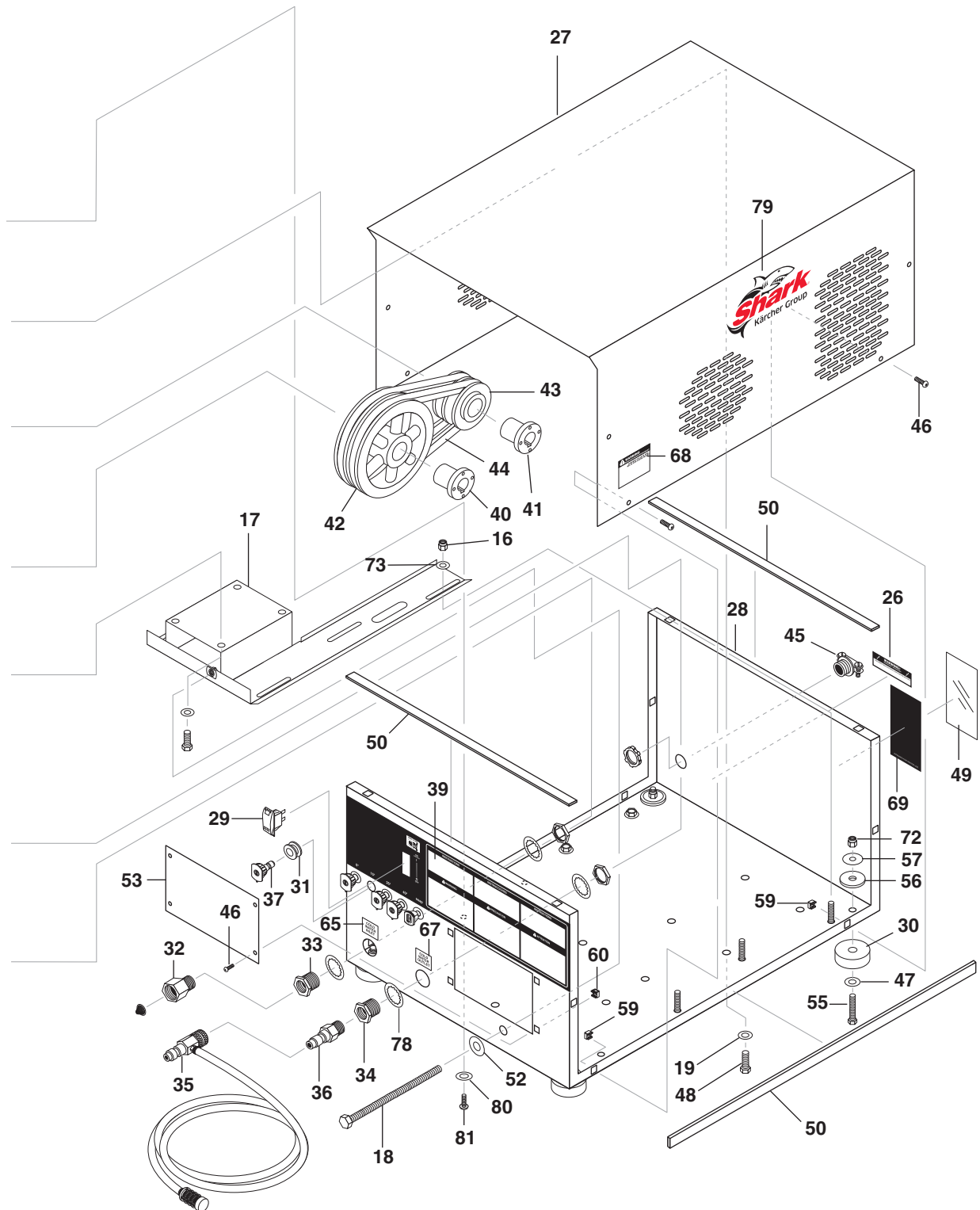
CB-353007H
1.106-560.0

Hose & Spray Gun



REF	PART NO.	QTY	DESCRIPTION	NOTES
1	9.802-166.0	1	COUPLER, 3/8" FEMALE	
-	9.802-100.0	1	QUICK COUPLER O-RING	
2	8.917-057.0	1	HOSE, 3/8" X 50', 1 WIRE	
3	8.701-384.0	1	GUN, ST-1500, 5000 10.4 GPM	
4	9.802-219.0	1	WAND W/SIDE GRIP	
5	8.712-398.0	1	NOZZLE, SOAP, BRASS	
6	-	1	NOZZLE, SEE EXPLODED VIEW PARTS LIST	
7	8.756-797.0	1	INJECTOR, CHEMICAL, NON ADJ 0.083(2.1MM)	
8	9.802-164.0	1	COUPLER, 1/4" FEMALE	
-	9.802-096.0	-	QUICK COUPLER O-RING	





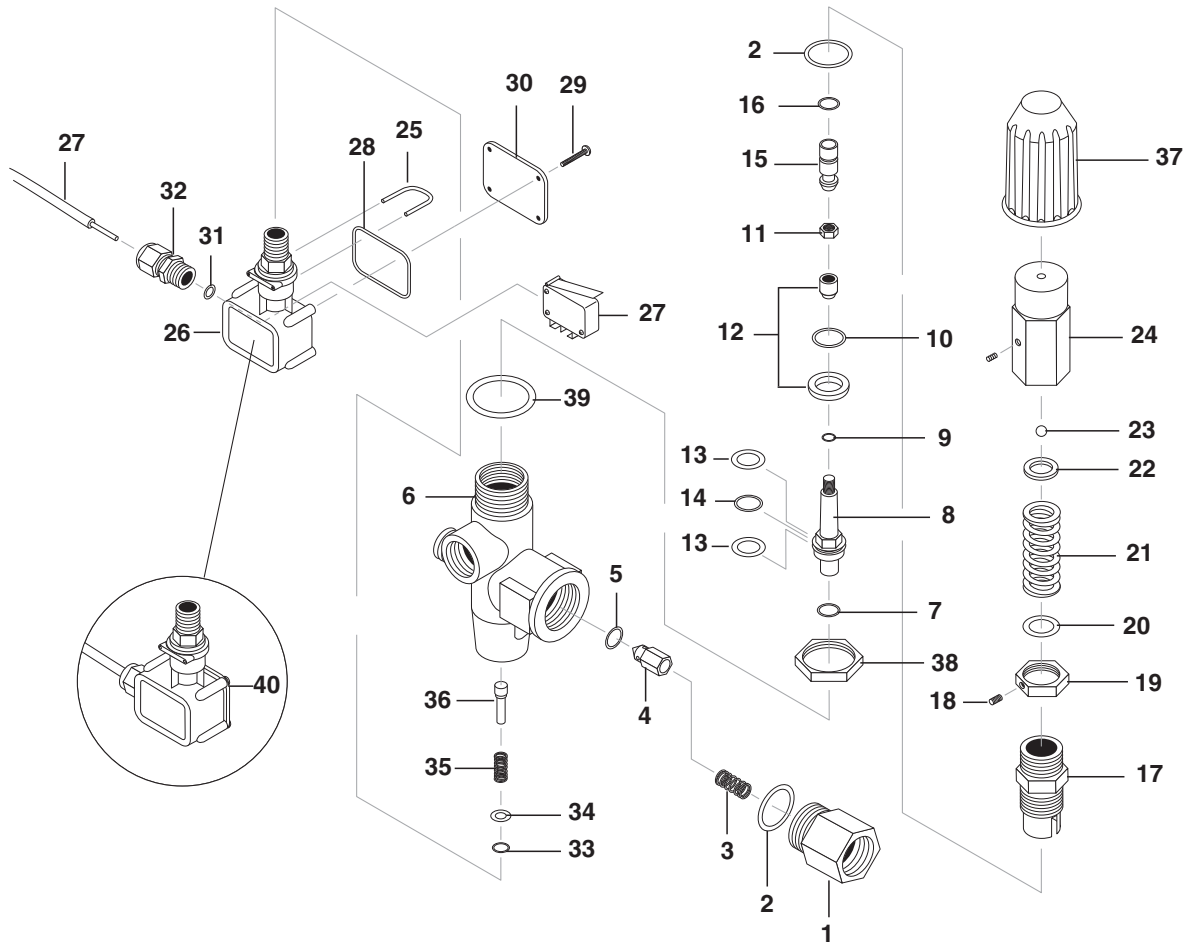
REF	PART NO.	QTY	DESCRIPTION	NOTES
1	-	-	UNLOADER	SEE SPECIFICATIONS PAGES
2	-	-	PUMP	SEE SPECIFICATIONS PAGES
3	-	-	MOTOR	SEE SPECIFICATIONS PAGES
4	9.802-551.0	1	TRANSFORMER	(552.0, 553.0, 554.0, 556.0, 557.0, 558.0)
-	9.804-556.0	1	TRANSFORMER	(555.0, 559.0, 560.0)
5	8.933-007.0	2	FUSE, ATMR, 1 AMP, 600V	(552.0, 553.0, 550.0, 556.0, 557.0, 559.0, 560.0)
-	9.802-462.0	2	FUSE, 1/2 AMP, 600V	(554.0, 558.0)
6	9.802-463.0	1	FUSE, PAPER, BUSS FNM-1/2, 250V MIDGET	
7	-	-	CONTACTOR, SEE SPECIFICATION PAGES	
8	9.802-151.0	2	SWIVEL, 1/2" JIC FEM, PUSH-ON	
9	9.802-457.0	4"	DIN RAIL, 35 MM	
10	9.802-476.0	1	BOX, PLASTIC, 10" X 8" X 6" W/LID	
-	9.802-475.0	1	BOX, PLASTIC 8" X 8" X 4"	(551.0)
11	9.803-038.0	1	BRACKET, ELECTRIC BOX SUPPORT	
12	9.802-515.0	1	STRAIN RELIEF, STRT, LQ TITE 1/2"	(551.0)
-	9.802-524.0	1	LOCKNUT, 1/2" CONDUIT	NOT SHOWN (551.0)
-	9.802-518.0	1	STRAIN RELIEF, STRT, LQ TITE 3/4"	
13	9.802-515.0	1	STRAIN RELIEF, STRT, LQ TITE 1/2"1	
-	9.802-524.0	1	LOCKNUT, 1/2" CONDUIT	
14	8.918-424.0	1	HOSE, 3/8" X 25", 2 WIRE, PRESSURE LO	
15	9.802-259.0	1 ft.	HOSE, 1/2" PUSH-ON	
16	9.802-776.0	4	NUT, 5/16" ESNA	
17	9.803-100.0	1	SLIDER, PUMP	
18	9.802-738.0	1	BOLT, 1/2" X 8"	
19	8.718-980.0	4	WASHER, 5/16", FLAT, SAE	(551.0)
-	9.802-807.0	4	WASHER, 3/8" SAE, FLAT	(552.0-560.0)
20	-	-	OVERLOAD	SEE SPECIFICATIONS PAGES
21	9.803-032.0	1	STANDOFF, ELECTRICAL BOX	(552.0-560.0)
22	9.802-518.0	1	STRAIN RELIEF, 3/4" STRT, LQ TITE	(551.0, 552.0, 553.0, 554.0, 557.0, 558.0, 560.0)
-	8.753-364.0	1	STRAIN RELIEF, 1"	(556.0, 559.0)
-	8.753-363.0	1	LOCK-NUT, 1"	NOT SHOWN
23	8.932-969.0	1	LABEL, WARN SERVICE CORD	
24	9.802-039.0	1	ELBOW, 1/2" JIC X 3/8", 90° STEEL	
25	9.802-436.0	51"	CORD, SERV, SEO, 10/3 COLEMAN, MOTOR	(552.0)
-	9.802-437.0	51"	CORD SERVICE, 10/4, MOTOR	(560.0)
-	9.802-428.0	51"	CORD, SERVICE, 12/3, MOTOR	(551.0)
-	9.802-425.0	51"	CORD, SERVICE, 8/3, MOTOR	(556.0, 559.0)
-	9.802-429.0	51"	CORD SERVICE, 12/4, MOTOR	(553.0, 554.0, 555.0, 557.0, 558.0)
26	9.800-016.0	1	LABEL, DISCONNECT POWER SUPPLY	
27	9.802-879.0	1	COVER, CABINET, COLD WATER, BLACK	

REF	PART NO.	QTY	DESCRIPTION	NOTES
28	9.802-875.0	1	BASE CABINET, COLD WATER, WRINKLE BLACK	
29	9.802-451.0	1	SWITCH, ROCKER, CARLING W/GREEN LENS	
-	9.802-452.0	1	SWITCH, ROCKER, CARLING RED	(TIME-DELAY SHUTDOWN OPTION)
30	9.802-066.0	4	PAD, SOFT RUBBER, DURO 50	
31	9.802-064.0	5	GROMMET, RUBBER	(NOZZLE HOLDER)
32	9.802-146.0	1	SWIVEL, 1/2" MP X 3/4" GHF W/STRAINER	
33	8.707-000.0	1	CONNECTOR, 1/2" ANCHOR, BRASS	
34	8.755-033.0	1	BULKHEAD, 3/8" FXF NPT, STEEL	
35	9.802-225.0	1	DOWNSTREAM INJECTOR ASSEMBLY, NON-ADJ.	
36	9.802-171.0	1	NIPPLE, 3/8" X 3/8" NPT ST MALE	
37	8.712-361.0	1	NOZZLE, 0006, RED	(552.0-555.0)
-	8.712-362.0	1	NOZZLE, 1506, YELLOW	(552.0-555.0)
-	8.712-363.0	1	NOZZLE, 2506, GREEN	(552.0-555.0)
-	8.712-364.0	1	NOZZLE, 4006, WHITE	(552.0-555.0)
-	8.712-345.0	1	NOZZLE, 0004, RED	(556.0-560.0)
-	8.712-346.0	1	NOZZLE, 1504, YELLOW	(556.0-560.0)
-	8.712-347.0	1	NOZZLE, 2504, GREEN	(556.0-560.0)
-	8.712-348.0	1	NOZZLE, 4004, WHITE	(556.0-560.0)
-	8.712-357.0	1	NOZZLE, 0005.5, RED	(551.0)
-	8.712-358.0	1	NOZZLE, 1505.5, YELLOW	(551.0)
-	8.712-359.0	1	NOZZLE, 2505.5, GREEN	(551.0)
-	8.712-360.0	1	NOZZLE, 4005.5, WHITE	(551.0)
38	8.718-858.0	4	WASHER, 1/4" FLAT RUBBER BACK, SS	
39	9.800-064.0	1	LABEL	
40	-	-	BUSHING	SEE SPECIFICATIONS PAGES
41	-	-	BUSHING	SEE SPECIFICATIONS PAGES
42	-	-	PUMP PULLEY	SEE SPECIFICATIONS PAGES
43	-	-	MOTOR PULLEY	SEE SPECIFICATIONS PAGES
44	-	-	BELT	SEE SPECIFICATIONS PAGES
45	9.802-522.0	1	STRAIN RELIEF, 1"	
46	9.802-765.0	12	SCREW, 1/4" X 1/2", BH SOC CS	
47	9.802-817.0	4	WASHER, 3/8" X 1" STEEL	
48	9.802-710.0	4	BOLT, 5/16" X 1 NC	(551.0)
-	9.802-720.0	4	BOLT, 3/8" X 1" NC, HH	(552.0-560.0)
49	9.800-034.0	1	LABEL, CLEAR LEXAN, 2-1/4" X 4-1/2"	
50	9.802-073.0	7 ft.	WEATHER STRIPPING	
51	9.802-779.0	4	NUT, 3/8" ESNA, NC	(552.0-560.0)
-	9.802-776.0	4	NUT, 5/16", ESNA, NC	(551.0)
52	9.802-800.0	1	WASHER, 1/2" FLAT	
53	9.803-081.0	1	COVER, ACCESS HOLE	

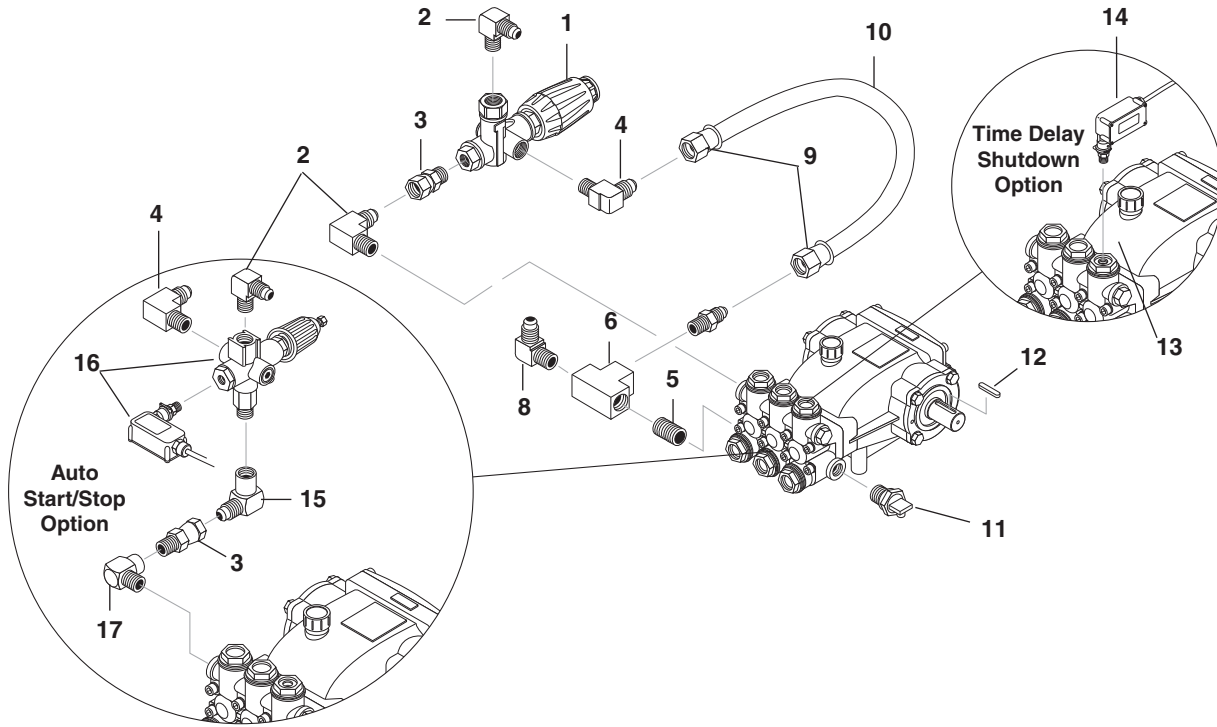
REF	PART NO.	QTY	DESCRIPTION	NOTES
54	9.802-773.0	2	NUT, 1/4", ESNA NC	
55	9.802-723.0	4	BOLT, 3/8" X 1-1/2", NC HH	
56	9.802-067.0	4	BUMPER PAD, ENGINE	
57	9.802-811.0	4	WASHER, 3/8" X 1-1/2" FENDER	
58	9.802-431.0	1	GFCI, 120V 20A W/36' 12-3 CORD	(551.0)
-	9.802-430.0	1	GFCI, 240V 1PH, 30A, 36' 10-3 CORD	(552.0)
-	9.802-434.0	1	GFCI 240V 1PH 40A, 36' 8-3 CORD	(556.0, 559.0)
-	9.802-429.0	10 ft.	CORD, SERV, SEO 12/4	(553.0, 554.0, 557.0, 558.0)
-	9.802-437.0	10 ft	CORD, SERVICE, 10/4	(560.0)
59	9.802-794.0	8	NUT, CAGE, 1/4" X 12 GAUGE	
60	9.802-074.0	4	NUT, 1/4" SQUARE HEAD GROMMET, NYLON	
61	9.800-040.0	1	LABEL, GROUND	
62	9.802-762.0	1	SCREW, 10/32" X 1-1/4" RH, SL	(552.0-560.0)
-	-	2	SCREW, 10/32" X 1-1/4" RH, SL	(551.0)
63	9.802-759.0	11	SCREW, 10/32" X 1/2" BHSOC	(552-560.0)
64	9.802-695.0	4	NUT, 10/32" KEPS	(551.0)
-	-	10	NUT, 10/32" KEPS	(552.0-560.0)
65	9.800-020.0	1	LABEL, COLD WATER INLET, HS	
66	9.803-278.0	1	STRAIN RELIEF, 3/4", LQ TITE	(551.0)
-	9.802-518.0	1	STRAIN RELIEF, STRT, LQ TITE	(552.0, 553.0, 554.0, 555.0)
-	9.803-279.0	1	STRAIN RELIEF, 1"	(553.0, 554.0, 555.0, 556.0, 559.0, 560.0)
-	9.803-280.0	1	LOCKNUT, 1"	NOT SHOWN (553.0, 554.0, 555.0, 556.0, 559.0, 560.0)
67	8.932-970.0	1	LABEL, COLD WATER OUTLET	
68	9.800-007.0	1	LABEL, WARNING, EXPOSED PULLEYS	
69	9.800-013.0	1	LABEL, INTENDED FOR INDOOR USE	
70	9.802-514.0	1	STRAIN RELIEF, SMALL, LQ TITE (TIME DELAY/ AUTO-START OPTION)	
-	9.802-524.0	1	LOCK-NUT, 1/2" CONDUIT	NOT SHOWN (TIME DELAY/AUTO- START OPTION)
71	9.802-423.0	2.5 ft.	CORD, SERVICE, SEO, 16/3	
-	9.802-424.0	2.5 ft.	CORD, SERVICE, SEO 16/4	(TIME DELAY SHUTDOWN OPTION)

REF	PART NO.	QTY	DESCRIPTION	NOTES
72	9.802-779.0	4	NUT, 3/8" ESNA	
73	8.718-980.0	4	WASHER, 5/16" FLAT	
74	9.802-467.0	1	BASE RELAY	(TIME DELAY SHUTDOWN OPTION)
75	9.802-468.0	1	RELAY	(TIME DELAY SHUTDOWN OPTION)
76	8.751-306.0	1	TIMER, MULTI-FUNCTION, 24V-120/240V	(TIME DELAY SHUTDOWN OPTION)
77	9.802-472.0	1	TIMER, SOLID STATE, 120V, 5-60 MINS, ADJUSTABLE	(AUTO START/STOP OPTION)
78	9.800-049.0	1	LABEL, MANUFACTURER'S CLEANING SOLUTION	
79	8.756-763.0	2	LABEL, SHARK LOGO DIE-CUT, LARGE	
80	9.802-802.0	8	WASHER, 1/4 " FLAT SAE ZINC	
81	9.802-700.0	4	BOLT, 1/4" X 3/4" NC HH	(6/2937)
82	9.802-791.0	6	NUT, CAGE, 10/32" X 16 GAUGE	NOT SHOWN (552.0-560.0)

9.802-362.0



REF	PART NO.	QTY	DESCRIPTION	NOTES
1	60.0058.31	1	3/8 BSP F OUTLET FITTING	
2	10.3070.02*	2	O-RING 1.78 X 18.77 MM	
3	60.0053.51	1	SPRING	
4	60.0052.31	1	CHECK VALVE	
5	10.3213.00*	1	O-RING 3 X 6 MM	
6	60.1201.35	1	VB8 BRASS BODY	
7	10.3170.08*	1	O-RING 2,62 X 7.6 MM	
8	60.1206.31	1	PISTON	
9	10.3001.01*	1	O-RING 1 X 4 MM	
10	10.3066.01*	1	O-RING 1.78 X 15.6 MM	
11	60.1205.31	1	M 6 NUT	
12	60.2221.20*	1	VB8/9 SEAT+SHUTTER	
13	10.4021.00*	2	BACK RING 11.4 X 15.9 MM	
14	10.3175.00*	1	O-RING 2.62 X 10.77 MM	
15	60.1204.31	1	SPRING GUIDE	
16	10.3167.01*	1	O-RING 2.62 X 5.23 MM	
17	60.1203.31	1	PISTON HOUSING	
18	16.2100.00	1	M 4 X 4 MM DOWEL	
19	60.1704.31	1	M 22 NUT	
20	14.3719.00	1	WASHER 9 X 15 MM	
21	60.1208.61	1	3.2 X 33 MM SPRING	
22	60.1210.31	1	UPPER FRAME	
23	14.7421.00	1	1/4" BALL	
24	60.1209.31	1	BRASS CAP	
25	29.0087.51	1	SST CLIP	
26	29.0089.84	1	PLASTIC HOUSING	
27	12.5006.00	1	EL.CABLE + MICRO SWITCH	
28	10.3206.01	1	O-RING 2.62 X 28.25 MM	
29	16.3020.00	2	2.5 X 12 MM SCREW	
30	29.0088.84	1	COVER	
31	10.3169.00	1	O-RING 2.62 X 6.02 MM	
32	29.0082.84	1	BLACK NUT-40 BAR	
33	10.3038.00	1	O-RING 1.78 X 3.68 MM	
34	14.3519.53	1	SST WASHER 4 X 8 MM	
35	60.2303.51	1	SPRING	
36	60.1281.31	1	PR 5 PIN	
37	60.1202.84	1	PLASTIC HANDLE	(60.1290.00)
38	14.3582.00	1	WASHER D. 30 MM	(60.1290.00)
39	60.2254.31	1	M 30 NUT	(60.1290.00)
40	29.0096.24	1	PR 5 PL.HOUSING KIT	
*K1	60.1212.24	1	VB8 SPARE PARTS KIT 9X1 PCS	



REF	PART NO.	QTY	DESCRIPTION	NOTES
1	8.750-299.0	1	UNLOADER, VRT3, 8 GPM @ 4500 PSI	
2	9.802-039.0	1	ELBOW, 1/2" JIC, 3/8", 90°, STEEL	
3	9.802-048.0	1	SWIVEL, 1/2" JIC X 3/8" MALE, STEEL	
4	9.802-129.0	1	ELBOW, 1/2" JIC X 3/8", BRASS	
5	8.706-790.0	1	NIPPLE, 1/2" CLOSE, BRASS	
6	8.706-844.0	1	TEE, 1/2" FEMALE PIPE, BRASS	
7	9.802-128.0	1	NIPPLE, 1/2" JIC X 1/2" MPT PIPE, BRASS	
8	9.802-131.0	1	ELBOW, 1/2" JIC X 1/2", 90° BRASS	
9	9.802-151.0	2	SWIVEL PUSH-ON, 1/2" JIC FEMALE, BRASS	
10	9.802-259.0	18"	HOSE, 1/2" PUSH-ON	
11	9.803-670.0	1	PROTECTOR, PUMP, 1/2", 190°	
12	-	-	PUMP	SEE SPECIFICATIONS PAGES
13	9.802-632.0	1	CAP, VALVE W/1/4" GAUGE PORT	(TIME DELAY SHUTDOWN OPTION) (ALL EXCEPT 300.0)
-	9.804-022.0	1	CAP, VALVE W/1/4" GAUGE PORT	(TIME DELAY SHUTDOWN OPTION 300.0)
14	9.802-458.0	1	SWITCH, PRESSURE, N/O, 1/4" NP	(TIME DELAYSHUTDOWN OPTION)
15	9.802-042.0	1	ELBOW, 1/2" JIC X 3/8 FEM, 90° STEEL	(AUTO START/STOP OPTION)
16	9.802-362.0	1	UNLOADER, PA 8 GPM @3650 PSI, VB8, W/SWITCH	(AUTO START/STOP OPTION)
17	8.706-207.0	1	ELBOW, 3/8 STREET, STEEL	

Specifications

Pump

Model #	Pump	Pump Part #	Pump Pulley	Pump Pulley Part #	Pump Bushing	Bushing Part No.	Size	Voltage/ph	HZ
1.106-551.0	SB3030R	8.923-781.0	AK74H	9.802-369.0	24MM	9.802-402.0	2HP	120V/1PH	60
1.106-552.0	SM4035R.3	8.922-680.0	2AK74H	9.802-369.0	24MM	9.802-402.0	6.2HP	230V/1PH	60
1.106-553.0	SM4035R.3	8.922-680.0	2AK74H	9.802-369.0	24MM	9.802-402.0	6.2HP	230V/3PH	60
1.106-554.0	SM4035R.3	8.922-680.0	2AK74H	9.802-369.0	24MM	9.802-402.0	6.2HP	460V/3PH	60
1.106-555.0	SM4035R.3	8.922-680.0	2AK74H	9.802-369.0	24MM	9.802-402.0	6.2HP	208V/3PH	60
1.106-556.0	SM4035R.3	8.922-680.0	2BK80H	8.715.592.0	24MM	9.802-402.0	7.5HP	230V/1PH	60
1.106-557.0	SM4035R.3	8.922-680.0	2BK80H	8.715.592.0	24MM	9.802-402.0	7.5HP	230V/3PH	60
1.106-558.0	SM4035R.3	8.922-680.0	2BK80H	8.715.592.0	24MM	9.802-402.0	7.5HP	460V/3PH	60
1.106-559.0	SM4035R.3	8.922-680.0	2BK80H	8.715.592.0	24MM	9.802-402.0	7.5HP	208V/1PH	60
1.106-560.0	SM4035R.3	8.922-680.0	2BK80H	8.715.592.0	24MM	9.802-402.0	7.5HP	208V/3PH	60

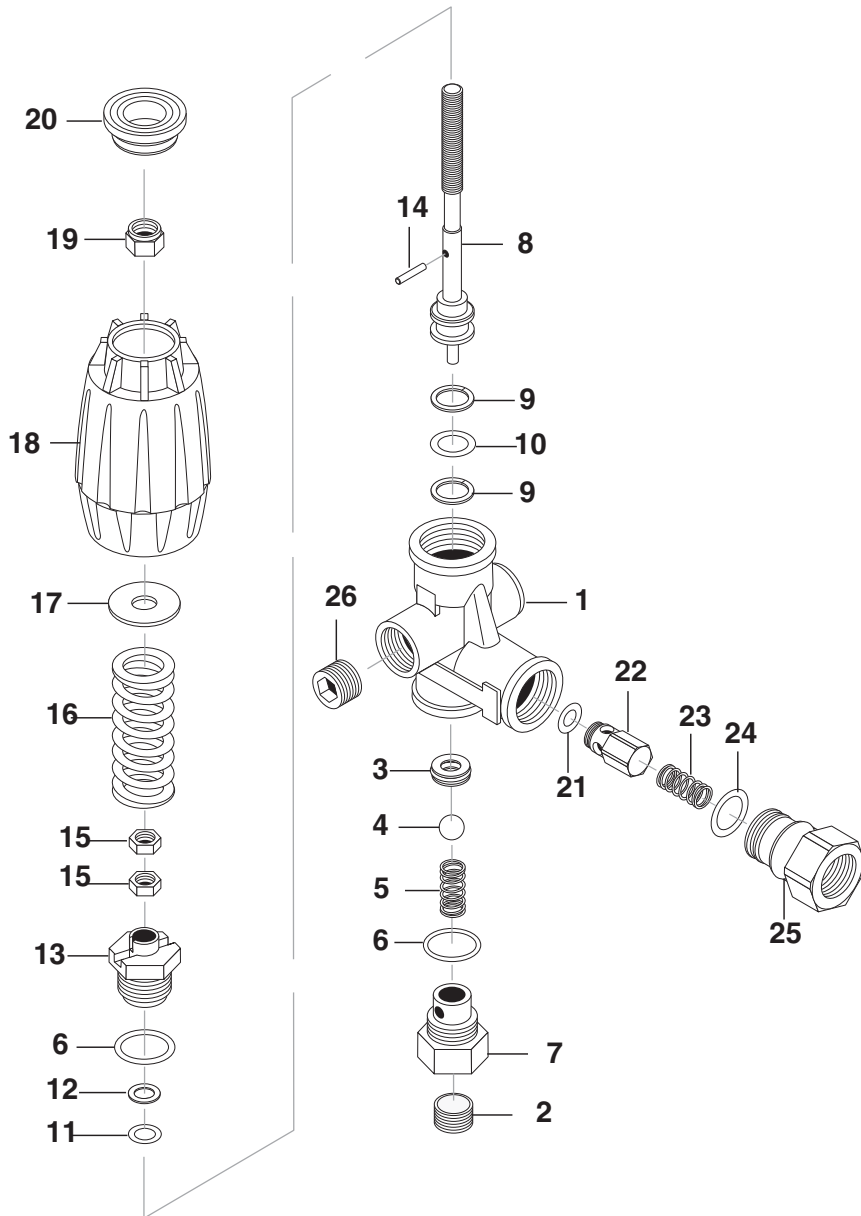
Motor

Model #	Motor Part #	Motor Pulley	Motor Pulley Part #	Motor Bushing	Motor Bushing Part #	Belt Size	Belt Part #	Contactora Part #	Overload Part #
551	8.754-710.0	AK32x5/8	9.804-004.0	N/A	N/A	AX40 (1)	9.804-005.0	8.724-268.0	N/A
552	9.802-336.0	2AK56H	9.802-373.0	HX1-1/8"	9.802-400.0	AX42 (2)	9.802-411.0	8.724-276.0	N/A
553	8.751-004.0	2AK56H	9.802-373.0	HX1-1/8"	9.802-400.0	AX42 (2)	9.802-411.0	8.724-268.0	8.724-304.0
554	8.751-004.0	2AK56H	9.802-373.0	HX1-1/8"	9.802-400.0	AX42 (2)	9.802-411.0	8.724-268.0	8.724-303.0
555	8.756-426.0	2AK56H	9.802-373.0	HX1-1/8"	9.802-401.0	AX42 (2)	9.802-411.0	8.724-268.0	8.724-304.0
556	8.715-097.0	2BK52H	9.802-386.0	HX1-3/8"	9.802-401.0	BX43 (2)	9.802-420.0	8.724-276.0	8.724-306.0
557	8.755-604.0	2BK50H	8.751-583.0	HX1-3/8"	9.802-401.0	BX43 (2)	9.802-420.0	8.724-268.0	8.724-304.0
558	8.755-604.0	2BK50H	8.751-583.0	HX1-3/8"	9.802-401.0	BX43 (2)	9.802-420.0	8.724-268.0	8.724-312.0
559	9.802-332.0	2BK52H	9.802-386.0	HX1-3/8"	9.802-401.0	BX43 (2)	9.802-420.0	8.724-276.0	8.724-306.0
560	8.755-606.0	2BK50H	8.715-583.0	HX1-3/8"	9.802-401.0	BX43 (2)	9.802-420.0	8.724-268.0	8.724-305.0

8.750-297.0, 8 GPM, 2320 PSI

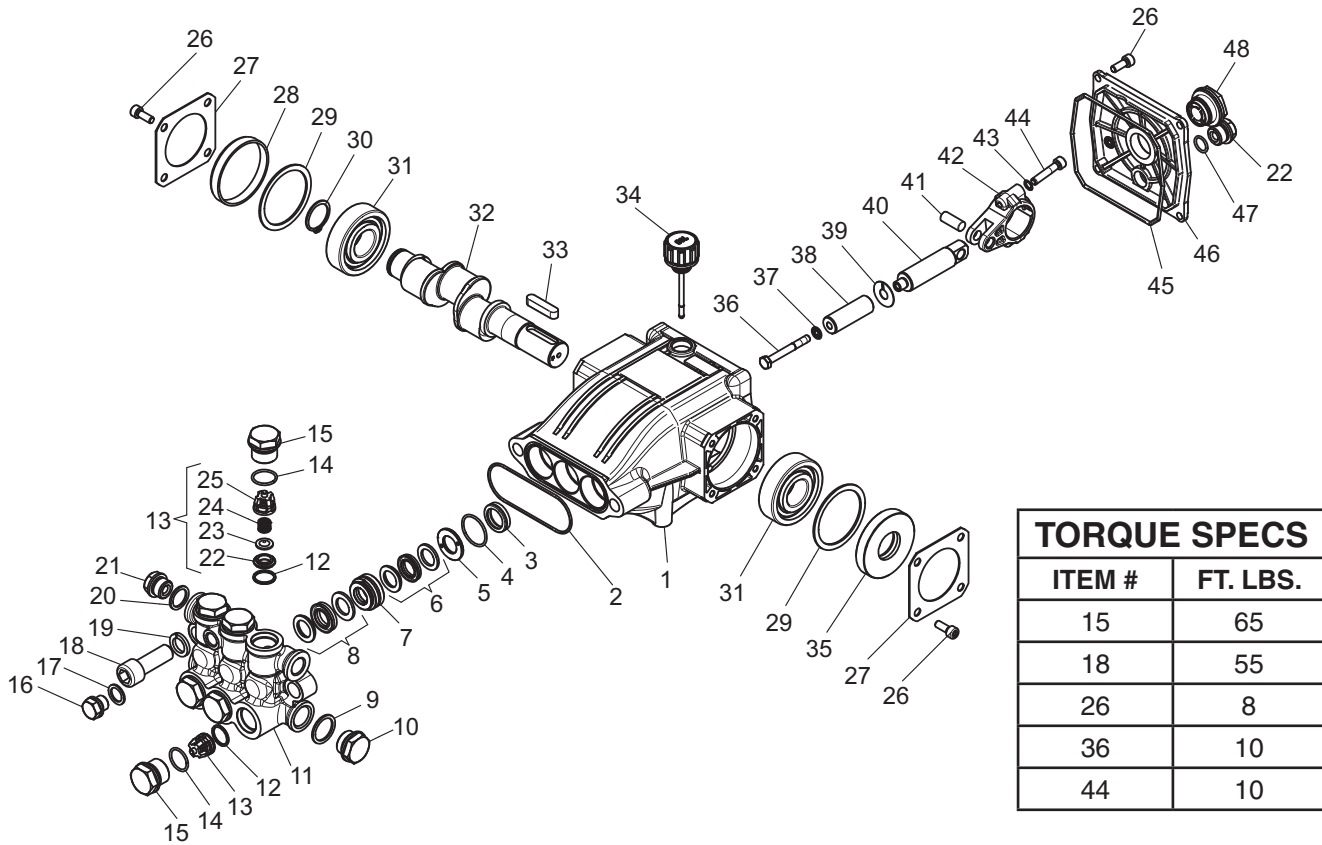
8.750-298.0, 8 GPM, 3630 PSI

8.750-299.0, 8 GPM, 4500 PSI



REF	PART NO.	QTY	DESCRIPTION	NOTES
25	8.750-713.0	1	OUTLET FITTING	
18	8.750-712.0	1	KNOB, UNLOADER	
-	8.750-709.0	-	REPAIR KIT, VRT3, 2320/3630 PSI	
-	8.750-710.0	-	REPAIR KIT, VRT3, 4500 PSI	
-	-	-	(KIT ITEMS: 3, 4, 6, 9-12, 21, 24)	

SB Series Pump



TORQUE SPECS	
ITEM #	FT. LBS.
15	65
18	55
26	8
36	10
44	10

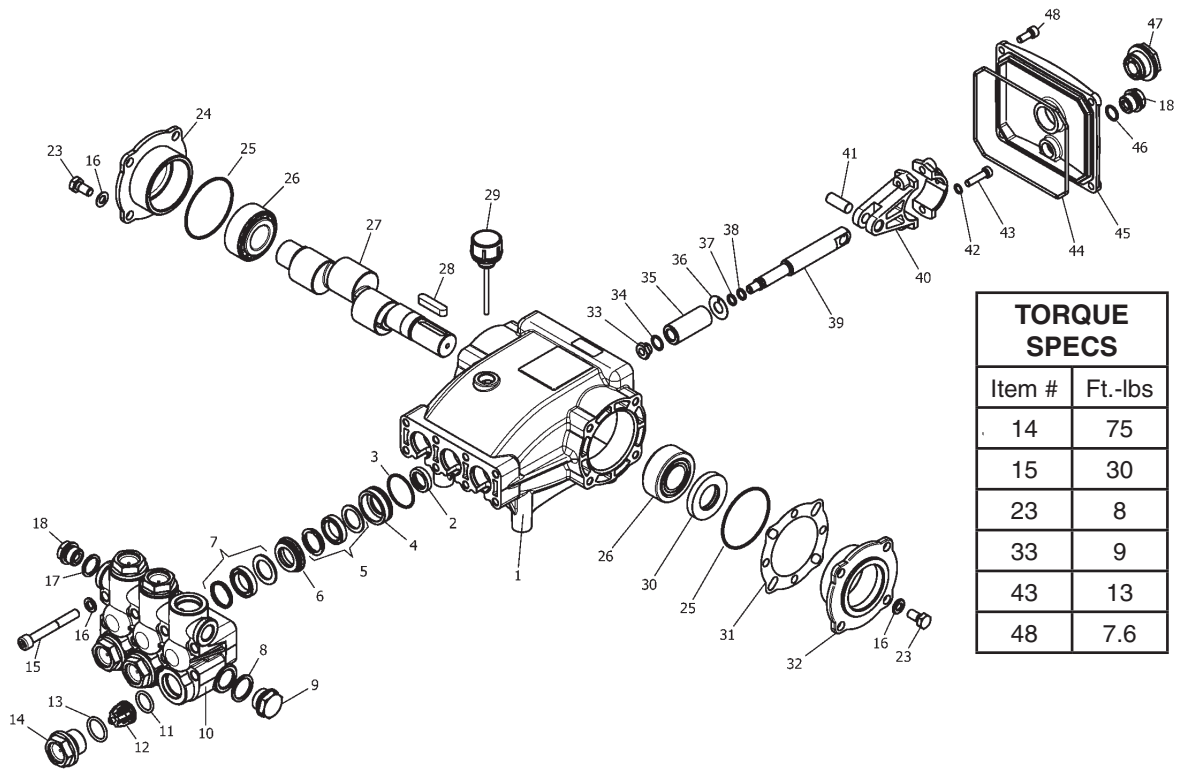
REF	PART NO.	QTY	DESCRIPTION	NOTES
1	8.754-841.0	1	CRANKCASE	
2	8.754-846.0	1	O-RING Ø1.78 X 72.75	
3	-	3	PLUNGER OIL SEAL	SEE KITS TABLE
4	-	3	O-RING Ø1.78 X 26.7	SEE KITS TABLE
5	-	3	WASHER, PRESSURE RING 16 MM	SEE KITS TABLE
6	-	3	U-SEAL, 16 MM	SEE KITS TABLE
7	-	3	PRESSURE RING, 16 MM	SEE KITS TABLE
8	9.803-199.0	3	U-SEAL, 16 MM	SEE KITS TABLE
9	9.803-199.0	1	WASHER, COPPER G1/2	
10	9.802-926.0	1	PLUG, BRASS G1/2	
11	8.754-852.0	1	MANIFOLD	
12	8.717-233.0	6	O-RING Ø1.78 X 15.6	SEE KITS TABLE
13	-	6	VALVE ASSEMBLY	SEE KITS TABLE
14	9.803-948.0	6	O-RING Ø1.78 X 18.77	SEE KITS TABLE
15	9.803-949.0	6	VALVE PLUG	
16	8.754-851.0	1	PLUG, BRASS G1/4	
17	8.718-973.0	1	WASHER, COPPER G1/4	
18	8.754-854.0	2	BOLT, MANIFOLD M14 X 40	
19	8.754-850.0	2	WASHER, LOCK	
20	9.803-198.0	1	WASHER, COPPER G3/8	

REF	PART NO.	QTY	DESCRIPTION	NOTES
21	8.707-262.0	2	PLUG, BRASS G3/8	
22	-	6	VALVE SEAT	SEE KITS TABLE
23	-	6	VALVE PLATE	SEE KITS TABLE
24	-	6	VALVE SPRING	SEE KITS TABLE
25	-	6	VALVE CAGE	SEE KITS TABLE
26	9.802-939.0	12	SCREW, M6 X 16	
27	8.717-137.0	2	BEARING COVER	
28	9.803-954.0	1	BEARING SEAL	
29	8.754-843.0	2	SEAL SPACER, CRANKSHAFT	
30	9.802-914.0	1	SNAP RING, 25 MM	
31	9.803-955.0	2	BEARING, BALL	
32	8.754-829.0	1	SHAFT, 24 MM 3030	
-	8.754-830.0	1	SHAFT, 24 MM 4025	
33	9.803-167.0	1	KEY, CRANKSHAFT	
34	8.754-219.0	1	OIL DIPSTICK	
35	8.933-010.0	1	SEAL, CRANKSHAFT	
36	8.754-855.0	3	BOLT, PLUNGER	SEE KITS TABLE
37	8.754-092.0	3	SPACER, COPPER	SEE KITS TABLE
38	8.754-848.0	3	PLUNGER, 16 MM	SEE KITS TABLE
39	9.803-962.0	3	SPACER, COPPER	SEE KITS TABLE
40	8.754-827.0	3	PLUNGER ROD	
41	9.803-965.0	3	CONNECTING ROD PIN	
42	9.803-966.0	3	CONNECTING ROD	
43	9.803-218.0	6	WASHER, 6 MM	
44	8.933-020.0	6	SCREW, CONNECTING ROD	
45	8.754-847.0	1	O-RING Ø2.62 X 111.62	
46	8.754-842.0	1	COVER, CRANKCASE	
47	9.803-906.0	1	O-RING Ø1.78 X 14	
48	9.803-202.0	1	SIGHT GLASS, G3/4	

KIT NUMBERS	8.754-856.0	8.754-857.0	8.754-858.0	8.754-859.0	9.803-937.0
KIT DESCRIPTION	Plunger Seals 16 mm	Seal Packing 16 mm	Plunger 16 mm	Complete Valve	Plunger Oil Seals
ITEM NUMBERS INCLUDED	4, 6, 8	4, 5, 6, 7, 8	36, 37, 38, 39	12, 13, 14	3
NUMBER OF CYLINDERS KIT WILL SERVICE	3	1	1	6	3

SM.3 Series Pump

8.922-680.0 SM4035R.3



REF	PART NO.	QTY	DESCRIPTION	NOTES
1	8.751-216.0	1	CRANKCASE	
2	-	3	PLUNGER OIL SEAL	SEE KITS BELOW
3	-	3	O-RING Ø1.78 X 31.47	SEE KITS BELOW
4	-	3	PRESSURE RING	SEE KITS BELOW
5	-	3	U-SEAL	SEE KITS BELOW
6	-	3	INTERMEDIATE RING	SEE KITS BELOW
7	-	3	U-SEAL	SEE KITS BELOW
8	9.803-199.0	1	WASHER, COPPER	
9	9.802-926.0	1	PLUG, BRASS 1/2	
10	8.751-218.0	1	MANIFOLD HEAD	
11	-	6	O-RING Ø2.62 X 17.13	SEE KITS BELOW
12	-	6	VALVE ASSEMBLY	SEE KITS BELOW
13	-	6	O-RING Ø2.62 X 20.29	SEE KITS BELOW
14	9.802-928.0	6	VALVE PLUG	
15	9.802-938.0	8	MANIFOLD STUD BOLT	
16	9.802-884.0	16	WASHER	
17	9.803-198.0	1	COPPER WASHER 3/8	
18	9.802-925.0	1	BRASS PLUG 3/8	
23	9.802-944.0	8	SCREW, HEX, 8MM X18MM	
24	8.717-210.0	1	CLOSED BEARING HOUSING	

REF	PART NO.	QTY	DESCRIPTION	NOTES
25	9.803-192.0	2	O-RING Ø1.78 X 60.05	
26	8.933-011.0	2	TAPERED ROLLER BEARING	
27	8.751-222.0	1	CRANKSHAFT (5030,3540)	
-	8.751-223.0	1	CRANKSHAFT (4030, 4035)	
28	9.803-167.0	1	CRANKSHAFT KEY	
29	9.802-921.0	1	OIL DIP STICK	
30	9.803-140.0	1	CRANKSHAFT SEAL	
31	9.803-178.0	2	SHIM	
32	8.717-209.0	1	BEARING HOUSING	
33	-	3	PLUNGER NUT, M8	SEE KITS BELOW
34	-	3	COPPER SPACER	SEE KITS BELOW
35	-	3	PLUNGER (4035)	SEE KITS BELOW
-	-	3	PLUNGER (4030, 5030)	SEE KITS BELOW
-	-	3	PLUNGER (3540)	SEE KITS BELOW
36	-	3	COPPER SPACER	SEE KITS BELOW
37	-	3	O-RING Ø1.78 X 7.66	SEE KITS BELOW
38	-	3	TEFLON RING	SEE KITS BELOW
39	8.751-224.0	3	PLUNGER ROD	
40	9.803-158.0	3	CONNECTING ROD	
41	8.751-228.0	3	CONNECTING ROD PIN	
42	9.803-218.0	6	SPRING WASHER	
43	9.803-238.0	6	CONNECTING ROD SCREW	
44	8.933-016.0	1	O-RING, Ø2.62 X 126.67	
45	8.751-229.0	1	CRANKCASE COVER	
46	9.803-197.0	1	O-RING, Ø1.78 X 14	
47	9.803-202.0	1	SIGHT GLASS 3/4	
48	9.802-939.0	5	COVER SCREW	

REPAIR KIT NO.	8.725-360.0	8.725-362.0	8.725-358.0	8.725-361.0	8.725-363.0	8.725-359.0
KIT DESCRIPTION	Plunger Seal 4035 18mm	Plunger Seal 4030 5030 20mm	Plunger Seal 3540 15mm	Complete Seal Packing 4035 18mm	Complete Seal Packing 4030 5030 20mm	Complete Seal Packing 3540 15mm
ITEM NUMBERS INCLUDED	3, 5, 7	3, 5, 7	3, 5, 7	3, 4, 5, 6, 7	3, 4, 5, 6, 7	3, 4, 5, 6, 7
NO. OF CYLINDERS KIT WILL SERVICE	3	3	3	1	1	1

REPAIR KIT NO.	8.751-237.0	8.751-238.0	8.933-023.0	9.802-603.0	9.802-609.0
KIT DESCRIPTION	Plunger 4035 18mm	Plunger 4030 5030 20mm	Plunger 3540 15mm	Complete Valve	Plunger Oil Seals
ITEM NUMBERS INCLUDED	33, 34, 35, 36, 37, 38	33, 34, 35, 36, 37, 38	33, 34, 35, 36, 37, 38	11, 12, 13	2
NO. OF CYLINDERS KIT WILL SERVICE	1	1	1	6	3