

REVISED STARTING
SERIAL # 120610027

PARTS LIST MANUAL

MODEL SEC

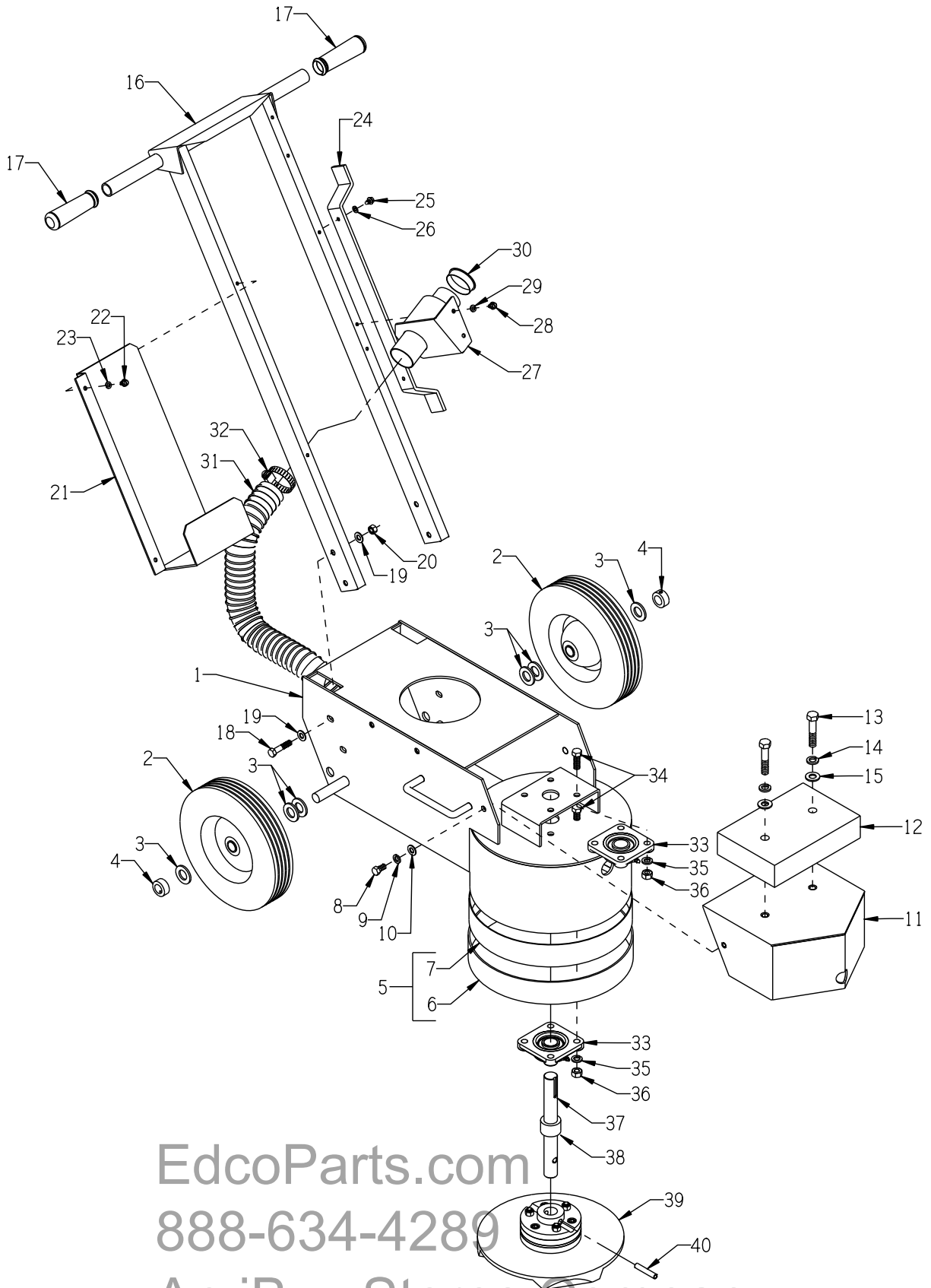


SINGLE-DISC CONCRETE FLOOR GRINDER

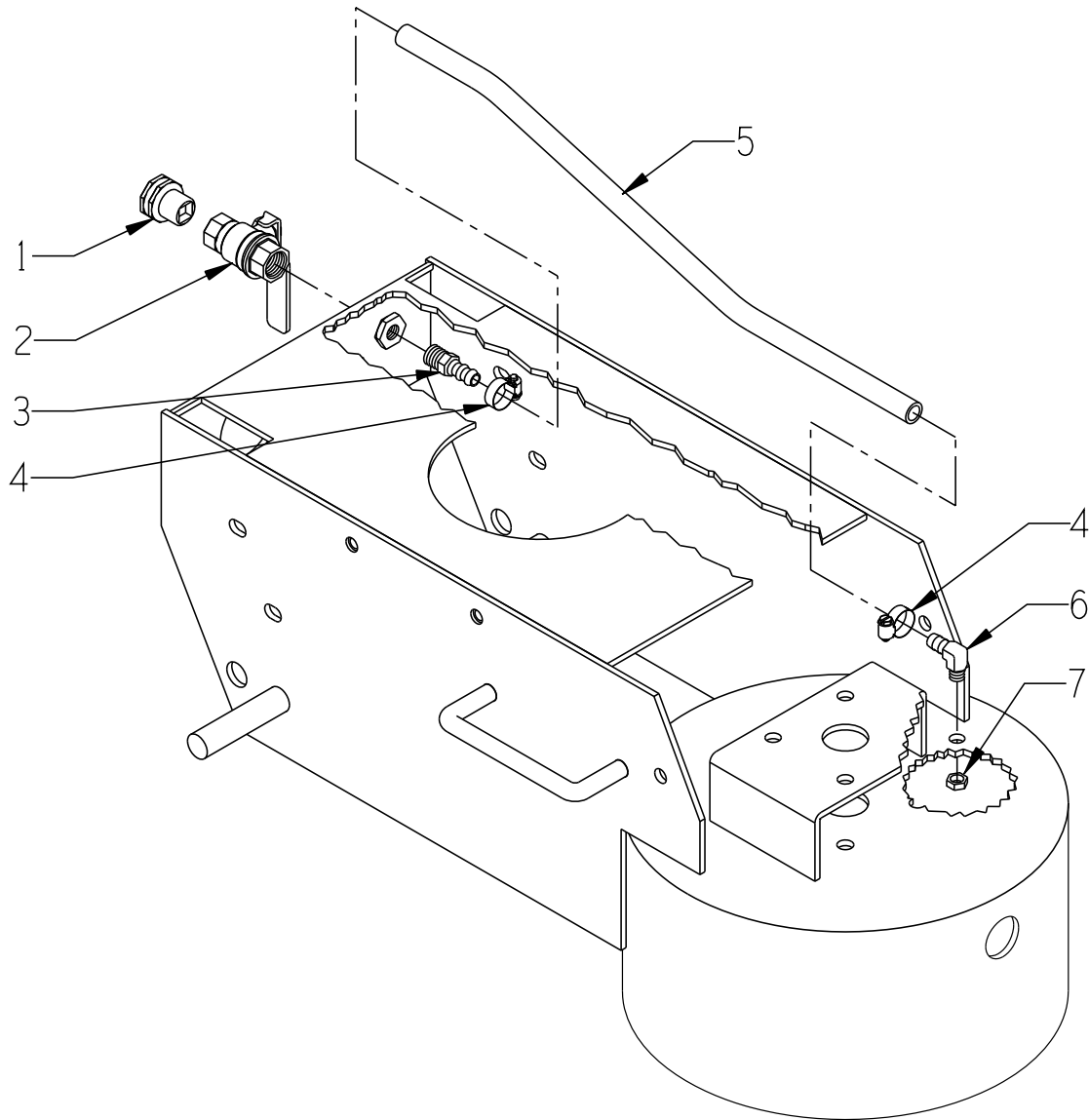
SKU #	MODEL #	POWER OPTION
50200	SEC-1.5L	LEESON MOTOR 1.5HP 60Hz 1-PHASE 115/230V
52500	SEC-1.75L/50/1	LEESON MOTOR 1.75HP 50Hz 1-PHASE 110/220V

EdcoParts.com
888-634-4209
An iBuy Stores Company

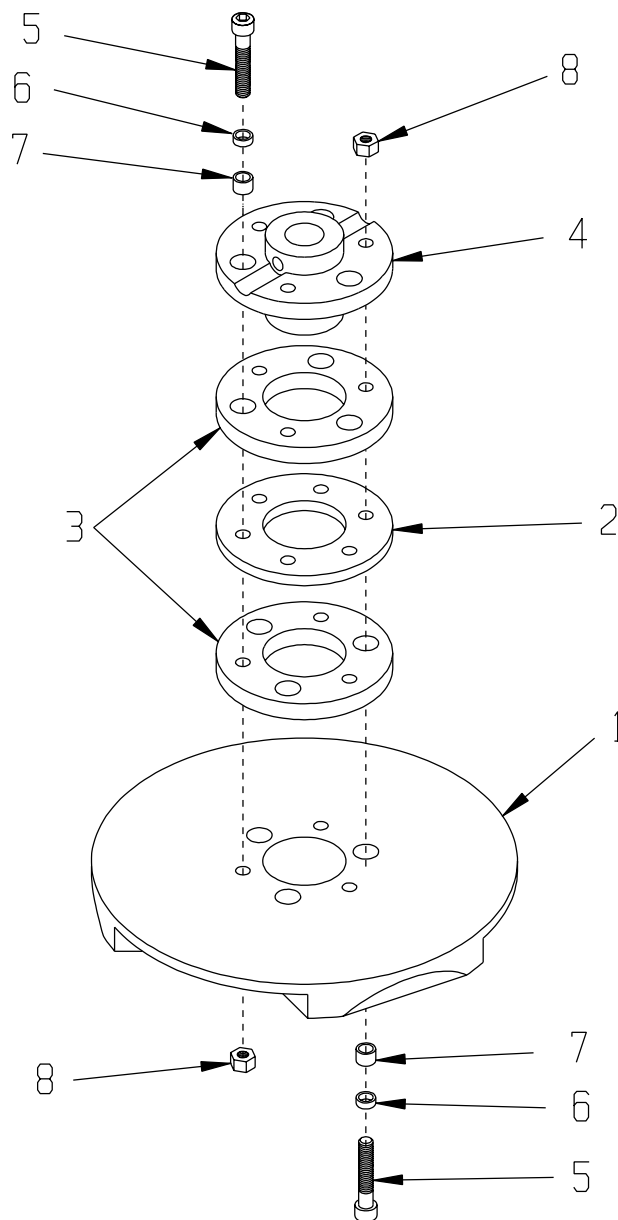
ILLUSTRATION 1 : MAIN GROUPING



PARTS LISTING - ILLUSTRATION 1: MAIN GROUPING			
ITEM #	PART #	DESCRIPTION	QTY.
1	86401	MAIN FRAME, SEC(2)	1
2	28003	WHEEL 10 X 2-1/4 X 3/4"BRG, SEC	2
3	10009	WASHER, FLAT 3/4 SAE ZINC	6
4	10428	COLLAR, LOCKING 3/4"ID	2
5	86426K	RUBBER SKIRT W/ VELCRO LOOP & HOOK (INCLUDES ITEMS 6 & 7 TOGETHER)	1
6	86426	RUBBER SKIRT W/ VELCRO-LOOP ONLY, 2 X 39-1/8 (THESE 2 PIECES ARE SEWN TOGETHER)	1
7	86427	VELCRO-HOOK ONLY, 2" X 37-1/2", SEC (THIS PIECE IS PLACED AROUND THE BOTTOM EDGE OF THE SHROUD)	1
8	10907	SCREW, CAP 3/8-16 X 3/4	2
9	10811	WASHER, LOCK 3/8 ZINC	2
10	10025	WASHER, FLAT 3/8 SAE ZINC	2
11	86402	HOOD, SEC(2)	1
12	86345	WEIGHT BLOCK, 30 LB.	1
13	10323	SCREW, CAP 1/2-13 X 2-1/2	2
14	10045	WASHER, LOCK 1/2 ZINC	
15	10312	WASHER, FLAT 1/2 SAE ZINC	2
16	86304S	HANDLE BAR, SEC	1
17	10608	GRIP, HAND 1" MODEL AT	2
18	10029	SCREW, CAP 3/8-24 X 1-3/4	4
19	10025	WASHER, FLAT 3/8 SAE ZINC	8
20	10004	NUT, HEX LOCK 3/8-24 ZINC	4
21	86417	TRAY, TOOL BOX, SEC	1
22	10846	SCREW, CAP STSHW 1/4-20 X 1/2	2
23	10038	WASHER, LOCK 1/4 ZINC	2
24	86419	HOLDER, POWER CORD	1
25	10846	SCREW, CAP STSHW 1/4-20 X 1/2	2
26	10038	WASHER, LOCK 1/4 ZINC	2
27	86347	BRACKET, MULTI-VAC PORT 2-3"	1
28	10846	SCREW, CAP STSHW 1/4-20 X 1/2	2
29	10038	WASHER, LOCK 1/4 ZINC	2
30	65021	CAP/PLUG 2" RED PLASTIC, FLANGED	1
31	77113	HOSE, FLEX 2"ID X 32"L, GRINDERS	1
32	10766	CLAMP, HOSE, SAE #32, ADJ. TO 2-1/2	2
33	77008	BEARING, BALL 1" 4-HOLE FLANGE, ND	2
34	10003	SCREW, CAP 7/16-20 X 1-1/4 ZINC	8
35	10450	WASHER, LOCK 7/16 ZINC	8
36	10481	NUT, HEX 7/16-20 ZINC	8
37	86416	SHAFT, DRIVEN 1" X 9"L, SEC(2)	1
38	86232	SPACER 1-1/2"OD x 1"ID x 1"L" DY-1 & S-EC HEAD	1
39	8888	DISC ASSY. COMPLETE, MULTI-ACCY. RH (REFER TO ILLUSTRATION 3 FOR BREAKDOWN)	1
40	10063	PIN, ROLL 3/8 X 2	1

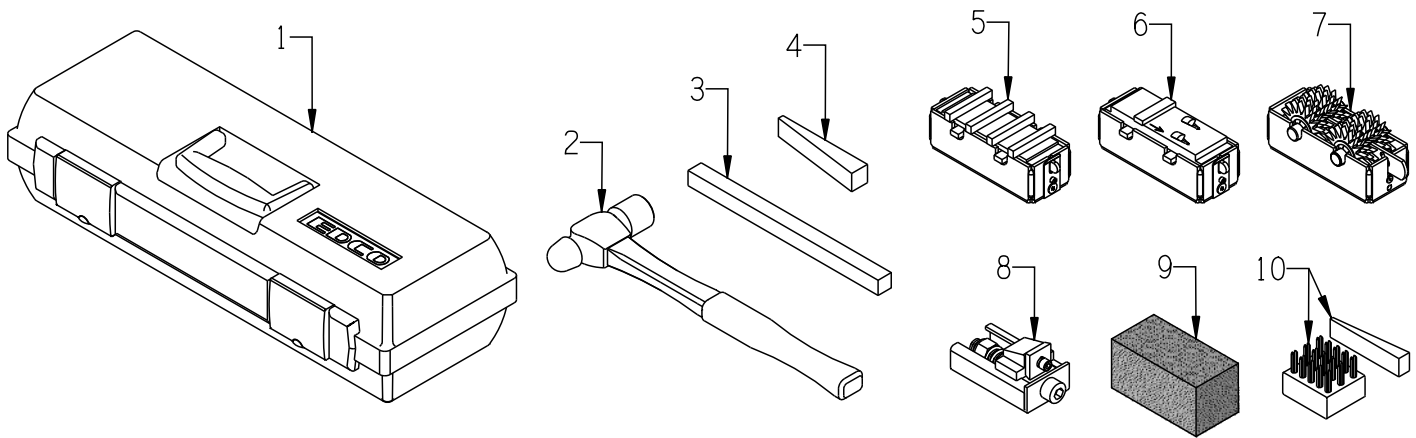
ILLUSTRATION 2: WATER VALVE & HOSE GROUPING


ITEM #	PART #	DESCRIPTION	QTY.
1	80021	CONN., SWIVEL FEM. 3/4HOSE X 1/2MPT	1
2	10711	VALVE, BALL 1/2 FPT	1
3	50075	BARB, 3/8 HOSE X 1/4MPT (BRASS)	1
4	50069	CLAMP, HOSE, SAE #6, ADJ. TO 13/16	2
5	86424	HOSE 3/8"ID X 20"L, SEC	1
6	11562	BARB ELBOW 90, 3/8HOSE X 1/8MPT BRASS	1
7	10864	NUT 1/8-27 PIPE THREAD (BRASS)	1

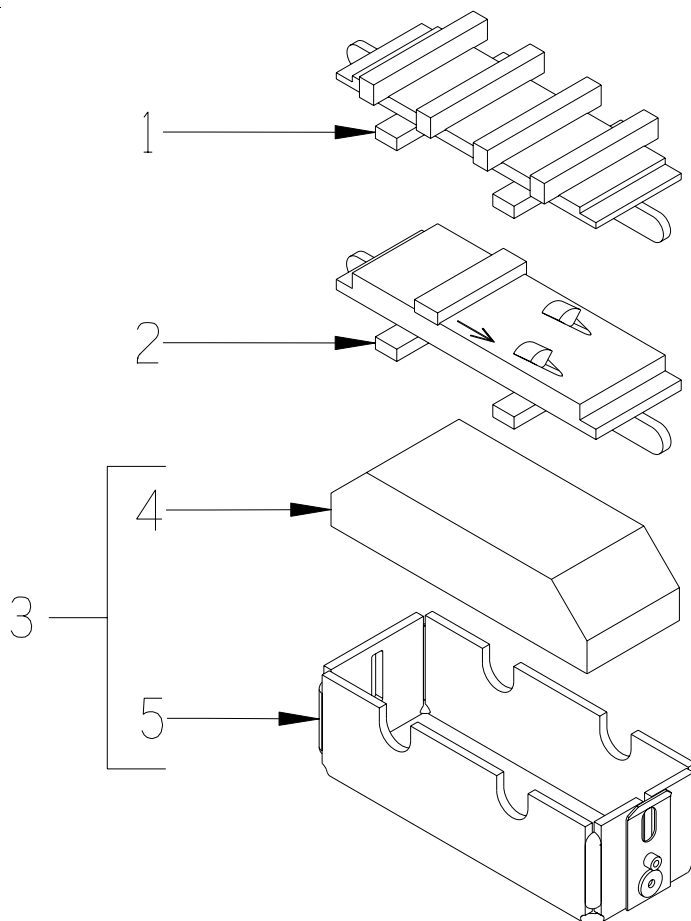
ILLUSTRATION 3: MULTI-ACCESSORY DISC ASSEMBLY


ITEM #	PART #	DESCRIPTION	QTY.
1-8	8888	DISC ASSEMBLY COMPLETE, RIGHT-HAND (ITEMS 1 THRU 8)	1
1	77088	DISC ONLY, MULTI-ACCY. R.H.	1
2	77020	RING, HUB CARRIER, 6-HOLE	1
3	10112	RING, RUBBER, 4-1/2"OD X 1/2"THK	2
4	77010	HUB, ALUMINUM 6-HOLE (GRINDER)	1
5	10114	SCREW, SKT. HD. CAP 3/8-24 X 2-1/4	6
6	10113	SPACER, STEEL 9/16OD X 3/8ID X 7/32"	6
7	10011	SPACER, STEEL 5/8OD X 3/8ID X 3/8"	6
8	10058	NUT, HEX LOCK 3/8-24 W/ NYLON PATCH	6

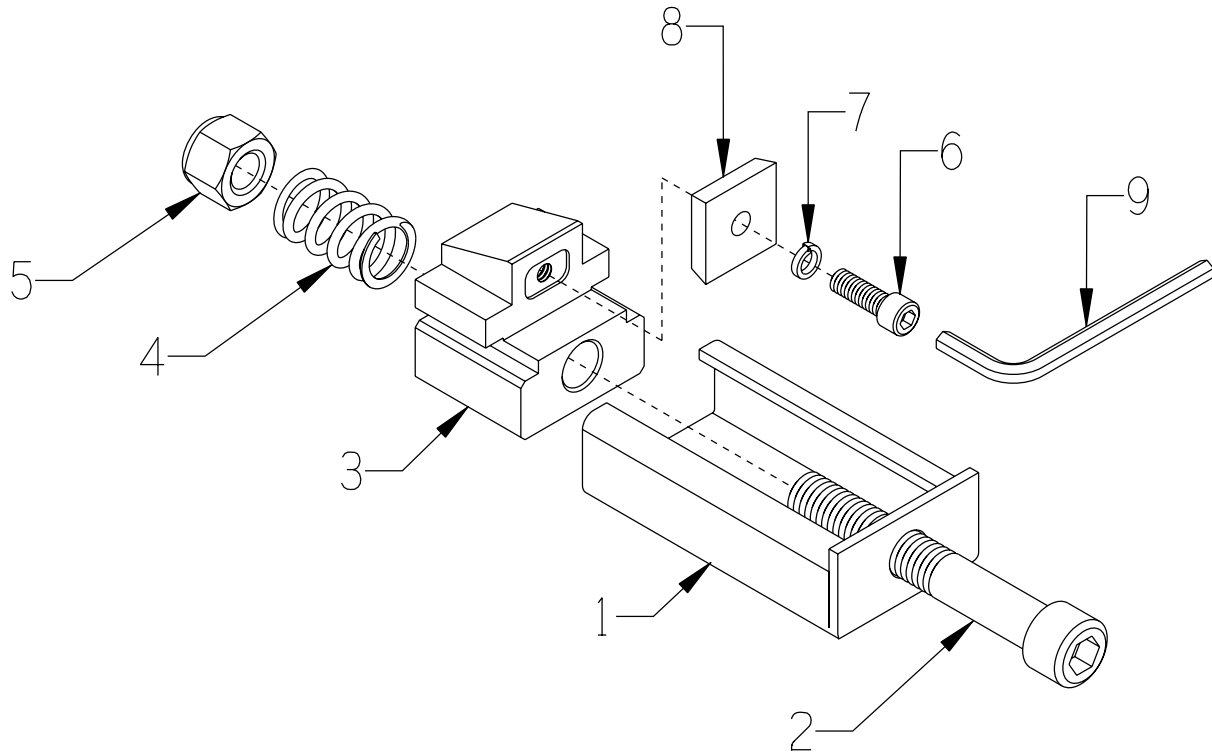
An iBuy Stores Company

ILLUSTRATION 4: TOOL BOX & MULTI-DISC ACCESSORIES


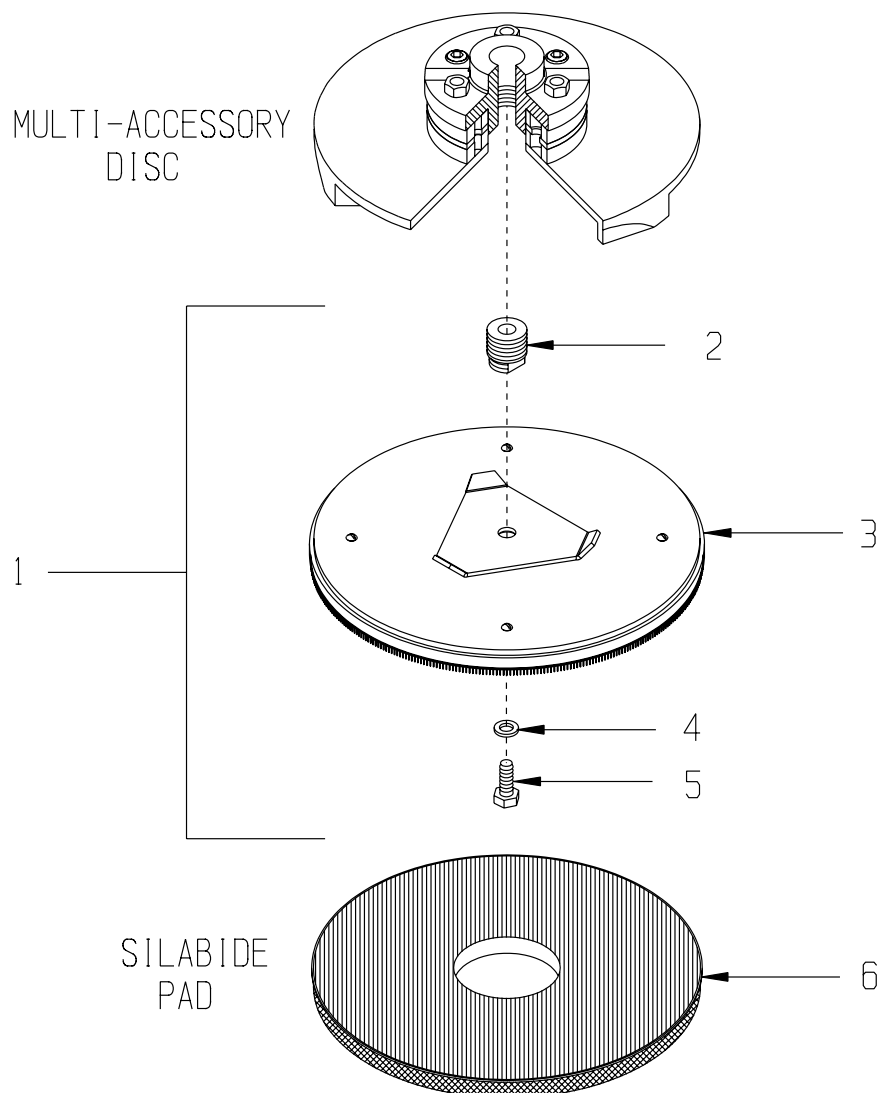
NOTE: REFER TO EDCO PRICE LIST FOR START-UP PAKS AND QUANTITIES			
ITEM #	PART #	DESCRIPTION	QTY.*
1-3	12004	TOOL BOX W/ HAMMER & PUNCH, BLACK	1
	12005	TOOL BOX W/ HAMMER & PUNCH, RED	1
1	12001	TOOL BOX, BLACK (DYMA-SERTS™)	1
	12002	TOOL BOX, RED (STRIP-SERTS™)	1
2	12003	HAMMER, BALL PEIN 16 OZ.	1
3	12006	PUNCH, GRINDER WEDGE, 5/8SQ X 9	1
4	12160	WEDGE CG225, HARDWOOD	3
5	-----	DYMA-SERT™ ACCY. W/ HOLDING CASE (SEE ILLUS. 5 FOR MORE DETAILS)	3
6	-----	PCDYMA-SERT™ ACCY. W/ HOLDING CASE (SEE ILLUS. 5 FOR MORE DETAILS)	3
7	12114 12120 12130	SCARIFIER ACCESSORY: CG221 SCARIFIER HOLDING CASE ONLY CG222 TAW SCARIFIER, STANDARD INSERT CG223 TAW SCARIFIER, HEAVY-DUTY INSERT	3
8	12400	STRIP-SERT™ ASSEMBLY (SEE ILLUS. 6 FOR MORE DETAILS)	3
9	11074 11014 11024 11034 11084	CG224V VITRIFIED GRINDING STONES: C10S SUPER COARSE C10 COARSE C24 MEDIUM C80 FINE C120 SUPER FINE	3
10	12170 12180	CG101 WIRE BRUSH W/JR322 WEDGE WEDGE ONLY JR322, HARDWOOD	3 3
* QUANTITIES ARE THE NUMBER REQUIRED FOR 1-DISC GRINDER			

ILLUSTRATION 5: DYMA-SERT™ & PCDYMA-SERT™ ASSEMBLIES


ITEM #	PART #	DESCRIPTION	QTY.*
1	19110 19130 19180 19250 19260 19270 19290	DYMA-SERT™ (SOLD SEPARATELY): EG-1X, 30-40 GRIT (GENERAL PURPOSE) EG-2X, 30-40 GRIT (ABRASIVE CONCRETE) EG-3X, 30-40 GRIT (EPOXY MORTARS) EG-5X, 50 GRIT (TERRAZZO) EG-7X, 80 GRIT (TERRAZZO) EG-9X, 120 GRIT (TERRAZZO) EG-23X, 200-230 GRIT (POLISHING)	3
2	EDP2PCD-30	PCDYMA-SERT™ (SOLD SEPARATELY)	3
3	19120	CG221D DYMA-SERT HOLDING CASE W/PAD	3
4	19140	RUBBER SHOCK PAD	3
5	19121	DYMA-SERT™ HOLDING CASE	3
*QUANTITIES BASED ON 1-DISC GRINDER			

ILLUSTRATION 6: STRIP-SERT™ ASSEMBLY


ITEM #	PART #	DESCRIPTION	QTY.
1-8	12400	STRIP-SERT ASSY. WITH PRO TUNGSERT	3*
1-7	12401	STRIP-SERT ASSY. WITHOUT PRO TUNGSERT	3*
1	12404	TUNGSERT HOLDER BOX, STRIP-SERT	1**
2	12405	SCREW, SKT.HD.CAP 1/2-13 X 3.5,GR.5	1**
3	12403	TUNGSERT BLOCK, STRIP-SERT	1**
4	12406	SPRING, COMP. .765"OD X 1.25"FL	1**
5	10155	NUT, HEX NYLON LOCK 1/2-13	1**
6	11573	SCREW, SKT. HD. CAP 1/4-20 X 3/4	1**
7	11688	WASHER, HI-COLLAR LOCK .26ID X .363	1**
8	12407	PRO TUNGSERT (PACK OF 6) INCLUDES: 6 SCREWS & WASHERS, ITEMS 6 & 7 & 1 HEX WRENCH, ITEM 9.	1**
9	12413	WRENCH, HEX L-KEY 3/16", SHORT-ARM	1
* QUANTITIES BASED ON 1-DISC GRINDER ** QUANTITIES BASED ON 1 STRIP-SERT ACCESSORY			

ILLUSTRATION 7: OPTIONAL PAD DRIVER DISC ASSEMBLY


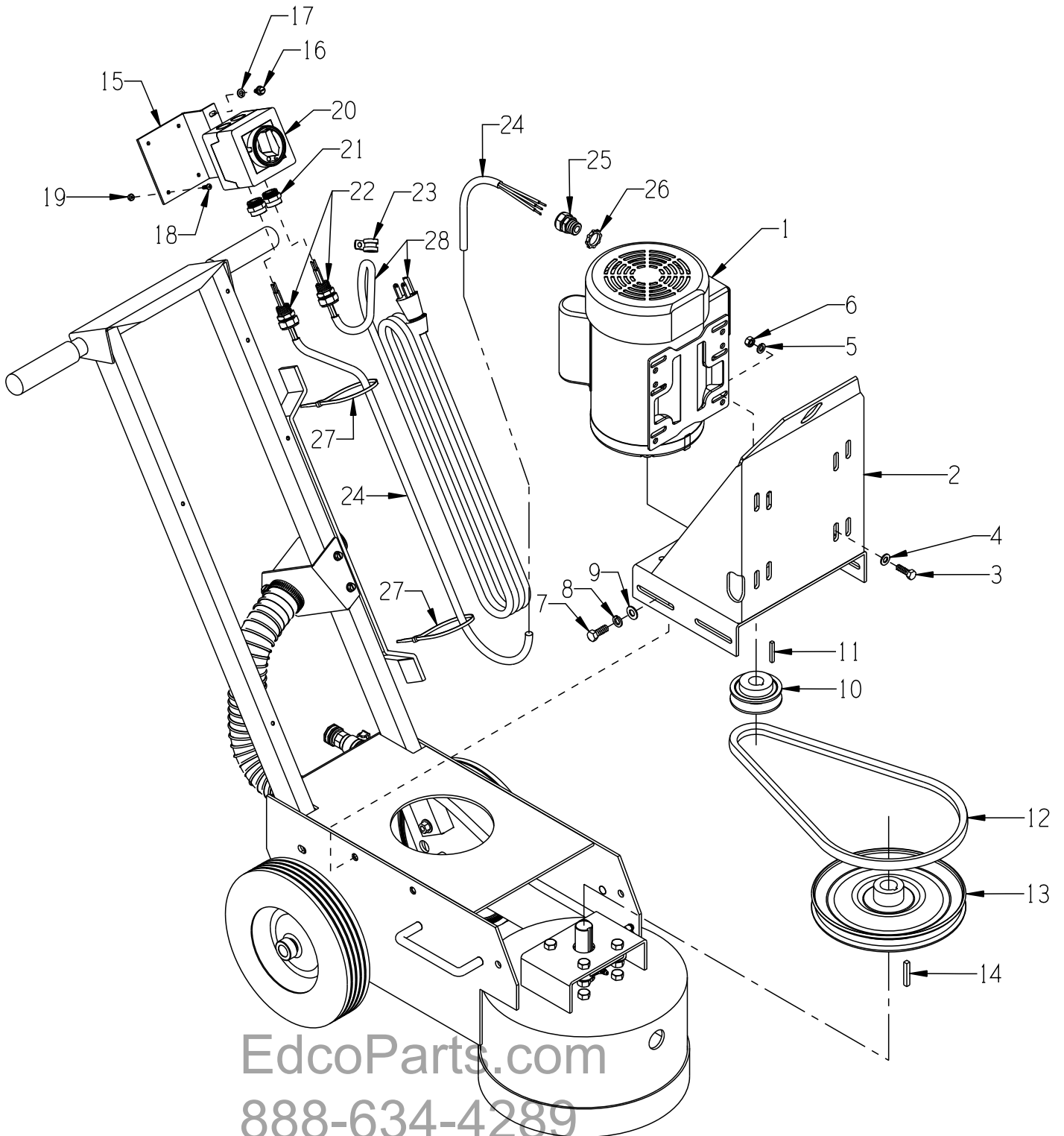
ITEM #	PART #	DESCRIPTION	QTY.*
1	76040	PAD DRIVER DISC ASSEMBLY (INCLUDES ITEMS 2 THRU 5)	1
2	76042	HUB STUD, PAD DRIVER (GRINDER)	1
3	76041	DISC ONLY 11", PAD DRIVER	1
4	10312	WASHER, FLAT 1/2 SAE ZINC	1
5	10304	SCREW, CAP 1/2-20 X 1	1
6	13013	SILABIDE PAD, 11" MEDIUM (NOT INCLUDED W/ ASSEMBLY)	1

*QUANTITIES FOR ITEMS 1 THRU 6 ARE PER 1-DISC GRINDER

888-634-4289

An iBuy Stores Company

ILLUSTRATION 8: MOTOR & BELT DRIVE GROUPING



EdcoParts.com

888-634-4289

An iBuy Stores Company

PARTS LISTING - ILLUSTRATION 8: MOTOR & BELT DRIVE GROUPING

ITEM #	PART #	DESCRIPTION	QTY.
1	16035	MOTOR, 1.5HP-1PH-60HZ-1725RPM-115/230V-17.2/8.6A LEESON CAT. NO. 113938.00 RED FARM-DUTY <i>REPLACEMENT PARTS:</i>	1
	16178.....CAPACITOR, START, LEESON 003025.15 (500MFD 125V)	1
	16159.....CAPACITOR, RUN, LEESON 003014.20 (20MFD 240V)	1
	16179.....RESET BUTTON, LEESON 300033.02 (CED2705)	1
	16060	MOTOR, 1.75HP-1PH-50HZ-1425RPM-110/220V LEESON CAT. NO. 117051.00 <i>REPLACEMENT PARTS:</i>	1
	16191CAPACITOR, START, LEESON 003025.11 (650MFD 125V)	1
	16183CAPACITOR, RUN, LEESON 003014.13 (65MFD 240V)	2
	16133RESET BUTTON, LEESON 300117.04 (BRJ42DA)	1
2	86404	MOUNT, MOTOR	1
3	10806	SCREW, CAP 5/16-18 X 1	4
4	10213	WASHER, FLAT 5/16 SAE ZINC	4
5	10801	WASHER, LOCK 5/16 ZINC	4
6	10054	NUT, HEX 5/16-18 ZINC	4
7	10055	SCREW, CAP 3/8-16 X 1	4
8	10811	WASHER, LOCK 3/8 ZINC	4
9	10025	WASHER, FLAT 3/8 SAE ZINC	4
10	77017	SHEAVE 3"OD X 1GR.B X 7/8"BORE	1
11	-----	KEY 3/16"SQ. X 1-3/8 (INCLUDED W/ MOTOR)	1
12	10277	BELT B-38	1
13	86009	SHEAVE 9" OD X 1GR.B X 1" BORE	1
14	40317	KEY 1/4SQ X 1-5/8	1
15	77042	BRACKET, LOVATO ROTARY CAM SWITCH	1
16	10846	SCREW, CAP STSHW 1/4-20 X 1/2	2
17	10038	WASHER, LOCK 1/4 ZINC	2
18	11663	SCREW, MACHINE 8-32 X 1/2 RHCD ZINC	4
19	10462	NUT, KEPS LOCK 8-32 ZINC	4
20	77043	SWITCH, ROTARY CAM ON/OFF, LOVATO <i>REPLACEMENT PARTS:</i>	1
	77043-2.....SWITCH HANDLE, PADLOCKABLE, LOVATO	1
	77043-4.....GASKET RING, OPERATOR, LOVATO	1
21	77043-1	SWITCH ADAPTER, PG16 TO 1/2"NPT	2
22	40066	STRAIN RELIEF 1/2NPT X .350-.450"	2
23	11690	CLAMP, LOOM, 3/8"	1
24	77045	WIRE HARNESS 12/3 X 42"LOA	1
25	16176	STRAIN RELIEF 3/4NPT X .350-.450"	1
26	10740	CONDUIT LOCK NUT 3/4 NP (LOCATED INSIDE JUNCTION BOX)	1
27	10982	TIE, CABLE, BLACK NYLON 11-1/4"	2
28	86422	CORD W/ PLUG, 25FT. POWER, STRAIGHT STYLE PLUG	1

ILLUSTRATION 12: DECALS

SEC 14 x 17
P/N 92211 RevA

GREASE BEARINGS WEEKLY

exceeds 85dBA

Frederick, Maryland
USA With Pride

EDCO
edcoinc.com 1-800-638-3326

TOOL BOX

YOU MUST READ OPERATOR'S INSTRUCTION MANUAL BEFORE OPERATING

MADE IN U.S.A.

RENTAL-TOUGH

EDCO

OFF

115 VOLTS

SINGLE PHASE

ON

220 VOLTS

CAUTION
GENERATOR SIZE REQUIREMENT
↔
RATE GENERATOR AT 3 TIMES
MOTOR RATED HORSEPOWER

NOTE: Locate this decal so it is visible from operator's position on all electric machines

PN: 91326

EdcoParts.com
888-634-4289
Electric-3 4 x 7
P/N 92208 Rev. A
ArriBuy Stores Company