



HV351212 '19

HYDRAPAK

6 PARTS LIST

The following parts list applies to the HV351212'19 HydraPak only. Each item number on this parts list can be matched with the item number shown on the Figures: 6-1, 6-2, 6-3, & 6-4 assembly drawings

ITEM	PART NUMBER	DESCRIPTION	QTY	BASE UNIT	ITEM	PART NUMBER	DESCRIPTION	QTY	BASE UNIT
1	2535350	FRAME D SERIES BLUE	1	EA	61	5806210	HHCS 1/4-20 x 1-3/4 CZP	4	EA
2	2555435	ENGINE HV35 CUT SHAFT '10 EPA	1	EA	62	5806393	WASHER FLAT SAE 1/4 CZP	28	EA
3	2535334	HV351212 MUFFLER BAFFLE- BLACK	1	EA	63	5806366	NUT HEX TOPLOCK 1/4-20 CZP/YZP	12	EA
4	2522011	PUMP BRKT HH22 MODIFIED	1	EA	64	5806228	HHCS 5/16-18 X 2 CZP	4	EA
5	5525436	MUFFLER 35HP B&S VANG	1	EA	65	5806401	WASHER FLAT SAE 5/16" CZP	14	EA
6	6925325	PUMP HYDR DBL 12-12 GPM P	1	EA	66	5806367	NUT HEX TOPLOCK 5/16-18 CZP	4	EA
7	2522005	COUPLING L110 X 3/4,KW-MACHINED	1	EA	67	6901502	PUMP BRACKET ACCESS COVER	1	EA
8	6725452	COUPLING L110 X 3/4, KW,W/SS	1	EA	68	5806212	HHCS 1/4-20 X 2 CZP	4	EA
9	5806248	HHCS 3/8-16 X 1-1/4 CZP	6	EA	69	5806373	Hex Nut - Inch 1/4 - 20	4	EA
10	5806407	WASHER FLAT EXT TOOTH 3/8" CZP	10	EA	70	6606490	SKID WOOD 44X31-1/4X5-1/4	1	EA
11	5806406	WASHER FLAT SAE 3/8" CZP	6	EA	71	5806209	HHCS 1/4-20 X 1-1/2 CZP	8	EA
12	2535345	AXLE 3/4 WIDE TIRE POWER UNIT ZCC HV351212	1	EA	72	5806226	HHCS 5/16-18 X 1-1/2 CZP	2	EA
13	5800387	PIN, HAIR COTTER 5/8 TO 1 SHAFT	2	EA	73	5806402	WASHER FLAT EXT TOOTH 5/16 CZP	2	EA
14	7635166	WHEEL / TIRE ASSY 16X6.5-8 (3/4 BORE)	2	EA	74	5806202	HHCS 1/4-20 X 1/2 CZP	4	EA
15	2535302	RESERVOIR 1.3 GALLON CYCLONE	1	EA	75	5806394	WASHER FLAT EXT TOOTH 1/4" CZP	4	EA
16	5400861	BATTERY 12V U1 15 PLATE 2 VENT	1	EA	76	5900921	HOSE 1" ID HYDR SUCTION LOW PRESS.	3.7	FT
17	6004726	FILTER HEAD 1-1/4 NPTF (HV351212)	1	EA	77	5401565	TERM,PROTECTOR 6 GA RED	1	EA
18	6004727	FILTER ELEMENT (10 MICRON) 5X6.7" (HV351212)	1	EA	78	6225402	DECAL HV351212 CONTROL PANEL '19	1	EA
19	2501743	FUEL TANK 6 GAL. AUXILIARY	1	EA	79	6204056	TAG MODEL RGC CONSTRUCTION	1	EA
20	2535322	HEAT EXCH 12 TUBE ASSY-BLACK	1	EA	80	5806138	CLAMP,STEPLESS EAR 1-3/8"-1-1/2" SS	10	EA
21	6425137	FUEL TANK TIEDOWN STRAP 25"(OAL)	1	EA	81	5806137	CLAMP, STEPLESS EAR 1-7/8" SS	2	EA
22	5401564	BATTERY STRAP 7-7/8X8-3/16	1	EA	82	5900918	HOSE 3/4" ID HYDR PUSH ON LOW PRESS.	3.2	FT
23	6025423	MANIFOLD HV2312	2	EA	83	5900922	HOSE 1-1/2" ID HYDR SUCTION LOW PRESS.	.25	FT
24	2535326	CONTROL PANEL BODY DUAL 12 GPM BLACK	1	EA	84	5925426	HOSE 1/4" FUEL	2.5	FT
25	6001885	COUPLING 1/2 JIC MALE	2	EA	85	5625423	FUEL COUPLING 1/4BARB FEMALE	1	EA
26	6001519	COUPLING 1/2 SAE EXT FEMALE	2	EA	86	5625424	FUEL COUPLING 1/4BARB MALE	1	EA
27	6015302	HANDLE 10 POS ASSY	2	EA	87	6725453	COUPLING INSERT L110	1	EA
28	5701571	METER HOUR	1	EA	88	5800875	CLAMP,STEPLESS EAR 1-1/8" SS	6	EA
29	6015304	HANDLE 3 POSITION ASSY	2	EA	89	7401887	O-RING (1/2" TUBE) 5/8 ID X 13/16 X 3/32	4	EA
30	5411416	WIRE HARNESS MAIN HV351212'19	1	EA	90	5900995	HOSE 1/2" ID HYDR HIGH PRESS.	4.1	FT
31	5600998	HOSE CRIMP 1/2 X 3/4JICF SWIVEL	4	EA	91	5806222	HHCS 5/16-18 X 3/4 CZP	2	EA
32	5411517	WIRE HARNESS HOUR/VOLT METER HV351212'19	1	EA	92	5806375	NUT HEX 5/16-18 CZP	2	EA
33	5601390	ADAPTER 90D 3/4HOSE BEAD X 1-1/16SAEM SHORT	2	EA	93	6061132	HANDLE ONLY FOR 3 POSITION & 10 POSITION	4	EA
34	5400863	TERM, RING 8-6, 5/16 STUD	1	EA	94	6015303	PRESSURE CONTROL VALVE	2	EA
35	5400883	TERM, RING 8-6, 1/4 STUD	2	EA	95	6015308	RELIEF VALVE HV351212	6	EA
36	5401600	TERM, RING 8-6, 3/8 STUD	1	EA	96	6015305	CHECK VALVE	2	EA
37	5701570	METER VOLT	1	EA	97	5401511	FANRELAY	1	EA
38	1608261	HV1810 PSI GAUGE KIT	2	EA	98	6025860	HEAT EXCHANGER CORE	1	EA
39	5625437	Y HOSE BEAD 1X1X1-1/2 16GA BLACK	1	EA	99	5411513	FAN 12"	1	EA
40	5806302	BHCS 5/16-18 X 3/4	6	EA					
41	5604684	ADAPTER 90D 3/4SAEM X 3/4JICM	2	EA					
42	5625434	ADAPTER 1HOSE BEAD X 1-1/4NPTM	3	EA					
43	5604541	ADAPTER 90D 7/8SAEM X 3/4JICM	1	EA					
44	5625425	ADAPTER 45D 3/4JICM X 7/8SAEM	1	EA					
45	5625432	ADAPTER 90D 1HOSE BEAD X 1-1/4NPTM	1	EA					
46	5625428	ADAPTER 90D 1HOSE BEAD X 1-1/16SAEM	2	EA					
47	5625433	Y BARB 3/4M X 3/4M X 1M NYLON	1	EA					
48	6400143	GRIP RED 1"	2	EA					
49	2535331	HYDRAPAK FRAME HV35 HANDLE-BLUE	2	EA					
50	5400862	WIRE 6GA. BLACK STRAND THHN	2	FT					
51	5800138	PIN, CLEVIS 5/16 ROUND SNAP	2	EA					
52	5809882	KEY MACHINE 1/4X1/4X1-1/2	1	EA					
53	5625435	ADAPTER 3/4NPTF X 3/4BARB POLY	1	EA					
54	6025436	VALVE BALL 3/4"NPTM PVC	1	EA					
55	2535323	HEAT EXCH MTG BRKT BLACK HV351212'19	2	EA					
56	5806245	HHCS 3/8-16 X 3/4 CZP	4	EA					
57	5400765	WIRE 6 GA RED STRAND THHN	2.8	FT					
58	6204079	TAG WARNING "DO NOT OPERATE"	1	EA					
59	6205663	DECAL "BEFORE OPERATING GAS"	1	EA					
60	6225424	DECAL HV2312 "ENGINE BAFFLING"	1	EA					

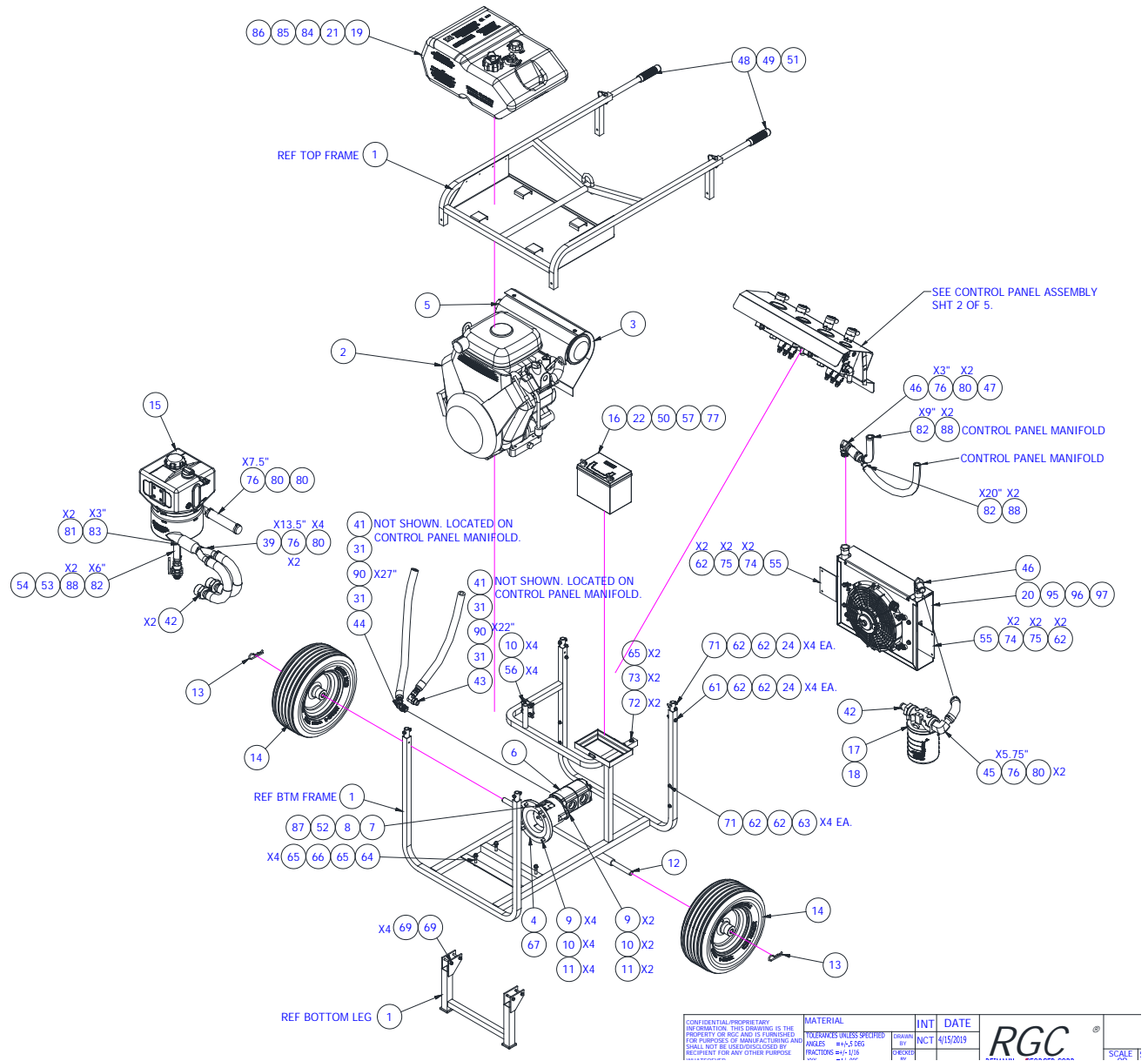
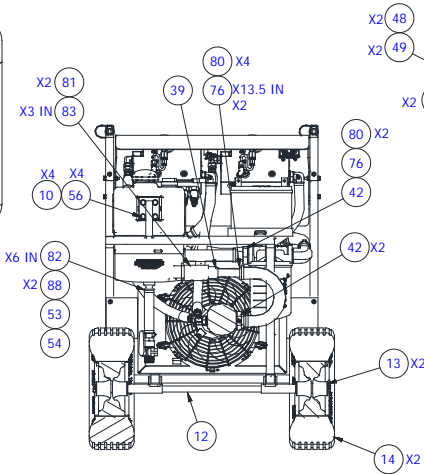
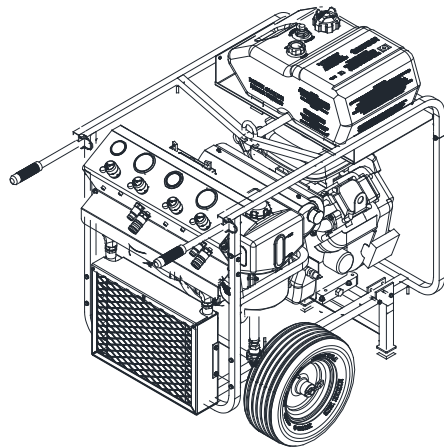


Figure 6-1.
HV351212'19 Assembly Drawing



SECTION A-A

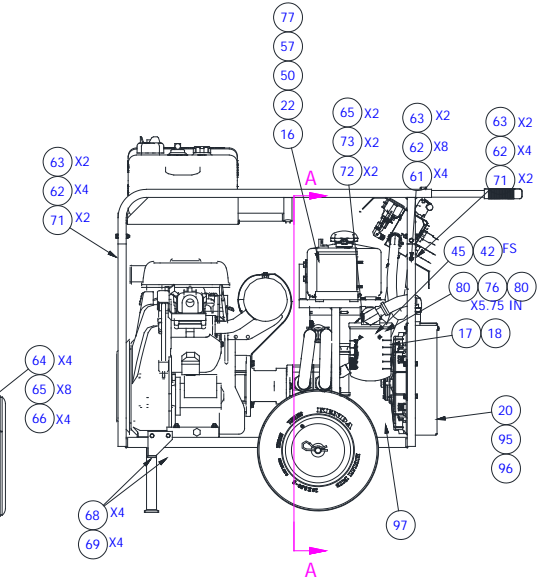
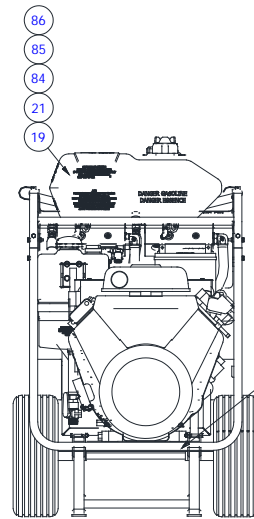
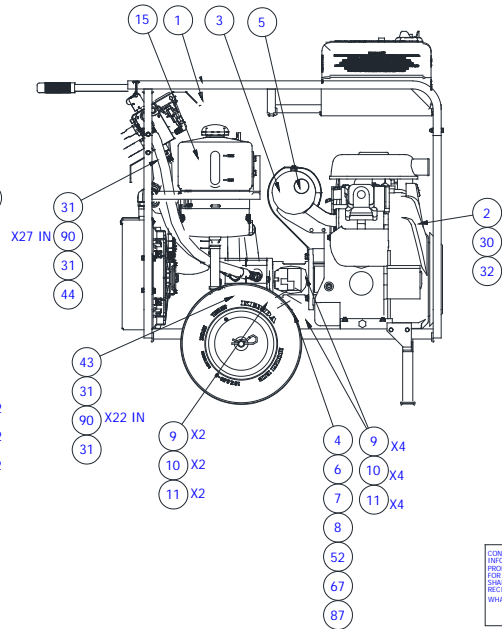
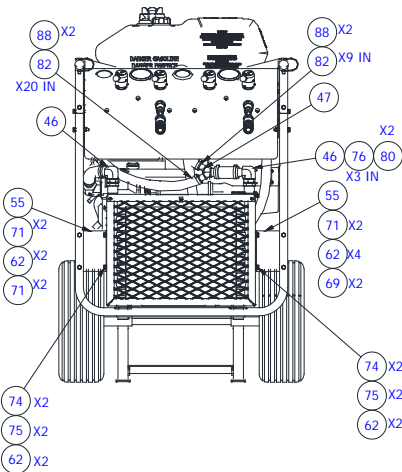
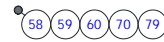
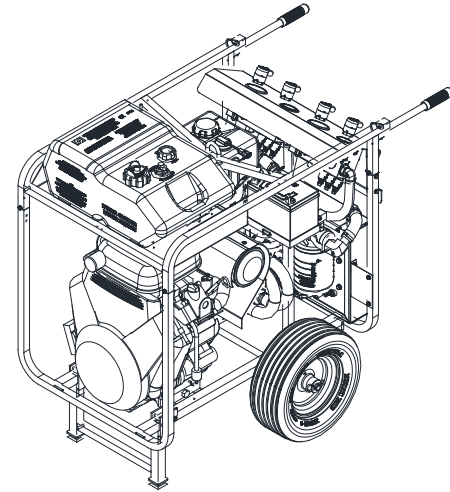


Figure 6-1
HV351212 '19 Assembly

<small>CONFIDENTIAL/PROPRIETARY INFORMATION. THIS DRAWING IS THE PROPERTY OF RGC AND IS FURNISHED FOR PURPOSES OF MANUFACTURING AND SHALL NOT BE USED/REPRODUCED BY RECIPIENT FOR ANY OTHER PURPOSE WHATSOEVER.</small>	<small>MATERIAL</small> 304 STAINLESS STEEL SPECIFIED ANGLES #=+5 DEG FRACTIONS #=+ 1/16 DIM #=+0.005 X #=+0.01 X #=+0.03	<small>DRAWN BY</small> <small>CHECKED BY</small> <small>APPROVED BY</small>	<small>INT</small> NCT	<small>DATE</small> 3/19/2019		HV351212 '19 ASSEMBLY	<small>SCALE</small> 1:10 <small>SIZE</small> C <small>DWG NO.</small> 2535202 <small>REV</small>
	<small>REVISIONS</small> #=+0.005 #=+0.01 #=+0.03	<small>REV</small>					

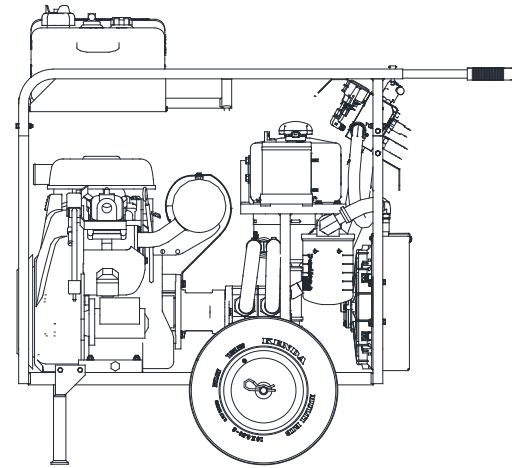
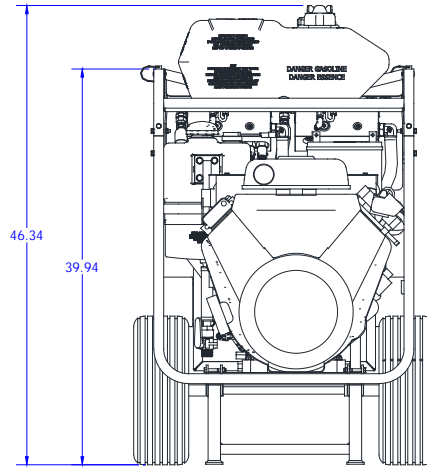
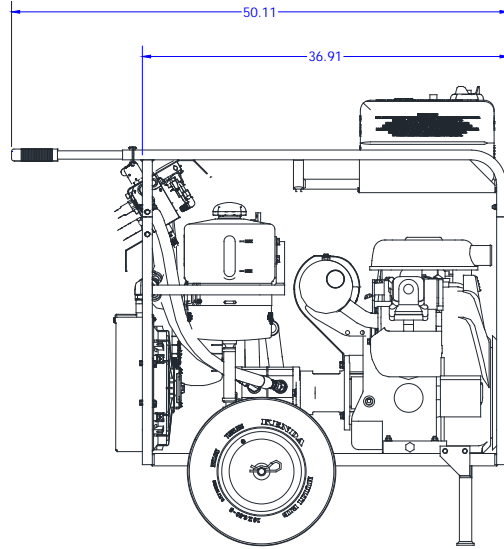
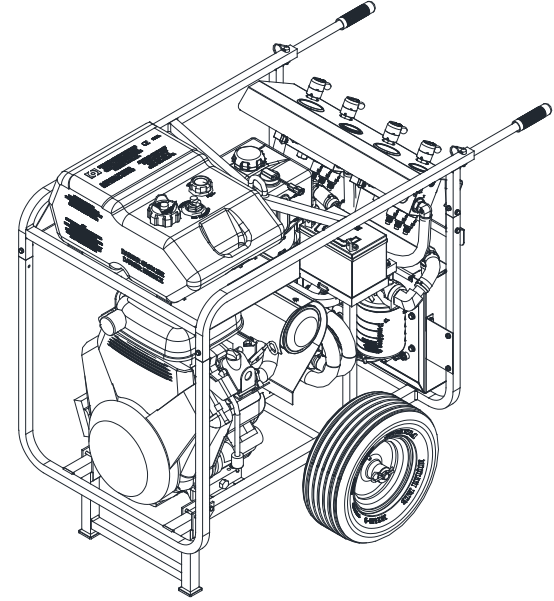
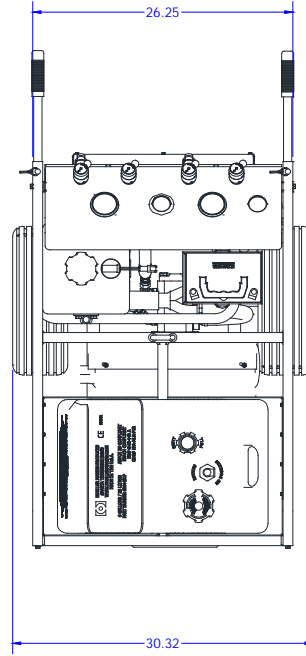
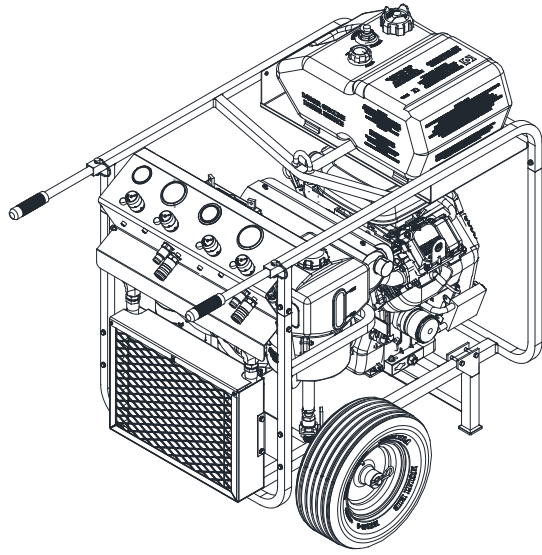
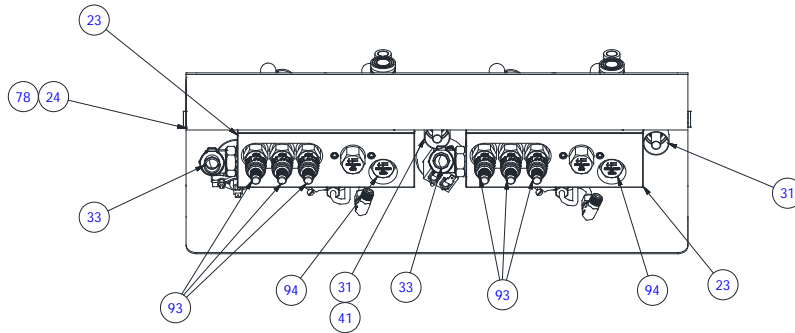
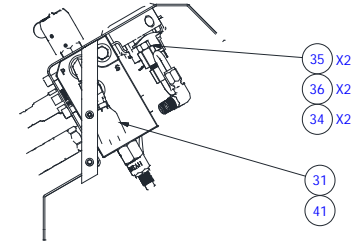
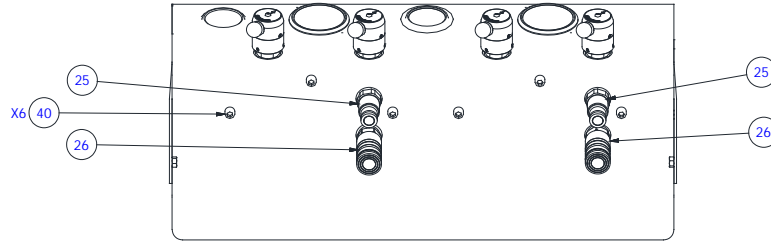
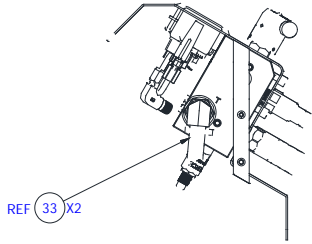
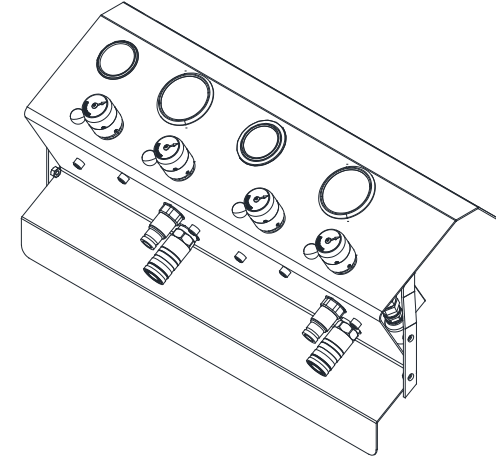
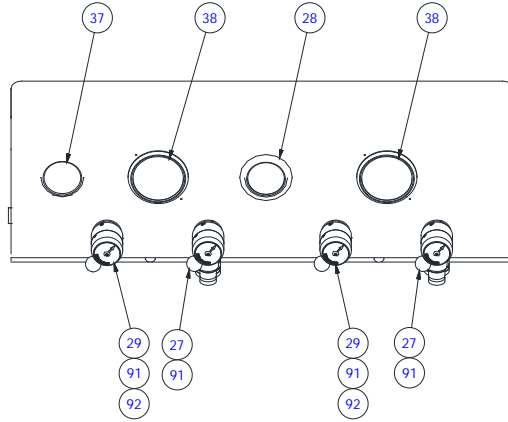
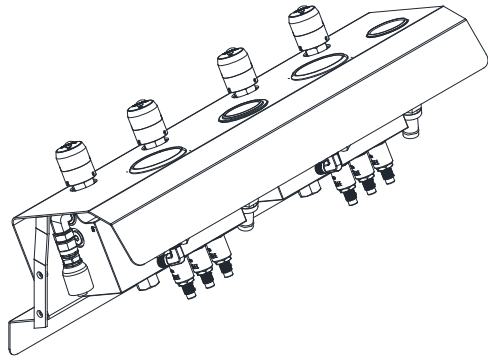


Figure 6-1
HV351212/19 Assembly
18



CONFIDENTIAL/PROPRIETARY INFORMATION. THIS DRAWING IS THE PROPERTY OF RGC AND IS FURNISHED FOR PURPOSES OF MANUFACTURING AND SHALL NOT BE USED/DISCLOSED BY RECIPIENT FOR ANY OTHER PURPOSE WHATSOEVER.	MATERIAL TOLERANCES UNLESS SPECIFIED ANGLES = ±0.5 DEG FRACTIONS = 1/16 DEC = ±0.005 XX = ±0.01 X = ±0.03	DRAWN BY NCT	DATE 3/19/2019		HV351212 '19 ASSEMBLY		REV
		CHECKED BY APR/20	DWG NO. 2535202		SCALE 1/4" = 1"	SIZE C	

Figure 6-1
HV351212'19 Control Panel Assembly
19