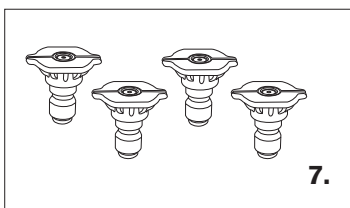
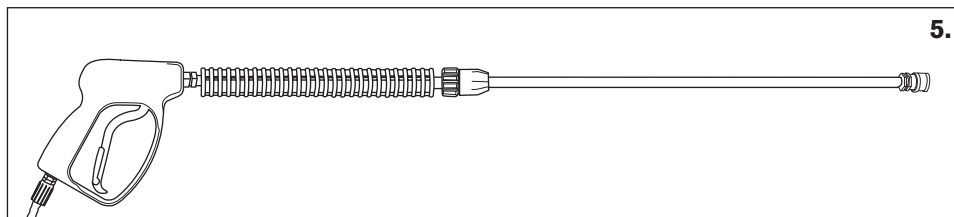
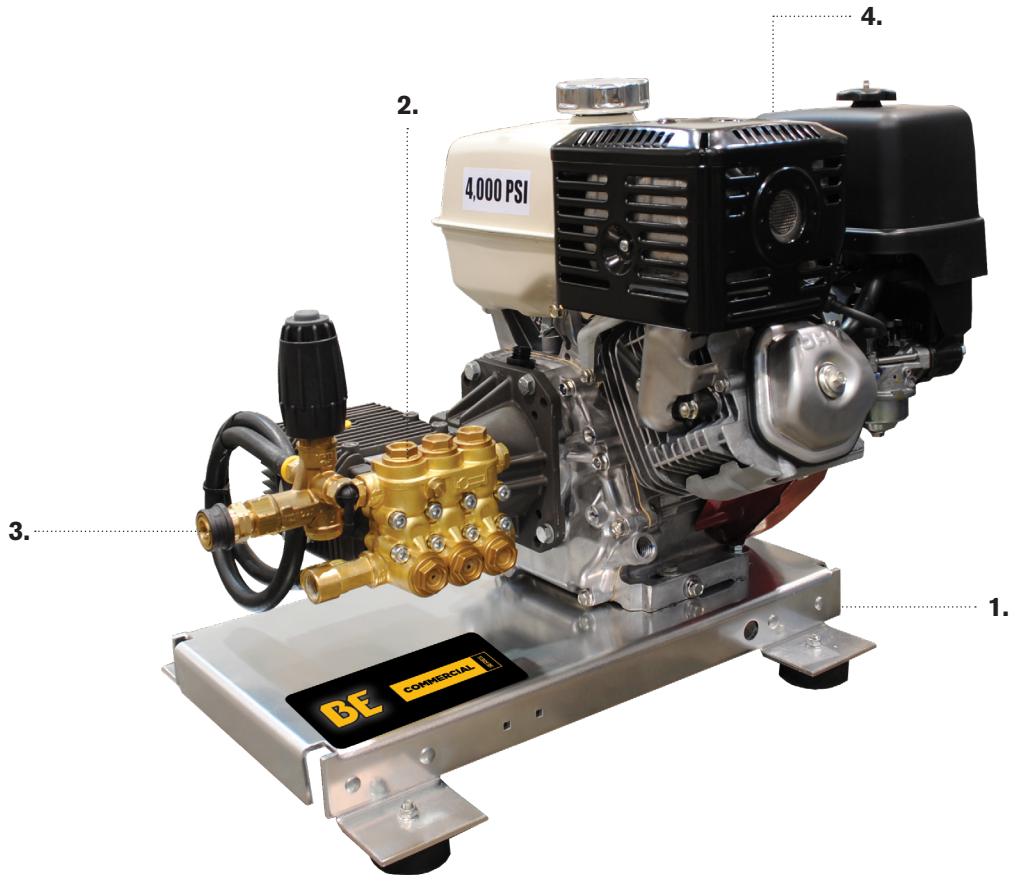


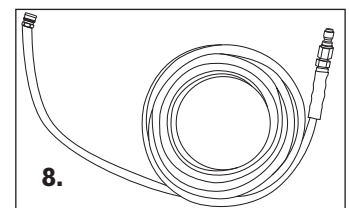


PRESSURE WASHER BREAKDOWN

B4013HTACS



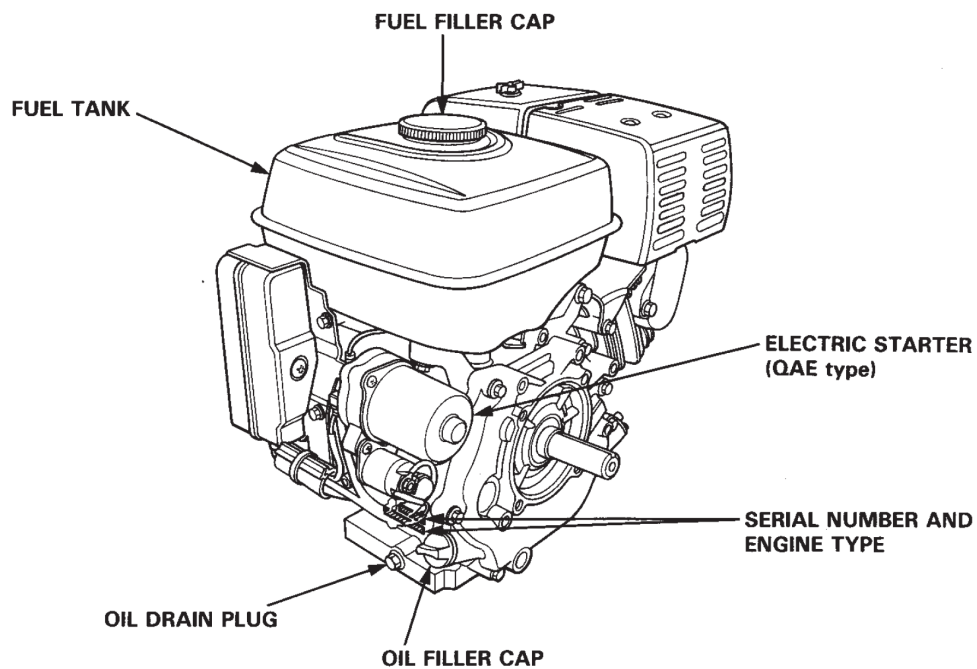
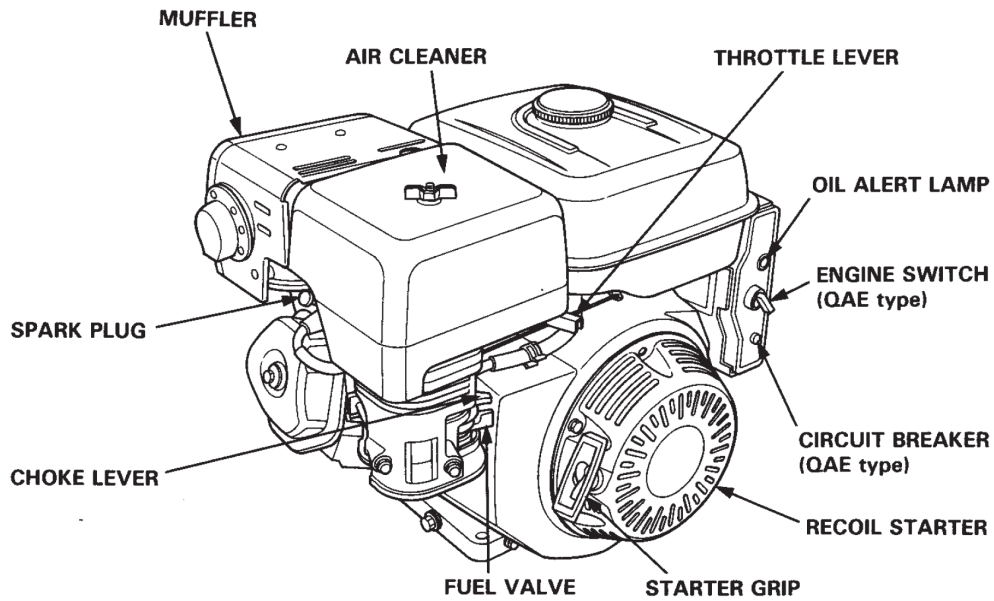
| REF # | DESCRIPTION | PART # |
|-------|----------------------|-------------|
| 1 | Aluminum Base Frame | 85.600.118 |
| 2 | Pump - Comet ZWD4040 | 85.149.022B |
| 3 | Unloader | 85.300.037 |
| 4 | Engine - Honda GX390 | 85.510.131 |
| 5 | Gun | 85.205.055 |
| 6 | Wand | 85.205.056 |
| 7 | Nozzle Set | 85.210.035 |
| 8 | Hose 50' x 3/8" | 85.238.153 |





PRESSURE WASHER BREAKDOWN

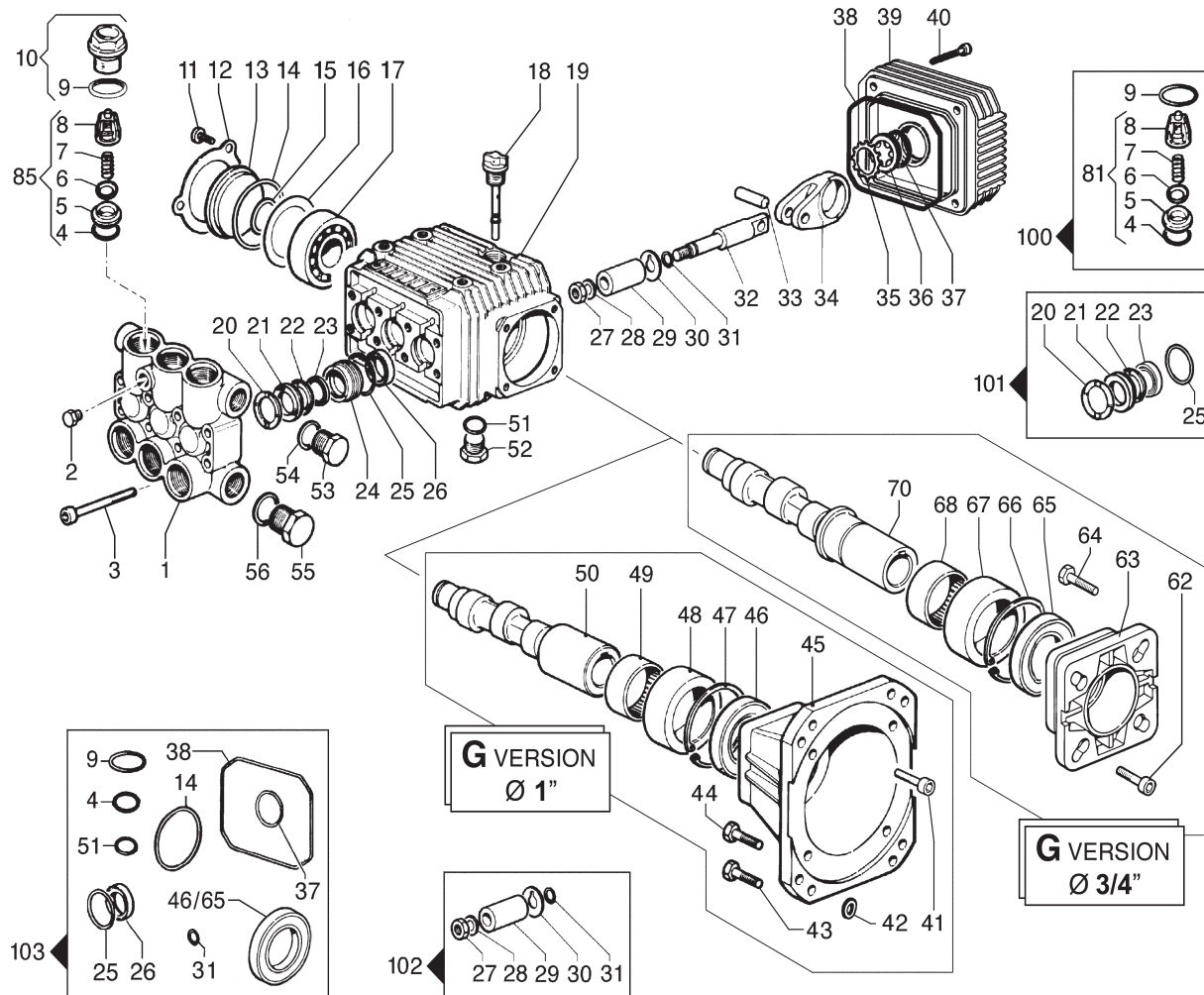
B4013HTACS





PRESSURE WASHER BREAKDOWN

B4013HTACS



| N° | Cod. | Descrizione | Description | Note | Q.ty | Model |
|----|-----------------|-------------------------|-----------------------|-------------|------|-----------------|
| 1 | 3218 0323 | Testata Pompa Ottone | Brass Pump Manifold | Ø15 | 1 | 2530 G - 2535 G |
| | | | | | 1 | 3030 G - 3035 G |
| | | | | | 1 | 3530 G - 3535 G |
| | | | | | 1 | 4030 G - 4035 G |
| | | | | | 1 | 3040 G - 3540 G |
| 1 | 4040 G | | | | | |
| 2 | 3202 0018 | Tappo | Plug | G1/8" | 1 | |
| | | | | | 1 | |
| 3 | 3609 0014 | Vite | Screw | M8x55 | 8 | |
| 4 | 1210 0046 | Guarnizione OR | O-Ring | 2,62x17,13 | 6 | |
| 5 | 3009 0087 | Sede Valv. Aspir./Mand. | Suct./Del. Valve Seat | | 6 | |
| 6 | 3604 0017 | Valvola Aspir./Mand. | Suct./Del. Valve | | 6 | |
| 7 | 1802 0177 | Molla | Spring | | 6 | |
| 8 | 1205 0025 | Gabbia Valv. Asp./Mand. | Suct./Del. Valve Cage | | 6 | |
| 9 | 1210 0048 | Guarnizione OR | O-Ring | 2,62x20,24 | 6 | |
| 10 | 3202 0312 | Tappo + O-Ring | Plug + O-Ring | | 6 | 2530 G - 2535 G |
| | | | | | 6 | 3030 G - 3035 G |
| | | | | | 6 | 3530 G - 3535 G |
| 6 | 4030 G - 4035 G | | | | | |
| 6 | 3040 G - 3540 G | | | | | |
| 6 | 4040 G | | | | | |
| 11 | 3609 0088 | Vite | Screw | M5x10 | 3 | |
| | | | | | 3 | |
| 12 | 1004 0012 | Flangia Tenuta | Crankcase Flange | | 1 | |
| 13 | 0402 0329 | Coperchio Alluminio | Aluminum Cover | | 1 | |
| 14 | 1210 0386 | Guarnizione OR | O-Ring | 3,53x44,04 | 1 | |
| 15 | 3019 0011 | Seeger Esterno | Outer Seeger | | 1 | |
| 16 | 0009 0275 | Distanziale | Spacer | 41x51,8x0,5 | 1 | |

| N° | Cod. | Descrizione | Description | Note | Q.ty | Model |
|----|-----------|----------------------|-------------------|------------|------|-------|
| 17 | 0438 0069 | Cuscinetto a Sfere | Ball Bearing | 20x52x15 | 1 | |
| 18 | 3200 0051 | Asta Livello Olio | Oil Dipstick | | 1 | |
| 19 | 0403 0141 | Carter Pompa | Pump Crankcase | | 1 | |
| 20 | 0009 0196 | Anello Pressione | Packing Head Ring | Ø15 | 3 | |
| 21 | 1241 0065 | Guarnizione Tenuta | Packing | Ø15 | 3 | |
| 22 | 0009 0223 | Anello Posteriore | Back Ring | Ø15 | 3 | |
| 23 | 1241 0030 | Guarnizione Tenuta | Packing | 15x22x5,5 | 3 | |
| 24 | 0009 0222 | Anello Portaguarniz. | Packing Retainer | Ø15 | 3 | |
| 25 | 1210 0223 | Guarnizione OR | O-Ring | 1,78x26,7 | 3 | |
| 26 | 0019 0095 | Anello Tenuta | Oil Seal | 15x24x5 | 3 | |
| 27 | 0600 0048 | Dado Speciale | Special Bolt | | 3 | |
| 28 | 2811 0080 | Rondella | Washer | 8,2x14x1,5 | 3 | |
| 29 | 0202 0020 | Bussola Ceramica | Ceramic Bushing | Ø15 | 3 | |
| 30 | 2812 0038 | Rondella | Washer | | 3 | |
| 31 | 1210 0055 | Guarnizione OR | O-Ring | 1,78x6,07 | 3 | |
| 32 | 2409 0044 | Pistone Guida | Piston Guides | | 3 | |
| 33 | 3011 0014 | Spinotto | Gudgeon Pin | | 3 | |
| 34 | 0205 0050 | Kit Biella | Con. Rod Assembly | | 3 | |
| 35 | 3019 0033 | Seeger Esterno | Outer Seeger | Ø28 o Ø18? | 1 | |
| 36 | 3201 0026 | Spia Livello Olio | Oil Indicator | | 1 | |
| 37 | 1210 0333 | Guarnizione OR | O-Ring | 1,78x23,52 | 1 | |
| 38 | 1210 0621 | Guarnizione OR | O-Ring | 3,0x94 | 1 | |
| 39 | 0402 0220 | Coperchio | Cover | | 1 | |
| 40 | 3609 0180 | Vite | Screw | M6x55 | 4 | |
| 41 | 3609 0032 | Vite | Screw | M6x20 | 4 | |
| 42 | 2811 0098 | Rondella | Washer | 10,5x18x2 | 4 | |



PRESSURE WASHER BREAKDOWN

B4013HTACS

| N° | Cod. | Descrizione | Description | Note | Qty | Model |
|----|-----------|--------------------|-----------------|----------------|-----|---------------------------|
| 43 | 3607 0119 | Vite Testa Esagono | Hexagonal Screw | 5/16"24 UNFx1" | 4 | |
| 44 | 3607 0168 | Vite Testa Esagono | Hexagonal Screw | 3/8"16 UNCx1" | 4 | |
| 45 | 3016 0023 | Flangia | Flange | 1" | 1 | |
| 46 | 0019 0102 | Anello Tenuta Olio | Oil Seal | 40x62x7 | 1 | |
| 47 | 3020 0012 | Seeger Interno | Inner Seeger | | 1 | |
| 48 | 0204 0038 | Bussola | Bushing | | 1 | |
| 49 | 0437 0045 | Cuscinetto | Bearing | 40x47x16 | 1 | |
| 50 | 0001 0448 | Albero Eccentrico | Eccentric Shaft | 1" | 1 | 3030 G - 3035 G 3040 G |
| | 0001 0386 | Albero Eccentrico | Eccentric Shaft | 1" | 1 | 3530 G - 3535 G 3540 G |
| | 0001 0449 | Albero Eccentrico | Eccentric Shaft | 1" | 1 | 4030 G - 4035 G 4040 G |
| 51 | 1210 0441 | Guarnizione OR | O-Ring | 2x14 | 1 | |
| 52 | 3200 0007 | Tappo | Cap | 3/8 GAS | 1 | |
| 53 | 3200 0007 | Tappo | Cap | 3/8 GAS | 1 | |
| 54 | 2811 0084 | Rondella | Washer | 16,7x22x1,5 | 1 | |
| 55 | 3202 0015 | Tappo | Cap | G1/2" OT | 1 | |
| 56 | 2811 0086 | Rondella | Washer | 21,2x27x1,5 | 1 | |

| N° | Cod. | Descrizione | Description | Note | Qty | Model |
|----|-----------|-------------------------|----------------------------|----------------|-----|-----------------|
| 62 | 3609 0032 | Vite | Screw | M6x20 | 4 | |
| 63 | 3016 0012 | Flangia | Flange | SAE J 609 A | 1 | |
| 64 | 3607 0199 | Vite Testa Esagonale | Hexagonal Screw | 5/16"24 UNFx1" | 4 | |
| 65 | 0019 0102 | Anello Tenuta Olio | Oil Seal | 40x62x7 | 1 | |
| 66 | 3020 0012 | Seeger Interno | Inner Seeger | | 1 | |
| 67 | 0204 0038 | Bussola | Bushing | | 1 | |
| 68 | 0437 0045 | Cuscinetto | Bearing | 40x47x16 | 1 | |
| 70 | 0001 0399 | Albero Femmina | Hollow Shaft | Ø 3/4" | 1 | 2530 G - 2535 G |
| 70 | 0001 0561 | Albero Femmina | Hollow Shaft | Ø 3/4" | 1 | 3035 G |
| 85 | 1220 0030 | Gruppo Valv. Asp./Mand. | Suct./Del. Valve Ass.y kit | | 6 | |

Kit Ricambi

Spare Parts Kit

| N° | Cod. | Descrizione | Description | Note | Qty | Model |
|-----|-----------|-----------------------|----------------|------|-----|-------|
| 100 | 5025 0011 | Kit Valvole | Valve Kit | | 1 | |
| 101 | 5019 0064 | Kit Guarnizioni Acqua | Water Seal Kit | | 1 | |
| 102 | 2409 0071 | Kit Pistone | Piston Kit | Ø15 | 1 | |
| 103 | 5019 0065 | Kit Guarnizioni Olio | Oil Seal Kit | | 1 | |