

PARTS MANUAL



StreetPro SERIES MODEL SP1E16A PROFESSIONAL PAVEMENT SAW (5HP ELECTRIC MOTOR)

Revision #1 (09/27/19)

THIS MANUAL MUST ACCOMPANY THE EQUIPMENT AT ALL TIMES.

PN: 38271

SUGGESTED SPARE PARTS

SP1E16A PAVEMENT SAW WITH 5HP ELECTRIC MOTOR

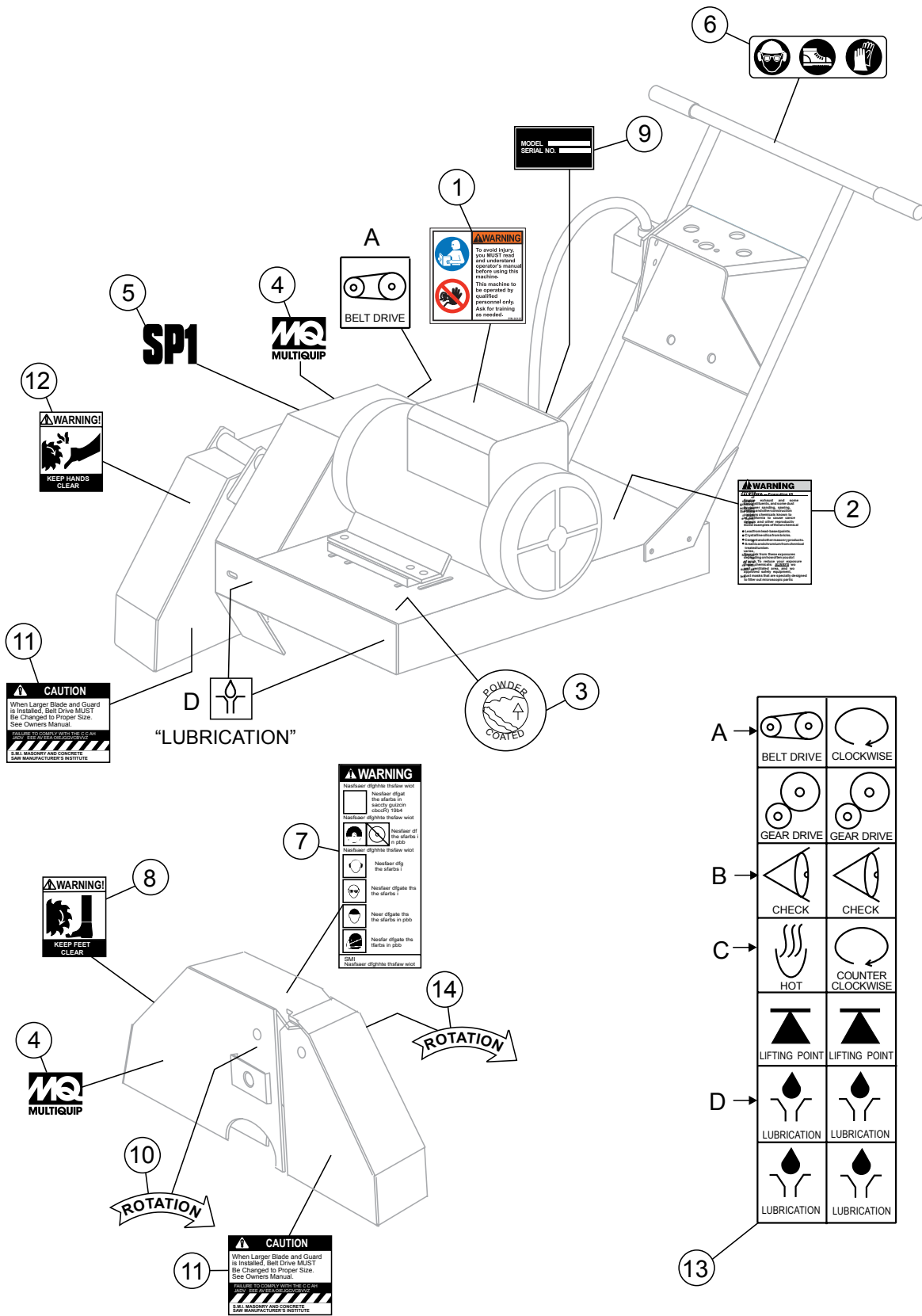
1 to 3 units

Qty.	P/N	Description
3.....	20478.....	HAND GRIP
4.....	2621.....	GREASE ZERK, SPINDLE BEARING
4.....	1162 A.....	CAP, GREASE ZERK
3.....	16779-006.....	BELT (3VX300) 5HP ELECTRIC MOTOR
2.....	23668001.....	6" REAR WHEEL
2.....	26221001.....	4" FRONT WHEEL

NOTICE

Part numbers on this Suggested Spare Parts list may supersede/replace the part numbers shown in the following parts lists.

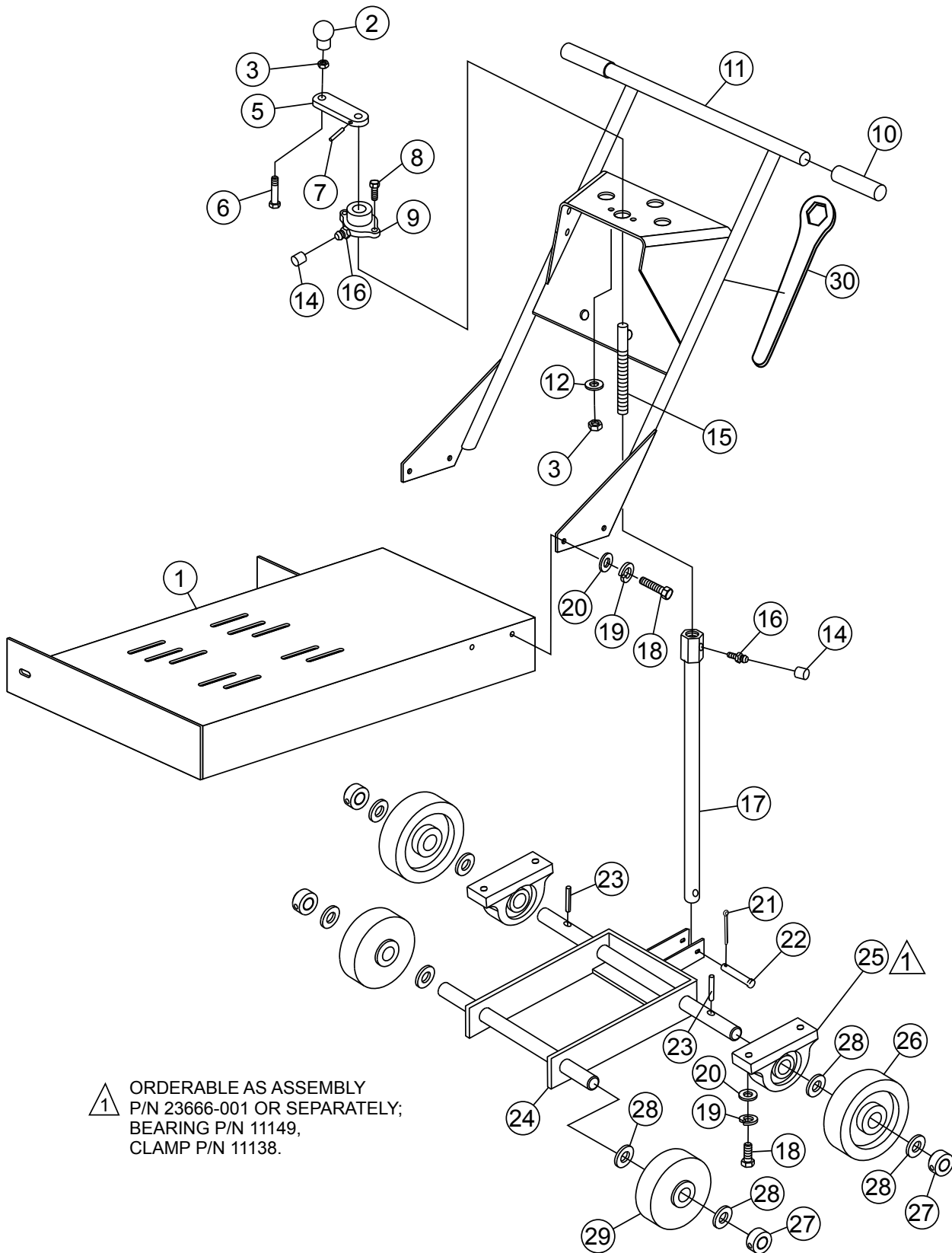
NAMEPLATE AND DECALS ASSY.



NAMEPLATE AND DECALS ASSY.

<u>NO.</u>	<u>PART NO.</u>	<u>PART NAME</u>	<u>QTY.</u>	<u>REMARKS</u>
1	35137	DECAL, READ MANUAL ASK FR TRAINING	1	
2	20525	DECAL, PROP 65 WARNING	1	
3	13118	DECAL, POWDER COATED	1	
4	38213	DECAL, MQ MULTIQUIP	3	
5	25783	DECAL, SP 1	3	
6	11247	DECAL, ISO SAFETY GEAR	1	
7	22122-001	DECAL, WARNING	1	
8	25250-001	DECAL, WARNING FEET	1	
9		SERIAL NUMBER PLATE.....	1.....	CONTACT PARTS DEPT.
10	25491	DECAL, ROTATION CW	1	
11	23330-001	DECAL, CAUTION BLADE GUARD	2	
12	25249-001	DECAL, WARNING HANDS	1	
13	11246	DECAL SHEET, INTL STDS	1	
14	25678	DECAL, ROTATION CCW	1	

FRAME/UNDERCARRIAGE ASSY.

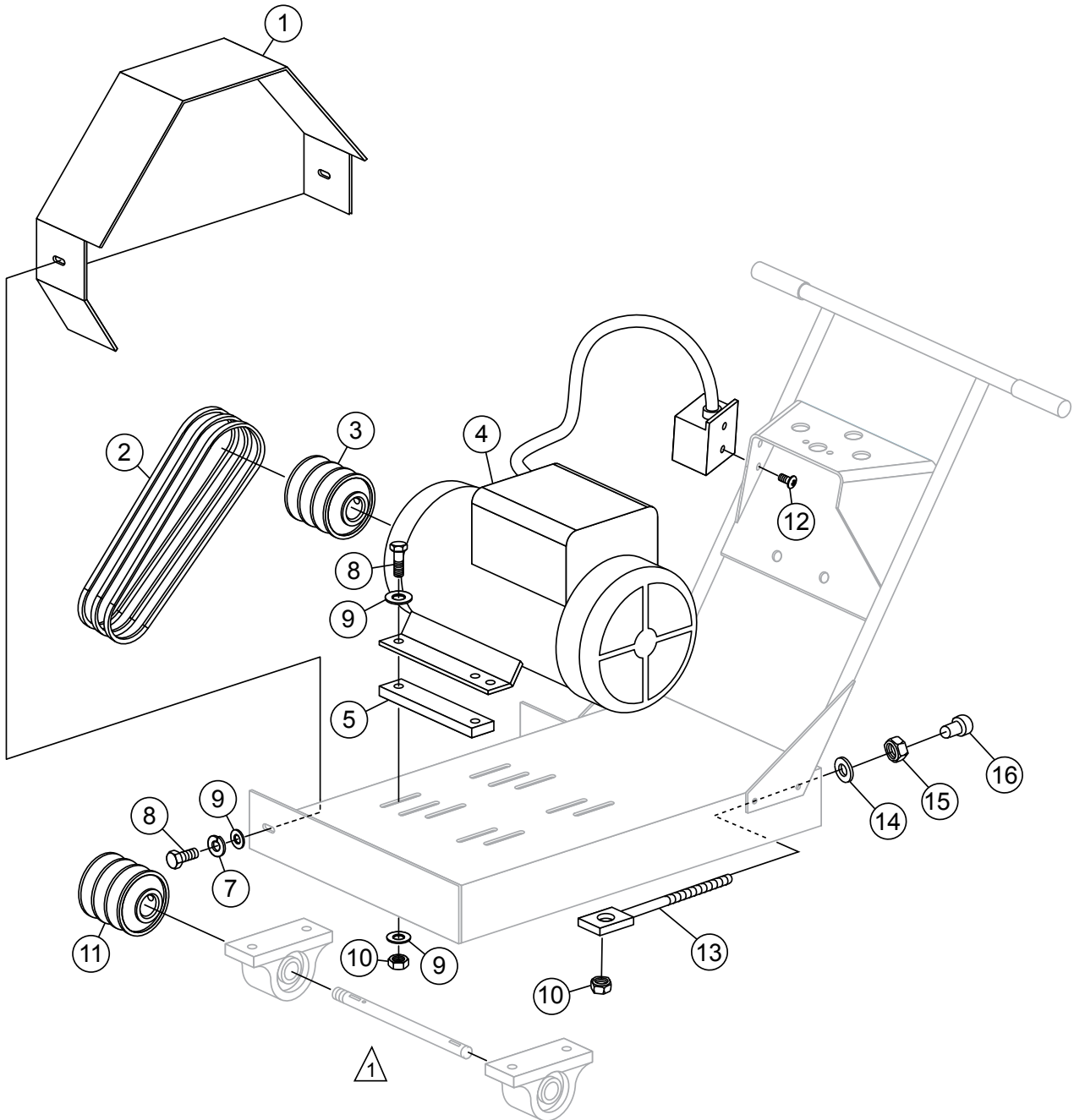


△ ORDERABLE AS ASSEMBLY
P/N 23666-001 OR SEPARATELY;
BEARING P/N 11149,
CLAMP P/N 11138.

FRAME/UNDERCARRIAGE ASSY.

<u>NO.</u>	<u>PART NO.</u>	<u>PART NAME</u>	<u>QTY.</u>	<u>REMARKS</u>
1	26145-351	FRAME	1	
2	4403	KNOB, ROUND 1-3/8 DIA X 3/8-16 BLACK	1	
3	5283	HEX NUT, 5/16 - 18, NYLOC	3	
5	28808-002	CRANK HANDLE	1	
6	1121	BOLT	1	
7	4568	ROLL PIN 3/16 X 1	1	
8	2623	BOLT, CARRIAGE 5/16-18 X 1-1/2	2	
9	23284-001	FLANGE BEARING	1	
10	15081	HAND GRIP	2	
11	26126-353	HANDLE	1	
12	0300 B	FLATWASHER 5/16	2	
14	1162 A	CAP, GREASE ZERK	4	
15	26137-002	ACME SCREW	1	
16	2621	ZERK, GREASE STR 1/4 - 28	4	
17	29408-352	JACK ARM (SUPPORT TUBE)	1	
18	0205	SCREW, HHCS 3/8 - 16 X 1-1/4	4	
19	0166 A	LOCKWASHER, 3/8	4	
20	10136	FLATWASHER 3/8	4	
21	6014 B	COTTER PIN 3/32 X 1	1	
22	08326-019	PIN 3/8 X 2-5/16	1	
23	07402-024	ROLL PIN 1/8 X 1-1/2	2	
24	26120-352	WHEEL BASE ASSEMBLY	1	
25	23666-001	CLAMP & BEARING ASSEMBLY	2	
25A	11138	CLAMP ASSEMBLY	2	
25B	11149	BEARING	2	
26	23668-001	REAR WHEEL, 6 X 2	2	
27	25181-001	LOCKING COLLAR	4	
28	8151	FLATWASHER, 3/4	6	
29	26121-001	FRONT WHEEL	2	
30	29013-001	WRENCH, BOX END, 1-1/2"	1	

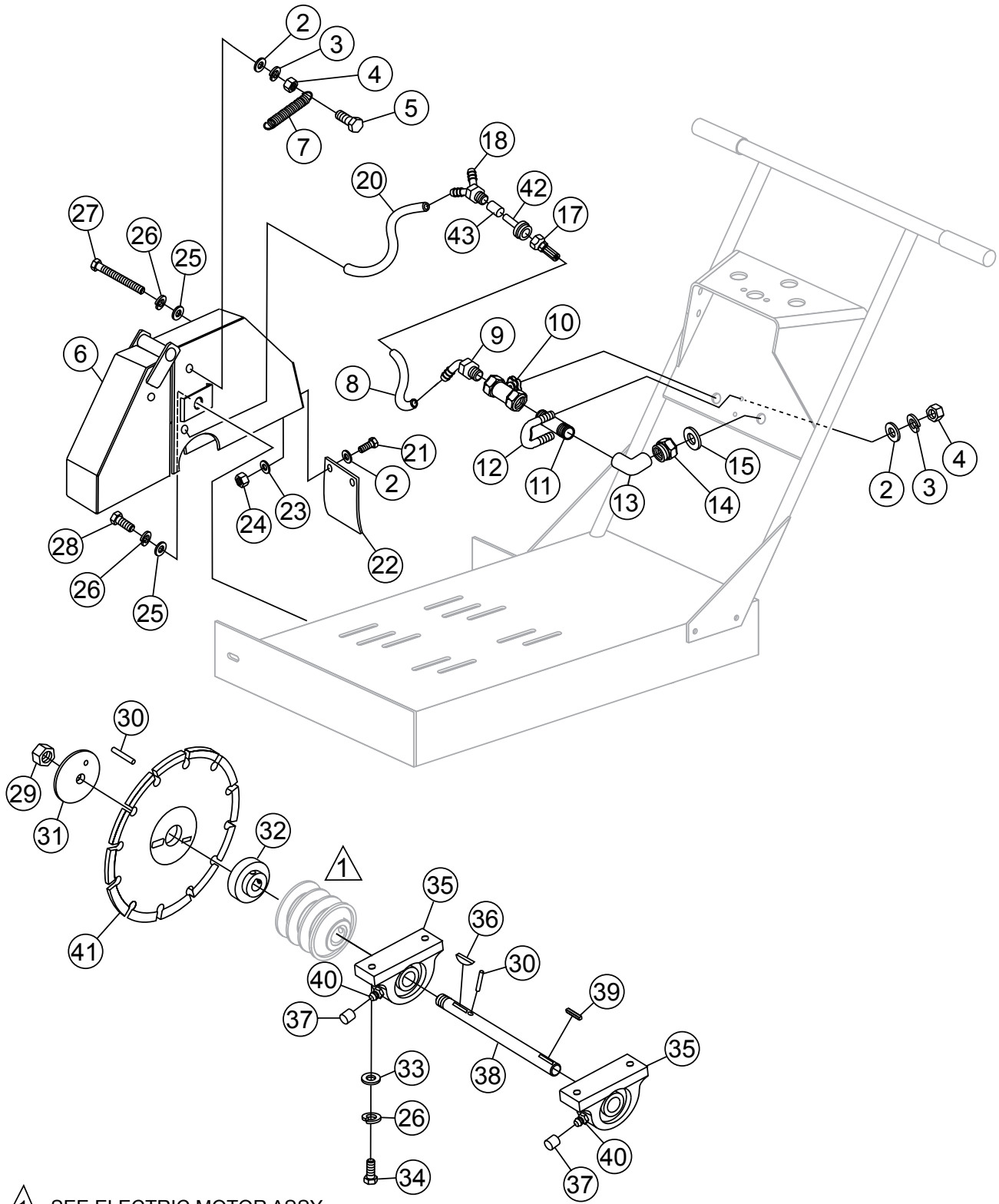
ELECTRIC MOTOR ASSY.



ELECTRIC MOTOR ASSY.

<u>NO.</u>	<u>PART NO.</u>	<u>PART NAME</u>	<u>QTY.</u>	<u>REMARKS</u>
1	26142-354	BELT GUARD, YELLOW	1	
2	16779-006	BELT - 3VX300	3	
3	23665-005	PULLEY, MOTOR	1	
4	26152-502	MOTOR, 5 HP ELECTRIC	1	
5	27084-002	SPACER	2	
7	0166 A	WASHER, LOCK, 3/8 MED	2	
8	2623	SCREW, HHC 5/16 - 18 X 1-1/4"	4	
9	0300 B	WASHER, FLAT 5/16	8	
10	5283	NUT, 5/16 - 18 LOCK	4	
11	23665-009	PULLEY, SPINDLE	1	
12	23865-001	SCREW, HHWTF 10-24 X 5/8	2	
13	23811-352	BELT TIGHTENER	1	
14	EM923025	WASHER, FLAT 3/8 SAE	1	
15	10133	NUT, NYLOC 3/8-16	1	
16	10779-011	PROTECTOR	1	

BLADE AND WATER ASSY.

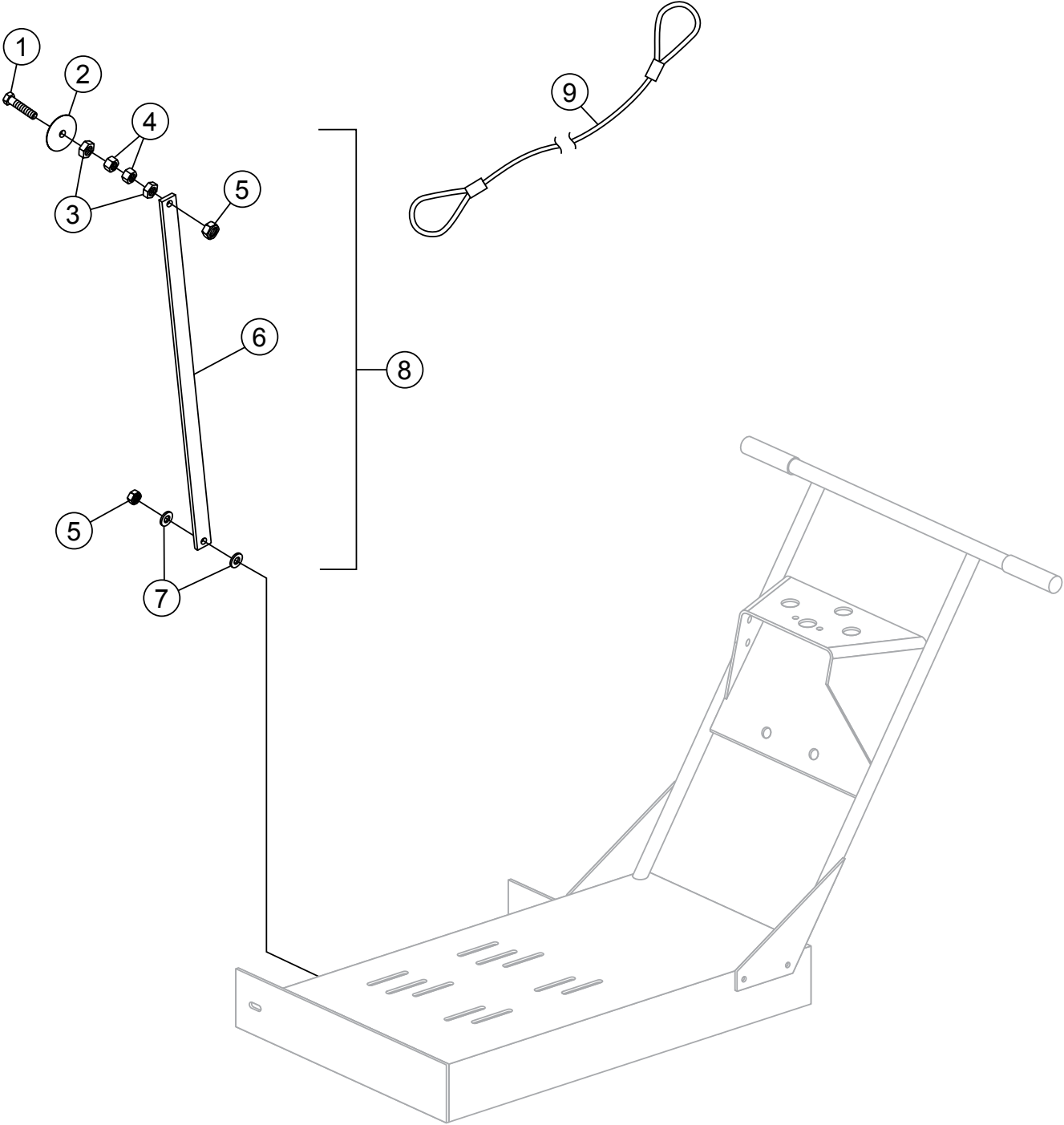


1 SEE ELECTRIC MOTOR ASSY.

BLADE AND WATER ASSY.

<u>NO.</u>	<u>PART NO.</u>	<u>PART NAME</u>	<u>QTY.</u>	<u>REMARKS</u>
2	0948	FLATWASHER, 1/4	5	
3	0181B	LOCK WASHER 1/4	5	
4	0949	HEX NUT 1/4 - 20	5	
5	0424	SCREW, HHCS 1/4 - 20 X 1	4	
6	29406-352	BLADE GUARD 16"	1	
7	18626-001	SPRING	2	
8	23255-011	HOSE 26"	1	
9	23566-001	BARBED FITTING 90 DEG.	1	
10	35122-402	VALVE	1	
11	11708	NIPPLE 1/2	1	
12	16378-005	U-BOLT 1/4	1	
13	23252-002	ELBOW 1/2	1	
14	15544	CONNECTOR, GARDEN HOSE	1	
15	13336-001	WASHER, RUBBER	1	
17	24778-001	SWIVEL CONNECTOR	1	
18	14233-004	Y-FITTING	1	
20	60021	HOSE, 1.0 FT.....	2.....	SOLD PER FOOT
21	0131A	SCREW, HHCS 1/4 - 20 X 3/4	2	
22	28729-005	CHIP GUARD	1	
23	10930	FENDER WASHER 1/4	2	
24	10024	LOCKNUT, 1/4 - 20	2	
25	10136	FLATWASHER 3/8	6	
26	0166A	LOCKWASHER 3/8	2	
27	06501-032	SCREW, HHCS 3/8 - 16 X 4	1	
28	0205	SCREW, HHCS 3/8 - 16 X 1	1	
29	06922-003	NUT L.H. 1 - 1/4	1	
30	24894-020	DOWEL PIN 3/8 X 1-1/4	2	
31	26928-004	FLANGE, OUTER	1	
32	28811-001	FLANGE, INNER	1	
33	4001	FLATWASHER	4	
34	1284	SCREW, HHCS 3/8 - 16 X 1-1/2	4	
35	3200	BEARING	2	
36	0125	WOODRUFF KEY 1/4 X 1	1	
37	1162 A	CAP, GREASE ZERK	2	
38	26136-004	SPINDLE	1	
39	6059 B	KEY 1/4 X 1-3/4	1	
40	2621	GREASE ZERK	2	
41		BLADE	1.....	CONTACT MQ UNIT SALES
42	28876-001	FITTING, BRASS 3/8 BARB X 3/4M GRDN	1	
43	60021	HOSE, 2 IN.	1	

POINTER ASSY.



POINTER ASSY.

<u>NO.</u>	<u>PART NO.</u>	<u>PART NAME</u>	<u>QTY.</u>	<u>REMARKS</u>
1	21017	SCREW, POINTER ARM	1	
2	29043-001	WHEEL, POINTER	1	
3	1007	NUT, HEX JAM 3/8 - 16	2	
4	1456	NUT, HEX FINISH 3/8 - 16	2	
5	10133	NUT, NYLOC 3/8 - 16	2	
6	27073-001	ARM, POINTER	1	
7	10136	WASHER, FLAT 3/8	2	
8	29042-501	INDICATOR ASSEMBLY	1	
9	15830	LANYARD	1	