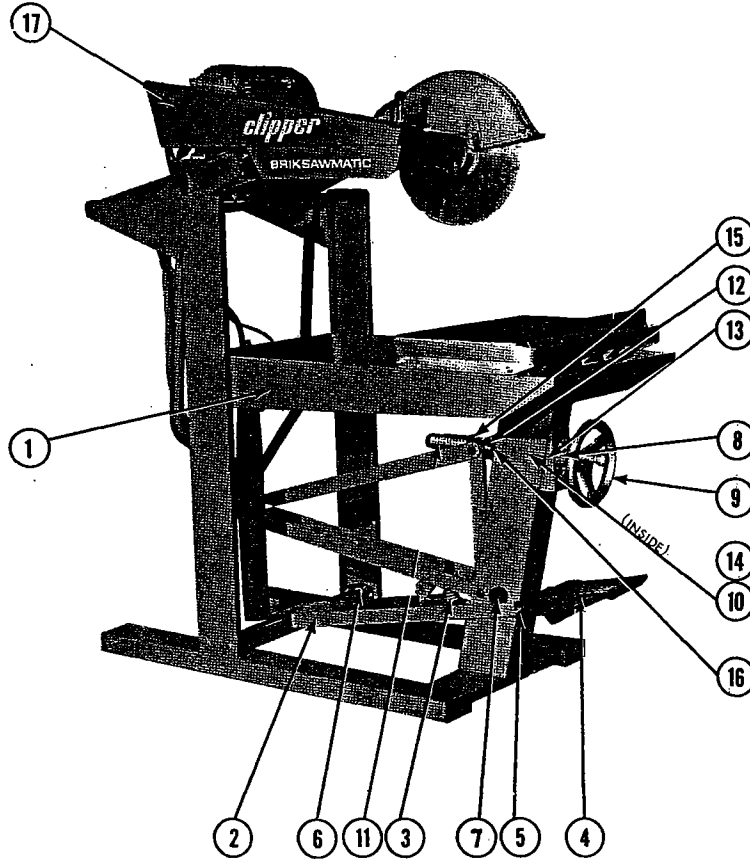


clipper

MASONRY SAWS

Parts List

MO 176
 Models: BP-314, BP-320,
 BP-514, BP-520,
 BP-714 & BP-720



ORDERING INFORMATION

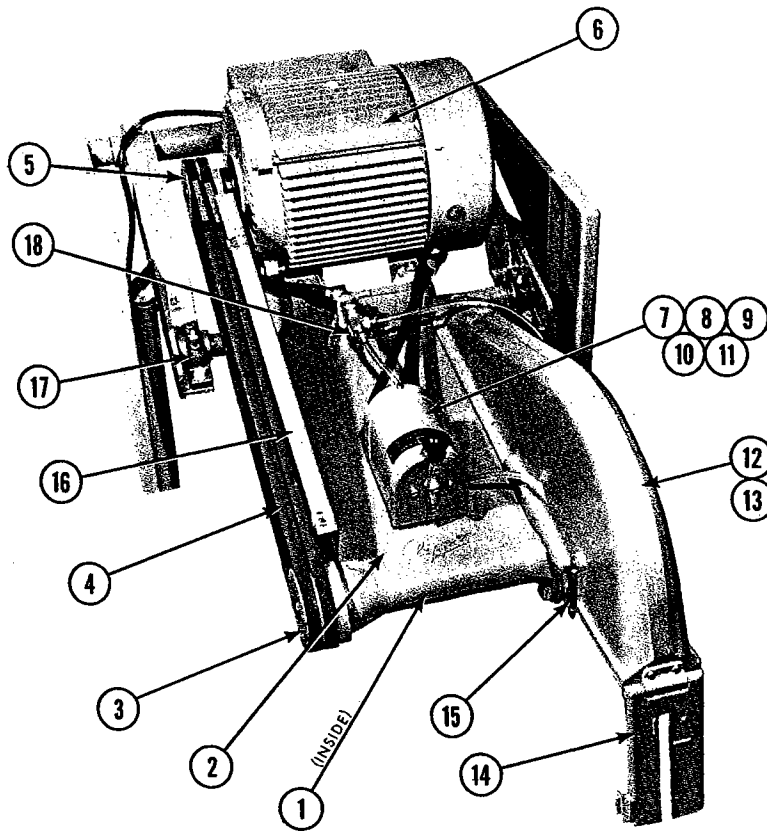
1. LIST MODEL NUMBER AND SERIAL NUMBER OF MACHINE.
2. LIST PART NUMBER AND DESCRIPTION OF PART (NOT ITEM NO.)
3. WHENEVER ALTERNATE PARTS ARE SHOWN DUE TO PRODUCT IMPROVEMENT, INSPECT THE PART YOU HAVE AND PROVIDE ADDITIONAL DESCRIPTION AS NECESSARY.
4. SPECIFY MODE OF SHIPPING DESIRED, FOR EXAMPLE, PARCEL POST, TRUCK, AIR FREIGHT, U.P.S. BEST WAY, ETC.

WARRANTY

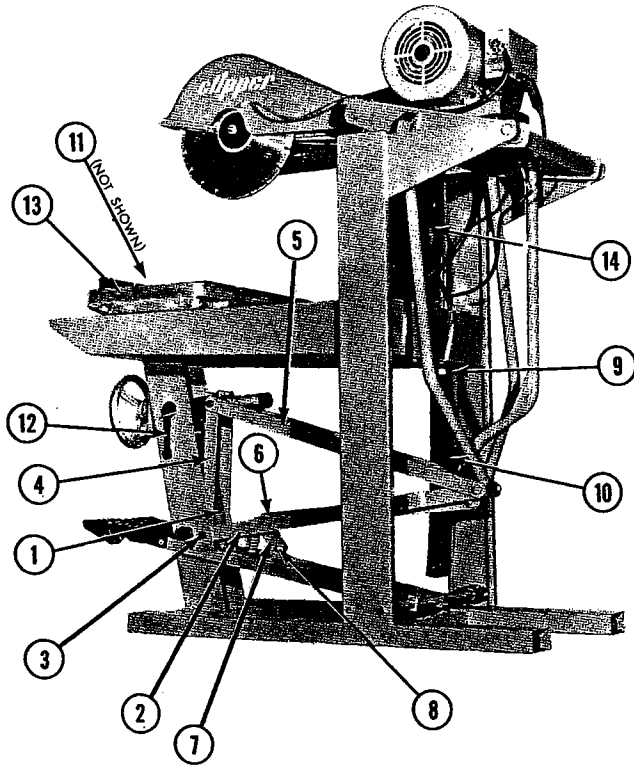
NORTON WARRANTS ALL PRODUCTS MANUFACTURED BY IT AGAINST DEFECTS IN WORKMANSHIP OR MATERIALS FOR A PERIOD OF ONE (1) YEAR FROM THE DATE OF SHIPMENT TO CUSTOMER. THE RESPONSIBILITY OF NORTON UNDER THIS WARRANTY IS LIMITED TO REPLACEMENT OR REPAIR OF DEFECTIVE PARTS AT NORTON'S WORCESTER, MASS. FACTORY, OR AT A POINT DESIGNATED BY IT, OF SUCH PART AS SHALL APPEAR TO US UPON INSPECTION AT SUCH POINT TO HAVE BEEN DEFECTIVE IN MATERIAL OR WORKMANSHIP, WITH EXPENSE FOR TRANSPORTATION AND LABOR BORNE BY CUSTOMER. IN NO EVENT SHALL NORTON BE LIABLE FOR CONSEQUENTIAL DAMAGES ARISING OUT OF THE FAILURE OF ANY PRODUCT TO OPERATE PROPERLY. INTEGRAL UNITS SUCH AS GASOLINE ENGINES, ELECTRIC MOTORS, TRANSMISSIONS, ETC. ARE EXCLUDED FROM THIS WARRANTY AND ARE SUBJECT TO THE PRIME MANUFACTURER'S WARRANTY. THIS WARRANTY IS IN LIEU OF ALL OTHER WARRANTIES, EXPRESS OR IMPLIED.

ITEM NO.	DESCRIPTION	QTY.	PART NO.
	FRAME WELDMENT	OBS 1	212154
1	*FRAME KIT - WET (INCLUDES FRAME, FOOT PEDAL, TILT BAR, RAISING MECHANISM, YOKE WELDMENT, SWING ARM WELDMENT, PILLOW BLOCKS & WATER PUMP)	1	212217
	FRAME KIT - DRY (INCLUDES FRAME, FOOT PEDAL, TILT BAR, RAISING MECHANISM, YOKE WELDMENT, SWING ARM WELDMENT, PILLOW BLOCKS - NO WATER PUMP)	1	212218
2	FOOT PEDAL ASSEMBLY	1	212158
	COMPRESSION SPRING	1	200035
3	CARRIAGE BOLT	1	212248
	WING NUT (3/8-16 NC)	1	8166009
4	FOOT TREAD WELDMENT	1	212137
5	CAPSCREW (3/8-16 NC X 6-1/2" LG. HEX. HD.)	1	8041043
	LOCKNUT (3/8-16 NC HEX.)	1	8160003
	BEARING (PIVOT)	OBS 2	212176
6	CAPSCREW (5/16-18 NC X 1" LG. HEX. HD.)	4	8041028
	LOCKNUT (5/16-18 NC HEX.)	4	8160002
7	FOOT PEDAL BUMPER ASSEMBLY	OBS 2	212239
	BEARING	1	210071
8	CAPSCREW (3/8-16 NC X 1-1/4" LG. HEX. HD.)	2	8041051
	LOCKNUT (3/8-16 NC HEX.)	2	8160003
9	HANDWHEEL	219034 1	212141
	ROLL PIN (1/4" DIA. X 2" LG.)	OBS 1	8195232
10	RAISING SCREW ASSEMBLY (INCL. ITEM 11, 12, 14, 15, & 16)	1	212197
11	SCREW COVER ASSEMBLY (INCL. RUBBER CAP)	1	212182
	RUBBER CAP	1	210077
12	ADJUSTING SCREW NUT ASSY. (INCL. SHOULDER BOLT)	1	850064
	SHOULDER BOLT	2	210210
13	PROTECTOR TUBE ASSEMBLY (NOT SHOWN)	1	212184
14	RAISING SCREW	1	212181
	ROLL PIN (3/16" DIA. X 1-1/8" LG.)	1	8195165
15	CLAMP	3	210073
	BOOT	1	120870
17	BELT GUARD ASSEMBLY (INCLUDES REPLACEMENT PARTS LISTED BELOW & ITEM 16 FIG. 5)	1	212199
	MACHINE SCREW (1/4-20 N.C. X 1/2" LG. RD. HD)	4	8062175
	WASHER (1/4 S.A.E.)	4	8172007

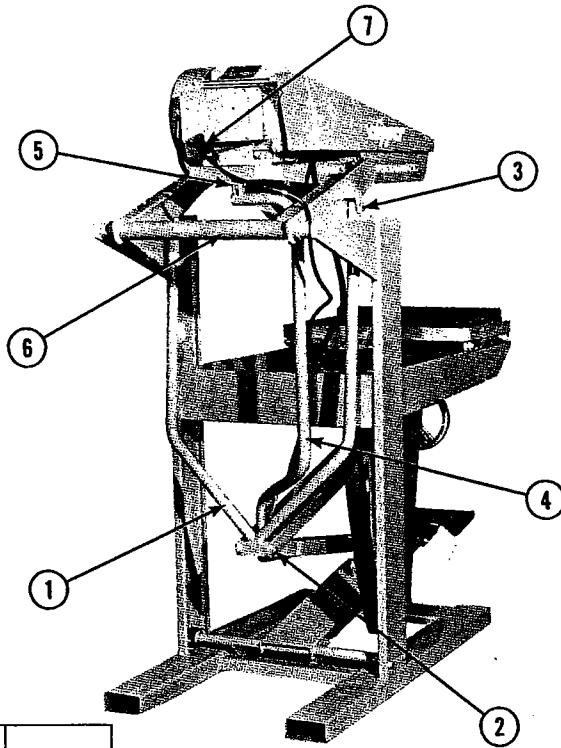
* USED ON WET CUTTING MODELS ONLY



ITEM NO.	DESCRIPTION	PART NO.	ITEM NO.	DESCRIPTION	PART NO.
1	BLADESHAFT REPLACEMENT KIT (INCLUDES REPLACEMENT PARTS LISTED BELOW)	217007	7	SWITCH & WIRING ASSEMBLY(DUAL VOLTAGE FOR 3 HP SINGLE PHASE(BP-314 & BP-320)(INCLUDES REPLACEMENT PARTS LISTED BELOW)	OBS 210705
	BEARING (PULLEY SIDE)	212142		DRUM SWITCH (ONLY)	210704
	LOADING SPRING	212139		SWITCH HANDLE (ONLY) FOR DRUM SWITCH	200448
	LOOSE COLLAR	200132		STOP BRACKET (ONLY) FOR DRUM SWITCH	200466
2	CASTING CUTTING HEAD (INCLUDES PIVOT BAR)	OBS 212100	8	SWITCH & WIRING ASSEMBLY (SINGLE VOLTAGE FOR 5 HP SINGLE PHASE (BP-514 & BP-520)	210668
	CUTTING HEAD KIT (CASTING & PIVOT BAR WITH BLADE SHAFT & BEARINGS INSTALLED)	212225		DRUM SWITCH (ONLY)	210014
	THE FOLLOWING CUTTING HEAD KITS INCLUDE CUTTING HEAD, BLADE GUARD, BELT GUARD, PULLEYS, BELTS (NO MTR. SW. & WIRING:			SWITCH HANDLE (ONLY) FOR DRUM SWITCH	200448
	*CUTTING HEAD KIT - WET (BP-314 & BP-514)	212213	9	SWITCH & WIRING ASSEMBLY(SINGLE VOLTAGE FOR 3 & 5 HP, THREE PHASE (BP-314 & BP-320 (BP-514 & BP-520) INCLUDES REPLACEMENTS BELOW	OBS 210787
	CUTTING HEAD KIT - DRY (BP-314 & BP-514)	212214		DRUM SWITCH (ONLY)	210305
	*CUTTING HEAD KIT - WER (BP-714)	212243		SWITCH HANDLE (ONLY) FOR DRUM SWITCH	200448
	CUTTING HEAD KIT - DRY (BP-714)	212244	10	SWITCH & WIRING ASSEMBLY 220 VOLT, 3 PHASE, MAGNETIC STARTER (BP-714 & BP-720) INCLUDES REPLACEMENT PARTS LISTED BELOW	212274
	*CUTTING HEAD KIT - WET (BP-320 & BP-520)	212215		MAGNETIC STARTER (ONLY)	216171
	CUTTING HEAD KIT - DRY (BP-320 & BP-520)	212216		HEATER 220 VOLT	215457
	*CUTTING HEAD KIT - WER (BP-720)	212245		STARTER BUTTON	212011
	CUTTING HEAD KIT - DRY (BP-720)	212246		STOP BUTTON	OBS 212011
	THE FOLLOWING CUTTING HEAD KITS INCLUDE CUTTING HEAD, BLADE GUARD, BELT GUARD, MOTOR, PULLEYS, WATER PUMP, L, SW. & WIRING:		11	SWITCH & WIRING ASSEMBLY (440 VOLT, 3 PHASE, MAGNETIC STARTER (RP-714 & BP-720) INCLUDES REPLACEMENT PARTS LISTED BELOW	OBS 212275
	*CUTTING HEAD KIT-WET-3HP 115/230/60/1(C314)	212205		MAGNETIC STARTER (ONLY)	215171
	CUTTING HEAD KIT-DRY-3HP 115/230/60/1 (314)	212206		STARTER BUTTON	212011
	*CUTTING HEAD KIT-WET-3HP 115/230/60/1(320)	212207		HEATER (440 VOLT)	215458
	CUTTING HEAD KIT-DRY-3HP 115/230/60/1(320)	212208		STOP BUTTON	212011
	*CUTTING HEAD KIT-WET-5HP 230/60/1 (BP-514)	212209	12	BLADE GUARD ASSEMBLY-14"	210592
	CUTTING HEAD KIT-DRY-5HP 230/60/1 (BP-514)	212210	13	BLADE GUARD ASSEMBLY-20"	210595
	*CUTTING HEAD KIT-WET-5HP 230/60/1 (BP-520)	212211	14	BLADE GUARD COVER ASSEMBLY	210599
	CUTTING HEAD KIT-DRY-5HP 230/60/1 (BP-520)	212212	15	SPRING CLIP ASSEMBLY	210597
3	PULLEY (BLADE SHAFT)(BP-314, 514, 714)	210164	16	GUARD MOUNTING ASSEMBLY	216136
	PULLEY (BLADE SHAFT)(BP-320, 520, 720)	210254	17	SPEED NUT (REPLACEMENT PART)	210616
4	V-BELT (MATCHED PAIR)	210162	18	PILLOW BLOCK ASSEMBLY	212130
	PULLEY (MOTOR)(BP-314 & BP-514) 60 CYCLE	210008		ADJUSTING SCREW ASSEMBLY (BELT TENSION)	216177
	PULLEY (MOTOR)(BP-314 & BP-514) 50 CYCLE	OBS 210006			
	PULLEY (MOTOR)(BP-714) 60 CYCLE	211004			
5	PULLEY (MOTOR)(BP-320 & BP-520) 60 CYCLE	76131 210590			
	PULLEY (MOTOR)(BP-320 & BP-520) 50 CYCLE	76130 210658			
	PULLEY (MOTOR)(BP-720) 60 CYCLE	210926			
	MOTOR (3 HP 115/230/60/1)(BP-314, BP-320)	OBS 211027			
	MOTOR (3 HP 220/440/60/3)(BP-314, BP-320)	211059			
6	MOTOR (5 HP 230/60/1)(BP-514, BP-520)	211028			
	MOTOR (5HP 220/440/60/3)(BP-514, BP-520)	211061			
	MOTOR (7-1/2 HP 220/440/60/3)(BP-714, BP-720)	212232			
	THE FOLLOWING MOTOR KITS INCLUDE MOTOR, PULLEY, WATER PUMP PIGTAIL, SWITCH & WIRING.				
	MOTOR KIT (3 HP 115/230/60/1)(BP-314)	212201			
	MOTOR KIT (5 HP 230/60/1) (BP-514)	212202			
6	MOTOR KIT (3 HP 115/230/60/1)(BP-320)	212203			
	MOTOR KIT (5 HP 230/60/1) (BP-520)	212204			



RIGHT SIDE



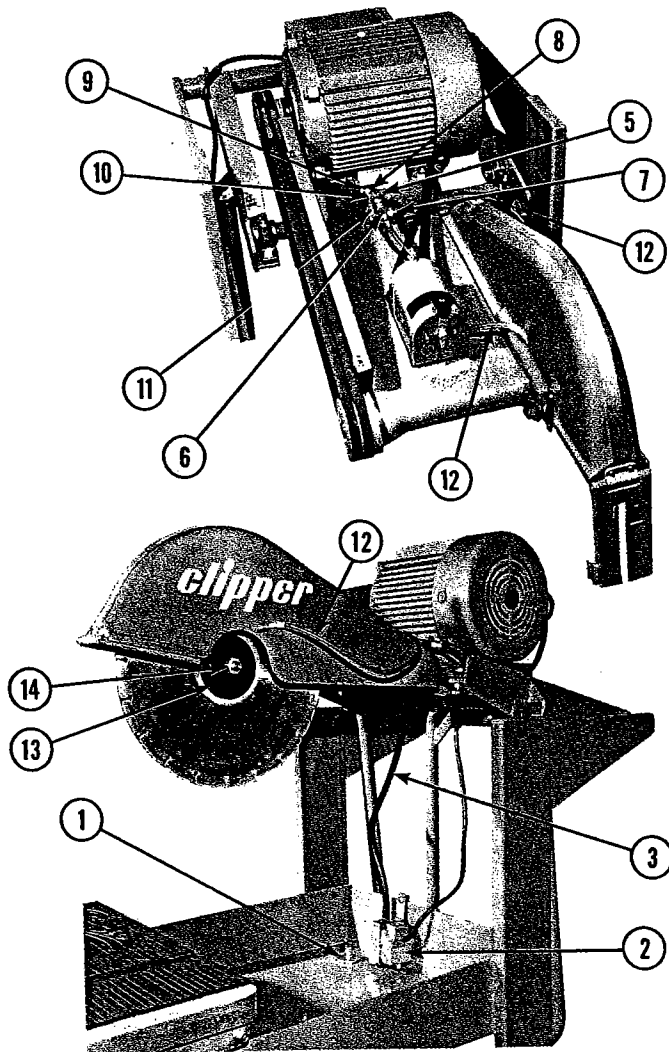
REAR VIEW

ITEM NO.	DESCRIPTION	QTY.	PART NO.
1	TENSION SPRING ASSEMBLY	OBS 1	212256
2	HORIZONTAL LINK	2	212145
3	SHOULDER BOLT	2	212161
	LOCKNUT (3/8-16 NC HEX.)	2	8160005
4	VERTICAL LINK	OBS 2	212144
5	DIAGONAL LINK	2	212145
6	TILTING LINK WELDMENT (LONG)	1	212146
7	TILTING LINK (SHORT)	2	212149
8	PIVOT PIN	2	850080
	COTTER PIN (1/8 DIA. X 3/4" LG.)	OBS 2	9107070
9	*CLAMP (DRAIN HOSE)	1	121123
10	*DRAIN HOSE	OBS 1	216139
11	GUIDE-A-CUT ASSEMBLY (INCLUDES REPLACEMENT PARTS LISTED BELOW)	83892 1	216120
	THUMB SCREW	1	210660
	NUT (5/16-18 SQUARE)	1	8141002
12	BLADE SHAFT WRENCH	OBS 1	212105
13	CONVEYOR CART ASSEMBLY (INCLUDES REPLACEMENT PARTS LISTED BELOW)	213311 1	210620
	SHEAVE ASSEMBLY	4	200062
	BACKSTOP ASSEMBLY (INCL. RULE & DRIVE SCREW)	1	210625
	RULE	1	200072A
	DRIVE SCREW (#2 X 1/4" LG.)	6	8128013
	WOOD STRIP	213613 1	210632
14	*WATER CURTAIN ASSEMBLY	219038 1	216008

REAR VIEW

ITEM NO.	DESCRIPTION	QTY.	PART NO.
1	YOKE WELDMENT	OBS 1	212159
2	CAPSCREW	1	210129
	LOCKNUT (1/2-13 NC HEX.)	1	8160005
3	PIVOT PIN	2	210006
	COTTER PIN (3/32 DIA. X 3/4" LG.)	2	9107016
4	TILT BAR WELDMENT	1	212167
	PIVOT PIN (LOWER)	1	850090
	COTTER PIN (LOWER) 3/32 DIA. X 3/4" LG.)	1	9107016
5	TILT LUG WELDMENT	1	212118
	MACHINE SCREW (3/8-16 NC X 1" LG. FLAT HD.)	2	8060222
	LOCKNUT (3/8-16 NC HEX.)	2	8160003
	SHOULDER BOLT	OBS 1	212227
	LOCKNUT (5/16-18 N.C. HEX.)	1	8160002
6	SWING ARM WELDMENT	OBS 1	212151
	BRONZE BUSHING	2	210149
	SHAFT (SWING ARM)	1	216100
	ROLL PIN (1/4" DIA. X 1-1/2" LG.)	2	8195008
7	WATER PUMP PIGTAIL	1	212160

NortonPart.com
888-634-
An iBuy S Company



WATER SYSTEM

ITEM NO.	DESCRIPTION	QTY.	PART NO.
1	*DRAIN PLUG ASSEMBLY	1	200298A
2	WATER PUMP ASSEMBLY (INCLUDES REPLACEMENT PARTS LISTED BELOW)	1	214169
	PUMP CLAMP	1	212188
	CARRIAGE BOLT (1/4-20 N.C. X 1-1/2" LG. BRASS)	1	9025022
	WING NUT (1/4-20 N.C. BRASS)	1	9168007
	INLET SCOOP	1	211139
	IMPELLER HOUSING	1	211137
	IMPELLER	1	211138
	HOSE ADAPTOR	1	210438
3	*HOSE (PUMP TO HEAD)	1	210643
4	*WATER DISTRIBUTION ASSEMBLY (INCLUDES ITEMS 5, 6, 7, 8, 9, 10 & 11)	1	210641
5	*VALVE (SHUT OFF)	1	200269
6	*TEE (BRASS)	1	200332
7	*HOSE INSERT	2	9600002
8	*ELBOW	1	210642
9	*HOSE COUPLING	1	9600009
10	*CONE WASHER	1	210639
11	*MOUNTING PLATE	1	210644
12	*JETS AND TUBING ASSEMBLY	1	210645
13	LOOSE COLLAR (INCLUDED WITH ITEM 1 FIG. 5)	1	200132
14	NUT (INCLUDED WITH ITEM 1 FIG. 5)	1	8146005

* USED ON WET CUTTING MODELS ONLY