

PARTS MANUAL



***WHITEMAN* SERIES** **STX RIDE-ON POWER TROWEL** **MODEL STX55J6** **MODEL STX55Y6**

Revision #10 (09/05/19)

To find the latest revision of this publication or associated operation manual, visit our website at:

www.multiquip.com

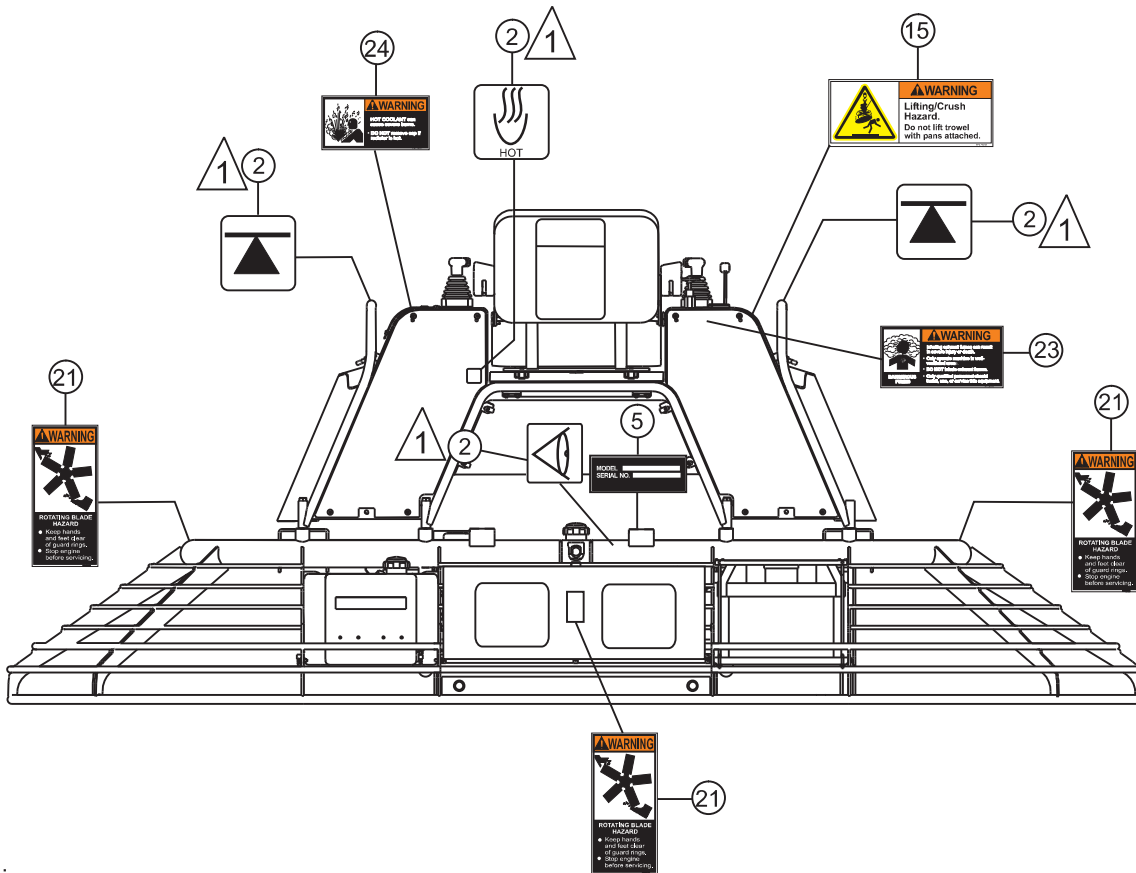
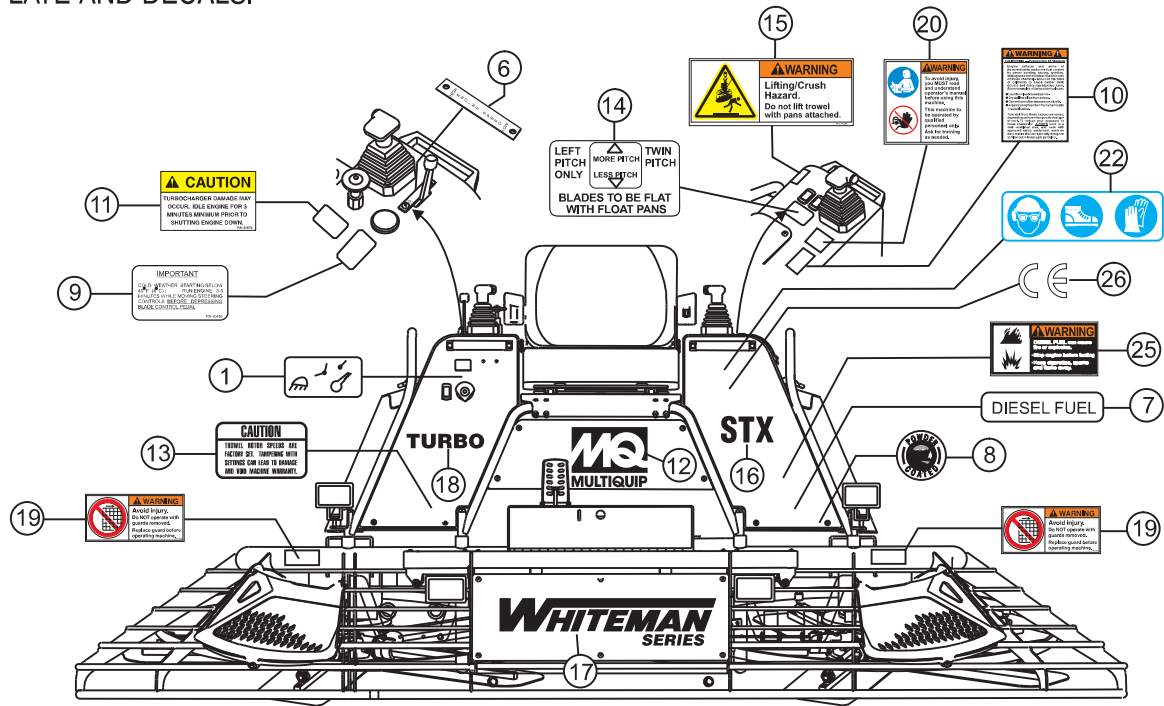


THIS MANUAL MUST ACCOMPANY THE EQUIPMENT AT ALL TIMES.

P/N 21659

STX-SERIES RIDE-ON TROWEL — NAMEPLATE AND DECALS.

NAMEPLATE AND DECALS.



NOTES:

1 DECALS CANNOT BE PURCHASED SEPARATELY.

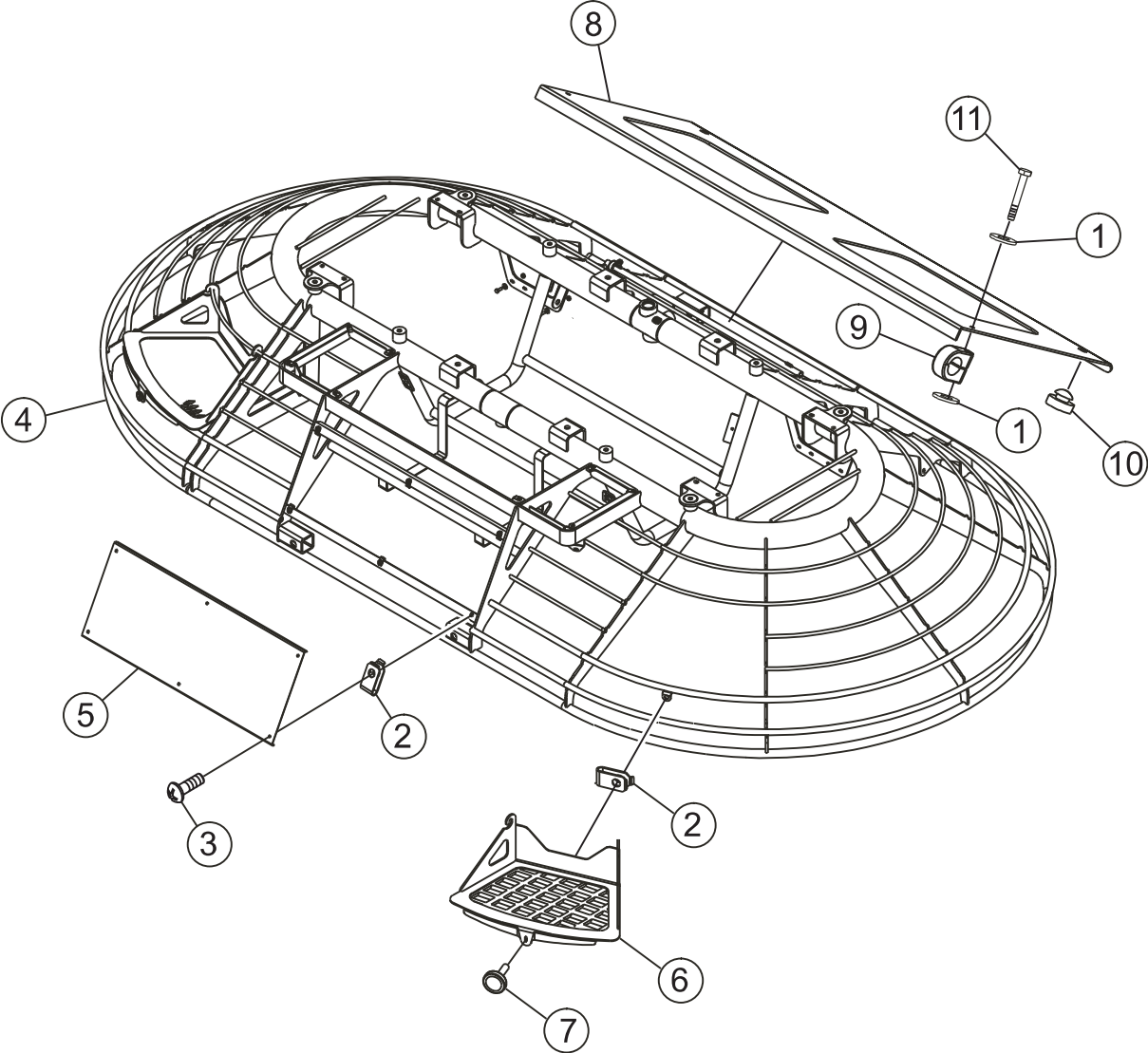
STX-SERIES RIDE-ON TROWEL — NAMEPLATE AND DECALS.

NAMEPLATE AND DECALS.

<u>NO.</u>	<u>PART NO.</u>	<u>PART NAME</u>	<u>QTY.</u>	<u>REMARKS</u>
1*	2814	DECAL, LIGHT, IGNITION SWITCH	1	
2*	11246	DECAL, SET INTERNATIONAL STANDARDS	1	SAFETY ITEM
		LIFT POINT, HOT SURFACE, HYD. OIL CHECK		
5		NAMEPLATE	1	CONTACT MQ PARTS DEPT.
6	11712	DECAL, ENGINE SPEED PLATE	1	
7*	11811	DECAL, DIESEL FUEL	1	
8*	13118	DECAL, POWDER COATED	1	
9*	20486	DECAL, HYDRAULIC RIDER COLD START	1	
10*	20525	DECAL, WARNING, PROPOSITION 65	1	SAFETY ITEM
11*	20872	DECAL, CAUTION TURBOCHARGER	1	SAFETY ITEM
12*	20936	DECAL, MQ LOGO	1	
13*	20953	DECAL, CAUTION ROTOR SPEED SETTING	1	SAFETY ITEM
14*	21169	DECAL, BLADE PITCH	1	
15*	21455	DECAL, WARNING, LIFT CRUSH HAZARD	1	SAFETY ITEM
16*	21579	DECAL, STX LOGO	1	
17*	21589	DECAL, WHITEMAN LOGO	1	
18*	21590	DECAL, TURBO LOGO	1	
19*	21665	DECAL, WARNING, REPLACE GUARDS	2	SAFETY ITEM
20*	35137	DECAL, WARNING, READ MANUAL	1	SAFETY ITEM
21*	35168	DECAL, WARNING, ROTATING BLADE HAZARD	3	SAFETY ITEM
22*	36099	DECAL, HELMET, BOOT, GLOVES (ISO BLUE)	1	SAFETY ITEM
23	36090	DECAL, WARNING VENTILATION	1	SAFETY ITEM
24	36091	DECAL, WARNINGHOT COOLANT	1	SAFETY ITEM
25	36092	DECAL, WARNING DIESEL FUEL	1	SAFETY ITEM
26	11092	DECAL, CE	1	
27	20707	KIT, DECAL	1	INCLUDES ITEMS W/*

STX-SERIES RIDE-ON TROWEL — FRAME ASSY.

FRAME ASSY.



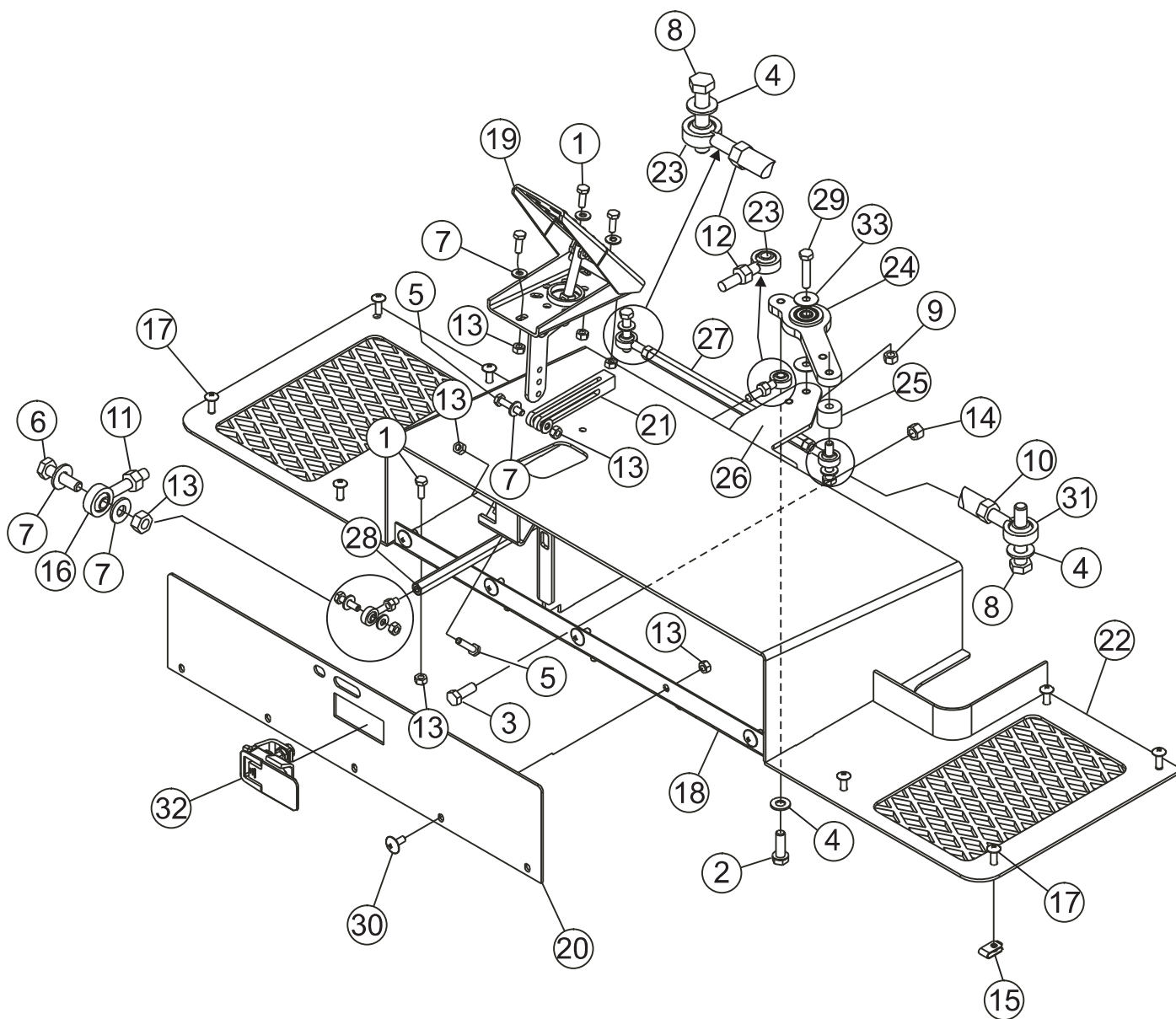
STX-SERIES RIDE-ON TROWEL — FRAME ASSY.

FRAME ASSY.

<u>NO.</u>	<u>PART NO.</u>	<u>PART NAME</u>	<u>QTY.</u>	<u>REMARKS</u>
1	0948	WASHER, FLAT, 1/4 SAE	4	
2	11534	NUT U TYPE 1/4-20	8	
3	12287	SCREW, THP 1/4-20 X 3/4 SS	6	
4	20628	FRAME W/A	1	
5	20697	PANEL, FRONT	1	SAFETY ITEM
6	21428	STEP, W/A	2	SAFETY ITEM
7	21468	KNOB, PLASTIC 1/4-20 X 1 STUD	2	
8	21547	PANEL, REAR	1	SAFETY ITEM
9	21490	CLAMP, TUBE 18MM STAUFF LN4180PP	2	
10	21597	BUMPER, STEM 1" DIA X .5" STEMx.31TK	2	
11	26250	SCREW, HHC 1/4-20 x 1-3/4	2	

STX-SERIES RIDE-ONTROWEL — PLATFORM ASSY.

PLATFORM ASSY.



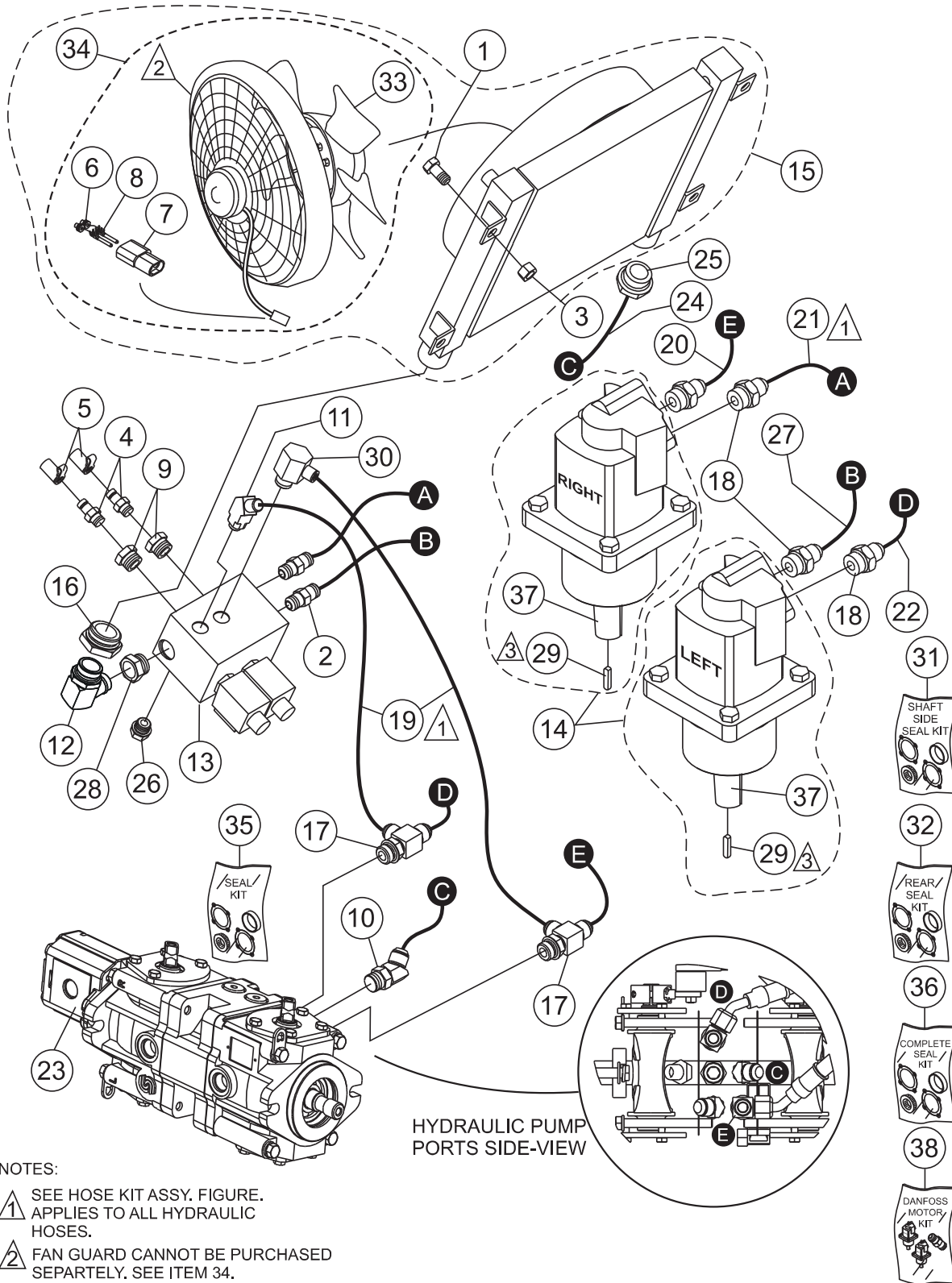
STX-SERIES RIDE-ONTROWEL — PLATFORM ASSY.

PLATFORM ASSY.

<u>NO.</u>	<u>PART NO.</u>	<u>PART NAME</u>	<u>QTY.</u>	<u>REMARKS</u>
1	0131 A	SCREW, HHC 1/4-20 x 3/4	8	
2	0202	SCREW, HHC 5/16-18 X 1	1	
3	0205	SCREW, HHC 3/8-16 x 1	1	
4	0300 B	WASHER, FLAT 5/16 SAE	3	
5	0424	SCREW, HHC 1/4-20 x 1-1/4	2	
6	0730	SCREW, HHC 1/4-20 x 1	1	
7	0948	WASHER, FLAT 1/4	7	
8	1207	SCREW, HHC 5/16-18 X 1-3/4	2	
9	2656	NUT, NYLOC 5/16-24	1	
10	6014 C	NUT, HEX FINISH 5/16-24	1	
11	6904	NUT, HEX FINISH 1/4-28	1	
12	8131	NUT, HEX FINISH L. H. 5/16-24	2	
13	10024	NUT, NYLOC 1/4-20	11	
14	10133	NUT, NYLOC 3/8-16	1	
15	11534	NUT U-TYPE 1/4-20	8	
16	11643	ROD END, 1/4-28 MALE RH	1	
17	12287	SCREW, THP 1/4-20 X 3/4 SS	8	
18	20692	HINGE, TOOLBOX ACCESS PANEL	1	
19	20694	PEDAL, HYDRAULIC PUMP	1	
20	20698	DOOR PLATE	1	
21	20699	CLEVIS, PUMP SPEED CONTROL	1	
22	20720	PLATFORM, OPERATOR W/A	1	
23	21262	ROD END, 5/16-24 MALE LH	2	
24	21389	LEVER W/A, PUMP CTRL LINKAGE	1	
25	21391	SPACER, 1.0 OD X .318 ID X .75L	1	
26	21392	MOUNT, PUMP CTRL LEVER PIVOT	1	
27	21394	ROD, PUMP CTRL HEX 8.0L	1	
28	21395	ROD, PUMP CTRL HEX 12.38L	1	
29	21583	SCREW, HHC 5/16-24 X 1-1/2 GRD 8	1	
30	21611	SCREW, THP 1/4-20 X 5/8 SS	5	
31	21614	ROD END, 5/16-24 MALE RH HD	1	
32	560020	LATCH, LIFT AND TURN	1	
33	933213	WASHER, FWSH 1 OD X 5/16	2	

STX-SERIES RIDE-ONTROWEL — COOLER/VALVE BYPASS ASSY.

COOLER/VALVE BYPASS ASSY.



NOTES:

- ⚠️ SEE HOSE KIT ASSY. FIGURE. APPLIES TO ALL HYDRAULIC HOSES.
- ⚠️ FAN GUARD CANNOT BE PURCHASED SEPARATELY. SEE ITEM 34.
- ⚠️ KEY NO LONGER USED IN ASSEMBLY. REFER TO INSTRUCTIONS P/N 23342/23342E

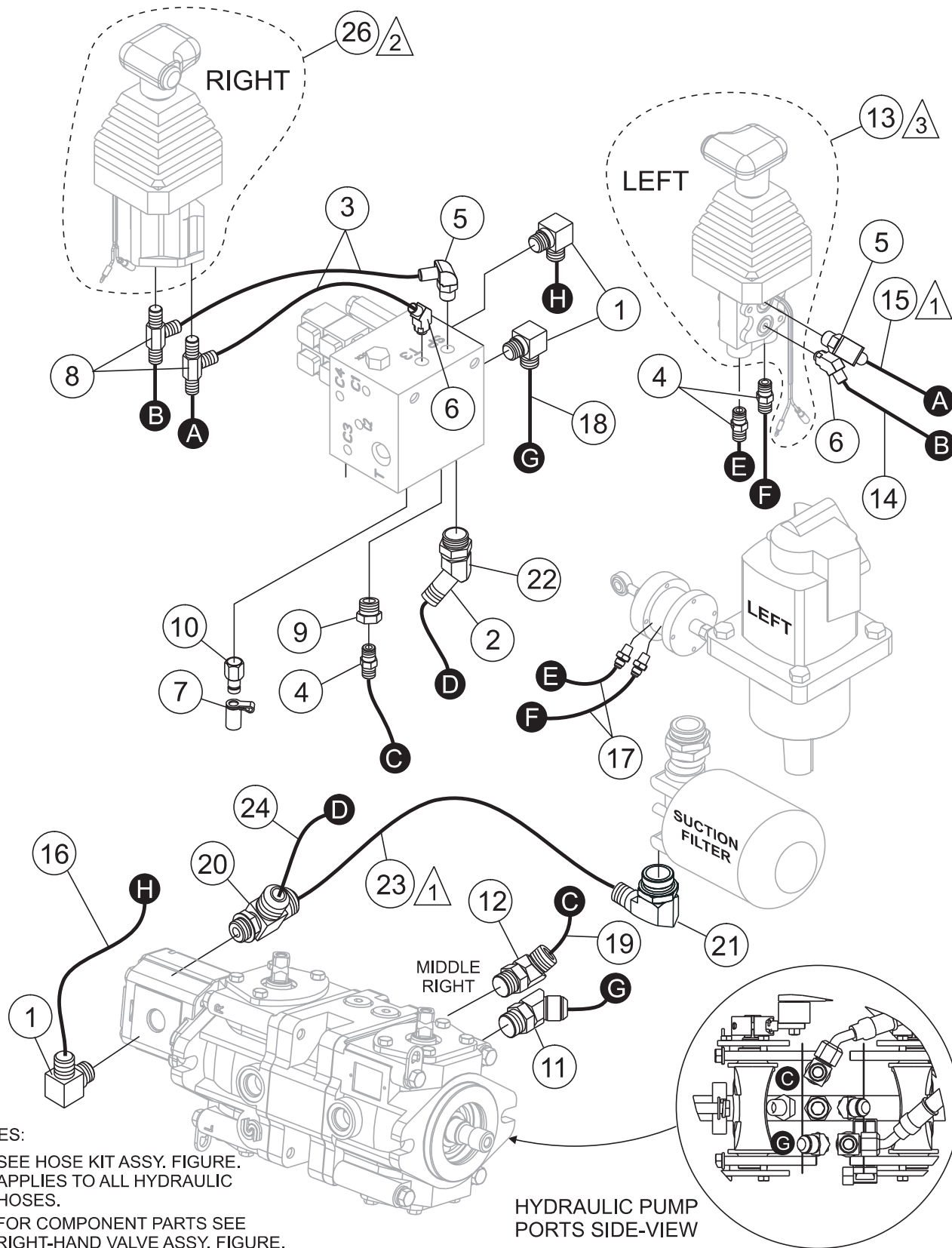
STX-SERIES RIDE-ON TROWEL — COOLER/VALVE BYPASS ASSY.

COOLER/VALVE BYPASS ASSY.

<u>NO.</u>	<u>PART NO.</u>	<u>PART NAME</u>	<u>QTY.</u>	<u>REMARKS</u>
1	2691	SCREW, HHC 1/2-13 X 1	4	
2	3365	FITTING, STR 10MJ-10MO	2	
3	10176	NUT, NYLOC 1/2-13	4	
4	12147	FITTING, QC DIAGN PARKER PD-361	2	
5	12148	CAP, DUST DIAG PARKER PD6-285	2	
6*#	12171	SEAL, WPACK 16-18	2	
7*#	12176	CONNECTOR, WPACK 2PIN SHROUD	1	
8*#	12179	TERMINAL, WPACK MALE 14-16GA	2	
9	12331	FITTING, STR 10MO-6FO	2	
10	16336	FITTING, 45 10MJ-10MO	2	
11	16580	FITTING, 45 10MO-8MJ	1	
12	21055	FITTING, 90 16MO-16MO	1	
13	21056	VALVE, HYD BYPASS SEAT SWITCH	1	
14	21057	MOTOR, HYD, EATON, 3-PORT	2	INCLUDES ITEMS W/\$ S/N BL2001337 AND BELOW
14@	21856	MOTOR, HYD, SAUER-DANFOSS, 2-PORT	2	S/N BL2001338 AND ABOVE
15	21058	COOLER, STHA OIL THTRANS MF-30-2-4A	1	INCLUDES ITEMS W/*
16	21060	FITTING, STR 16FO-24-MO	1	
17	21093	FITTING, TEE 10MJ-10MJ-10MO RUN	2	
18	21096	FITTING, STR 10MJ-12MO	4	
19	21100	HOSE ASSY., 1/2 ID X 19 45 ONE END	2	
20	21102	HOSE ASSY., 5/8 ID X 20 45 ENDS	1	
21	21103	HOSE ASSY., 5/8 ID X 15.0 90 END R17	1	
22	21104	HOSE ASSY., 5/8 ID X 54.5 45 ONE END	1	
23	21287	PUMP ASSY, TANDEM SAUER M25	1	
24	21296	HOSE ASSY., 3/4 IDX 15.25 90 END R4	1	
25	21335	FITTING, STR 12MJ-24MO	1	
26	21348	FITTING, PLUG 10MO HEX	1	
27	21356	HOSE ASSY., 5/8 ID X 74 STR ENDS	1	
28	21585	FITTING, STR 10MO-6FO	1	
29\$		KEY, STX EATON MOTOR	2	NO LONGER USED SEE NOTE ON DRAWING
30	26010	FITTING, 90 10MO-8MJ	1	
31%	61237000	SEAL KIT, SHAFTSIDE, EATON 6K	1	
32%	61238000	SEAL KIT, REAR, EATON 6K	1	
33*#	67991	FAN	1	
34*	68224	FAN AND MOTOR ASSEMBLY	1	INCLUDES ITEMS W/#
35	4510016	REPAIR/SEAL KIT, SAUER M25	1	
36	61253000	COMPLETE SEAL KIT, EATON 6K	2	INCLUDES ITEMS W/%
36	151B0113	COMPLETE SEAL KIT SAUER-DANFOSS OMT 315/400	2	
37\$	201837028	SHAFT HYDRAULIC MOTOR	2	S/N BL2001337 AND BELOW
38	21898	SAUER DANFOSS MOTOR KIT	1	INCLUDES ITEMS W/@

STX-SERIES RIDE-ON TROWEL — HYDRAULIC ASSY.

HYDRAULIC ASSY.



NOTES:

- 1 SEE HOSE KIT ASSY. FIGURE. APPLIES TO ALL HYDRAULIC HOSES.
- 2 FOR COMPONENT PARTS SEE RIGHT-HAND VALVE ASSY. FIGURE.
- 3 FOR COMPONENT PARTS SEE LEFT-HAND VALVE ASSY. FIGURE.

HYDRAULIC PUMP PORTS SIDE-VIEW

STX-SERIES RIDE-ON TROWEL — HYDRAULIC ASSY.

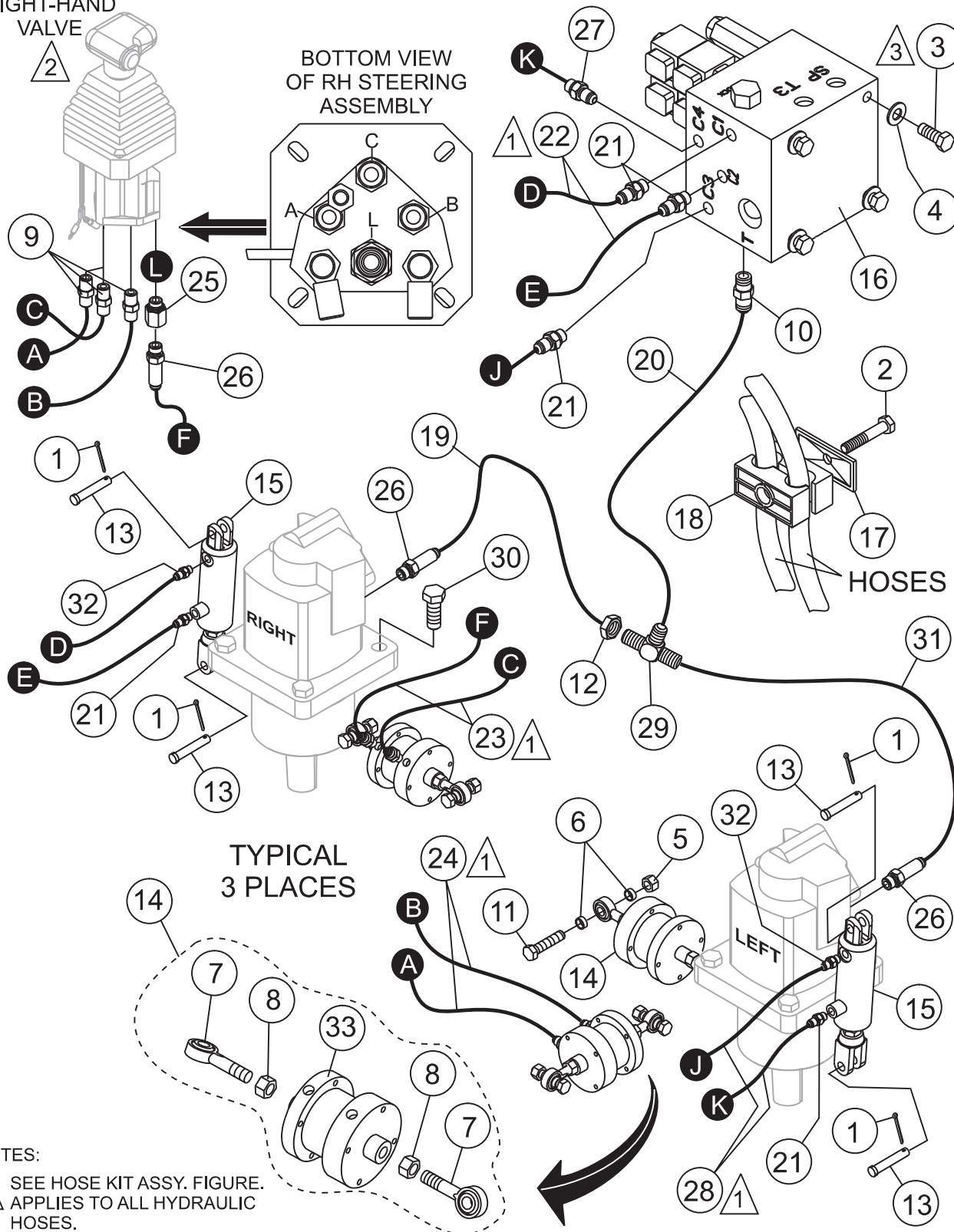
HYDRAULIC ASSY.

<u>NO.</u>	<u>PART NO.</u>	<u>PART NAME</u>	<u>QTY.</u>	<u>REMARKS</u>
1	3322	FITTING,90 10MJ-10MO	3	
3	11698	HOSE ASSY., .38 IDX 15.5 STR ENDS	2	
4	11721	FITTING, STR 6MJ-6MO	3	
5	11722	FITTING, 90 6MJ-6MO	2	
6	11780	FITTING, 45 6MJ-6MO	2	
7	12148	CAP, DUST DIAG PARKER PD6-285	1	
8	12159	FITTING,TEE 6MJ-6MO-6MJ	2	
9	12331	FITTING, STR 10MO-6FO	1	
10	12546	FITTING, QD 4MO DIAGN PARKER PD341	1	
11	16336	FITTING, 45 10MJ-10MO	1	
12	16580	FITTING, 45 10MO-8MJ	1	
13	20831	VALVE ASSY., LH STEERING W/SWITCH	1	
14	21061	TUBELINE, HYD STRG PRESSURE	1	
15	21062	TUBELINE, HYD STRG RETURN	1	
16	21076	HOSE ASSY., .5 ID X 29.5 STR ENDS	1	
17	21110	HOSE ASSY., .38 ID X 45.5 STR ENDS	2	
18	21334	HOSE ASSY., .5 ID X 26.5 STR ENDS	1	
19	21336	HOSE ASSY., .38 ID X 22 STR ENDS	1	
20	21595	FITTING, TEE 16MJ-12MO-16MJ	1	
21	21814	FITTING, 90 16MJ-20MO	1	
22	21815	FITTING, 12MJ-12MO	1	
23	21816	HOSE ASSY., 1.0 ID X 29L 45 ONE END	1	
24	21817	HOSE ASSY., .75 ID X 22.0 STR ENDS	1	
26	20830	VALVE ASSY. RH STEERING W/O SWITCH	1	

STX-SERIES RIDE-ON TROWEL — HYDRAULIC ASSY. (CONT.)

HYDRAULIC ASSY.

RIGHT-HAND
VALVE



NOTES:

- ① SEE HOSE KIT ASSY. FIGURE. APPLIES TO ALL HYDRAULIC HOSES.
- ② FOR COMPONENT PARTS SEE RIGHT-HAND VALVE ASSY. FIGURE.
- ③ APPLY LOCTITE P/N 60091 4 PLACES.

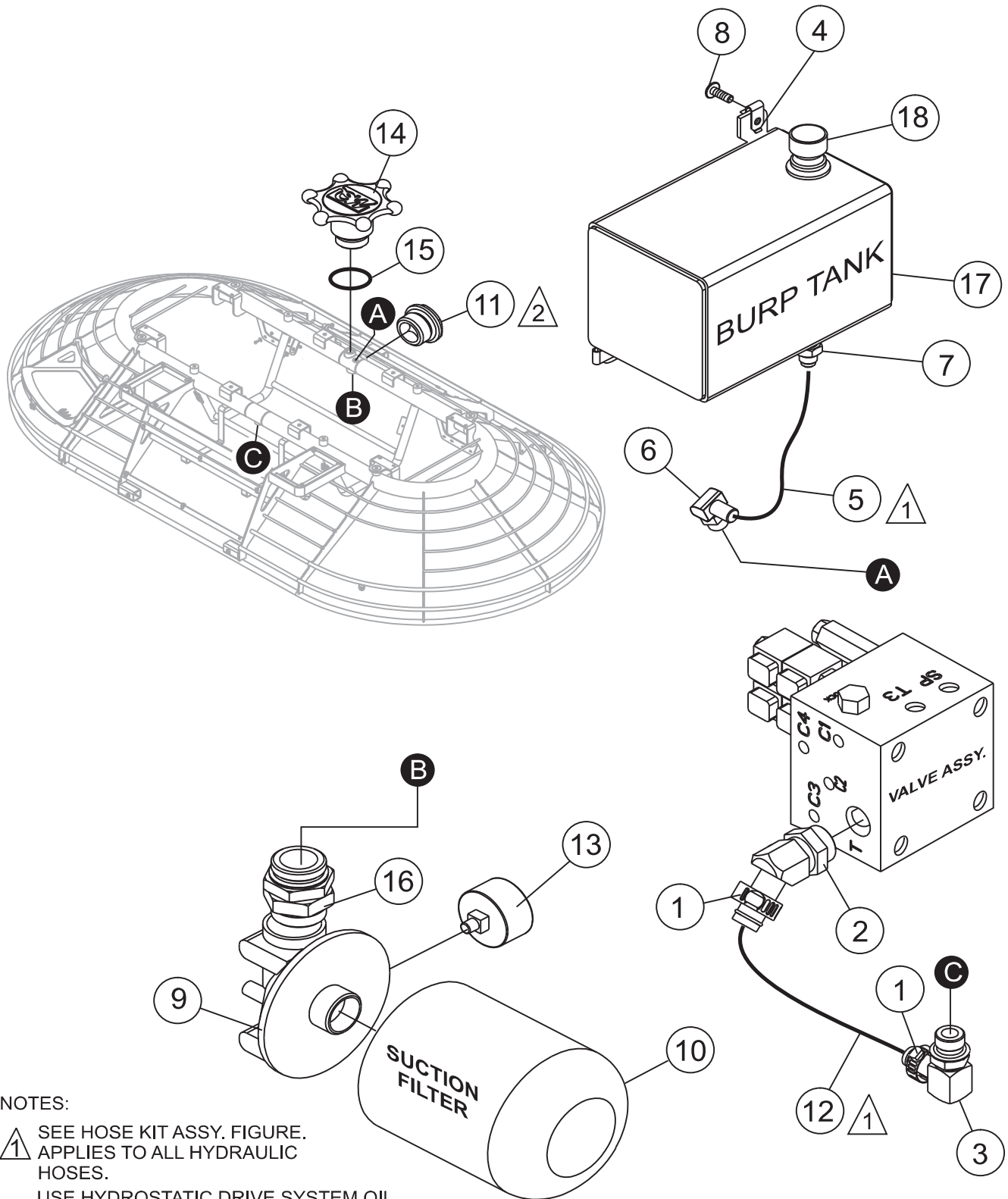
STX-SERIES RIDE-ON TROWEL — HYDRAULIC ASSY. (CONT.)

HYDRAULIC ASSY.

<u>NO.</u>	<u>PART NO.</u>	<u>PART NAME</u>	<u>QTY.</u>	<u>REMARKS</u>
1	0183	PIN, COTTER	4	
2	1207	SCREW, HHC 5/16-18 X 1-3/4	5	
3	4196	SCREW, HHC 3/8-16 X 3/4	4	
4	10136	WASHER, FLAT 3/8 SAE	4	
5	10176	NUT, NYLOC 1/2-13	6	
6	11141	SPACER, ROD END	12	
7*	11142	ROD END, 1/2-20 MALE RH	6	
8*	11146	NUT, HEX JAM 1/2-20	6	
9	11721	FITTING, STR 6MJ-6MO	3	
10	11749	FITTING, STR 8MJ-8MO	1	
11	13178	SCREW, HHC 1/2-13 X 2-1/4	6	
12	16334	NUT, HEX 9/16-18	1	
13	19974	PIN, CLEVIS 1/2 X 1.25 EFFECT	4	
14	20140	CYLINDER, STEERING W/ ROD END	3	INCLUDES ITEMS W/*
15	20652	CYLINDER, HYD PITCH 1.5 BORE	2	
16	20780	VALVE ASSY., HYD PITCH	1	
17	20912	COVER, 0.75 CLAMP STAUFF GD-3D	5	
18	20913	CLAMP, 0.75 OD TUBE STAUFF 3190/190 DPP	5	
19	21082	HOSE ASSY., .38 ID X 18 STR ENDS	1	
20	21094	HOSE ASSY., 1/2 ID X 22 STR ENDS	1	
21	21095	FITTING, STR 4MJ-4MO	5	
22	21097	HOSE ASSY., 1/4 ID X 50 STR ENDS	2	
23	21110	HOSE ASSY., .38 ID X 45.5 STR ENDS	2	
24	21111	HOSE ASSY., .38 ID X 38 STR ENDS	2	
25	21114	FITTING, STR 6FO-6MO	1	
26	21115	FITTING, STR 6MJ-6MO LONG	1	
27	21159	FITTING, 45 4MJ-4MO	1	
28	21343	HOSE ASSY., 1/4 ID X 100 STR ENDS	2	
29	21364	FITTING, TEE 6MJ BLKHD RUN	1	
30	21376	SCREW, HHC 5/8-11 X 1.50	8	
31	21083	HOSE ASSY., .38 ID X 54.5 45 ONE END	1	
32	35149	FITTING, ORIFICE 4MJ-4MOX0.02	2	
33*	12056	CYLINDER HYDRAULIC STEERING	3	

STX-SERIES RIDE-ONTROWEL — BURP TANK/SUCTION FILTER ASSY.

BURP TANK/SUCTION FILTER ASSY.



NOTES:

1 SEE HOSE KIT ASSY. FIGURE.
APPLIES TO ALL HYDRAULIC
HOSES.

2 USE HYDROSTATIC DRIVE SYSTEM OIL.
CHEVRON AW/MV ISO 68. OIL CAPACITY
IS 7.0 GALLONS (26.5 LITERS) LESS FILTER
CHANGE. WITH FILTER CHANGE CHECK
SIGHT GLASS, ADD .5 GALLONS (1.89 LITERS).
PURCHASE LOCALLY.

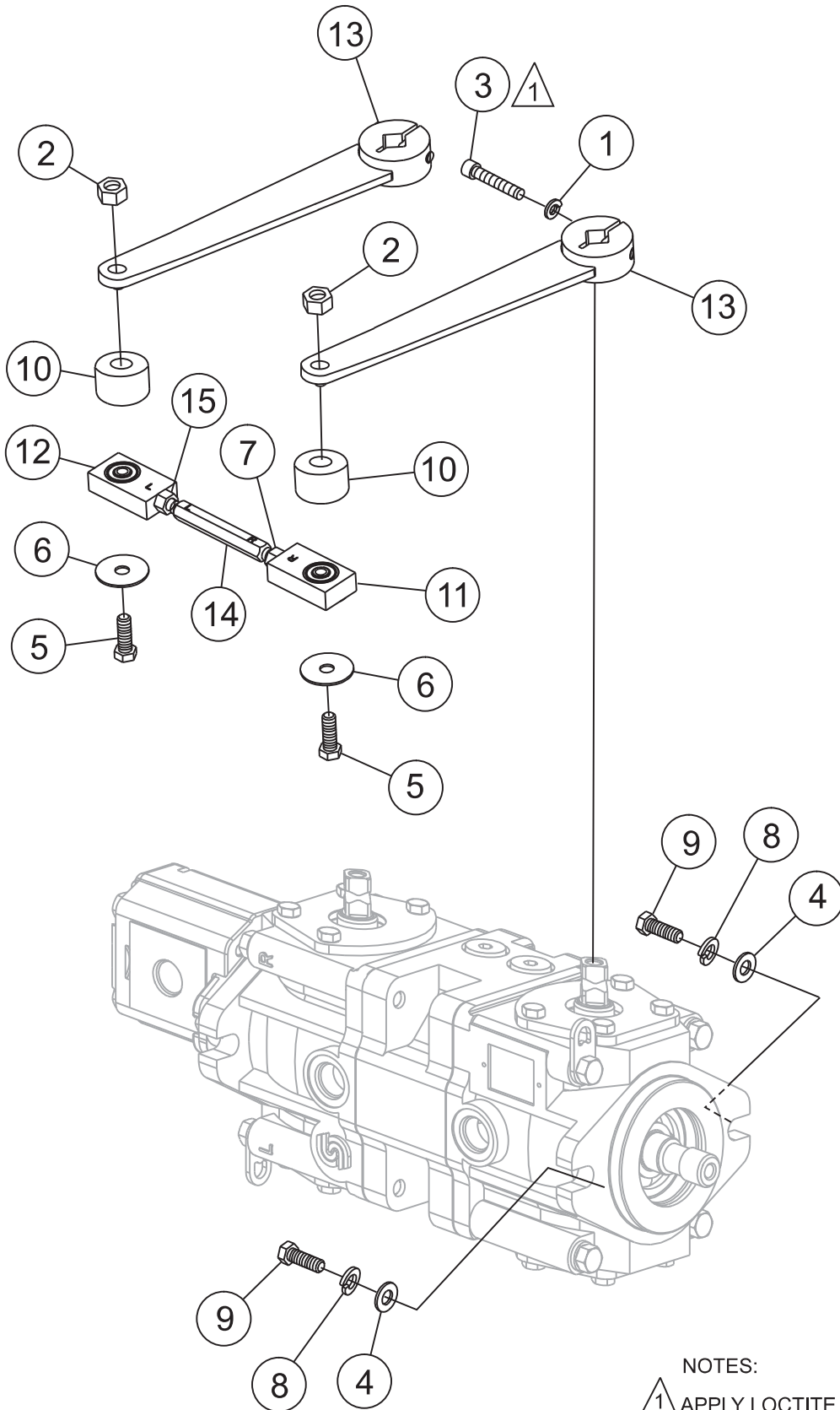
STX-SERIES RIDE-ONTROWEL — BURP TANK/SUCTION FILTER.

BURP TANK SUCTION FILTER ASSY.

<u>NO.</u>	<u>PART NO.</u>	<u>PART NAME</u>	<u>QTY.</u>	<u>REMARKS</u>
1	3333	CLAMP, 1-1/4 HOSE	2	
2	3366	FITTING, 45 12BARB-12MO	1	
3	3461	FITTING, 90 12BARB-12MO	1	
4	11534	NUT U TYPE 1/4-20	2	
5	11696	HOSE ASSY., .38 ID X35.5 STR ENDS	1	
6	11722	FITTING, 90 6MJ-6MO	1	
7	11725	FITTING, STR 6MJ-1/4MP	1	
8	12287	SCREW, THP 1/4-20 X 3/4 SS	2	
9	21106	HOUSING, FLTR SUC ZINGA SF-100	1	
10	21107	FILTER, SUCTION 5" 10 MICRON SYNTH LHA	1	
11	21109	SIGHT GLASS, DASH 12 ORB PLASTIC	1	
12	21081	HOSE, 3/4 ID X 54.4 MEGAVAC	1	
13	21193	GUAGE, FILTER COND ZINGA GV-10	1	
14	21400	PLUG, HYD TANK HAND WHEEL	1	
15	21406	O-RING, HYD DASH16 BUNA90	1	
16	21407	FITTING, STR 20MO-20MO ADJ	1	
17	21510	TANK W/A, HYD BURP	1	
18	21513	BREATHER, FILTER 10 MICRON 1/4MP PLASTIC	1	

STX-SERIES RIDE-ONTROWEL — PUMP LEVERS ASSY.

PUMP LEVERS ASSY.



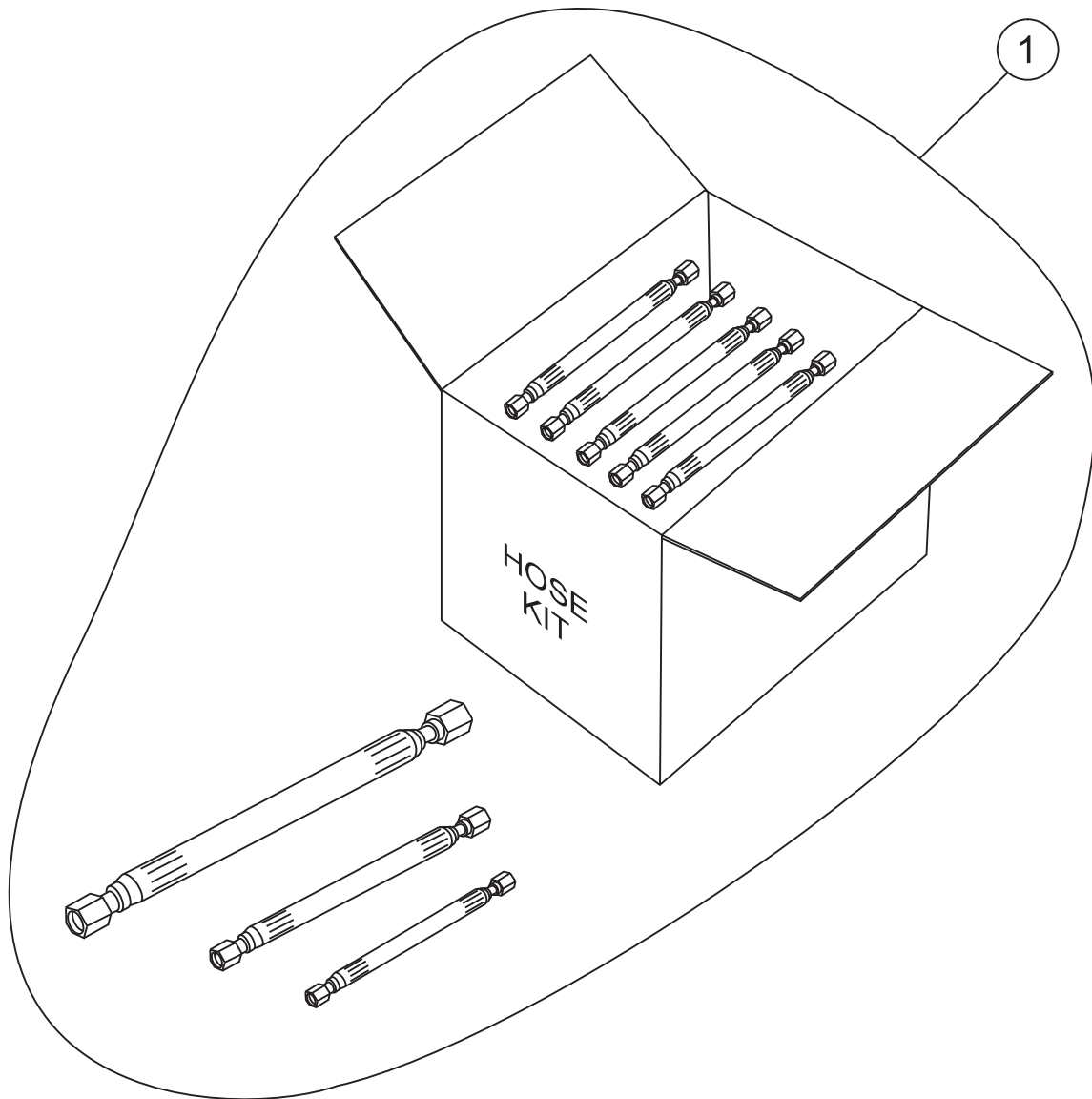
STX-SERIES RIDE-ONTROWEL — PUMP LEVERS ASSY.

PUMP LEVERS ASSY.

<u>NO.</u>	<u>PART NO.</u>	<u>PART NAME</u>	<u>QTY.</u>	<u>REMARKS</u>
1	0161 C	WASHER, LOCK, 5/16 MED	2	
2	0161 D	NUT, HEX FINISH 5/16-18	2	
3	0243	SCREW, SHC 5/16-18 X 1-3/4	2	
4	0447	WASHER, FLAT 1/2 SAE	2	
5	1207	SCREW, HHC 5/16-18 X 1-3/4	2	
6	3233	WASHER, FENDER 1.5 OD X 3/8 ID	2	
7	5023 B	NUT, HEX FINISH 3/8-24 PLAIN	1	
8	5054 A	WASHER, LOCK, 1/2 MED	2	
9	5218	SCREW, HHC 1/2-13 X 1-1/2	2	
10	21231	ISOLATOR, PLATE / STUD 5/16	2	
11	21266	BEARING BLOCK ASSY., PUMP CTRL RH	1	
12	21267	BEARING BLOCK ASSY., PUMP CTRL LH	1	
13	21290	LEVER W/A, PUMP CONTROL M25	2	
14	21301	ROD, PUMP ACTUATOR M25	1	
15	21342	NUT, HEX FINISH 3/8-24 LH	1	

STX-SERIES RIDE-ONTROWEL — HOSE KIT ASSY.

HOSE KIT ASSY.



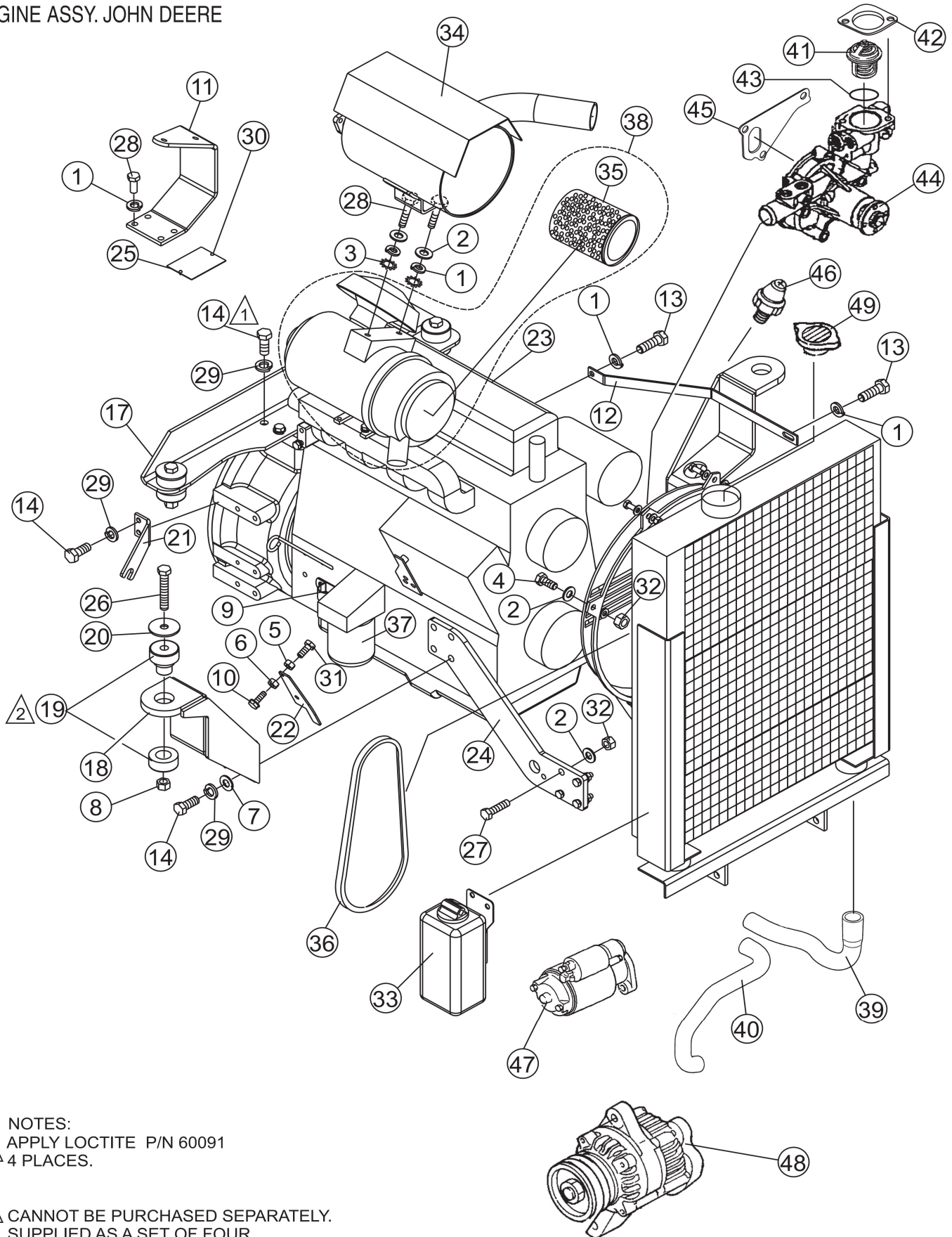
STX-SERIES RIDE-ONTROWEL — HOSE KIT ASSY.

HOSE KIT ASSY.

<u>NO.</u>	<u>PART NO.</u>	<u>PART NAME</u>	<u>QTY.</u>	<u>REMARKS</u>
1	21216	KIT, HOSE STX	1	INCLUDES ITEMS BELOW
	11696	HOSE ASSY., .38 ID X 35.5 STR ENDS	1	
	21076	HOSE ASSY., 1/2 ID X 29.5 STR ENDS	1	
	21081	HOSE ASSY., 3/4 ID X 54.5 MEGAVAC	1	
	21082	HOSE ASSY., .38 ID X18 STR ENDS	1	
	21083	HOSE ASSY., .38 ID X 54.5 45° ONE END	1	
	21094	HOSE ASSY., 1/2 ID X 22 STR ENDS	1	
	21097	HOSE ASSY., 1/4 ID X 50 STR ENDS	2	
	21100	HOSE ASSY., 1/2 ID X 19 45 ONE END	2	
	21102	HOSE ASSY., 5/8 ID X 20 45 ENDS	1	
	21103	HOSE ASSY., 5/8 ID X 15.0 90 END R17	1	
	21104	HOSE ASSY., 5/8 ID X 54.5 45 ONE END	1	
	21110	HOSE ASSY., .38 ID X 45.5 STR ENDS	4	
	21111	HOSE ASSY., .38 ID X 38 STR ENDS	2	
	21296	HOSE ASSY., 3/4 IDX 15.25 90 END R4	1	
	21334	HOSE ASSY., 1/2 ID X 26.5 STR ENDS	1	
	21336	HOSE ASSY., 3/8 ID X 22 STR ENDS	1	
	21343	HOSE ASSY., 1/4 ID X 100 STR ENDS	2	
	21356	HOSE ASSY., 5/8 ID X 74 STR ENDS	1	
	21771	HOSE ASSY., .38 ID X 11.50 STR ENDS	1	
	21772	HOSE ASSY., .38 ID X 17.0 STR ENDS	1	
	21816	HOSE ASSY., 1.00 ID X 29 45 ONE END	1	
	21817	HOSE ASSY., .75 ID X 22.0 STR ENDS	1	

STX-SERIES RIDE ON TROWEL — ENGINE ASSY. JOHN DEERE

ENGINE ASSY. JOHN DEERE



NOTES:

1 APPLY LOCTITE P/N 60091
4 PLACES.

2 CANNOT BE PURCHASED SEPARATELY.
SUPPLIED AS A SET OF FOUR

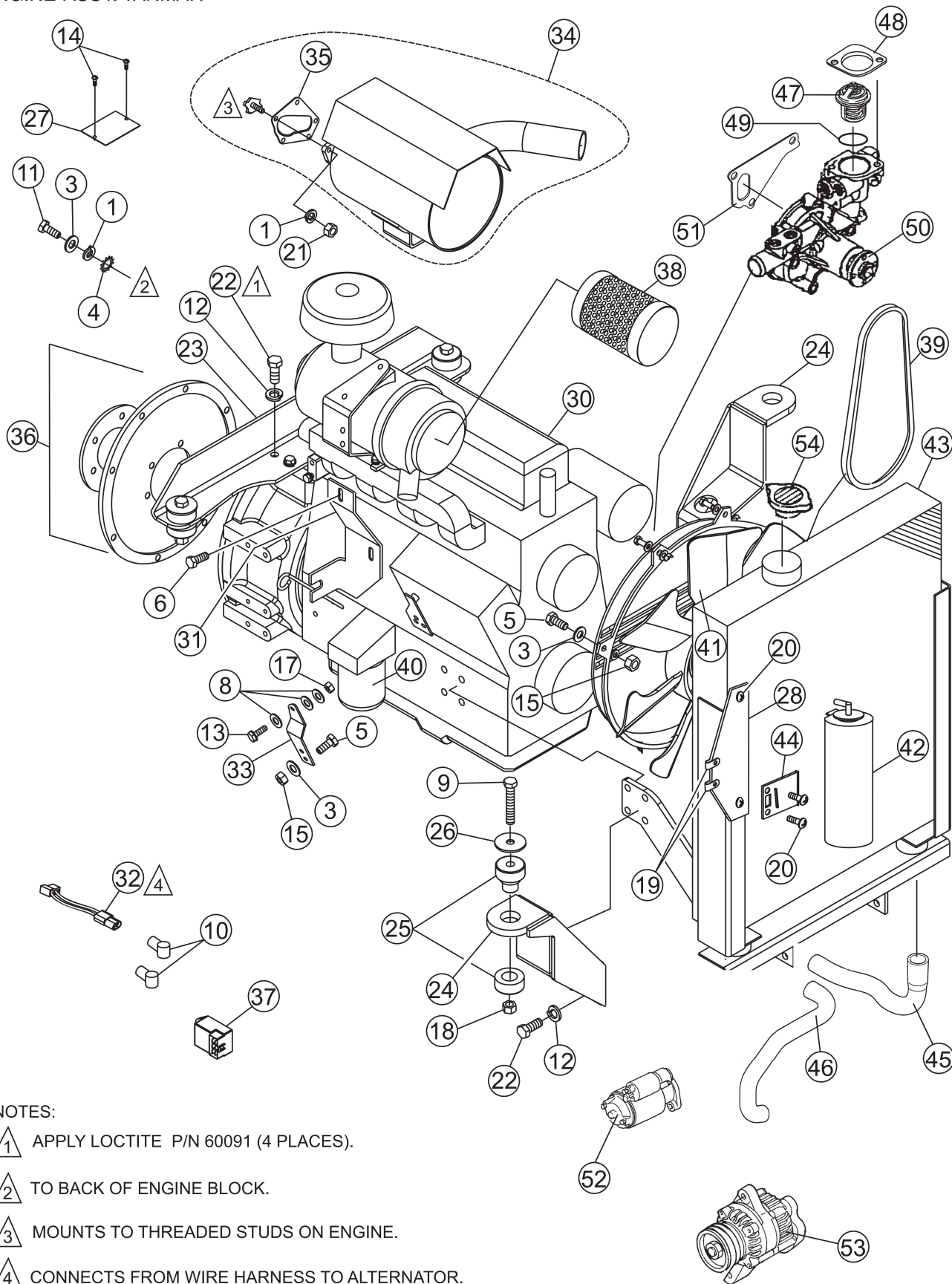
STX-SERIES RIDE ON TROWEL — ENGINE ASSY. JOHN DEERE

ENGINE ASSY. JOHN DEERE

<u>NO.</u>	<u>PART NO.</u>	<u>PART NAME</u>	<u>QTY.</u>	<u>REMARKS</u>
1	0161 C	WASHER, LOCK, 5/16 MED	9	
2	0300 B	WASHER, FLAT 5/16 SAE	21	
3	0479	WASHER, EXT SHKP 3/8 PLTD	1	
4	0655	SCREW, HHC 5/16-18 X 3/4	6	
5	10019	NUT, NYLOC 10-32	1	
6	10024	NUT, NYLOC 1/4-20	1	
7	10136	WASHER, FLAT 3/8 SAE	8	
8	10176	NUT, NYLOC 1/2-13	4	
9	11505	CLAMP, HOSE SUPPORT 1/2 INCH LG	1	
10	11644	SCREW, HHC, WASHER 10-32 X 5/8	1	
11	12041	BRACKET, AIR CLEANER	1	
12	12071	BRACKET, RADIATOR LARGE	1	
13	1605	SCREW, HHC M8-1.25 X 25MM	2	
14	16056	SCREW, HHC M10-1.5 X 25MM	12	
17	20724	MOUNT/W, RH STH ENGINE	1	
18	20726	MOUNT, ENGINE W/A LH JD ENG	2	
19	20742	ISOLATOR, RB2 RING & BUSHING	4	SOLD AS A SET (4)
20	20743	WASHER, ISOLATOR SNUBBING	4	
21	21048	BRACKET THROTTLE CABLE	1	
22	21363	LEVER, ENGINE SPEED	1	
23	21508	ENGINE ASSY., JD4020TF-005 55HP	1	
24	21559	ARM, RADIATOR EXT.	2	
25		PLATE, SERIAL RIDERS	1	CONTACT MQ PARTS DEPT.
26	2549	SCREW, HHC 1/2-13 X 3	4	
27	2623	SCREW, HHC 5/16-18 X 1-1/4	8	
28	2866	SCREW, HHC M8-1.25 X 20MM	7	
29	2955	WASHER, LOCK, 7/16 MED	12	
30	4014	SCREW, #2-3/16 U-DRIVE	2	
31	4514	SCREW, HHC 1/4-20 X 5/8	1	
32	5283	NUT, NYLOC 5/16-18	14	
33	12125244510	RESERVOIR BOTTLE	1	
34	12617	MUFFLER AND GASKET	1	
35	JDRG60690	ELEMENT, AIR FILTER	1	
36	M801821	V-BELT, ENGINE	1	
37	JDM806419	FILTER, OIL	1	
38	RG60688	AIR CLEANER ASSY.	1	
39	RG60701	HOSE UPPER, RADIATOR	1	
40	RG60348	HOSE LOWER, RADIATOR	1	
41	M811034	THERMOSTAT	1	
42	M805834	THERMOSTAT GASKET	1	
43	M805835	THERMOSTAT GASKET	1	
44	AMN880536	WATER PUMP	1	
45	M801265	WATER PUMP GASKET	1	
46	M809526	OIL SWITCH	1	
47	RG60654	STARTER	1	
48	AM878581	ALTERNATOR	1	
49	T110797	RADIATOR CAP	1	

STX-SERIES RIDE ON TROWEL — ENGINE ASSY. YANMAR

ENGINE ASSY. YANMAR



NOTES:

- ▲ 1 APPLY LOCTITE P/N 60091 (4 PLACES).
- ▲ 2 TO BACK OF ENGINE BLOCK.
- ▲ 3 MOUNTS TO THREADED STUDS ON ENGINE.
- ▲ 4 CONNECTS FROM WIRE HARNESS TO ALTERNATOR.

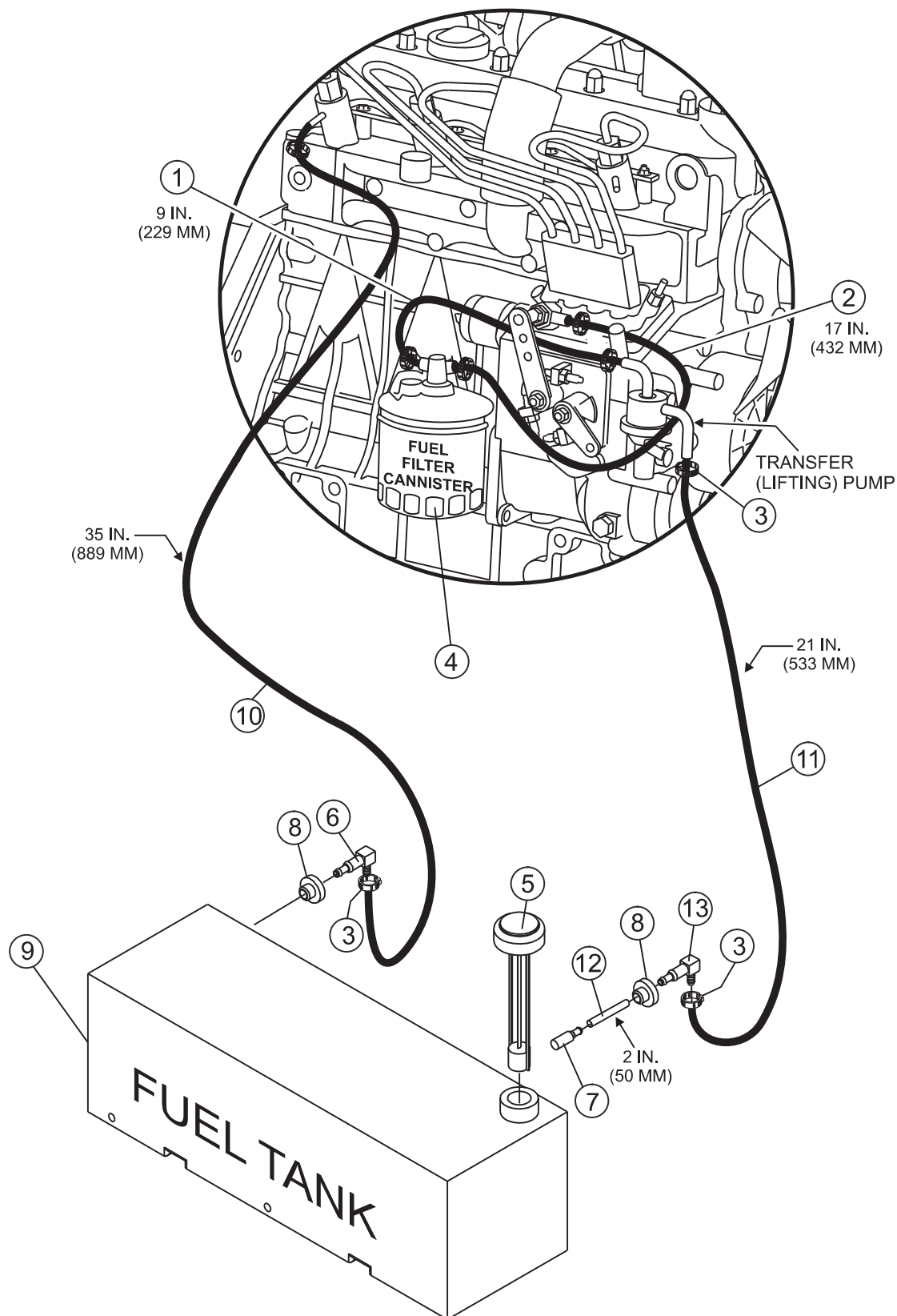
STX-SERIES RIDE ON TROWEL — ENGINE ASSY. YANMAR

ENGINE ASSY. YANMAR

<u>NO.</u>	<u>PART NO.</u>	<u>PART NAME</u>	<u>QTY.</u>	<u>REMARKS</u>
1	0161 C	WASHER, LOCK, 5/16 MED	1	
2	0202	SCREW, HHC 5/16-18 X 1	1	
3	0300 B	WASHER, FLAT 5/16 SAE	6	
4	0479	WASHER, EXT SHKP 3/8 PLTD	1	
5	0655	SCREW, HHC 5/16-18 X 3/4	2	
6	1605	SCREW, M8 - 1.25 X 25 MM	1	
7	1662	TIE, CABLE TY-RAP	51	
8	2203	WASHER, FLAT #10 SAE	3	
9	2549	SCREW, HHC 1/2-13 X 3	4	
10	2762	BOOT TERMINAL	2	
11	2866	SCREW, HHC M8-1.25 X 20MM	1	
12	2955	WASHER, LOCK, 7/16 ZINC	4	
13	3513	SCREW, HHC 10 - 32 X 1	1	
14	4014	SCREW, #2-3/16 U-DRIVE	2	
15	5283	NUT, NYLOC 5/16-18	2	
16	8128	CLAMP, HOSE SUPPORT 5/16	1	
17	10019	NUT, NYLOC 10-32	1	
18	10176	NUT, NYLOC 1/2-13	4	
19	11534	NUT, U-TYPE 1/4 - 20	2	
20	12287	SCREW, THP 1/4-20 X 3/4 SS	4	
21	16055	NUT, HEX M8 - 1.25	5	
22	16056	SCREW, HHC M10 -1.5 X 25MM	4	
23	20724	MOUNT, ENGINE BACK	1	
24	20726	MOUNT, ENGINE	2	
25	20742	ISOLATOR, RB2 RING & BUSHING	4	
26	20743	WASHER, ISOLATOR SNUBBING	4	
27		PLATE, SERIAL RIDERS	1 CONTACT MQ PARTS DEPT.
28	21736	BRACKET, RADIATOR /BOTTLE	1	
29	21638	HARNESS, ENGINE WIRE	1	
30	21639	ENGINE, YAN 55H 4TNV84T-DSA	1	
31	21744	BRACKET, THROTTLE	1	
32	21745	ADAPTOR ASSY.,	1	
33	21649	LEVER, THROTTLE	1	
34*	21754	MUFFLER ASSY.	1 INCLUDES ITEMS W/*
35*	21755	GASKET, MUFFLER	1	
36	21921	COUPLER ASSY., HAYES	1	
37	29344	TIMER, GLOW PLUG	1	
38	P822768	CARTRIDGE, AIR CLEANER DONALDSON	1	
39	11986542290	FAN BELT, V-BELT	1	
40	12915035152	FILTER, OIL	1	
41	12961244700	FAN, PUSH YANMAR	1	
42	12125244510	OVERFLOW BOTTLE	1	
43	79000448SRF	RADIATOR PACKAGE	1	
44	12125644600	BRACKET, WATER BOTTLE	1	
45	68900143SRF	HOSE UPPER, RADIATOR	1	
46	68900305SRF	HOSE LOWER, RADIATOR	1	
47	12915549601	THERMOSTAT	1	
48	12979549551	THERMOSTAT GASKET	1	
49	12915049811	THERMOSTAT GASKET	1	
50	12950842001	WATER PUMP	1	
51	12948842021	WATER PUMP GASKET	1	
52	12940077012	STARTER	1	
53	12942377200	ALTERNATOR	1	
54	TBD	RADIATOR CAP	1	

STX-SERIES RIDE ON TROWEL — FUEL SYSTEM ASSY. (JOHN DEERE)

FUEL TANK ASSY. (JOHN DEERE)



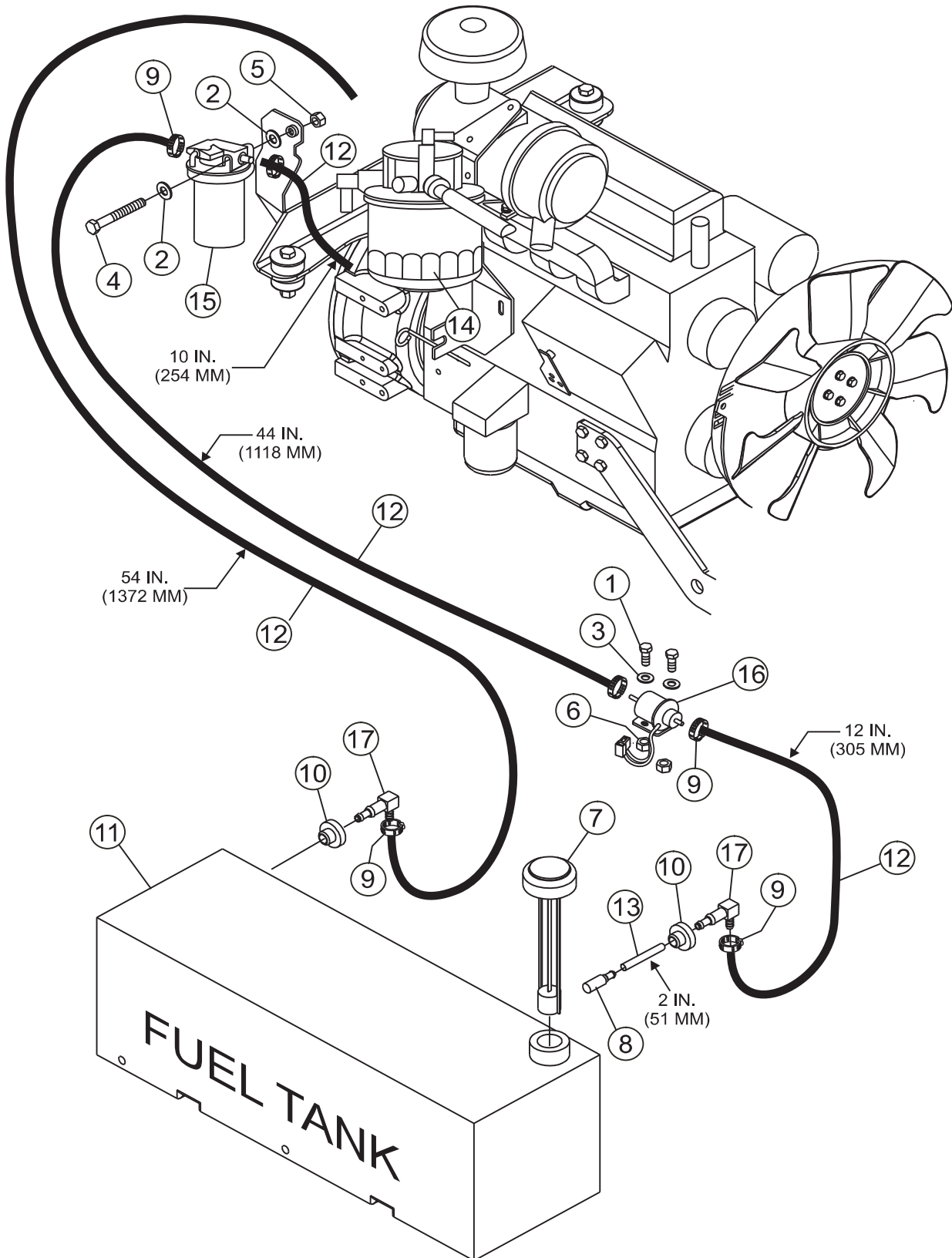
STX-SERIES RIDE ON TROWEL — FUEL SYSTEM ASSY. (JOHN DEERE)

FUEL TANK ASSY. (JOHN DEERE)

<u>NO.</u>	<u>PART NO.</u>	<u>PART NAME</u>	<u>QTY.</u>	<u>REMARKS</u>
1	60013	HOSE, 0.25 ID RUBBER FUEL 9 IN. (229 MM)	1	1 PIECE =1FT (305 MM)
2	60013	HOSE, 0.25 ID RUBBER FUEL 17 IN. (432 MM)	2	1 PIECE =1FT (305 MM)
3	19473	CLAMP, WORM HOSE #4	4	
4	JDT111383	FILTER, FUEL	1	
5	11418	CAP, W/GAUGE "FUEL" (10.5")	1	
6	12006	FITTING, 90 03BARB-4BARB FUEL	1	
7	12010	SCREEN,FUEL (DAPCO 11656)	1	
8	19633	BUSHING, RUBBER FUEL	5	
9	21576	TANK, 12 GALLON FUEL PE	1	
10	60013	HOSE, 0.25 ID RUBBER FUEL 35 IN. (889 MM)	3	1 PIECE=1FT (305 MM)
11	60028	HOSE, .312 ID RUBBER FUEL 21 IN. (533 MM)	2	1 PIECE=1FT (305 MM)
12	60058	HOSE, 1/4 X 3/8 PVC FUEL YELLOW 2 IN. (50.8 MM) .	1	1 PIECE=1FT (305 MM)
13	W12023	FITTING, 90 05BARB-4BARB FUEL	1	

STX-SERIES RIDE ON TROWEL — FUEL SYSTEM ASSY. (YANMAR)

FUEL SYSTEM ASSY. (YANMAR)



STX-SERIES RIDE ON TROWEL — FUEL SYSTEM ASSY. (YANMAR)

FUEL SYSTEM ASSY. (YANMAR)

<u>NO.</u>	<u>PART NO.</u>	<u>PART NAME</u>	<u>QTY.</u>	<u>REMARKS</u>
1	0131 A	SCREW, HHC 1/4 - 20 X 3/4	2	
2	0300 B	WASHER, FLAT 5/16 SAE	2	
3	0948	WASHER, FLAT 1/4 SAE	2	
4	1404	SCREW, HHC 5/16 - 18 X 3-1/4	1	
5	5283	NUT, NYLOC 5/16 - 18	1	
6	10024	NUT, NYLOC 1/4 - 20	2	
7	11418	CAP, W/GAUGE "FUEL" (10.5")	1	
8	12010	SCREEN, FUEL (DAPCO 11656)	1	
9	19473	CLAMP, WORM HOSE #4	8	
10	19633	BUSHING, RUBBER FUEL	5	
11	21576	TANK, 12 GALLON FUE	1	
12	60028	HOSE, .312 ID RUBBER FUEL 10 FT. (1440 MM)	2 SOLD BY FOOT
13	60058	HOSE, 1/4 X 3/8 PVC FUEL YELLOW 2 IN. (50.8 MM)	1 SOLD BY FOOT
14	11980255800	FILTER, FUEL	1	
15	11980255710	SEDIMENT BULB	1	
16	11922552102	PUMP, ELECTRIC FUEL	1	
17	W12023	FITTING, 90 05BARB-4BARB FUEL	2	

STX-SERIES RIDE-ON TROWEL — PIVOT ASSY.

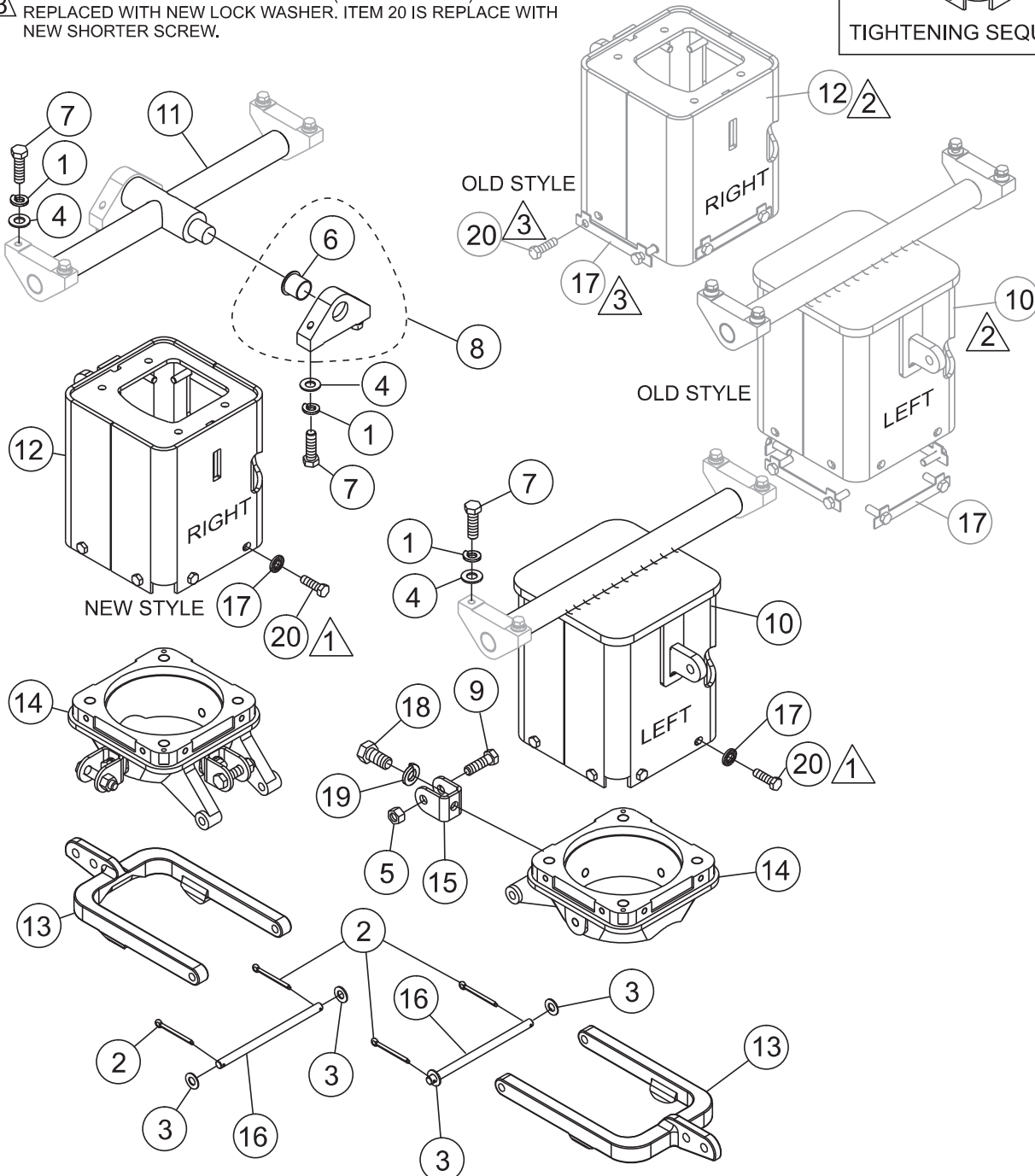
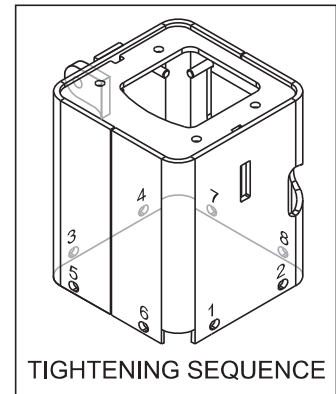
PIVOT ASSY.

NOTES:

1 APPLY MINIMAL AMOUNT OF LPS ANTI-SIEZE GREASE TO THREADS OF SCREW (ITEM 20). HAND START SCREWS. FOLLOWING TIGHTENING SEQUENCE (SEE DIAGRAM AT RIGHT), TORQUE SCREW ASSEMBLY (FIRST PASS) TO A VALUE OF 21 LBS/FT. FOLLOW SAME SEQUENCE FOR FINAL TORQUE OF 41 LBS/FT.

2 OLD STYLE HOUSING UNITS S/N CJ2001038 AND BELOW, HAVE BEEN REPLACED WITH MODIFIED HOUSING USING SAME P/N.

3 WHEN ORDERING HOUSING (OLD STYLE) ITEMS 17 AND 20 ARE NO LONGER AVAILABLE. ITEM 17 (RETAINING BAR) IS REPLACED WITH NEW LOCK WASHER. ITEM 20 IS REPLACE WITH NEW SHORTER SCREW.



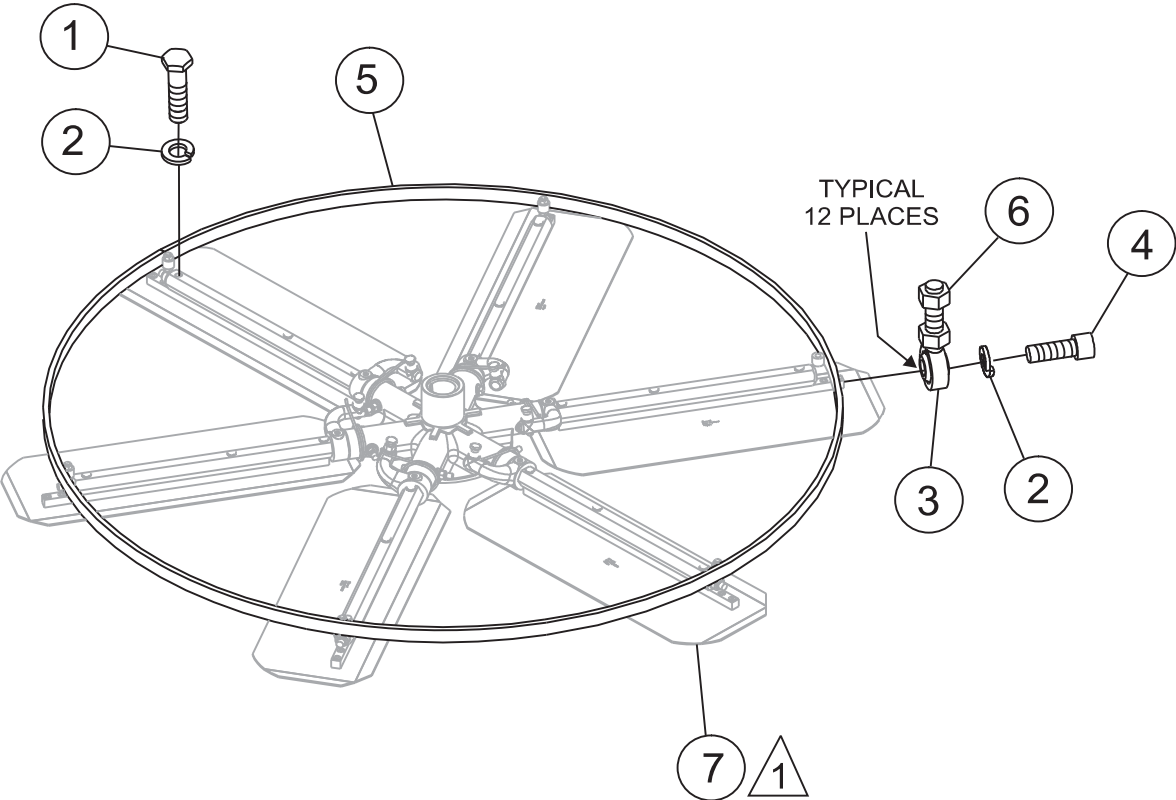
STX-SERIES RIDE-ON TROWEL — PIVOT ASSY.

PIVOT ASSY.

<u>NO.</u>	<u>PART NO.</u>	<u>PART NAME</u>	<u>QTY.</u>	<u>REMARKS</u>
1	0166 A	WASHER, LOCK, 3/8 MED	12	
2	0183	PIN, COTTER 1/8 1-1/4	4	
3	0448	WASHER, FLAT 7/16 SAE	4	
4	10136	WASHER, FLAT 3/8 SAE	8	
5	10176	NUT, NYLOC 1/2-13	6	
6#	10221	BUSHING, IGLIDE # TF-1618-16	6	
7	1023	SCREW, HHC 3/8-16 X 1-1/4	12	
8	11555	ROCKER BLOCK	6	INCLUDES ITEMS W/#
9	13178	SCREW, HHC 1/2-13 X 2-1/4	6	
10	20984	HOUSING, DRIVE MOTOR W/A, LH	1	S/NCJ2001039 AND ABOVE
11	20639	TRUNNION/W PITCH AND PIVOT	1	
12	20985	HOUSING, DRIVE MOTOR W/A, RH	1	
13	20641	YOKE, PITCH-MACHINED	2	
14	20643	HOUSING, LOWER MOTOR MACHINED	2	
15	20787	CLEVIS, STEERING CYLINDER	3	
16	21022	PIN, YOKE PIVOT	2	
17		RETAINER, HYD MOTOR MOUNT	8	NOT AVAILABLE
17	21707	WASHER, FLAT 3/8 NORDLOC	16	S/NCJ2001039 AND ABOVE
18	2691	SCREW, HHC 1/2-13 X 1	3	
19	5054 A	WASHER, LOCK, 1/2 MED	3	
20		SCREW, HHC 3/8-16 X 1-1/4 GRD8	16	NOT AVAILABLE
20	915105	SCREW, HHC 3/8-16 X 1.0 GRD8	16	S/NCJ2001039~JANUARY 28, 2008
20	22228	SCREW, HHF 3/8-16X1.0 GRD8	16	JANUARY 29, 2008 AND ABOVE

STX-SERIES RIDE-ON TROWEL — STABILIZER RING ASSY.

STABILIZER RING ASSY.



NOTES:

 TO PURCHASE BLADES
CONTACT UNIT SALES DEPT.

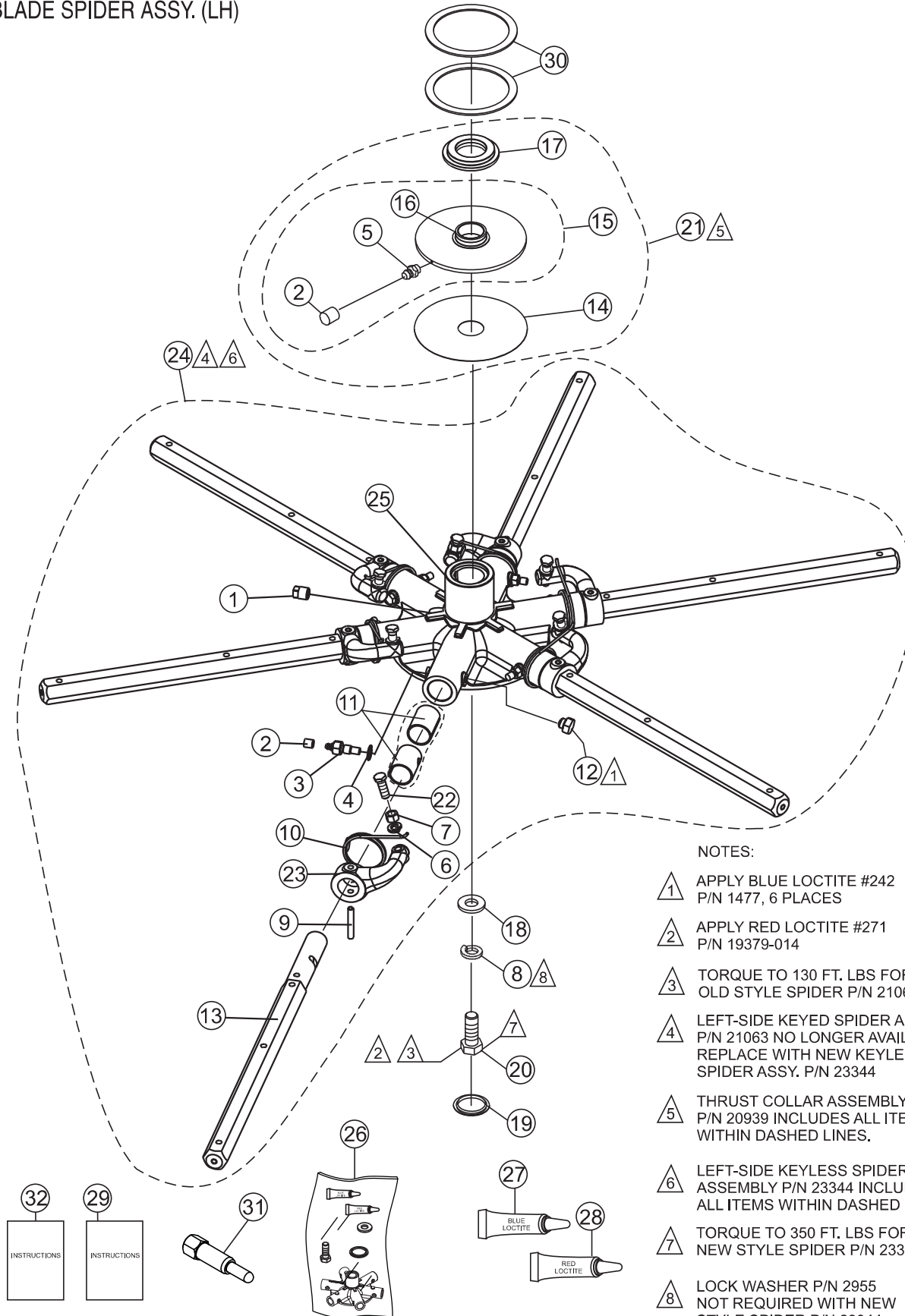
STX-SERIES RIDE-ON TROWEL — STABILIZER RING ASSY.

STABILIZER RING ASSY.

<u>NO.</u>	<u>PART NO.</u>	<u>PART NAME</u>	<u>QTY.</u>	<u>REMARKS</u>
1	0105	SCREW, HCS 5/16-18 X 1-1/2	36	
2	0161 C	WASHER, LOCK, 5/16 MED	48	
3	1723	ROD END, 5/16-24 MALE RH	12	
4	1237	SCREW, SHC 5/16-18 X 7/8 NYLOC	12	
5	12185	RING, STABILIZER W/A	2	
6	6014 C	NUT, HEX FINISH 5/16-24	24	
7		BLADE ASSY.	12CONTACT UNIT SALES

STX-SERIES RIDE ON TROWEL — 6-BLADE SPIDER ASSY. (LH)

6-BLADE SPIDER ASSY. (LH)



NOTES:

- ① APPLY BLUE LOCTITE #242
P/N 1477, 6 PLACES
- ② APPLY RED LOCTITE #271
P/N 19379-014
- ③ TORQUE TO 130 FT. LBS FOR
OLD STYLE SPIDER P/N 21063.
- ④ LEFT-SIDE KEYED SPIDER ASSEMBLY
P/N 21063 NO LONGER AVAILABLE,
REPLACE WITH NEW KEYLESS
SPIDER ASSY. P/N 23344
- ⑤ THRUST COLLAR ASSEMBLY
P/N 20939 INCLUDES ALL ITEMS
WITHIN DASHED LINES.
- ⑥ LEFT-SIDE KEYLESS SPIDER
ASSEMBLY P/N 23344 INCLUDES
ALL ITEMS WITHIN DASHED LINES.
- ⑦ TORQUE TO 350 FT. LBS FOR
NEW STYLE SPIDER P/N 23344.
- ⑧ LOCK WASHER P/N 2955
NOT REQUIRED WITH NEW
STYLE SPIDER P/N 23344.

STX-SERIES RIDE ON TROWEL — 6-BLADE SPIDER ASSY. (LH)

6-BLADE SPIDER ASSY. (LH)

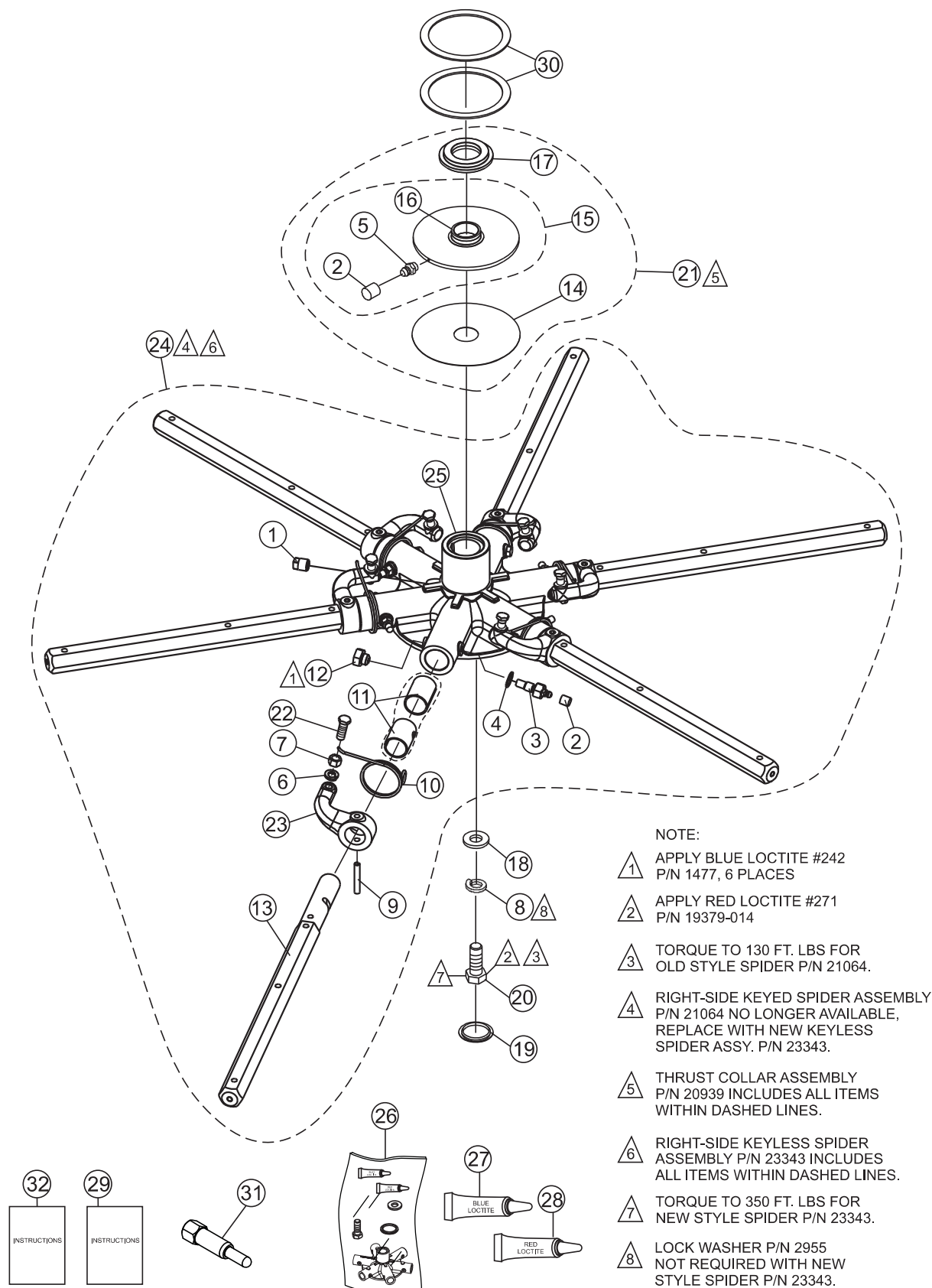
<u>NO.</u>	<u>PART NO.</u>	<u>PART NAME</u>	<u>QTY.</u>	<u>REMARKS</u>
1#	0121 A	FITTING, PLUG 3/8 MP SQ HEAD	1	
2+#	1162 A	CAP, GREASE ZERK #2	2	
3#	1322	SCREW, RETAINING	6	
4#	1875	WASHER, INT. SHKP. 3/8	6	
5+	2621	ZERK, GREASE STR 1/4-28	1	
6#	2955	WASHER, LOCK, 7/16 MED	6	
7#	07034-007	NUT, HEX JAM 7/16-14	6	
8	4388	WASHER, LOCK, 3/4 MED	1	OLD STYLE SPIDER ONLY
9#	9006	PIN, ROLL 5/16 X 2	6	
10#	9111	SPRING, LS ARM RETURN HD/HT, SMALL BOSS	6	
11#	11039	BUSHING, ARM 2 PIECE	12	
12#%@	11602	SCREW, HHC 3/8-16 X 1/4	6	
13#	11991	ARM, TROWEL, 6 BLADE	6	
14+	12250	PLATE, WEAR	1	
15+	12315	THRUST COLLAR W/ BUSHING	1	INCLUDES ITEM W/\$
16+\$	12316	BUSHING, THRUST COLLAR	1	
17+	12779	BEARING, THRUST 6017 2RS W/FLANGE	1	
18	20073	RETAINER, SPIDER	1	OLD STYLE SPIDER ONLY
18%@	933247	WASHER, FLAT SAE 3/4 GRD 9	1	NEW STYLE SPIDER ONLY
19@	20121	PLUG, SPIDER SNAP IN	1	
20	20179	SCREW, HHC 3/4 -16 X 2, GR 8	1	SEE NOTE BELOW
20%@	22465	SCREW, HHC 3/4 -16 X 2.5, GR 8	1	SEE NOTE BELOW
21	20939	THRUST COLLAR ASSY.....	1	INCLUDES ITEMS W/+
22#	21031	SCREW, HHC ROUNDED 7/16-14 UNC SPCL GR8	6	
23#	21049	LEVER, TROWEL ARM HYD L.S.	6	
24	21063	SPIDER ASSY., KEYED, TAPERED LS (OLD STYLE)	1	NO LONGER AVAILABLE
24	23344	SPIDER ASSY., KEYLESS, TAPERED LS (NEW STYLE)	1	INCLUDES ITEMS W/#
25#		SPIDER PLATE, KEYED, TAPERED 6-BLADE DUCTILE	1	NO LONGER AVAILABLE
25@		SPIDER PLATE, KEYLESS, TAPERED, 6-BLADE, EATON	1	S/N BL2001337 AND BELOW
25#%		SPIDER PLATE, KEYLESS, TAPERED 6-BLADE, SAUER	1	S/N BL2001338 AND ABOVE
26#	21630	SPIDER STX SERVICE KIT, OLD STYLE SPIDER	1	NO LONGER AVAILABLE
26#	23341	SPIDER STX SERVICE KIT, TAPERED SPIDER, SAUER	1	INCLUDES ITEMS W/%
26	22578	SPIDER STX SERVICE KIT, TAPERED SPIDER, EATON	1	S/N BL2001337 AND BELOW
			INCLUDES ITEMS W/@
27%@	1477	LOCTITE 242 BLUE .5CC	1	
28%@	19379-014	LOCTITE 271 RED, ANAEROBIC	1	
29%	23342	INST., TAPERED KEYLESS SPIDER KIT, SAUER	1	S/N BL2001338 AND ABOVE
29@	23342E	INST., TAPERED KEYLESS SPIDER KIT, EATON	1	S/N BL2001337 AND BELOW
30@	22577	SPACER, THRUST BEARING, EATON	1	S/N BL2001337 AND BELOW
31@	23340E	PULLER, TAPERED SPIDER, EATON	1	S/N BL2001337 AND BELOW
32@	11788	INSTRUCTIONS, UNIVERSAL SPIDER	1	



WHEN REPLACING ITEM 20, SCREW, ON OLD STYLE SPIDER, USE P/N 20179. WHEN REPLACING ITEM 20 ON NEW STYLE SPIDER, PURCHASE BOTH SCREWS, P/N 20179 AND 22465. REFERENCE ITEM 29, INSTRUCTIONS, P/N 23342, TO DETERMINE PROPER LENGTH OF SCREW FOR SPIDER.

STX-SERIES RIDE-ON TROWEL — 6-BLADE SPIDER ASSY. (RH)

6-BLADE SPIDER ASSY. (RH)



NOTE:

- ▲1 APPLY BLUE LOCTITE #242 P/N 1477, 6 PLACES
- ▲2 APPLY RED LOCTITE #271 P/N 19379-014
- ▲3 TORQUE TO 130 FT. LBS FOR OLD STYLE SPIDER P/N 21064.
- ▲4 RIGHT-SIDE KEYED SPIDER ASSEMBLY P/N 21064 NO LONGER AVAILABLE, REPLACE WITH NEW KEYLESS SPIDER ASSY. P/N 23343.
- ▲5 THRUST COLLAR ASSEMBLY P/N 20939 INCLUDES ALL ITEMS WITHIN DASHED LINES.
- ▲6 RIGHT-SIDE KEYLESS SPIDER ASSEMBLY P/N 23343 INCLUDES ALL ITEMS WITHIN DASHED LINES.
- ▲7 TORQUE TO 350 FT. LBS FOR NEW STYLE SPIDER P/N 23343.
- ▲8 LOCK WASHER P/N 2955 NOT REQUIRED WITH NEW STYLE SPIDER P/N 23343.

STX-SERIES RIDE ON TROWEL — 6-BLADE SPIDER ASSY. (RH)

6-BLADE SPIDER ASSY. (RH)

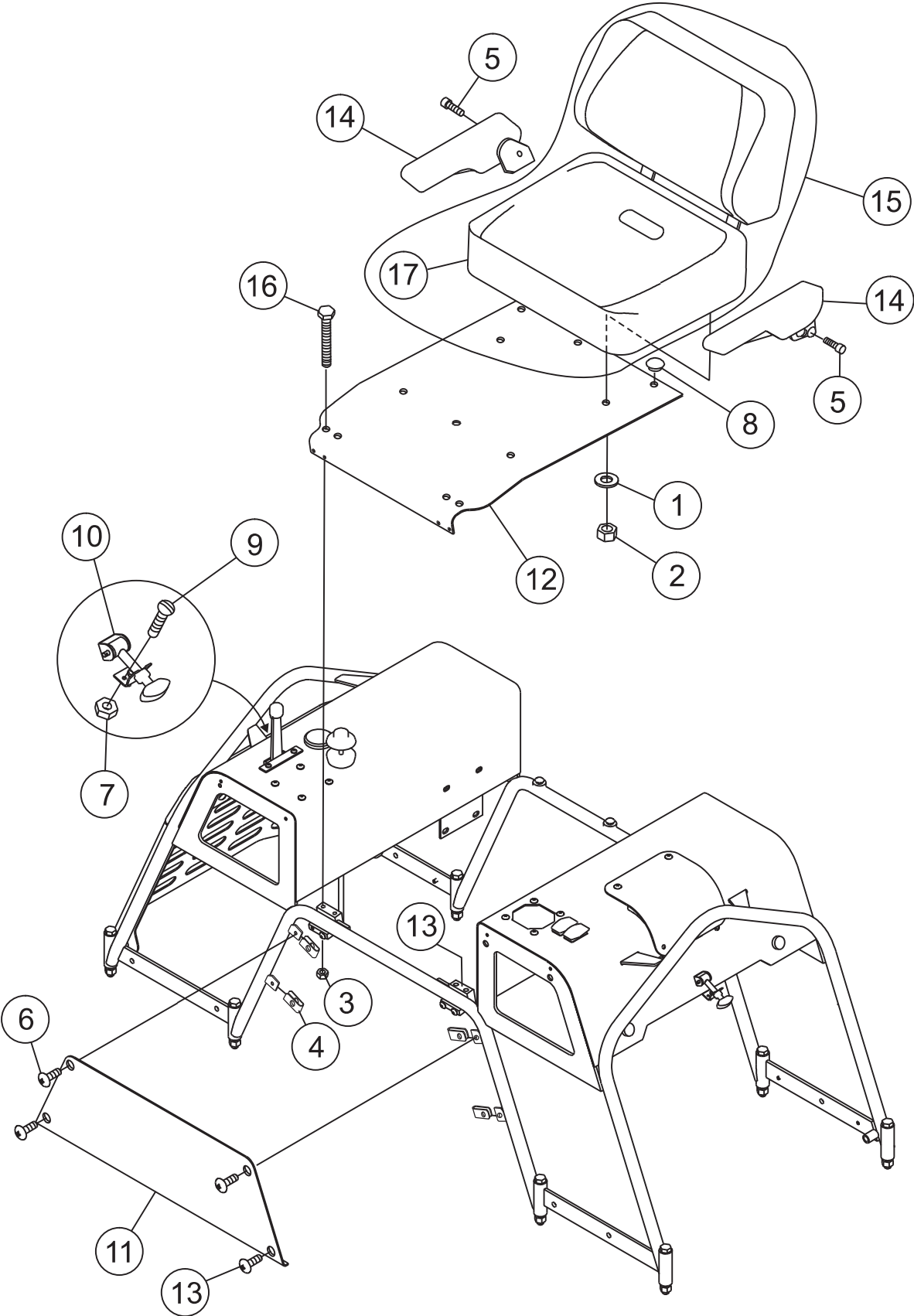
<u>NO.</u>	<u>PART NO.</u>	<u>PART NAME</u>	<u>QTY.</u>	<u>REMARKS</u>
1#	0121 A	FITTING, PLUG 3/8 MP SQ HEAD	1	
2+#	1162 A	CAP, GREASE ZERK #2	2	
3#	1322	SCREW, RETAINING	6	
4#	1875	WASHER, INT. SHKP. 3/8	6	
5+	2621	ZERK, GREASE STR 1/4-28	1	
6#	2955	WASHER, LOCK, 7/16 MED	6	
7#	07034-007	NUT, HEX JAM 7/16-14	6	
8	4388	WASHER, LOCK, 3/4 MED	1 OLD STYLE SPIDER ONLY
9#	9006	PIN, ROLL 5/16 X 2	6	
10#	2143	SPRING, RS ARM RETURN HD/HT, SMALL BOSS	6	
11#	11039	BUSHING, ARM 2 PIECE	12	
12#%@	11602	SCREW, HHC 3/8-16 X 1/4	6	
13#	11991	ARM, TROWEL, 6 BLADE	6	
14+	12250	PLATE, WEAR	1	
15+	12315	THRUST COLLAR W/ BUSHING	1 INCLUDES ITEM W/\$
16+\$	12316	BUSHING, THRUST COLLAR	1	
17+	12779	BEARING, THRUST 6017 2RS W/FLANGE	1	
18	20073	RETAINER, SPIDER	1 OLD STYLE SPIDER ONLY
18%@	933247	WASHER, FLAT SAE 3/4 GRD 9	1 NEW STYLE SPIDER ONLY
19@	20121	PLUG, SPIDER SNAP IN	1	
20	20179	SCREW, HHC 3/4 -16 X 2, GR 8	1 SEE NOTE BELOW
20%@	22465	SCREW, HHC 3/4 -16 X 2.5, GR 8	1 SEE NOTE BELOW
21	20939	THRUST COLLAR ASSY.	1 INCLUDES ITEMS W/+
22#	21031	SCREW, HHC ROUNDED 7/16-14 UNC SPCL GR8	6	
23#	21050	LEVER, TROWEL ARM HYD R.S.	6	
24	21064	SPIDER ASSY., KEYED, TAPERED RS (OLD STYLE)	1 NO LONGER AVAILABLE
24	23343	SPIDER ASSY., KEYLESS, TAPERED RS (NEW STYLE)	1 INCLUDES ITEMS W/#
25#		SPIDER PLATE, KEYED, TAPERED 6-BLADE DUCTILE	1 NO LONGER AVAILABLE
25@		SPIDER PLATE, KEYLESS, TAPERED, 6-BLADE, EATON	1 S/N BL2001337 AND BELOW
25#%		SPIDER PLATE, KEYLESS, TAPERED 6-BLADE, SAUER	1 S/N BL2001338 AND ABOVE
26#	21630	SPIDER STX SERVICE KIT, OLD STYLE SPIDER	1 NO LONGER AVAILABLE
26#	23341	SPIDER STX SERVICE KIT, TAPERED SPIDER, SAUER	1 INCLUDES ITEMS W/%
26	22578	SPIDER STX SERVICE KIT, TAPERED SPIDER, EATON	1 S/N BL2001337 AND BELOW
			INCLUDES ITEMS W/@
27%@	1477	LOCTITE 242 BLUE .5CC	1	
28%@	19379-014	LOCTITE 271 RED, ANAEROBIC	1	
29%	23342	INST., TAPERED KEYLESS SPIDER KIT, SAUER	1	
29@	23342E	INST., TAPERED KEYLESS SPIDER KIT, EATON	1 S/N BL2001337 AND BELOW
30@	22577	SPACER, THRUST BEARING, EATON	1 S/N BL2001337 AND BELOW
31@	23340E	PULLER, TAPERED SPIDER, EATON	1 S/N BL2001337 AND BELOW
32@	11788	INSTRUCTIONS, UNIVERSAL SPIDER	1	



WHEN REPLACING ITEM 20, SCREW, ON OLD STYLE SPIDER, USE P/N 20179. WHEN REPLACING ITEM 20 ON NEW STYLE SPIDER, PURCHASE BOTH SCREWS, P/N 20179 AND 22465. REFERENCE ITEM 29, INSTRUCTIONS, P/N 23342, TO DETERMINE PROPER LENGTH OF SCREW FOR SPIDER.

STX-SERIES RIDE-ON TROWEL — SEAT FRAME ASSY.

SEAT FRAME ASSY.



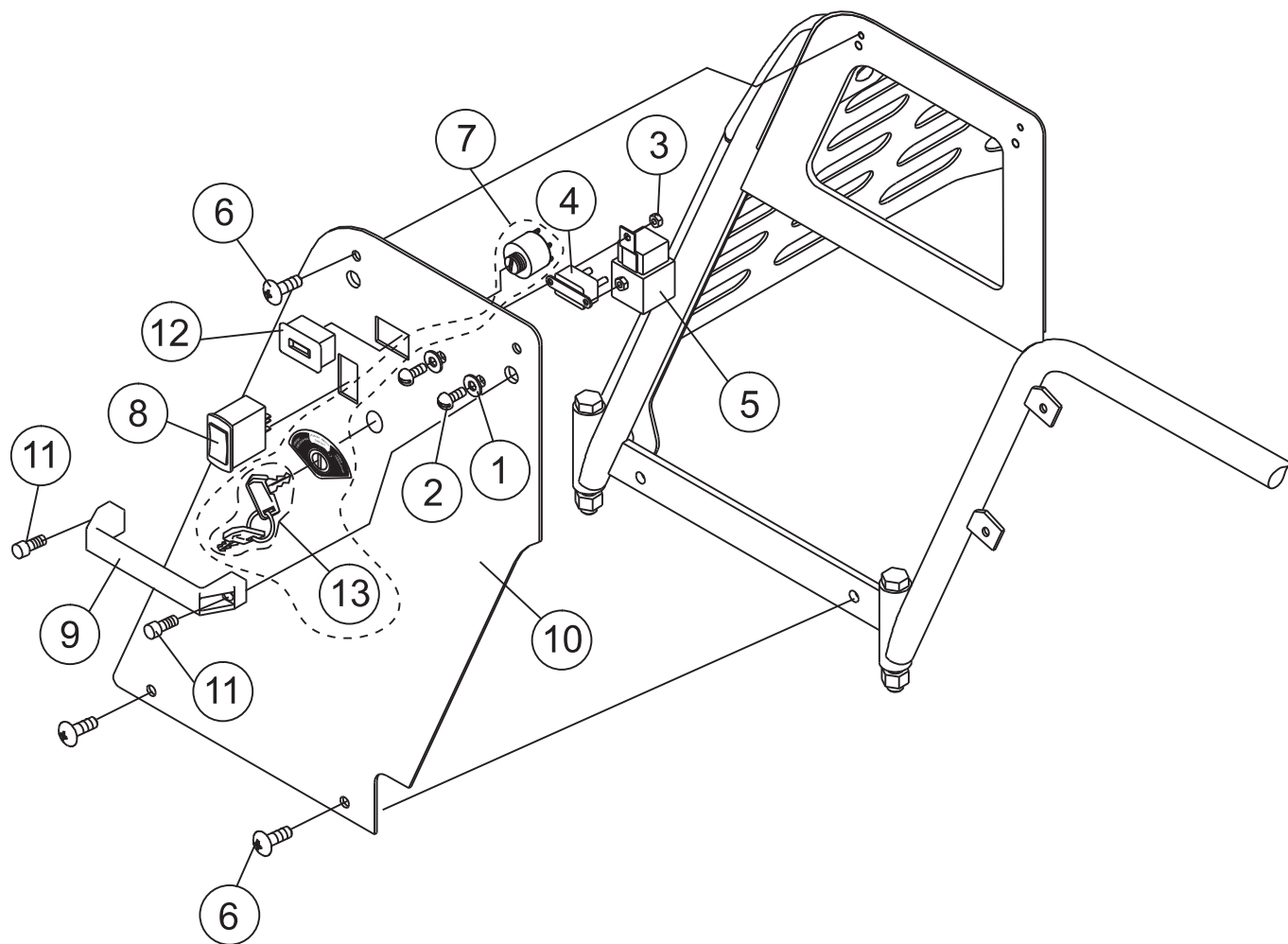
STX-SERIES RIDE-ON TROWEL — SEAT FRAME ASSY.

SEAT FRAME ASSY.

<u>NO.</u>	<u>PART NO.</u>	<u>PART NAME</u>	<u>QTY.</u>	<u>REMARKS</u>
1	0300 B	WASHER, FLAT 5/16 SAE	4	
2	5283	NUT, NYLOC 5/16-18	4	
3	10024	NUT, NYLOC 1/4-20	4	
4	11534	NUT U TYPE 1/4-20	4	
5	11821	SCREW, SHC M8-1.25 X 25 GR10.9, NP	2	
6	12287	SCREW, THP 1/4-20 X 3/4 SS	4	
7	13287	NUT, NYLOC #8-32	4	
8	15161	STOP, RUBBER BUMPER	7	
9	15175	SCREW, PAN HEAD 8-32 X 3/4	4	
10	20673	LATCH, RUBBER HOOD	2	
11	20676	PANEL, SEAT FRAME FRONT CENTER	1	SAFETY ITEM
12	20679	PLATFORM, OPERATOR SEAT	1	
13	20685	BLOCK, OPERATOR SEAT-PIVOT	2	
14	20995	ARM REST ASSY., SET OF 2	1	
15	21420	SEAT, ASSY. W/SWITCH, NO ARMS	1	SAFETY ITEM
			INCLUDES ITEMS W/#
16	26385	SCREW, HHC 1/4-20 X 2.00	4	
17#	21609	SEAT CUSHION W/SWITCH	1	SAFETY ITEM

STX-SERIES RIDE-ON TROWEL — FRONT PANEL ASSY. (RIGHT-SIDE)

FRONT PANEL ASSY. (RIGHT-SIDE)



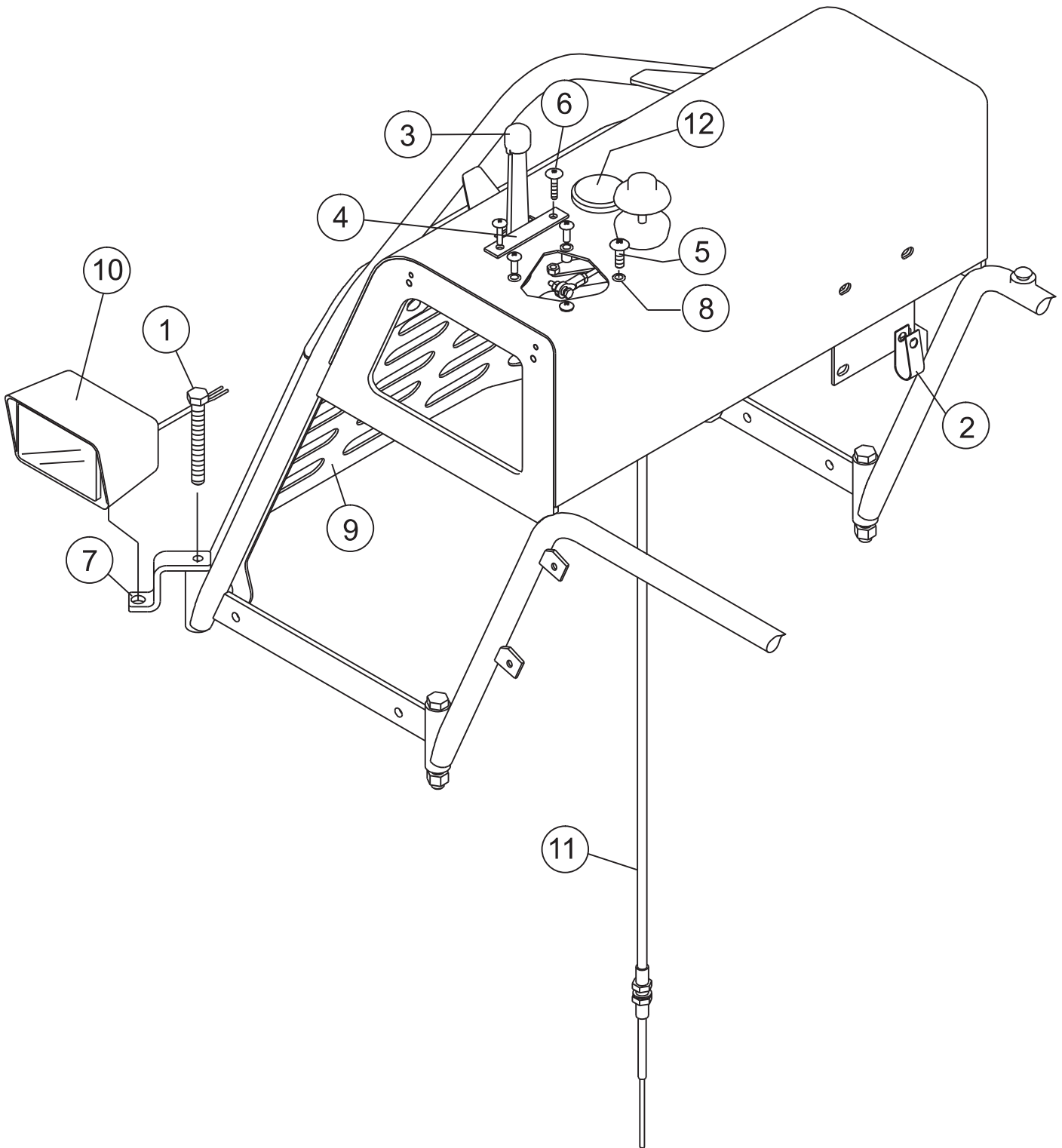
STX-SERIES RIDE-ON TROWEL — FRONT PANEL ASSY. (RIGHT-SIDE)

FRONT PANEL ASSY. (RIGHT-SIDE)

<u>NO.</u>	<u>PART NO.</u>	<u>PART NAME</u>	<u>QTY.</u>	<u>REMARKS</u>
1	2203	WASHER, FLAT # 10 SAE	2	
2	5065 B	SCREW, RHM 10-32 X 1/2	2	
3	10019	NUT, NYLOC 10-32	2	
4	11098	CIRCUIT BRKR,WAYTEK#46540 40 AMP	1	
5	12017	RELAY, KILL	1	SAFETY ITEM
6	12287	SCREW, THP 1/4-20 X 3/4 SS	4	
7	20511	IGNITION KEY AND SWITCH	1	
8	406000	SWITCH, ROCKER DP-DT	1	
9	20674	HANDLE, GRAB	1	SAFETY ITEM
10	20677	PANEL, SEAT FRAME FRONT RIGHT	1	SAFETY ITEM
11	21575	SCREW, SHC 5/16-18 X 3/4	2	
12	29640	HR METER, SENDEC RECT FLUS MT	1	
13	12940	KEY SET, IGNITION	1	

STX-SERIES RIDE-ON TROWEL — FRAME ASSY. (RIGHT-FRONT)

FRAME ASSY. (RIGHT-FRONT)



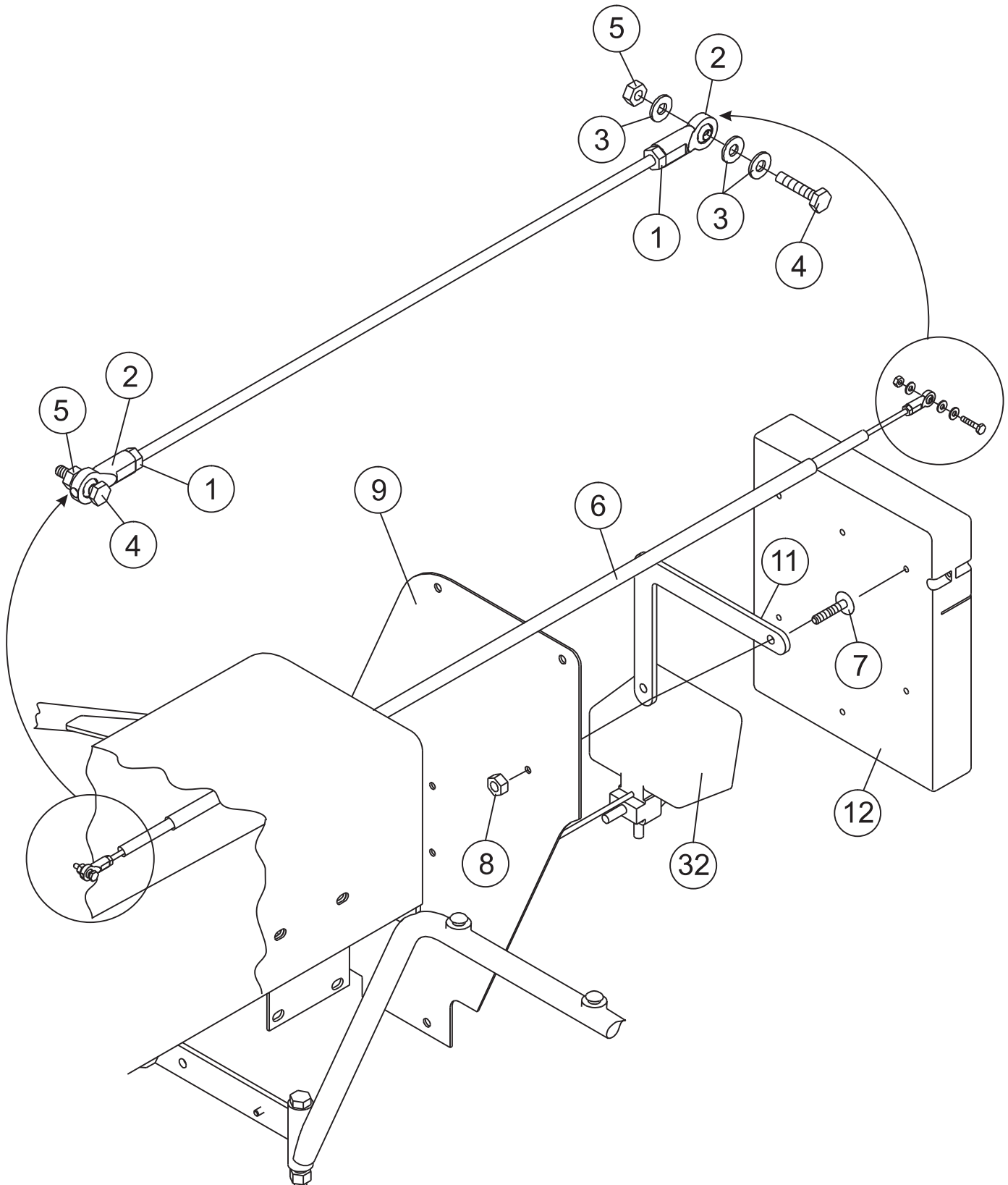
STX-SERIES RIDE-ONTROWEL — FRAME ASSY. (RIGHT-FRONT)

FRAME ASSY. (RIGHT-FRONT)

<u>NO.</u>	<u>PART NO.</u>	<u>PART NAME</u>	<u>QTY.</u>	<u>REMARKS</u>
1	8087	SCREW, HHC 1/2-13 X 4	4	
2	8128	CLAMP, HOSE SUPPORT, 5/16	1	
3	11379	LEVER, THROTTLE	1	
4	11712	ENGINE SPEED DECAL	1	
5	12287	SCREW, THP 1/4-20 X 3/4 SS	4	
6	12288	SCREW, THP 1/4-20 X 1	2	
7	12355	BRACKET, LIGHT	2	
8	19266	NUT, BLIND 1/4-20 X 10GA	4	
9	20680	GUARD W/GRILL	1 SAFETY ITEM
10	21052	LIGHT, SPEAKER WIDE FLOOD	1 SAFETY ITEM
11	21341	CABLE, CTRL THUMB RELEASE 46"	1	
12	406021	GAUGE, ENGINE STATUS	1	

STX-SERIES RIDE-ON TROWEL — FRAME ASSY. (RIGHT-REAR)

FRAME ASSY. (RIGHT-REAR)



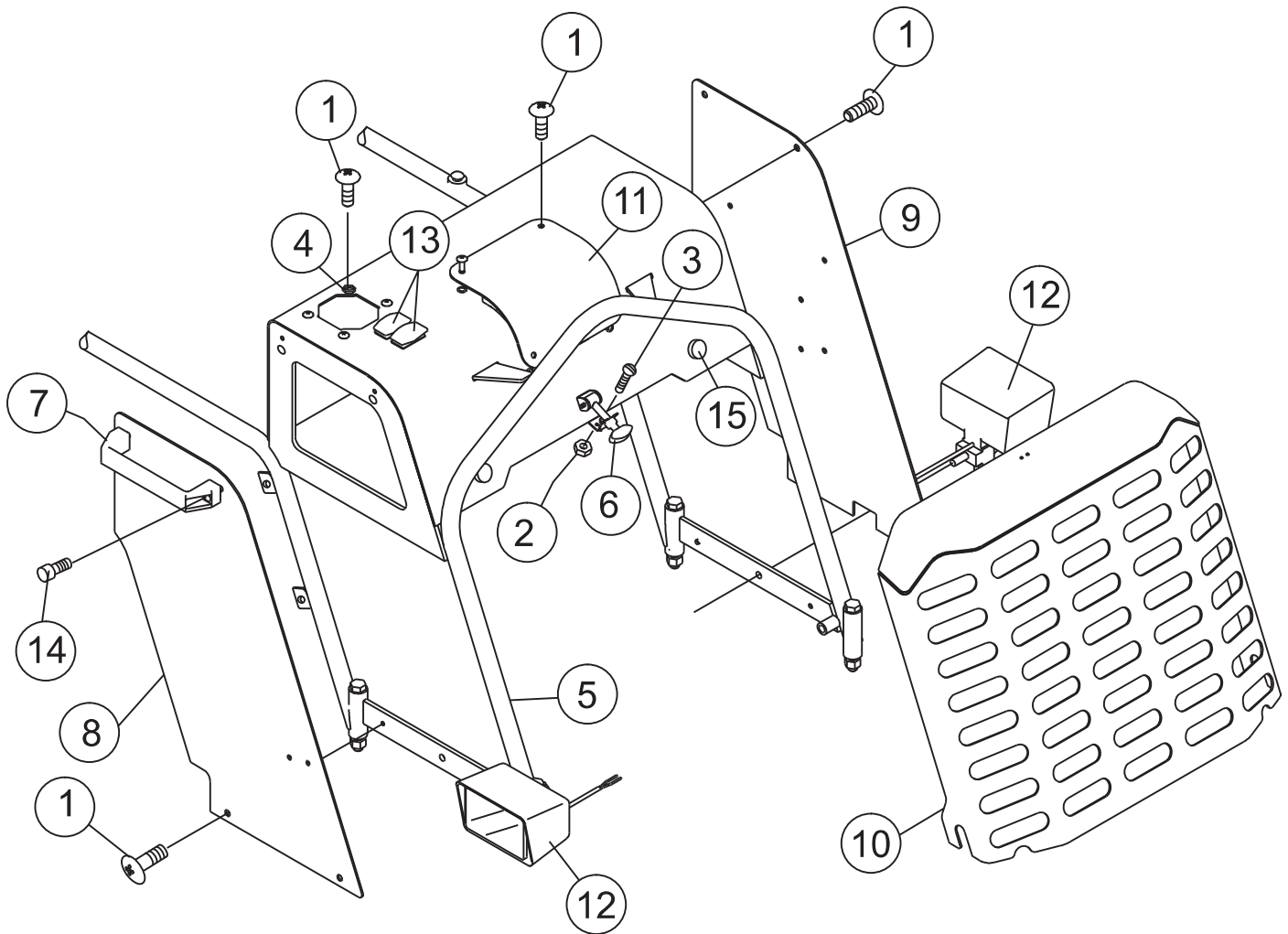
STX-SERIES RIDE-ON TROWEL — FRAME ASSY. (RIGHT-REAR)

FRAME ASSY. (RIGHT-REAR)

<u>NO.</u>	<u>PART NO.</u>	<u>PART NAME</u>	<u>QTY.</u>	<u>REMARKS</u>
1	0937	NUT,HEX #10-32	2	
2	2153	ROD END, 10-32 FEMALE RH	2	
3	2203	WASHER, FLAT # 10 SAE	5	
4	3513	SCREW, HHC 10-32 X 1	2	
5	10019	NUT, NYLOC 10-32	2	
6	10568	CABLE, THROTTLE	1	
7	12287	SCREW, THP 1/4-20 X 1	5	
8	19266	NUT, BLIND 1/4-20 X 10GA	5	
9	20678	PANEL, SEATFRAME RIGHT-REAR.....	1	SAFETY ITEM
10	21052	LIGHT, SPEAKER WIDE FLOOD	1	SAFETY ITEM
11	21604	SPACER, DOCUMENT BOX	1	
12	29057	DOCUMENT BOX, (CP90007-07)	1	

STX-SERIES RIDE-ON TROWEL — FRAME ASSY. (LEFT-FRONT/REAR)

FRAME ASSY. (LEFT-FRONT/REAR)



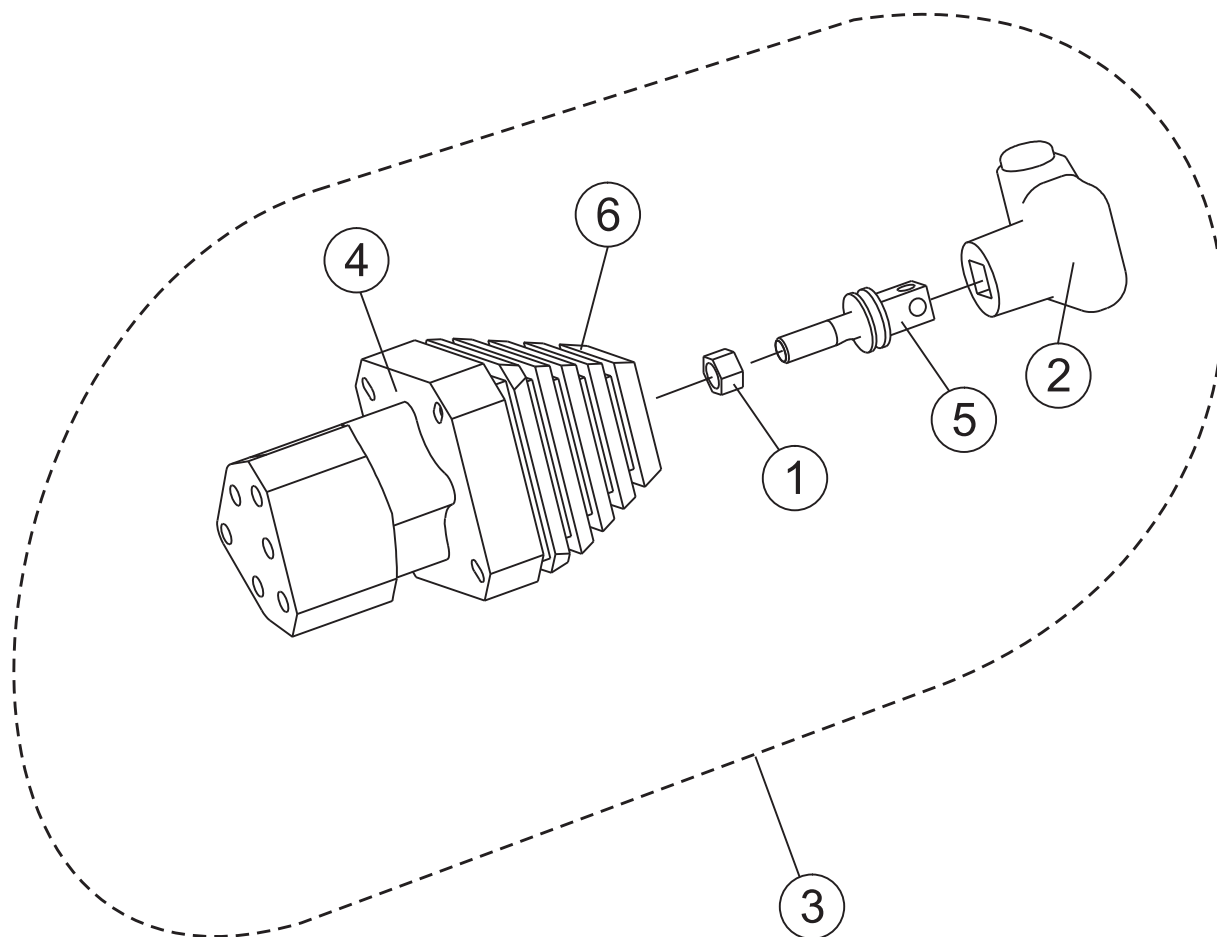
STX-SERIES RIDE-ON TROWEL — FRAME ASSY. (LEFT-FRONT/REAR)

FRAME ASSY. (LEFT-FRONT/REAR)

<u>NO.</u>	<u>PART NO.</u>	<u>PART NAME</u>	<u>QTY.</u>	<u>REMARKS</u>
1	12287	SCREW, THP 1/4-20 X 3/4 SS	12	
2	13287	NUT, NYLOC #8-32	2	
3	15175	SCREW, PAN HEAD 8-32 X 3/4	2	
4	19266	NUT, BLIND 1/4-20 X 10GA	4	
5	20660	SEAT FRAME W/A	1	
6	20673	LATCH, RUBBER HOOD	1	
7	20674	HANDLE, GRAB	1	SAFETY ITEM
8	20675	PANEL, SEAT FRAME FRONT LEFT	1	SAFETY ITEM
9	20678	PANEL, SEAT FRAME REAR LEFT	1	SAFETY ITEM
10	20680	GUARD/W, GRILL W/A	1	SAFETY ITEM
11	20693	PANEL, RADIATOR COVER	1	SAFETY ITEM
12	21052	LIGHT, SPEAKER WIDE FLOOD	2	SAFETY ITEM
13	21470	SWITCH, ON-OFF-ON	2	
14	21575	SCREW, SHC 5/16-18 X 3/4	2	
15	21597	BUMPER,STEM 1"DIA X.5"STEMX.31TK	2	

STX-SERIES TROWEL — R.H. VALVE ASSY. S/N2000885 AND BELOW

RIGHT-HAND VALVE ASSY. S/N 2000885 AND BELOW



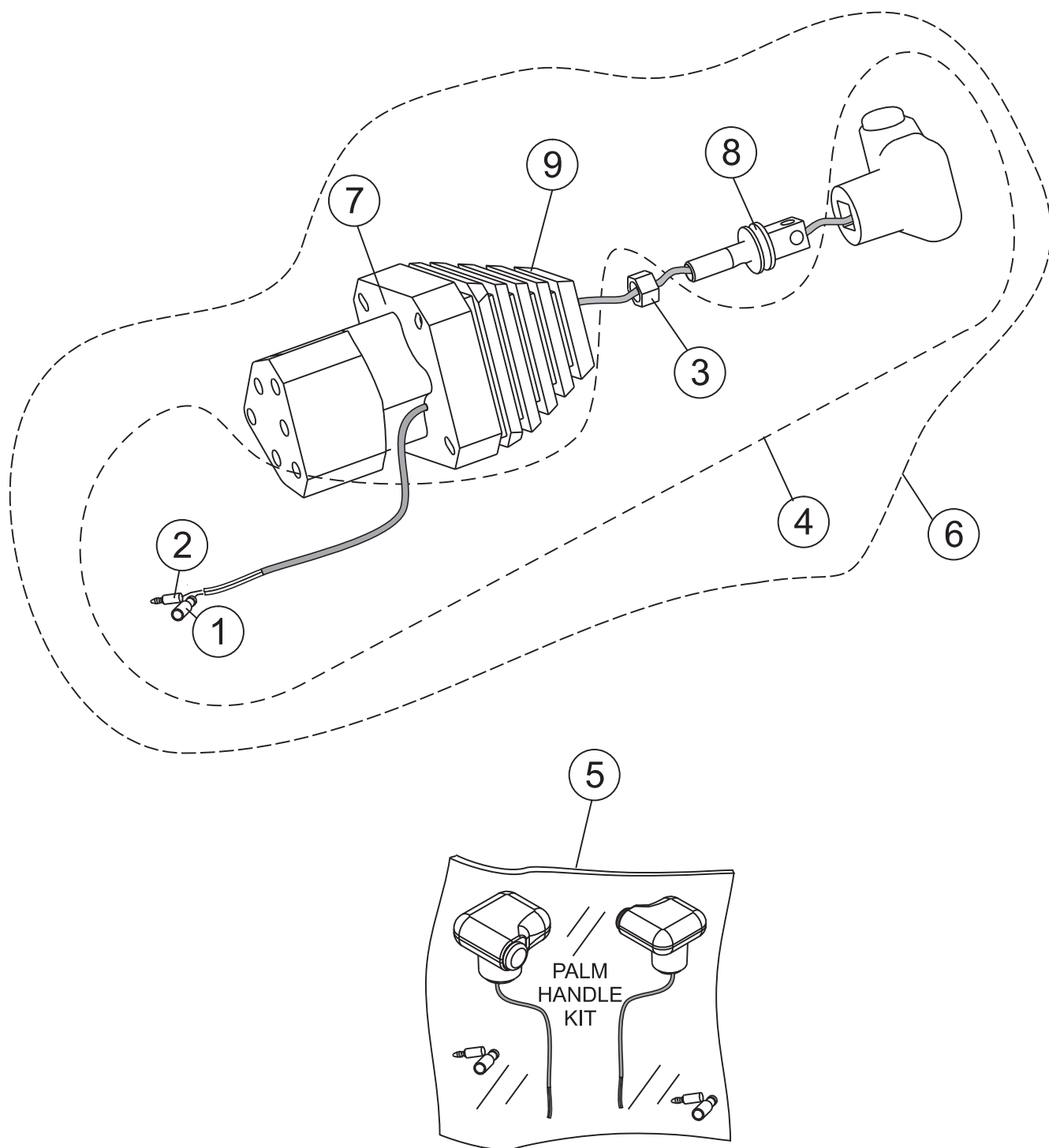
STX-SERIES TROWEL — R.H. VALVE ASSY. S/N2000885 AND BELOW

RIGHT-HAND VALVE ASSY. S/N 2000885 AND BELOW

<u>NO.</u>	<u>PART NO.</u>	<u>PART NAME</u>	<u>QTY.</u>	<u>REMARKS</u>
1*	16083	NUT, HEX M12 P1.75	1	
2*	20149	PALM HANDLE, RIGHT HAND W/O SWITCH	1	
3	20830	VALVE ASSY., RIGHT HAND STG W/O SWITCH	1	INCLUDES ITEMS W/*
4*	20832	RH STEERING VALVE	1	
5*	20834	ADAPTOR, RH PALM HANDLE	1	
6*	21631	BOOT, STEERING VALVE	1	

STX-SERIES TROWEL — R.H. VALVE ASSY. S/N2000886 AND ABOVE

RIGHT-HAND VALVE ASSY. S/N 2000886 AND ABOVE



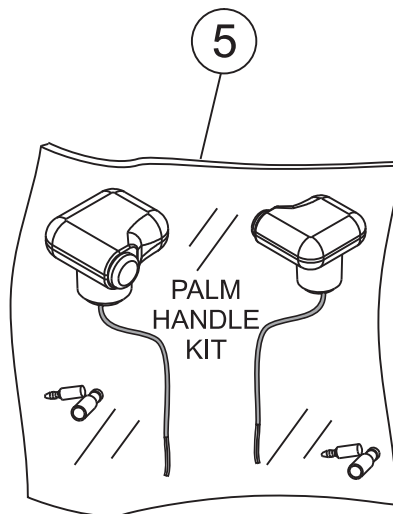
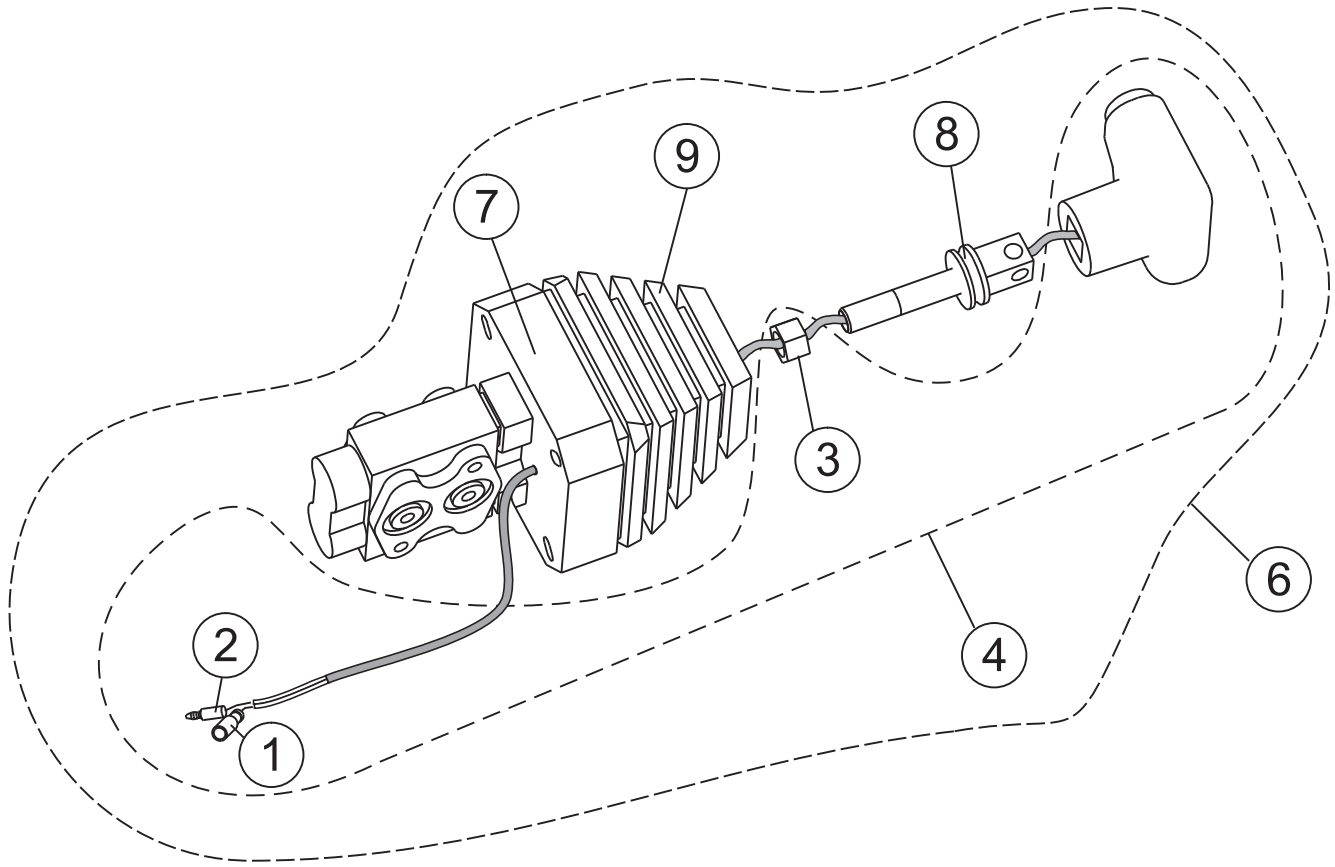
STX-SERIES TROWEL — R.H. VALVE ASSY. S/N2000886 AND ABOVE

RIGHT-HAND VALVE ASSY. S/N 2000886 AND ABOVE

<u>NO.</u>	<u>PART NO.</u>	<u>PART NAME</u>	<u>QTY.</u>	<u>REMARKS</u>
1#*\$	1318	TERMINAL, BULLET, FEMALE, 18-22	1	
2#*\$	4692	TERMINAL, BULLET MALE 14-16	1	
3#*	16083	NUT, HEX M12 P1.75	1	
4*\$	20155	PALM HANDLE, W/SWITCH, RIGHT	1	INCLUDES ITEMS W/#
5	20165	PALM HANDLE KIT, LEFT/RIGHT HANDLES	1	INCLUDES ITEMS W/\$
6	20829	VALVE ASSY., RH STEERING W/SWITCH	1	INCLUCES ITEMS W/*
7*	20832	VALVE, RH STEERING	1	
8*	20834	ADAPTOR, RH PALM HANDLE	1	
9*	21631	BOOT, STEERING VALVE	1	

STX-SERIES RIDE-ON TROWEL — LEFT-HAND VALVE ASSY.

LEFT-HAND VALVE ASSY.



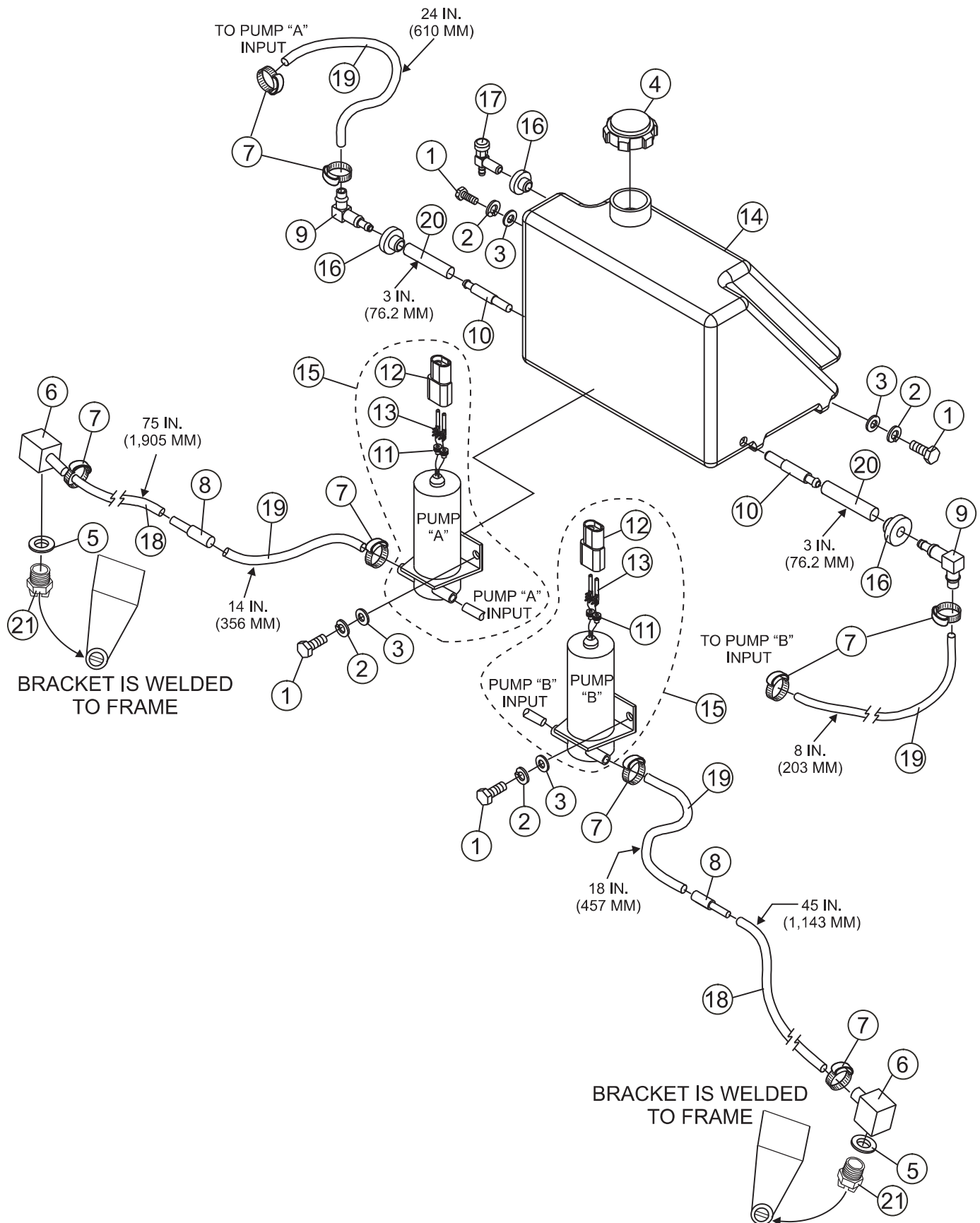
STX-SERIES RIDE-ON TROWEL — LEFT-HAND VALVE ASSY.

LEFT-HAND VALVE ASSY.

<u>NO.</u>	<u>PART NO.</u>	<u>PART NAME</u>	<u>QTY.</u>	<u>REMARKS</u>
1#*\$	1318	TERMINAL, BULLET, FEMALE, 18-22	1	
2#*\$	4692	TERMINAL, BULLET MALE 14-16	1	
3#*	16083	NUT, HEX M12 P1.75	1	
4*\$	20150	PALM HANDLE, W/SWITCH, LEFT	1	INCLUDES ITEMS W/#
5	20165	PALM HANDLE KIT, LEFT/RIGHT HANDLES	1	INCLUDES ITEMS W/\$
6	20831	VALVE ASSY., LH STEERING W/SWITCH	1	INCLUCES ITEMS W/*
7*	20833	VALVE, LH STEERING	1	
8*	21053	ADAPTOR, LH PALM HANDLE	1	
9*	21631	BOOT, STEERING VALVE	1	

STX-SERIES RIDE ON TROWEL — SPRAY ASSY.

SPRAY ASSY.



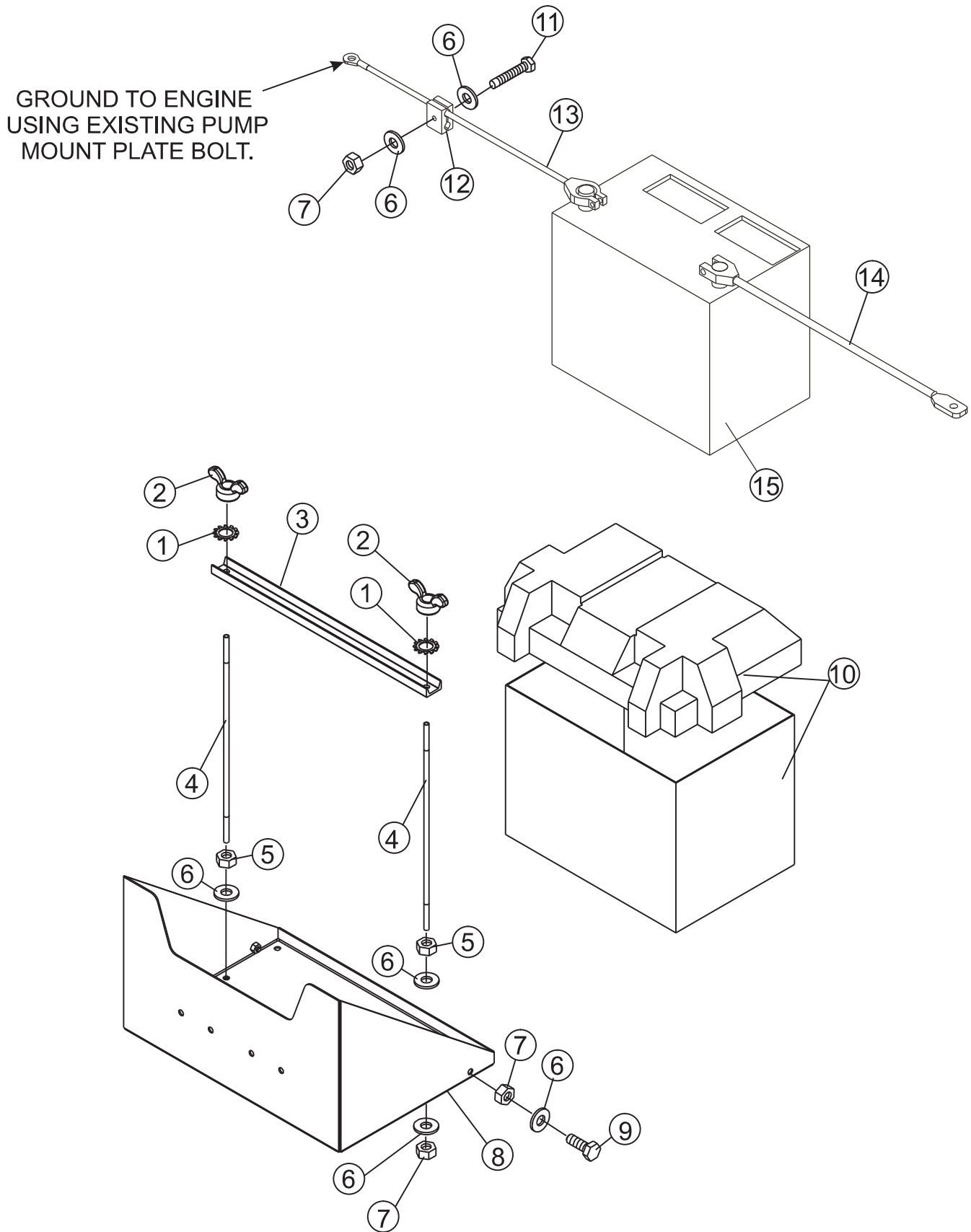
STX-SERIES RIDE ON TROWEL — SPRAY ASSY.

SPRAY ASSY.

<u>NO.</u>	<u>PART NO.</u>	<u>PART NAME</u>	<u>QTY.</u>	<u>REMARKS</u>
1	0131 A	SCREW, HHC 1/4-20 x 3/4	3	
2	0181 B	WASHER, LOCK, 1/4 MED	3	
3	0948	WASHER, FLAT, 1/4 SAE	30	
4	2108	CAP, SPRAY TANK	1	
5	2898	WASHER, ROUNDED NEOPRENE 1 X 1/2	2	
6	2912	FITTING 90 DEGREE	2	
7	2918	CLAMP, HOSE .475-.536 ID	8	
8	10022	FITTING, PLASTIC-TEE 1/4 BARB	2	
9	12008	FITTING, 90 FUEL	2	
10	12009	SCREEN, FILTER DAPCO 11604	2	
11#	12171	SEAL, WPACK 16-18 (GRN)	4	
12#	12176	CONNECTOR, WPACK 2 PIN SHROUD	2	
13#	12179	TERMINAL, WPACK MALE 14-16 GA	4	
14	12403	TANK	1	
15	12548	PUMP, SPRAY	2	INCLUDES ITEMS W/#
16	19633	BUSHING, RUBBER FUEL	5	
17	19661	VALVE, DRAIN (DAPCO P/N 11478)	1	
18	60001	HOSE, .25 ID x .375 OD TYGON 10 FT.....	1	SOLD BY FOOT
19	60002	HOSE, .375 ID x .5 OD TYGON 5.3. FT	1	SOLD BY FOOT
20	60058	HOSE, 1/4 x 3/8 PVC FUEL YELLOW .5 FT	1	SOLD BY FOOT
21	392292	NOZZEL, SPRAY	2	

STX-SERIES RIDE ON TROWEL — BATTERY ASSY.

BATTERY ASSY.



STX-SERIES RIDE ON TROWEL — BATTERY ASSY.

BATTERY ASSY.

<u>NO.</u>	<u>PART NO.</u>	<u>PART NAME</u>	<u>QTY.</u>	<u>REMARKS</u>
1	10031	WASHER, EXT SHKP 1/4	2	
2	2509	NUT, WING 1/4-20 PLATED	2	
3	11692	BRACKET, BATTERY BOX	1	
4	11693	BOLT, BATTERY BRACKET	2	
5	0949	NUT, HEX FINISH 1/4-20	2	
6	0948	WASHER, FLAT, 1/4 SAE	8	
7	10024	NUT, NYLOC 1/4-20	5	
8	20696	BATTERY BOX W/A	1	
9	0131 A	SCREW, HHC 1/4-20 x 3/4	2	
10	10318	BATTERY BOX, GROUP 24	1	SAFETY ITEM
11	5277	SCREW, HHC 1/4-20 x 1-1/2	1	
12	12273	CLAMP, 3/8 TUBE	1	
13	12278	CABLE, BAT NEG 4GA32x3/8R	1	
14	21767	CABLE, POS BATTERY RED 38"	1	
15		BATTERY 12V GR22	1	USE INTERSTATE P/N 22F-60