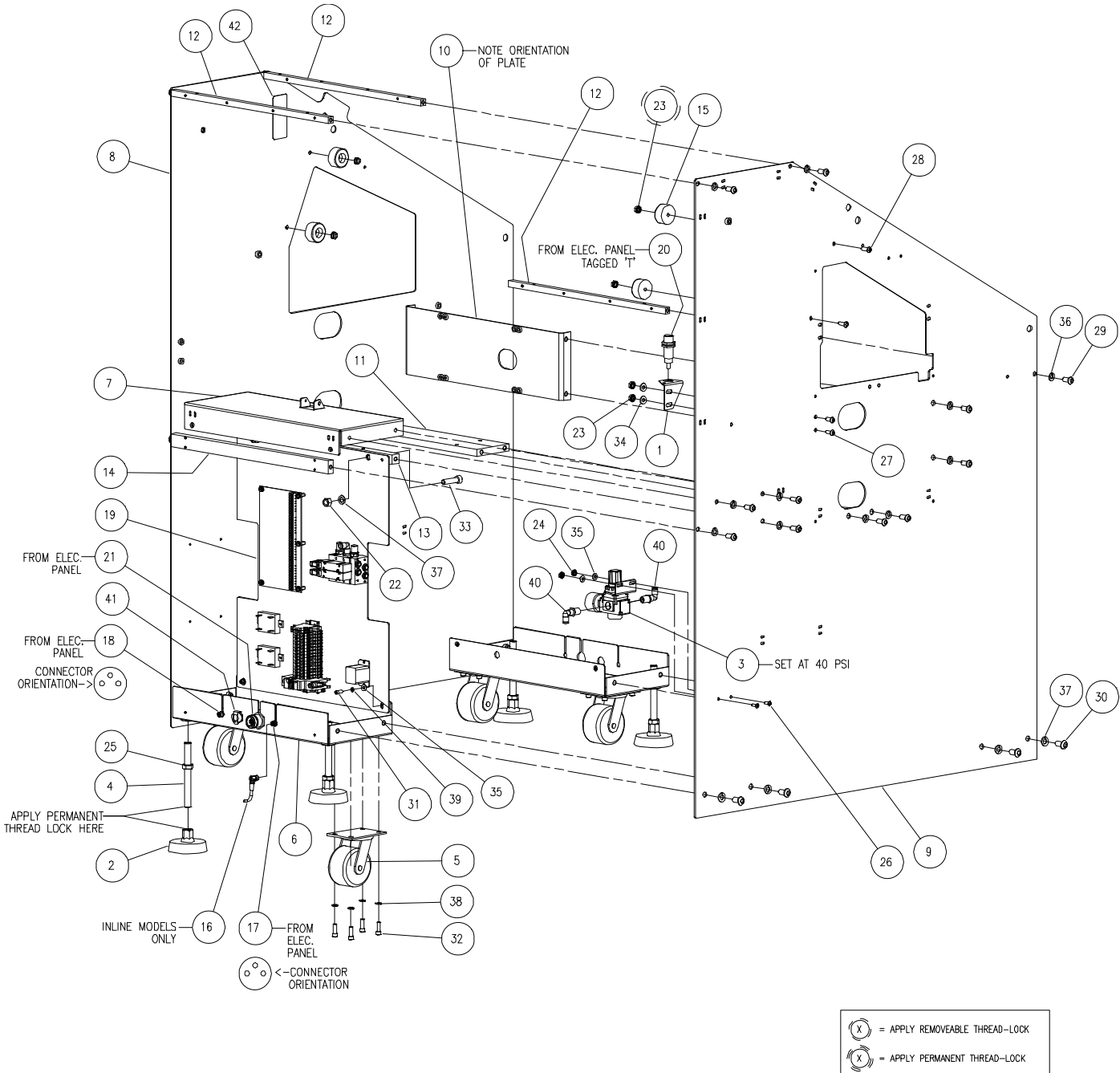


# 8.0 Part Lists and Wiring Diagrams

## 8.1 Main Assembly – 130 Model, 58500TCA (1/9) – Side Frames

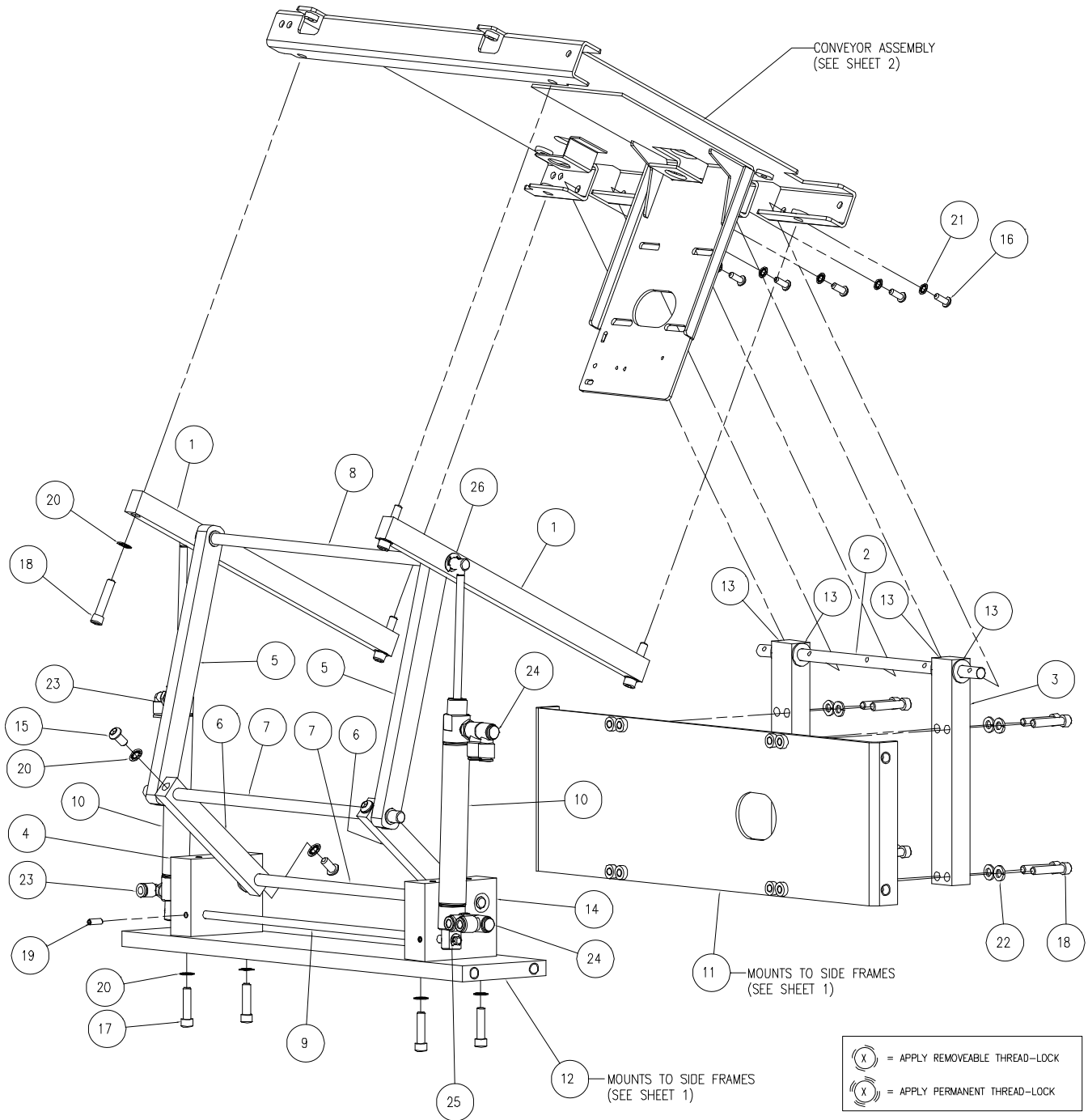


ITEM	PART NO.	DESCRIPTION	QTY
1	47171-1	BRACKET - CLAMP PROX	1
2	51036	FOOT	4
3	56025-1	REGULATOR W/ GAUGE AND BRACKET	1
4	56456	THREADED ROD - 1/2-13 X 5	4
5	56805	CASTER	4
6	58004-1	LOWER CROSS BRACKET	2
7	58006	CROSS BRACKET - ELEC PANEL	1
8	58501	SIDE FRAME- RH	1
9	58502-1	SIDE FRAME- LH	1
10	58503	HINGE MOUNTING BRACKET	1
11	58504	BEARING BLOCK SUPPORT	1
12	58539	TIE BAR	3
13	58542	TIE BAR- POWER PANEL	1
14	58546	TIE BAR	1
15	A-11074-2	FOOT - RUBBER	4
16	E-3505	'CAN' CABLE JUMPER	1
17	EE-3460-3	PLUG ASM. - MALE, 'CAN'	REF
18	EE-3460-4	PLUG ASM. - FEMALE, 'CAN'	REF
19	EE-3515	ELECTRICAL PANEL ASSEMBLY	1
20	EE-3533-4	PROX. ASM.- TILT CONVEYOR DOWN "T"	REF
21	EE-3550	PLUG ASM. - MALE, INCOMING POWER	REF
22	H-6417-6	NUT - 3/8-16 HEX	2
23	H-6423-4	NUT - 1/4-20 HEX KEP	6
24	H-6423-#10	NUT - #10-24 HEX KEP	2
25	H-6424-8	NUT - 1/2-13 HEX JAM	4
26	H-6910-102404	SCREW - #10-24 X 1/2 BUT HD	2
27	H-6910-405	SCREW - 1/4-20 X 5/8 BUT HD	2
28	H-6910-406	SCREW - 1/4-20 X 3/4 BUT HD	4
29	H-6910-506	SCREW - 5/16-18 X 3/4 BUT HD	22
30	H-6910-606	SCREW - 3/8-16 X 3/4 BUT HD	8
31	H-6918-102404	SCREW - #10-24 X 1/2 SOC HD	2
32	H-6918-406	SCREW - 1/4-20 X 3/4 SOC HD	16
33	H-6918-612	SCREW - 3/8-16 X 1-1/2 SOC HD	2
34	H-7321-4	WASHER - 1/4 SAE PLAIN	2
35	H-7321-#10	WASHER - #10 SAE PLAIN	4
36	H-7327-10	WASHER - 5/16 MEDIUM LOCK	22
37	H-7327-12	WASHER - 3/8 MEDIUM LOCK	10
38	H-7327-8	WASHER - 1/4 MEDIUM LOCK	16
39	H-7327-#10	WASHER - #10 MEDIUM LOCK	2
40	P-503-402	ELBOW-1/4 TUBE X 1/4 NPT	2
41	P-515	PUSH-IN CONNECTOR (1/4 FEM PASS-THRU)	1
42	S-1781-15	LABEL - MOVING PARTS HAZARD	1



ITEM	PART NO.	DESCRIPTION	QTY
1	7909	TIMING BELT - 220XL037	1
2	56346	TIMING PULLEY- 56 GROOVE	1
3	56405	TENSIONER BLOCK	2
4	56613	DRIVE ASM	1
5	56614	IDLER ASM	1
6	56651	ENDLESS BELT - TILT CONVEYOR	1
7	58505	BOOK STOP	1
8	58597	GUIDE BRACKET	1
9	56180_X_1INCH_LONG	REFLECTIVE TAPE - 1" WIDE X 1" LONG	2
10	56606-1	WELDMENT - TILT FRAME	1
11	E-1600-163	GEAR MOTOR	1
12	E-2181-4	CAPACITOR	1
13	E-2626-3	TERMINAL STRIP (3P)	1
14	EE-3541-8	PROX. ASM. - BOOK ON TILT - "A"	REF
15	EE-3541-9	PROX. ASM. - BOOK ON TILT - "B"	REF
16	EE-3542-1	CABLE ASSEMBLY - TILT MOTOR "T"	1
17	H-6910-405	SCREW - 1/4-20 X 5/8 BUTTON HEAD CAP	4
18	H-6910-102404	SCREW - #10-24 X 1/2 BUTTON HEAD CAP	6
19	H-6913-102408	SCREW - #10-24 X 1 HEX HEAD CAP	2
20	H-6918-44003	SCREW - #4-40 X 3/8 SOCKET HEAD CAP	1
21	H-6918-63206	SCREW - #6-32 X 3/4 SOCKET HEAD CAP	2
22	H-6918-102403	SCREW - #10-24 X 3/8 SOCKET HEAD CAP	1
23	H-6938-102404	SCREW - #10-24 X 1/4 CUP SOC SET	2
24	H-6990-103204	SCREW - #10-32 X 1/2 HEX HEAD CAP	4
25	H-7321-4	WASHER - 1/4 SAE PLAIN	4
26	H-7321-#10	WASHER - #10 SAE PLAIN	4
27	H-7324-#4	WASHER - #4 INT TOOTH	1
28	H-7324-#10	WASHER - #10 INT TOOTH	11
29	H-7327-8	WASHER - 1/4 MEDIUM LOCK	4
30	S-1781-42	LABEL - GROUND	1

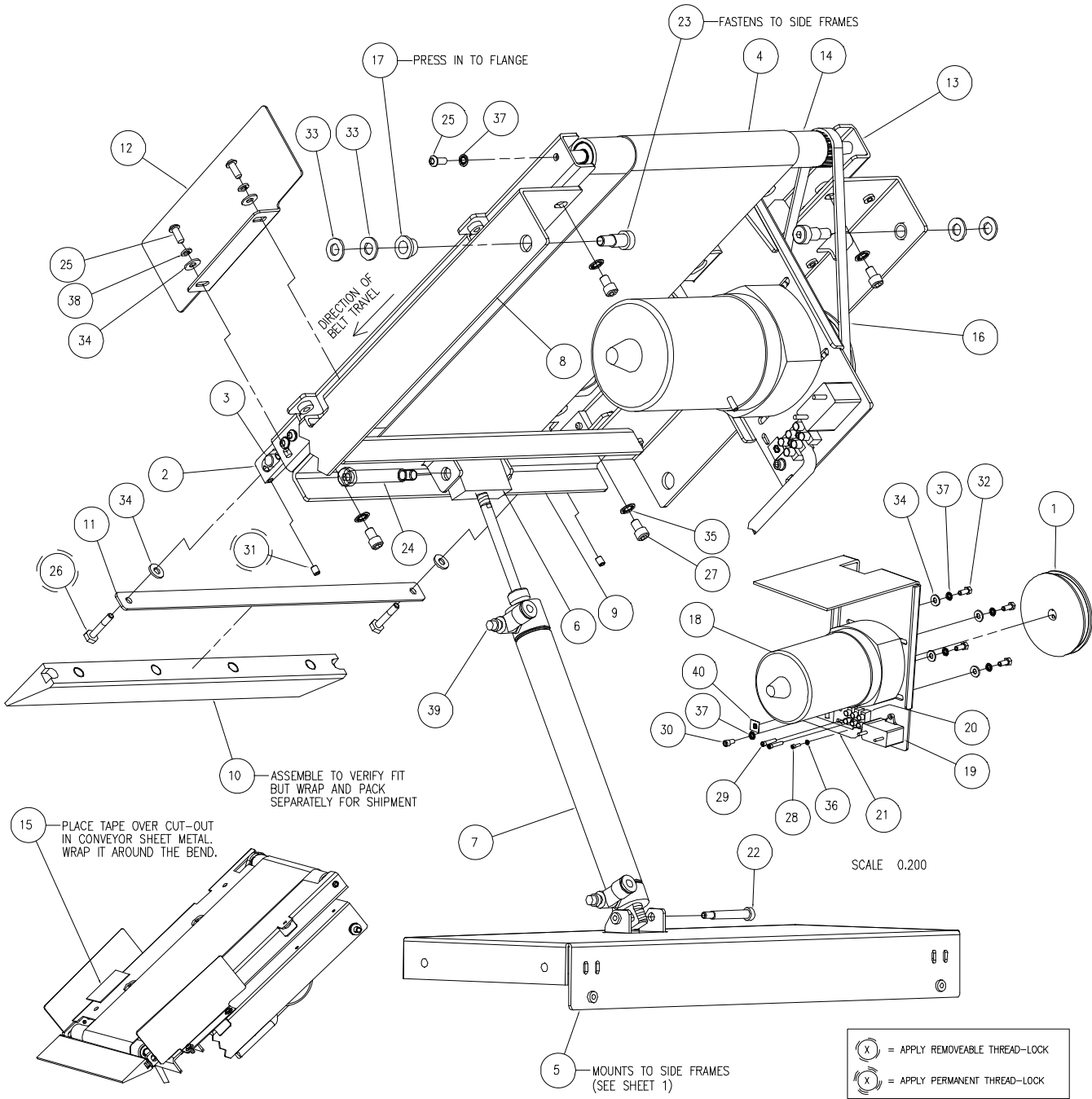
8.3 Main Assembly – 130 Model, 58500TCA (3/9) – Tilt Mechanism



---

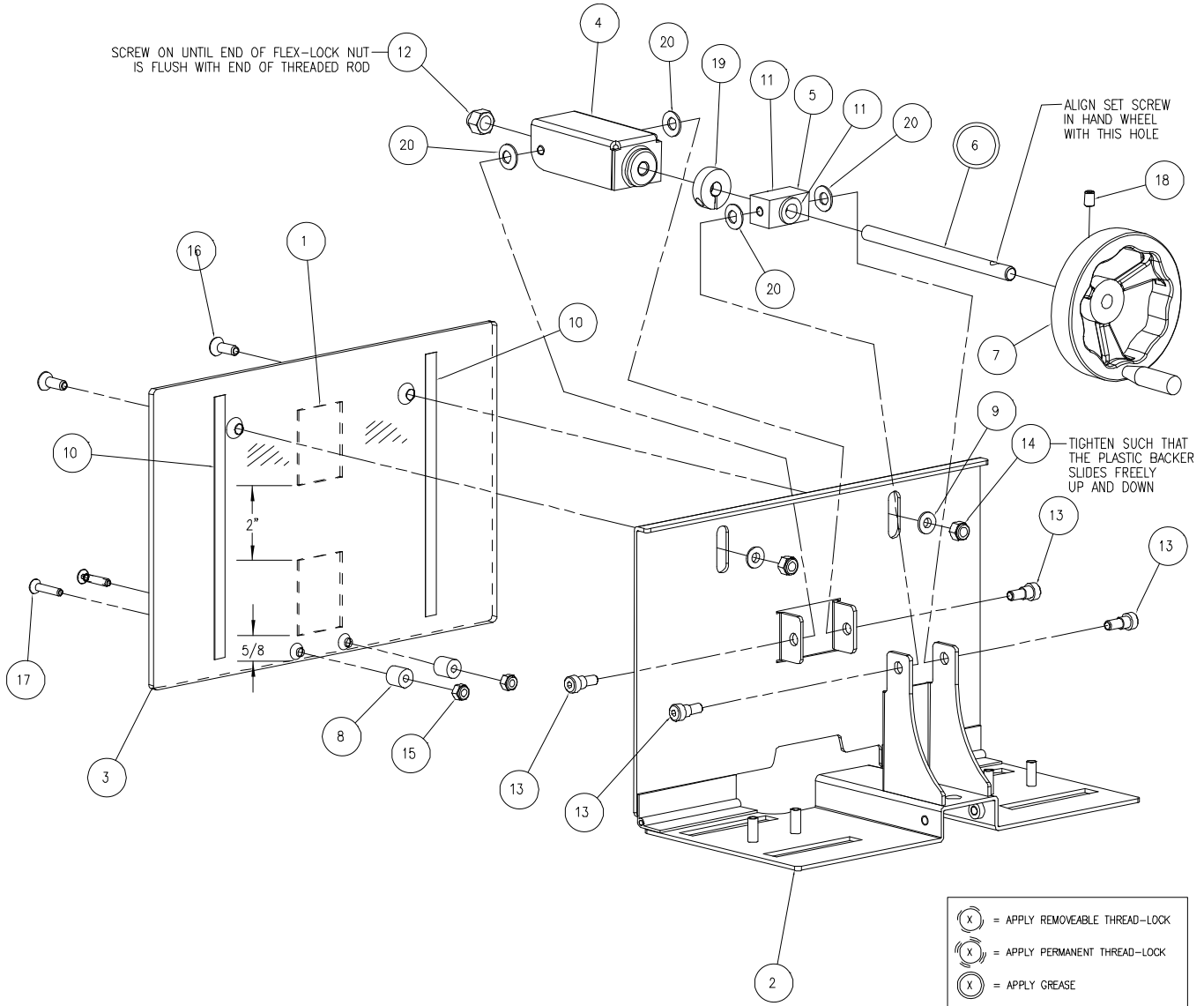
ITEM	PART NO.	DESCRIPTION	QTY
1	56604	TILT CROSS BAR ASSEMBLY	2
2	56605	TILT HINGE ROD	1
3	56612	HINGE ASSEMBLY	2
4	56618	BEARING BLOCK ASM. - RH	1
5	56620	LINK ASM	2
6	56621	LOWER LINK	2
7	56622	AXLE	2
8	56623	PUSH ROD	1
9	56633	LOWER CYLINDER MOUNT ROD	1
10	56634	AIR CYLINDER	2
11	58503	HINGE MOUNTING BRACKET	REF
12	58504	BEARING BLOCK SUPPORT	REF
13	11288-5	WASHER/SPACER	4
14	56618-1	BEARING BLOCK ASM. - LH	1
15	H-6910-404	SCREW - 1/4-20 X 1/2 BUTTON HEAD CAP	4
16	H-6910-102404	SCREW - #10-24 X 1/2 BUTTON HEAD CAP	5
17	H-6918-408	SCREW - 1/4-20 X 1 SOCKET HEAD CAP	4
18	H-6918-410	SCREW - 1/4-20 X 1-1/4 SOCKET HEAD CAP	12
19	H-6938-102408	SCREW - #10-24 X 1/2 CUP SOC SET	2
20	H-7324-8	WASHER - 1/4 INT TOOTH	12
21	H-7324-#10	WASHER - #10 INT TOOTH	5
22	H-7327-8	WASHER - 1/4 MEDIUM LOCK	8
23	P-503-401	ELBOW-1/4 TUBE X 1/8 NPT	2
24	P-509-401	DOUBLE UNIVERSAL ELBOW 1/4 TUBE X 1/8 NPT	2
25	S-1193-25	E-RING - 1/4"	4
26	S-1193-37	E-RING - 3/8"	2

8.4 Main Assembly – 130 Model, 58500TCA (4/9) – Transition Conveyor



ITEM	PART NO.	DESCRIPTION	QTY
1	56346	TIMING PULLEY- 56 GROOVE	1
2	56405	TENSIONER BLOCK	2
3	56614	IDLER ASM	1
4	56651	ENDLESS BELT - TILT CONVEYOR	1
5	58006	CROSS BRACKET - ELEC PANEL	REF
6	58015	CYLINDER END BLOCK	1
7	58018	AIR CYLINDER	1
8	58551	TRANSITION CONVEYOR MNT BKT	2
9	58553	TRANSITION CONVEYOR BRACKET	1
10	58582	CONVEYOR EXTENSION ASSEMBLY	1
11	58583	CONVEYOR EXTENSION MOUNTING BAR	1
12	58589	TRANSITION GUIDE	2
13	56606-1	WELDMENT - TILT FRAME	1
14	56613-2	DRIVE ASM	1
15	58557-0250	POLYETHYLENE TAPE - .0325 X 2	1
16	7954-1	TIMING BELT - 210XL037	1
17	A-10257-13	FLANGE BEARING	2
18	E-1600-163	GEAR MOTOR	1
19	E-2181-4	CAPACITOR	1
20	E-2626-3	TERMINAL STRIP (3P)	1
21	EE-3542	CABLE ASSEMBLY - TRANSITION MOTOR "TR"	1
22	H-5254-412	SCREW - 1/4 X 1-1/2 SHSS	1
23	H-5254-604	SCREW - 3/8 X 1/2 SHSS	2
24	H-5254-618	SCREW - 3/8 X 2-1/4 SHSS	1
25	H-6910-102404	SCREW - #10-24 X 1/2 BUTTON HEAD CAP	10
26	H-6913-102408	SCREW - #10-24 X 1 HEX HEAD CAP	2
27	H-6918-403	SCREW - 1/4-20 X 3/8 SOCKET HEAD CAP	4
28	H-6918-44003	SCREW - #4-40 X 3/8 SOCKET HEAD CAP	1
29	H-6918-63206	SCREW - #6-32 X 3/4 SOCKET HEAD CAP	2
30	H-6918-102403	SCREW - #10-24 X 3/8 SOCKET HEAD CAP	1
31	H-6938-102404	SCREW - #10-24 X 1/4 CUP SOC SET	2
32	H-6990-103204	SCREW - #10-32 X 1/2 HEX HEAD CAP	4
33	H-7321-5	WASHER - 5/16 SAE PLAIN	4
34	H-7321-#10	WASHER - #10 SAE PLAIN	10
35	H-7324-8	WASHER - 1/4 INT TOOTH	4
36	H-7324-#4	WASHER - #4 INT TOOTH	1
37	H-7324-#10	WASHER - #10 INT TOOTH	11
38	H-7327-#10	WASHER - #10 MEDIUM LOCK	4
39	P-304	FLOW CONTROL ELBOW-1/4 TUBE X 1/8 NPT	2
40	S-1781-42	LABEL - GROUND	1

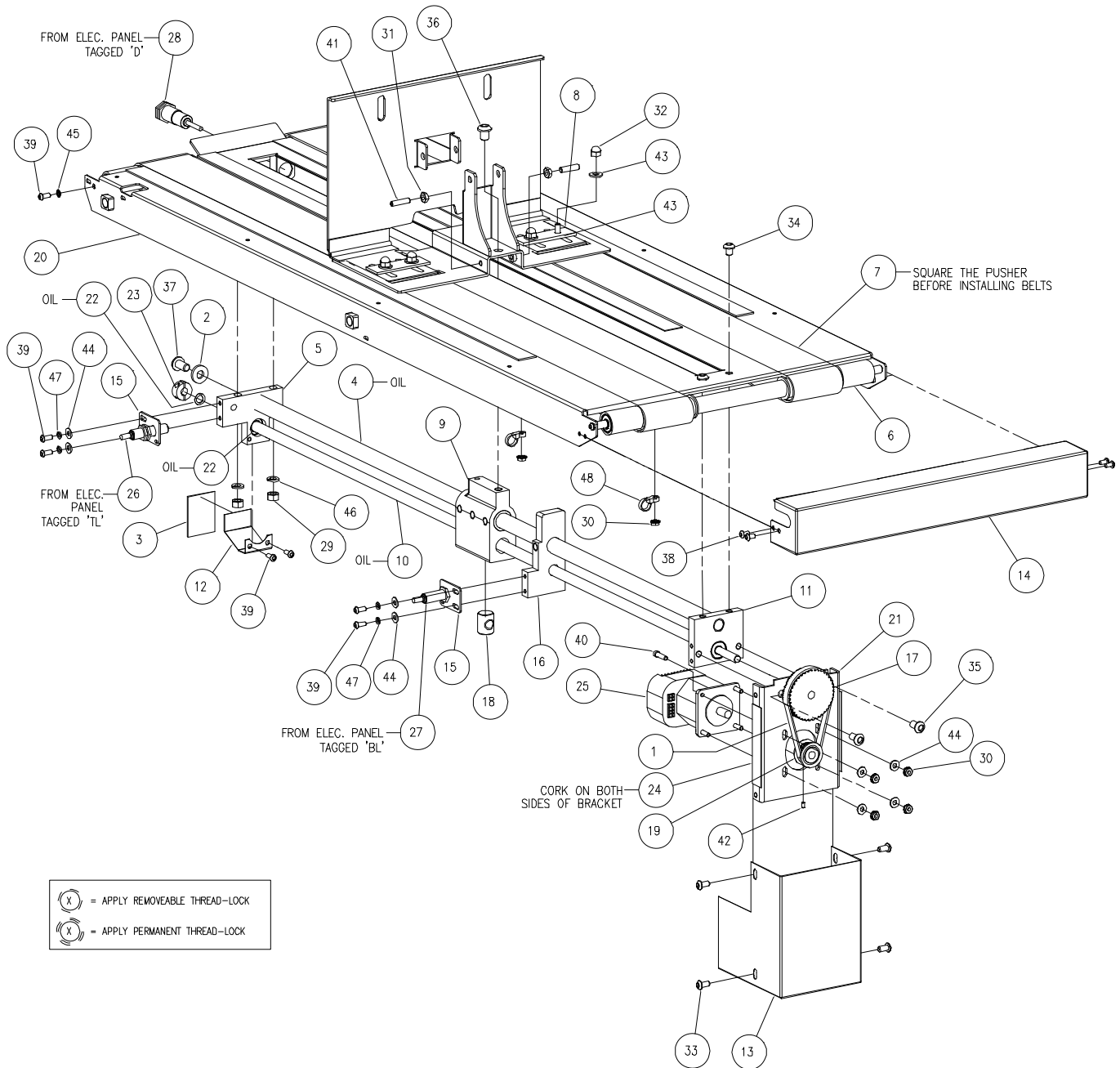
8.5 Main Assembly – 130 Model, 58500TCA (5/9) – Pusher



---

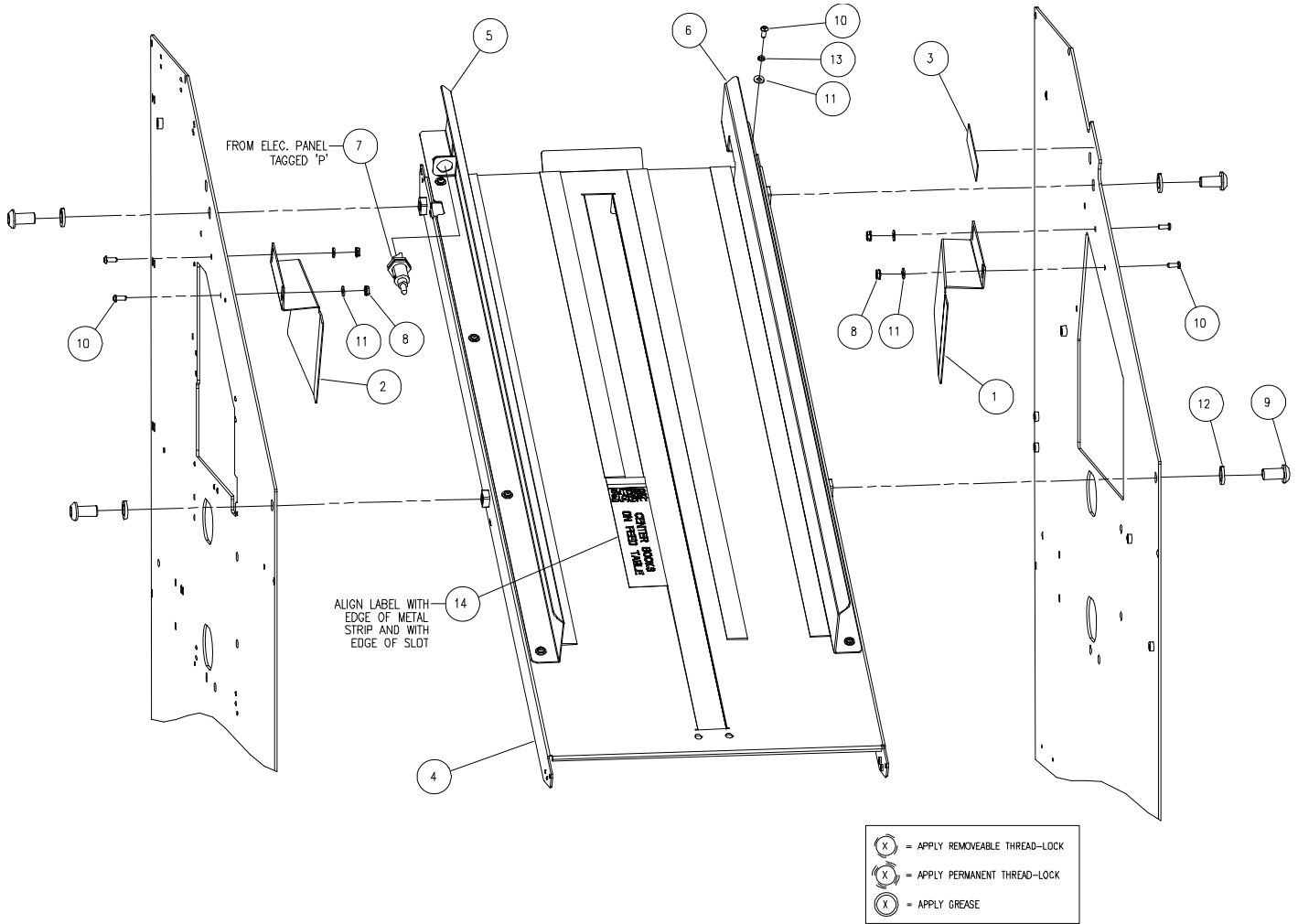
ITEM	PART NO.	DESCRIPTION	QTY
1	56959	NYLON LOOP PAD	2
2	58511	WELDMENT - ADJUSTABLE BOOK TILT	1
3	58565	BACKER BOARD	1
4	58593	LINK - TILT ADJUST	1
5	58594	BLOCK - TILT ADJUST	1
6	58595	THREADED ROD - TILT ADJUST	1
7	63047	HAND WHEEL - 4 INCH	1
8	11288-39	WASHER/SPACER	2
9	47214-2	SHOULDER WASHER	2
10	47264-700	POLYETHYLENE TAPE - .010 X 3/8 WIDE	2
11	A-10257-13	FLANGE BEARING	2
12	H-5247-6	NUT - 3/8-16 FLEX LOCK	1
13	H-5254-502	SCREW - 5/16 X 1/4 SHSS	4
14	H-6442-4	NUT - 1/4-20 NYLOC	2
15	H-6442-#10	NUT - #10-24 NYLOC	2
16	H-6909-406	SCREW - 1/4-20 X 3/4" FLAT HEAD CAP	2
17	H-6909-102408	SCREW - #10-24 X 1" FLAT HEAD CAP	2
18	H-6938-406	SCREW - 1/4-20 X 3/8 CUP SOC SET	1
19	S-1818-4	THREADED COLLAR	1
20	S-1925-2	SPRING WASHER	4

8.6 Main Assembly – 130 Model, 58500TCA (6/9) – Feed Table



ITEM	PART NO.	DESCRIPTION	QTY
1	6457	TIMING BELT - 120XL037	1
2	8815	WASHER - 3/8 HEAVY	1
3	56959	NYLON LOOP PAD	1
4	58508	GUIDE ROD	1
5	58509	PILLOW BLOCK ASSEMBLY	1
6	58514	PULLEY ASSEMBLY	2
7	58516	BELT	2
8	58517	BELT CLAMP	2
9	58518	PUSHER CARRIAGE ASM	1
10	58519	LEADSCREW- PUSHER	1
11	58521	REAR PILLOW BLOCK ASM.	1
12	58526	PILLOW BLOCK GUARD	1
13	58532	PULLEY COVER	1
14	58536	END COVER	1
15	58538	PROX. BRACKET	2
16	58569	MOVEABLE PROXIMITY BLOCK ASSEMBLY	1
17	63207	TIMING PULLEY- 40 GROOVE, XL	1
18	63216	LEADSCREW NUT	1
19	56066-4	TIMING PULLEY - 15 GROOVE XL	1
20	58506-1	TABLE	1
21	58522-1	MOTOR BRACKET	1
22	61065-375030	SHLD SCR SHORTENING SHIM- 3/8	2
23	A-10081-4	COLLAR - CLAMP	1
24	A-7545	CORK STRIP- 4"	2
25	EE-3509-1	MOTOR - SHORT	1
26	EE-3533-2	PROX. ASM. - TOP LIMIT "TL"	REF
27	EE-3533-3	PROX. ASM. - LOAD LIMIT "BL"	REF
28	EE-3541-7	PHOTO SW. ASM. - BOOK ON TRANSITION - "D"	REF
29	H-6417-5	NUT - 5/16-18 HEX	2
30	H-6423-#10	NUT - #10-24 HEX KEP	7
31	H-6424-4	NUT - 1/4-20 HEX JAM	2
32	H-6431-4	NUT - 1/4-20 ACORN CAP	4
33	H-6910-404	SCREW - 1/4-20 X 1/2 BUTTON HEAD CAP	4
34	H-6910-503	SCREW - 5/16-18 X 3/8 BUTTON HEAD CAP	2
35	H-6910-505	SCREW - 5/16-18 X 5/8 BUTTON HEAD CAP	2
36	H-6910-604	SCREW - 3/8-16 X 1/2 BUTTON HEAD CAP	1
37	H-6910-606	SCREW - 3/8-16 X 3/4 BUTTON HEAD CAP	1
38	H-6910-102403	SCREW - #10-24 X 3/8 BUTTON HEAD CAP	6
39	H-6910-102404	SCREW - #10-24 X 1/2 BUTTON HEAD CAP	8
40	H-6918-102406	SCREW - #10-24 X 3/4 SOCKET HEAD CAP	4
41	H-6938-416	SCREW - 1/4-20 X 1 CUP SOC SET	2
42	H-6938-63204	SCREW - #6-32 X 1/4 CUP SOC SET	2
43	H-7321-4	WASHER - 1/4 SAE PLAIN	8
44	H-7321-#10	WASHER - #10 SAE PLAIN	8
45	H-7324-#10	WASHER - #10 INT TOOTH	4
46	H-7327-10	WASHER - 5/16 MEDIUM LOCK	2
47	H-7327-#10	WASHER - #10 MEDIUM LOCK	4
48	S-1694-2	TYRAP - #10	3

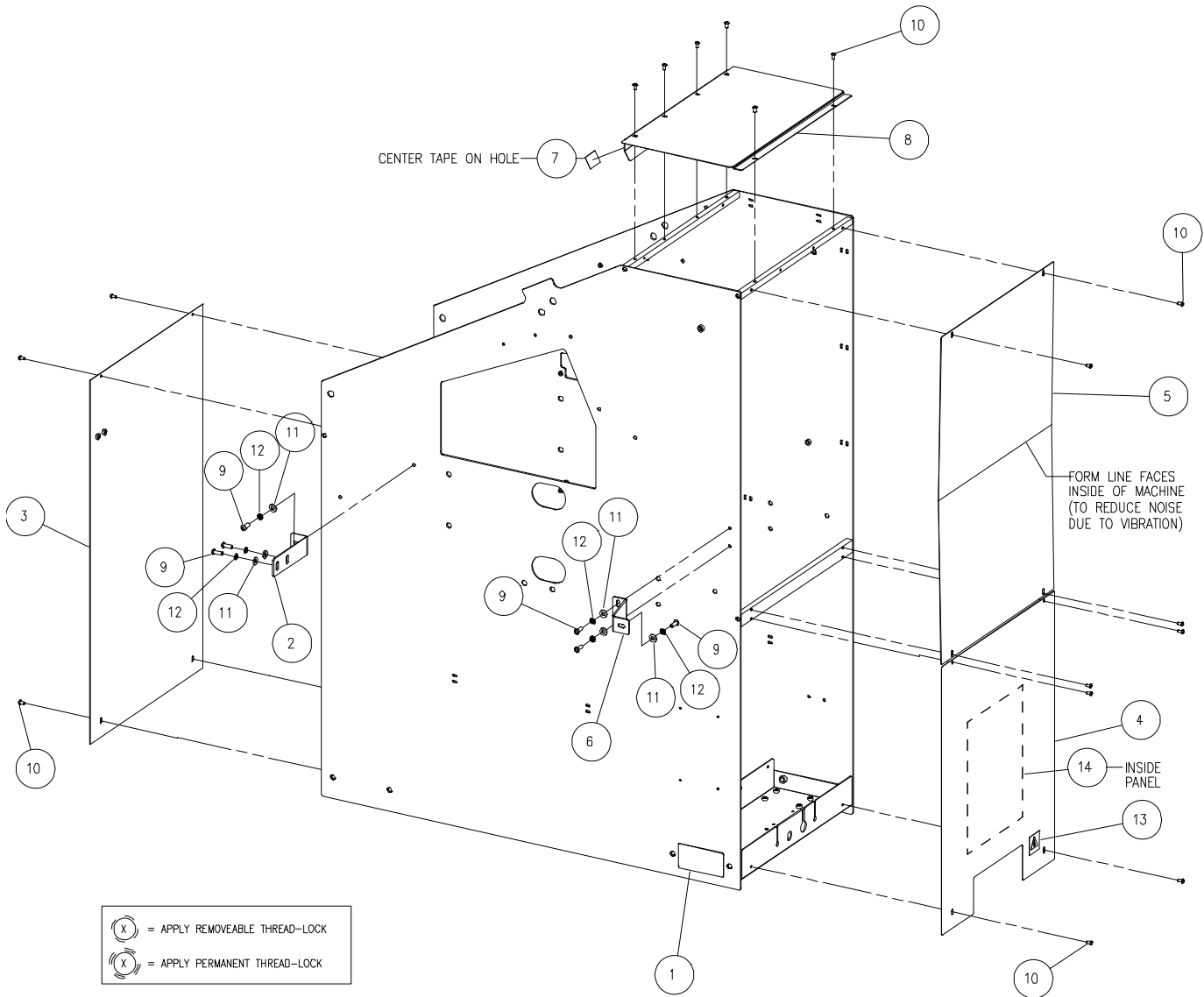
8.7 Main Assembly – 130 Model, 58500TCA (7/9) – Table Guides



---

ITEM	PART NO.	DESCRIPTION	QTY
1	58590	FIXED GUIDE - RH	1
2	58591	FIXED GUIDE - LH	1
3	56180_X_3INCHES	REFLECTIVE TAPE - 1" WIDE X 3" LONG	1
4	58506-1	TABLE	1
5	58592-1	BOOK GUIDE - TABLE, LH	1
6	58592-2	BOOK GUIDE - TABLE, RH	1
7	EE-3541-6	PHOTO-SENSOR ASM. - BOOK AT DROP POS. "P"	REF
8	H-6423-#10	NUT - #10-24 HEX KEP	4
9	H-6910-808	SCREW - 1/2-13 X 1 BUTTON HEAD CAP	4
10	H-6910-102404	SCREW - #10-24 X 1/2 BUTTON HEAD CAP	12
11	H-7321-#10	WASHER - #10 SAE PLAIN	12
12	H-7327-16	WASHER - 1/2 MEDIUM LOCK	4
13	H-7327-#10	WASHER - #10 MEDIUM LOCK	8
14	S-1781-185	INFORMATION LABEL- CMT INFEED	1

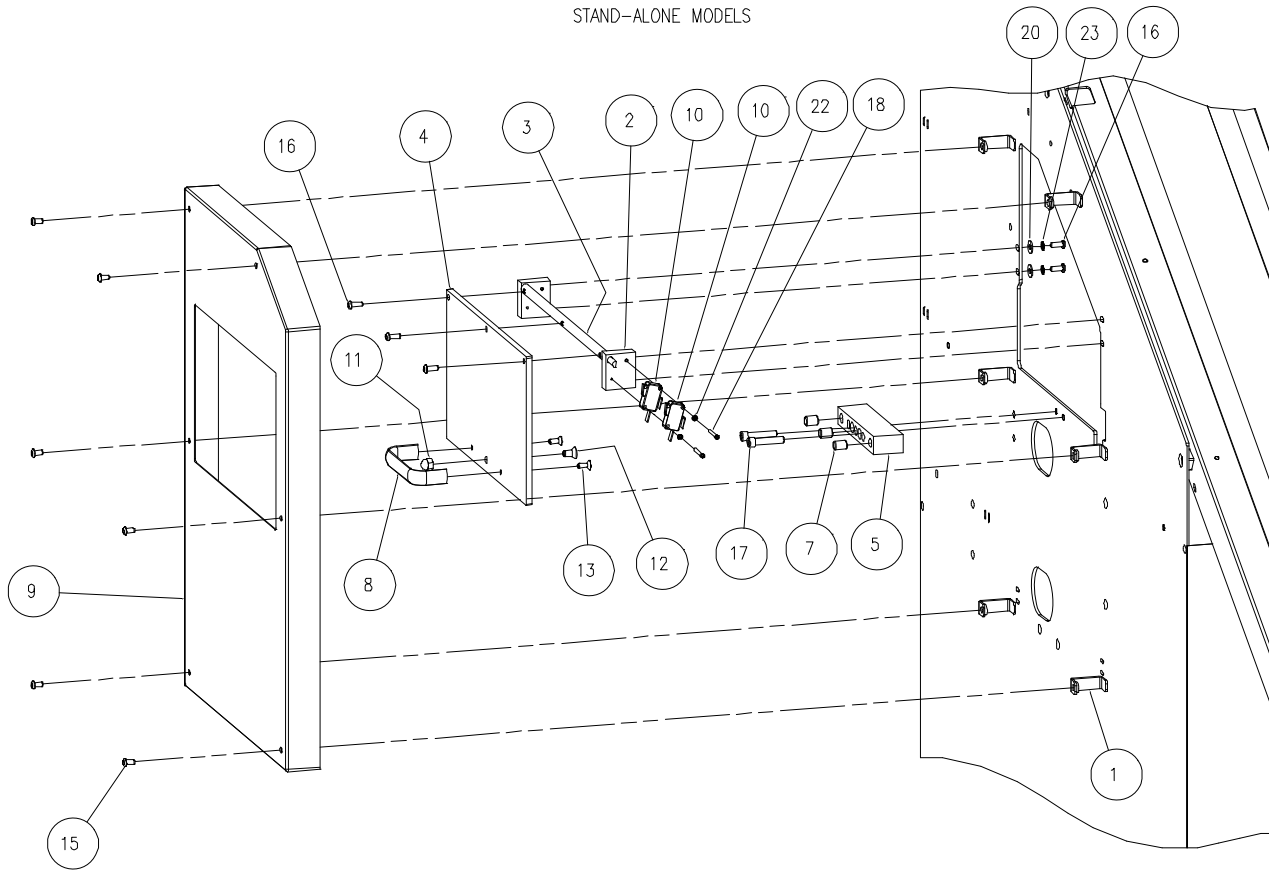
8.8 Main Assembly – 130 Model, 58500TCA (8/9) – Covers



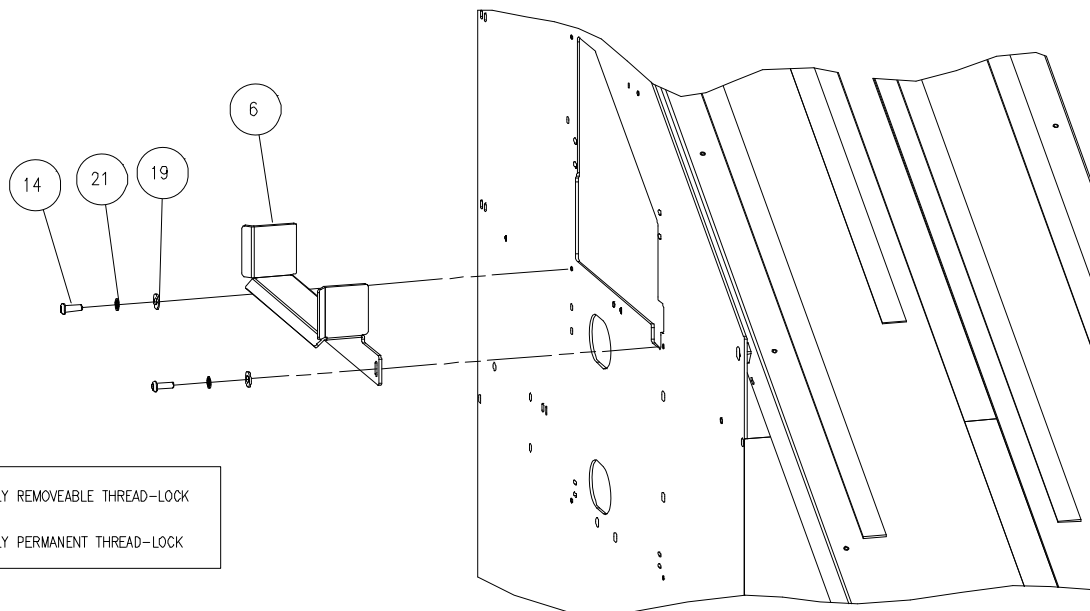
<b>ITEM</b>	<b>PART NO.</b>	<b>DESCRIPTION</b>	<b>QTY</b>
1	41130	PLATE - SERIAL NUMBER	1
2	56080	CMT ACCESSORY MOUNTING BRACKET	1
3	58541	FRONT COVER	1
4	58544	POWER PANEL COVER	1
5	58562	REAR COVER	1
6	58598	PILE FEEDER MOUNTING BRACKET	1
7	56180_X_1PT5INCHES	REFLECTIVE TAPE - 1" WIDE X 1-1/2" LONG	1
8	58560-1	TOP COVER	1
9	H-6910-406	SCREW - 1/4-20 X 3/4 BUTTON HEAD CAP	6
10	H-6910-102403	SCREW - #10-24 X 3/8 BUTTON HEAD CAP	18
11	H-7321-4	WASHER - 1/4 SAE PLAIN	6
12	H-7324-8	WASHER - 1/4 INT TOOTH	6
13	S-1781-50	LABEL - ELECTRIC SHOCK	1
14	S-1781-226	LABEL- POWER CONNECTION PROCEDURE	1



8.9 Main Assembly – 130 Model, 58500TCA (9/9) – Side Input Config's

STAND-ALONE MODELS



INLINE MODELS

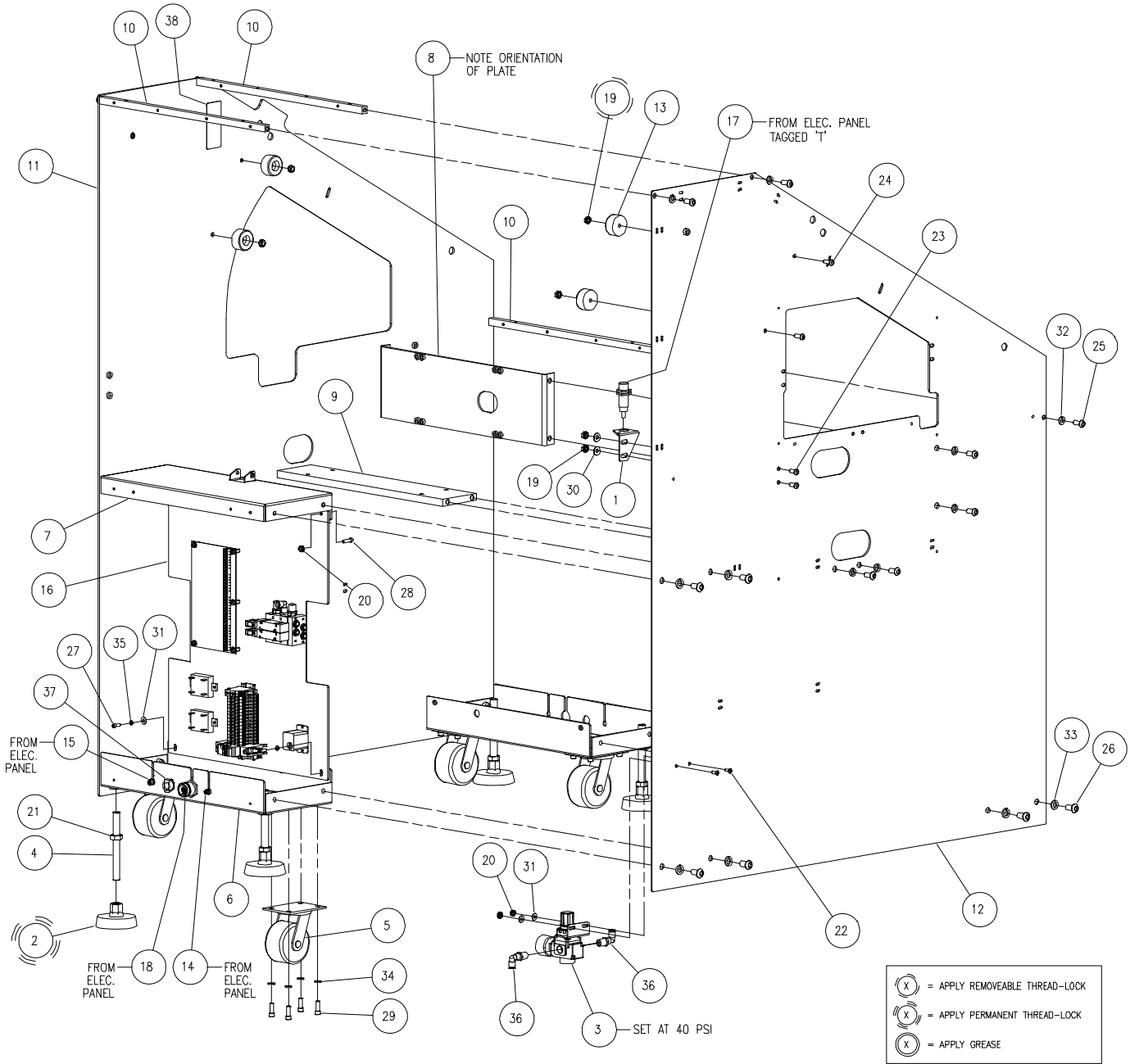


-  = APPLY REMOVEABLE THREAD-LOCK
-  = APPLY PERMANENT THREAD-LOCK

---

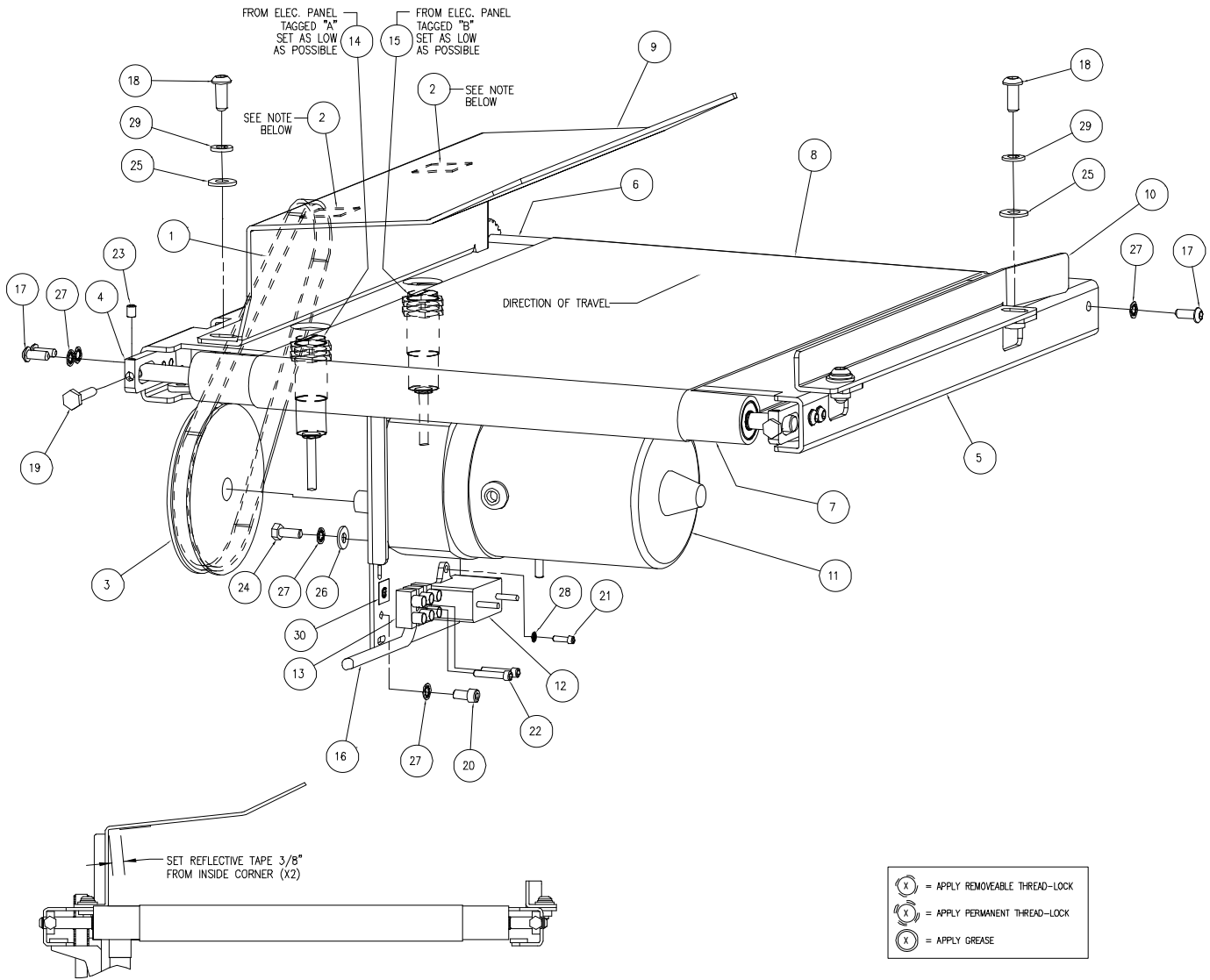
ITEM	PART NO.	DESCRIPTION	QTY
1	58537	STANDOFF- SHEET METAL	6
2	58570	HINGE BLOCK	2
3	58571	HINGE ROD	1
4	58572	DOOR	1
5	58573	MAGNET KEEPER BLOCK	1
6	58596	BRIDGE - ELEVATOR/FEEDER	1
7	60053	MAGNET - RARE EARTH	3
8	13940-1	HANDLE	1
9	58549-1	SIDE COVER	1
10	E-866-9	POSITIVE ACTION MICROSWITCH	2
11	H-6431-4	NUT - 1/4-20 ACORN CAP	1
12	H-6909-404	SCREW - 1/4-20 X 1/2" FLAT HEAD CAP	1
13	H-6909-102404	SCREW - #10-24 X 1/2" FLAT HEAD CAP	2
14	H-6910-406	SCREW - 1/4-20 X 3/4 BUTTON HEAD CAP	2
15	H-6910-102403	SCREW - #10-24 X 3/8 BUTTON HEAD CAP	6
16	H-6910-102404	SCREW - #10-24 X 1/2 BUTTON HEAD CAP	7
17	H-6918-410	SCREW - 1/4-20 X 1-1/4 SOCKET HEAD CAP	2
18	H-6918-44008	SCREW - #4-40 X 1 SOCKET HEAD CAP	2
19	H-7321-4	WASHER - 1/4 SAE PLAIN	2
20	H-7321-#10	WASHER - #10 SAE PLAIN	4
21	H-7324-8	WASHER - 1/4 INT TOOTH	2
22	H-7324-#4	WASHER - #4 INT TOOTH	2
23	H-7324-#10	WASHER - #10 INT TOOTH	4

8.10 Main Assembly – 330 Model, 58600TCA (1/9) – Side Frames



ITEM	PART NO.	DESCRIPTION	QTY
1	47171-1	BRACKET - CLAMP PROX	1
2	51036	FOOT	4
3	56025-1	REGULATOR W/ GAUGE AND BRACKET	1
4	56456	THREADED ROD	4
5	56805	CASTER	4
6	58004-1	LOWER CROSS BRACKET	2
7	58006-1	CROSS BRACKET - ELEC PANEL	1
8	58503	HINGE MOUNTING BRACKET	1
9	58504	BEARING BLOCK SUPPORT	1
10	58539	TIE BAR	3
11	58601	SIDE FRAME- RH	1
12	58602	SIDE FRAME- LH	1
13	A-11074-2	FOOT - RUBBER	4
14	EE-3460-3	PLUG ASM. - MALE, 'CAN'	REF
15	EE-3460-4	PLUG ASM. - FEMALE, 'CAN'	REF
16	EE-3515	ELECTRICAL PANEL ASSEMBLY	1
17	EE-3533-4	PROX. ASM.- TILT CONVEYOR DOWN "T"	REF
18	EE-3550	PLUG ASM. - MALE, INCOMING POWER	REF
19	H-6423-4	NUT - 1/4-20 HEX KEP	6
20	H-6423-#10	NUT - #10-24 HEX KEP	4
21	H-6424-8	NUT - 1/2-13 HEX JAM	4
22	H-6910-102404	SCREW - #10-24 X 1/2 BUTTON HEAD CAP	2
23	H-6910-405	SCREW - 1/4-20 X 5/8 BUTTON HEAD CAP	2
24	H-6910-406	SCREW - 1/4-20 X 3/4 BUTTON HEAD CAP	4
25	H-6910-506	SCREW - 5/16-18 X 3/4 BUTTON HEAD CAP	16
26	H-6910-606	SCREW - 3/8-16 X 3/4 BUTTON HEAD CAP	10
27	H-6918-102404	SCREW - #10-24 X 1/2 SOCKET HEAD CAP	2
28	H-6918-102406	SCREW - #10-24 X 3/4 SOCKET HEAD CAP	2
29	H-6918-406	SCREW - 1/4-20 X 3/4 SOCKET HEAD CAP	16
30	H-7321-4	WASHER - 1/4 SAE PLAIN	2
31	H-7321-#10	WASHER - #10 SAE PLAIN	4
32	H-7327-10	WASHER - 5/16 MEDIUM LOCK	16
33	H-7327-12	WASHER - 3/8 MEDIUM LOCK	10
34	H-7327-8	WASHER - 1/4 MEDIUM LOCK	16
35	H-7327-#10	WASHER - #10 MEDIUM LOCK	2
36	P-503-402	ELBOW-1/4 TUBE X 1/4 NPT	2
37	P-515	PUSH-IN CONNECTOR (1/4 FEM PASS-THRU)	1
38	S-1781-15	LABEL - MOVING PARTS HAZARD	1

8.11 Main Assembly – 330 Model, 58600TCA (2/9) – Tilt Conveyor



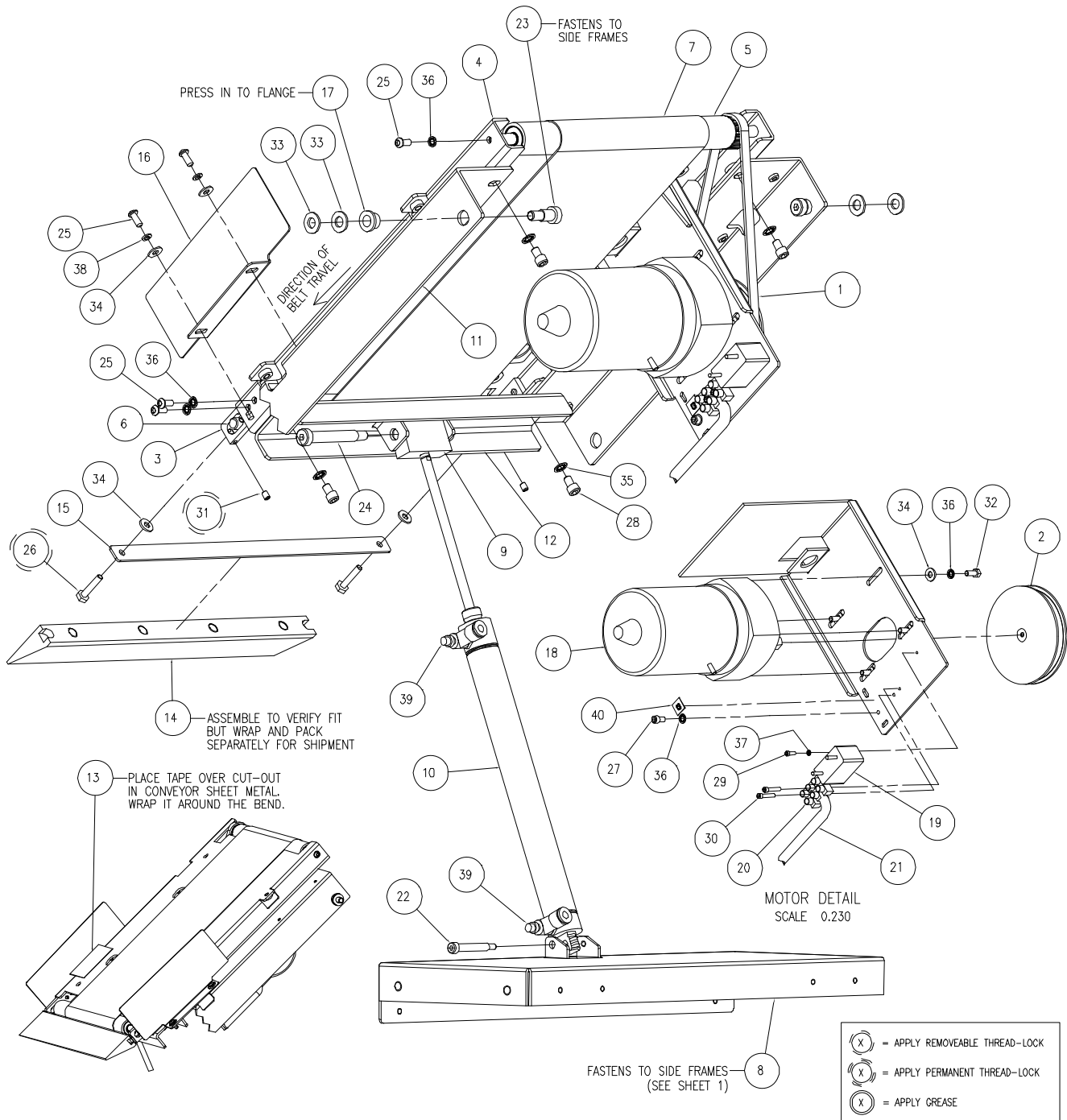
ITEM	PART NO.	DESCRIPTION	QTY
1	7909	TIMING BELT - 220XL037	1
2	56180_X_1INCH_LONG	REFLECTIVE TAPE - 1" WIDE X 1" LONG	2
3	56346	TIMING PULLEY- 56 GROOVE	1
4	56405	TENSIONER BLOCK	2
5	56606-2	WELDMENT - TILT FRAME	1
6	56613-1	DRIVE ASM	1
7	56614-1	IDLER ASM	1
8	56651-1	CONVEYOR BELT - TILT CONVEYOR	1
9	58505	BOOK STOP	1
10	58597	GUIDE BRACKET	1
11	E-1600-163	GEAR MOTOR	1
12	E-2181-4	CAPACITOR	1
13	E-2626-3	TERMINAL STRIP (3P)	1
14	EE-3541-8	PROX. ASM. - BOOK ON TILT - "A"	REF
15	EE-3541-9	PROX. ASM. - BOOK ON TILT - "B"	REF
16	EE-3542-1	CABLE ASSEMBLY - TILT MOTOR "T"	1
17	H-6910-102404	SCREW - #10-24 X 1/2 BUTTON HEAD CAP	6
18	H-6910-405	SCREW - 1/4-20 X 5/8 BUTTON HEAD CAP	4
19	H-6913-102408	SCREW - #10-24 X 1 HEX HEAD CAP	2
20	H-6918-102403	SCREW - #10-24 X 3/8 SOCKET HEAD CAP	1
21	H-6918-44003	SCREW - #4-40 X 3/8 SOCKET HEAD CAP	1
22	H-6918-63206	SCREW - #6-32 X 3/4 SOCKET HEAD CAP	2
23	H-6938-102404	SCREW - #10-24 X 1/4 CUP SOC SET	2
24	H-6990-103204	SCREW - #10-32 X 1/2 HEX HEAD CAP	4
25	H-7321-4	WASHER - 1/4 SAE PLAIN	4
26	H-7321-#10	WASHER - #10 SAE PLAIN	4
27	H-7324-#10	WASHER - #10 INT TOOTH	11
28	H-7324-#4	WASHER - #4 INT TOOTH	1
29	H-7327-8	WASHER - 1/4 MEDIUM LOCK	4
30	S-1781-42	LABEL - GROUND	1



---

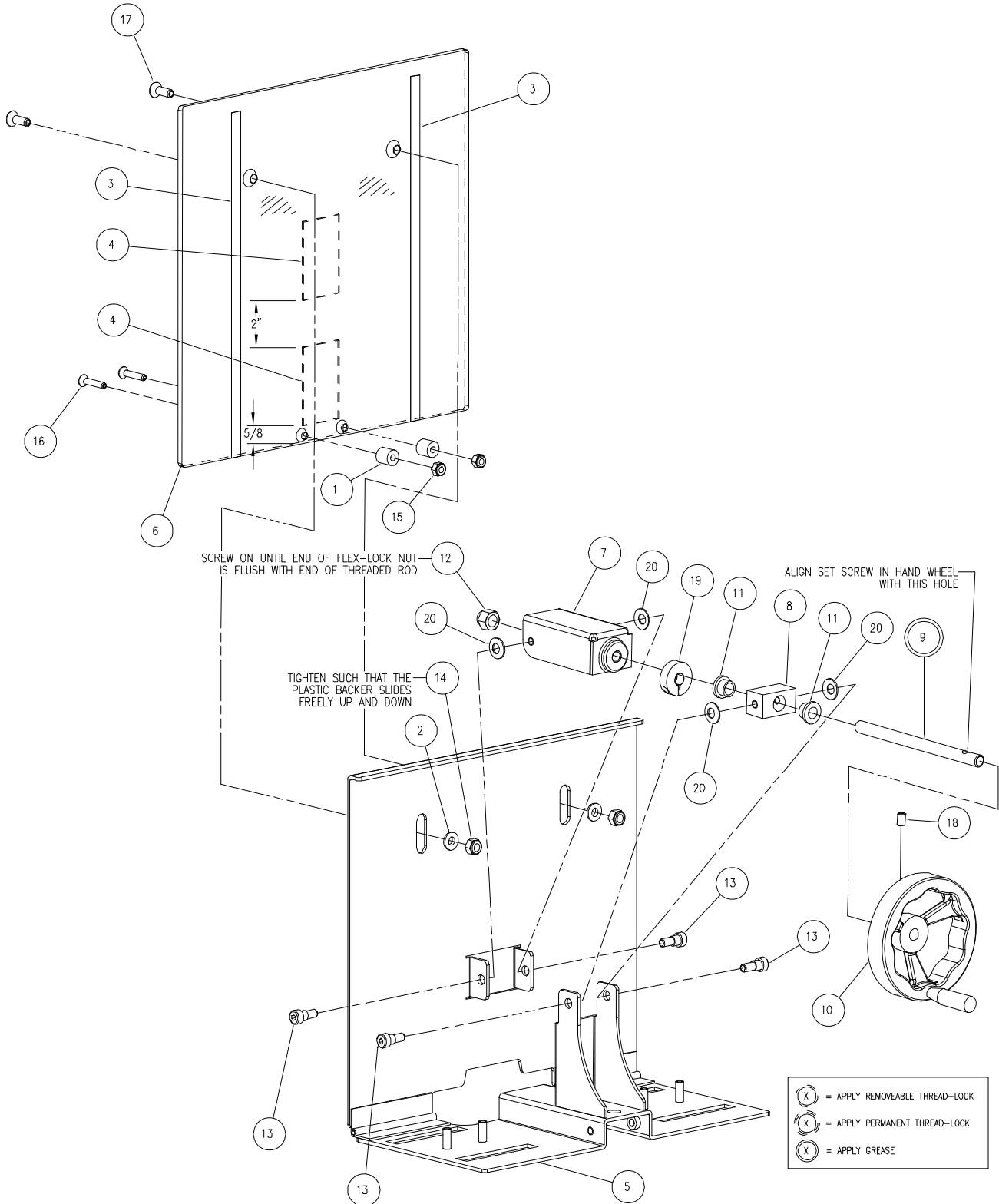
ITEM	PART NO.	DESCRIPTION	QTY
1	11288-5	WASHER/SPACER	4
2	56604-1	TILT CROSS BAR ASSEMBLY	2
3	56605	TILT HINGE ROD	1
4	56612	HINGE ASSEMBLY	2
5	56618	BEARING BLOCK ASM. - RH	1
6	56618-1	BEARING BLOCK ASM. - LH	1
7	56620	LINK ASM	2
8	56621-1	LOWER LINK	2
9	56622	AXLE	2
10	56623	PUSH ROD	1
11	56633	LOWER CYLINDER MOUNT ROD	1
12	56634-2	AIR CYLINDER	2
13	58503	HINGE MOUNTING BRACKET	REF
14	58504	BEARING BLOCK SUPPORT	REF
15	H-6910-102404	SCREW - #10-24 X 1/2 BUTTON HEAD CAP	5
16	H-6910-404	SCREW - 1/4-20 X 1/2 BUTTON HEAD CAP	4
17	H-6918-408	SCREW - 1/4-20 X 1 SOCKET HEAD CAP	4
18	H-6918-410	SCREW - 1/4-20 X 1-1/4 SOCKET HEAD CAP	12
19	H-6938-102408	SCREW - #10-24 X 1/2 CUP SOC SET	2
20	H-7324-8	WASHER - 1/4 INT TOOTH	12
21	H-7324-#10	WASHER - #10 INT TOOTH	5
22	H-7327-8	WASHER - 1/4 MEDIUM LOCK	8
23	P-503-401	ELBOW-1/4 TUBE X 1/8 NPT	2
24	P-509-401	DOUBLE UNIVERSAL ELBOW 1/4 TUBE X 1/8 NPT	2
25	S-1193-25	E-RING - 1/4"	4
26	S-1193-37	E-RING - 3/8"	2

### 8.13 Main Assembly – 330 Model, 58600TCA (4/9) – Transition Conveyor



ITEM	PART NO.	DESCRIPTION	QTY
1	7954-1	TIMING BELT - 210XL037	1
2	56346	TIMING PULLEY- 56 GROOVE	1
3	56405	TENSIONER BLOCK	2
4	56606-1	WELDMENT - TILT FRAME	1
5	56613-2	DRIVE ASM	1
6	56614	IDLER ASM	1
7	56651	ENDLESS BELT - TILT CONVEYOR	1
8	58006-1	CROSS BRACKET - ELEC PANEL	REF
9	58015	CYLINDER END BLOCK	1
10	58018-1	AIR CYLINDER	1
11	58551	TRANSITION CONVEYOR MNT BKT	2
12	58553	TRANSITION CONVEYOR BRACKET	1
13	58557-0250	POLYETHYLENE TAPE - .0325 X 2	1
14	58582	CONVEYOR EXTENSION ASSEMBLY	1
15	58583	CONVEYOR EXTENSION MOUNTING BAR	1
16	58589	TRANSITION GUIDE	2
17	A-10257-13	FLANGE BEARING	2
18	E-1600-163	GEAR MOTOR	1
19	E-2181-4	CAPACITOR	1
20	E-2626-3	TERMINAL STRIP (3P)	1
21	EE-3542	CABLE ASSEMBLY - TRANSITION MOTOR "TR"	1
22	H-5254-412	SCREW - 1/4 X 1-1/2 SHSS	1
23	H-5254-604	SCREW - 3/8 X 1/2 SHSS	2
24	H-5254-618	SCREW - 3/8 X 2-1/4 SHSS	1
25	H-6910-102404	SCREW - #10-24 X 1/2 BUTTON HEAD CAP	10
26	H-6913-102408	SCREW - #10-24 X 1 HEX HEAD CAP	2
27	H-6918-102403	SCREW - #10-24 X 3/8 SOCKET HEAD CAP	1
28	H-6918-403	SCREW - 1/4-20 X 3/8 SOCKET HEAD CAP	4
29	H-6918-44003	SCREW - #4-40 X 3/8 SOCKET HEAD CAP	1
30	H-6918-63206	SCREW - #6-32 X 3/4 SOCKET HEAD CAP	2
31	H-6938-102404	SCREW - #10-24 X 1/4 CUP SOC SET	2
32	H-6990-103204	SCREW - #10-32 X 1/2 HEX HEAD CAP	4
33	H-7321-5	WASHER - 5/16 SAE PLAIN	4
34	H-7321-#10	WASHER - #10 SAE PLAIN	10
35	H-7324-8	WASHER - 1/4 INT TOOTH	4
36	H-7324-#10	WASHER - #10 INT TOOTH	11
37	H-7324-#4	WASHER - #4 INT TOOTH	1
38	H-7327-#10	WASHER - #10 MEDIUM LOCK	4
39	P-304	FLOW CONTROL ELBOW-1/4 TUBE X 1/8 NPT	2
40	S-1781-42	LABEL - GROUND	1

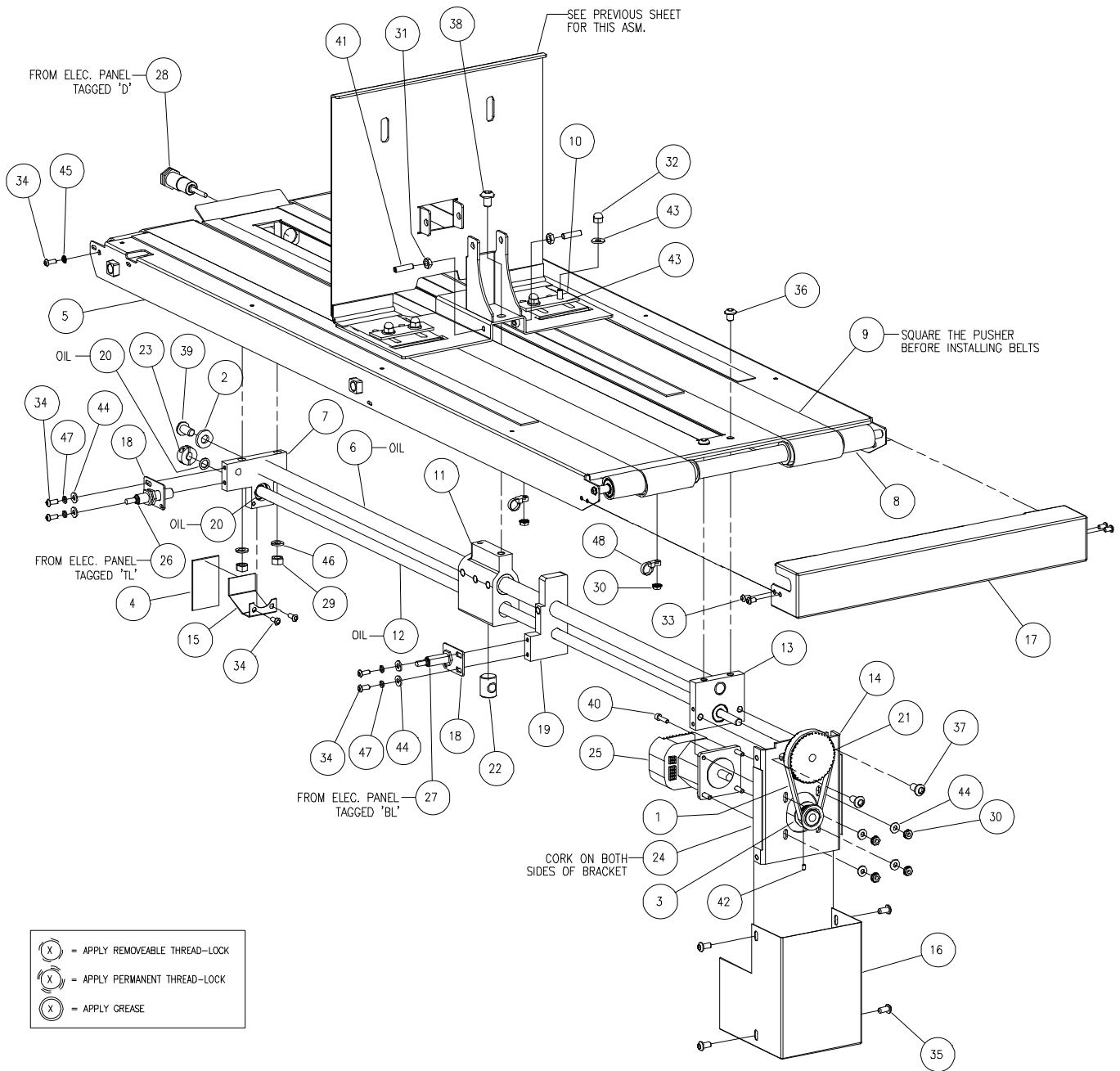
8.14 Main Assembly – 330 Model, 58600TCA (5/9) – Pusher



---

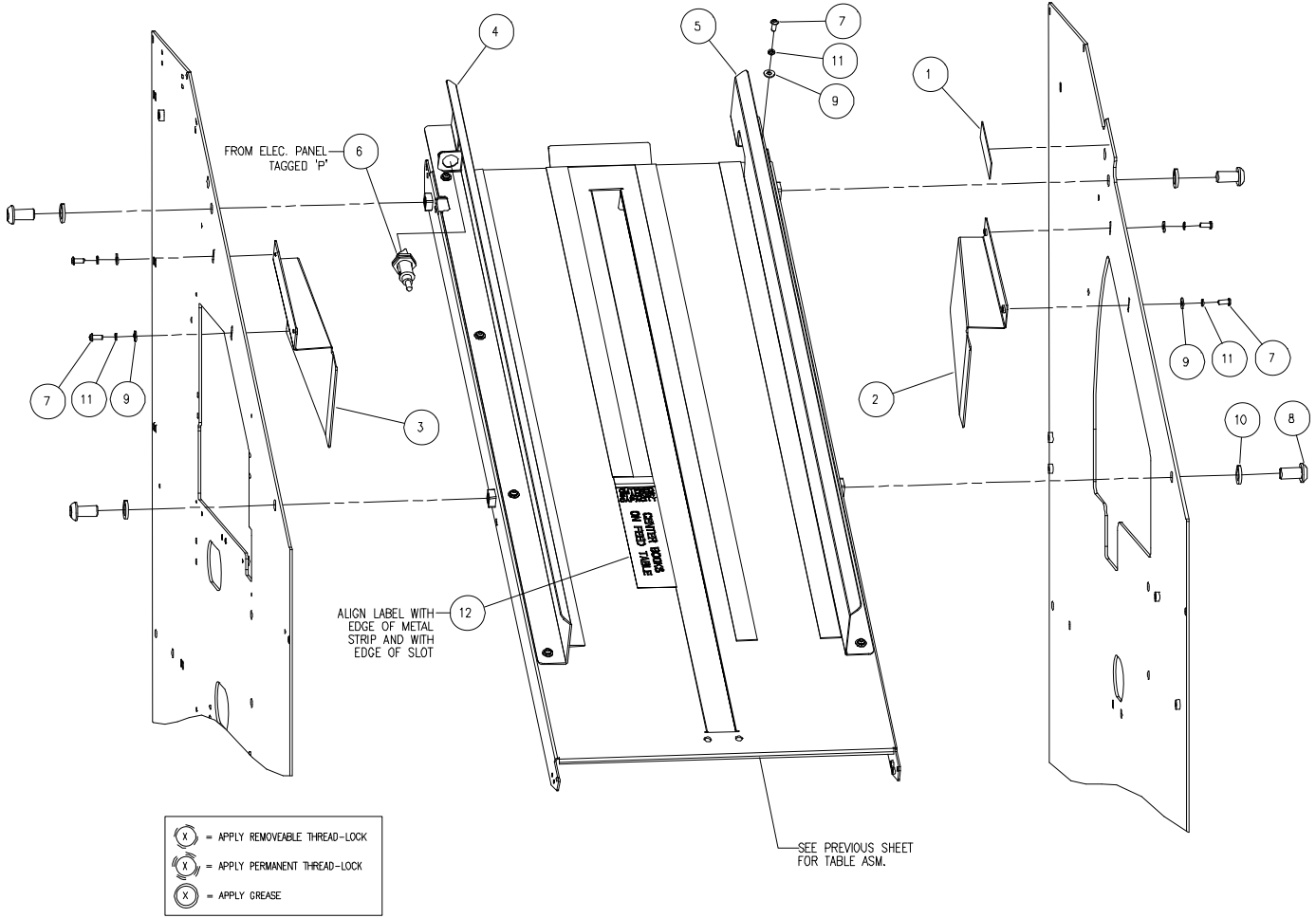
ITEM	PART NO.	DESCRIPTION	QTY
1	11288-39	WASHER/SPACER	2
2	47214-2	SHOULDER WASHER	2
3	47264_X_11INCHES	UHMW TAPE - 3/8" W X 5" LONG	2
4	56959-1	NYLON LOOP PAD	2
5	58511-1	WELDMENT - ADJUSTABLE BOOK TILT	1
6	58565-1	BACKER BOARD	1
7	58593	LINK - TILT ADJUST	1
8	58594	BLOCK - TILT ADJUST	1
9	58595	THREADED ROD - TILT ADJUST	1
10	63047	HAND WHEEL - 4 INCH	1
11	A-10257-13	FLANGE BEARING	2
12	H-5247-6	NUT - 3/8-16 FLEX LOCK	1
13	H-5254-502	SCREW - 5/16 X 1/4 SHSS	4
14	H-6442-4	NUT - 1/4-20 NYLOC	2
15	H-6442-#10	NUT - #10-24 NYLOC	2
16	H-6909-102408	SCREW - #10-24 X 1" FLAT HEAD CAP	2
17	H-6909-406	SCREW - 1/4-20 X 3/4" FLAT HEAD CAP	2
18	H-6938-406	SCREW - 1/4-20 X 3/8 CUP SOC SET	1
19	S-1818-4	THREADED COLLAR	1
20	S-1925-2	SPRING WASHER	4

8.15 Main Assembly – 330 Model, 58600TCA (6/9) – Feed Table



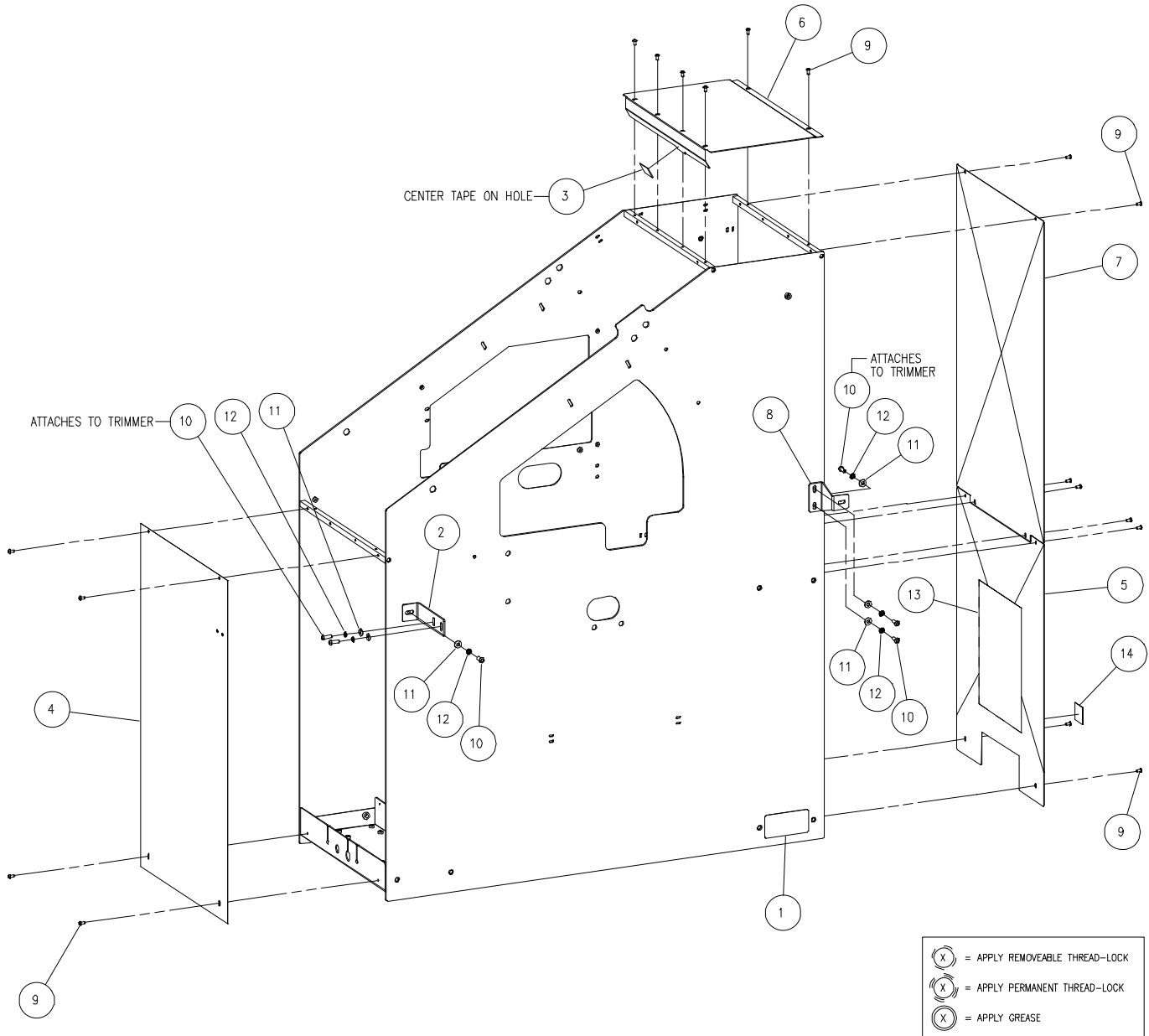
ITEM	PART NO.	DESCRIPTION	QTY
1	6457	TIMING BELT - 120XL037	1
2	8815	WASHER - 3/8 HEAVY	1
3	56066-4	TIMING PULLEY - 15 GROOVE XL	1
4	56959-1	NYLON LOOP PAD	1
5	58506-1	TABLE	1
6	58508	GUIDE ROD	1
7	58509	PILLOW BLOCK ASSEMBLY	1
8	58514	PULLEY ASSEMBLY	2
9	58516	BELT	2
10	58517	BELT CLAMP	2
11	58518	PUSHER CARRIAGE ASM	1
12	58519	LEADSCREW- PUSHER	1
13	58521	REAR PILLOW BLOCK ASM.	1
14	58522-1	MOTOR BRACKET	1
15	58526	PILLOW BLOCK GUARD	1
16	58532	PULLEY COVER	1
17	58536	END COVER	1
18	58538	PROX. BRACKET	2
19	58569	MOVEABLE PROXIMITY BLOCK ASSEMBLY	1
20	61065-375030	SHLD SCR SHORTENING SHIM- 3/8	2
21	63207	TIMING PULLEY- 40 GROOVE, XL	1
22	63216	LEADSCREW NUT	1
23	A-10081-4	COLLAR - CLAMP	1
24	A-7545	CORK STRIP- 4"	2
25	EE-3509-1	MOTOR - SHORT	1
26	EE-3533-2	PROX. ASM. - TOP LIMIT "TL"	REF
27	EE-3533-3	PROX. ASM. - LOAD LIMIT "BL"	REF
28	EE-3541-7	PHOTO SW. ASM. - BOOK ON TRANSITION - "D"	REF
29	H-6417-5	NUT - 5/16-18 HEX	2
30	H-6423-#10	NUT - #10-24 HEX KEP	7
31	H-6424-4	NUT - 1/4-20 HEX JAM	2
32	H-6431-4	NUT - 1/4-20 ACORN CAP	4
33	H-6910-102403	SCREW - #10-24 X 3/8 BUTTON HEAD CAP	6
34	H-6910-102404	SCREW - #10-24 X 1/2 BUTTON HEAD CAP	8
35	H-6910-404	SCREW - 1/4-20 X 1/2 BUTTON HEAD CAP	4
36	H-6910-503	SCREW - 5/16-18 X 3/8 BUTTON HEAD CAP	2
37	H-6910-505	SCREW - 5/16-18 X 5/8 BUTTON HEAD CAP	2
38	H-6910-604	SCREW - 3/8-16 X 1/2 BUTTON HEAD CAP	1
39	H-6910-606	SCREW - 3/8-16 X 3/4 BUTTON HEAD CAP	1
40	H-6918-102406	SCREW - #10-24 X 3/4 SOCKET HEAD CAP	4
41	H-6938-416	SCREW - 1/4-20 X 1 CUP SOC SET	2
42	H-6938-63204	SCREW - #6-32 X 1/4 CUP SOC SET	2
43	H-7321-4	WASHER - 1/4 SAE PLAIN	8
44	H-7321-#10	WASHER - #10 SAE PLAIN	8
45	H-7324-#10	WASHER - #10 INT TOOTH	4
46	H-7327-10	WASHER - 5/16 MEDIUM LOCK	2
47	H-7327-#10	WASHER - #10 MEDIUM LOCK	4
48	S-1694-2	TYRAP - #10	3

8.16 Main Assembly – 330 Model, 58600TCA (7/9) – Table Guides



<b>ITEM</b>	<b>PART NO.</b>	<b>DESCRIPTION</b>	<b>QTY</b>
1	56180_X_3INCHES	REFLECTIVE TAPE - 1" WIDE X 3" LONG	1
2	58590-1	FIXED GUIDE - RH	1
3	58591-1	FIXED GUIDE - LH	1
4	58592-1	BOOK GUIDE - TABLE, LH	1
5	58592-2	BOOK GUIDE - TABLE, RH	1
6	EE-3541-6	PHOTO-SENSOR ASM. - BOOK AT DROP POS. "P"	REF
7	H-6910-102404	SCREW - #10-24 X 1/2 BUTTON HEAD CAP	12
8	H-6910-808	SCREW - 1/2-13 X 1 BUTTON HEAD CAP	4
9	H-7321-#10	WASHER - #10 SAE PLAIN	12
10	H-7327-16	WASHER - 1/2 MEDIUM LOCK	4
11	H-7327-#10	WASHER - #10 MEDIUM LOCK	12
12	S-1781-185	INFORMATION LABEL- CMT INFEED	1

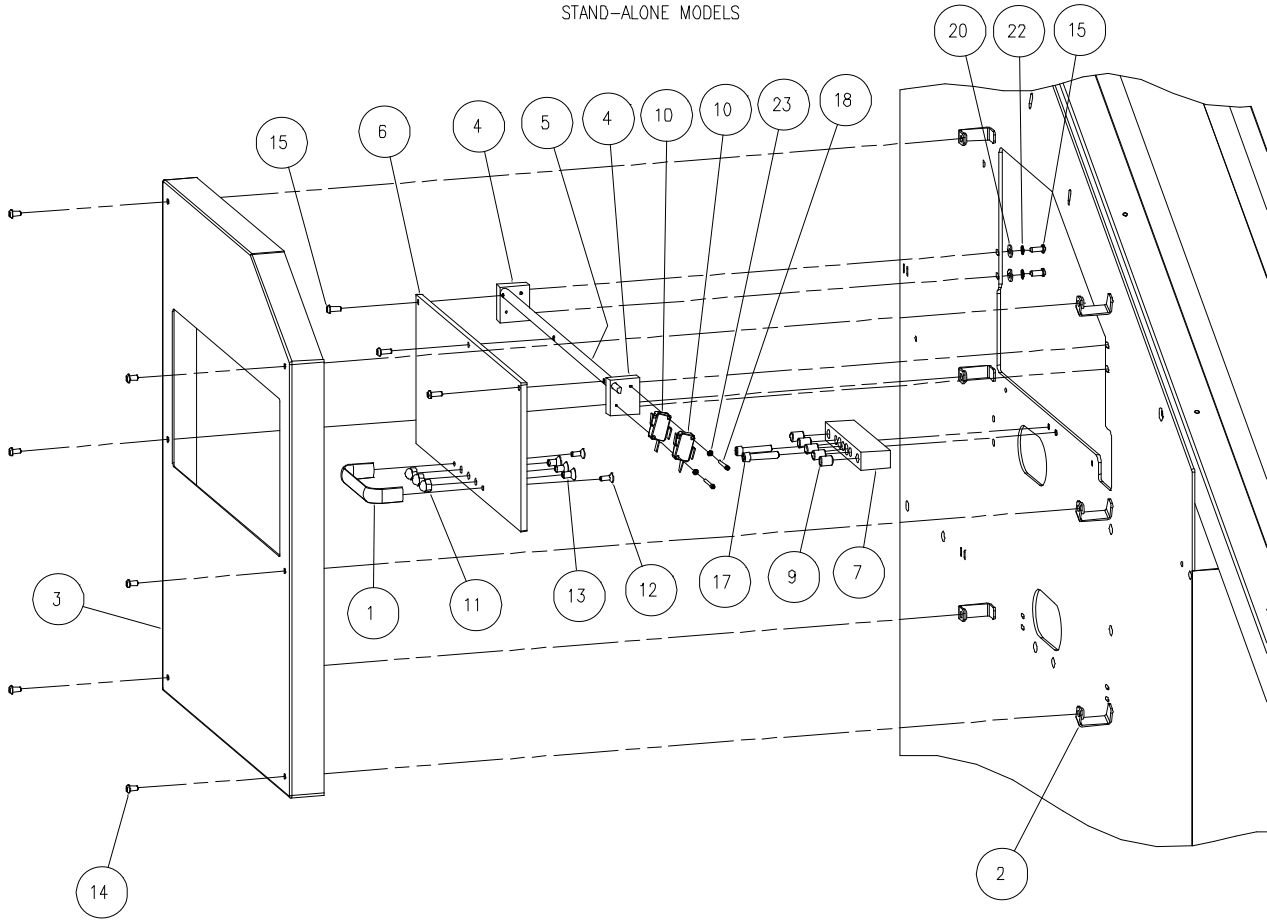
8.17 Main Assembly – 330 Model, 58600TCA (8/9) – Covers



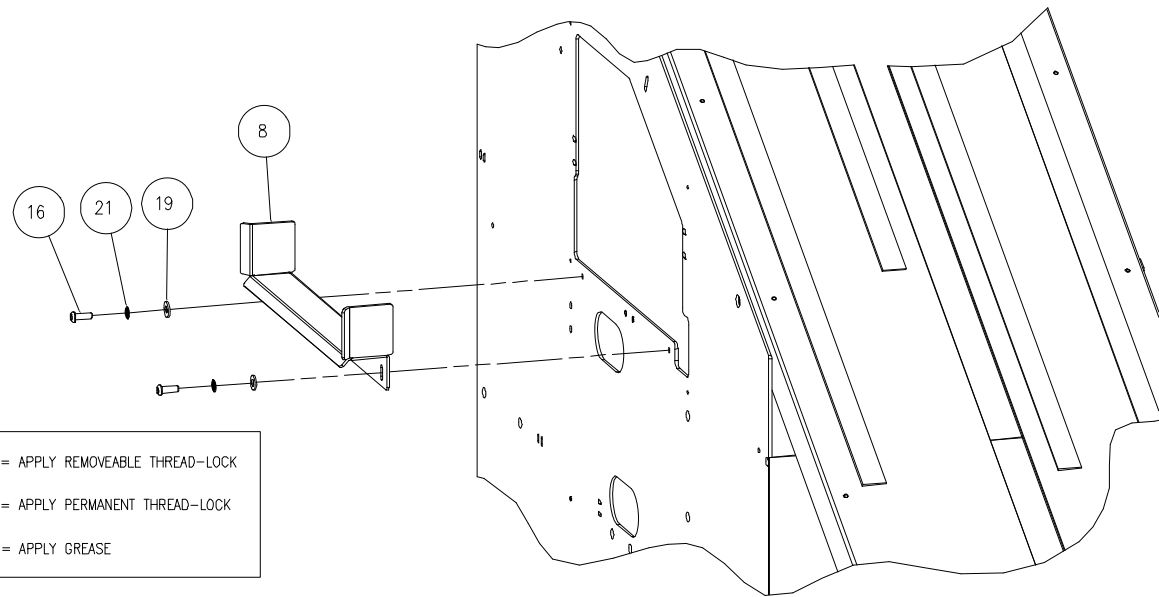
<b>ITEM</b>	<b>PART NO.</b>	<b>DESCRIPTION</b>	<b>QTY</b>
1	41130	PLATE - SERIAL NUMBER	1
2	56080	CMT ACCESSORY MOUNTING BRACKET	1
3	56180_X_1PT5INCHES	REFLECTIVE TAPE - 1" WIDE X 1-1/2" LONG	1
4	58541	FRONT COVER	1
5	58544-1	LOWER REAR COVER	1
6	58560-1	TOP COVER	1
7	58562-1	UPPER REAR COVER	1
8	58598	PILE FEEDER MOUNTING BRACKET	1
9	H-6910-102403	SCREW - #10-24 X 3/8 BUTTON HEAD CAP	18
10	H-6910-406	SCREW - 1/4-20 X 3/4 BUTTON HEAD CAP	6
11	H-7321-4	WASHER - 1/4 SAE PLAIN	6
12	H-7324-8	WASHER - 1/4 INT TOOTH	6
13	S-1781-226	LABEL- POWER CONNECTION PROCEDURE	1
14	S-1781-50	LABEL - ELECTRIC SHOCK	1




8.18 Main Assembly – 330 Model, 58600TCA (9/9) – Side Input Config's

STAND-ALONE MODELS



INLINE MODELS

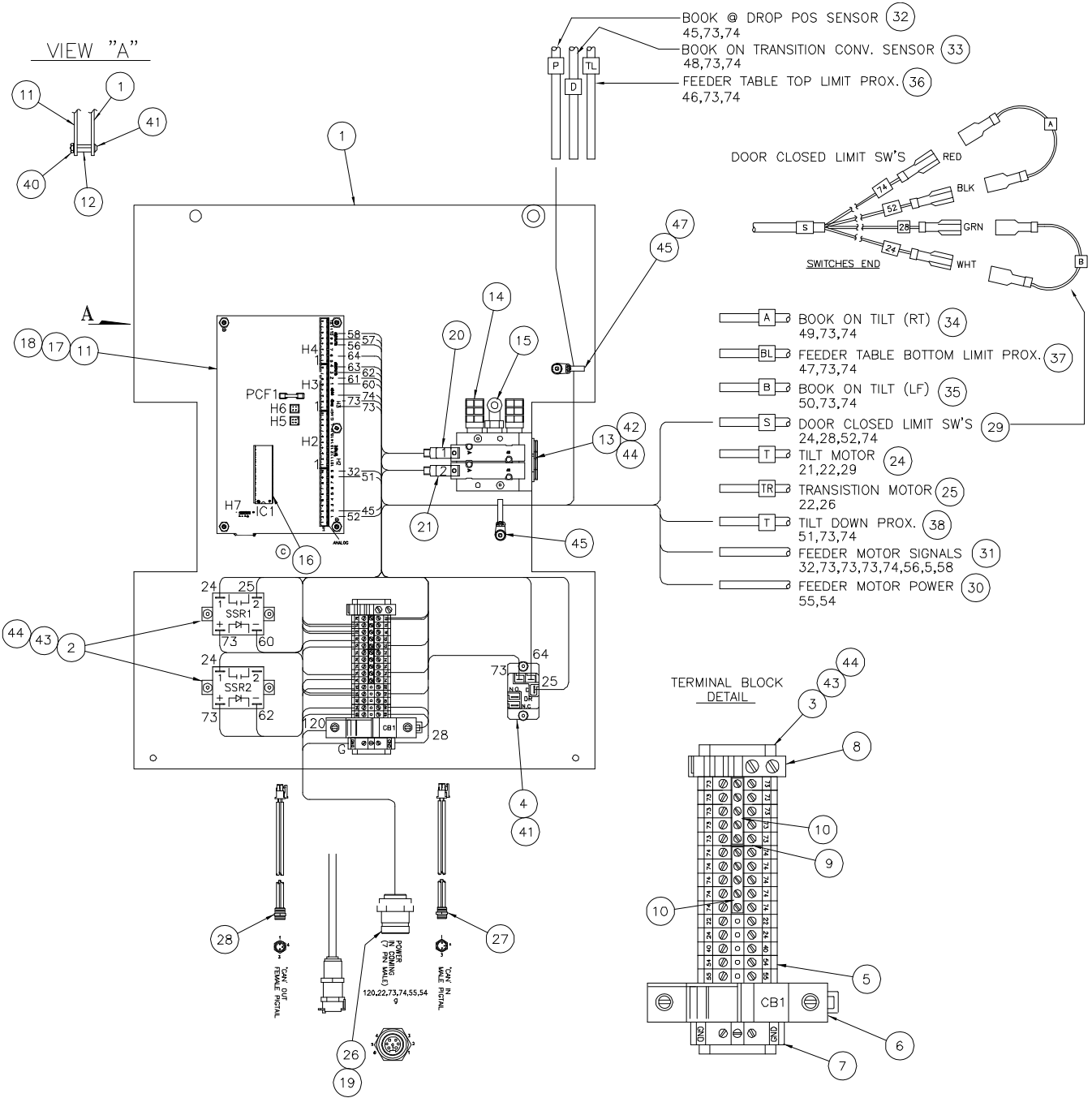


-  = APPLY REMOVEABLE THREAD-LOCK
-  = APPLY PERMANENT THREAD-LOCK
-  = APPLY GREASE

---

ITEM	PART NO.	DESCRIPTION	QTY
1	13940-1	HANDLE	1
2	58537	STANDOFF- SHEET METAL	6
3	58549-2	SIDE COVER	1
4	58570	HINGE BLOCK	2
5	58571-1	HINGE ROD	1
6	58572-1	DOOR	1
7	58573	MAGNET KEEPER BLOCK	1
8	58596-1	BRIDGE - ELEVATOR/FEEDER	1
9	60053	MAGNET - RARE EARTH	5
10	E-866-9	POSITIVE ACTION MICROSWITCH	2
11	H-6431-4	NUT - 1/4-20 ACORN CAP	3
12	H-6909-102404	SCREW - #10-24 X 1/2" FLAT HEAD CAP	2
13	H-6909-404	SCREW - 1/4-20 X 1/2" FLAT HEAD CAP	3
14	H-6910-102403	SCREW - #10-24 X 3/8 BUTTON HEAD CAP	6
15	H-6910-102404	SCREW - #10-24 X 1/2 BUTTON HEAD CAP	7
16	H-6910-406	SCREW - 1/4-20 X 3/4 BUTTON HEAD CAP	2
17	H-6918-410	SCREW - 1/4-20 X 1-1/4 SOCKET HEAD CAP	2
18	H-6918-44008	SCREW - #4-40 X 1 SOCKET HEAD CAP	2
19	H-7321-4	WASHER - 1/4 SAE PLAIN	2
20	H-7321-#10	WASHER - #10 SAE PLAIN	4
21	H-7324-8	WASHER - 1/4 INT TOOTH	2
22	H-7324-#10	WASHER - #10 INT TOOTH	4
23	H-7324-#4	WASHER - #4 INT TOOTH	2

### 8.19 Power Panel Assembly EE-3515



ITEM	PART NO.	DESCRIPTION	QTY
1	58540-1	PANEL - ELECTRICAL CONTROLS	1
2	E-2064-2	RELAY - SOLID STATE	2
3	E-1977-19	RAIL - TERMINAL - 5-1/2" LONG	1
4	E-2232-4	RELAY - TILT MOTOR DIRECTION	1
5	E-2068-8	TERMINAL BLOCK - #10 AWG., UK 5	15
6	E-3264-2	CIRCUIT BREAKER - 1.6A	1
7	E-2068-3	TERMINAL BLOCK - GROUNDING	1
8	E-2070-1	END BRACKET	1
9	E-2864	SEPARATOR PLATE - TERMINAL BLOCK	1
10	E-2507-4	FIXED BRIDGE - 5 POLE	2
11	EE-3508-1	PCB ASSEMBLY - I/O, TC	1
12	E-1152-56	STAND-OFF - 1/2" LONG	5
13	58556	VALVE ASM. - PNEUMATIC	1
14	P-511	SILENCER - PNEUMATIC, 1/4NPT	2
15	P-503-402	CONNECTOR - PNEUMATIC PUSH-IN 90°	1
16	EE-1888-27	IC - PROGRAMMED, TC PILE FEEDER	1
17	E-2066-8	CONNECTOR - PCB PLUG-IN, 8 POS	2
18	E-2066-10	CONNECTOR - PCB PLUG-IN, 10 POS	2
19	E-519	CONDUIT NUT - 1/2" STEEL	1
20	EE-3531-20	PLUG ASM. - AIR SOL., TILT UP (#1)	1
21	EE-3531-21	PLUG ASM. - AIR SOL., TRANSITION UP (#2)	1
22			
23	E-1214-54	CONNECTOR - 1/4" MALE QUICK DISC.	4
24	EE-3542-1	CABLE ASM. - TILT MOTOR (T)	REF
25	EE-3542	CABLE ASM. - TRANSITION MOTOR (TR)	REF
26	EE-3550	PIGTAIL ASM. - 7 POS. MAIN POWER	1
27	EE-3460-3	CABLE PIGTAIL - 3 POS., MALE 'CAN' IN	1
28	EE-3460-4	CABLE PIGTAIL - 3 POS., FEMALE 'CAN' OUT	1
29	EE-3543	CABLE ASM. - DOOR CLOSED SW'S (LS1,LS2)	1
30	EE-3497-2	CABLE ASM. - FEEDER SERVO MOTOR POWER	1
31	EE-3498-2	CABLE ASM. - FEEDER SERVO MOTOR SIGNAL	1
32	EE-3541-6	PHOTO-SW. ASM. - BOOK @ DROP POSITION	1
33	EE-3541-7	PHOTO-SW. ASM. - BOOK ON TRANSITION CONV.	1
34	EE-3541-8	PHOTO-SW. ASM. - BOOK ON TILT (RH)	1
35	EE-3541-9	PHOTO-SW. ASM. - BOOK ON TILT (LH)	1
36	EE-3533-2	PROX SW. ASM. - FEEDER TABLE TOP LIMIT	1
37	EE-3533-3	PROX SW. ASM. - FEEDER TABLE BOT. LIMIT	1
38	EE-3533-4	PROX SW. ASM. - TILT TABLE DOWN	1
39	E-709-R	WIRE - #18 GA. RED MTW 173" TOTAL	1
40	H-6423-#6	NUT, #6-32NC HEX (KEP STYLE)	5
41	H-6910-63203	SCREW, #6-32NC X 3/8" BUT HD CAP	7
42	H-6918-83212	SCREW, #8-32NC X 1-3/4" SOC HD CAP	2
43	H-6910-83203	SCREW, #8-32NC X 3/8" BUT HD CAP	6
44	H-7324-#8	WASHER, #8 INT. TOOTHLOCK	8
45	H-6910-102403	SCREW - #10-24X3/8 BUT HD SOC CAP	7
46	S-1694	TYRAP - CABLE (NOT SHOWN)	14
47	S-1694-2	TYRAP - CABLE, SCREW MOUNT	2
48	E-1214-51	CONNECTOR - 3/16" FULLY INS. Q.D.	2
49	E-1214-65	CONNECTOR - 1/4" FULLY INS. QUICK DISC.	7