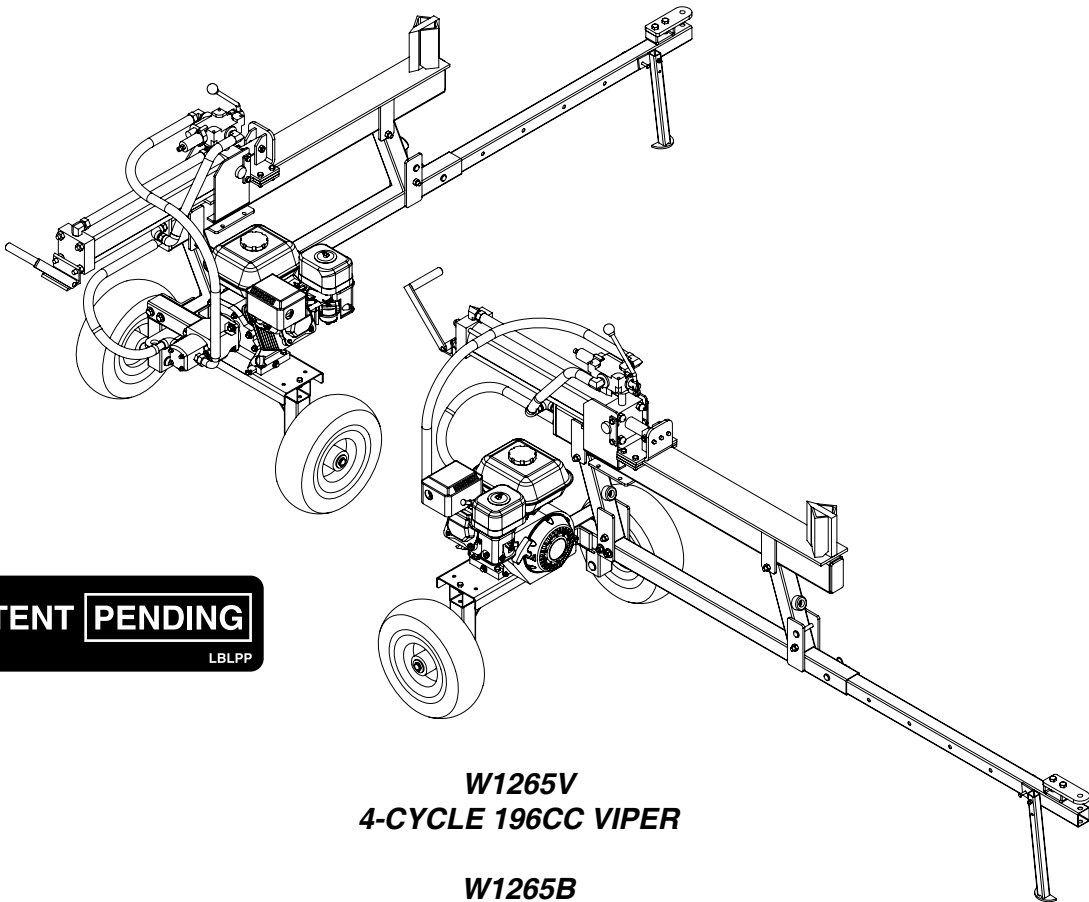


Earthquake[®]

TRAIL WARRIOR QUICK SPLIT 12 TON LOG SPLITTER OPERATORS MANUAL



PATENT PENDING

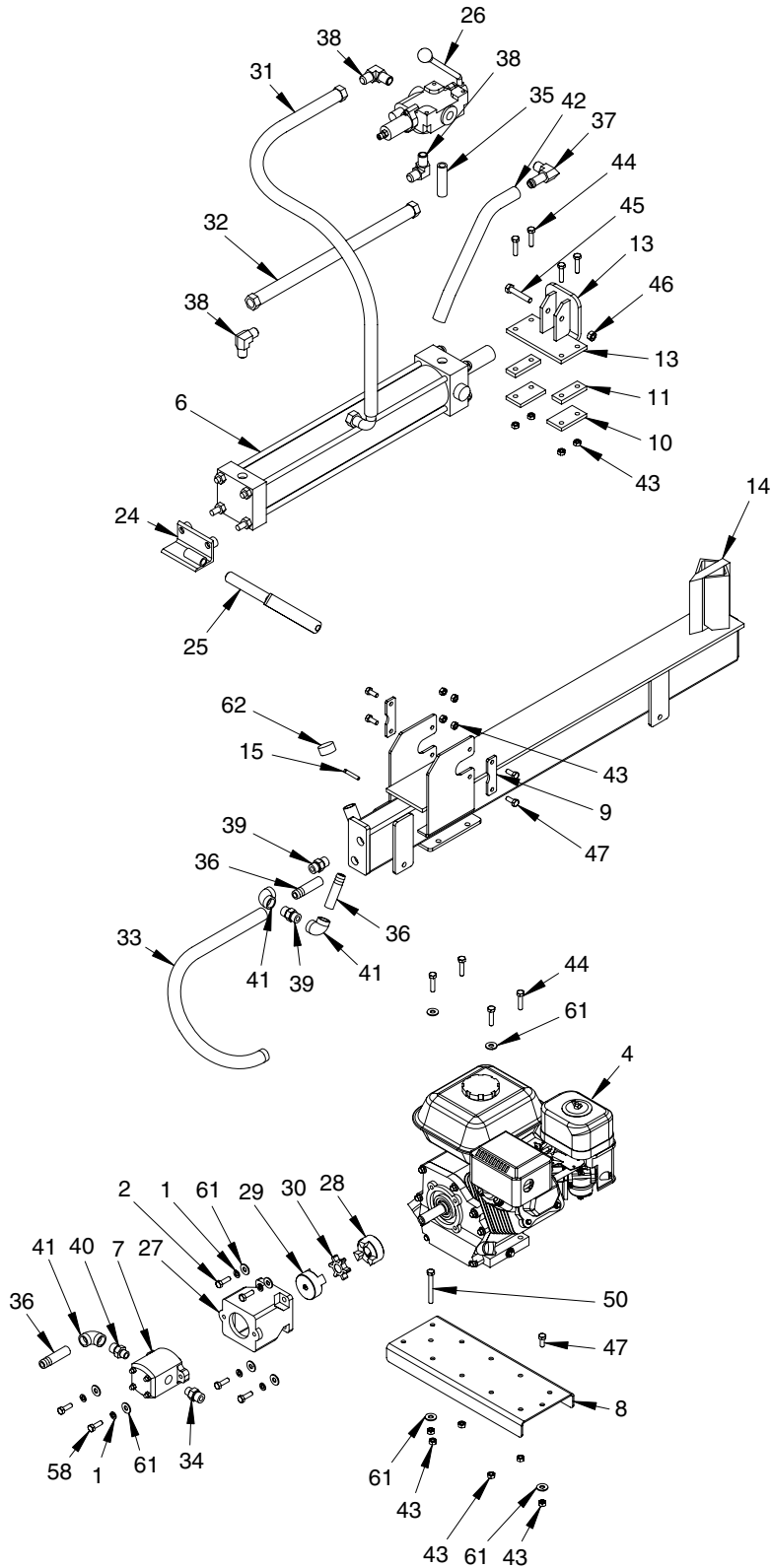
LBLPP

**W1265V
4-CYCLE 196CC VIPER**

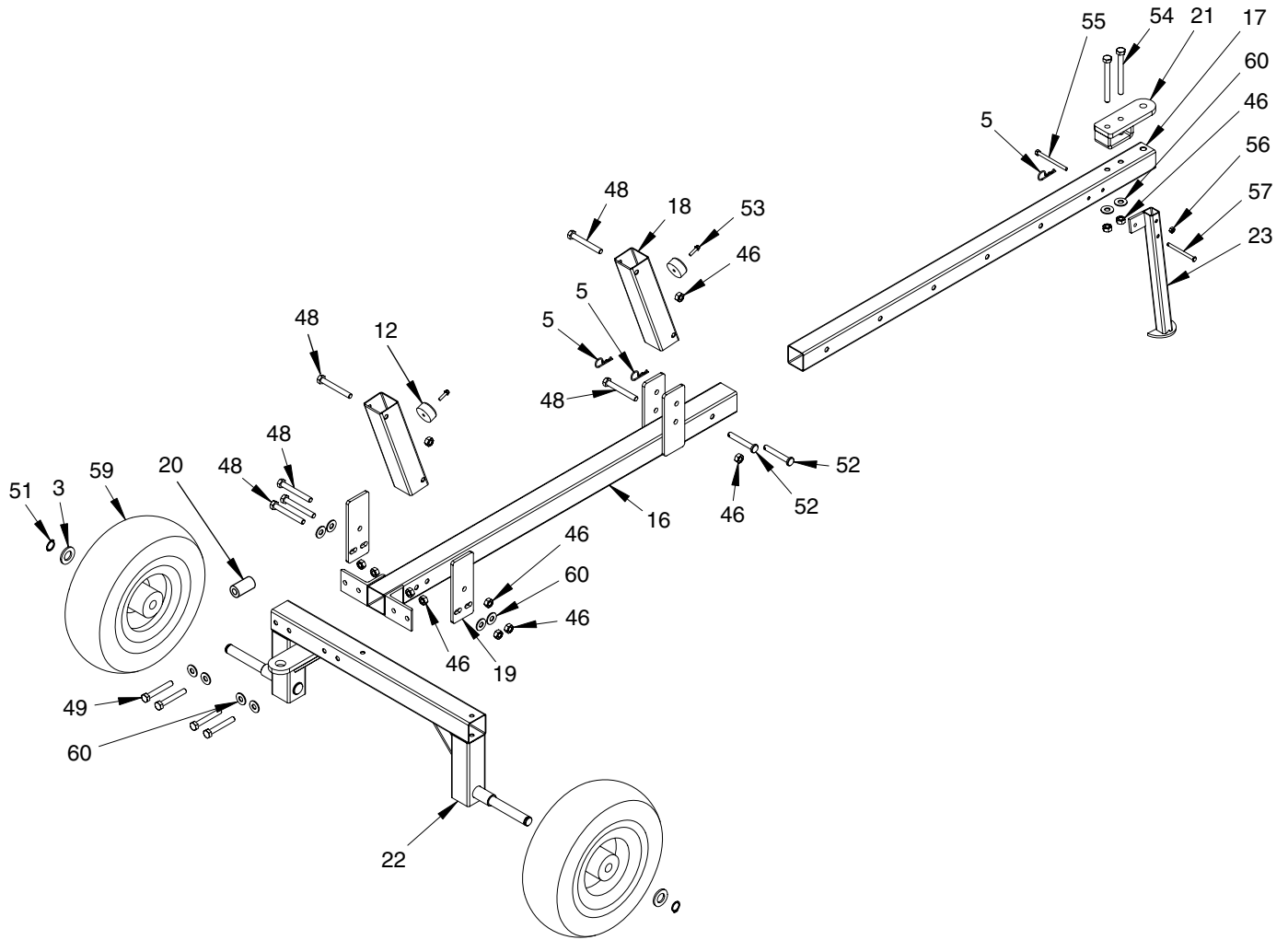
**W1265B
4-CYCLE 205CC BRIGGS & STRATTON**

OMW1265V
Rev. 12/09/08
© 2008 Ardisam, Inc.
All Rights Reserved. Printed in USA.

W1265V PARTS DIAGRAM



W1265V PARTS DIAGRAM (CONT.)



W1265V PARTS LISTING

KEY #	PART #	DESCRIPTION	QTY
1	504	LOCKWASHER-SPRING 5/16"	6
2	810	BOLT 5/16-24 X 1 HH GR5	4
3	4159	WASHER 3/4" SPINDLE SAE	2
4	60365 or 60501*	ENGINE - 6.5 HP VIPER HORZ or Briggs & Stratton 205cc*	1
5	HAIRS	PIN OVAL HAIR PIN 5/16" Z	3
6	W1265V0100	CYLINDER, HYDRAULIC 75MM X 21" TRUNNION MOUNT	1
7	W1265V0110	PUMP, HYDRAULIC SINGLE STAGE 4 GPM	1
8	W1265V0205	PLATE, ENGINE MOUNT 12 TON LOG SPLITTER	1
9	W1265V0209	PLATE, RETAINER TRUNNION HYDRAULIC CYLINDER	2
10	W1265V0210	PLATE, RETAINER PUSH BLOCK 12 TON LOG SPLITTER	2
11	W1265V0211	SPACER, PUSH BLOCK 12 TON LOG SPLITTER	2
12	W1265V0216	BUMPER, PAD 12 TON LOG SPLITTER LIFT	2
13	W1265V0218	WELDMENT, PUSH BLOCK 12 TON LOG SPLITTER	1
14	W1265V0219	WELDMENT, BEAM 12 TON LOG SPLITTER	1
15	W1265V0220	SCREW, AIR VENT	1
16	W1265V0300	WELDMENT, TOUNGE LOG SPLITTER TRAILER	1
17	W1265V0302	EXTENSION, TOUNGE LOG SPLITTER TRAILER	1
18	W1265V0303	TUBE, RISER LOG SPLITTER TRAILER	2
19	W 1265V0304	PLATE, RISER SUPPORT ADJ LOG SPLITTER TRAILER	2
20	W1265V0309	SPACER, AXLE MOUNT	1
21	W1265V0311	WELDMENT, HITCH LOG SPLITTER TRAILER	1
22	W1265V0400	WELDMENT, AXEL LOG SPLITTER TRAILER	1
23	W1265V0500	WELDMENT, KICKSTAND LOG SPLITTER TRAILER	1
24	W1265V0600	WELDMENT, LIFT HANDLE MOUNT 12 TON LOG SPLITTER	1
25	W1265V0608	WELDMENT, LIFT HANDLE 12 TON LOG SPLITTER	1
26	W1265V0700	VALVE, LOG SPLITTER WITH SPRING RETURN	1
27	W1265V0801	SPACER, HYDRAULIC PUMP 12 TON SPLITTER	1
28	W 1265V0802	COUPLING, LOVE JOY 19MM BORE WITH SET SCREW	1
29	W1265V0803	COUPLING, LOVE JOY 10MM BORE WITH SET SCREW	1
30	W1265V0804	SPIDER, LOVE JOY L SERIES	1
31	W1265V0805	HYDRAULIC HOSE 40 MPA WITH 1/7 JIC SWIVEL FITTINGS	1

* For model W1265B only.

W1265V PARTS LISTING (CONT.)

KEY #	PART #	DESCRIPTION	QTY
32	W1265V0806	HOSE, HYDRAULIC 40 MPA WITH 1/2" JIC SWIVEL FITTINGS	1
33	W1265V0807	HOSE, HYDRAULIC SUCTION PUMP SUPPLY LOG SPLITTER	1
34	W1265V0808	FITTING, HYDRAULIC	1
35	W1265V0810	PIPE, NIPPLE 1/2 NPT VALVE SPACER LOG SPLITTER	1
36	W1265V0811	FITTING 1/2" NPT TO HOSE	3
37	W1265V0812	FITTING, ELBOW 1/2" TO HOSE	1
38	W1265V0813	FITTING, ELBOW 1/2" NPT TO 1/2" JIC	3
39	W1265V0814	COUPLING 1/2" MALE TO MALE	2
40	W1265V0815	COUPLING 1/2" TO 3/8" MALE TO MALE	1
41	W1265V0816	ELBOW 1/2" NPT	3
42	W1265V0817	HOSE, HYDRAULIC LOW PRESSURE RETURN	1
43	W1265V0900	NUT, M8 NYLOCK ZINC GRADE 8.8	14
44	W1265V0901	BOLT, M8 X 35 HHCS ZINC GRADE 8.8	8
45	W1265V0902	BOLT, M10 X 70 HHCS ZINC GRADE 8.8	1
46	W1265V0903	NUT, M10 ZINC GRADE 8.8	13
47	W1265V0904	BOLT, M8 X 20 HHCS ZINC GRADE 8.8	5
48	W1265V0905	BOLT, M10 X 80 HHCS ZINC GRADE 8.8	6
49	W1265V0902	BOLT, M10 X 70 HHCS ZINC GRADE 8.8	4
50	W1265V0907	BOLT, M8 X 70 HHCS ZINC GRADE 8.8	1
51	W1265V0908	RING, RETAINING 3/4" EXTERNAL	2
52	W1265V0909	PIN, CLEVIS M10 X 70 ZINC	2
53	W1265V0910	SCREW, MACHINE SELF TAPPING	2
54	W1265V0911	BOLT, M10 X 100 HHCS ZINC GRADE 8.8	2
55	W1265V0912	BOLT, M6 X 80 HHCS ZINC GRADE 8.8	1
56	W1265V0913	NUT, M6 NYLOCK GRADE 8.8	1
57	W1265V0914	PIN, CLEVIS M6 X 55	1
58	W1265V0915	BOLT, M8 X 25 HHCS ZINC GRADE 8.8	2
59	W1265V1000	TIRE & WHEEL WITH BEARING AND 3/4 HUB DIA	2
60	WF38	WASHER FLAT 3/8 STANDARD ZINC	10
61	WF516	WASHER FLAT 5/16" STANDARD ZN	10
62	W1265V020303	FILLER CAP	1