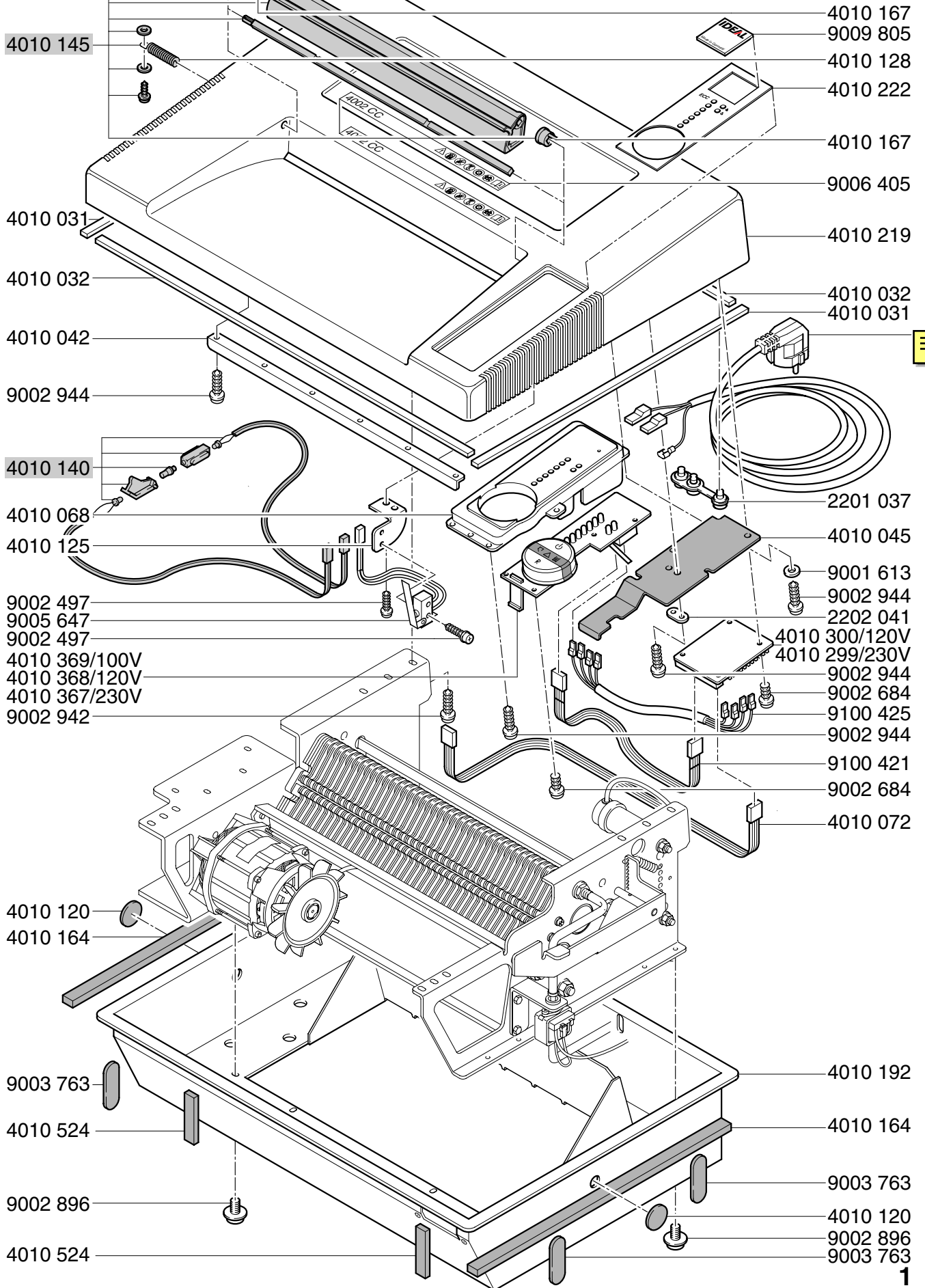
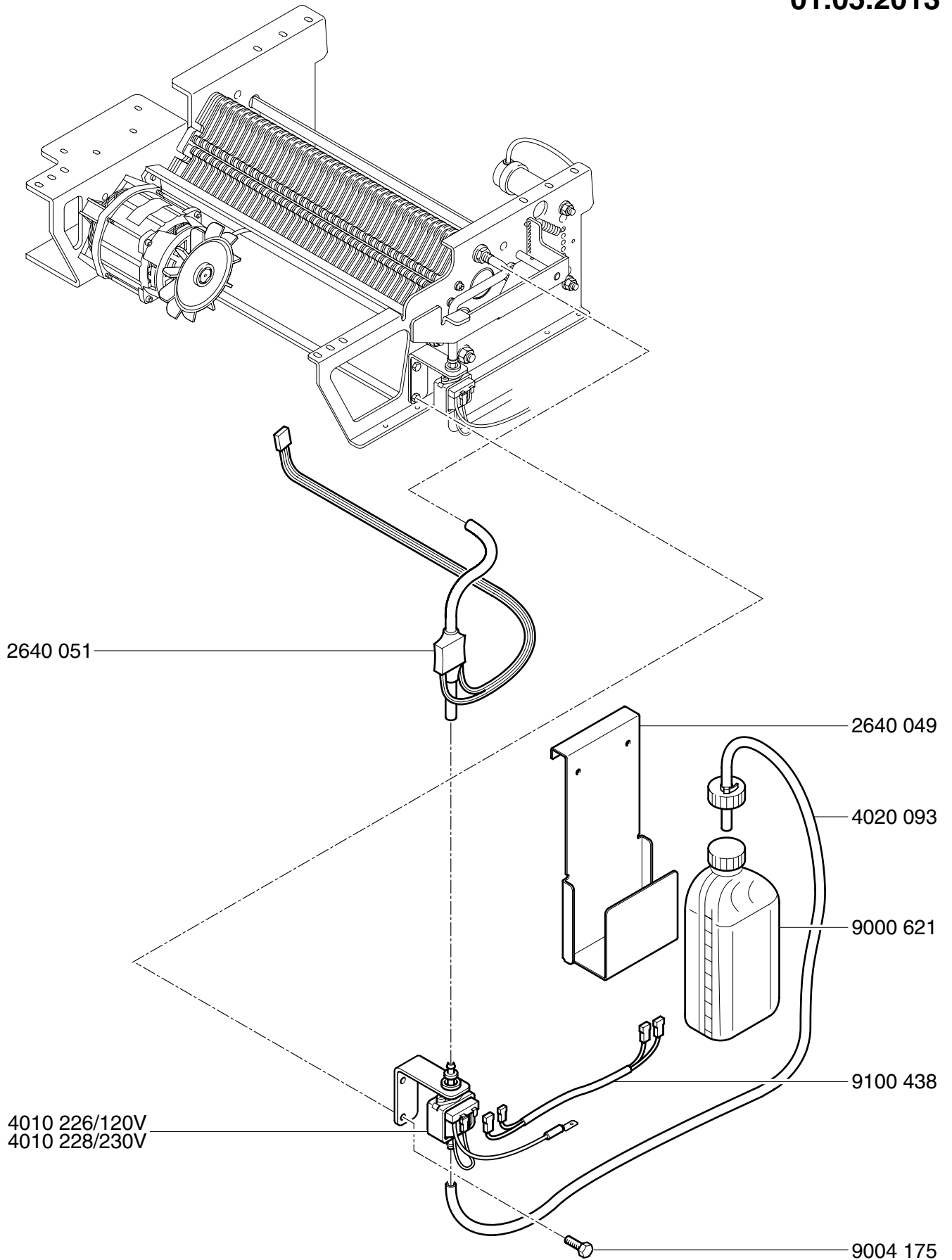


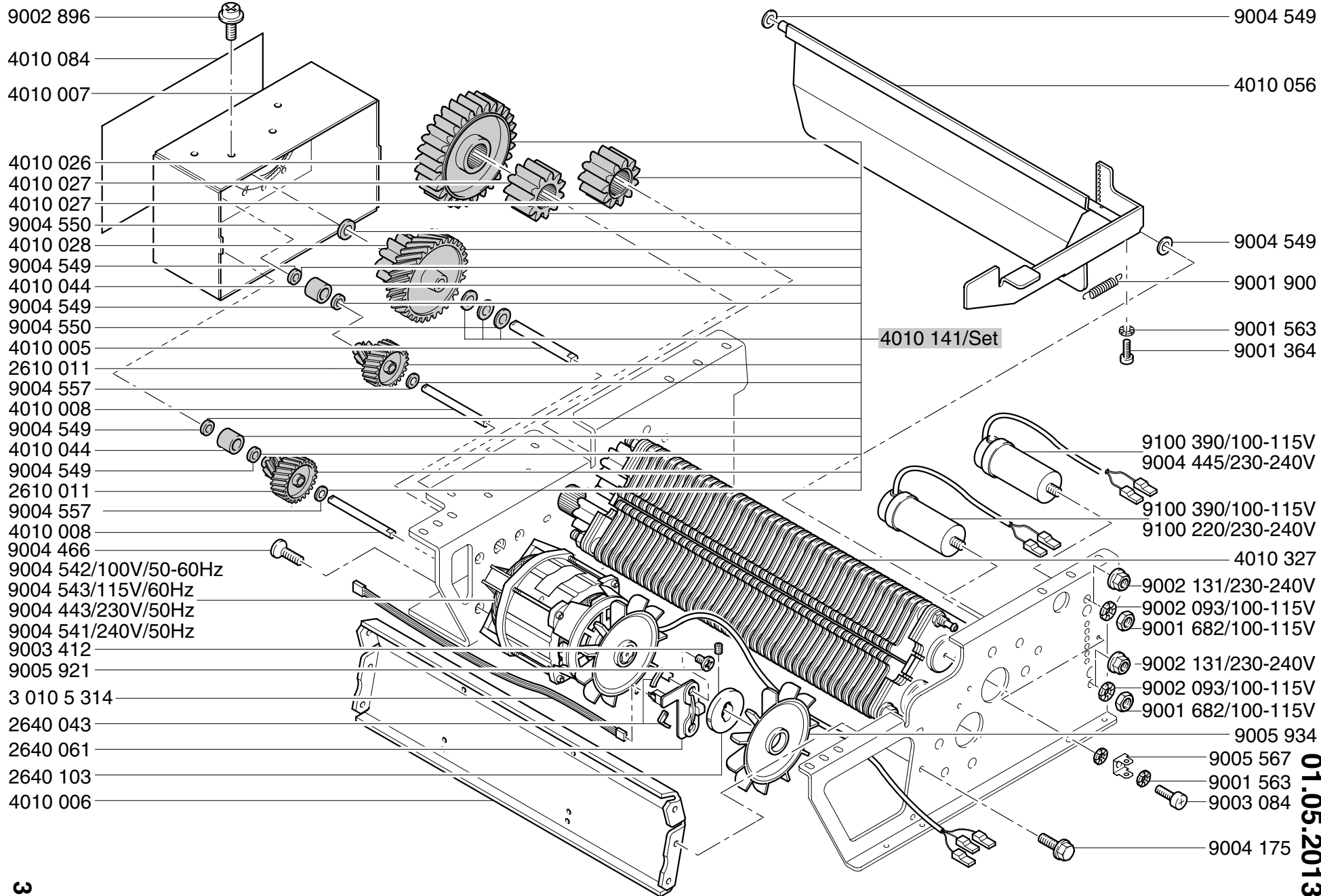
Mod.4002 Oil A

01.05.2013



CROSS / CUT 2x15mm
Mod.4002 Oil A
01.05.2013





- 9002 896
- 4010 084
- 4010 007
- 4010 026
- 4010 027
- 4010 027
- 9004 550
- 4010 028
- 9004 549
- 4010 044
- 9004 549
- 9004 550
- 4010 005
- 2610 011
- 9004 557
- 4010 008
- 9004 549
- 4010 044
- 9004 549
- 2610 011
- 9004 557
- 4010 008
- 9004 466
- 9004 542/100V/50-60Hz
- 9004 543/115V/60Hz
- 9004 443/230V/50Hz
- 9004 541/240V/50Hz
- 9003 412
- 9005 921
- 3 010 5 314
- 2640 043
- 2640 061
- 2640 103
- 4010 006

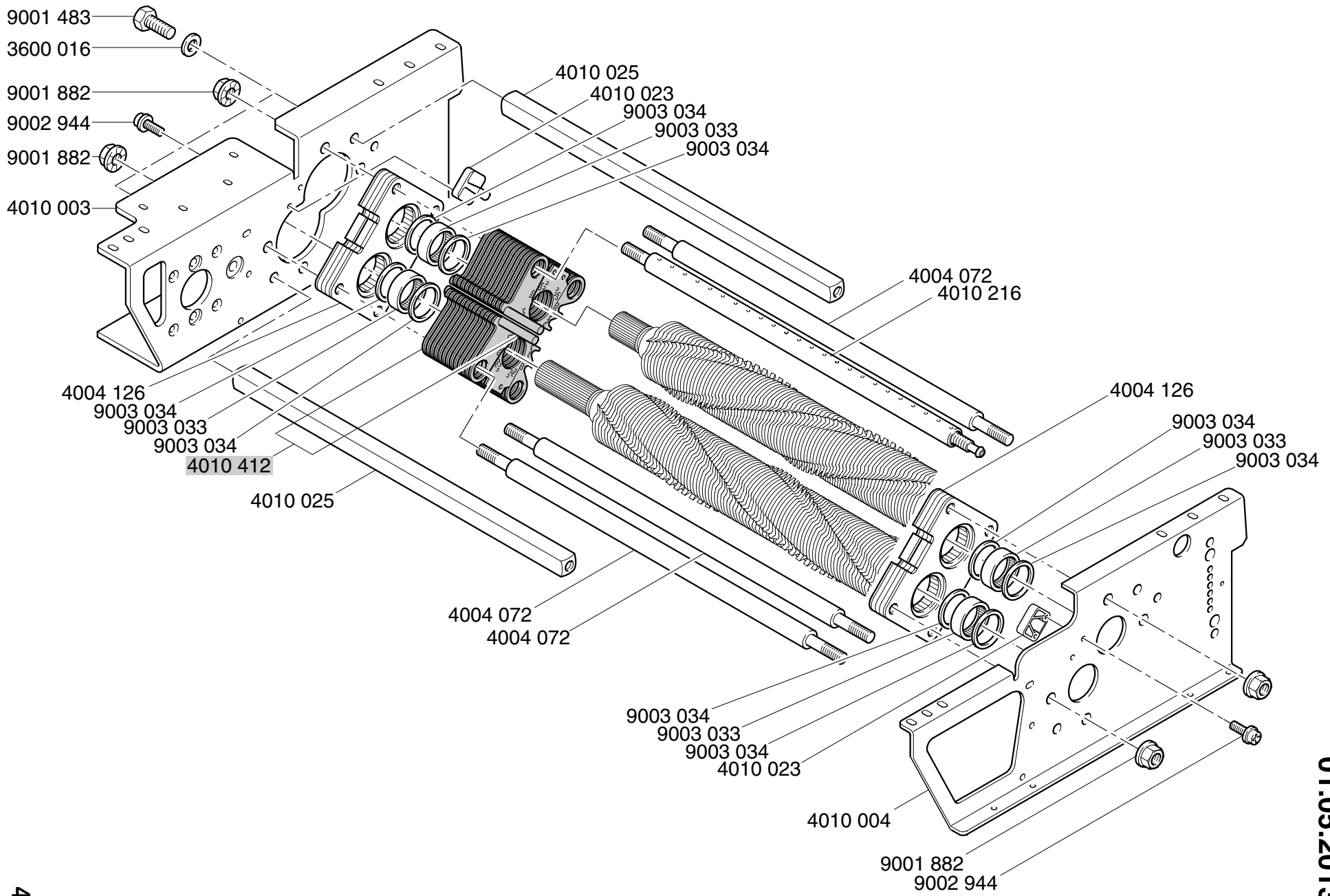
- 9004 549
- 4010 056
- 9004 549
- 9001 900
- 9001 563
- 9001 364
- 9100 390/100-115V
- 9004 445/230-240V
- 9100 390/100-115V
- 9100 220/230-240V
- 4010 327
- 9002 131/230-240V
- 9002 093/100-115V
- 9001 682/100-115V
- 9002 131/230-240V
- 9002 093/100-115V
- 9001 682/100-115V
- 9005 934
- 9005 567
- 9001 563
- 9003 084
- 9004 175

4010 141/Set

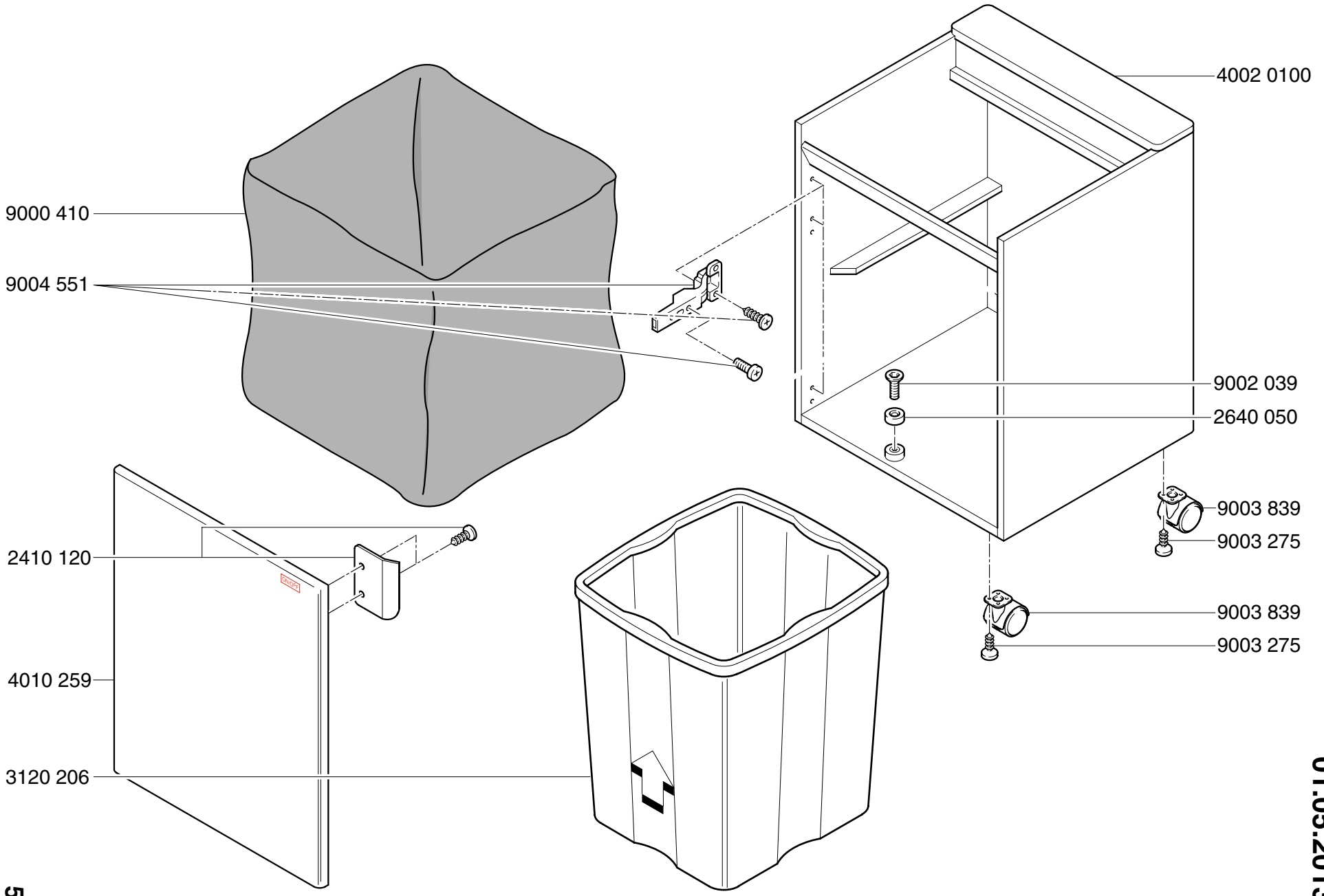
Mod. 4002 Oil A

CROSS / CUT 2x15mm

01.05.2013



Mod. 4002
CROSS / CUT
Oil A
 2x15mm
 01.05.2013



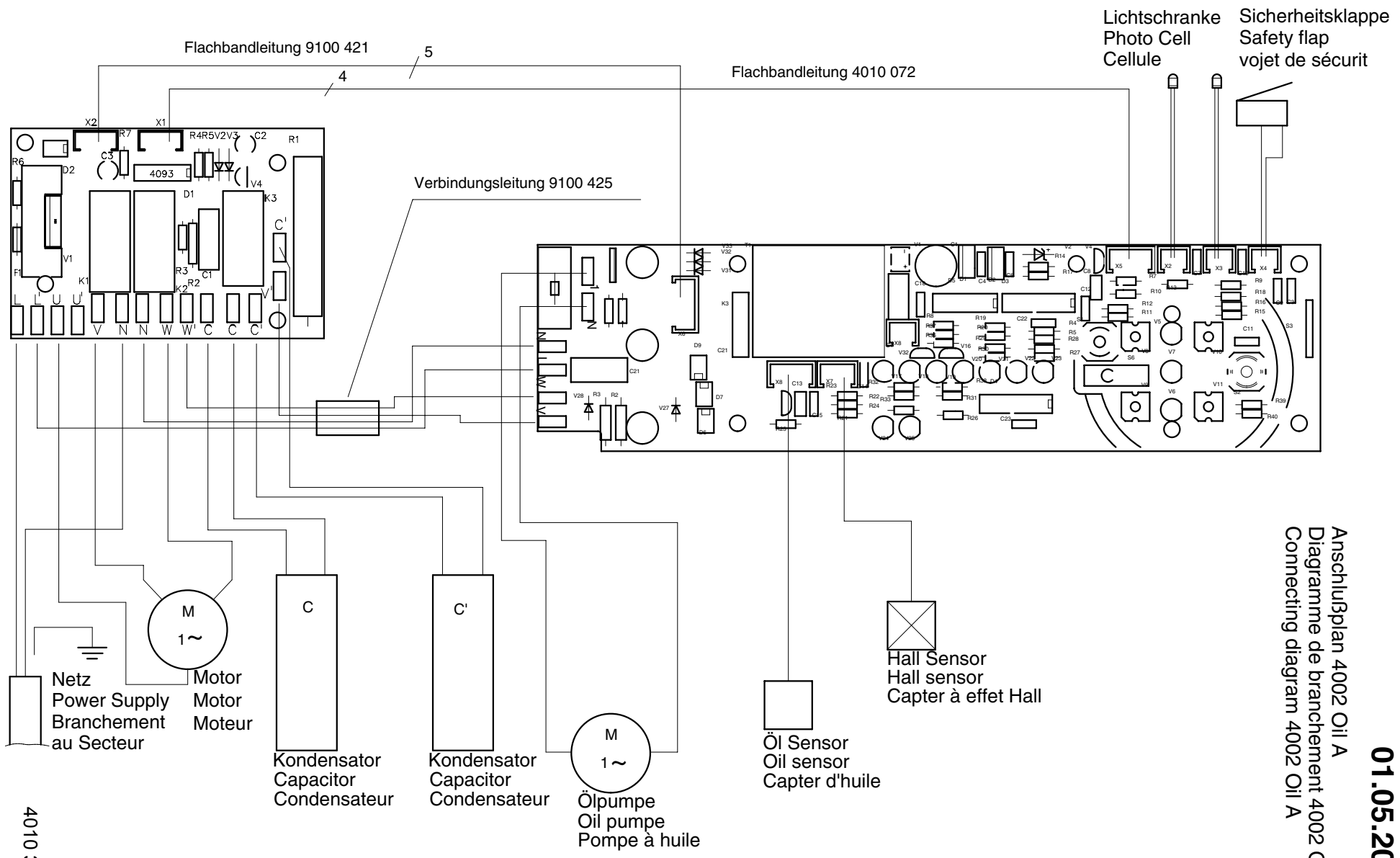
Mod. 4002
CROSS / CUT
Oil A
 2x15mm
 01.05.2013

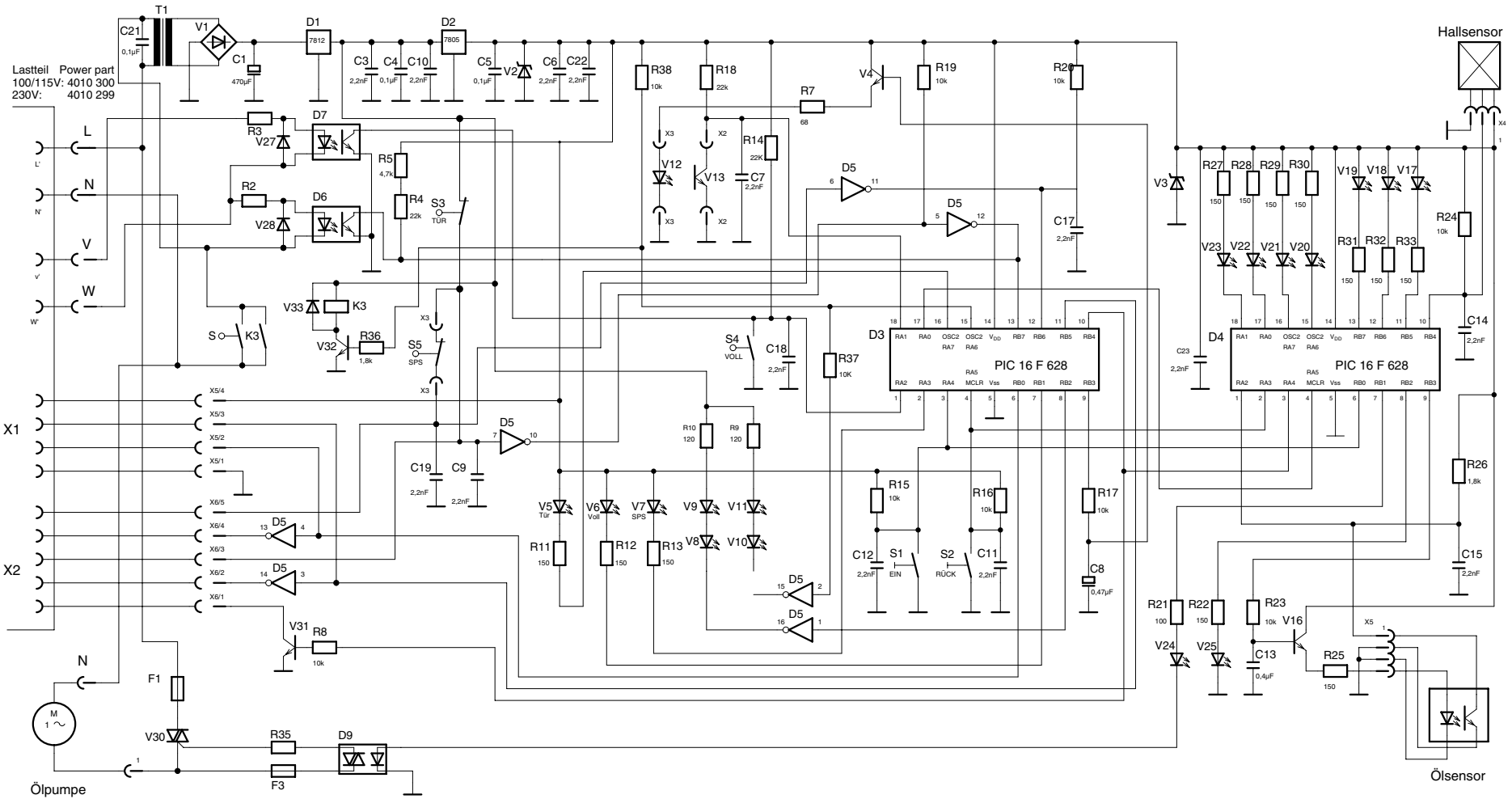
Mod. 4002 Oil A

CROSS / CUT 2x15mm

01.05.20134

Anschlußplan 4002 Oil A
 Diagramme de branchement 4002 Oil A
 Connecting diagram 4002 Oil A

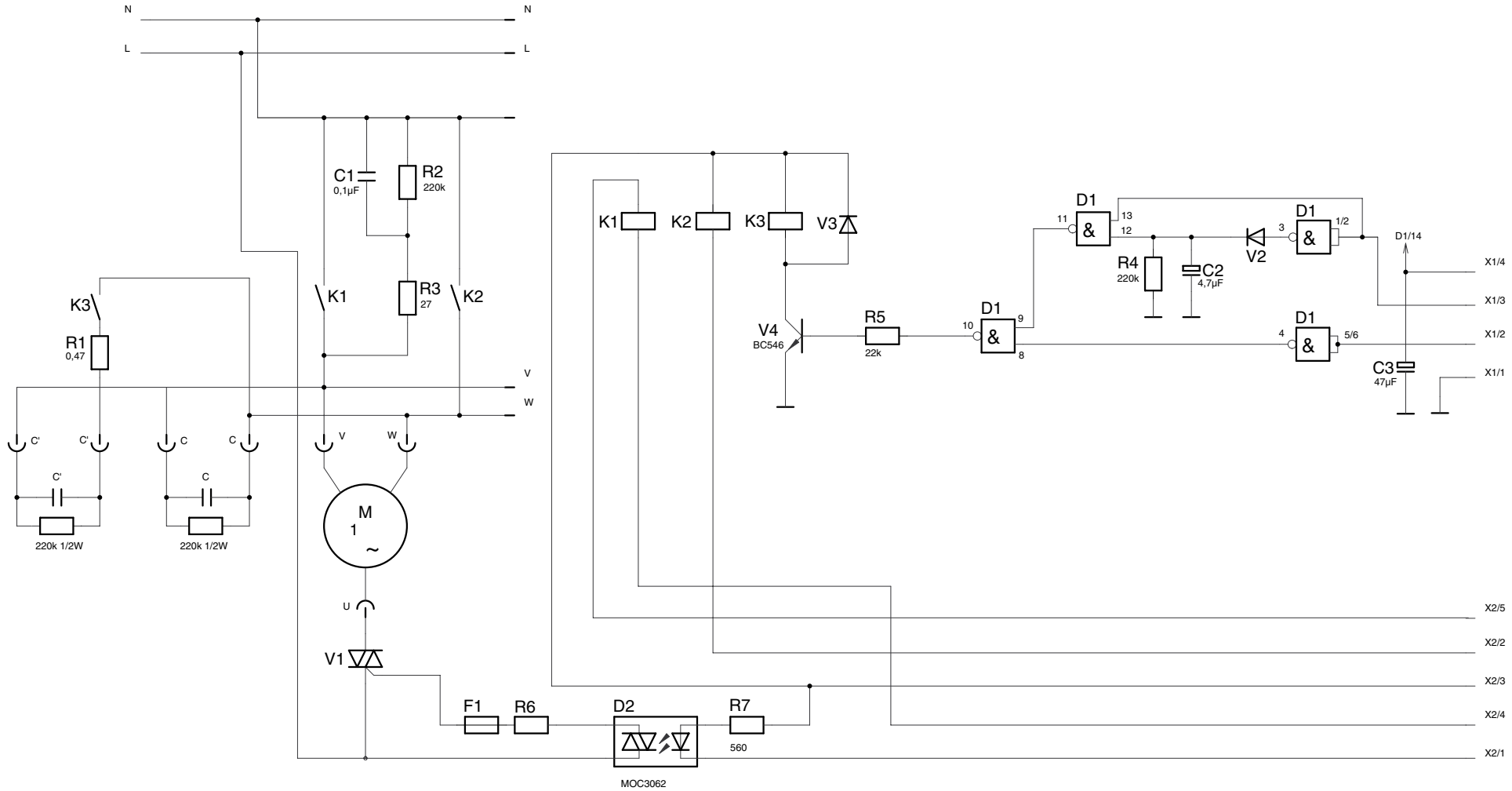




Mod. 4002 Oil A

CROSS / CUT 2x15mm
01.05.2013

4010 844 7
Stromlaufplan 4002 Oil A
schema de
circuit ectrique 4002 Oil A
wiring diagram 4002 Oil A



Mod. 4002 Oil A
 CROSS /CUT
 2x15mm
 01.05.2013

4010 301
 8
 Stromlaufplan 4002 Oil A
 schema de
 circuit ectrique 4002 Oil A
 wiring diagram 4002 Oil A