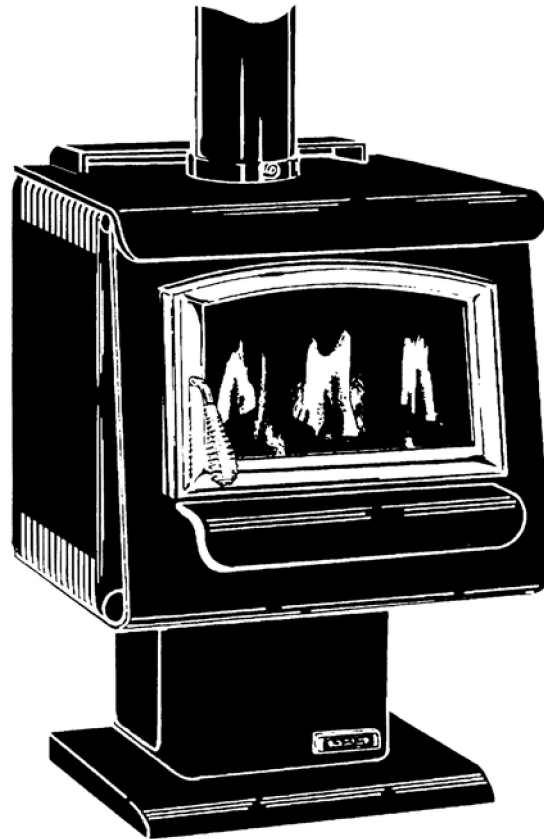


INSTALLATION AND OPERATION MANUAL

EPA CERTIFIED
CATALYTIC WOOD
BURNING STOVE



RETAIN THESE
INSTRUCTIONS
FOR FUTURE
REFERENCE

MODEL 1003C

**THIS APPLIANCE MUST BE INSTALLED BY A QUALIFIED INSTALLER.
READ ENTIRE MANUAL THOROUGHLY BEFORE INSTALLATION.**

P/N 775003M, Rev. P, 11/03



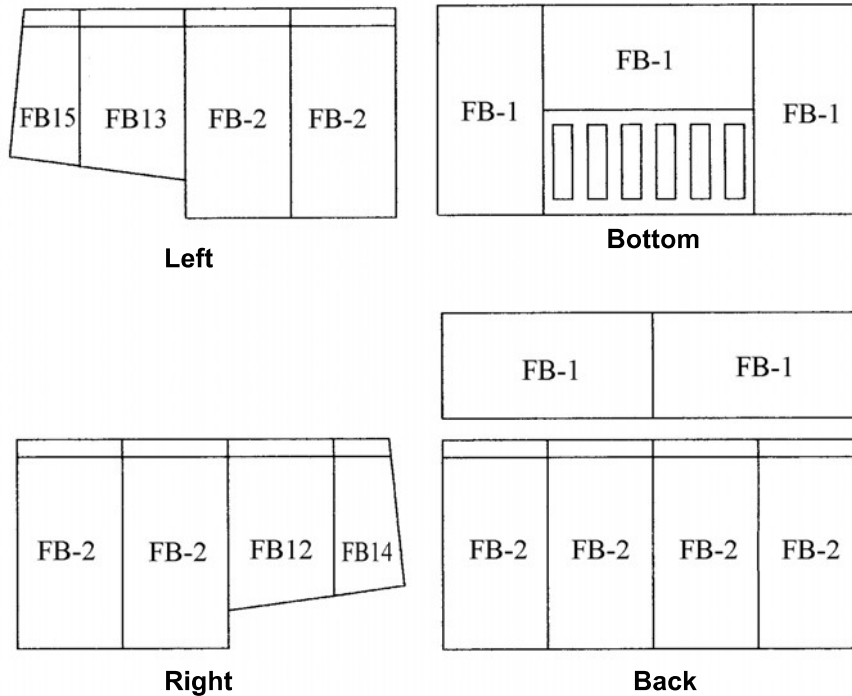
REPLACEMENT PARTS LIST: Model 1003C

ITEM NO	DESCRIPTION
Door Parts	
27M65	Clip Kit, Glass
G6000	Door Assembly, Black, H0533 (handle included)
14M72	Door Assembly, Gold, G3000 (handle included)
86-128	Gasket Kit, Door (3/4" rope, includes adhesive)
27M81	Gasket Kit, Glass (10' of 10580. self adhesive backing)
G2000-7	Glass, Small Arched, 9 3/8 x 15 3/4" (gasket not included)
10300	Handle Assembly, Door
11531	Hinge Pin, Retrofit (2 if set is needed)
10362	Torque Plate (latch)
Draft Module Parts	
907	Handle, Spring Module (00907)
26M29	Module Assembly, Draft (11658)
Catalytic Combustor Parts	
11000	Clip, Combustor (bracket w/ setscrew)
CLIP-2	Clip, Combustor (stair step clip)
14000	Combustor Assembly, 3" - Includes ceramics, gasket & housing
11481H	Gasket, Interam Combustor (1/16 x 3 x 36") - 11481
C-200-51	Hook, Damper (coil handle with hook for opening / closing damper bypass)
11485	Housing, Combustor (also requires 1 each P/N 11481H)
H0310	Probe, Combustor Temperature (Z-SC-107)
Room Air Blower Parts (if optional blower is installed)	
14M22	Blower Kit (includes Dial-A-Temp) - 820
14440	Rheostat, Dial-A-Temp
14M21	Stove Stat Kit (automates fan) - 18840
Miscellaneous Parts	
1100	Ash Drawer Assembly (01100)
14M67	Duct, Floor, 5 1/4" Square, 78-35 (for pedestal based models)
27M80H	Gasket Kit, Ash Drawer, 3/8" x 1/8" (16' of 01098)
1135	Knob, Ash Drawer (01135)
70K99	Paint, Metallic Black, 12 oz Spray Can, 76-141MB (#6309)
Firebox Parts	
26M27	Damper Kit (includes damper, linkage and rod)
FB14	Firebrick, 6 3/4 x 3 x 2 3/8" Left (requires 1) ♦
FB15	Firebrick, 6 3/4 x 3 x 2 3/8" Right (requires 1) ♦
FB12	Firebrick, 7 3/8 x 4 1/2 x 6 3/4" Left (requires 1) ♦
FB13	Firebrick, 7 3/8 x 4 1/2 x 6 3/4" Right (requires 1) ♦
FB-1	Firebrick, 9 x 4 1/2" Regular (order 5, if set is needed) ♦
FB-2	Firebrick, 9 x 4 1/2" w/Notch (order 8, if set is needed) ♦
1115	Grate, Cast Iron (SN>3200 approx.) - 01115

REPLACEMENT PARTS LIST: Model 1003C

Cat. No.	Model	Description
/ Part No.		Firebrick - All firebrick are 1 ¼" thick (see firebrick diagram below)
FB-1		Firebrick, 9 x 4 ½" Regular (order 5, if set is needed)
FB-2		Firebrick, 9 x 4 ½" W/Notch (order 8, if set is needed)
FB12		Firebrick, 7 3/8 x 4 ½ x 6 ¾" Left (requires 1)
FB13		Firebrick, 7 3/8 x 4 ½ x 6 ¾" Right (requires 1)
FB14		Firebrick, 6 3/4 x 3 x 2 3/8" Left (requires 1)
FB15		Firebrick, 6 3/4 x 3 x 2 3/8" Right (requires 1)
1115		Grate, Cast Iron

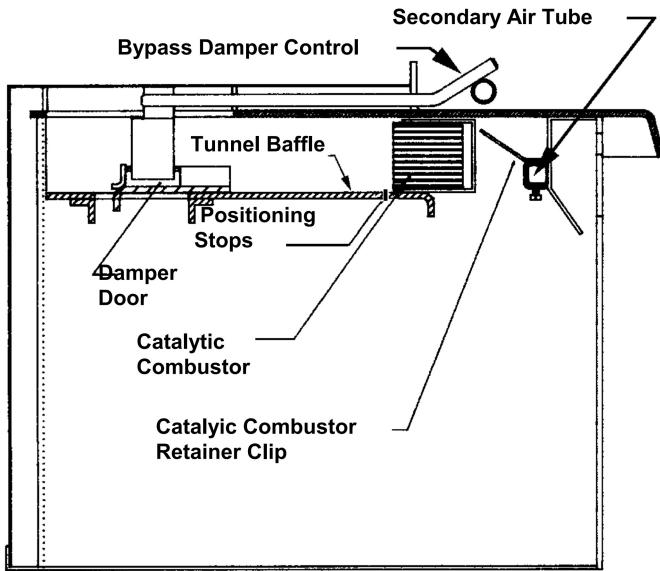
Firebrick



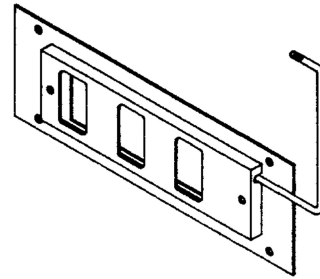
For the location of the nearest Dealer for replacement parts, contact:
Lennox Hearth Products
1110 West Taft Avenue
Orange, CA 92865

COMPONENT DIAGRAMS - Model 1003C

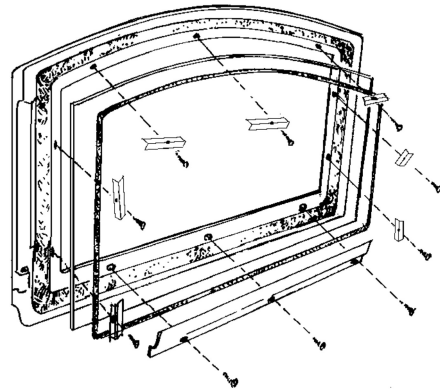
Catalytic Combustor System Components



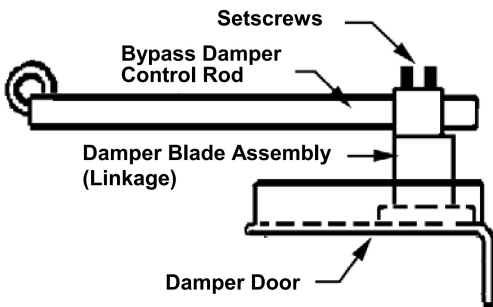
Air Intake Draft Module



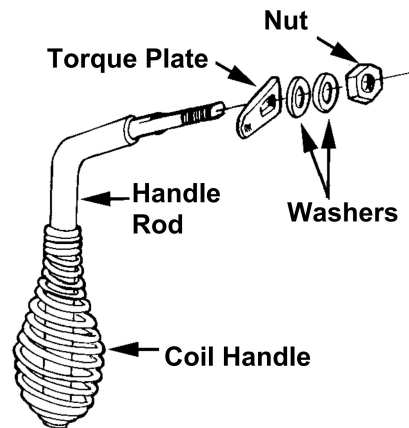
Door Assembly



Damper Assembly



Handle Assembly (P/N LB-102214)



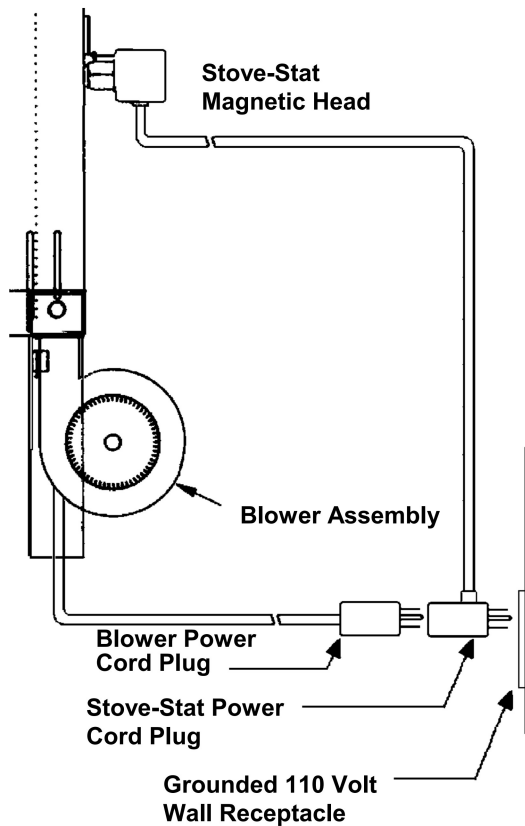
OPTIONAL ACCESSORIES - Model 1003C

Note: Install and use accessories per instructions provided with the accessory kit.

Catalog #	Model	Description
14M67	OAFD-S	Outside Air Floor Duct
* 14M72	DK100-G	Gold Door Kit
* H0533	DK100-B	Black Door Kit
14M22	BK-100	Blower Kit
14M21	SSK	Stove Stat Kit
70K99	TSPK-B	Touch-up Spray Paint Kit, Black (12 oz spray can)

Stove-Stat Kit (SSK)

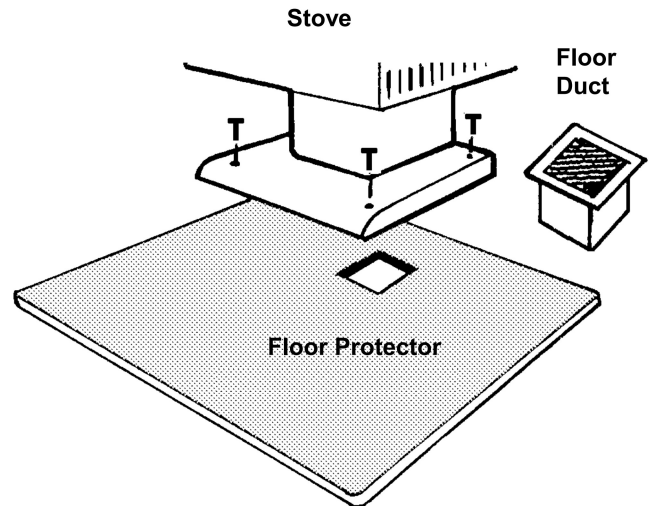
To automate the blower system an additional Stove-Stat kit can be purchased. The Stove-Stat is a heat sensor switch that will automatically turn on the blower when the stove is hot and automatically turn it off when the stove is cool.



Outside Air Floor Duct (OAFD-S)

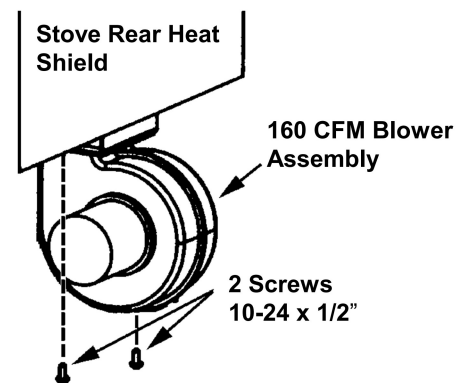
Outside air can be delivered for combustion air by utilizing this floor penetration duct.

(Duct penetration measures 5 1/4" square)



Blower Kit (BK-100)

A Blower Kit (includes rheostat for variable speed control) is available for increased heat circulation.



Variable Speed Control, Dial-A-Temp

