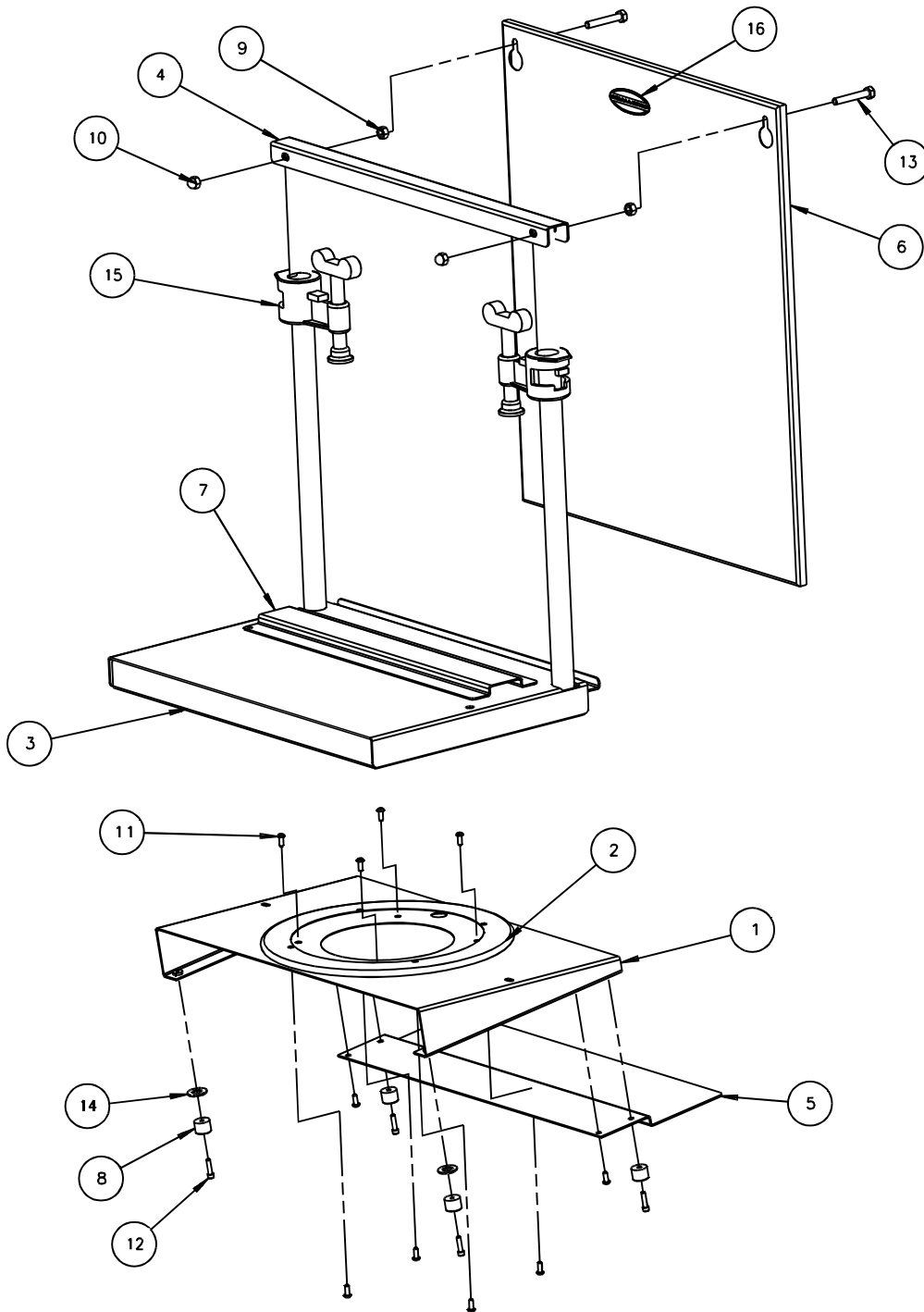


Parts List

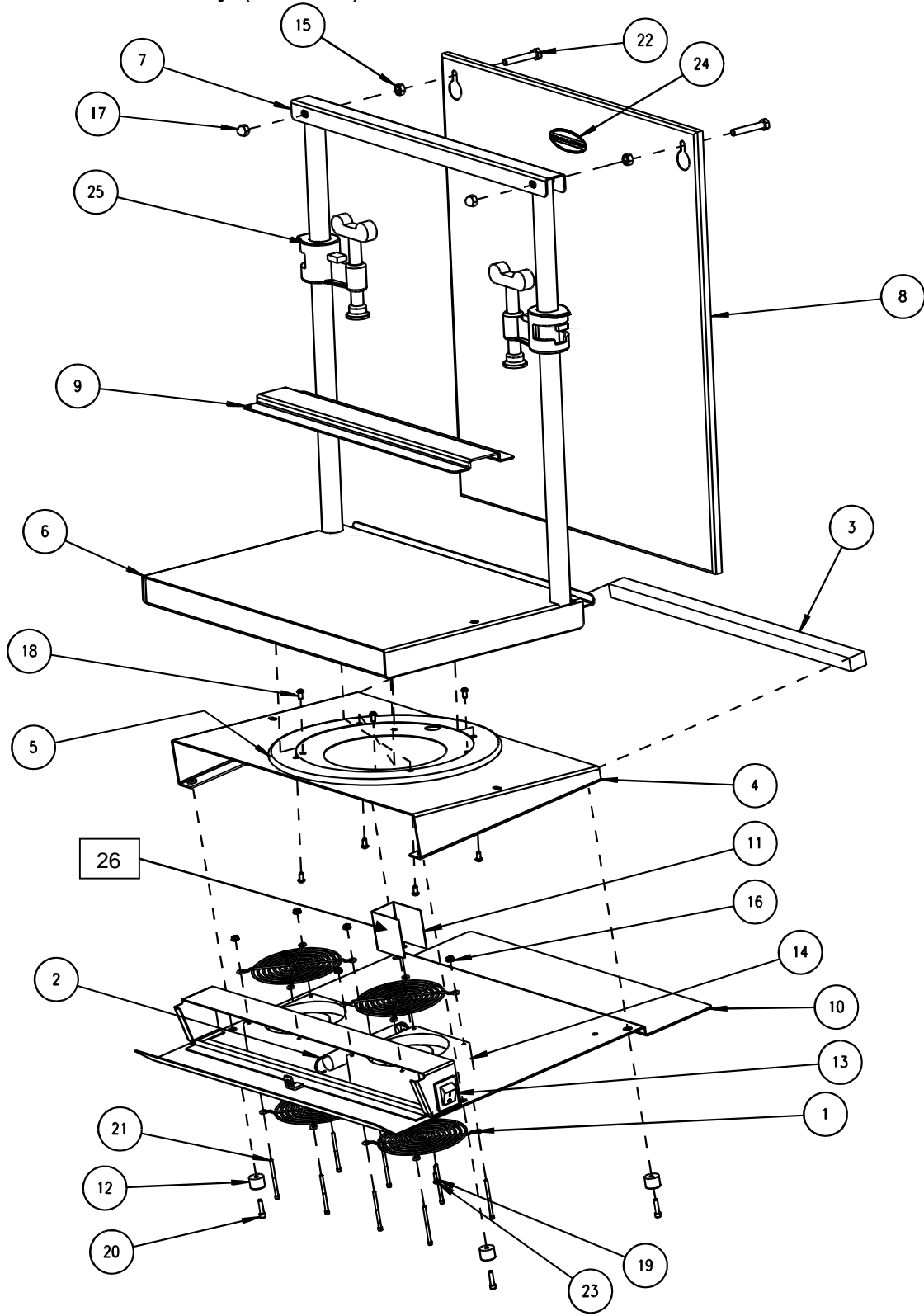
4.1 Main Assembly (without Air)



4.2 Main Assembly (continued)

ITEM	PART NO.	DESCRIPTION	QTY
1	65001	BASE	1
2	65002	TURNTABLE	1
3	65003	TABLE ASSEMBLY	1
4	65007	TIE BAR	1
5	65008	SUPPORT	1
6	65009	DOOR	1
7	65010	CLAMP	1
8	A-11074	FOOT - RUBBER	4
9	H-6417-5	NUT - 5/16-18 HEX	2
10	H-6431-5	NUT - 5/16-18 ACORN CAP	2
11	H-6910-102403	SCREW - #10-24 X 1/2 BUTTON HEAD CAP	10
12	H-6918-102406	SCREW - #10-24 X 3/4 SOCKET HEAD CAP	4
13	H-6992-516	SCREW - 5/16-18 X 2 FULL THD HEX HD	2
14	H-7321-6	WASHER - 3/8 SAE PLAIN	2
15	S-1882	3/4" PIPE CLAMP	2
16	S-1076-2	CHALLENGE LABEL	1

4.3 Main Assembly (with Air)



4.4 Main Assembly (with Air, continued)

ITEM	PART NO.	DESCRIPTION	QTY
1	47092	GUARD - FAN	4
2	47136-4	EXTENSION SPRING	1
3	47163-	GASKET	1
4	65001	BASE	1
5	65002	TURNTABLE	1
6	65003	TABLE ASSEMBLY	1
7	65007	TIE BAR	1
8	65009	DOOR	1
9	65010	CLAMP	1
10	65018	AIR BLOWER BASE	1
11	65022	SWITCH COVER	1
12	A-11074	FOOT - RUBBER	4
13	E-1140-11	ROCKER SWITCH	1
14	E-2483	FAN	2
15	H-6417-5	NUT - 5/16-18 HEX	2
16	H-6423-#6	NUT - #6-32 HEX KEP	8
17	H-6431-5	NUT - 5/16-18 ACORN CAP	2
18	H-6910-102403	SCREW - #10-24 X 3/8 BUTTON HEAD CAP	8
19	H-6910-63204	SCREW - #6-32 X 1/2 BUTTON HEAD CAP	1
20	H-6918-102406	SCREW - #10-24 X 3/4 SOCKET HEAD CAP	4
21	H-6918-63216	SCREW - #6-32 X 2 SOCKET HEAD CAP	8
22	H-6992-516	SCREW - 5/16-18 X 2 FULL THD HEX HD	2
23	H-7324-#6	WASHER - #6 INT TOOTH	1
24	S-1076-2	CHALLENGE LABEL	1
25	S-1882	3/4" PIPE CLAMP	2
26	S-1781-113	LABEL- SHOCK HAZARD	1

4.5 Wiring Diagram- E-3176 Rev. "A"

