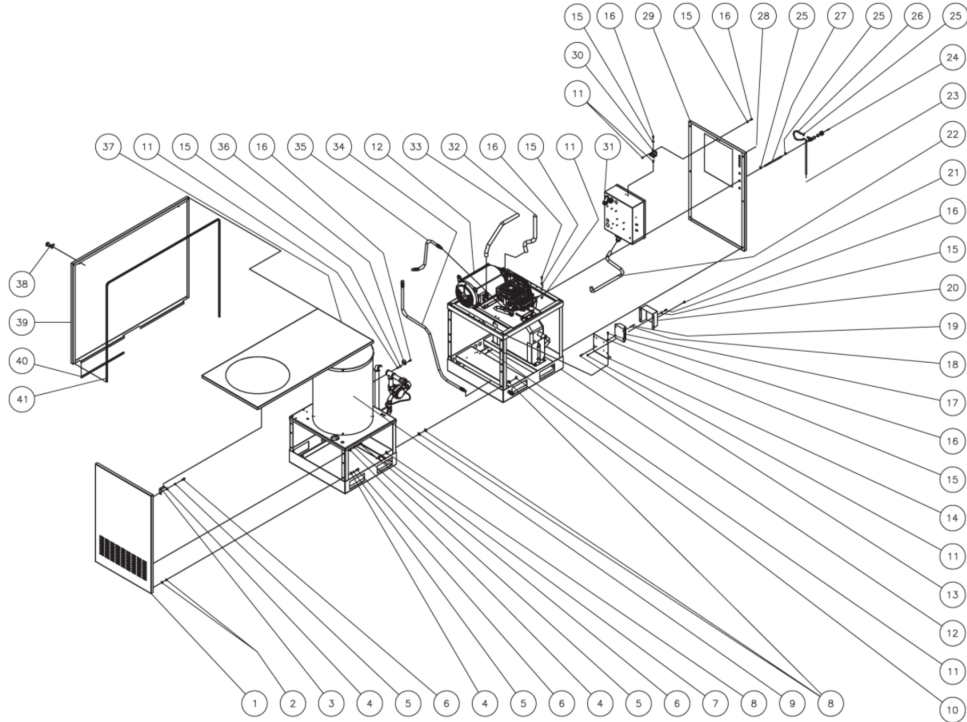




HG-2004-3230 / HG-2004-3230 (sn:15045001-99999999)

## FRAME ASSEMBLY



Id	Item #	Description	Quantity	Rev	Comments
1	20-0640A18	NATURAL GAS SIDE END PANEL	1		
2	28-0003	WASHER	8		
3	13-0102A18	ANGLE SUPPORT	4		
4	28-0022	WASHER	16		
5	29-0007	LOCKWASHER	16		
6	27-0067	BOLT	16		
7	27-0119	BOLT	4		
8	28-0023	FLATWASHER	16		
9	N/A SEP.	BURNER ASSEMBLY (SEE EXPLODED DRAWING)	1		
10	30-0159	LOCKNUT	4		
11	30-0155	LOCKNUT	13		
12	N/A SEP.	MOTOR BASE ASSEMBLY (SEE EXPLODED DRAWING)	1		
13	27-8807	BOLT	2		

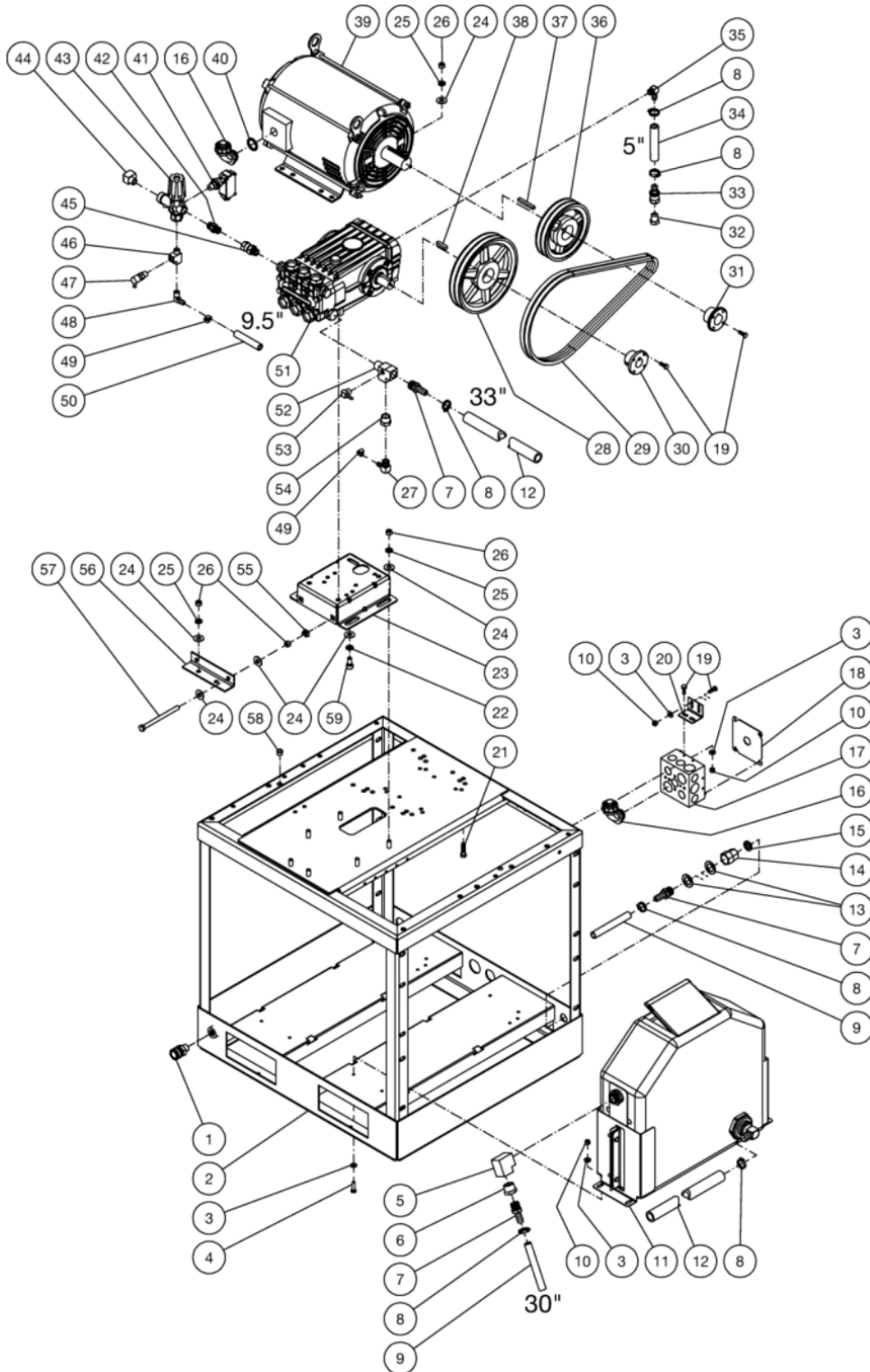
Id	Item #	Description	Quantity	Rev	Comments
14	20-0657A18	BRACKET	1		
15	28-0002	WASHER	13		
16	27-0015	BOLT	13		
17	32-0319	IGNITION MODULAR	1		
18	28-1009	LOCKWASHER	2		
19	30-6001	NUT	2		
20	20-0656A18	IGNITOR COVER	1		
21	9-0092	BUSHING	1		
22	32-0253	CONDUIT *(FOUR FEET REQUIRED)	1		
23	19-0056	DETERGENT STRAINER W/CHECK	1		
24	22-0226	DETERGENT VALVE	1		
25	42-0004	CLAMP WORM	3		
26	15-0021	DETERGENT HOSE *(SIX FEET REQUIRED)	1		
27	15-0079	DETERGENT HOSE *(ONE FOOT REQUIRED)	1		
28	33-0001	GROMMET	6		
29	20-0637A18	NATURAL GAS E-BOX END PANEL	1		
30	20-0626A18	E-BOX BRACKET	1		
31	N/A SEP.	THREE PHASE ELECTRIC BOX ASSEMBLY (SEE EXPLODED DRAWING)	1		
31	N/A SEP.	SINGLE PHASE ELECTRIC BOX ASSEMBLY (SEE EXPLODED DRAWING)	1		
32	32-0486	CONDUIT *(TWO FEET REQUIRED)	1		
33	32-0486	CONDUIT *(TWO FEET REQUIRED)	1		
34	15-0186	HIGH PRESSURE HOSE ASSEMBLY - COIL OUTLET TO OUTLET Q.C.	1		
35	15-0194	HIGH PRESSURE HOSE ASSEMBLY- PUMP OUTLET TO COIL INLET	1		
36	33-0291	HOSE CLAMP	1		
37	20-0638A18	TOP PANEL	1		
38	33-0128	LATCH	4		
39	20-0639A18	NATURAL GAS SIDE PANEL	2		
40	33-0020	TRIMLOCK	4		
41	33-0129	TRIMLOCK W/SEAL	2		

\*MUST ORDER IN ONE FOOT LENGTHS



HG-2004-3230 / HG-2004-3230 (sn:15045001-99999999)

## MOTOR BASE



Id	Item #	Description	Quantity	Rev	Comments
1	17-0007	QUICK CONNECT SOCKET	1		
2	5-0173A18	MOTOR/ PUMP BASE	1		
3	28-0002	WASHER	12		
4	27-0016	BOLT	4		
5	23-0391	ELBOW	1		
6	23-0023	BUSHING	1		
7	23-0045	BARB (2004/3004)	3		
7	23-0045	BARB (1805/3005)	2		
7	23-0036	BARB (1805/3005)	1		
8	42-0011	HOSE CLAMP (2004/3004)	6		
8	42-0011	HOSE CLAMP (1805/3005)	2		
8	42-0003	CLAMP WORM (1805/3005)	2		
9	15-0007	HOSE *(THREE FEET REQUIRED)	1		
10	30-0155	LOCKNUT	8		
11	N/A	FLOAT TANK ASSEMBLY	1		
12	15-0033	HOSE *(THREE FEET REQUIRED) (1805/3005)	1		
12	15-0007	HOSE *(THREE FEET REQUIRED) (2004/3004)	1		
13	28-0051	WASHER	2		
14	23-0001	SWIVEL	1		
15	19-0001	FILTER	1		
16	32-0487	CONDUIT ELBOW	2		
16	32-0488	CONDUIT STRAIGHT 3/4" (1805/2004-0E3G/4G)	1		
16	32-0487	CONDUIT 90 ELBOW 3/4" (1805/2004-0E3G/4G)	1		
17	32-0310	JUNCTION BOX	1		
18	33-0017	BLANK COVER	1		
19	27-0015	BOLT	8		
20	20-0626A18	BRACKET	1		
21	27-0118	BOLT	4		
22	29-0055	LOCKWASHER	4		
23	5-0153A18	PUMP HAT	1		
24	28-0023	WASHER	15		
25	29-0008	LOCKWASHER	10		
26	30-0006	NUT	12		
27	23-0074	ELBOW	1		
28	10-0007	SHEAVE	1		
29	11-0005	BELT (1805/3005)	2		
29	11-0008	BELT - AX40 (2004)	2		
29	11-0057	BELT - AX39 (2004)	2		
30	9-0017	BUSHING	1		

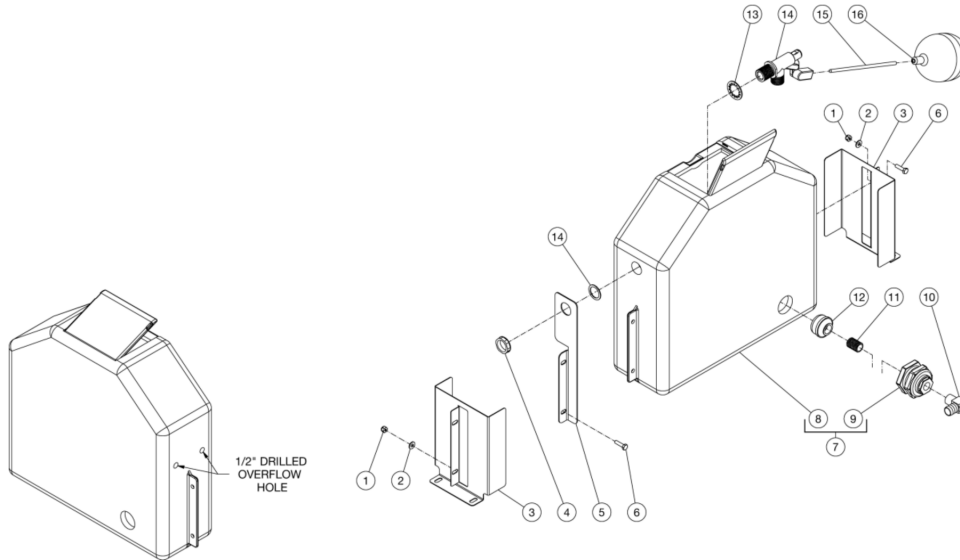
Id	Item #	Description	Quantity	Rev	Comments
31	9-0010	BUSHING (1805/2004)	1		
31	9-0008	BUSHING (3004/3005)	1		
32	23-0411	PLUG	1		
33	23-0360	HOSE BARB	1		
34	15-0305	HOSE *(ONE FOOT REQUIRED)	1		
35	23-0119	ELBOW	1		
36	10-0104	SHEAVE (1805/3005)	1		
36	10-0036	SHEAVE 2AK56H (2004)	1		
36	10-0041	SHEAVE 2AK54H (3004)	1		
37	43-0174	KEY	1		
38	43-0048	KEY	1		
39	2-0110	MOTOR - 8HP (3004-0E3G/4G)	1		
39	2-0107	MOTOR 6HP 230V 1PH ODP (1805/2004-0E2G)	1		
39	2-0108	MOTOR 6HP 230V 3PH ODP (1805/2004-0E3G/4G)	1		
39	2-0109	MOTOR 8HP 230V 1PH ODP (3004-0E2G)	1		
39	2-0111	MOTOR 8HP 575V 3PH ODP (3004-0E5G)	1		
39	2-0112	MOTOR 10HP 230V 3PH ODP (3005-0E3G/4G)	1		
39	2-0113	MOTOR 10HP 575V 3PH ODP (3005-0E5G)	1		
39	2-0124	MOTOR 6HP 200V 1PH ODP (1805/2004-0E8G)	1		
39	2-0125	MOTOR 8HP 200V 1PH ODP (3004-0E8G)	1		
39	2-0127	MOTOR 6HP 200V 3PH ODP (1805/2004-0E9G)	1		
39	2-0129	MOTOR 8HP 200V 3PH ODP (3004-0E9G)	1		
39	2-0130	MOTOR 10HP 200V 1PH ODP (3005-0E8G)	1		
39	2-0131	MOTOR 10HP 200V 3PH ODP (3005-0E9G)	1		
39	2-0132	MOTOR 10HP 230V 1PH ODP (3005-0E2G)	1		
40	26-0314	GASKET	1		
41	22-0171	PRESSURE SWITCH	1		
42	24-0002	NIPPLE	1		
43	8-0361	UNLOADER	1		
44	23-0034	ELBOW	1		
45	24-0037	SWIVEL	1		
46	23-0127	TEE	1		
47	22-0408	HEAT DUMP VALVE	1		
48	23-0123	ELBOW	1		
49	42-0004	CLAMP WORM	2		
50	15-0020	HOSE *(TWO FEET REQUIRED)	1		
51	3-0202	PUMP	1		
52	23-0388	STREET TEE	1		
53	23-0054	ELBOW	1		

<b>Id</b>	<b>Item #</b>	<b>Description</b>	<b>Quantity</b>	<b>Rev</b>	<b>Comments</b>
54	23-0016	REDUCER BUSHING	1		
55	30-6025	CLIP NUT	2		
56	20-0584A18	TENSION BRACKET	1		
57	27-0133	BOLT	2		
58	9-0028	SNAP BUSHING	1		
59	27-8471	BOLT	4		



HG-2004-3230 / HG-2004-3230 (sn:15045001-99999999)

## FLOAT TANK

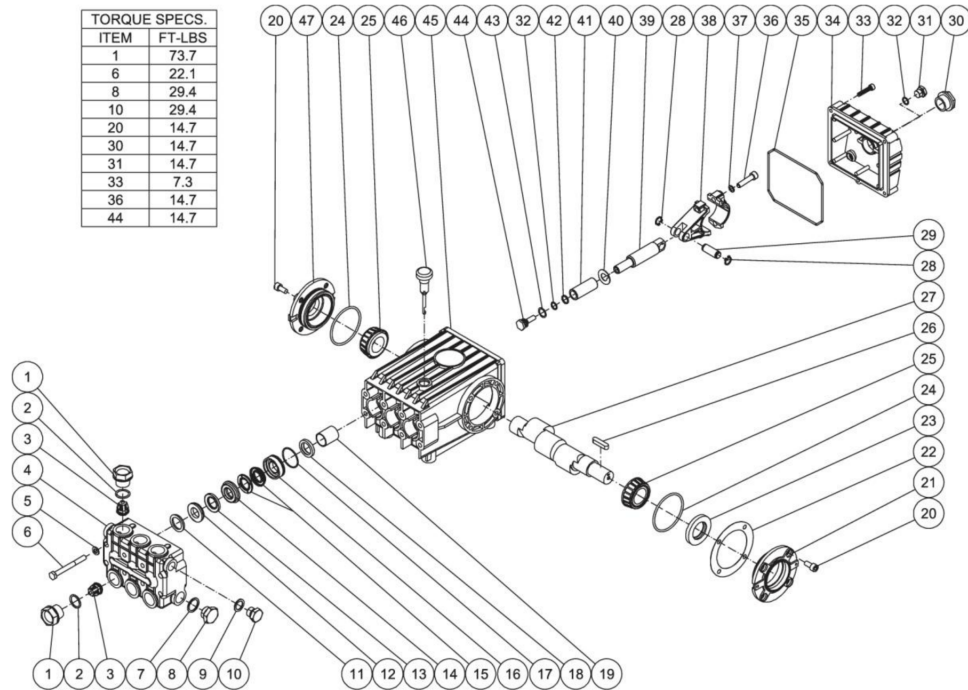


Id	Item #	Description	Quantity	Rev	Comments
1	30-0155	LOCKNUT	4		
2	28-0002	WASHER	4		
3	20-0586A18	BRACKET / FLOAT TANK	2		
4	23-0428	LOCKNUT	1		
5	20-0912A18	BRACKET	1		
6	27-0016	BOLT	4		
7	850-0350	FLOAT TANK ASSEMBLY (INC. 8-9)	1		
8	N/A	FLOAT TANK	1		
9	55-0886	BULKHEAD (INC. 25-0506 GASKET)	1		
10	23-0037	ELBOW (1805_3005)	1		
10	23-0053	ELBOW (2004_3004)	1		
11	23-0019	NIPPLE	1		
12	19-0203	STRAINER	1		
13	29-0074	LOCKWASHER	1		
14	22-0317	FLOAT VALVE	1		
15	31-3320	BALL FLOAT STUD	1		
16	22-0059	FLOAT	1		



HG-2004-3230 / HG-2004-3230 (sn:15045001-99999999)

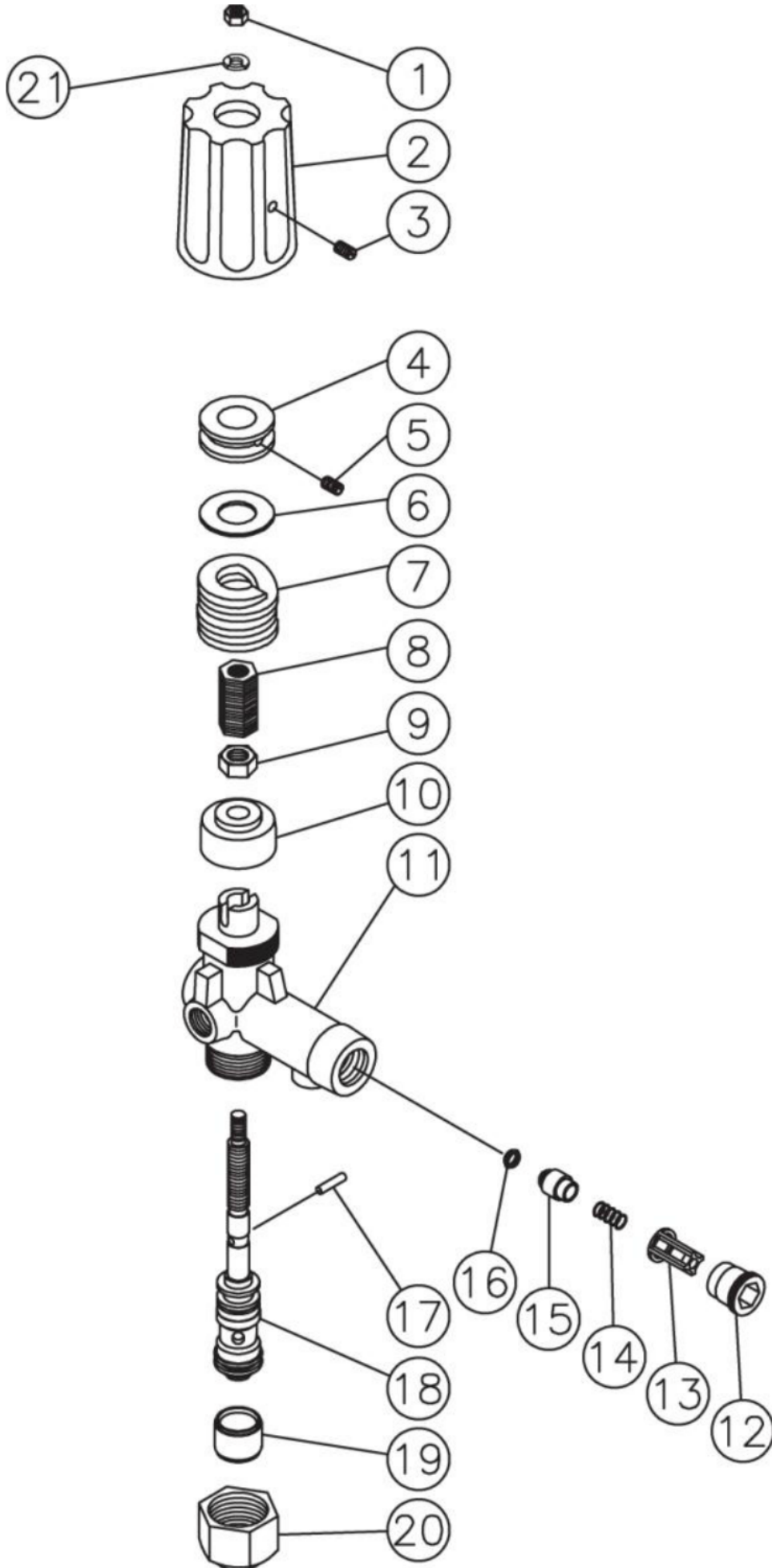
## PUMP ASSEMBLY



Id	Item #	Description	Quantity	Rev	Comments
1	46-0889	VALVE CAP	6		
2	25-0012	O-RING	6		
3	SEE KIT	VALVE (SEE KIT 70-0009)	6		
4	N/A	MANIFOLD	1		
5	28-1039	WASHER	8		
6	27-8185	BOLT	8		
7	28-1038	WASHER	2		
8	39-0019	PLUG	2		
9	28-1002	WASHER	2		
10	39-0018	PLUG	2		
11	70-0030	HEAD RING (SEE KIT 70-0030 AND 852-0122)	3		
12	26-0098	V-PACKING SUPPORT (SEE KIT 70-0147 AND 852-0122)	3		
13	25-0207	O-RING (SEE KIT 70-0147 AND 70-0148 AND 852-0122)	3		
14	46-0659	HIGH PRESSURE INTERMEDIATE SEAL RETAINER (SEE KIT 70-0148)	3		
15	26-0197	PRESSURE SEAL (SEE KIT 70-0147 AND 852-0122)	3		

<b>Id</b>	<b>Item #</b>	<b>Description</b>	<b>Quantity</b>	<b>Rev</b>	<b>Comments</b>
16	46-0057	LOW PRESSURE SEAL RETAINER	3		
17	25-0015	O-RING (SEE KIT 852-0122)	3		
18	26-0047	OIL SEAL	3		
19	9-0029	BUSHING	3		
20	27-8431	BOLT	8		
21	46-0296	CRANKCASE COVER	1		
22	46-0113	SHIM	1		
23	26-0049	OIL SEAL	1		
24	25-0013	O-RING	2		
25	48-0012	BEARING	2		
26	43-0048	KEY	1		
27	46-0888	CRANKSHAFT	1		
28	46-0103	RETAINING RING	6		
29	43-0032	CONNECTING ROD PIN	3		
30	46-0114	OIL LEVEL INDICATOR	1		
31	39-0017	PLUG	1		
32	25-0014	O-RING	4		
33	27-8404	BOLT	5		
34	46-0295	CRANKCASE OPEN COVER	1		
35	25-0339	O-RING	1		
36	27-8435	BOLT	6		
37	29-0154	LOCKWASHER	6		
38	46-0051	CONNECTING ROD	3		
39	46-0056	PISTON ROD	3		
40	46-0146	SLINGER WASHER	3		
41	46-0052	PLUNGER	3		
42	46-0109	BACK-UP RING	3		
43	28-0400	WASHER	3		
44	46-0069	NUT / PISTON	3		
45	46-0047	CRANKCASE	1		
46	46-0144	OIL DIP STICK	1		
47	46-0336	CRANKCASE COVER	1		
KIT	70-0009	VALVES (INC. 6 EACH OF 3)			
KIT	70-0030	HEAD RING (INC. 3 EACH OF 11)			
KIT	70-0147	V-PACKING (INC. 3 EACH OF 12, 13, 15)			
KIT	70-0148	INTERMEDIATE RETAINER (INC. 3 EACH OF 13,14)			
KIT	852-0122	V-PACKING ASSY (INC. 3 EACH OF 11-13, 15, 17)			

# UNLOADER ASSEMBLY

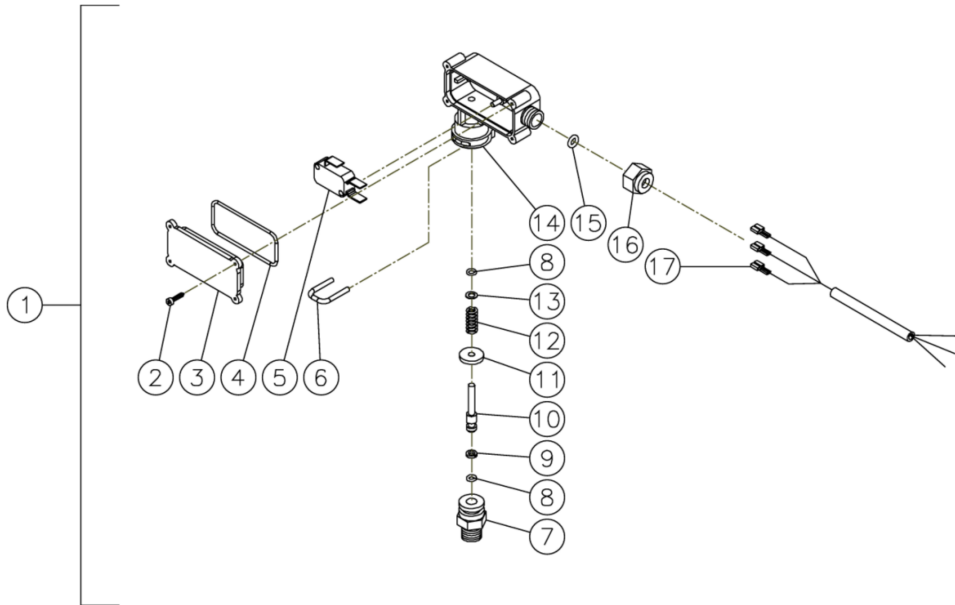


<b>Id</b>	<b>Item #</b>	<b>Description</b>	<b>Quantity</b>	<b>Rev</b>	<b>Comments</b>
1	8-0362	HEX NUT	1		
2	7-0098	ADJUSTMENT KNOB	1		
3	27-4280	SET SCREW	1		
4	8-0364	ADJUSTMENT NUT	1		
5	8-0365	SET SCREW	1		
6	8-0366	GLIDE RING	1		
7	49-0104	SPRING	1		
8	8-0363	ADJUSTMENT INSERT	1		
9	8-0367	HEX NUT	1		
10	8-0368	BUSHING	1		
11	8-0369	UNLOADER BODY	1		
12	8-0269	RETAINER	1		
13	8-0104	CHECK VALVE	1		
14	49-0023	SPRING	1		
15	8-0105	VALVE	1		
16	25-0036	O-RING	1		
17	8-0372	CYLINDER PIN	1		
18	70-0243	PISTON ASSEMBLY	1		
19	8-0371	SPACER	1		
20	8-0157	STOP NUT	1		
21	29-0006	LOCKWASHER	1		



HG-2004-3230 / HG-2004-3230 (sn:15045001-99999999)

## PRESSURE SWITCH



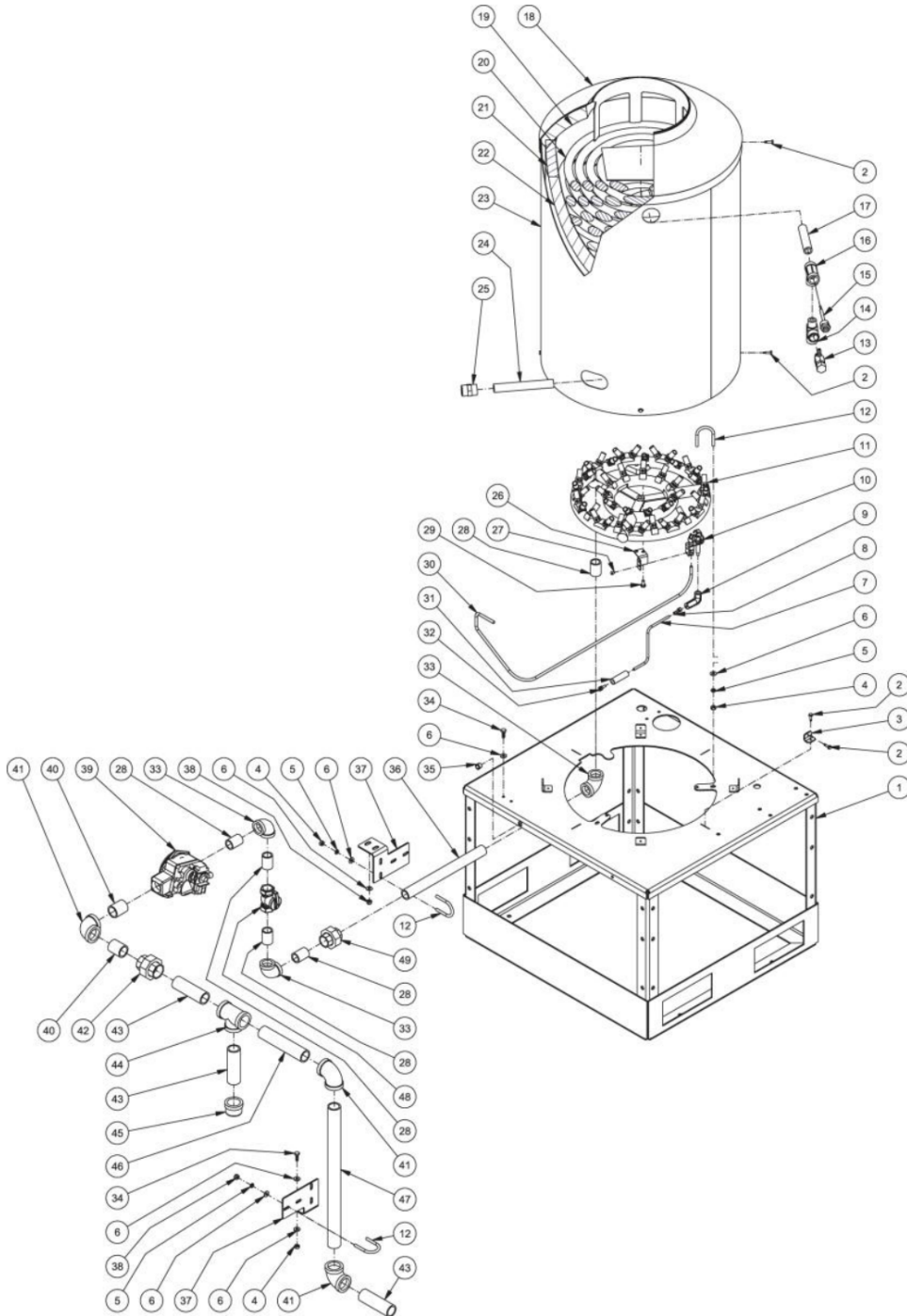
Id	Item #	Description	Quantity	Rev	Comments
1	22-0171	PRESSURE SWITCH- 15 BAR	1		
1	22-0243	PRESSURE SWITCH- 25 BAR	1		
2	N/A	SCREW	4		
3	N/A	COVER	1		
4	N/A Sep.	O-RING (SEE 70-0306)	1		
5	N/A	MICRO SWITCH	1		
6	N/A	RETAINER CLIP	1		
7	N/A	BODY	1		
8	N/A Sep.	O-RING (SEE 70-0306)	2		
9	N/A Sep.	BACK-UP RING (SEE 70-0306)	1		
10	N/A	PISTON	1		
11	N/A	WASHER	1		
12	49-0144	SPRING- 15 BAR	1		
12	49-0145	SPRING- 25 BAR	1		
13	N/A	WASHER	1		
14	N/A	PLASTIC HOUSING	1		

<b>Id</b>	<b>Item #</b>	<b>Description</b>	<b>Quantity</b>	<b>Rev</b>	<b>Comments</b>
15	N/A Sep.	O-RING (SEE 70-0306)	1		
16	N/A	NUT- 15 BAR	1		
16	N/A	NUT- 25 BAR	1		
17	N/A	WIRE ASSEMBLY	1		
KIT	70-0306	O-RING REPAIR KIT (INC. 4, 8-9, 15)			



HG-2004-3230 / HG-2004-3230 (sn:15045001-99999999)

# BURNER ASSEMBLY



Id	Item #	Description	Quantity	Rev	Comments
1	5-0174A18	COIL BASE ASSEMBLY	1		

Id	Item #	Description	Quantity	Rev	Comments
2	27-3064	SCREW	16		
3	20-0651A18	COIL RETAINER CLIP	4		
4	30-0002	HEX NUT	8		
5	29-0006	LOCKWASHER	8		
6	28-0002	WASHER	16		
7	44-0117	IGNITER WIRE	1		
8	44-0119	SPARK PLUG TERMINAL	1		
9	44-0118	BOOT	1		
10	44-0115	PILOT BURNER IGNITOR	1		
11	4-0011	NATURAL GAS ASPERATING RING BURNER	1		
12	31-2008	U-BOLT	4		
13	22-0309	SAFETY RELIEF VALVE	1		
14	24-0242	STREET TEE	1		
15	32-0962	ADJUSTABLE THERMOSTAT	1		
16	24-0055	TEE	1		
17	24-0244	PIPE NIPPLE	1		
18	20-0621A18	DOME ASSEMBLY	1		
19	850-0315	INSULATION DONUT	1		
20	66-0016	HEAT EXCHANGER COIL ASSEMBLY	1		
21	850-0314	INSULATION STRIP	1		
22	850-0313	INSULATION BLANKET	1		
23	20-0634A18	OUTERWRAP ASSEMBLY	1		
24	24-0254	PIPE NIPPLE	1		
25	24-0243	ADAPTER	1		
26	13-0107A01	IGNITOR BRACKET	1		
27	27-2096	SLOT PAN	2		
28	24-0095	CLOSE NIPPLE	5		
29	27-0014	BOLT	2		
30	54-0027	TUBING *(THREE FEET REQUIRED)	1		
31	33-0219	HEAT SHRINK *(ONE FOOT REQUIRED)	1		
32	32-0221	TERMINAL	1		
33	24-0102	ELBOW	3		
34	27-0015	BOLT	4		
35	9-0028	SNAP BUSHING	1		
36	24-0258	PIPE NIPPLE	1		
37	20-0667A18	PLUMBING BRACKET	2		
38	30-0155	LOCKNUT	4		
39	22-0144	NATURAL GAS REGULATING VALVE	1		
40	24-0012	CLOSE NIPPLE	2		

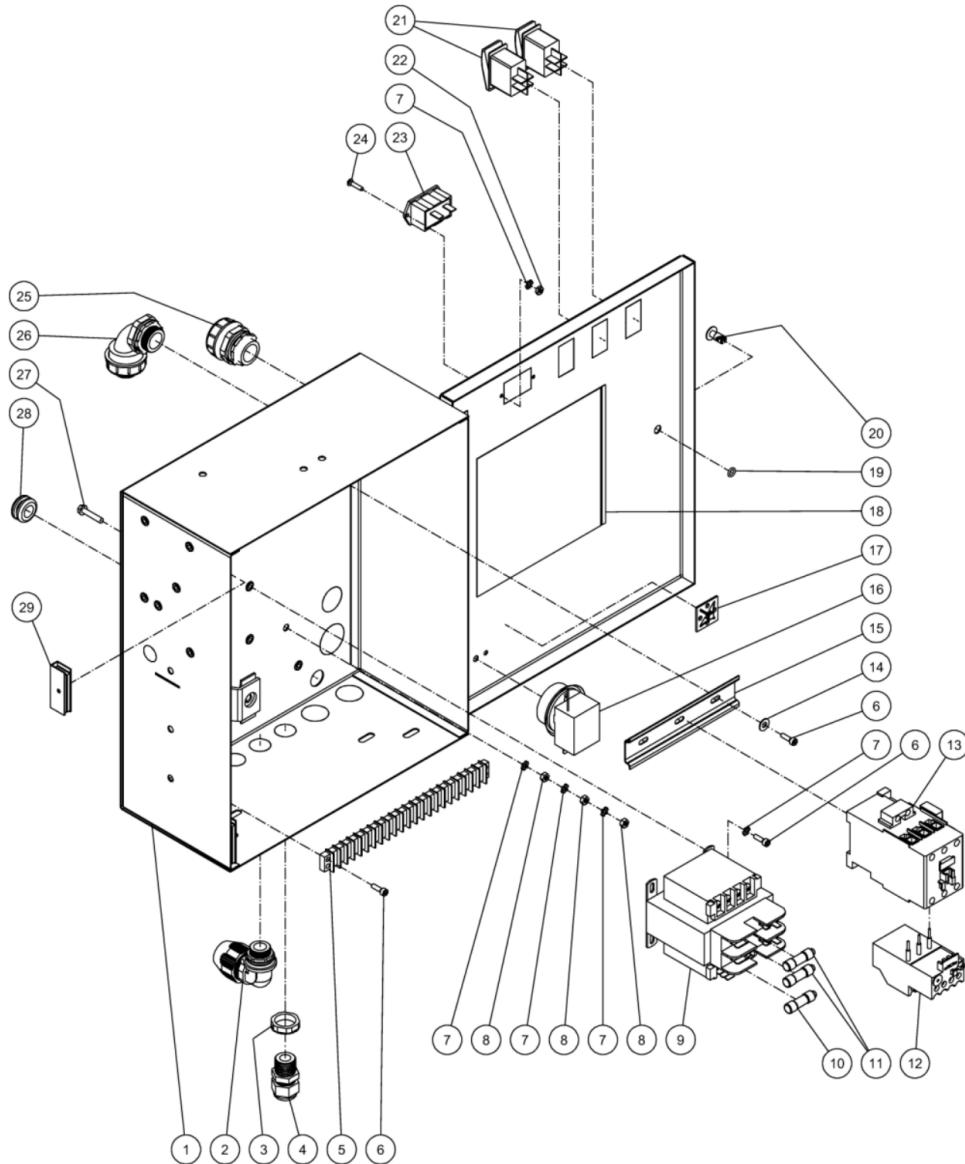
<b>Id</b>	<b>Item #</b>	<b>Description</b>	<b>Quantity</b>	<b>Rev</b>	<b>Comments</b>
41	24-0096	ELBOW	3		
42	24-0259	UNION	1		
43	24-0260	PIPE NIPPLE	3		
44	24-0261	TEE	1		
45	24-0262	CAP	1		
46	24-0097	PIPE	1		
47	24-0263	PIPE NIPPLE	1		
48	22-0336	BALL VALVE	1		
49	24-0101	UNION	1		

\*MUST ORDER IN ONE FOOT LENGTHS



HG-2004-3230 / HG-2004-3230 (sn:15045001-99999999)

# ELECTRIC BOX



Id	Item #	Description	Quantity	Rev	Comments
1	32-0739A18	ELECTRIC BOX	1		
2	32-0254	CONDUIT ELBOW	1		
3	32-0108	ELECTRICAL LOCKNUT	1		
4	32-0437	STRAIN RELIEF	1		
5	32-0463	TERMINAL STRIP	1		

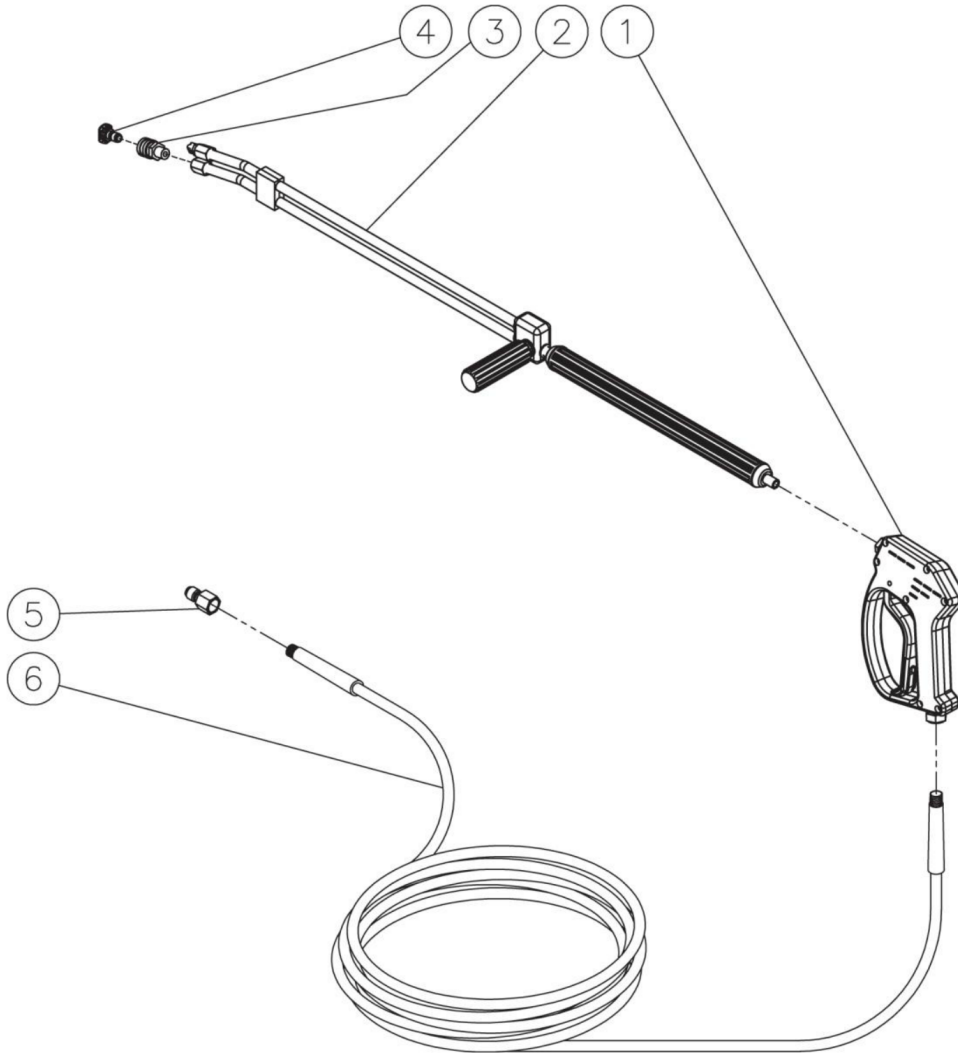
Id	Item #	Description	Quantity	Rev	Comments
6	27-8835	SCREW	8		
7	28-1009	STAR WASHER	9		
8	30-6001	NUT	3		
9	32-0735	TRANSFORMER	1		
9	32-0914	TRANSFORMER (HG-3004/3005-3575 ONLY)	1		
10	32-0743	FUSE	1		
11	32-0741	FUSE (0E3G)	2		
11	32-0742	FUSE (0E9G)	2		
11	32-0467	FUSE (0E5G)	2		
11	32-0740	FUSE (0E4G)	2		
12	32-0483	OVERLOAD RELAY (HG-1805/2004/3004-3230, HG-1805/2004-3208)	1		
12	32-0484	OVERLOAD RELAY (HG-3004/3005-3208, HG-3005-3230)	1		
12	32-0482	OVERLOAD RELAY (HG-3004/3005-3460/3575)	1		
12	32-0481	OVERLOAD RELAY (HG-1805/2004-3460)	1		
13	32-0597	CONTACTOR - 30AMP (HG-1805/2004/3005-3230, HG-1805/2004/3004-3208)	1		
13	32-0327	CONTACTOR - 16 AMP (HG-1805/2004/3004/3005-3460, HG-3004/3005-3575)	1		
13	32-0329	CONTACTOR - 24AMP (HG-3004-3230)	1		
13	32-0328	CONTACTOR - 45 AMP (HG-3005-3208)	1		
14	28-0001	WASHER	2		
15	32-0316	DIN RAIL *(ONE FOOT REQUIRED)	1		
16	32-0962	ADJUSTABLE THERMOSTAT	1		
17	32-0621	MOUNTING BASE	1		
18	41-0184	PLASTIC ZIPLOCK BAG	1		
19	25-0209	O-RING	1		
20	33-0197	FASTENER	1		
21	32-0731	ROCKER SWITCH	2		
22	30-0052	NUT (HX-0106 OPTION)	2		
23	32-0668	HOUR METER (HX-0106 OPTION)	1		
24	27-8881	SCREW (HX-0106 OPTION)	2		
25	32-0488	CONDUIT STRAIGHT	1		
26	32-0487	CONDUIT ELBOW	1		
27	27-8807	BOLT	1		
28	33-0001	GROMMET	1		
29	33-0390	MAGNETIC CATCH	1		

\*MUST ORDER IN ONE FOOT LENGTHS



HG-2004-3230 / HG-2004-3230 (sn:15045001-99999999)

## GUN/WAND/HOSE



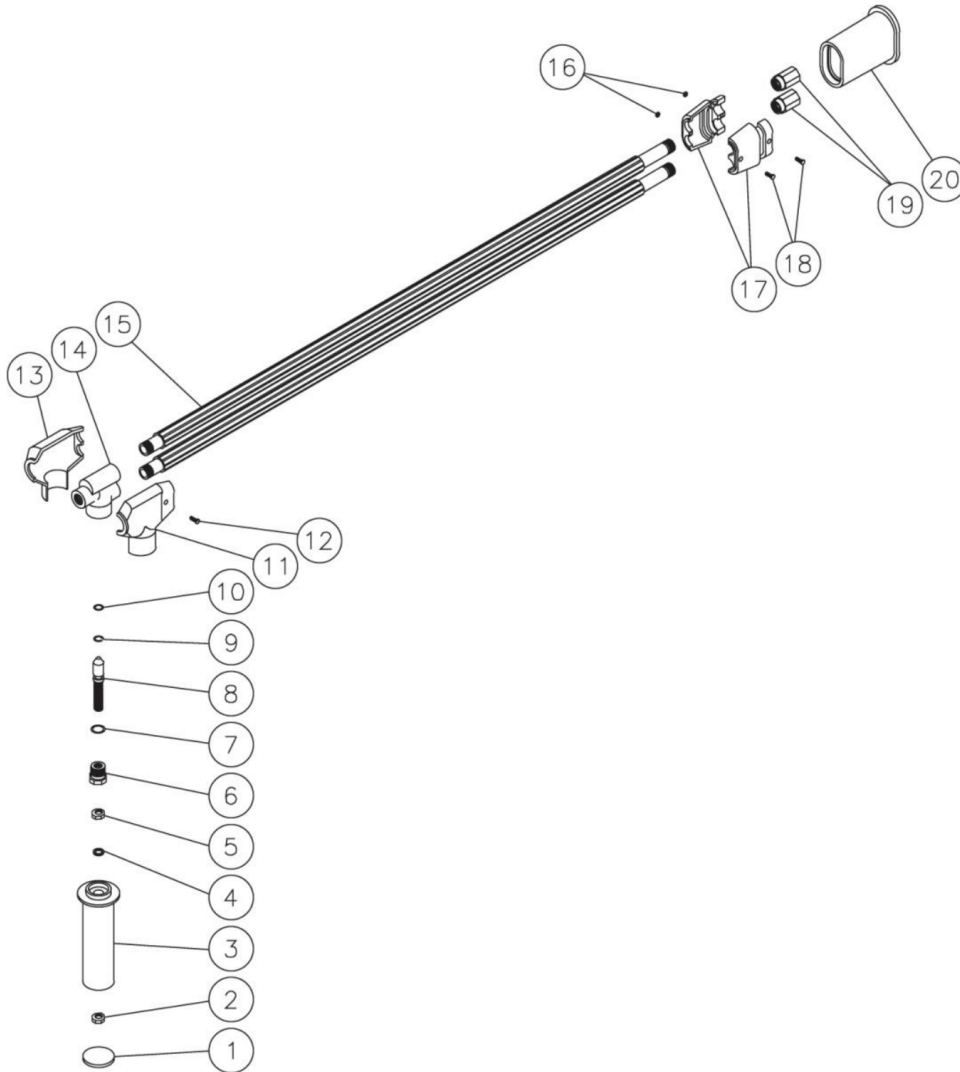
Id	Item #	Description	Quantity	Rev	Comments
1	16-0446	GUN ASSEMBLY	1		
2	16-0417	DUAL LANCE 48" (3005)	1		
2	16-0416	DUAL LANCE 36" (1803/2004/3004)	1		
3	17-0028	QUICK CONNECT SOCKET	1		
4	18-0402	NOZZLE- 0004.5 (3004)	1		
4	18-0403	NOZZLE- 1504.5 (3004)	1		
4	18-0404	NOZZLE- 2504.5 (3004)	1		
4	18-0405	NOZZLE- 4004.5 (3004)	1		

<b>Id</b>	<b>Item #</b>	<b>Description</b>	<b>Quantity</b>	<b>Rev</b>	<b>Comments</b>
4	18-0410	NOZZLE- 0005.5 (3005)	1		
4	18-0411	NOZZLE- 1505.5 (3005)	1		
4	18-0412	NOZZLE- 2505.5 (3005)	1		
4	18-0413	NOZZLE- 4005.5 (3005)	1		
4	18-0414	NOZZLE- 0006 (2004)	1		
4	18-0415	NOZZLE- 1506 (2004)	1		
4	18-0416	NOZZLE- 2506 (2004)	1		
4	18-0417	NOZZLE- 4006 (2004)	1		
4	18-0007	NOZZLE- 0007 (1805)	1		
4	18-0008	NOZZLE- 1507 (1805)	1		
4	18-0009	NOZZLE- 2507 (1805)	1		
4	18-0032	NOZZLE- 4007 (1805)	1		
5	17-0006	QUICK CONNECT PLUG	1		
6	15-0166	HIGH PRESSURE HOSE ASSEMBLY 4500 PSI	1		
6	15-0146	HIGH PRESSURE HOSE ASSEMBLY 3000 PSI	1		



HG-2004-3230 / HG-2004-3230 (sn:15045001-99999999)

## ANGLED DUAL LANCE



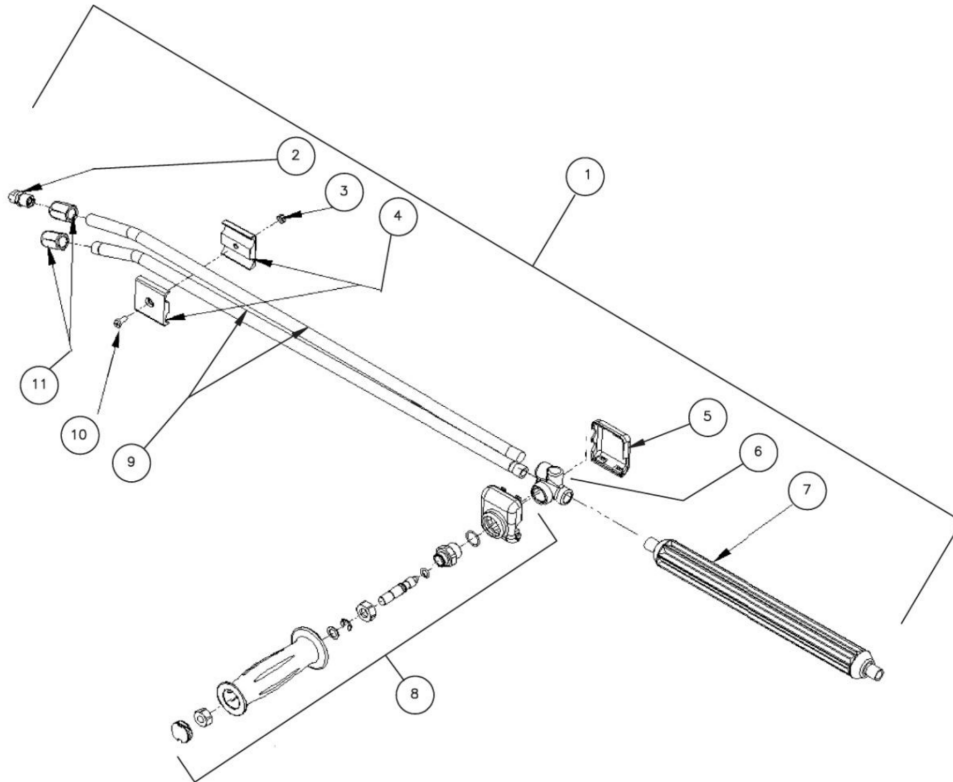
Id	Item #	Description	Quantity	Rev	Comments
1	16-0312	HANDLE PLUG	1		
2	30-3002	HEX NUT	1		
3	16-0313	HANDLE	1		
4	28-1021	WASHER	1		
5	30-3010	HEX NUT	1		
6	23-0271	HEX ADAPTER	1		
7	25-0351	O-RING	1		

<b>Id</b>	<b>Item #</b>	<b>Description</b>	<b>Quantity</b>	<b>Rev</b>	<b>Comments</b>
8	16-0314	PISTON STEM	1		
9	25-0352	BACK-UP RING	1		
10	25-0353	O-RING	1		
11	16-0315	UPPER PROTECTOR	1		
12	27-8862	SELF TAPPING SCREW	1		
13	16-0316	LOWER PROTECTOR	1		
14	23-0272	BODY	1		
15	N/A	ANGLED LANCE W/PROTECTIVE COVER	2		
16	30-3060	HEX NUT	2		
17	16-0318	PIPE CLAMP	2		
18	27-8861	SCREW	2		
19	24-0127	NIPPLE	2		
20	16-0319	NOZZLE PROTECTOR	1		
	70-0143	O-RING KIT (INC. 7, 9, 10)			



HG-2004-3230 / HG-2004-3230 (sn:15045001-99999999)

## DUAL LANCE



Id	Item #	Description	Quantity	Rev	Comments
1	16-0416	DUAL LANCE ASSEMBLY - 36" (INC. 2-11)	1		
1	16-0417	DUAL LANCE ASSEMBLY - 48" (INC. 2-11)	1		
2	18-0110	DETERGENT NOZZLE	1		
3	30-6001	NUT	1		
4	16-0420	CLAMP	2		
5	N/A Sep.	LOWER VALVE COVER (SEE 16-0416 OR 16-0417)	1		
6	N/A Sep.	HOUSING (SEE 16-0416 OR 16-0417)	1		
7	16-0419	LANCE	1		
8	70-0419	HANDLE REPAIR KIT	1		
9	N/A Sep.	LANCE (SEE 16-0416)	2		
9	N/A Sep.	LANCE (SEE 16-0417)	2		
10	27-8196	SCREW	1		

Id	Item #	Description	Quantity	Rev	Comments
11	24-0280	NOZZLE ADAPTER	2		