

OPERATION AND PARTS MANUAL



SP3 “STREET PRO” PROFESSIONAL SLAB SAW 35 HP WISCONSIN DIESEL ENGINE MODELS SP303516, SP303520, SP303526 SP303530

Revision #3 (09/29/06)

THIS MANUAL MUST COMPANY THE EQUIPMENT AT ALL TIMES.

SUGGESTED SPARE PARTS

MQ SP-3035 CONCRETE SAW WITH WISCONSIN 35
HP AIR-COOLED DIESEL ENGINE

1 to 3 Units

Qty.	P/N	Description
1	300000-1	FILTER, AIR, ELEMENT, PRIMARY
1	300000-2	FILTER, AIR ELEMENT, SAFELY
1	306004	FILTER, OIL, WISCONSIN 35 HP
1	306006	FILTER, TRANSAXLE
1	304000	FILTER, FUEL, WISCONSIN 35 HP
1	520006	V-BELT, 6 3VX425 (GOODYEAR)
1	521005	V-BELT, AX-31 (GOODYEAR)
1	15503	COMFORT GRIP KNOB
1	H9406	NIGHT LIGHT BULB
1	400000	LIFT PUMP SOLENOID
1	362002	TUBE, WATER, RH SIDE
1	362003	TUBE, WATER, LH SIDE
1	200019	FLAP, MUD, BLADEGUARD
1	406000	SWITCH, ROCKER
2	180000	BLADE COLLAR, INSIDE
	180001	BLADE COLLAR ASSY, OUTER
2	980705	PIN, DOWEL 3/8 X 1-1/4"
2	582012	BUSHING, QUICK DISCONNECT
SPINDLE		
1	915315	SCREW, HHC 5/8-11 X 3 GRD8
1	915316	SCREW, HHC 5/8 -11 X 3 LH GR8
1	25832	ROPE ASSY, FRONT POINTER
1	35131	MOUNTING HORN, AXLE
1	25839	FRONT WHEEL ASSY
2	500011	REAR WHEEL
2	528038	REAR WHEEL KEYLESS BUSHING
1	29509	CAP, FUEL TANK 2.25 DIA, ONE WAY VALVE



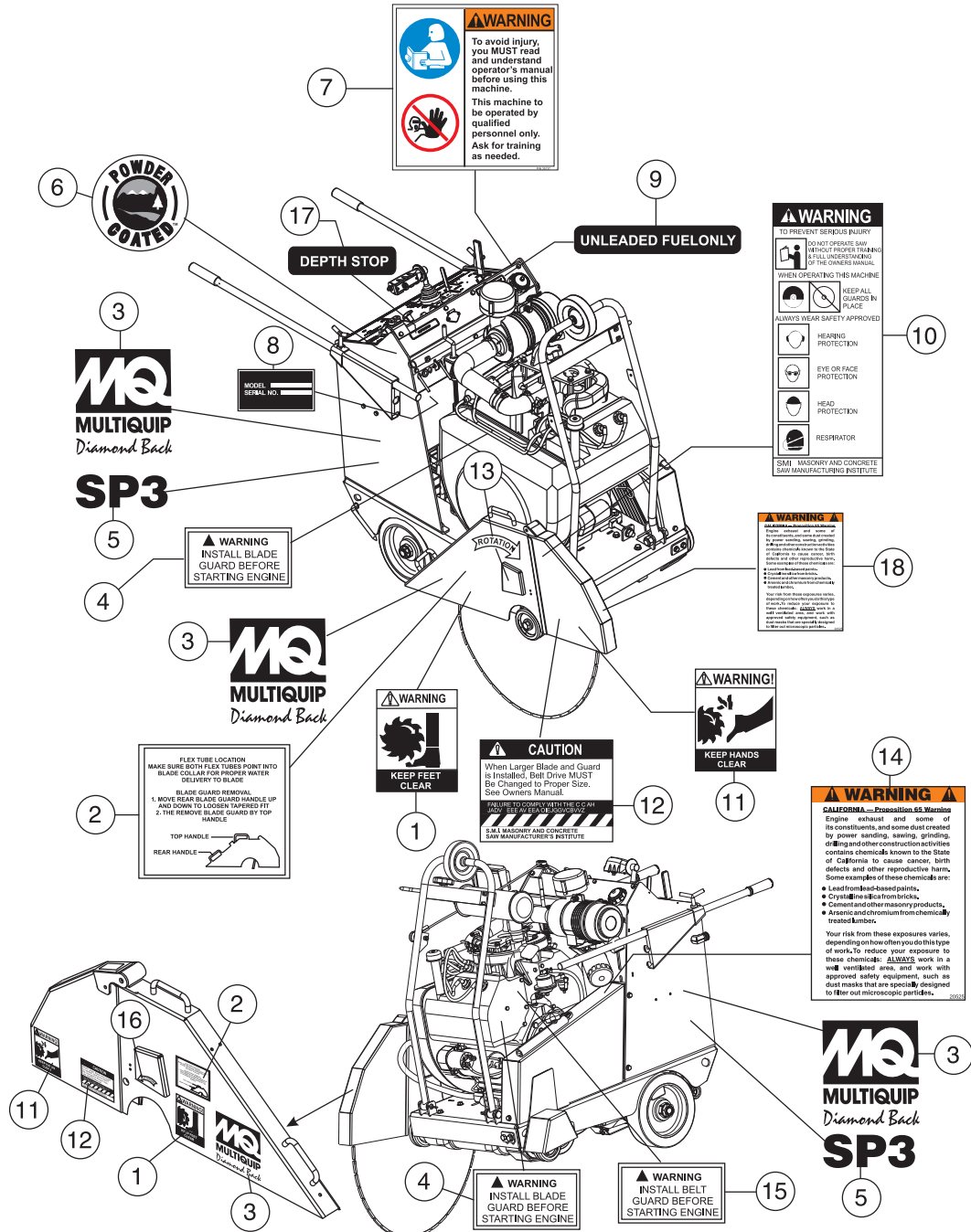
NOTE

Part numbers on this Suggested Spare Parts List may supercede/replace the P/N's shown in the test pages of this manual.

COMPONENT DRAWINGS

Nameplate and Decals Assy.

The Multiquip SP-3035 Saw is equipped with a number of operation and safety decals. Should any of these decals become unreadable, replacements can be obtained from your dealer.

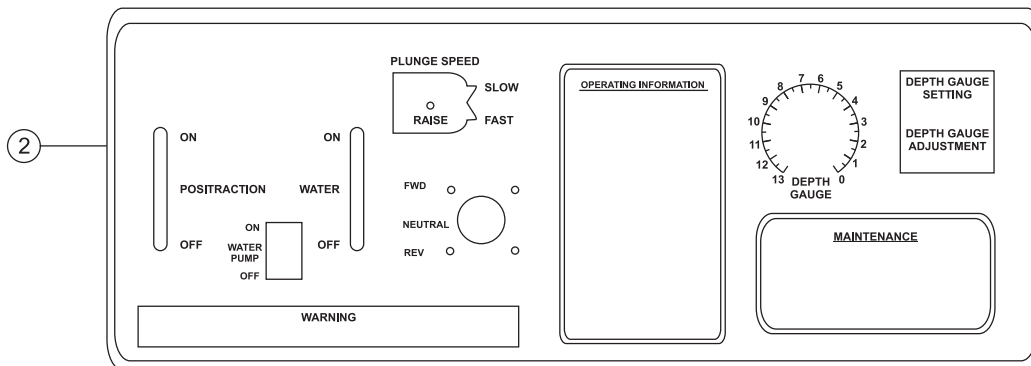
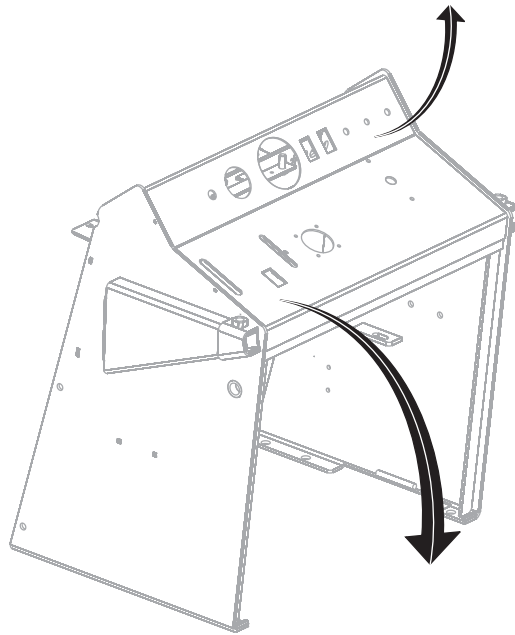
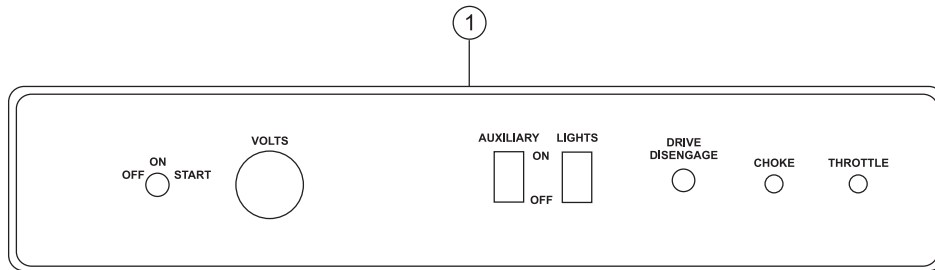


Nameplate and Decals Assy.

<u>NO</u>	<u>PART NO</u>	<u>PART NAME</u>	<u>QTY.</u>	<u>REMARKS</u>
1	25250-001	DECAL, WARNING, KEEP FEET CLEAR	2	
2	606004	DECAL, BLADE GUARD REMOVAL	2	
3	25782	DECAL, MQ DIAMOND LOGO	4	
4	21302	DECAL, WARNING, INSTALL BLADE GUARD	2	
5	25785	DECAL, SP3 LOGO	3	
6	13118	DECAL, POWDER COATED	1	
7	35137	DECAL, WARNING, READ MANUAL	1	
8	1997	DECAL, NAMEPLATE	1	
9	M600021	DECAL, UNLEADED FUEL ONLY	1	
10	22122-001	DECAL, WARNING, SERIOUS INJURY	1	
11	25249-001	DECAL, WARNING, KEEP HANDS CLEAR	2	
12	23330-001	DECAL, CAUTION, DRIVE BELT	1	
13	25491	DECAL, ROTATION, CW	1	
14	20525	DECAL, WARNING, PROPOSITION 65	1	
15	604001	DECAL, WARNING, INSTALL BELT GUARD	1	
16	25678	DECAL, ROTATION, CCW	1	

MQ SP-3035 Concrete Saw — Deck/Gauge Panel Assy.

Deck/Gauge Panel Assy.

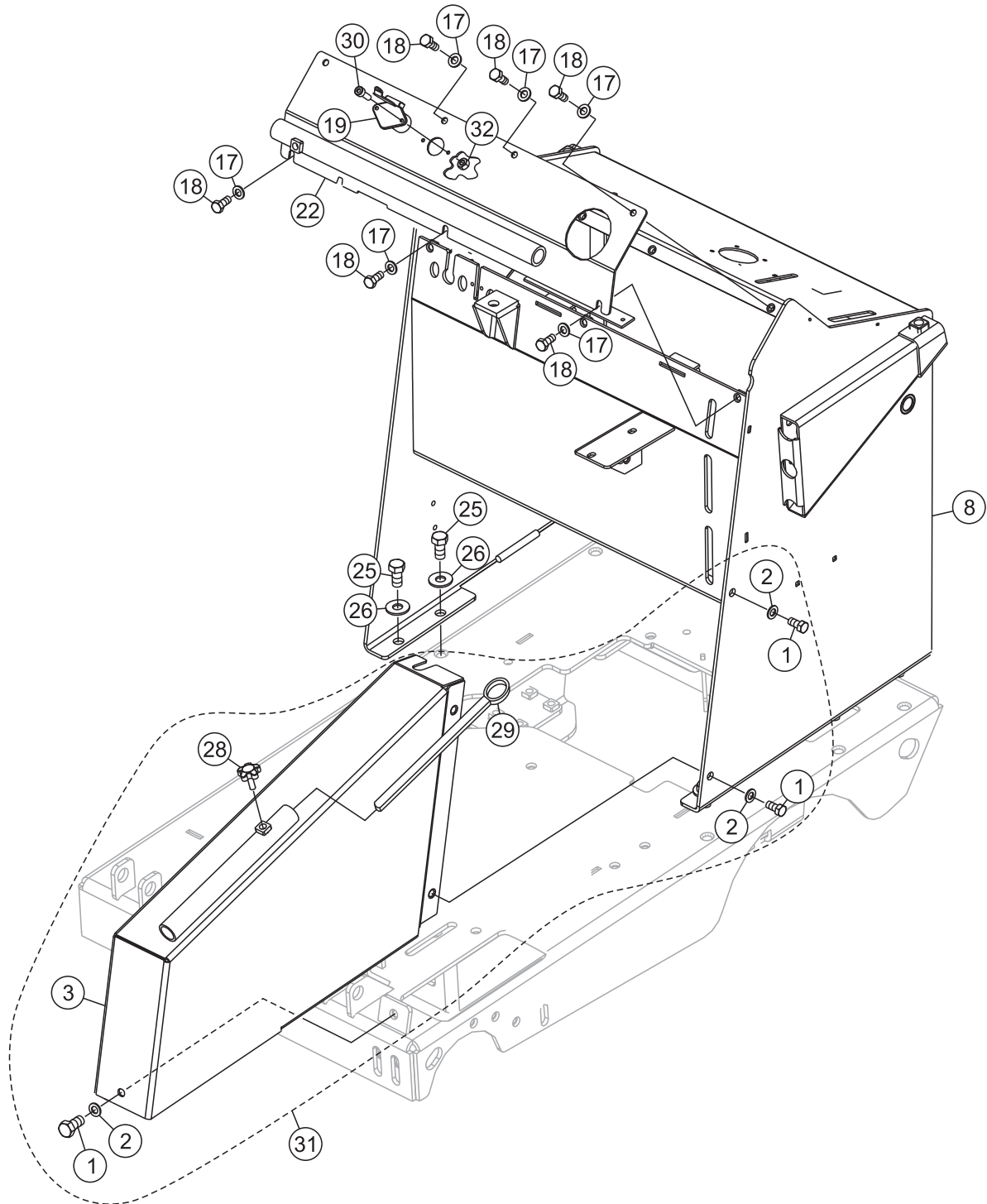


MQ SP-3035 Concrete Saw — Deck/Gauge Panel Assy.

Deck/Gauge Panel Assy.

<u>NO</u>	<u>PART NO</u>	<u>PART NAME</u>	<u>QTY.</u>	<u>REMARKS</u>
1	M600020	GAUGE PANEL	1	
2	M600019	DECK PANEL	1	

Console/Sheet Metal Assy.

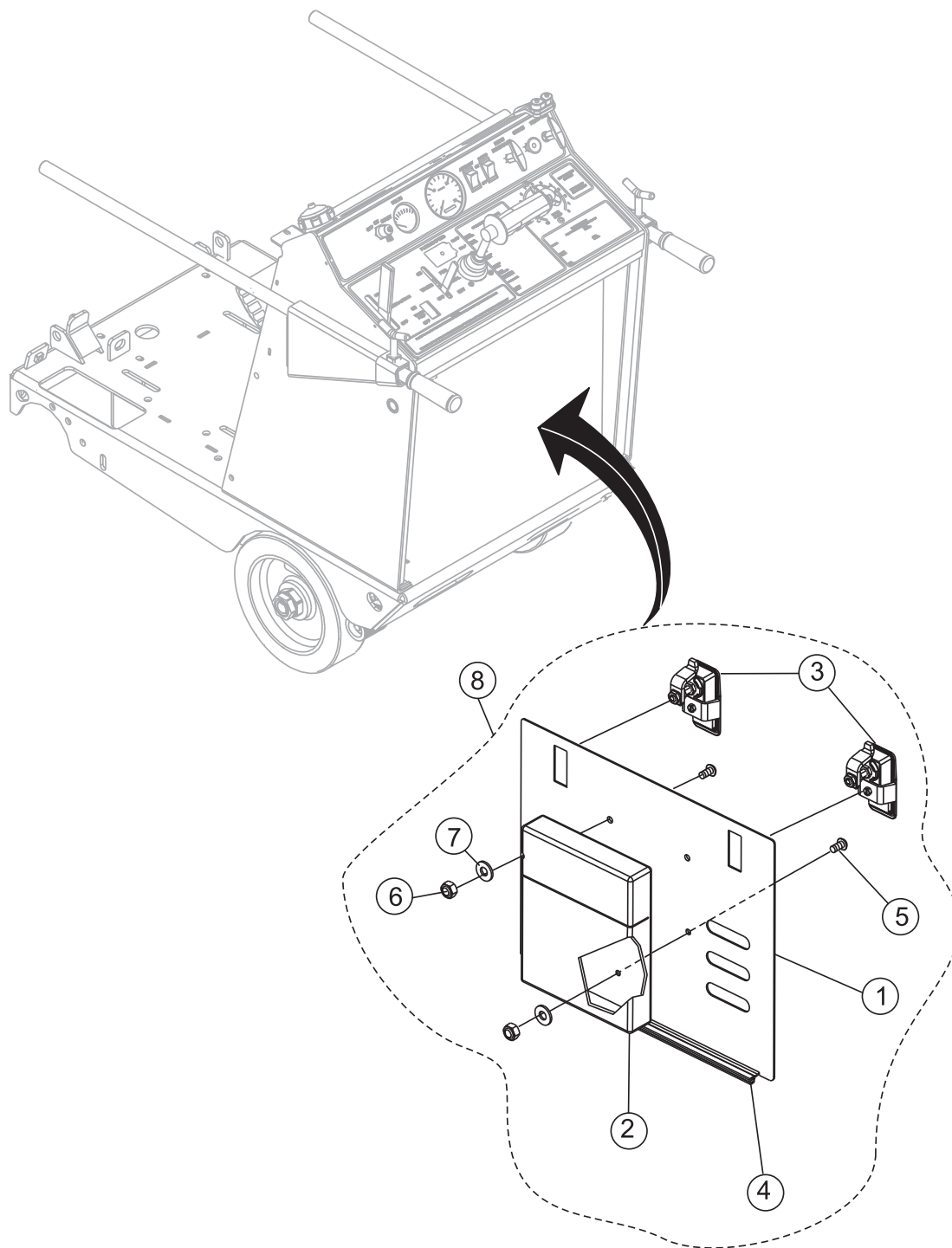


MQ SP-3035 Concrete Saw — Console/Sheet Metal Assy.

Console/Sheet Metal Assy.

<u>NO</u>	<u>PART NO</u>	<u>PART NAME</u>	<u>QTY.</u>	<u>REMARK</u>
1#	0166	SCREW, HHC 3/8-16 X 7/8	3	
2#	933242	WASHER, FLAT SAE 3/8 GRD 9 YZ	3	
3#	204007	BELT GUARD	1	
8	25796	CONSOLE, RED	1	
18	0655	SCREW, HHC 5/16-18 X 3/4	6	
19	25865	HARNESS, LIGHT KIT, SOCKET	1	
22	25805	PANEL, CONSOLE COVER, RED	1	
25	3214	SCREW, HHC 1/2-13 X 1-1/4	6	
26	933244	WASHER, FLAT SAE 1/2 GRD 9 YZ	6	
28#	15503	KNOB, COMFORT GRIP STAR, 3/8-16 X 1	1	
29#	584011	WRENCH, 15/16" BLADE CLOSED END	1	
30	923114	SCREW, SHC 8-32 X 1/2	2	
31	35180	BELT GUARD ASSY	1	INCLUDES ITEMS W/#
32	13287	NUT, NYLOC 8-32	2	

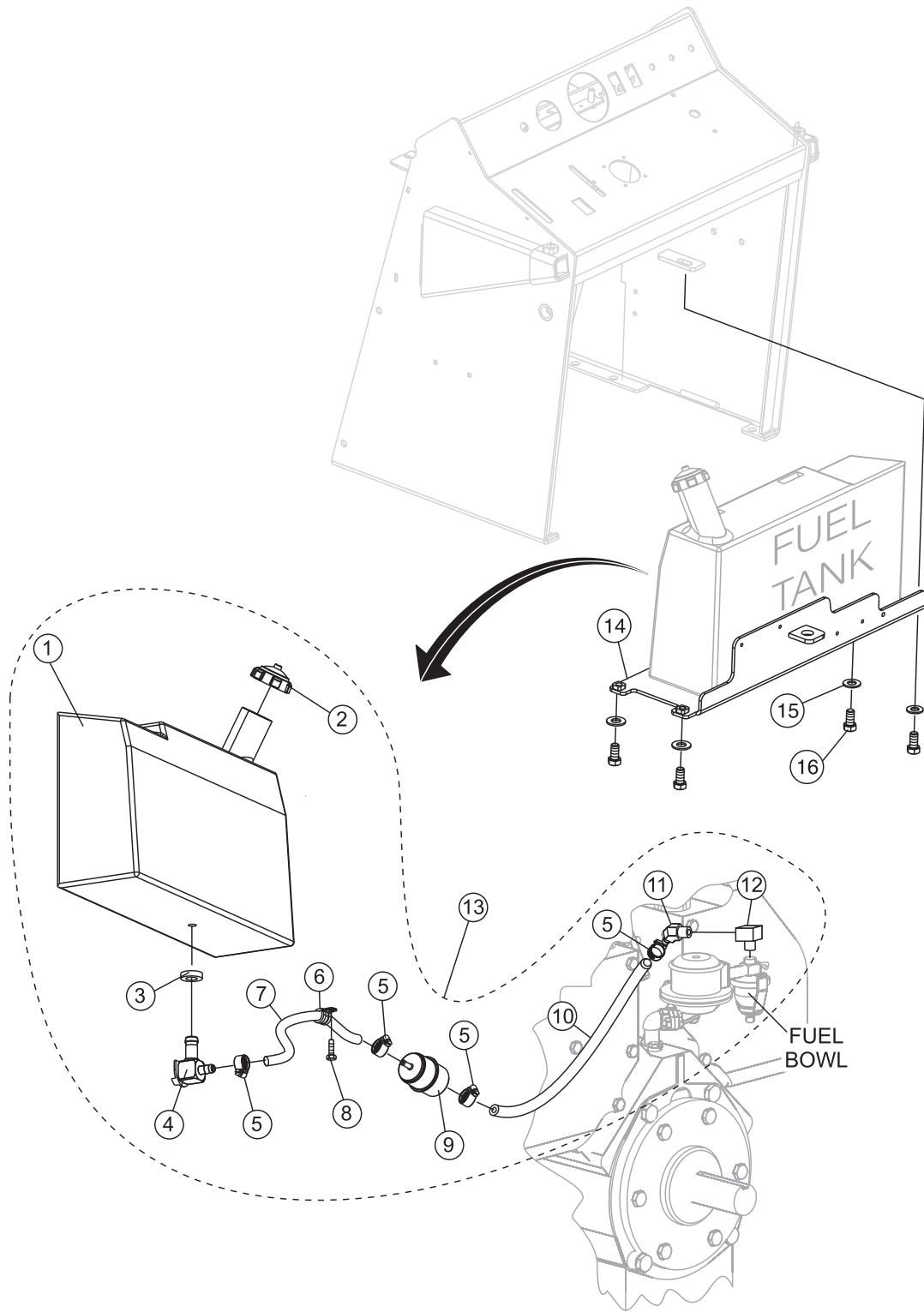
Access Panel Assy.



Access Panel Assy.

<u>NO</u>	<u>PART NO</u>	<u>PART NAME</u>	<u>QTY.</u>	<u>REMARK</u>
1#	25795	PANEL, REAR CONSOLE, RED	1	
2#	29057	DOCUMENT BOX, CP90007-07	1	
3#	560020	LATCH, REAR SAW ACCESS PANEL	2	
4#	577002	WEATHER STRIP, REAR SAW ACCESS PANEL	1.75 FT.	
5#	12287	SCREW, THP 1/4-20 X 3/4" SS	4	
6#	10024	NUT, NYLOCK 1/4-20	4	
7#	10930	WASHER, FENDER, 1/4 X 1-1/4"	4	
8	25794	PANEL ASSY., REAR CONSOLE, RED	1.....	INCLUDES ITEMS W/#

Fuel Tank Assy.



Fuel Tank Assy.

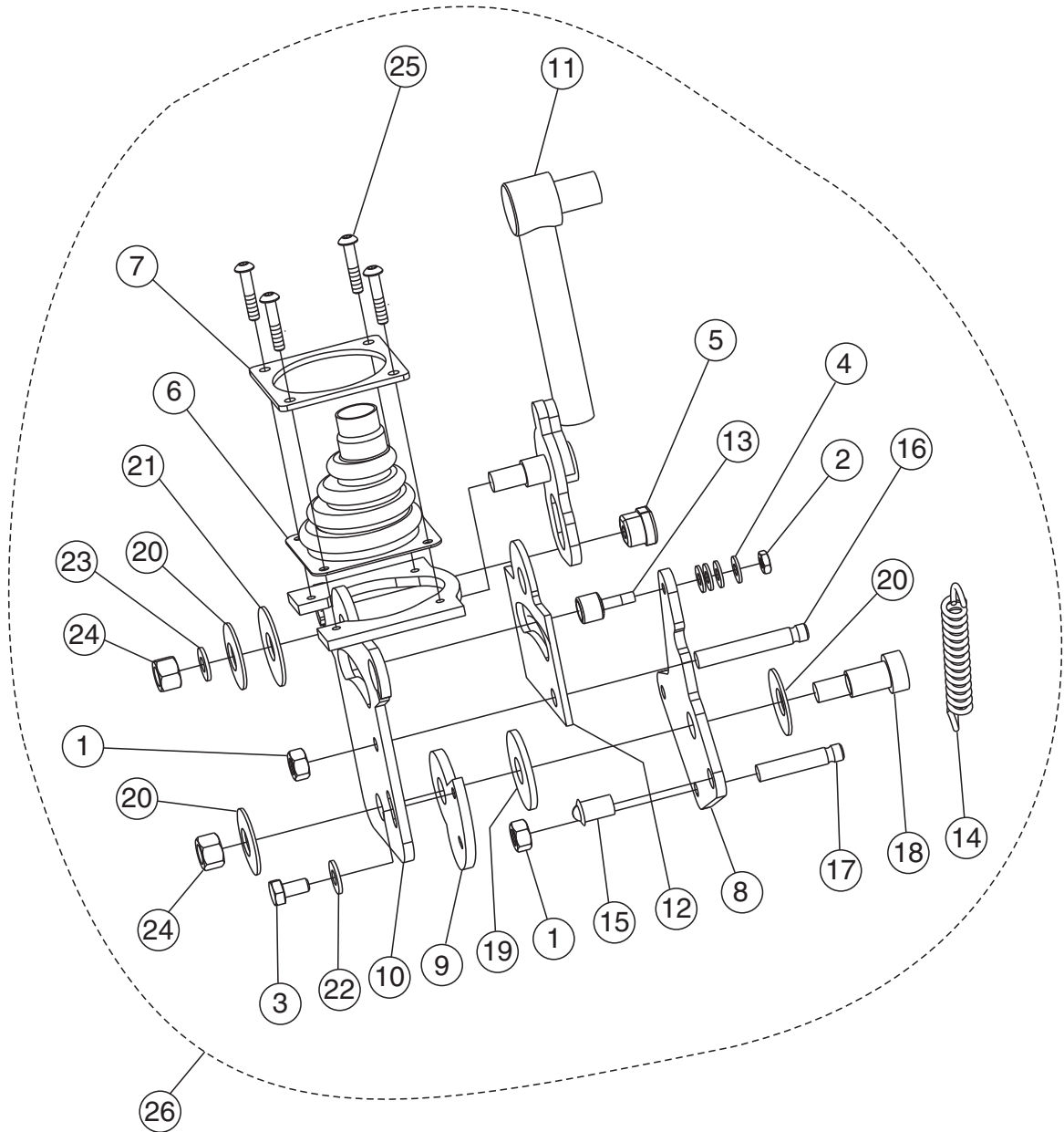
<u>NO</u>	<u>PART NO</u>	<u>PART NAME</u>	<u>QTY.</u>	<u>REMARK</u>
1#	1400003	TANK, FUEL	1	
2#	29509	CAP, FUEL TANK 2.25" DIA. ONE WAY VALVE	1	
3#	19633	BUSHING, RUBBER FUEL DAPCO 10672	1	
4#	446005	VALVE, FUEL ON/OFF 1/4"	1	
5#	19473	CLAMP, HOSE WORM #2	4	
6#	35022	CLAMP, LOOP CUSHIONED #8	1	
7#	35059	HOSE, FUEL .250 ID, 12"	1	
8#	2295	SCREW, HHC 1/4-20 X 7/8"	1	
9#	304000	FILTER, FUEL, WISCONSIN	1	
10#	35060	HOSE, FUEL .250 ID, 11"	1	
11#	370626	FITTING, 45° 4BARB-1/8" MP	1	
12#	367216	FITTING, 90°-1/8" FP-1/8" MP	1	
13	25831	FUEL TANK ASSY	1	INCLUDES ITEMS W/#
14	25801	MOUNT, FUEL TANK	1	
15	933242	WASHER, FLAT SAE 3/8" GD9	4	
16	4196	SCREW, SHC 8-32 X 1/2"	4	

MQ SP-3035 Concrete Saw — F-N-R Control Handle Assy.

F-N-R Control Handle Assy.

<u>NO</u>	<u>PART NO</u>	<u>PART NAME</u>	<u>QTY.</u>	<u>REMARK</u>
1	560030	F-N-R CONTROL HANDLE ASSY.	1	INCLUDES ITEMS W/#
2#	560028-6	SCREW, #6-32 X 3/8	5	
3#	5600028-8	WASHER, FLAT #4 NYLON	5	
4#	560028-4	RUBBER BOOT	2	
5#	560028-3	PLATE, SIDE SWITCH	1	
6#	560028-5	SWITCH ASSEMBLY	2	
7#	560028-1	HANDLE HOUSING	1	
8#	60118	WIRE, F-N-R	1	
9#	925381	SCREW, SET 1/4-20 X 3/8	1	
10#	560028-2	PLATE, FRONT SWITCH	1	
11	35176	F-N-R CONTROL ASSY.	1	INCLUDES ITEMS W/%
12%	25627	F-N-R CONTROL	1	
13%	405070	SEAL, WEATHERPACK	4	
14%	405046	CONNECTOR, MALE	1	
15%	12223	TERMINAL WEATHERPACK	4	
16%	6904	NUT, HEX FINISH 1/4-28 ZINC	4	
17%	580001	ROD END, 1/4-20 FEMALE RH	2	
18%	440006	CABLE, CONTROL 40" X 2" STROKE	1	
19%	120077	MOUNT TRANSAXLE CTRL. CABLE	1	
20%	565006	SPRING, CTRL. CABLE TENSIONING	1	
21%	915003	SCREW, HHC 1/4-20 X 3/4 GRD. 8	1	
22%	584044	RETAINER, FNR CABLE SPRING	1	
23%	2295	SCREW, HHC 1/4-20 X 7/8	1	
24%	440005	PLATE, F-N-R PINTLE CONTROL	1	
25%	933240	WASHER, FLAT SAE 1/4" GRD. 9	1	

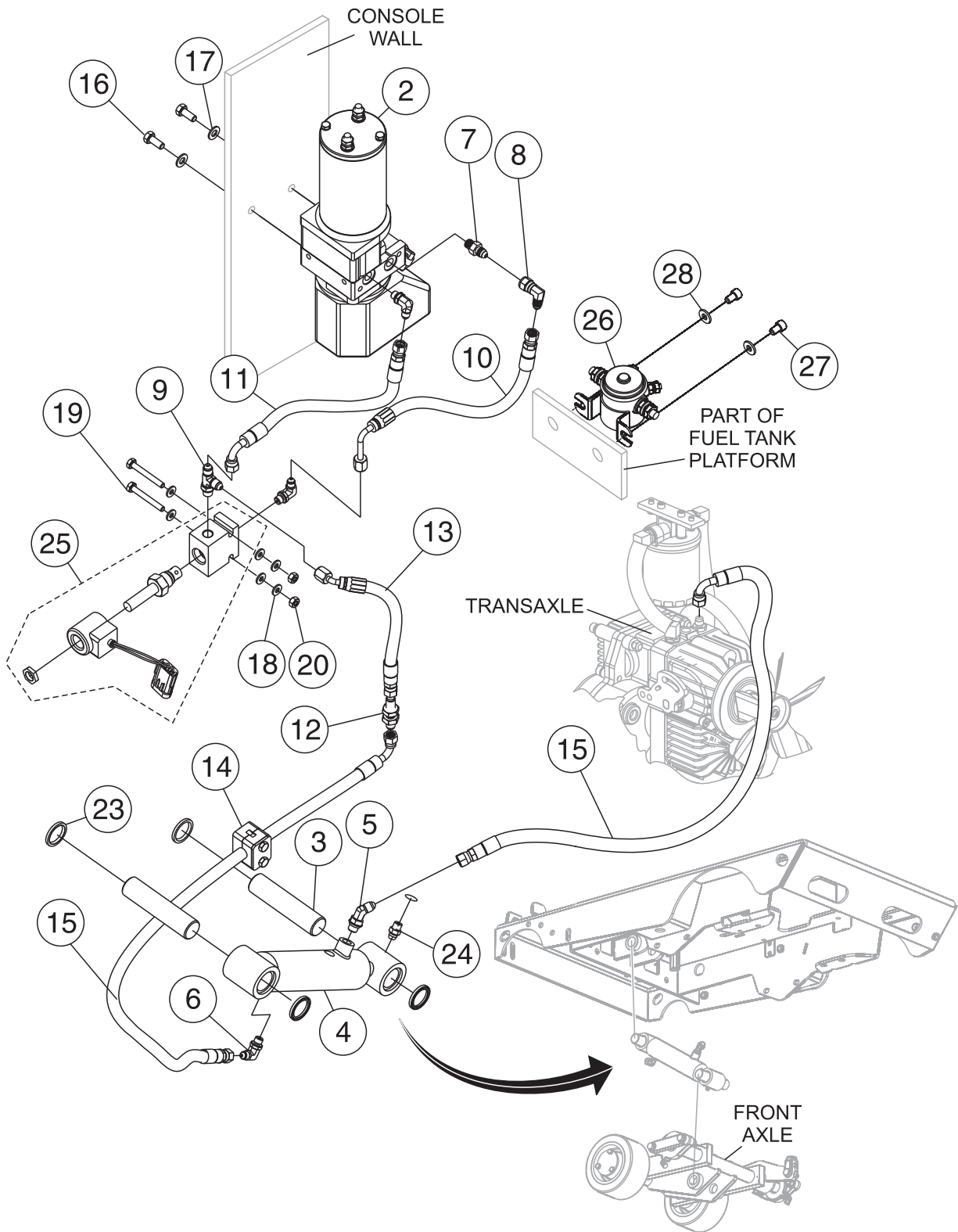
Joystick Mounting Assy.



Joystick Mounting Assy.

<u>NO</u>	<u>PART NO</u>	<u>PART NAME</u>	<u>QTY.</u>	<u>REMARK</u>
1#	0161D	NUT, HEX FINISH 5/16-18	2	
2#	10019	NUT, FYLOC #10-32	1	
3#	1579	SCREW. JJC 1/4-20 X .5	1	
4#	2203	WASHER, FLAT, #10	4	
5#	405053	CORD GRIP, SAW FNR CONTROL	1	
6#	442005-6	BOOT, FNR CONTROL HANDLE	1	
7#	442006-3	SPACER, F-N-R	1	
8#	442011	BELLCRANK, SAW F-N-R	1	
9#	442012	PLATE, NEUTRAL DETENT	1	
10#	442013	F-N-R MOUNTING PLATE	1	
11#	442021	CONTROL LEVER	1	
12#	442022	SPACER, F-N-R DELRIN	1	
13#	460018	CAM ROLLER, SAW FNR CONTROL	1	
14#	565005	EXTENSION SPRING F-N-R CONTROL	1	
15#	584021	DENTENT BALL, SAW FNR CONTROL	1	
16#	584023	PIN, LONG SPRING HANGER	1	
17#	584024	PIN, SHORT SPRING HANGER	1	
18#	926348	SCREW, SHOULDER 3/8-16 X 3/4	1	
19#	933015	FRICTION DISC, SAW F-N-R	1	
20#	933073	1/2 X 1-1/4 BELLEVILLE WASHER	3	
21#	933225	WASHER, FENDER 1/2 X 1-1/2 ZINC	1	
22#	933240	WASHER, FLAT 1/4 SAE	1	
23#	933242	WASHER, FLAT 3/8 SAE	1	
24#	938062	LOCKNUT 3/8-16 YZ	2	
25#	973735	SCREW, BHSC 10-24X1-SS	4	
26	35122	F-N-R MOUNTING ASSY.....	1	INCLUDES ITEMS W/#

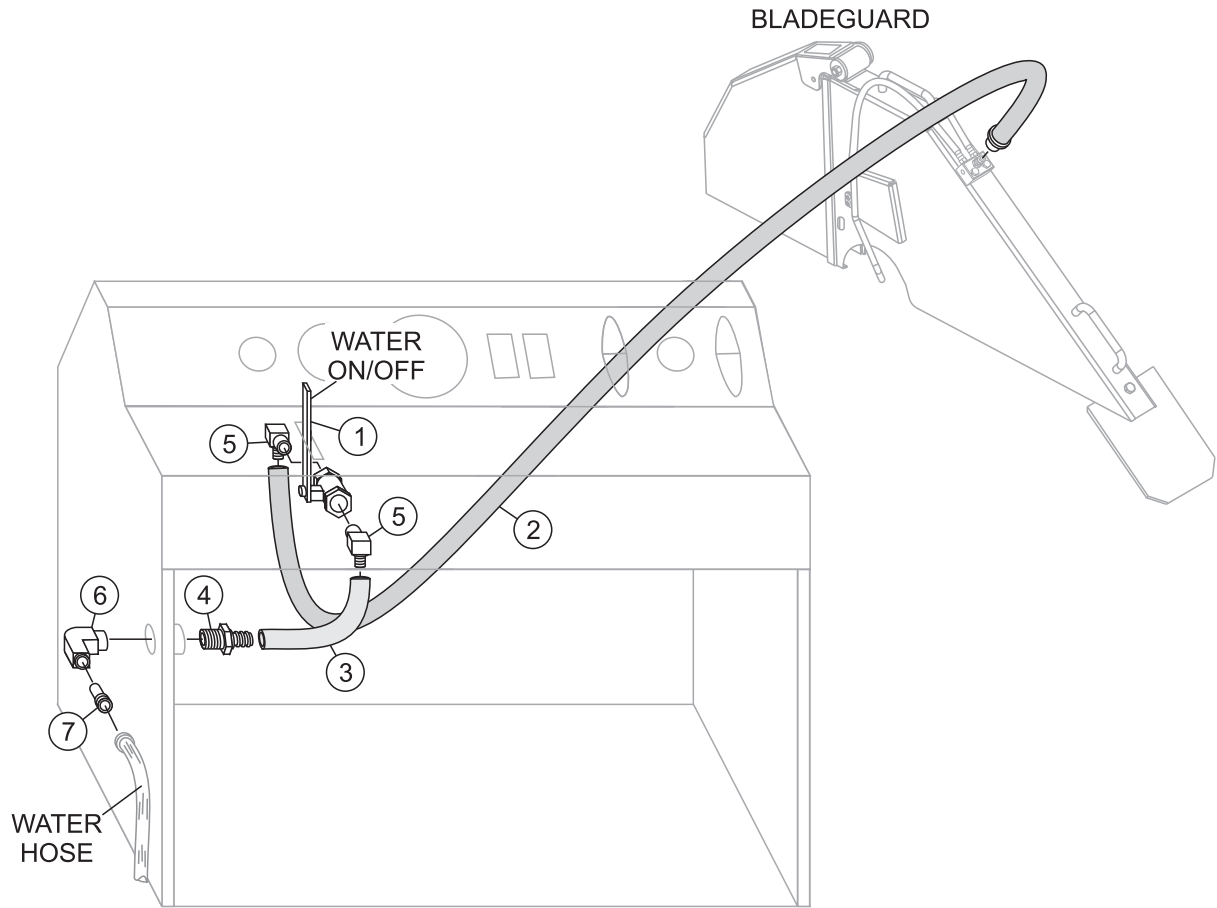
Lift Pump Circuit Assy.



Lift Pump Circuit Assy.

<u>NO</u>	<u>PART NO</u>	<u>PART NAME</u>	<u>QTY.</u>	<u>REMARK</u>
2	340011	PUMP, LIFT	1	
3	169003	PIN, CYLINDER	2	
4	447007	CYLINDER, LIFT	1	
5	21159	FITTING, 45 4MJ-4MO	1	
6	368817	FITTING, 90 4MJ-4MO	1	
7	35149	FITTING, ORIFICE 4MJ-4MO	1	
8	366640	FITTING, 90 4MJ-4FJ	1	
9	35157	FITTING, TEE 4MO-4MJ	1	
10	35156	HOSE ASM, 11.3"	1	
11	35250	HOSE ASM, 10.7"	1	
12	366437	FITTING, BULKHEAD #4 JIC	1	
13	35248	HOSE ASM 9.1"	1	
14	570050	CLAMP ASM #4 SINGLE HOSE	1	
15	35057	HOSE ASM 28.7"	2	
16	0655	SCREW, HHC 5/16-18 X 3/4	2	
17	933241	WASHER, FLAT SAE 5/16 GRD 9 YZ	2	
18	933240	WASHER, FLAT SAE 1/4 GRD 9 YZ	2	
19	20909	SCREW, HHC 1/4-20 X 2	2	
20	0949	NUT, HEX FINISH 1/4-20 X 3/8 NP	2	
23	480003	SEAL, OIL CR# 9815	4	
24	2621	FITTING, GREASE ZERK STR 1/4-28	1	
25	446009	SOLENOID VALVE ASM, SAW LIFT	1	
26	400000	SOLENOID, 12VDC	1	
27	923000	SCREW, SHC 1/4-20 X 3/8 NP	2	
28	933076	WASHER, FLAT SAE #12 ZINC	2	

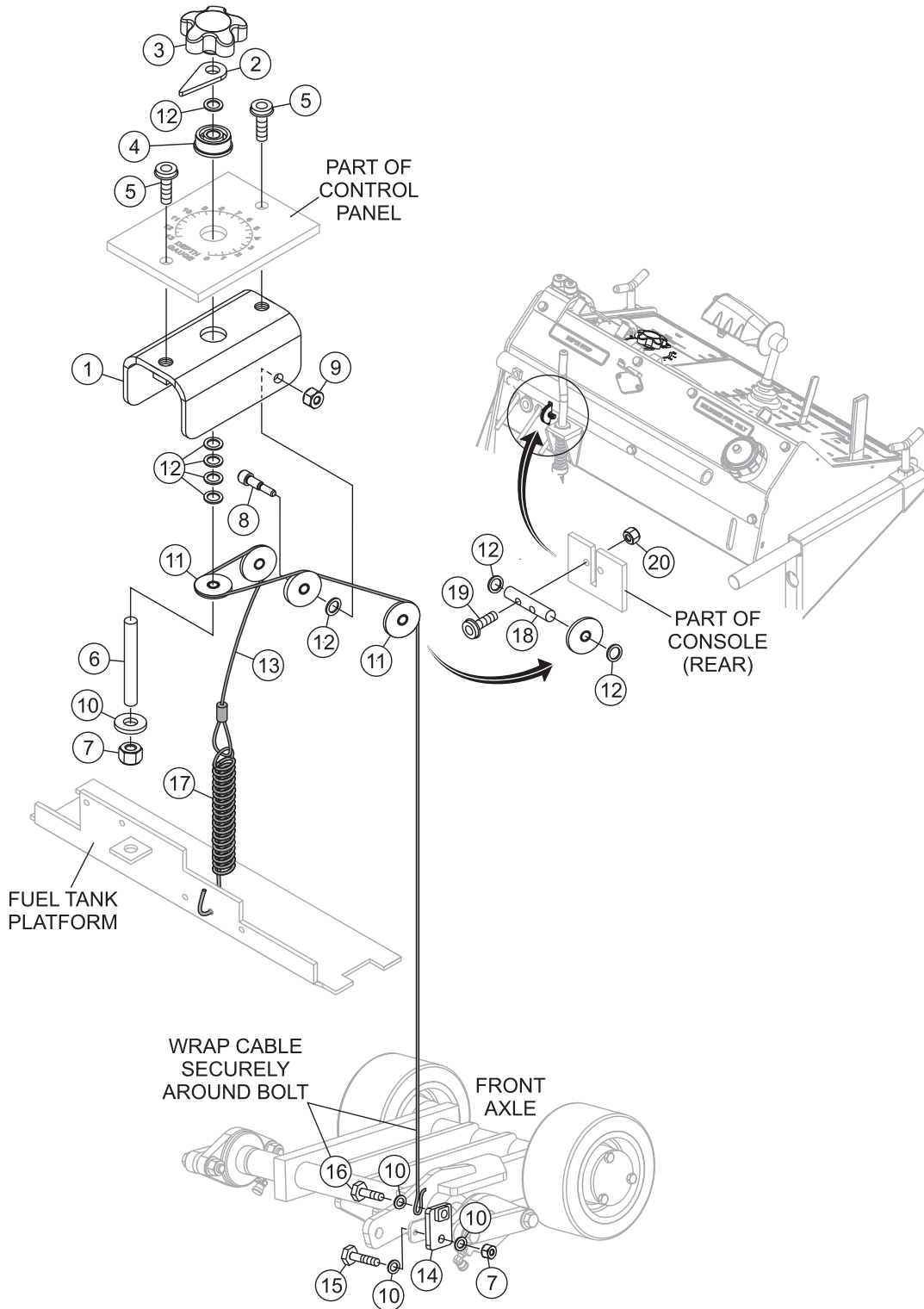
Water System Assy.



Water System Assy.

<u>NO</u>	<u>PART NO</u>	<u>PART NAME</u>	<u>QTY.</u>	<u>REMARK</u>
1	446004	VALVE, BALL, 1/2 BRASS	1	
2	35047	HOSE ASM, 95.1" #8LP	1	
3	35052	HOSE, 1/2 ID PUSHLOCK 250 PSI, 8"	1	
4	25059	FITTING, BRASS 8 PUSH-ON 1/2 MP	1	
5	25931	FITTING, 90 8 BARB - 1/2 MP	2	
6	26496	FITTING, 90 1/2 MP - 1/2 FP	1	
7	25827	FITTING, BRASS (F) 3/4 GHT SWIVEL 1/2 MNPT	1	

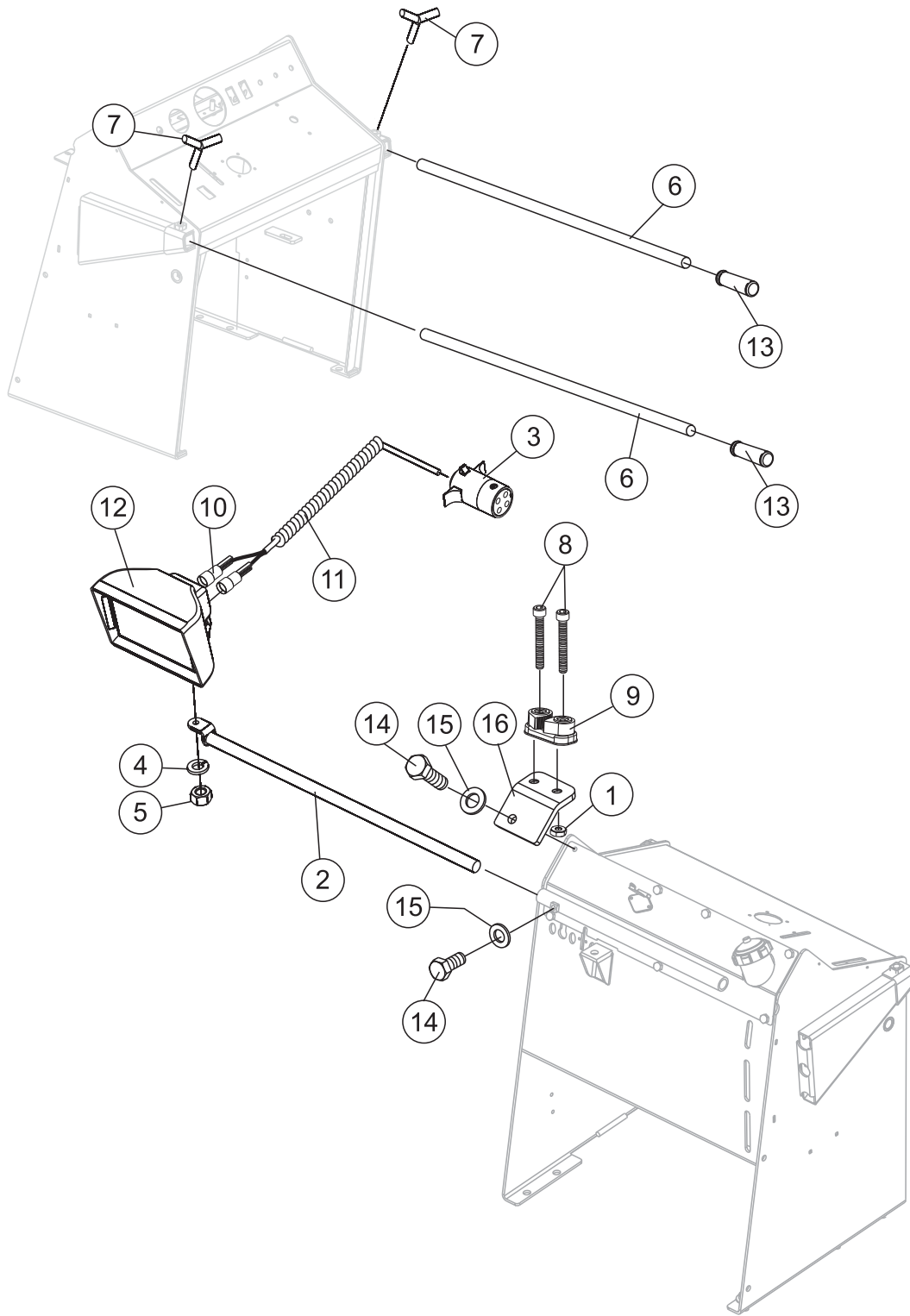
Depth Indicator Assy.



Depth Indicator Assy.

<u>NO</u>	<u>PART NO</u>	<u>PART NAME</u>	<u>QTY.</u>	<u>REMARK</u>
1	125032	DEPTH INDICATOR U-BRACKET	1	
2	110031	POINTER, DEPTH	1	
3	560025	KNOB, COMFORT GRIP	1	
4	460019	FLANGE BEARING, .25ID	1	
5	973752	SCREW, BHSC, 1/4-20 X 5/8 SS	2	
6	584025	STUD, 1/4-20 X 1-3/4	1	
7	10024	NUT, NYLOC 1/4-20	2	
8	926149	SCREW, SHDLR 1/4D X 5/16L, 10-24 SCKT HD	2	
9	1618	NUT, NYLOC 10-24	2	
10	933240	WASHER, FLAT SAE 1/4 GRD 9 YZ	4	
11	540011	PULLEY, CABLE 1-1/4" OD X .25 SHAFT	4	
12	583059	SHIM, .020" THICK, .251" ID, .375" OD	9	
13	440012	DEPTH INDICATOR CABLE	1	
14	120243	PIVOT TAB	1	
15	0131 A	SCREW, HHC 1/4-20 X 3/4	1	
16	1579	SCREW, HHC 1/4-20 X 1/2	1	
17	565004	SPRING, EXTENSION	1	
18	160013	AXLE, INDICATOR SHEAVE	1	
19	923116	SCREW, SHC 8-32 X 3/4	2	
20	13287	NUT, NYLOC	2	

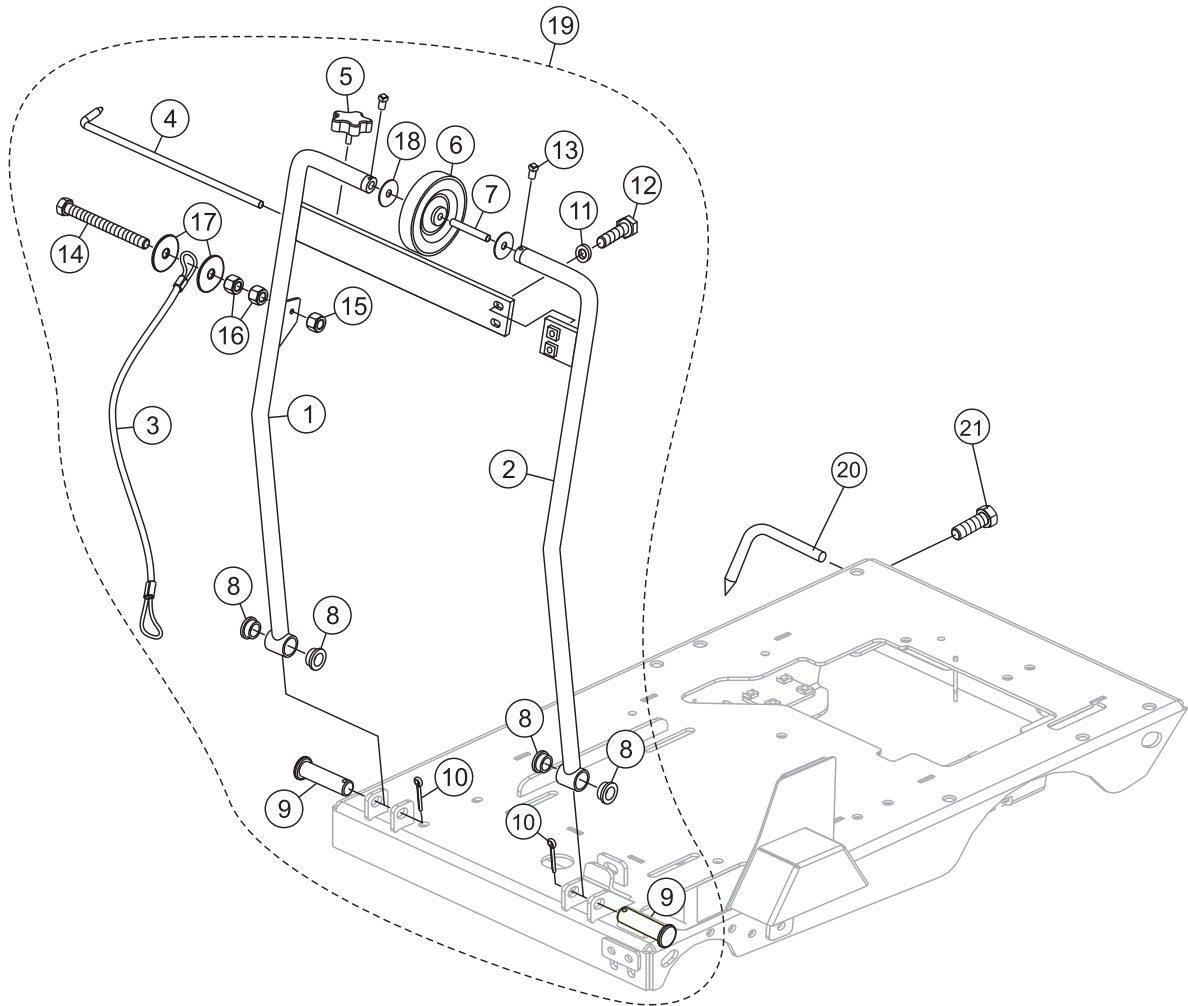
Handle and Light Assy.



Handle and Light Assy.

<u>NO.</u>	<u>PART NO.</u>	<u>PART NAME</u>	<u>QTY.</u>	<u>REMARKS</u>
1	12387	NUT, NYLOCK 8X32	2	
2	120206	LIGHT BAR, CONCRETE SAW	1	
3	405001	CONNECTOR, PLUG, 4 PIN FEMALE	1	
4	0161 C	WASHER, LOCK 5/16"	1	
5	0161 D	NUT, 5/16-18	1	
6	560023-1	HANDLE BAR, CONCRETE SAW	2	
7	560024	KNOB, HANDLEBAR	2	
8	923199	SCREW, SHC 8-32 X 1-1/4	2	
9	574002	CAM CLEAT	1	
10	35359	TERMINAL, FEM-SMALL 16-18 GA	2	
11	405002	CORD, LIGHT-EXTENDABLE	1	
12	2532	LIGHT ASSY., RECTANGULAR COMP.	1	
13	560017	GRIP HANDLE BAR	2	
14	0655	SCREW, HHC 5/16-18" X 3/4	1	
15	933241	WASHER, FLAT SAE 5/16 GRD 9 YZ	2	
16	120244	MOUNT CAM	1	

Front/Rear Pointer Assy.

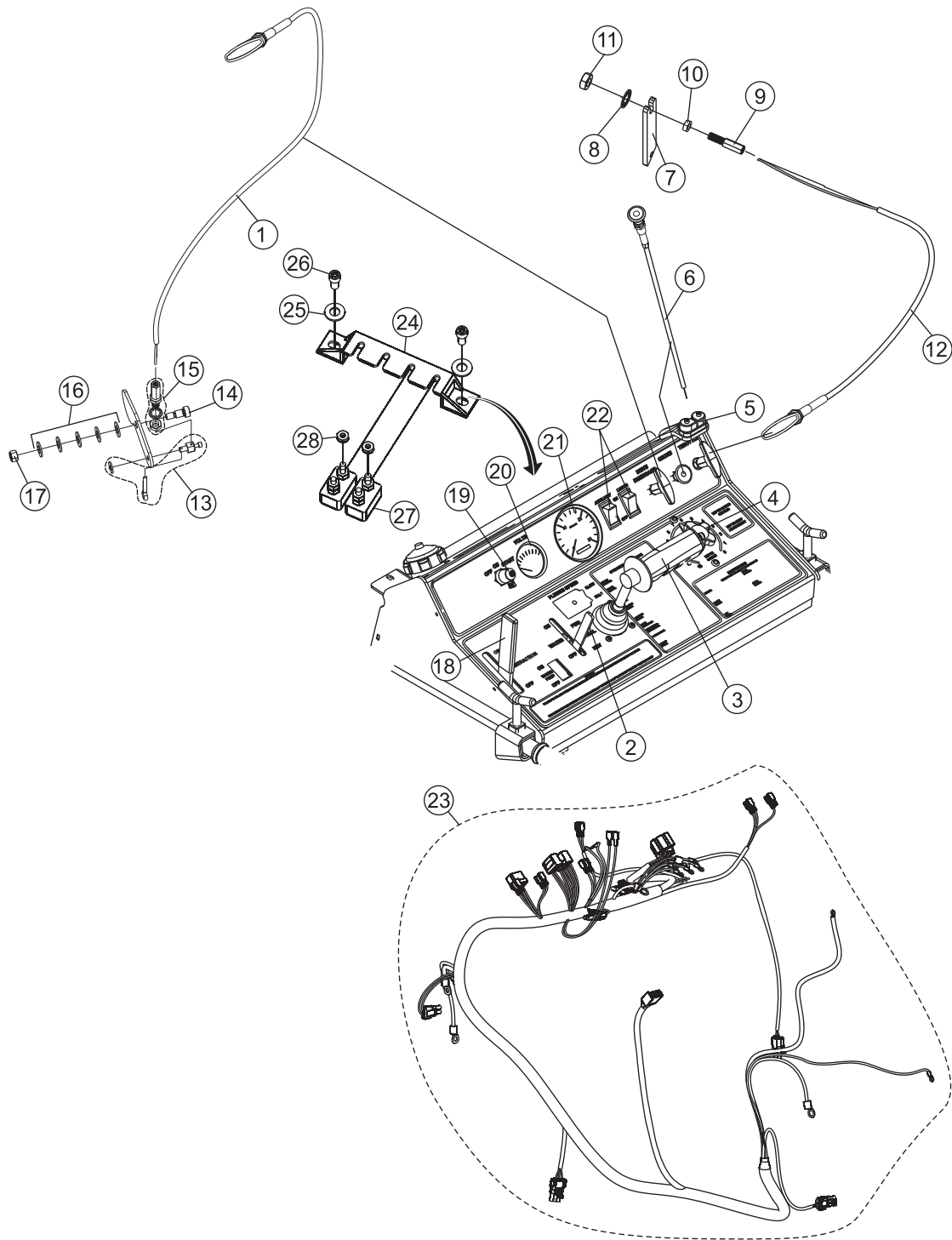


MQ SP-3035 Concrete Saw — Front/Rear Pointer Assy.

Front/Rear Pointer Assy.

<u>NO</u>	<u>PART NO</u>	<u>PART NAME</u>	<u>QTY.</u>	<u>REMARK</u>
1#	120045	RIGHT SIDE POINTER	1	
2#	120046	LEFT SIDE POINTER	1	
3#	25832	ROPE ASSY., FRONT POINTER	1	
4#	110044	POINTER, FRONT 17-1/4"	1	
5#	15503	KNOB, COMFORT GRIP STAR, 3/8-16 X 1	1	
6#	500005	WHEEL, POINTER 6 X 1	1	
7#	160004	AXLE, POINTER WHEEL	1	
8#	582008	BUSHING, FLANGE, 1 OD X 3/4 ID	4	
9#	966166	PIN, CLEVIS 3/4 X 2	2	
10#	965105	PIN, COTTER 5/32 X 1-1/2 PLTD	2	
11#	933241	WASHER, FLAT SAE 5/16 GRD 9 YZ	2	
12#	0202	SCREW, HHC 5/16-18 X 1 ZINC	2	
13#	926006	SCREW, SQHS, CP 1/4-20 X 1/2	2	
14#	1493	SCREW, HHC 3/8-16 X 3.25	1	
15#	10133	NUT, NYLOC 3/8-16	1	
16#	1456	NUT, HEX FINISH 3/8-16	2	
17#	3233	WASHER, FENDER, 1.5OD X 3/8ID	2	
18#	933244	WASHER, FLAT SAE 1/2 " GRD 9 YZ	2	
19	M10005	FRONT POINTER ASSY.....	1	INCLUDES ITEMS W/#
20	110020	POINTER, REAR	1	
21	0205	SCREW, HHC 3/8-16 X 1 ZINC	2	

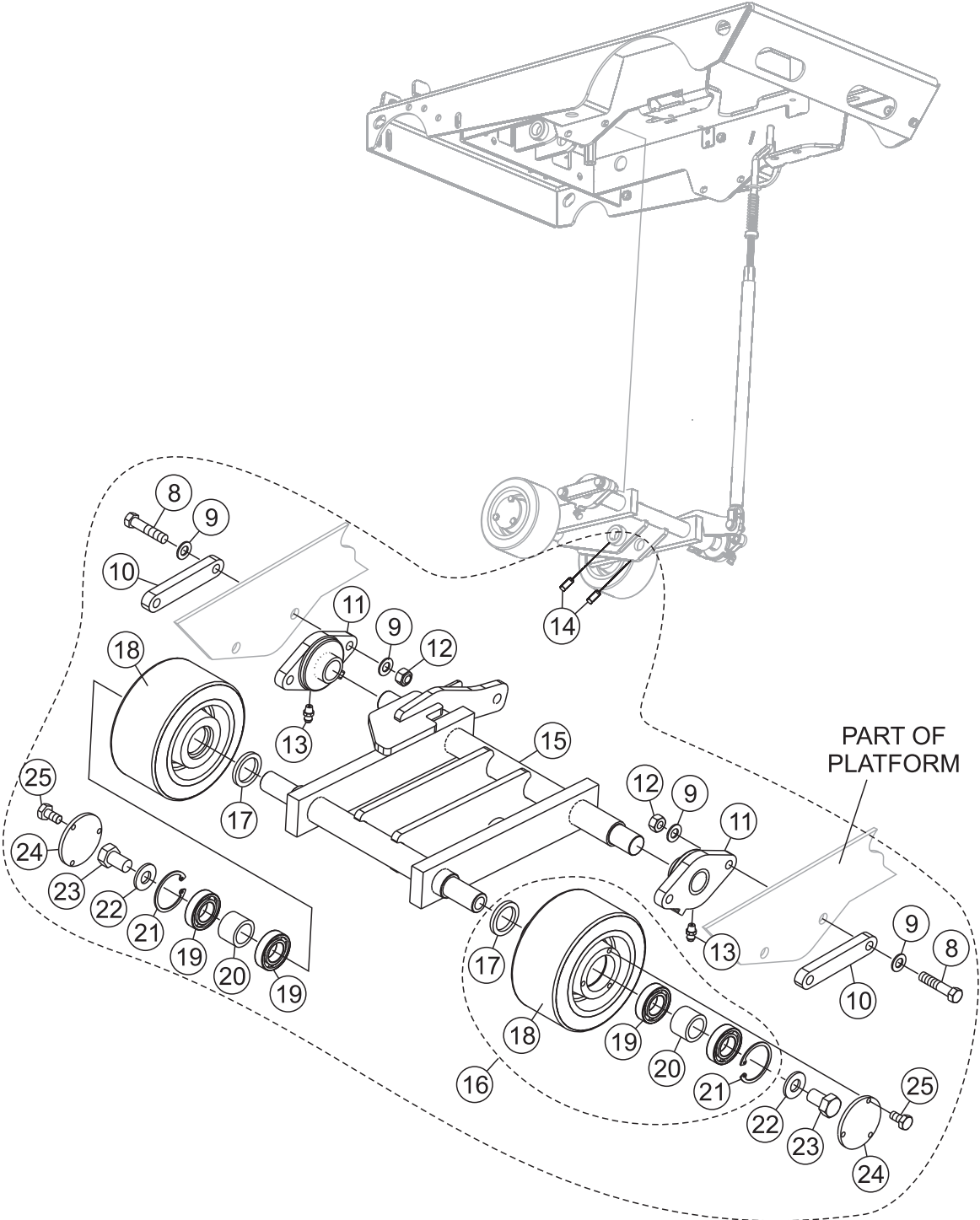
Gauges and Controls Assy.



Gauges and Controls Assy.

<u>NO</u>	<u>PART NO</u>	<u>PART NAME</u>	<u>QTY.</u>	<u>REMARK</u>
1	15171	CABLE PULL	1	
2	446004	VALVE, WATER FLOW CONTROL	1	
3	25627	F-N-R CONTROL ASSY.	1	
4	560025	KNOB, COMFORT GRIP	1	
5	574002	CAM CLEAT	1	
6	15481	CABLE, CHOKE 45"	1	
7	120210	MOUNT THROTTLE CABLE	1	
8	TBD	WASHER	1	
9	25634	BULK HEAD ADAPTER	2	
10	TBD	NUT	2	
11	TBD	NUT	2	
12	15171	CABLE, PULL THROTTLE	1	
13	584028	PIVOT END, CABLE	1	
14	926327	SCREW SHDLR	1	
15	25634	BULK HEAD ADAPTOR	1	
16	933242	WASHER FLAT SAE	5	
17	5283	NUT, NYLOC 5/15	1	
18	35174	POSITRACTION UPPER LEVER ASSY.	1SEE POSITRACTION ASSY.
19	406001	SWITCH, IGNITION	1	
20	423000	VOLT METER	1	
21	421000	TACHOMETER	1	
22	406000	SWITCH, ROCKER	2	
23	35125	HARNESS, WIRING	1	
24	406012	MOUNTING BAR, CIRCUIT BREAKER	1	
25	933241	WASHER, FLAT SAE 5/16 GRD 9 YZ	2	
26	923201	SCREW, SHC 1/4-20 X 1/2	2	
27	406019	CIRCUIT BREAKER, 10 AMP	2	
28	25935	NUT, HEX 10-32 W/STAR WASHER	2	

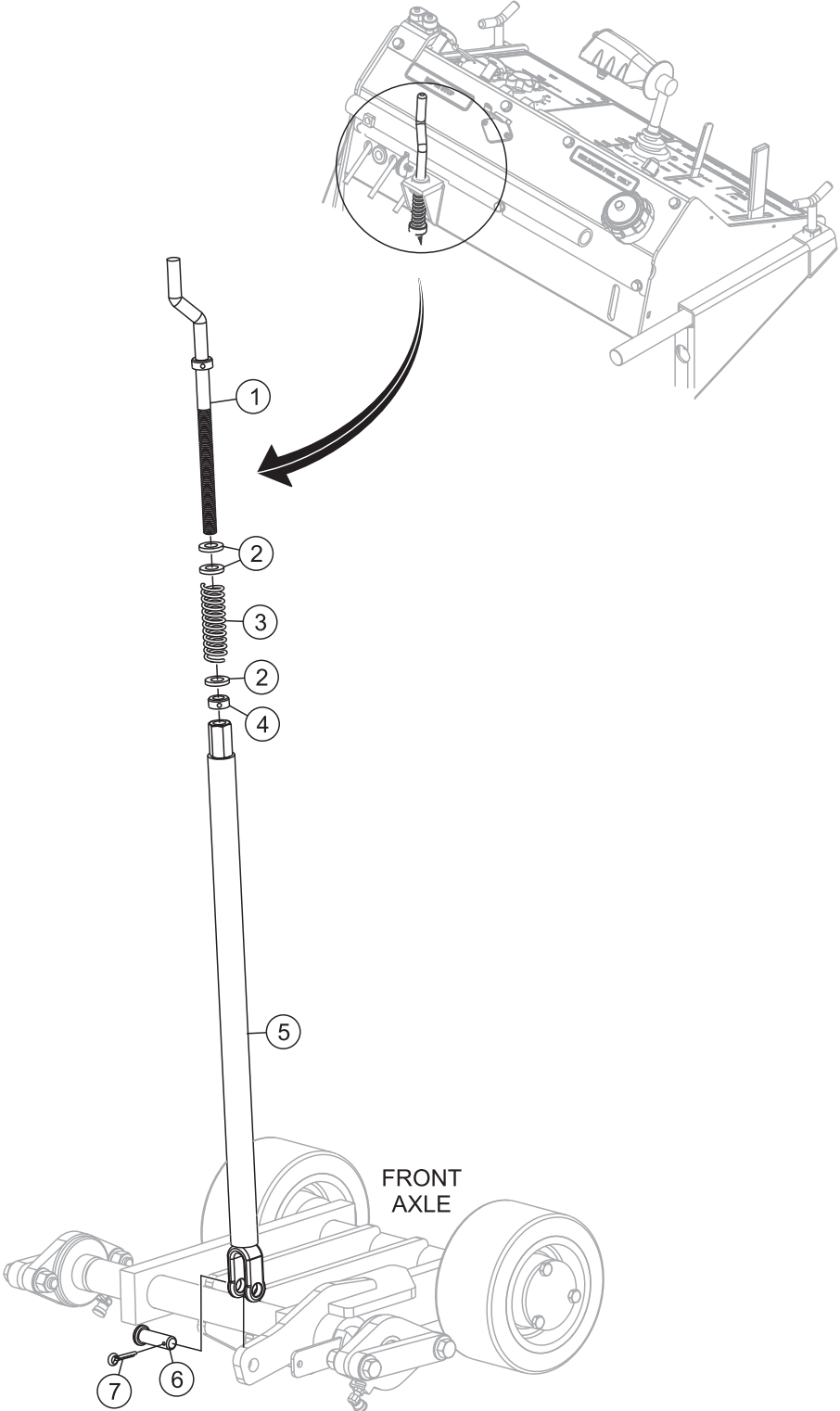
Front Axle Assy.



Front Axle Assy.

<u>NO</u>	<u>PART NO</u>	<u>PART NAME</u>	<u>QTY.</u>	<u>REMARK</u>
8	913161	SCREW, HHC 7/16-14 X 2	4	
9	933243	WASHER, FLAT SAE 7/16	8	
10	100005	BEARING BACKING PLATE	2	
11	460006	BEARING, FLANGED, 1"	2	
12	16677	NUT, LOCK NUT, NYLOC 7/16	4	
13	2621	FITTING, GREASE ZERK STR	2	
14	926064	SCREW, SQHS, CP	2	
15	16010-1	FRONT AXLE	1	
16	25839	FRONT WHEEL ASSEMBLY	2	INCLUDES ITEMS W/#
17#	485002	SEAL	2	
18#	500003	WHEEL, FRONT 3" X 6"	2	
19#	460002	BEARING	4	
20#	M508006	SPACER	2	
21#	576003	SNAP RING	2	
22	933246	WASHER, FLAT SAE 5/8	2	
23	06505-008	SCREW, HHC 5/8-11 X 1.00	2	
24	508005	COVER, WHEEL, FRONT	2	
25	1579	SCREW, HHC 1/4-20 X 1/2	6	

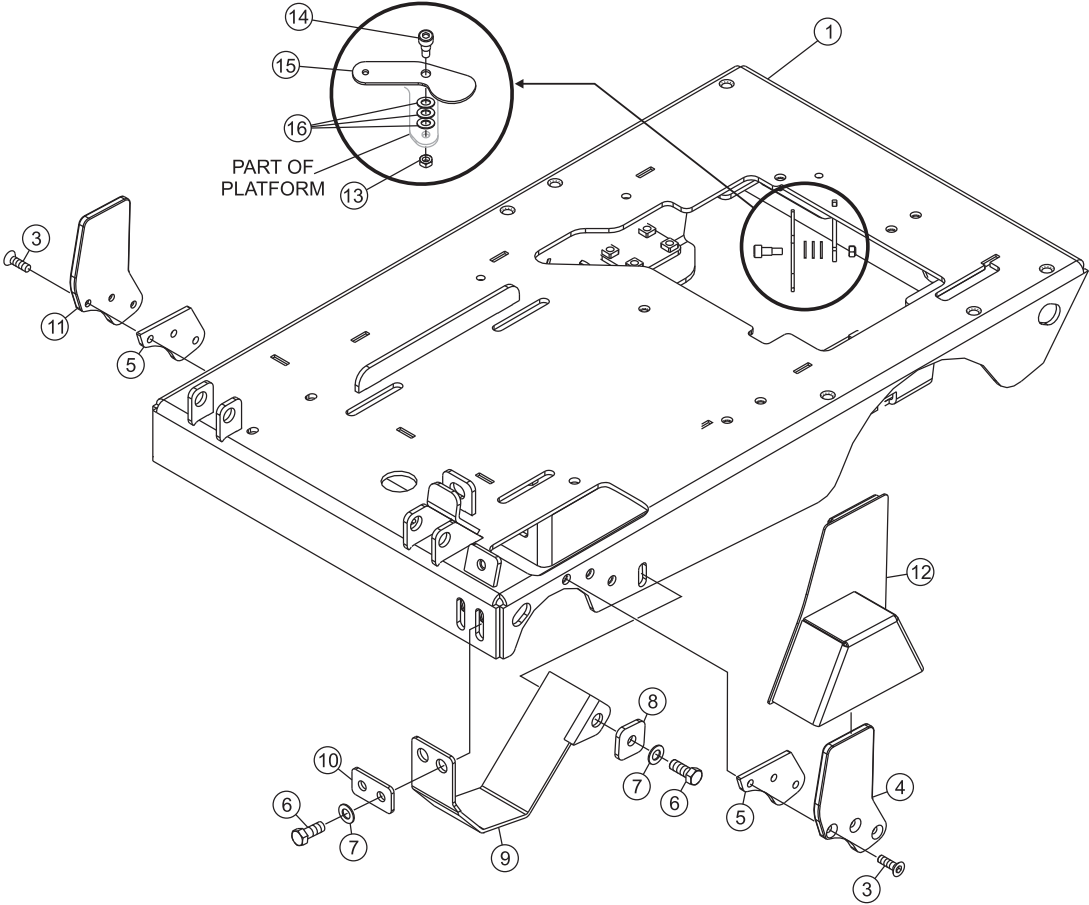
Depth Stop Assy.



Depth Stop Assy.

<u>NO</u>	<u>PART NO</u>	<u>PART NAME</u>	<u>QTY.</u>	<u>REMARK</u>
1	35120	DEPTH STOP LEAD SCREW	1	
2	933244	WASHER, FLAT SAE 1/2	3	
3	565002	SPRING, COMPRESSION, 7/8	1	
4	582009	COLLAR, SET .50 ID	1	
5	442014	DEPTH STOP LINKAGE	1	
6	19974	PIN, CLEVIS 1/2 X 1.25 EFFECT	1	
7	965103	PIN, COTTER 5/32 X 1 PLTD	1	

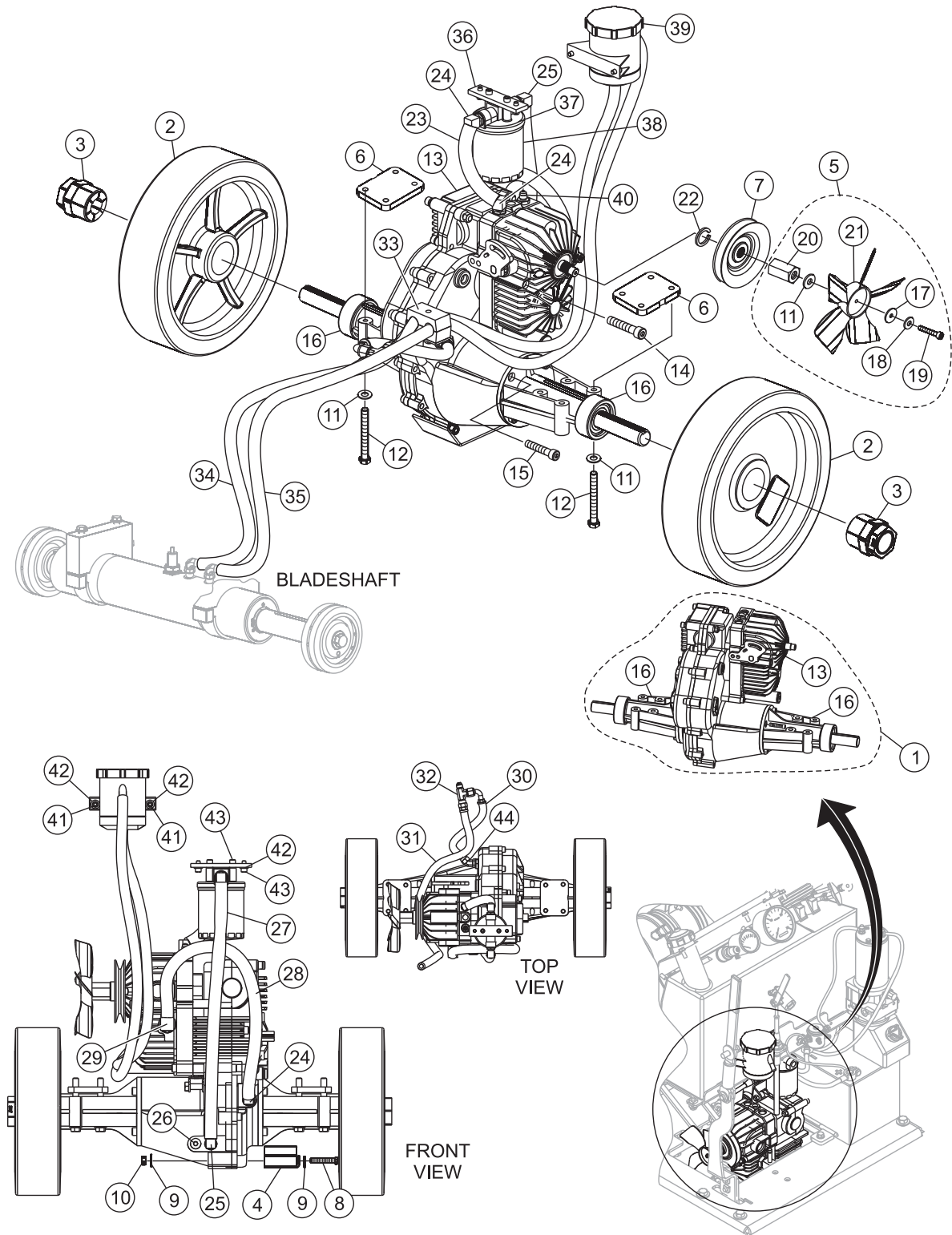
Platform Assy.



Platform Assy.

<u>NO</u>	<u>PART NO</u>	<u>PART NAME</u>	<u>QTY.</u>	<u>REMARK</u>
1	25807	PLATFORM	1	
3	924287	SCREW, FHSC, 3/8-16 X 1-1/4,NP	6	
4	120038	CLIP, MOUNT,BLADEGUARD	1	
5	120040	SPACER, BLADEGUARD CLIP, .25 THICK	2	
6	3214	SCREW, HHC 1/2-13 X 1 1/4	3	
7	933244	WASHER, FLAT SAE 1/2 GRD 9 YZ	3	
8	583092	WASHER, LOWER BELT PROTECTOR	1	
9	25837	GUARD, LOWER BELT PROTECTOR	1	
10	25820	WASHER, STRAP LOWER BELT PROTECTOR	1	
11	120092	CLIP, RH BLADE GUARD MOUNT	1	
12	M200000	GUARD, BLADE COLLAR - SLATE GREY	1	
13	5283	NUT, NYLOC 5/16-18	1	
14	926327	SCREW, SHSHLDR, 5/16-18X1/2	1	
15	448002	LEVER, CAM	1	
16	933242	WASHER, FLAT SAE 3/8 GRD 9 YZ	3	

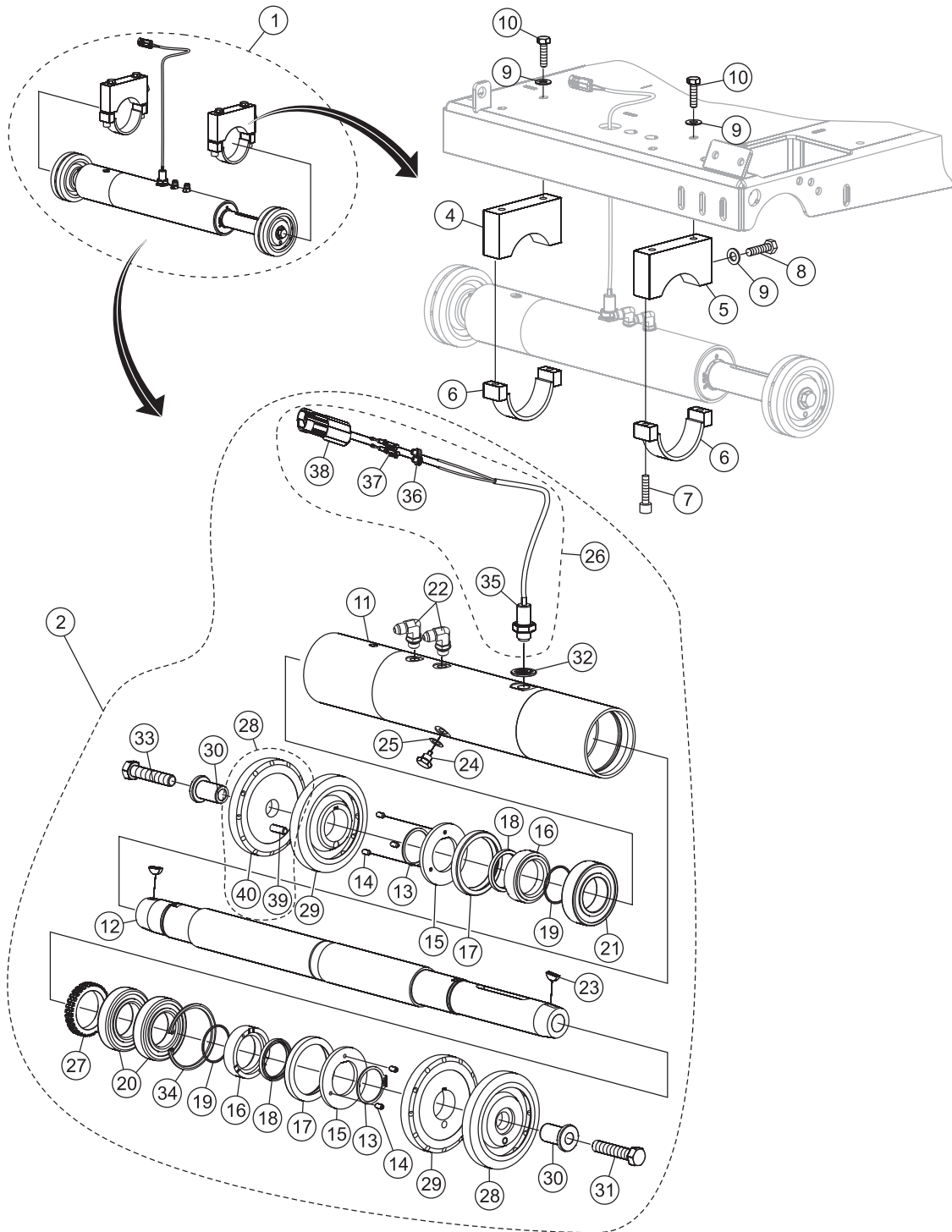
Drive Assy.



Drive Assy.

<u>NO</u>	<u>PART NO</u>	<u>PART NAME</u>	<u>QTY.</u>	<u>REMARK</u>
1	263002	TRANSAXLE ASSY.	1	INCLUDES ITEMS W/%
2	35325	WHEEL, POLY-11X3	2	REPLACES P/N 500011
3	582038	BUSHING, 1.0" TRANSTORQUE KEYLESS	2	
4	206005	SKID PLATE, TRANSAXLE	1	
5	35190	FAN ASSY.	1	INCLUDES ITEMS W/#
6	120078	BACKING PLATE, SAW TRANSAXLE	2	
7	540033	PULLEY, 4.13 X A X 18 TOOTH SPLINE	1	
8	06500-020	SCREW, HHC 5/16-18X2-1/2	2	
9	933241	WASHER, FLAT SAE 5/16 GRD 9 YZ	4	
10	5283	NUT, NYLOC 5/16-18	2	
11#	933242	WASHER, FLAT SAE 3/8 GRD 9 YZ	8	
12	1493	SCREW, HHC 3/8-16X3.25	8	
13%	BDU-10L-122	PUMP MOTOR SUNSTRAND	1	
14	25495	SCREW, HHC 5/16-18X4-1/2	3	
15	0202	SCREW, HHC 5/16-18X1 ZINC	6	
16%	35151	MOUNTING HORN, AXLE	2	
17#	933201	WASHER, FENDER 3/16X3/4 ZINC	1	
18#	933072	WASHER, FLAT SAE #8 ZINC	1	
19#	923118	SCREW, SHC 8-32X1 NP	1	
20#	583064	STAND-OFF, 1.00 HEX X 1.483	1	
21#	384001	FAN, 5-BLADE	1	
22	25623	CIRCLIP, RETAINER	1	
23	35019	HOSE, 1/2 ID PUSHLOCK 250 PSI, 6"	1	
24	370192	FITTING, 45 8BEAD SHORT-6MO	3	
25	370162-1	FITTING, 90 8BARB - 6MO	2	
26	368699	FITTING, PLUG 6MO HEX SKT HD	1	
27	35054	HOSE, 1/2 ID PUSHLOCK 250 PSI, 22.25"	1	
28	25976	HOSE, 1/2 ID PUSHLOCK 250 PSI, 18.5"	1	
29	35226	FITTING, 90 8 BEADED HOSE X 10MO	1	
30	35050	HOSE ASM, 8.25" #6LP w/35253/370674	1	
31	35051	HOSE ASM, 32.85" #6LP w/ 368103	1	
32	366692	FITTING, TEE RUN 6MJ - 6MJ - 6FJ	1	
33	570053	CLAMP ASM, WELD, #6 DOUBLE HOSE	1	
34	35049	HOSE ASM, 22.75" #6LP w/ 370674/370674	1	
35	35048	HOSE ASM, 54.9" #6LP w/ 370674	1	
36	120260	PLATE, HYDRAULIC OIL FILTER ADAPTER	1	
37	25617	FILTER HEAD, TRANSAXLE	1	
38	306006	FILTER, TRANSAXLE	1	
39	144003	RESERVOIR, HYDRAULIC OIL	1	
40	367470	FITTING, STR 4MJ - 6MO	1	
41	923200	SCREW, SHC 1/4-20 X 3/8 NP	2	
42	933076	WASHER, FLAT SAE #12 ZINC	4	
43	923201	SCREW, SHC 1/4-20 x 1/2	4	
44	11780	FITTING, 45 6MJ-6MO	1	

Bladeshaft and Mounting Assy.

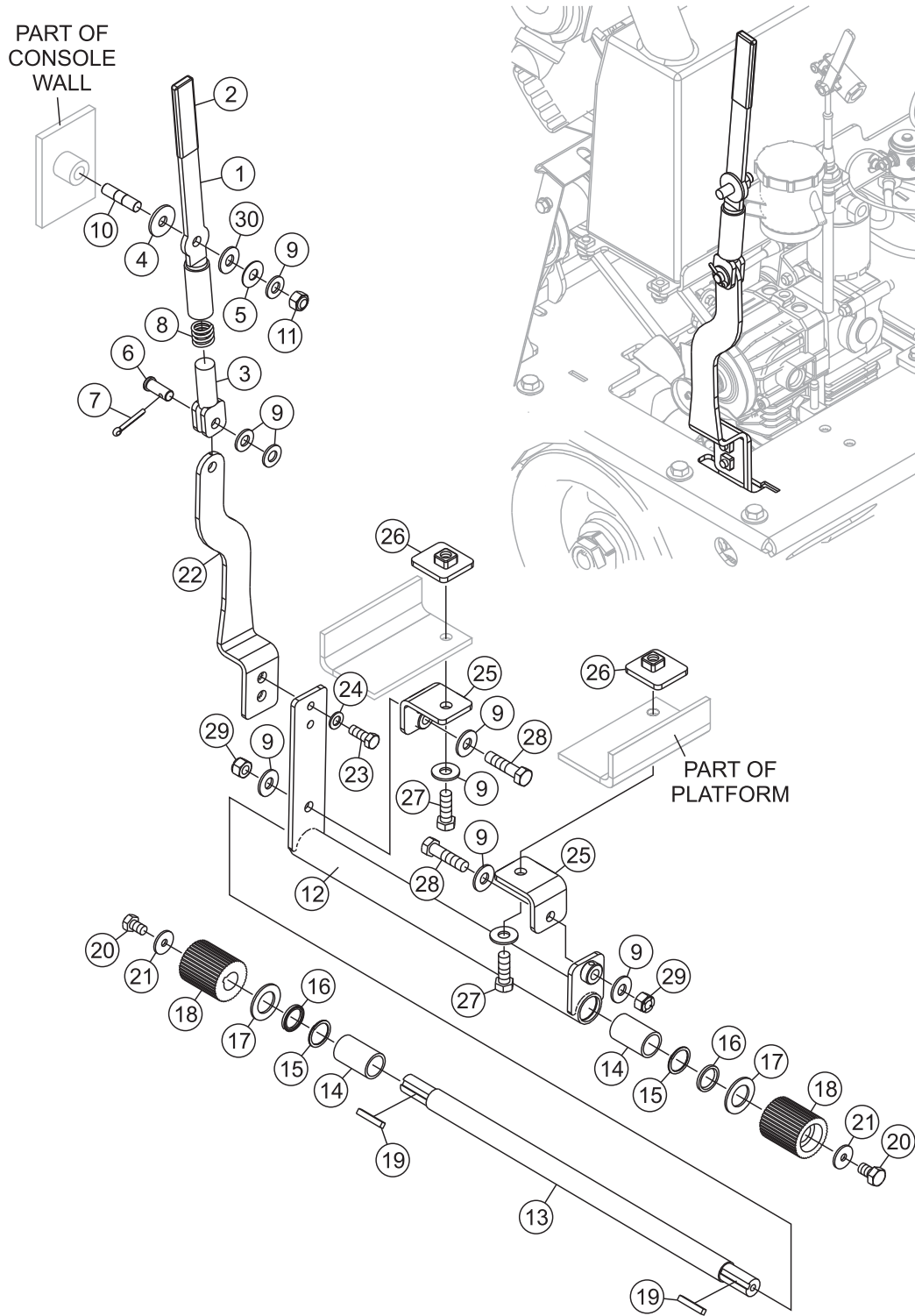


MQ SP-3035 Concrete Saw — Bladeshaft and Mounting Assy.

Bladeshaft and Mounting Assy.

<u>NO.</u>	<u>PART NO.</u>	<u>PART NAME</u>	<u>QTY.</u>	<u>REMARKS</u>
1	35270	BLADESHAFT AND MOUNTING GROUP	1.....	INCLUDES ITEMS W/#
2#	25840	BLADESHAFT ASSY. W/TACH P/U.....	1.....	INCLUDES ITEMS W/%
4#	25842	MOUNTING BLOCK, BLADESHAFT	1	
5#	120220	MOUNTING BLOCK, BLADESHAFT W/PIN	1	
6#	120221	SADDLE CLAMP 1.50X4.00 BLADESHAFT	2	
7#	923357	SCREW, SHC 7/16-14 X 1-1/4, NP	4	
8#	16530	SCREW, HHC 7/16-14 X 1	2	
9#	933243	WASHER, FLAT SAE 7/16 GRD 9 YZ	6	
10#	06502-010	SCREW, HHC 7/16-14 X 1-1/4	4	
11#%	25841	HOUSING, SINGLE SPEED W/TACH	1	
12#%	162000	BLADE SHAFT	1	
13#%	576005	SNAP RING, SH-156	2	
14#%	10138	SCREW, SHS, 1/4-20 X 1/2, NP	6	
15#%	486000	WASHER, THRUST	2	
16#%	485001	SLEEVE, BLADE SHAFT SEAL	2	
17#%	480001	SEAL, OIL CR# 26110	2	
18#%	480002	SEAL, OIL CR# 16022	2	
19#%	578129	O-RING, SIZE 2-129 BUNA 70	2	
20#%	460008	BEARING, 7208BGC3	2	
21#%	460004	BEARING, CYLINDRICAL NU2208RC3	1	
22#%	11722	FITTING, 90 6MJ-6M0	2	
23#%	969314	KEY, WOODRUFF, #61, 3/16" X 5/8"	2	
24#%	583026	DRAIN PLUG, MAGNETIC, 1/2-20	1	
25#%	577009	GASKET, DRAIN PLUG	1	
26#%	35254	SENDER ASM, TACHOMETER SIGNAL GENERATOR	1.....	INCLUDES ITEMS W/+
27#%	35077	GEAR, SAW BLADE SHAFT SPEED PICKUP	1	
28#%	180001	COLLAR ASSY., OUTER BLADE SHAFT	2.....	INCLUDES ITEMS W/@
29#%	180000	COLLAR, INNER BLADE SHAFT	2	
30#%	582012	BUSHING, QUICK DISCONNECT BLADE SHAFT	2	
31#%	915315	SCREW, HHC 5/8-11X3 GR8	1	
32#%	25695	WASHER, SEALED 3/4"	1	
33#%	915316	SCREW, HHC 5/8-11X3 LH GR8	1	
34#%	576002	SNAP RING, VH0-315	1	
35#%+	421001	GENERATOR, TACHOMETER SIGNAL	1	
36#%+	12171	SEAL, WEATHERPACK 16-18 GA, GREEN	2	
37#%+	12179	TERMINAL, WEATHERPACK MALE 14-16 GA	2	
38#%+	12176	CONNECTOR, WEATHERPACK 2 MALE PIN	1	
39#%+@	980705	PIN, DOWEL 3/8 X 1-1/4"	4	
40#%+@	180001-1	COLLAR, BLADE OUTSIDE	2	

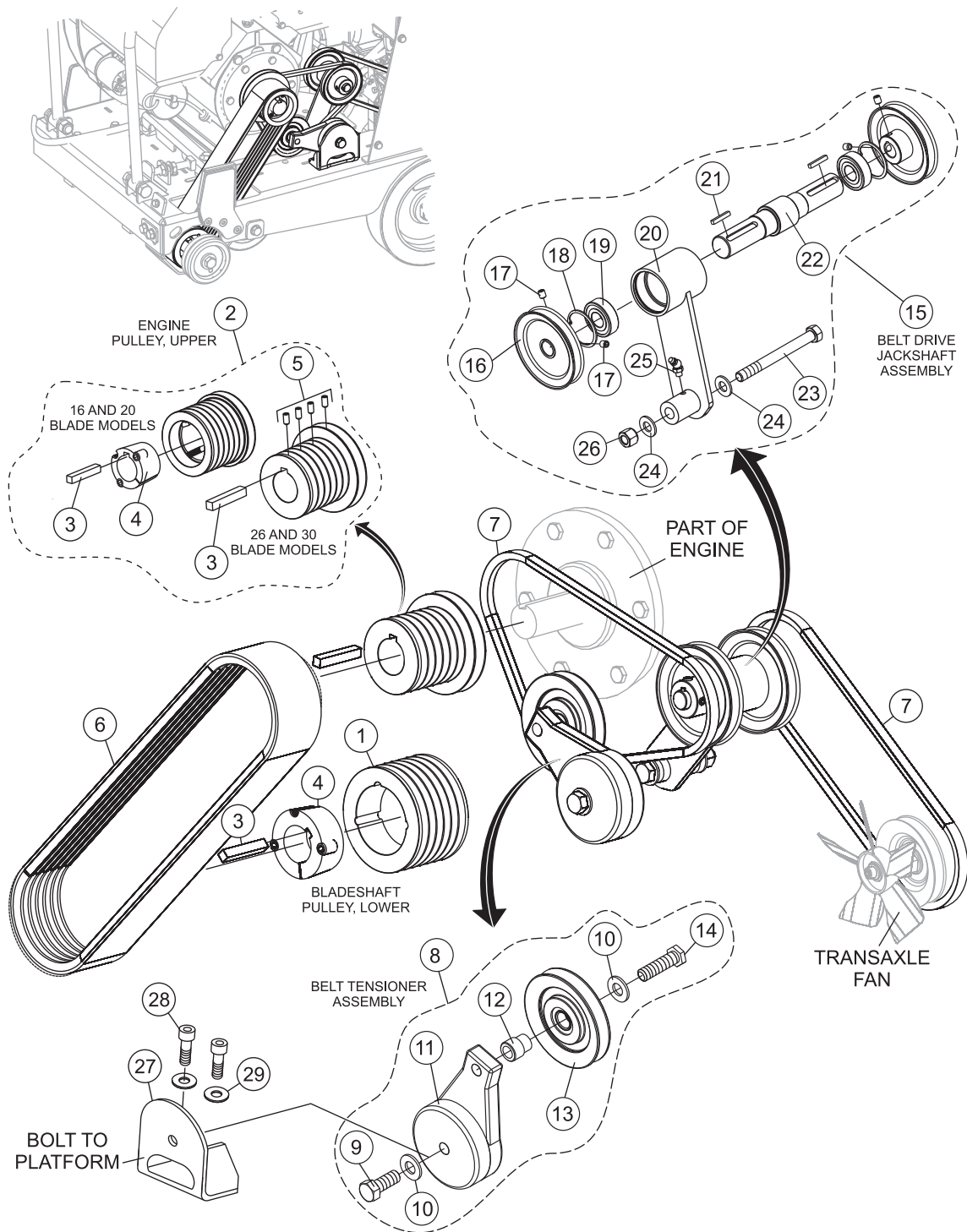
Positraction Assy.



Positraction Assy.

<u>NO</u>	<u>PART NO</u>	<u>PART NAME</u>	<u>QTY.</u>	<u>REMARK</u>
1	442019	POSITRACTION ACTUATOR LEVER	1	
2	560026	COVER, HANDLE FLAT RED	1	
3	442020	LEVER CONNECTOR	1	
4	933015	FRICTION DISC, 1-1/2" X 1/2" X 1/8"	1	
5	933073	WASHER, BELLVIEW 1/2 X 1-1/4	1	
6	19974	PIN, CLEVIS	1	
7	965103	PIN, COTTER 5/32 X 1 PLTD	1	
8	565003	SPRING, COMPRESSION	1	
9	933244	WASHER, FLAT SAE 1/2 GRD 9 YZ	9	
10	25673	STUD, 1/2-13 X 2"	1	
11	938064	LOCKNUT, TOP 1/2-13 YZ	1	
12	168005	POSI-TRACTON AXLE TUBE	1	
13	160012	SHAFT, POSITRACTION DRIVE	1	
14	460020	BEARING, COMPOSITE SLEEVE	2	
15	576012	SNAP RING SPIRAL	2	
16	480003	SEAL	2	
17	583054	SHIM, ARBOR- 1X1-1/2 X .093	2	
18	242000	HUB, POSITRACTION DRIVE	2	
19	15207	KEY, 1/4 SQ X 1.5	2	
20	0655	SCREW, HHC 5/16-18 X 3/4	2	
21	35147	WASHER, FLAT .375 I.D. X 1" O.D. X .125	2	
22	442018	POSI-TRAC LOWER CONNECTION LEVER	1	
23	915105	SCREW, HHC 3/8-16 X 1.0 GRD8	2	
24	933242	WASHER, FLAT SAE 3/8 GRD 9 YZ	2	
25	125035	BRACKET, ANGLE POSI TRAC	2	
26	120080	PLATE, CLAMPING, POSI TRAC	2	
27	5218	SCREW, HHC 1/2-13 X 1 1/2	2	
28	6159A	SCREW, HHC 1/2-13 X 2	2	
29	10176	NUT, NYLOC 1/2-13	2	
30	933225	WASHER, FENDER 1/2 X 1-1/2 ZINC	1	

Pulley and V-Belt Assy.

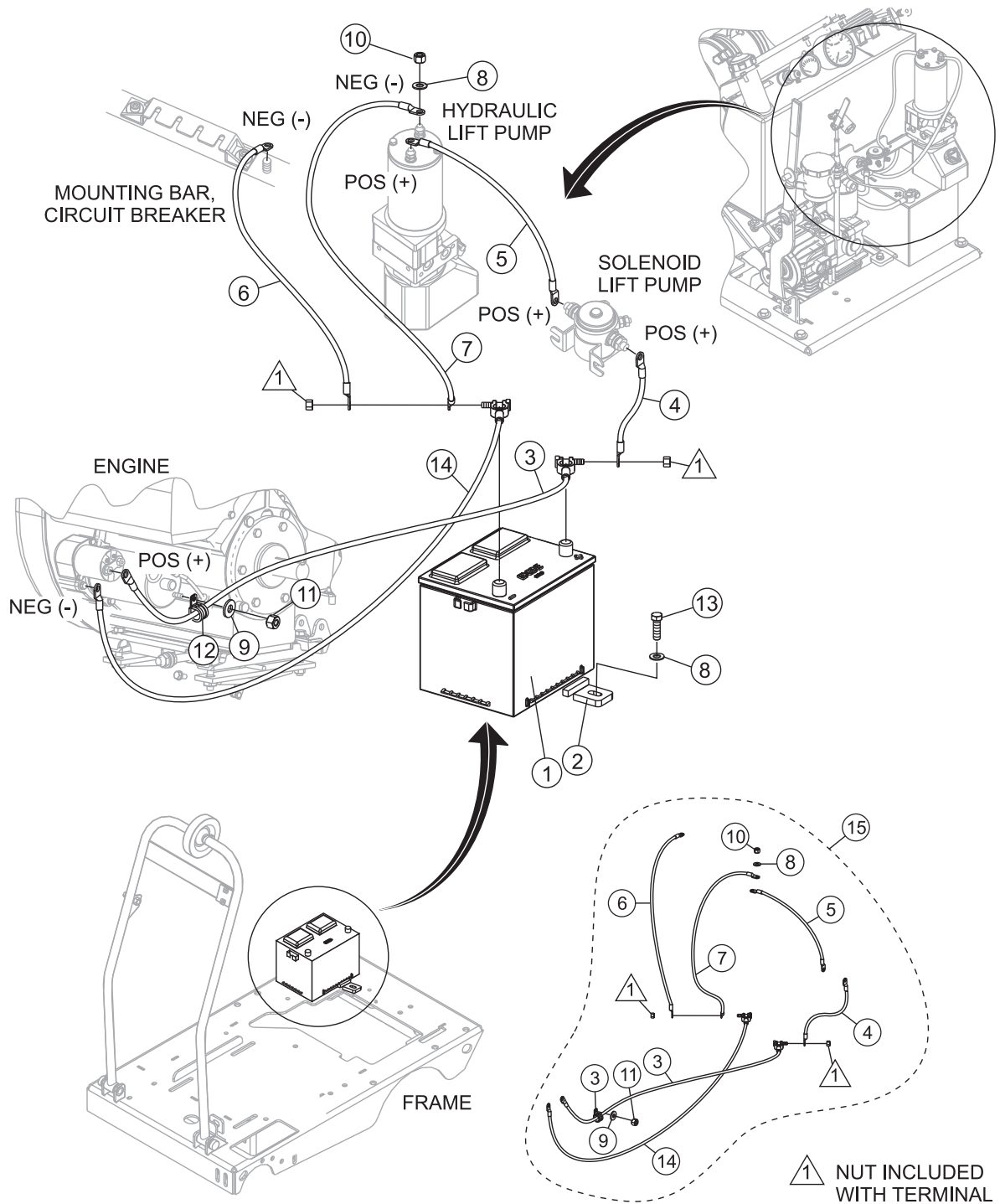


MQ SP-3035 Concrete Saw — Pulley and V-Belt Assy.

Pulley and V-Belt Assy.

<u>NO</u>	<u>PART NO</u>	<u>PART NAME</u>	<u>QTY.</u>	<u>REMARKS</u>
1	540006	PULLEY, BLADESHAFT 3.8 6G 3VX1615	1	16" BLADE
1	540066	PULLEY, BLADESHAFT 4.0 6G 3VX2012	1	20" BLADE
1	540065	PULLEY, BLADESHAFT 4.2 6G 3VX2012	1	26" BLADE
1	540049	PULLEY, BLADESHAFT 4.4 6G 3VX1615	1	30" BLADE
2	540000	PULLEY, ENGINE 3.8 6G 3VX4.01A	1	16" BLADE
2	540070	PULLEY, ENGINE 3.8 6G 3VX5.01A	1	20" BLADE
2	540012	PULLEY, ENGINE 3.0 6G 3VX4.01A	1	26" AND 30" BLADE
3	582013	KEY, 3/8" X 3/8" SQ X 2-1/4"	1	
4	582028	BUSHING, TAPER-LOCK 1615 X 1-7/16.....	1	16" AND 20" BLADE, ENGINE SIDE
5	582020	BUSHING, TAPER-LOCK 1615 X 1-1/2.....	1	16" AND 30" BLADE, BLADESHAFT SIDE
5	460030	BUSHING, TAPER-LOCK 2012 X 1-1/2.....	1	20" AND 26" BLADE, BLADESHAFT SIDE
6	520006	V-BELT, 6 3 VX 425	1	ALL MODELS
7	521005	V-BELT, AX-31	2	ALL MODELS
8	25557	BELT TENSIONER ASSY.	1	INCLUDES ITEMS W/@
9@	3214	SCREW, HHC 1/2-13 X 1 1/4	1	
10@	933244	WASHER, FLAT SAE 1/2 GRD 9 YZ	2	
11@	448000	IDLER ARM, FENNER	1	
12@	544001	ADAPTOR, SHOULDER, FENNER DRIVE	1	
13@	540003	PULLEY, W/BRG. 4" A SECTION	1	
14@	25716	SCREW, MODIFIED 1/2-13 X 1 3/4	1	
15	13016	BELT DRIVE JACKSHAFT ASSY.	1	INCLUDES ITEMS W/\$
16\$	540030	PULLEY, 4.125 x .750 1A	2	
17\$	925437	SCREW, SHS,CP 5/16-18 x 3/8	4	
18\$	576003	SNAP RING - HO-185	2	
19\$	460021	BEARING, ROLLER # 6204 2RS	2	
20\$	25845	JACKSHAFT ARM	1	
21\$	584013	KEY, 3/16 SQ x 1.0	2	
22\$	167001	JACKSHAFT, SAW BELT DRIVE	1	
23\$	10307	SCREW, HHC 1/2-13 X 5	1	
24\$	933244	WASHER, FLAT SAE 1/2 GRD 9 YZ	2	
25\$	960102	FITTING, GREASE ZERK STR 1/8 MP	1	
26\$	10176	NUT, NYLOC 1/2-13	1	
27	120081	MOUNT, TENSIONER	1	
28	0205	SCREW, HHC 3/8-16 X 1	2	
29	933242	WASHER, FLAT SAE 3/8 GRD 9 YZ	2	

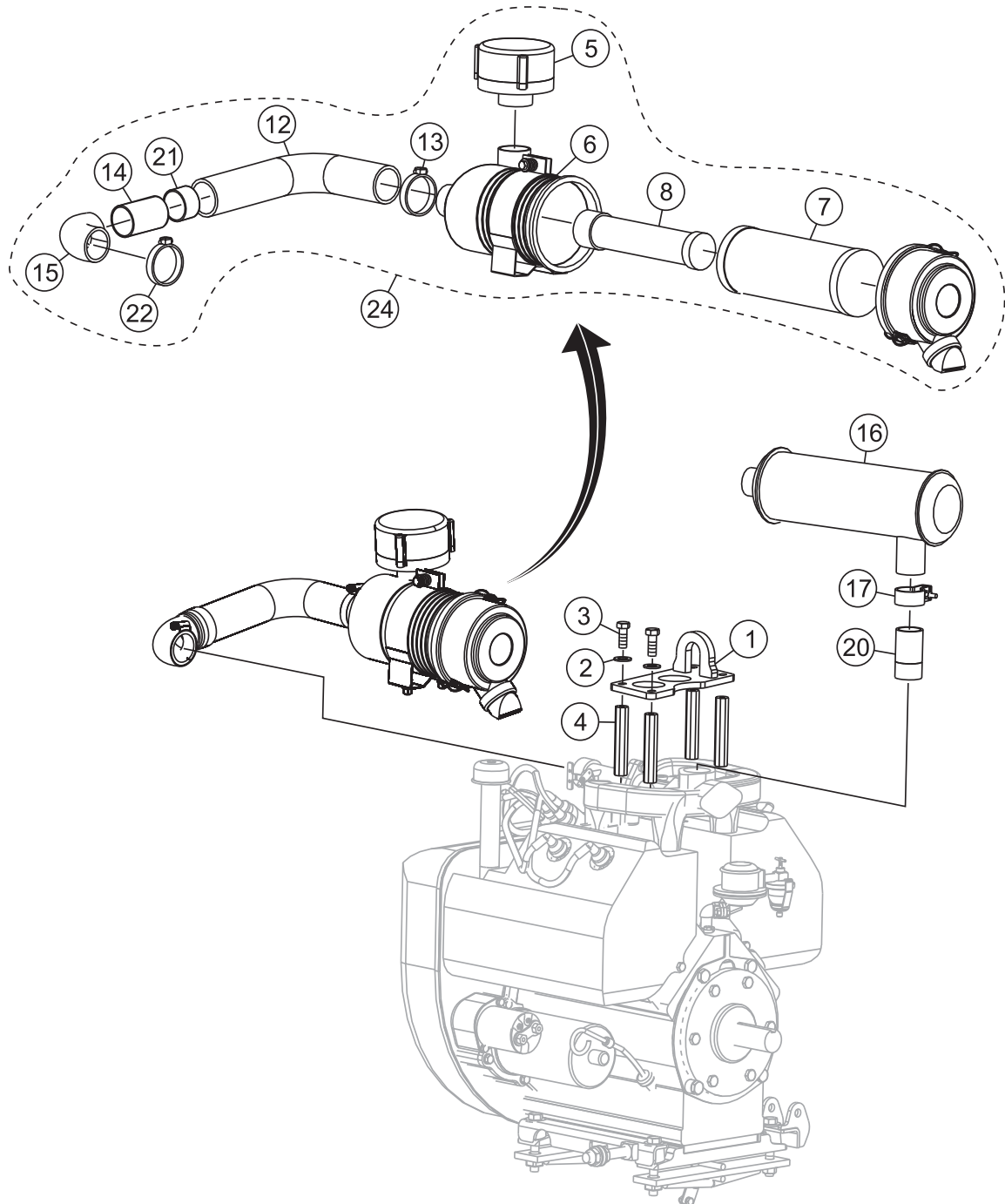
Battery Assy.



Battery Assy.

<u>NO</u>	<u>PART NO</u>	<u>PART NAME</u>	<u>QTY.</u>	<u>REMARK</u>
1	404000	BATTERY, GROUP 26R	1	
2	25838	MOUNT, BATTERY CLAMP	1	
3	19303	CABLE, BATTERY POS 4 GA X 48" POST	1	
4	TBD	CABLE, BATTERY POS	1	
5	16782	CABLE, 24" POS	1	
6	TBD	CABLE, BATTERY NEG	1	
7	12022	CABLE, BATTERY NEG 4 GA X 20" X 1/2"	1	
8	933242	WASHER, FLAT SAE 3/8 GRD 9 YZ	2	
9	933240	WASHER, FLAT SAE 1/4 GRD 9 YZ	1	
10	10133	NUT, NYLOC 3/8-16	1	
11	10024	NUT, NYLOC 1/4-20	1	
12	35023	CLAMP, LOOM CUSHIONED #10 .263 HOLE	1	
13	1023	SCREW, HHC 3/8-16 X 1 1/4 GR 5	1	
14	12278	CABLE, BATTERY NEG POST 4 GA X 32 X 3/8	1	
15	TBD	BATTERY CABLE KIT	1	

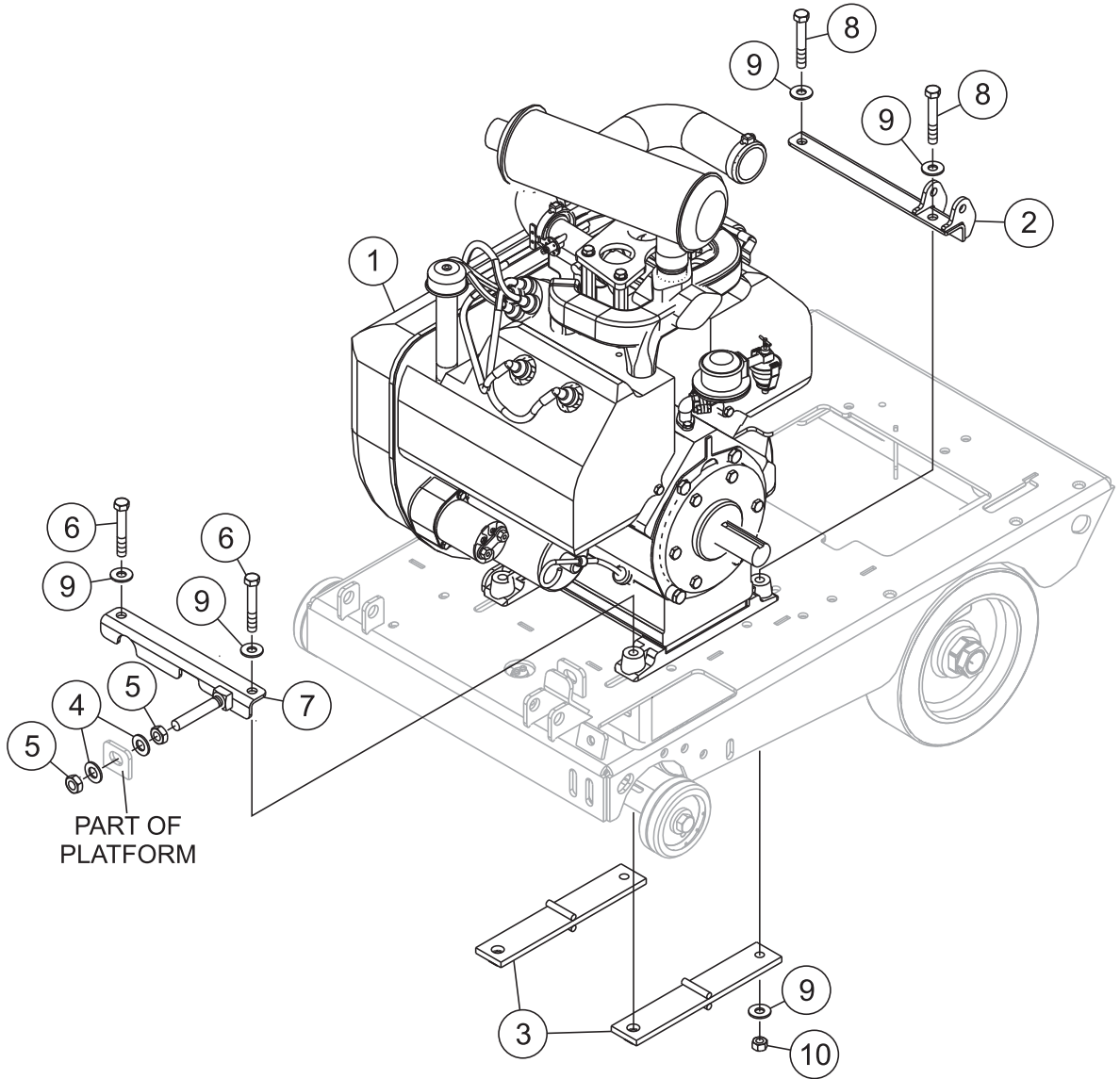
Engine Brackets Assy.



Engine Brackets Assy.

<u>NO</u>	<u>PART NO</u>	<u>PART NAME</u>	<u>QTY.</u>	<u>REMARK</u>
1	125034	LIFTING RING	1	
2	933242	WASHER, FLAT SAE 3/8 GRD 9 YZ	4	
3	915105	SCREW, HHC 3/8-16 X 1.0 GRD8	4	
4	125016-3	STANDOFF, LIFTING PLATE 35HP	4	
5#	282002	PREFILTER, ENGINAIRE 3" 2-20/150	1	
6#	300000	AIR FILTER HOUSING, ASM	1	
7#	300000-1	FILTER, AIR, ELEMENT, PRIMARY	1	
8#	300000-2	FILTER, AIR, ELEMENT, SAFETY	1	
12#	364002	HOSE, 2" 90 DEGREE	1	
13#	10434	CLAMP, HOSE WORM 1-9/16 TO 2.0 # 32	1	
14#	364003	COUPLER, HOSE INTAKE	1	
15#	364000	HOSE, 2" X 1 3/4" 90 DEGREE	1	
16	280000	MUFFLER, WISCONSIN 35, STANDARD	1	
17	2534	CLAMP, MUFFLER	1	
20	25719	NIPPLE, EXHUAST PIPE SCH 40	1	
21#	35098	CLAMP, HEAT SHRINK TUBING 2.5" - 2.75"	1	
22#	962015	CLAMP, HOSE #28 1-5/16X2-1/4	1	
24	35182	AIR INTAKE GROUP	1	INCLUDES ITEMS W/#

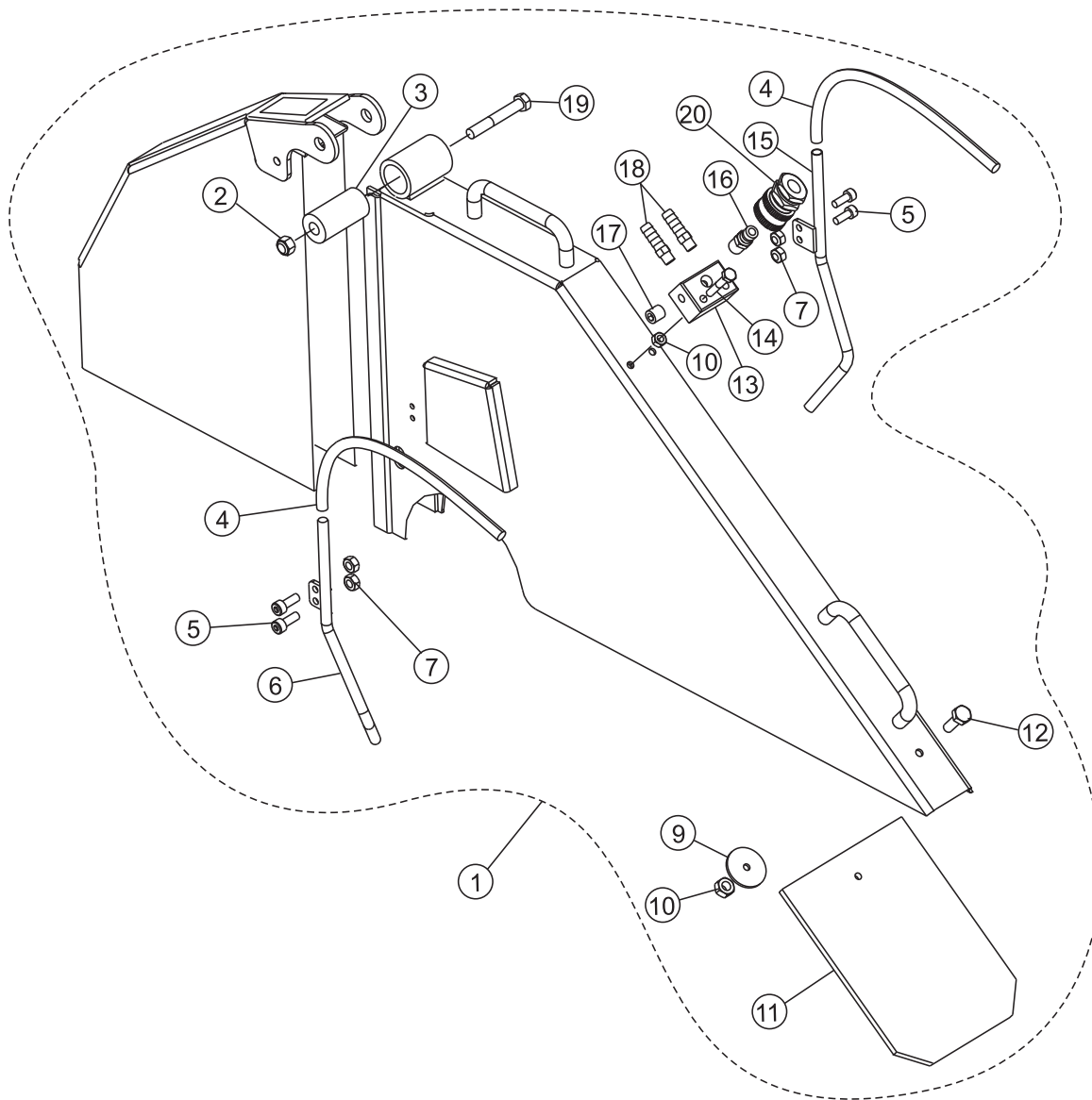
Engine Installation Assy.



Engine Installation Assy.

<u>NO</u>	<u>PART NO</u>	<u>PART NAME</u>	<u>QTY.</u>	<u>REMARK</u>
1	15500	ENGINE, WISCONSIN W41770-467438R	1	
2	25813	MOUNT, JACKSHAFT PIVOT ARM	1	
3	120079	MOUNT, MOTOR TENSIONER	1	
4	933246	WASHER, FLAT SAE 5/8 GRD 9 YZ	2	
5	4702	NUT, HEX FINISH 5/8-11	2	
6	06503-026	SCREW, HHC 1/2-13 X 3-1/4	2	
7	25836	MOUNT, ENGINE TENSIONING	1	
8	913217	SCREW, HHC 1/2-13 X 3 1/2 GR5 WZ	2	
9	933244	WASHER, FLAT SAE 1/2 GRD 9 YZ	8	
10	10176	NUT, NYLOC 1/2-13	4	

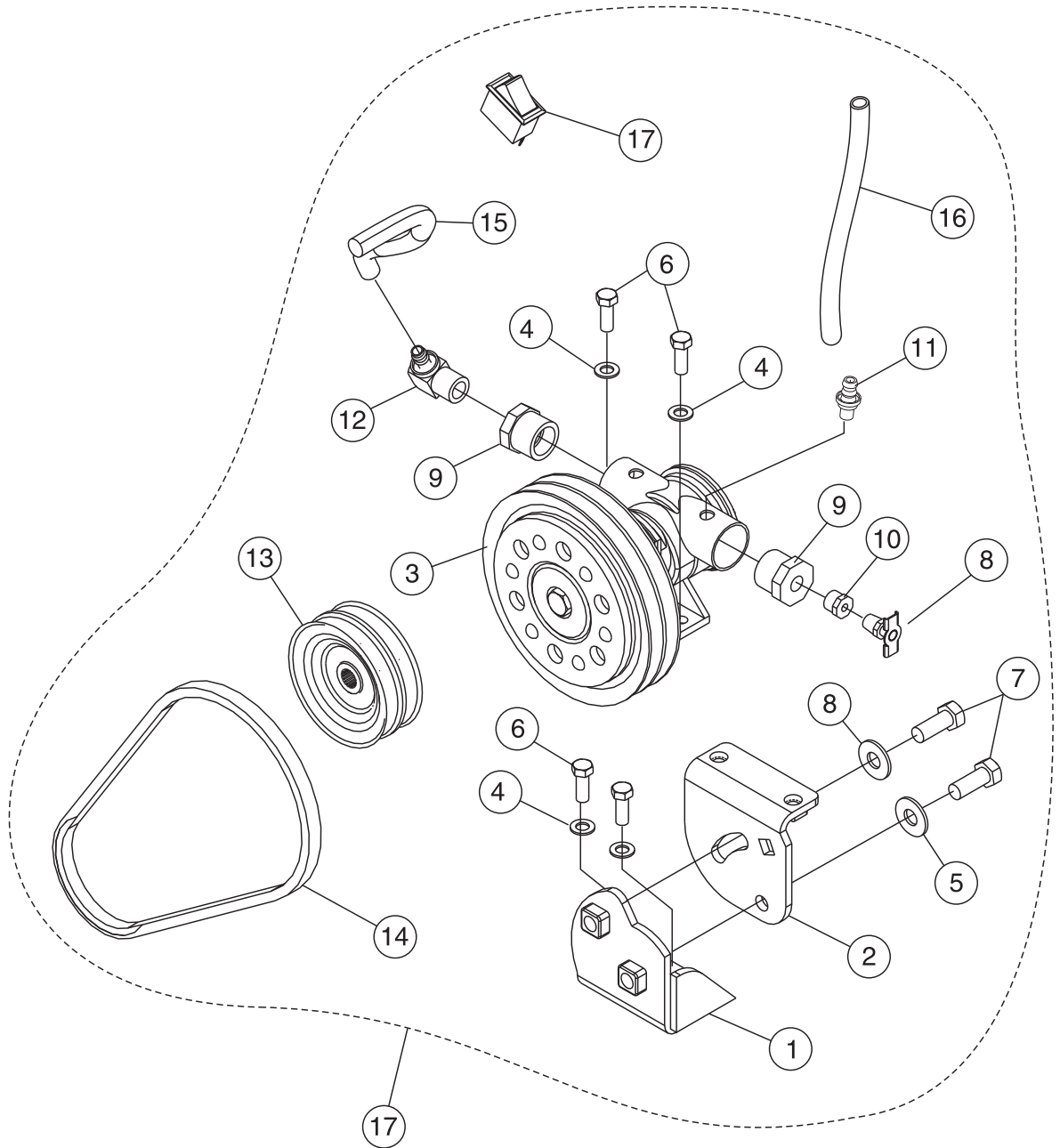
Bladeguard Assy.



Bladeguard Assy.

<u>NO</u>	<u>PART NO</u>	<u>PART NAME</u>	<u>QTY.</u>	<u>REMARK</u>
1	M18100	BLADE GUARD 16-INCH	1	
1	M18140	BLADE GUARD 20-INCH	1	
1	M18180	BLADE GUARD 26-INCH	1	
1	M18220	BLADE GUARD 30-INCH	1	
2	10176	NUT, NYLOCK	1	
3	582040	BUSHING, BLADE GUARD	1	
3	582039	BUSHING, BLADE GUARD.....	1	30-INCH ONLY
4	362000	HOSE, WATER #6LP	2	
5	923144	SCREW, SHC 10-24X12	4	
6	362003	TUBE, WATER, LH SIDE	1	
7	1618	NUT, NYLOCK 10-24	4	
9	933209	WASHER, FENDER 1/4" X1-1/2" ZINC	1	
10	10024	NUT, NYLOCK 1/4-20	3	
11	200019	FLAP, MUD	1	
12	0131 A	SCREW, HHC 1/4"-20 X3/4"	1	
13	445002	WATER MANIFILD	1	
13	445003	WATER MANIFILD.....	1	30-INCH ONLY
14	5277	SCREW, HHC 1/4"-20 X1-1/2"	2	
15	36002	TUBE, WATER, RH SIDE	1	
16	320010	FITTING, QD MALE SNAPTITE PHN4 1/4" MP	1	
17	2113	FITTING, PLUG 1/8" MP HEX SKT HD	1	
18	370455	FITTING, STR 6BARB-1/8" MP	2	
19	06503-026	SCREW, HHC 1/2-13 X3-1/4"	1	
19	06503-030	SCREW, HHC 1/2-13 X3-3/4"	1	
20	320009	FITTING, QD FEM SNAPTITE PHC4-4F	1	

Optional Water Pump Kit Assy.

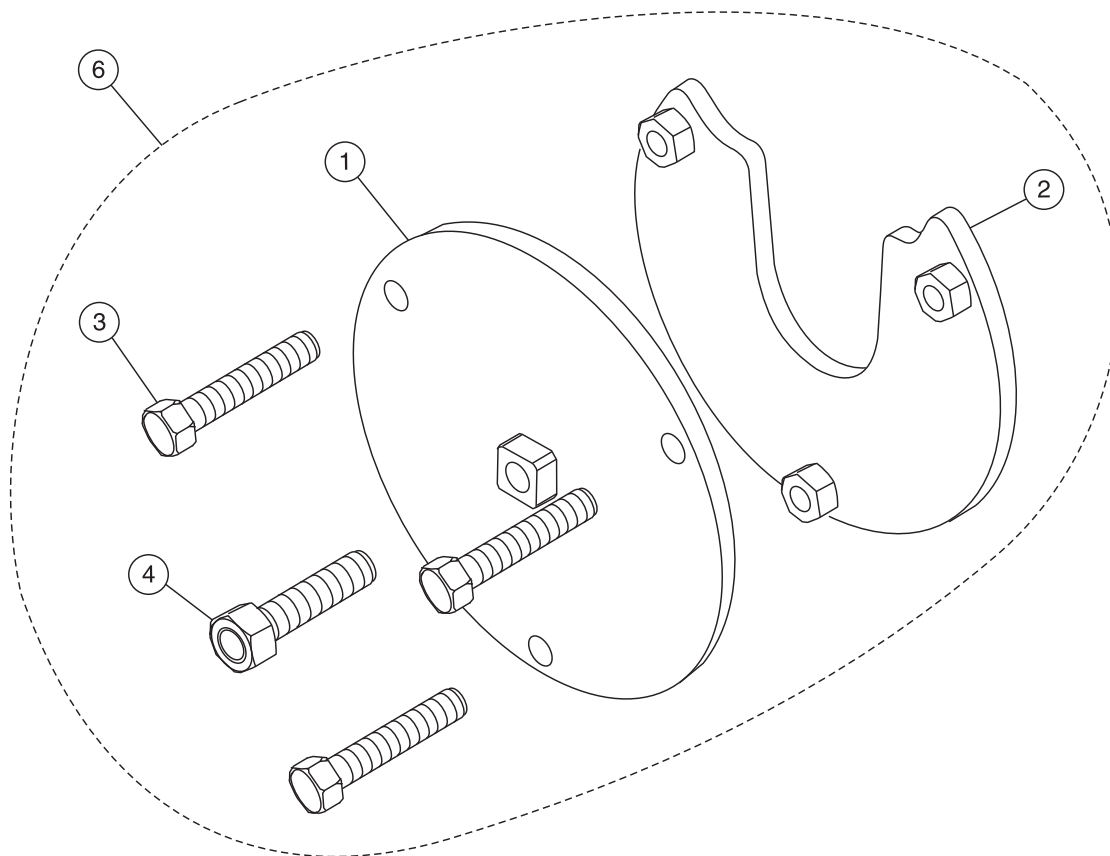


MQ SP-3035 Concrete Saw — Optional Water Pump Kit Assy.

Optional Water Pump Kit Assy.

<u>NO</u>	<u>PART NO</u>	<u>PART NAME</u>	<u>QTY.</u>	<u>REMARK</u>
1	M18100	BLADE GUARD 16-INCH	1	
1	120084	DESCRIPTION	1	
2	120085	MOUNT, WATER PUMP	1	
3	342000	PUMP, WATER JABSCO	1	
4	933242	WASHER, FLAT SAE 3/8 GRD 9 YZ	4	
5	933244	WASHER, FLAT SAE 1/2 GRD 9 YZ	2	
6	205	SCREW, HHC 3/8-16 X 1.0	4	
7	16524	SCREW, HHC 1/2-13 X 1 1/4 GD 8	2	
8	369970	FITTING, PETCOCK RAD DRAIN 1/4MP	1	
9	366057	FITTING, BRASS 1/2FP-1MP	2	
10	366956	FITTING, BRASS 1/4FP-1/2MP	1	
11	25932	FITTING, BRASS 8 PUSH-ON-1/4MP	1	
12	25931	FITTING, 90 8BARB - 1/2 MP (4390-8-8)	1	
13	540032	PULLEY, 4.12 X 2G A	1	
14	521005	V BELT, AX-31 (GOODYEAR)	1	
15	35257	HOSE, 1/2 ID PUSHLOCK 250 PSI, 18"	1	
16	35258	HOSE, 1/2 ID PUSHLOCK 250 PSI, 13"	1	
17	406000	SWITCH, ROCKER, CH# M-58031-01	1	

Collar Puller Assy.

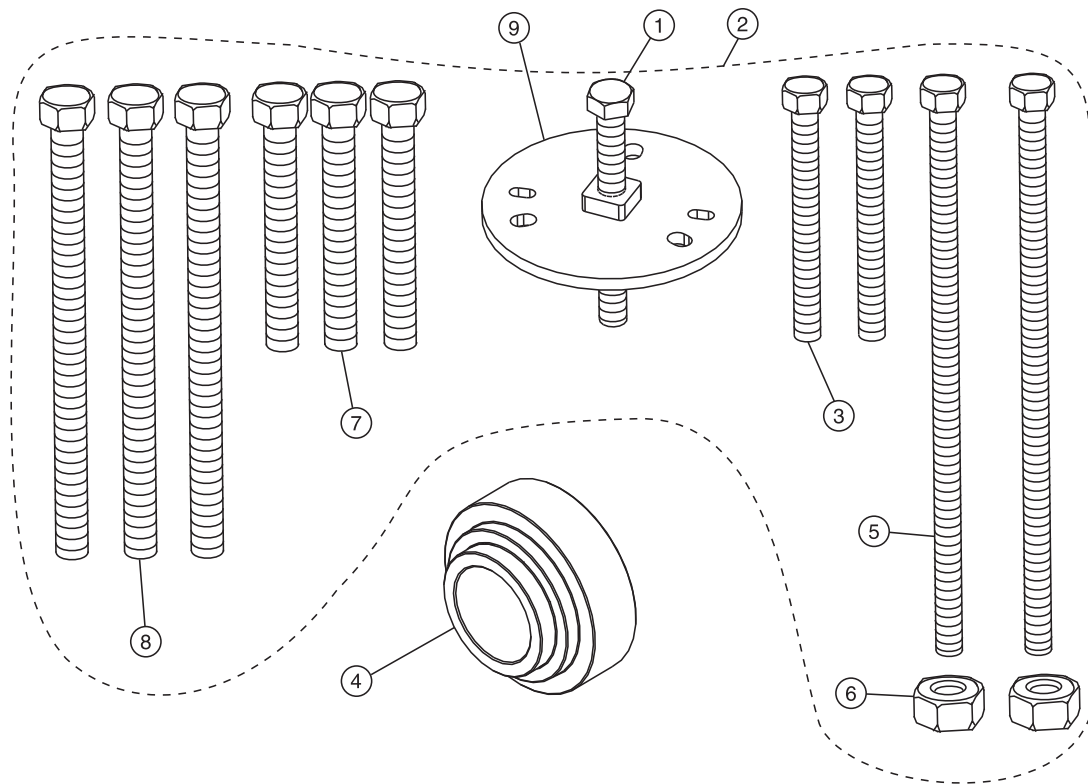


Collar Puller Assy.

<u>NO</u>	<u>PART NO</u>	<u>PART NAME</u>	<u>QTY.</u>	<u>REMARK</u>
1#	584037	OUTER PULLER	1	
2#	584038	PLATE, PULLER	1	
3#	2549	SCREW, HHC 1/2-13 X 3	3	
4#	25138	SCREW, HHC 5/8-11 X 5 TAP	1	
5#	18503-I	COLLAR PULLER INSTRUCTION SHEET	1	
6	18503	COLLAR PULLER	1	INCLUDES ITEMS W/#

MQ SP-3035 Concrete Saw — Seal Sleeve Puller Seal/Seal Installation Tool

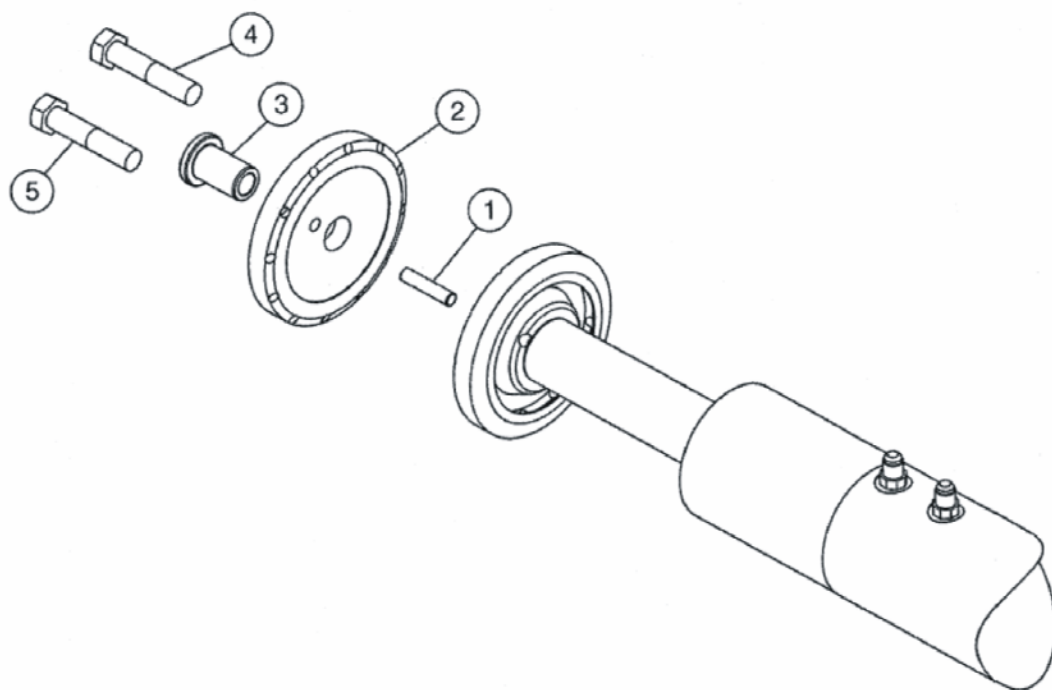
Seal Sleeve Puller/Seal Installation Tool



Seal Sleeve Puller/Seal Installation Tool

<u>NO</u>	<u>PART NO</u>	<u>PART NAME</u>	<u>QTY.</u>	<u>REMARK</u>
1#	35163	SCREW, HHC 3/8 – 16 X 4 FULL THREAD	1	
2	M18505	SEAL SLEEVE & THRUST WASHER PULLER ASM	1	INCLUDES ITEMS W/#
3#	35162	SCREW, 10 - 24 X 6 FULL THREAD	2	
4#	584052	SEAL INSTALLATION TOOL	1	
5#	35161	SCREW, 10 - 24 X 12 FULL THREAD	2	
6#	937980	NUT, WELD 10 - 24	2	
7#	35164	SCREW, HHC 1/4 – 20 X 5	3	
8#	35165	SCREW, HHC 1/4 – 20 X 10	3	
9#	584050	TOOL, SEAL REMOVAL	1	

Bushing Extension Kits



Bushing Extension Kits

BUSHING EXTENSION KIT 18501 (.375 — .75)

<u>NO</u>	<u>PART NO</u>	<u>PART NAME</u>	<u>QTY.</u>	<u>REMARK</u>
1	926949	DOWEL PIN, 3/8 X 2-1/4	1	
2	180003-1	OUTER COLLAR	1	
3	582032	QD BUSHING 3/8 TO 3/4	1	
4	90123445	5/8-11X 4 LH HEX BOLT	1	
5	915319	5/8-11X 4 RH HEX BOLT	1	

BUSHING EXTENSION KIT 18502 (.75 — 1.125)

<u>NO</u>	<u>PART NO</u>	<u>PART NAME</u>	<u>QTY.</u>	<u>REMARK</u>
1	926950	DOWEL PIN 3/8 X 2-1/2	1	
2	180003-1	OUTER COLLAR	1	
3	582033	QD BUSHING 3/4-1-1/8	1	
4	90123445	5/8-11X 4 LH HEX BOLT	1	
5	915319	5/8-11X 4 RH HEX BOLT	1	