

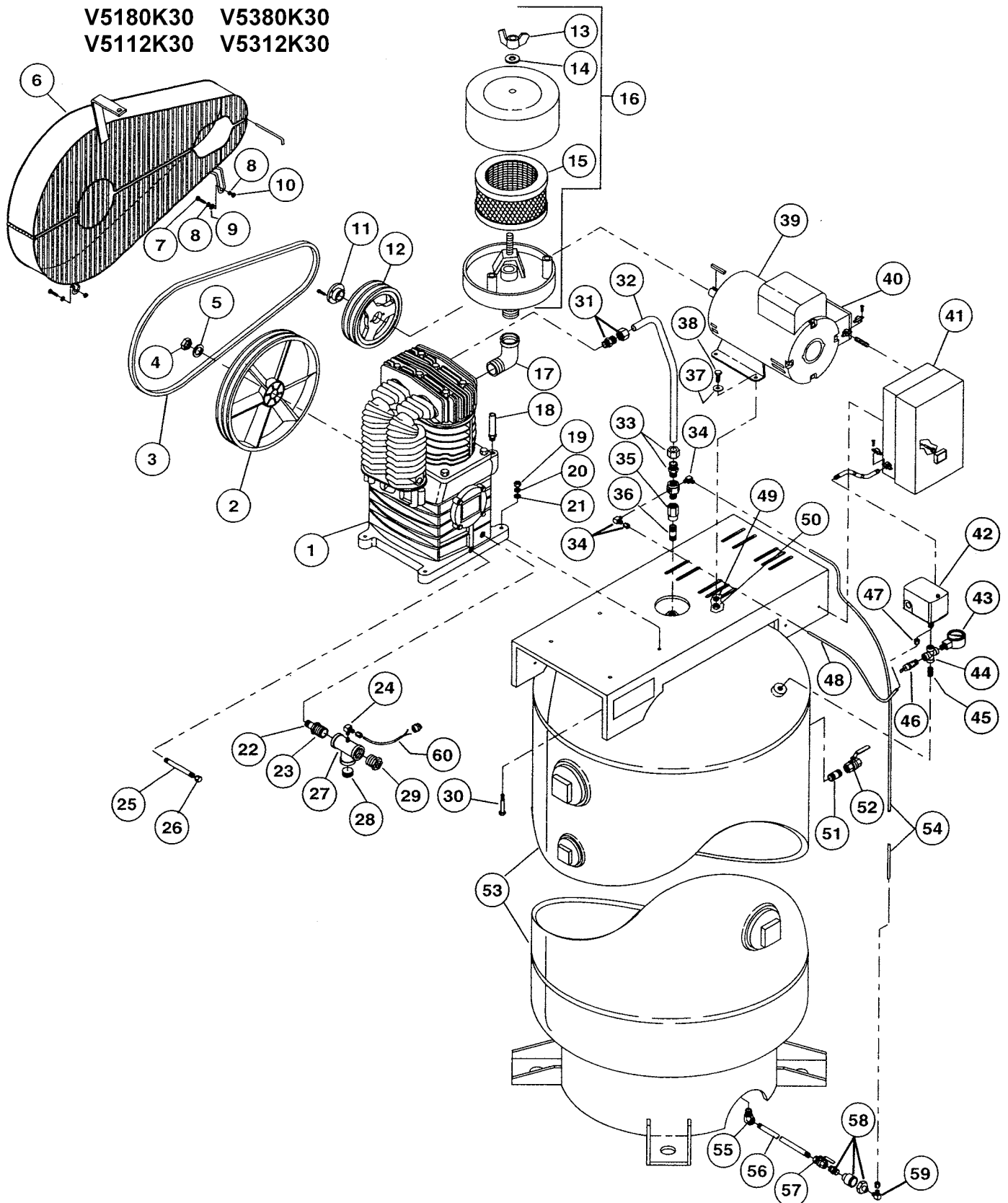
ROLAIR

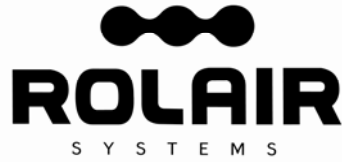
SCHEMATIC FOR MODELS

V5160K30 V5360K30

V5180K30 V5380K30

V5112K30 V5312K30





PARTS LIST FOR MODELS

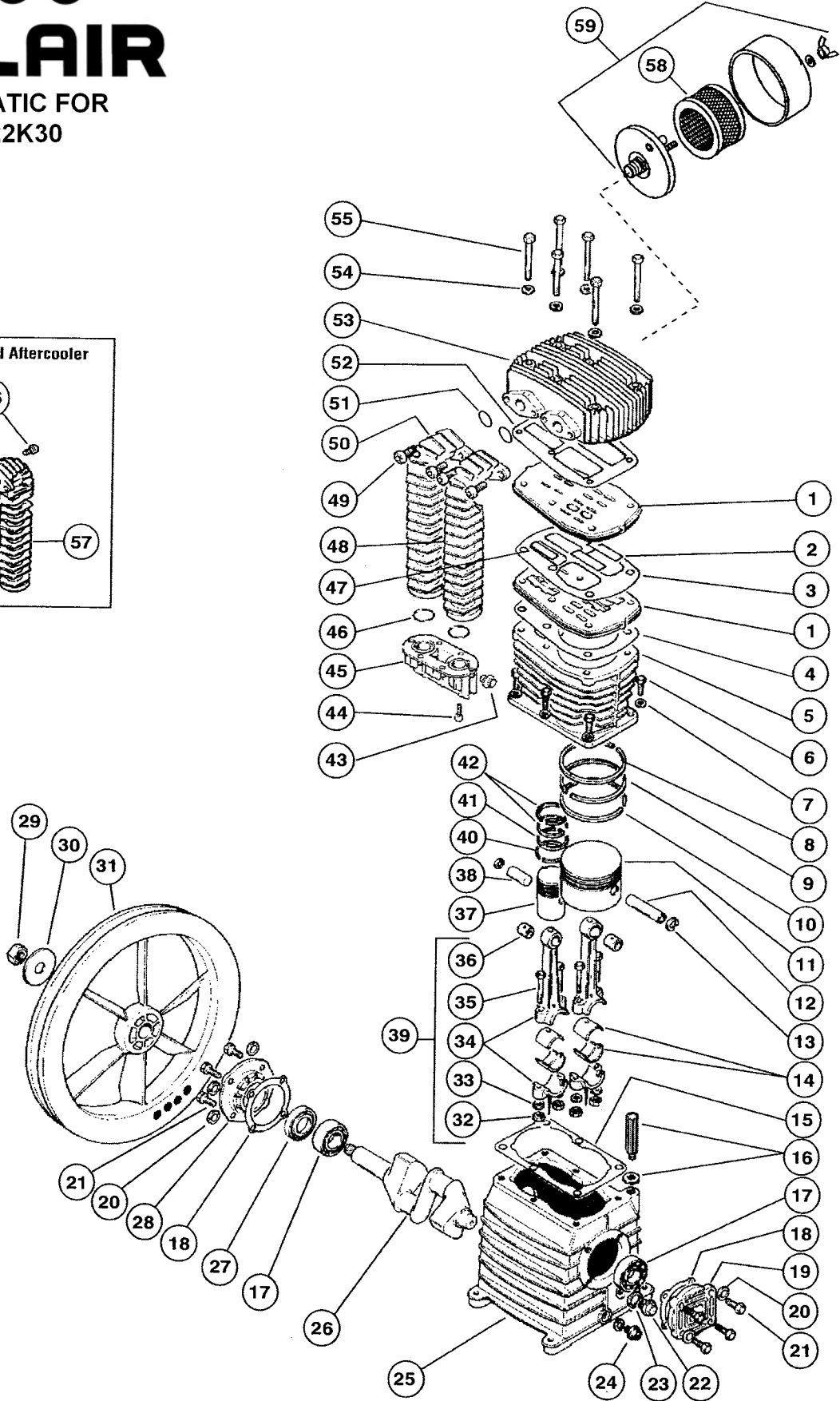
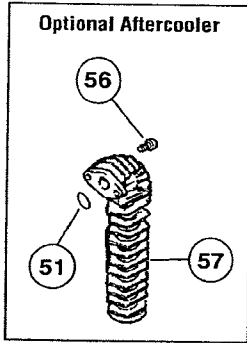
V5160K30, V5360K30
 V5180K30, V5380K30
 V5112K30, V5312K30

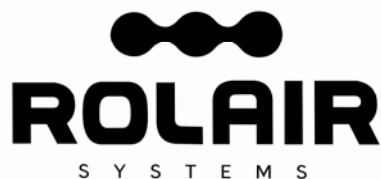
Schem. #	Description	Part #	Qty.	Schem. #	Description	Part #	Qty.	
1	II Stage Pump w/Flywheel	PMP22K30CH	1	34	Brass Elbow	BREL0250X012539	1	
	II Stage Pump Less Flywheel	PMP22K30CHLF	1	35	Check Valve (Standard Production)	CV4X4L1	1	
2	Flywheel	31003040CH	1		35	Check Valve (As Shown w/Automatic Tank Drain)	CV4X4L2	1
3	Belt	BTA66	2	36	Nipple	BLNP0500X1500	1	
4	Nut	37403780CH	1	37	Washer	MIS10103	4	
5	Washer	37502450CH	1	38	Bolt	MIS10022	4	
6	Belt Guard	BG128	1	39	5 HP Motor – 1 Phase "V51 Series"	MTRG104	1	
7	Bolt	MIS10005	2		39	5 HP Motor - 3 Phase "V53 Series"	MTRG303	1
8	Washer	MIS10102	2		40	Box Connector	161	2
9	Washer	MIS10103	2	41	Magnetic Starter, 1 Phase	MAG51F230V	1	
10	Nut	MIS10001	2		41	Magnetic Starter, 3 Phase	MAG53F230V	1
11	Bushing	H1X1.125	1	42	Pressure Switch	PS2020M	1	
12	Pulley	PU2BK80H	1	43	Gauge	GA0250300	1	
13	Wing Nut	FSNUT	1	44	Cross	BLCR0250	1	
14	Washer	FSWASHER	1	45	Nipple	BLNP0250X1500	1	
15	Filter Element	431	1	46	Safety Relief Valve	SRV0250A200	1	
16	Silencer/Filter Assembly	FS14075	1	47	Pressure Switch Relief Valve	PS2020RV	1	
17	Elbow	BLEL0750X90S	1	48	¼" Nylon Tubing – 18"	178D	1.5'	
18	3/8" Breather/Oil Fill Plug	36507050CH	1			Brass Nut	BRNT0250	2
19	Nut	MIS10040	4		Brass Ring	BRRG0250	2	
20	Lock Washer	MIS10100	4		Brass Sleeve	BRSL0250	2	
21	Washer	MIS10103	4	49	Lock Washer	MIS10099	4	
22	Nipple	BLNP0500X2500	1	50	Nut	MIS10020	4	
23	Bushing	BLBS1000X0500	1	51	Nipple	BLNP0500X2500	1	
24	Brass Elbow	BREL0250X025039	1	52	Shut-Off Valve	SOV0500B	1	
25	Nipple	BLNP0250X4000	1		52	Tank Assy. (60 Gallon)	TNK060AV	1
26	Cap	BLCA0250	1		53	Tank Assy. (80 Gallon)	TNK080AV	1
27	Tee	BLTE1000	1	53		Tank Assy. (120 Gal.)	TNK120AV	1
28	Plug	BLC SPL1000	1	54	¼" Copper Tubing	MIS11100	(Specify Length)	
29	Sight Gauge (Standard Prod.)	36500140CH	1	55	Elbow	BLEL0250X90S	1	
	Gasket (Standard Prod.)	30500130CH	1	56	Nipple	BLNP0250X4000	2	
	Sight Gauge (As shown on unit w/Low Oil Control)	TF050101AV	1	57	Shut-Off Valve	SOV0250B	1	
30	Bolt	MIS10043	4	58	Automatic Tank Drain	3800H	1	
31	Brass Straight	BRST0750X075038	1	59	Brass Elbow	BREL0250X012539	1	
32	¾" Copper Tubing – 18"	MIS11102A	1.5'	60	Low Oil Control	162745	1	
33	Brass Straight	BRST0750X050038	1					



ROLAIR

SCHEMATIC FOR PMP22K30





PARTS LIST FOR PMP22K30

Schem. #	Description	Part #	Qty.	Schem. #	Description	Part #	Qty.
1	Valve Plate	32702750CH	2	36	Bushing*	31102250CH	2
2	Valve - LP	32702400CH	4	37	Piston - HP	31203050CH	1
3	Gasket	30502280CH	1	38	Piston Pin - HP	31202240CH	1
4	Gasket	30502290CH	1	39	Connecting Rod Assy.	31101990CH1	2
5	Cylinder	31602020CH	1	40	Ring - HP	31202210CH	1
6	Bolt	37302420CH	6	41	Ring - HP	31202200CH	1
7	Washer	37504220CH	6	42	Ring - HP	31203390CH	2
8	Ring - LP	31202160CH	1	43	Plug	36506800CH	1
9	Ring - LP	31202170CH	1	44	Bolt	37302480CH	6
10	Ring - LP	31202180CH	1	45	Connector	3690211ACH	1
11	Piston - LP	31202190CH	1	46	O-Ring	30502400CH	2
12	Piston Pin - LP	31202230CH	1	47	Valve - HP	32702390CH	2
13	Snap Ring	37602260CH	4	48	Right Intercooler	32902720CH	1
14	Bearing Shell	31102130CH	2	49	Bolt	37302530CH	4
15	Gasket	30502300CH	1	50	Left Intercooler	32902710CH	1
16	3/8" Breather/Oil Fill Plug	36507050CH	1	51	O-Ring	30502500CH	2
				52	Gasket	30502270CH	1
17	Bearing	30302140CH	2	53	Head	31302700CH	1
18	Gasket	30502310CH	2	54	Washer	37502320CH	6
19	Bearing Carrier	30402740CH	1	55	Bolt	37308060CH	6
20	Washer	37508130CH	8	56	Bolt	37302530CH	2
21	Bolt	37301140CH	8	57	Aftercooler	32902730CH	1
22	Sight Gauge	36500140CH	1	58	Filter Element	431	1
23	Gasket	30500130CH	1	59	Silencer/Filter Assembly	FS14075	1
24	Plug	BLSQPL0250	1		KITS		
25	Crankcase	33102030CH	1		Gasket Set (3,4,15,18,23,52)	K30GASKETS	1
26	Crankshaft	30202000CH	1		Ring Set (8,9,10,40,41,42)	K30RINGS	1
27	Oil Seal	30302150CH	1		Valve Plate Assembly (1,2,3,4,47,52)	3000VK30	1
28	Bearing Carrier	30402800CH	1		Piston Assembly - LP (8,9,10,11,12,13)	3000PLPK30	1
29	Nut	37403780CH	1		Piston Assembly - HP (13,37,38,40,41,42)	3000PHPK30	1
30	Washer	37502450CH	1				
31	Flywheel	31003040CH	1				
32	Nut	37402590CH	4				
33	Washer	17500230CH	4				
34	Connecting Rod w/Upper Bushing	31101990CH	2				
35	Bolt	37302460CH	4				

*Bushing is not machined to fit piston pin if ordered separate from connecting rod and must be bored to .005" over O.D. of piston pin after being pressed into place.