



# INSTALLATION AND OPERATION MANUAL

EPA CERTIFIED  
WOOD BURNING  
STOVE

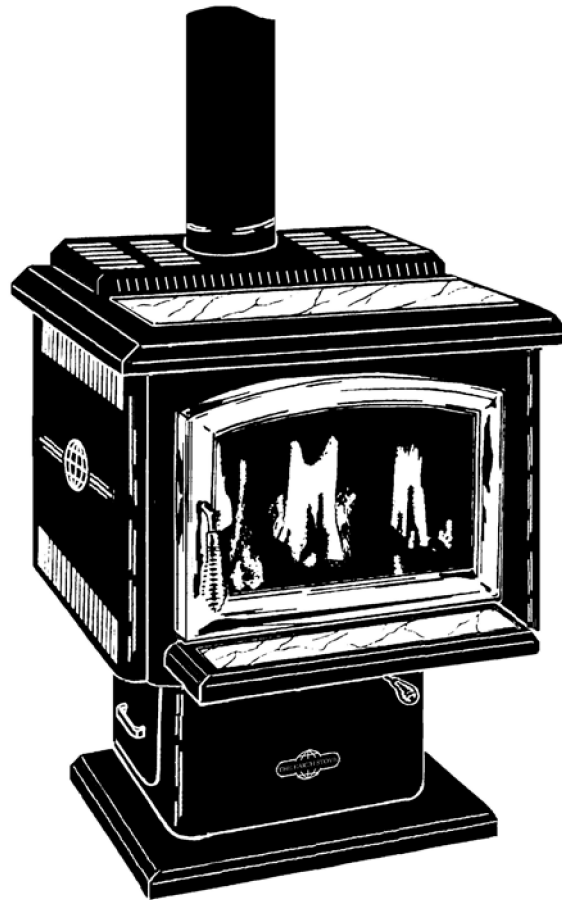


**www.nficertified.org**

We suggest that our wood-burning hearth products be installed and serviced by professionals who are certified in the U.S. by the National Fireplace Institute® (NFI) as NFI Woodburning Specialists or who are certified in Canada by Wood Energy Technical Training (WETT).



**Wood Energy  
Technical Training**  
www.wettinc.ca



RETAIN THESE  
INSTRUCTIONS  
FOR FUTURE  
REFERENCE

**MODEL 1900HT-M**

**THIS APPLIANCE MUST BE INSTALLED BY A QUALIFIED INSTALLER. READ  
ENTIRE MANUAL THOROUGHLY BEFORE INSTALLATION.**

P/N 775002M, Rev. F 11/03

Tested &  
Listed By  Beaverton  
Oregon USA

OMNI-Test Laboratories, Inc.

## REPLACEMENT PARTS FOR MODEL: 1900HT-M

PART NO.	DESCRIPTION
CAT. NO.	
	<b>Door Parts</b>
G300	Door Assembly, Gold (Handle Included)
86-128	Gasket Kit, 3/4" Door Rope (Includes Adhesive)
27M81	Gasket, Glass Channel
27M66	Clip Set, Glass
G400-7	Glass, Large Arched 11x 17" (Glass gasket not included)
10300	Handle Assembly
11529	Hinge Pin 10 L 18 (Original) (Requires Welding)
11531	Hinge Pin 1/4-28 UNF (Retrofit), Requires Drill #3 (.213) & Tap
10362	Torque Plate (Latch)
	<b>Component Parts</b>
1135	Knob, Ash Drawer
27M80	Gasket, Ash Drawer 1/2 X 1/8" x 16'
907	Handle, Air Control
26M19	Module, Draft Control (controls burn rate. Includes gasket)
14440	Dial - A - Temp (rheostat)
MS1502	Marble Set, Gray (Also requires 1 each 1054 & 4 each 1051)
MS1505	Marble Set, Green (Also requires 1 each 1054 & 4 each 1051)
775002M	Installation / Operation Manual
	<b>Firebox Parts (see firebrick diagram, next page) note: all firebrick are 1 1/4" thick</b>
37200	Ash Drawer Assembly
26M20	Plate Set, Baffle
37075	Grate, Cast Iron (Requires 2)
37023	Clip W/Tab, Air Tube Retainer Rear
16056	Clip W/Tab, Air Tube Retainer Front & Middle
26M21	Tube, Secondary Air (3 each) – Tabs included

For the location of the nearest Dealer for replacement parts, contact:

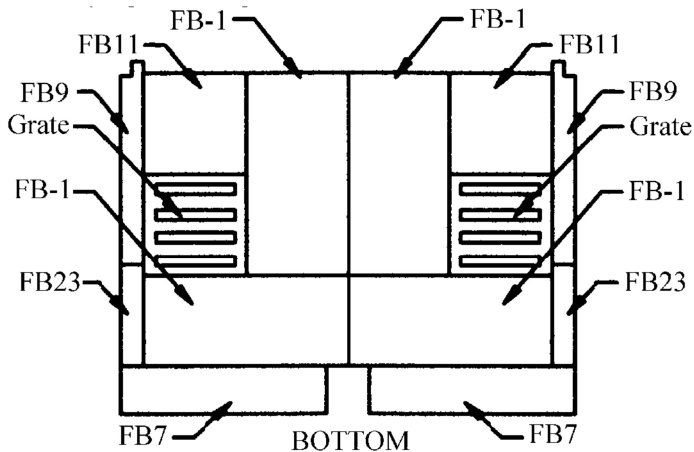
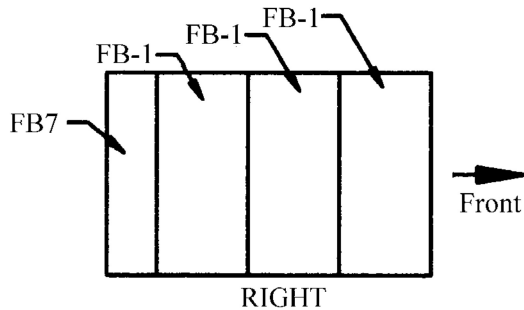
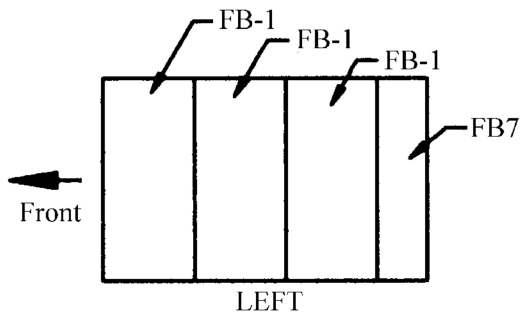
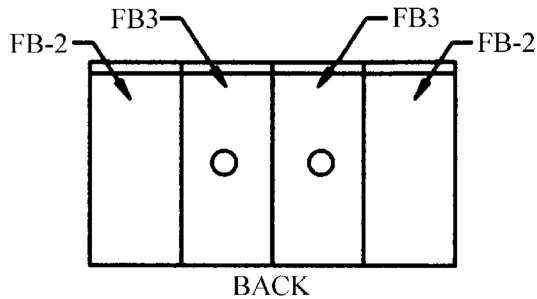
**Lennox Hearth Products  
1110 West Taft Avenue  
Orange, CA 92865**

# COMPONENT DIAGRAMS – Model 1900HT-M

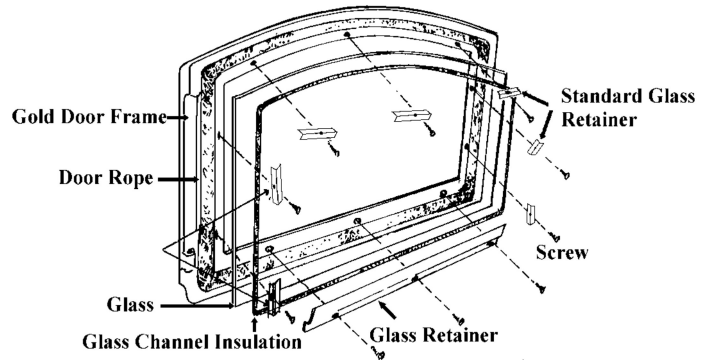
Firebrick (Note: All brick are 1 1/4" thick)

Part/Catalog #	Quantity	Dimensions	Part/Catalog #	Quantity	Dimensions
FB-1	10	9 x 4 1/2"	FB9	2	9 x 1" notched
FB-2	2	9 x 4 1/2" w/notch	FB11	2	4 1/2 x 4 1/2"
FB-3	2	9 x 4 1/2" w/hole	FB23	2	5 x 1"
FB7	4	9 x 2 1/8"	37075 (grate)	2	4 1/2 x 4 3/8"

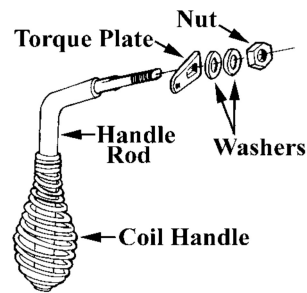
## FIREBRICK DIAGRAM



## DOOR ASSEMBLY



## HANDLE ASSEMBLY



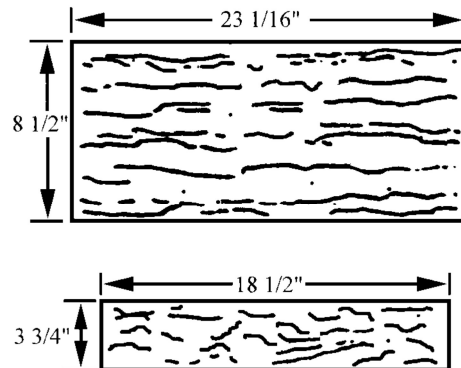
## MARBLE SETS

(INSETS FOR STOVE TOP & ASHLIP)

Part/Catalog# MS1502-Gray Marble Set

Part/Catalog# MS1505-Green Marble Set

Marble is a natural product and therefore each piece will have its own unique character.



## OPTIONAL ACCESSORIES- Model 1900HT-M

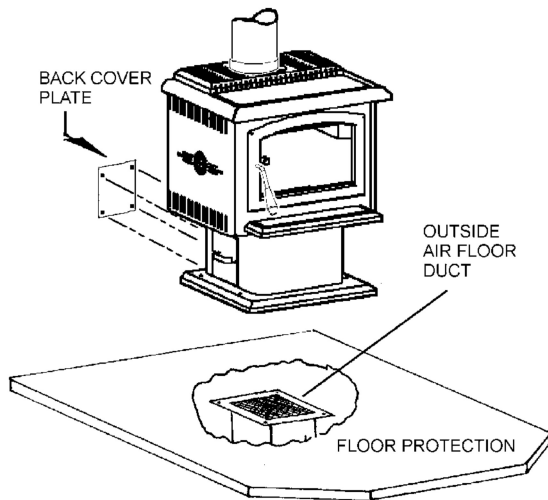
Note: Install and use accessories per instructions provided with the accessory kit.

Catalog #	Model	Description
14M67	OAFD-S	Outside Air Floor Duct 5 1/4" Square
14M68	BCP-19	Back Cover Plate
14M22	BK-100	Blower Kit Includes Dial-A-Temp for Variable Speed Control
14M21	SSK	Stove Stat Kit Thermally Controls Blower
70K99	TSPK-B	Touch-up Spray Paint Kit, Black 12 oz Spray Can

### Outside Air Floor Duct (OAFD-S)

Outside air can be delivered for combustion air by utilizing this floor penetration duct.

(Duct penetration measures 5 1/4" square)

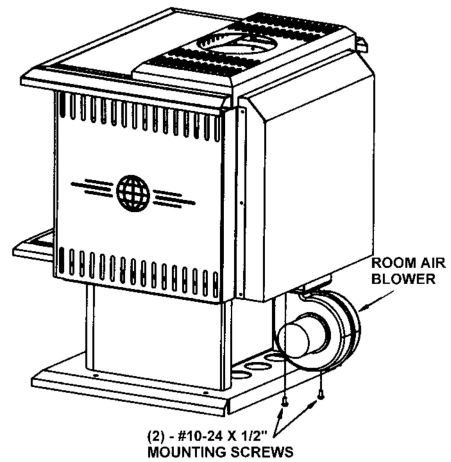


### Back Cover Plate (BCP-19)

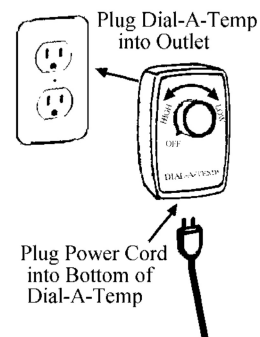
See illustration above. When using outside combustion air, the back cover plate is required to seal off the primary combustion air intake, so that it can no longer draw air from within the room.

### Blower Kit (BK-100)

A Blower Kit (includes rheostat for variable speed control) is available for increased heat circulation.



### Variable Speed Control, Dial-A-Temp



### Stove-Stat Kit (SSK)

To automate the blower system an additional Stove-Stat kit can be purchased. The Stove-Stat is a heat sensor switch that will automatically turn on the blower when the stove is hot and automatically turn it off when the stove is cool.

