

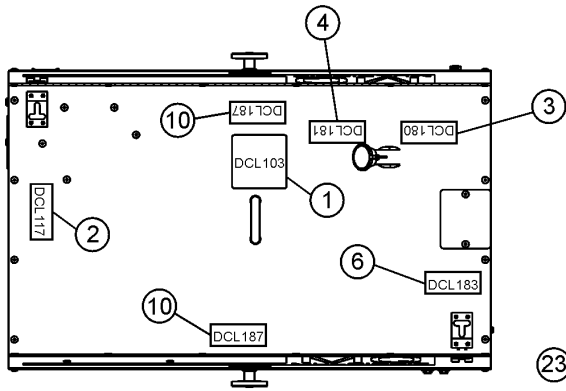
PARTS AND OPERATION MANUAL



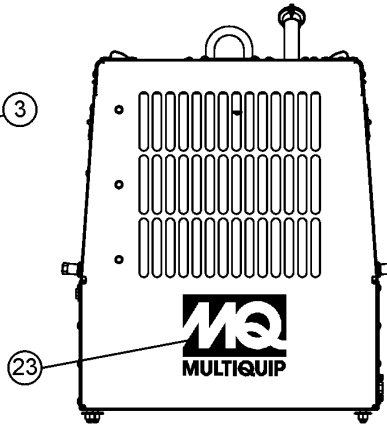
Model KD1800/KD6 A.C. GENERATOR USED WITH MLT SERIES MODULAR LIGHT TOWERS

Revision #1 (06/16/05)

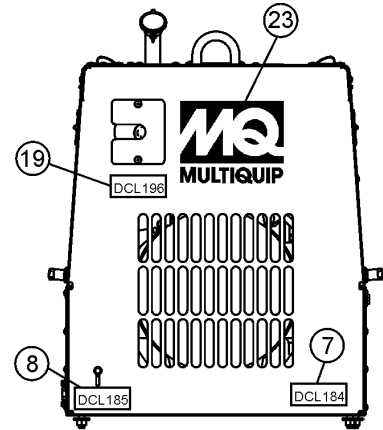
KD1800/KD6 — NAMEPLATE AND DECALS



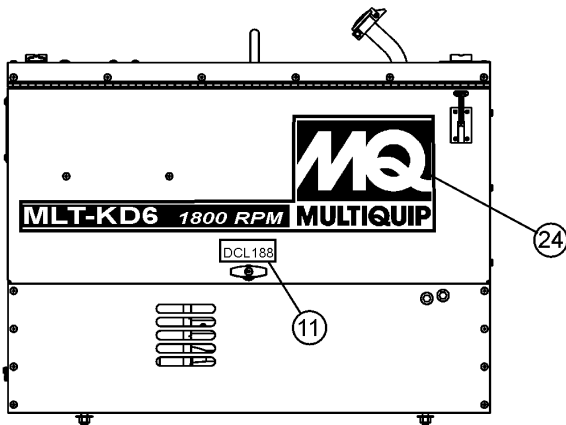
TOP VIEW



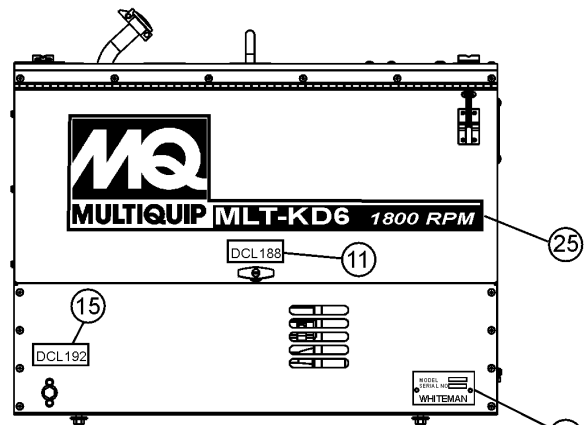
FRONT VIEW



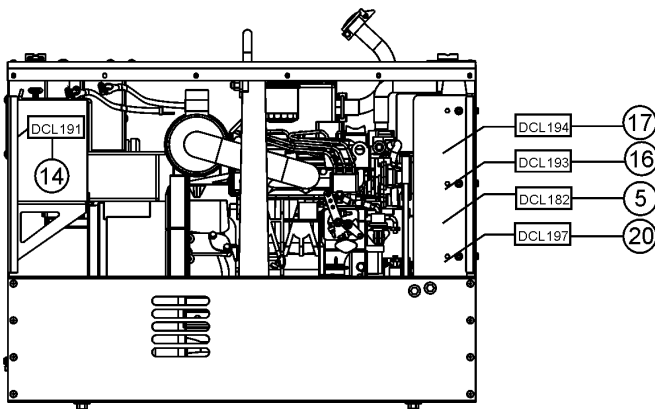
REAR VIEW



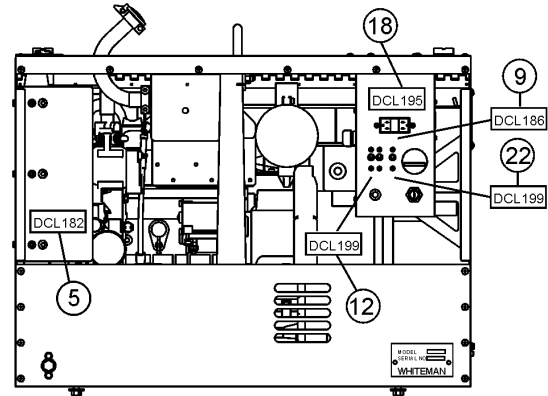
RIGHT-SIDE VIEW



LEFT-SIDE VIEW



RIGHT-SIDE VIEW
(DOOR REMOVED)



LEFT-SIDE VIEW
(DOOR REMOVED)

KD1800/KD6 — NAMEPLATE AND DECALS

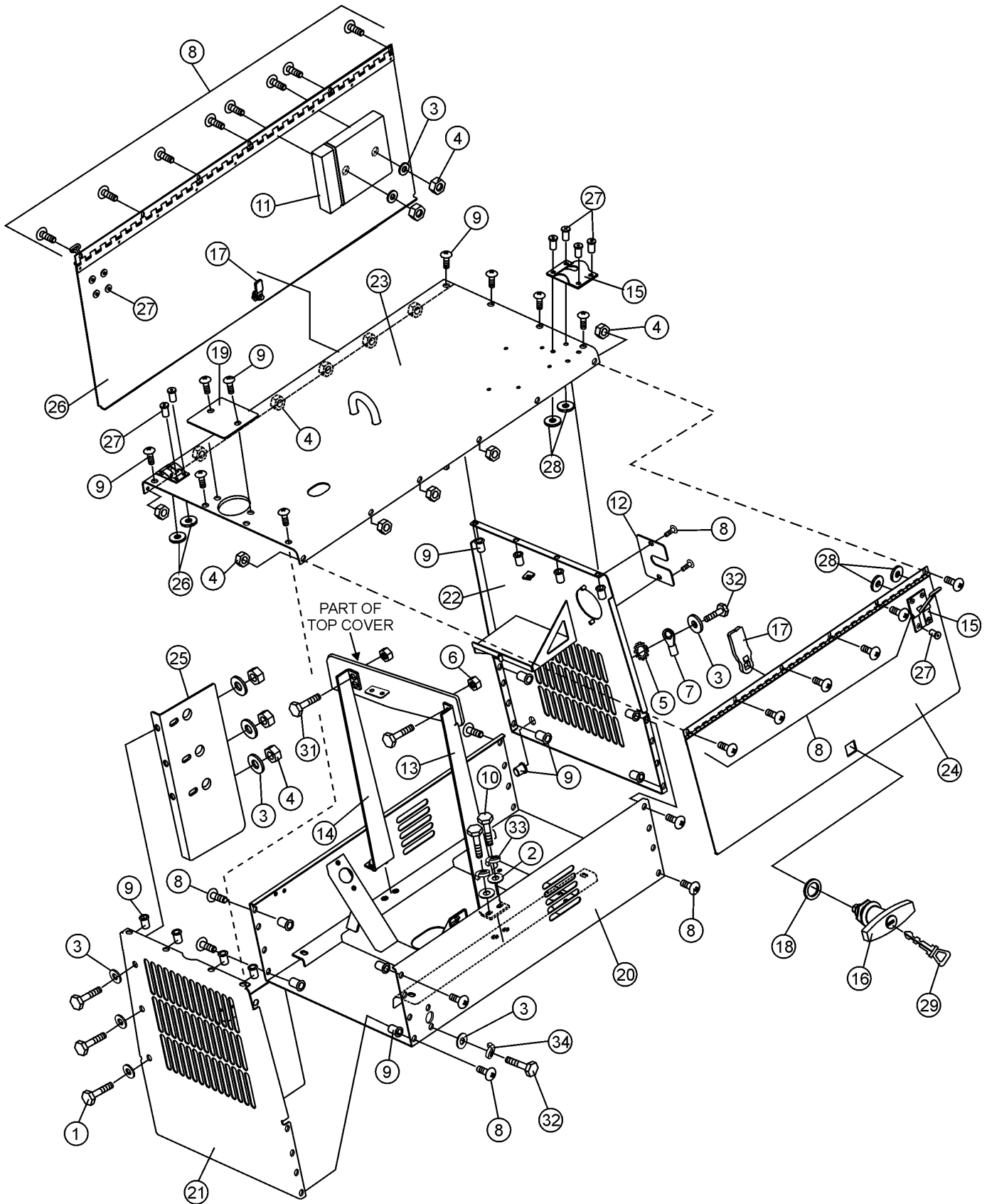
ENCLOSURE ASSY.

<u>NO.</u>	<u>PART NO.</u>	<u>PART NAME</u>	<u>QTY.</u>	<u>REMARKS</u>
1*	DCL103	DECAL: LIFTING HOOK	1	
2*	DCL117	DECAL: CAUTION SHUT-DOWN GENERATOR	1	
3*	DCL180	DECAL: WARNING DANGEROUS FUMES	1	
4*	DCL181	DECAL: CAUTION HOT PARTS, BURN SKIN	1	
5*	DCL182	DECAL: WARNING MOVING PARTS	2	
6*	DCL183	DECAL: HOT COOLANT	1	
7*	DCL184	DECAL: WARNING DIESEL FUEL	1	
8*	DCL185	DECAL: GROUND	1	
9*	DCL186	DECAL: GFCI, 120 VAC POWER, 15A OUTPUT	1	
10*	DCL187	DECAL: DANGER DO NOT TOUCH WIRING	2	
11*	DCL188	DECAL: OPERATE WITH DOORS CLOSED	2	
12*	DCL189	DECAL: 240 VAC/30A MAIN BREAKER	1	
13*	DCL190	DECAL: PRE-HEAT LAMP	1	
14*	DCL191	DECAL: DANGER EXPLOSIVE GAS	1	
15*	DCL192	DECAL: OIL DRAIN	1	
16*	DCL193	DECAL: CAUTION CHECK OIL LEVEL	1	
17*	DCL194	DECAL: CAUTION CHECK COOLANT LEVEL	1	
18*	DCL195	DECAL: OPERATING PROCEDURE	1	
19*	DCL196	DECAL: PLUG IN FLOOD LIGHT CABLE	1	
20*	DCL197	DECAL: OPERATE 1800 RPM	1	
21*	DCL198	DECAL: CONTROL PANEL	1	
22*	DCL199	DECAL: 120 VAC/15A GFCI BREAKER	1	
23	29360	DECAL: MQ MULTIQUIP	2	
24	29358	DECAL: MQ MULTIQUIP MLT-KD1800 (RIGHT)	1	UP TO S/N FK3000051
24	29358	DECAL: MQ MULTIQUIP MLT-KD6 1800 RPM (RIGHT)	1	
25	29359	DECAL: MQ MULTIQUIP MLT-KD1800 (LEFT)	1	UP TO S/N FK3000051
25	29359	DECAL: MQ MULTIQUIP MLT-KD6 1800 RPM (LEFT)	1	
26		DECAL: NAMEPLATE	1	CONTACT MQ SERVICE DEPT. W/MODEL AND S/N
27	29345	DECAL: KIT	1	INCLUDES ITEMS/*

SEE DECAL ILLUSTRATIONS ON PAGES 10 AND 11

KD1800/KD6 — ENCLOSURE ASSY.

ENCLOSURE ASSY.



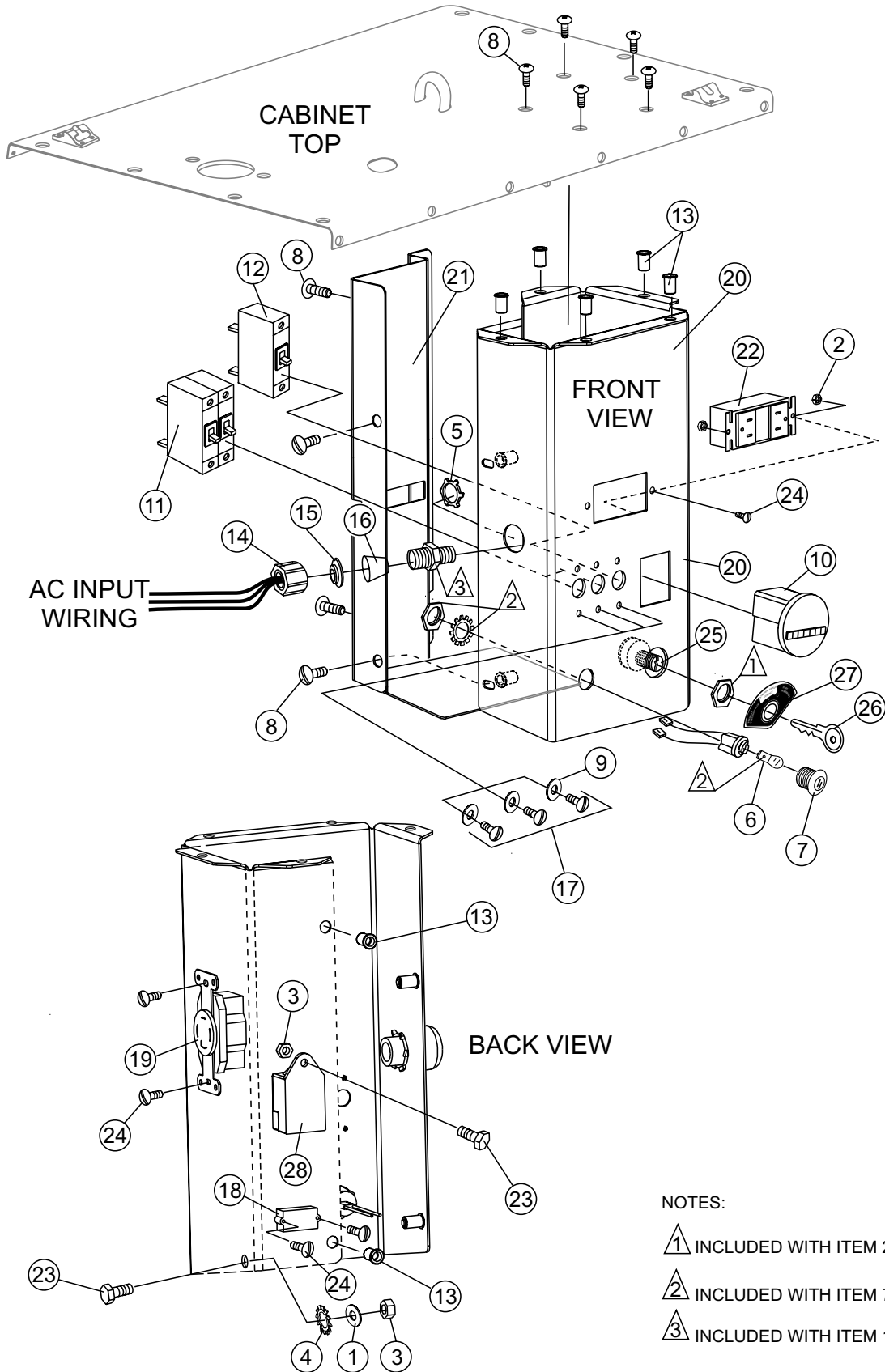
KD-1800 /KD-6 — ENCLOSURE ASSY.

ENCLOSURE ASSY.

<u>NO.</u>	<u>PART NO.</u>	<u>PART NAME</u>	<u>QTY.</u>	<u>REMARKS</u>
1	0131A	SCREW, HHC 1/4-20	3	
2	0447	WASHER, FLAT 1/2 SAE	4	
3	0948	WASHER FLAT, 1/4 SAE	11	
4	10024	NUT, NYLOC 1/4-20	17	
5	10031	WASHER, EXT SHKP 1/4	1	
6	10176	NUT, NYLOC 1/2-13	4	
7	10981	TERMINAL, RING 12 GA. X .312 INS	1	
8	12287	SCREW, THP 1/4-20 X 3/4 SS	42	
9	19266	RIVNUT 1/4-20	29	
10	2691	SCREW, HHC 1/2-13 X1	4	
11	29057	DOCUMENT BOX, (CP90007-07)	1	
12	29258	COVER, POWER CORD	1	
13	29260	SUPPORT, RIGHT-LEG	1	
14	29262	SUPPORT, LEFT-LEG	1	
15	29281	HOLD BACK, DOOR AUSTIN 5601-4	2	
16	29282	HANDLE, DOOR T-LOCKING	2	
17	29284	CAM, DOOR HANDLE	2	
18	29285	SPACER, DOOR HANDLE	2	
19	29291	COVER, RADIATOR CAP ACCESS	1	
20	29297	BASE, GEN SET W/A	1	
21	29298	PANEL, FRONT CABINET KD, W/A	1	
22	29299	PANEL. CABINET REAR, W/A	1	
23	29300	TOP, CABINET KD W/A	1	
24	29316	DOOR, KD1800 LEFT W/A	1	
25	29324	BRACKET, RADIATOR LEFT	1	
26	29340	DOOR, KD1800 RIGHT W/A	1	
27	29341	RIVET, POP 3/16" DIA X 1/4-3/8 SS	16	
28	29342	WASHER, 3/16" SS (POP RIVET SS	16	
29	29438	KEY, CABINET KD1800/KD6	2	
31	3214	SCREW, HHC 1/2-13 X 1-1/4	4	
32	4514	SCREW, HHC 1/4-20 X 5/8	3	
33	5054A	WASHER, LOCK, 1/2 MED	4	
34	0181B	WASHER, LOCK MED	2	

KD1800/KD6 — CONTROL BOX ASSY.

CONTROL BOX ASSY.



NOTES:

- ① INCLUDED WITH ITEM 25
- ② INCLUDED WITH ITEM 7
- ③ INCLUDED WITH ITEM 14

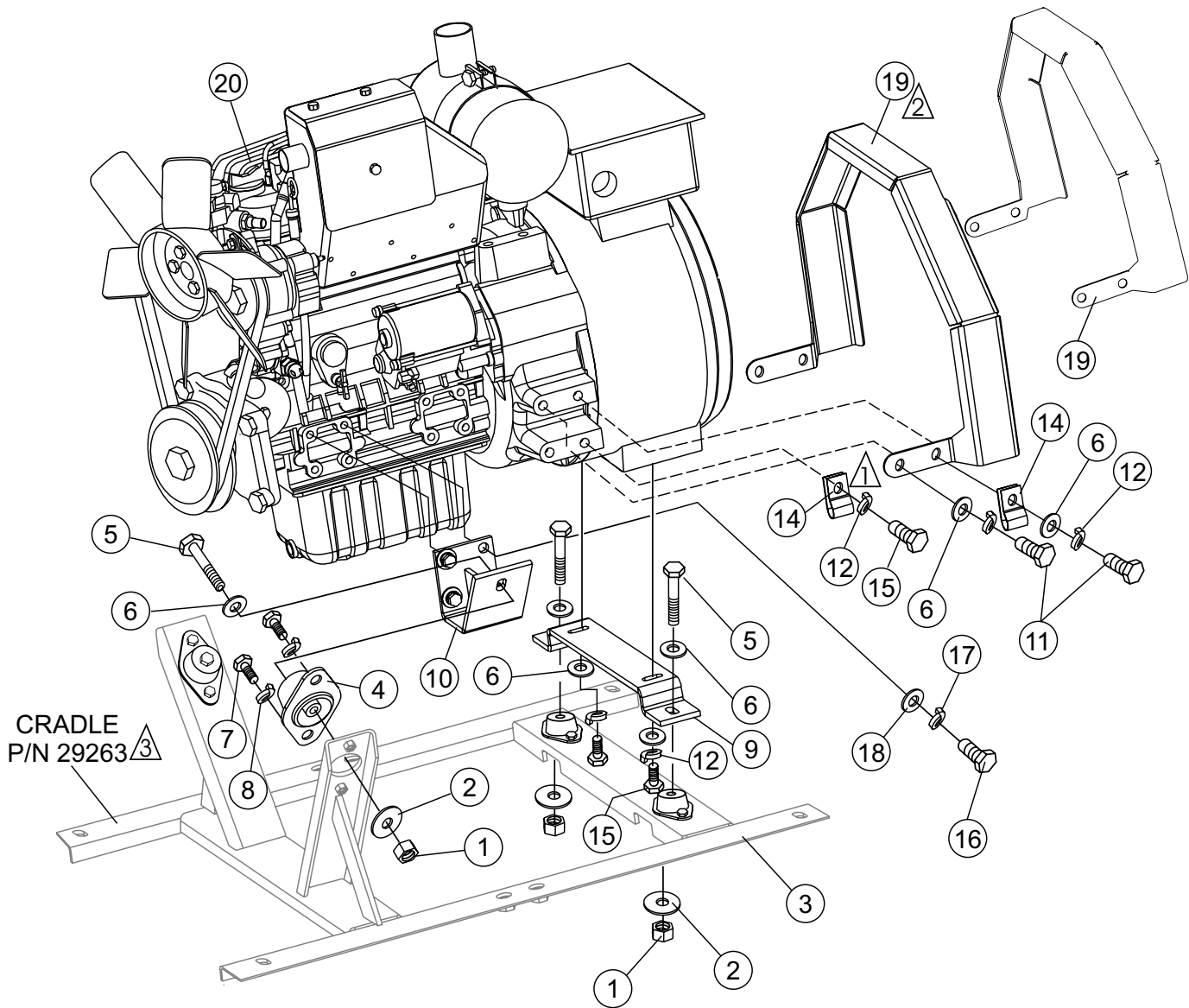
KD1800/KD6 — CONTROL BOX ASSY.

CONTROL BOX ASSY.

<u>NO.</u>	<u>PART NO.</u>	<u>PART NAME</u>	<u>QTY.</u>	<u>REMARKS</u>
1	0948	WASHER, FLAT, 1/4 SAE	2	
2	10019	NUT, NYLOC 10- 32	4	
3	10024	NUT, NYLOC 1/4- 20	2	
4	10031	WASHER, EXT. SHKP 1/4	1	
5	26560	NUT, LOCKING 3/4 NPT CONDUIT	1	
6	12307	+12 DCV BULB ASSY.	1	
7	29363	LIGHT, BLUE INDICATOR .75 DIA.	1	
8	12287	SCREW, THP 1/4- 20 X 3/4 SS	9	
9	1450	WASHER, FLAT # 6 SAE	6	
10	19212	HOUR METER ISSPRO R8861HV	1	
11	19223	CIRCUIT BREAKER, 30A 277V	2	
12	29376	CIRCUIT BREAKER, 15A, 277 VAC	1	
13	19266	RIVNUT 1/4- 20	9	
14	19695	CONN. STRAIN RELIEF, .625 TO .750	1	
15	6900446	SEAL RING .755 ID	1	
16	6900447	STRAIN RELIEF	1	
17	19819	SCREW, PAN HEAD 6- 32 X 1/4	6	
18	2673	CIRCUIT BREAKER (RE-SETTABLE), 30A, 12V	1	
19	29276	RECEPTACLE, 30A, 120/250 VAC	1	
20	29277	PANEL, CONTROL	1	
21	29325	SHROUD, CONTROL PANEL ASSEMBLY	1	
22	29343	DUPLEX OUTLET, 15A 120V GFCI	1	
23	4514	SCREW, HHC 1/4-20 X 5/8	2	
24	5065B	SCREW, RHM 10- 32 X 1/2	6	
25	20511	SWITCH, IGNITION W KEYS	1	
26	12940	KEY SET (KUBOTA)	1	
27	20486	DECAL, START	1	
28	29344	TIMER, GLOW PLUG (B905 KUBOTA)	1	

KD1800/KD6 — ENGINE MOUNTING HARDWARE ASSY.

ENGINE MOUNTING HARDWARE ASSY.



CRADLE
P/N 29263 ³

BASE AND CRADLE
SHOWN P/N 29297

CRADLE IS
WELDED
TO BASE

NOTES:

¹ ROUTE ENGINE CABLE HARNESS
THROUGH CLAMPS.

² USED WITH SERIAL NUMBERS
UP TO S/N FK3000051

³ ENGINE CRADLE CANNOT BE
PURCHASED SEPARATELY.
ORDER P/N 29297 FOR ENGINE
CRADLE AND BASE.

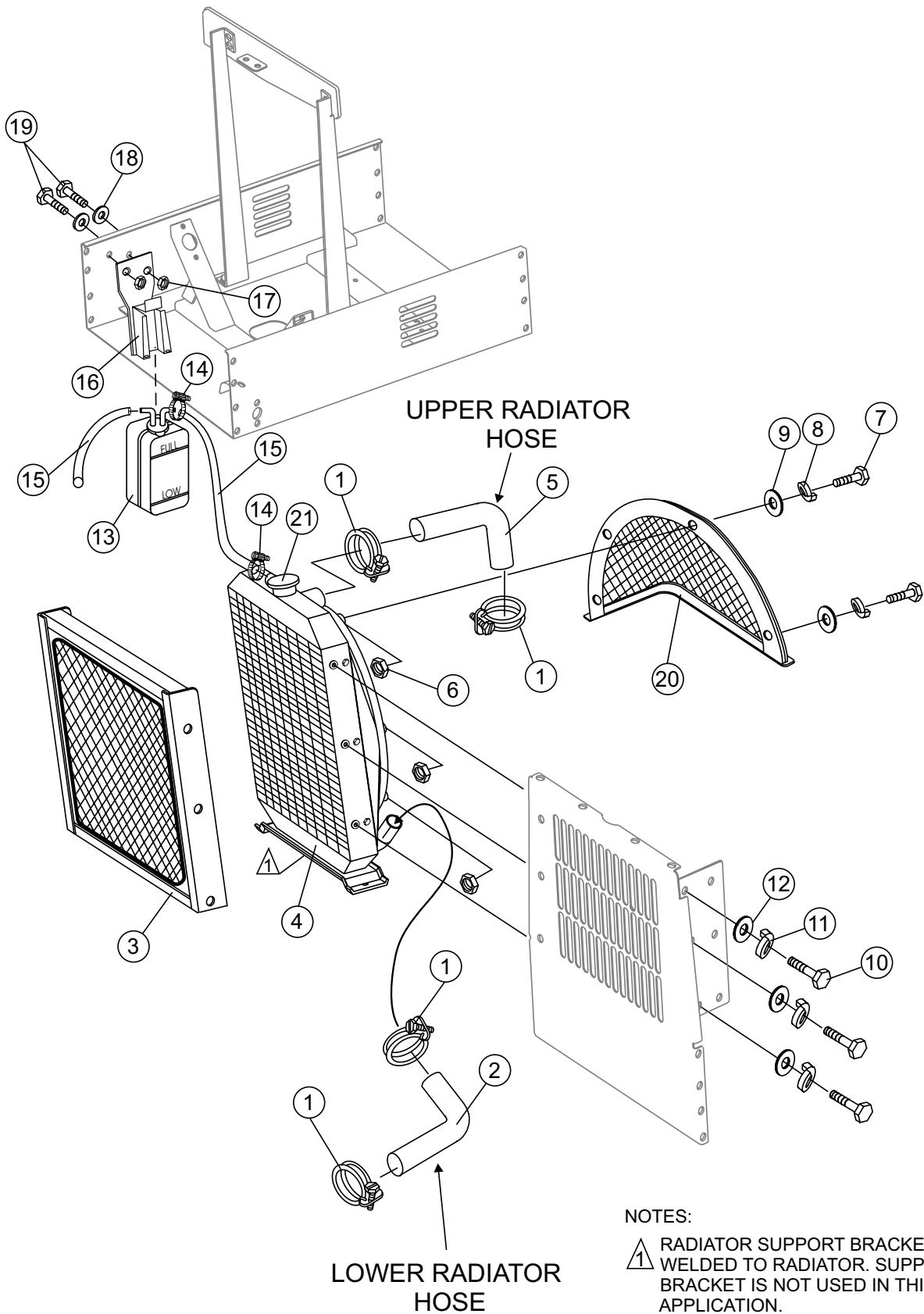
KD1800/KD6 — ENGINE MOUNTING HARDWARE ASSY.

ENGINE MOUNTING HARDWARE ASSY.

<u>NO.</u>	<u>PART NO.</u>	<u>PART NAME</u>	<u>QTY.</u>	<u>REMARKS</u>
1	10133	NUT, NYLOC 3/8"-16	5	
2	29336	WASHER SNUBBING, 2.00 O.D. x .45 I.D.	4	
3	29297	BASE ENG. SET W/A	1	CRADLE P/N 29263 IS WELDED TO BASE
4	29269	MOUNT, VIBRATORY ENGINE	4	
5	4370	SCREW, HHC 3/8"-16 x 2-1/4	4	
6	4001	WASHER, FLAT 3/8" PLTD, STD. USS	8	
7	0655	SCREW, HHC 5/16" x 18 x 1	8	
8	0161C	WASHER, LOCK, 5/16 MED	8	
9	29270	BRACKET, GENERATOR MOUNT	1	
10	29292	MOUNT, ENGINE (D905BG)	2	
11	0205	SCREW, HHC 3/8" x 16 x 1	4	
12	0166A	WASHER, LOCK	7	
14	8126	CLAMP, HOSE SUPPORT, 1/2"	2	
15	4196	SCREW, HHC 3/8"-16 x 3/4	3	
16	1162	HHC, SCREW M10 1.25 x 25 MM	8	
17	2955	WASHER, LOCK 7/16"	8	
18	10136	WASHER, FLAT 3/8	8	
19	29318	SHROUD, LARGE BOX MARATHON	1	UP TO S/N fk3000051
19	29319	SHROUD, SMALL BOX MARATHON	1	
20	19623	ENGINE ASSY. KUBOTA D905BG 12 HP	1	

KD1800/KD6 — RADIATOR ASSY.

RADIATOR ASSY.



KD1800/KD6 — RADIATOR ASSY.

RADIATOR ASSY.

<u>NO.</u>	<u>PART NO.</u>	<u>PART NAME</u>	<u>QTY.</u>	<u>REMARKS</u>
1	0931889039	CLAMP, HOSE	4	
2	1628672851	HOSE, RADIATOR (LOWER) 27 MM I.D.	1	
3	1941672251	NET, RADIATOR	1	
4	1661372062	RADIATOR ASSY.	1	
5	1626672941	HOSE, RADIATOR (LOWER)	1	
6	0205650060	NUT	4	
7	0105350614	BOLT	4	
8	0451250060	WASHER, LOCK	4	
9	0401450060	WASHER, PLAIN	4	
10	0102350612	BOLT	6	
11	0401550060	WASHER, SPLIT	6	
12	0948	WASHER, FLAT, 1/4 SAE	6	
13	11983	BOTTLE, OVERFLOW RADIATOR	1	
14	19473	CLAMP	2	
15	60013	HOSE .25 ID	4 FT.	
16	1944972502	OVERFLOW BOTTLE SUPPORT BRACKET	1	
17	10133	NUT, NYLOC 3/8"-18	2	
18	4001	WASHER, FLAT 3/8" PLTD STD. USS	2	
19	0166	SCREW, HHC 3/8"-16 x 7/8	2	
20	1661374121	COVER, FAN 380 MM BOLT CIRCLE	1	
21	1527272020	CAP, RADIATOR	1	

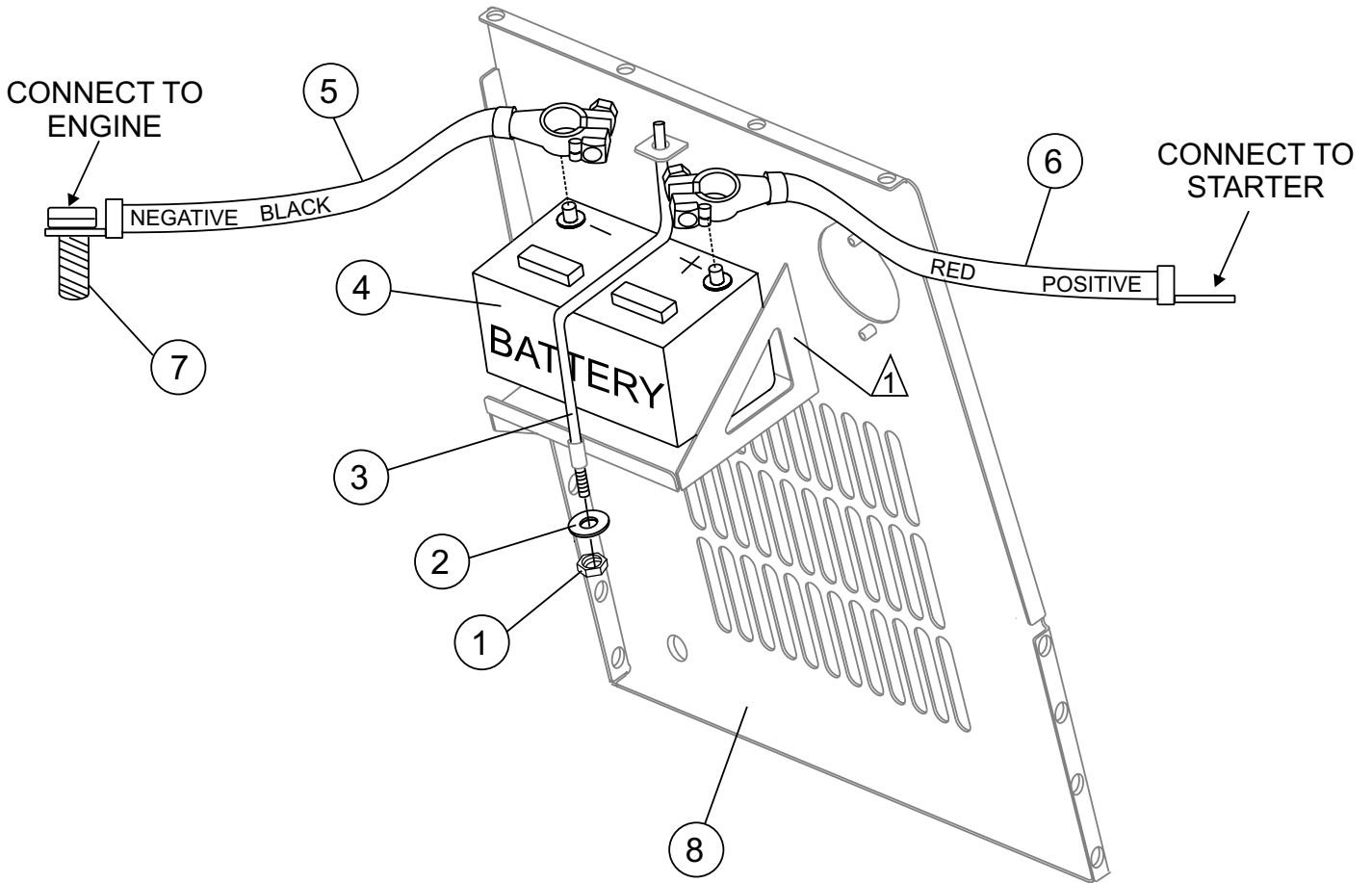
KD1800/KD6 — AIR CLEANER AND MUFFLER ASSY.

AIR CLEANER AND MUFFLER ASSY.

<u>NO.</u>	<u>PART NO.</u>	<u>PART NAME</u>	<u>QTY.</u>	<u>REMARKS</u>
1	1661611621	PIPE INLET	1	
2	1540111721	CLAMP, PIPE	1	
3	1661611013	AIR CLEANER	1	
4	1500036931	BAND, AIR CLEANER	1	
5	0112350835	BOLT	1	
6	0175450610	FLANGE BOLT	3	
7	7663058110	COVER, MUFFLER	1	
8	6795058510	MUFFLER ASSY	1	
9	1661611571	STAY, AIR CLEANER`	1	
10	0112350820	BOLT	1	
11	0112350816	BOLT	1	
12	0112350814	BOLT	2	
13	1627191010	NUT	6	
14	1626191510	STUD (SHORT)	3	
15	1626191520	STUD (LONG)	3	
16	29275	CLAMP, MUFFLER 1-3/8"	1	
17	29290	EXHAUST PIPE	1	
18	29397	EXHAUST, RAIN CAP 1-3/8 O.D.	1	
19	1522111722	CLAMP, PIPE	1	
20	29334	OIL PRESSURE SENSOR	1	
21	29333	WATER TEMP. SENSOR	1	

KD1800/KD6 — BATTERY ASSY.

BATTERY ASSY.



NOTES:

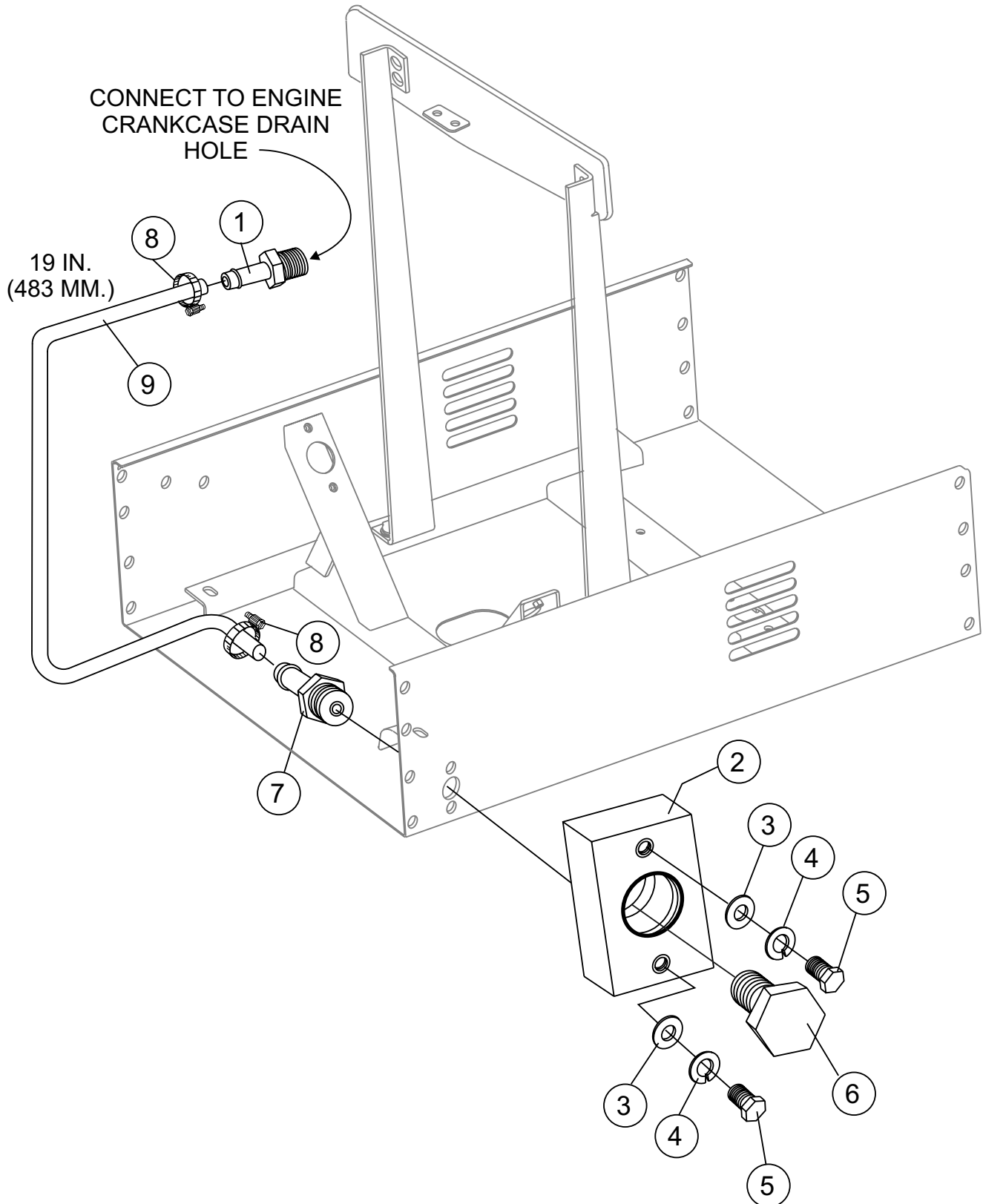
- ⚠ BATTERY TRAY IS WELDED TO PANEL AND CANNOT BE PURCHASED SEPARATELY.

BATTERY ASSY.

<u>NO.</u>	<u>PART NO.</u>	<u>PART NAME</u>	<u>QTY.</u>	<u>REMARKS</u>
1	10024	NUT, NYLOC 1/4-20	1	
2	0948	WASHER, FLAT 1/4 SAE	1	
3	29311	HOLD-DOWN, BATTERY	1	
4	10315	BATTERY (WET) 12V GR22	1	
5	10313	CABLE, NEG BATTERY BLK 20"	1	
6	19303	CABLE, POS BATTERY RED 48" (POST)	1	
7	0205	SCREW, HHC 3/8-16 x 1	1	
8	29299	PANEL CABINET REAR W/A	1	

KD1800/KD6 — DRAIN PLUG ASSY.

DRAIN PLUG ASSY.

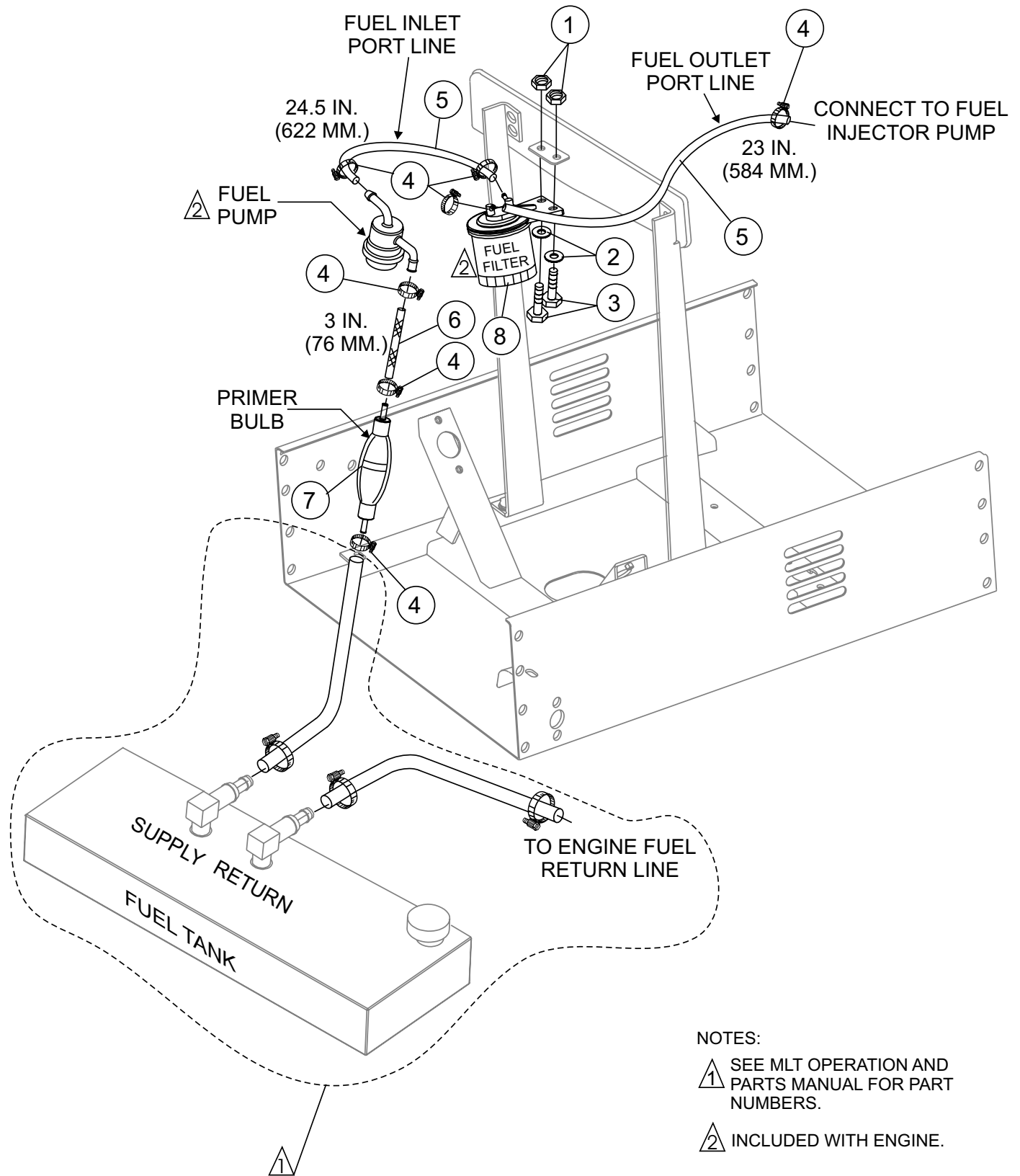


KD1800/KD6 — DRAIN PLUG ASSY.

DRAIN PLUG ASSY.

<u>NO.</u>	<u>PART NO.</u>	<u>PART NAME</u>	<u>QTY.</u>	<u>REMARKS</u>
1	29304	FITTING 12 x 1.25 MM TO 3/8" HOSE BEAD	1	
2	29274	BLOCK, REMOTE FLUID DRAIN	1	
3	0948	WASHER, FLAT 1/4" SAE	8	
4	0181B	WASHER, LOCK	2	
5	4514	SCREW, HHC 1/4"-20 x 5/8	2	
6	29272	FITTING, 8 MO PLUG	1	
7	29303	FITTING, 3/8-18 NPT TO 3/8" HOSE BEAD	1	
8	19473	CLAMP, WORM HOSE (1/4"-5/8")	2	
9	60028	HOSE .312 I.D. 19"	1	

FUEL ASSY.

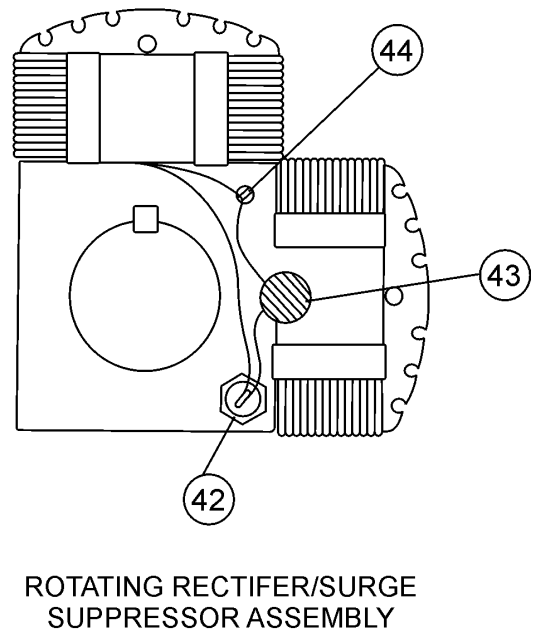
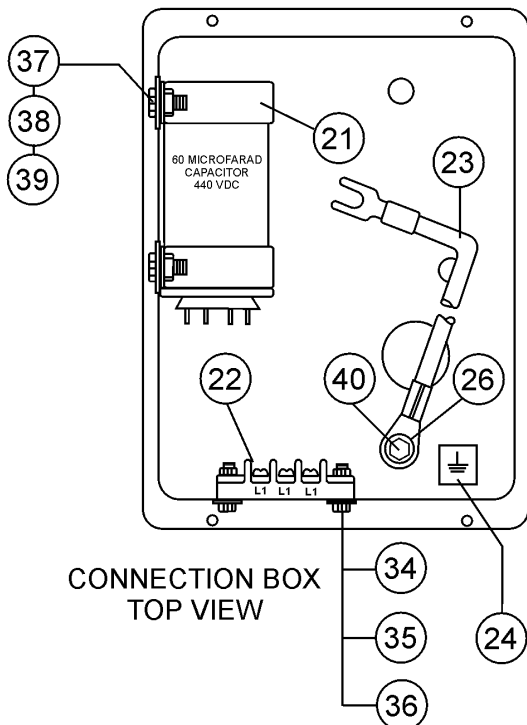
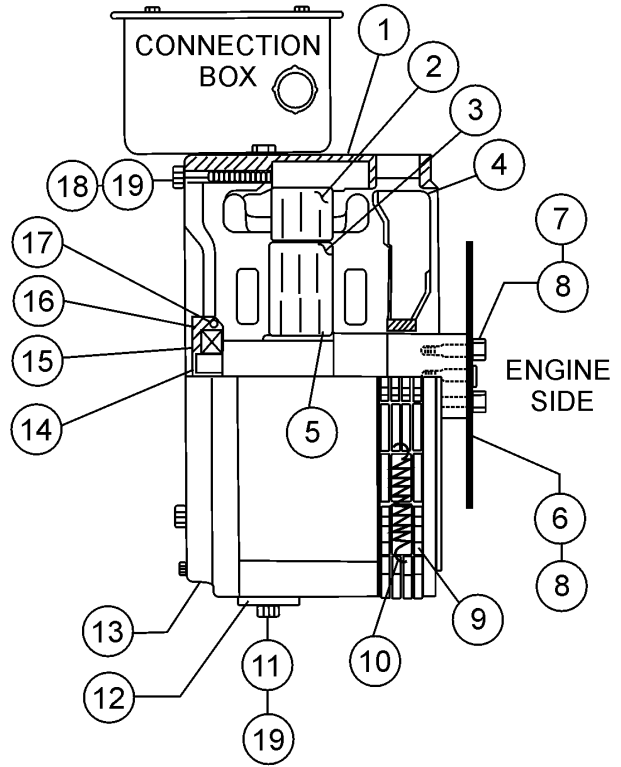
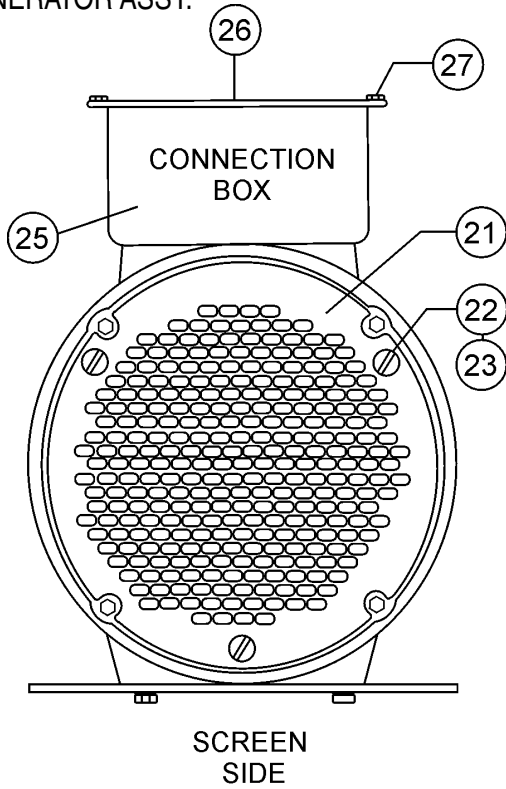


FUEL ASSY.

<u>NO.</u>	<u>PART NO.</u>	<u>PART NAME</u>	<u>QTY.</u>	<u>REMARKS</u>
1	5283	NUT, NYLOC 5/16"-18	2	
2	0300B	WASHER, FLAT 5/16"	2	
3	0202	SCREW, HHC 5/16" x 18 x 1	2	
4	19473	CLAMP, WORM HOSE (1/4-5/8)	6	
5	60013	HOSE, .25 I.D. RUBBER FUEL LINE	4 FT	
6	60028	HOSE, .312 I.D. RUBBER FUEL LINE 3"	1	
7	29338	PRIMER BULB, 5/16" BARB ENDS	1	
8	1522443013	FUEL FILTER	1	

KD1800/KD6 — GENERATOR ASSY.

GENERATOR ASSY.



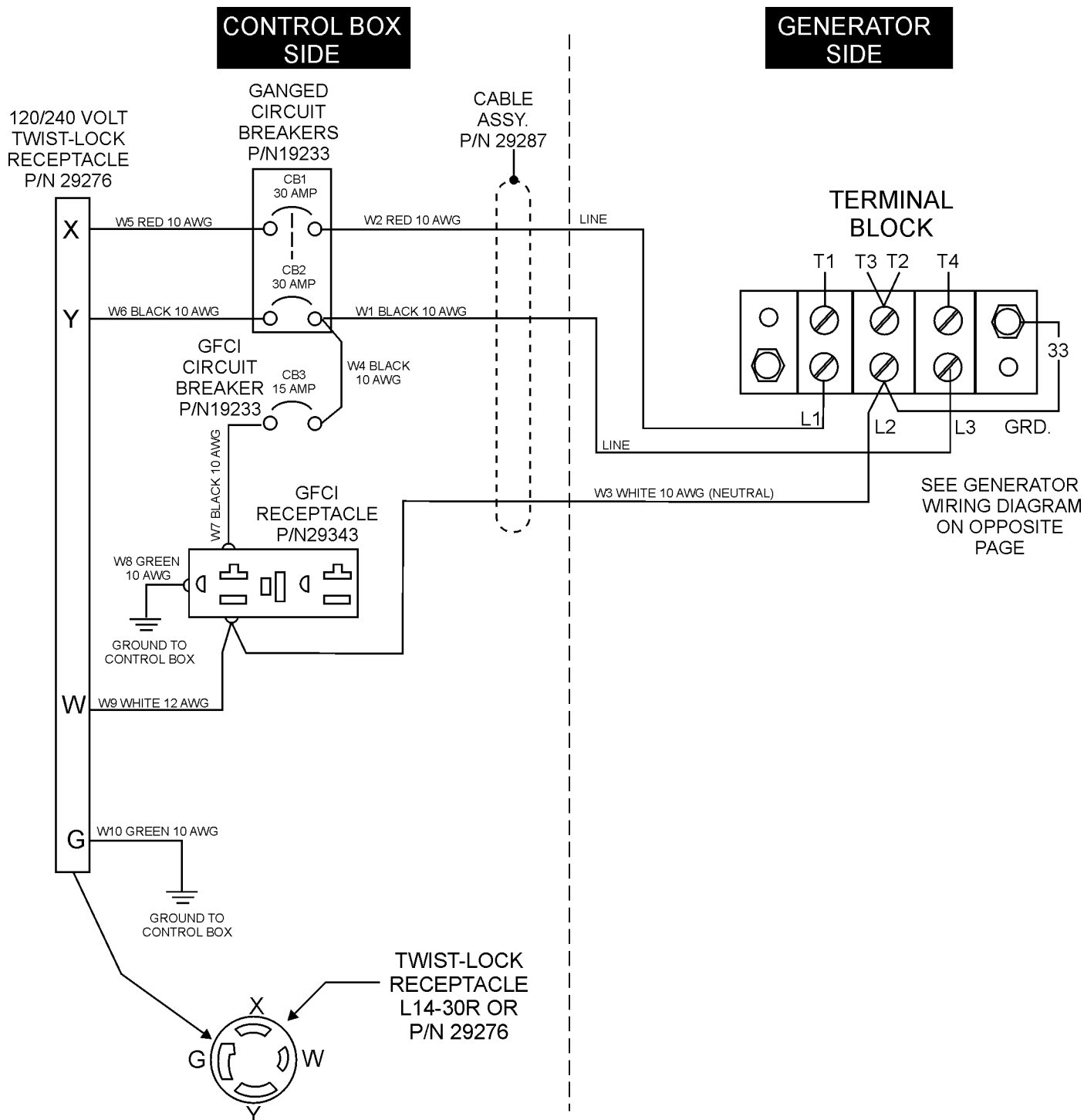
KD1800/KD6 — GENERATOR ASSY.

GENERATOR ASSY.

<u>NO.</u>	<u>PART NO.</u>	<u>PART NAME</u>	<u>QTY.</u>	<u>REMARKS</u>
1#	70611501	FRAME	1	
2#	7820010A	MAIN STATOR	1	
3#	7865000A	MAIN ROTOR	1	
4#	71600201	FAN	1	
5#	80986517	KEY, 0.380 X 0.380 X 2.380	1	
6#		DRIVE DISCS	2	SEE ADAPTION KIT FOR P/N
7#		HEX SOC. HD. CAP SCREW 3/8- 24	6	SEE ADAPTION KIT FOR P/N
8#	72533301	HARDENED SPACER DISC	1	
9#	72062501	SCREEN ASSEMBLY	1	
10#	9608925	EXTENSION SPRING	1	
11#	80100407	HEX HD. CAP SCREW, 3/8- 16 X 1.5 GR5 ZN	2	
12#	71802601	FOOT PLATE	1	OPTIONAL
13#	70300401	BEARING BRACKET	1	
14#	70164401	SHAFT	1	
15#	A90006R35	BEARING	1	
16#	83282456	RETAINING RING	1	
17#	86586901	O RING	1	
18#	80100212	SCREW, HEX HD. CAP 5/16- 18 X 2.75 GR5 ZN	4	
19#	80106506	WASHER, SPLIT LOCK 5/16	4	
20#	7238360A	TOP MOUNTED CONNECTION BOX ASSY.	1	INCLUDES ITEMS W/*
21*#	78980604	CAPACITOR, 440V, 60UF	1	
22*#	95053	TERMINAL BLOCK, 3 POLE	1	
23*#	7292670A	GROUNDING LEAD ASSEMBLY	1	
24*#	84686801	DECAL, GROUND SYMBOL	1	
25*#	76510402	CAPACITOR CLAMP	2	
26*#	80106617	WASHER, LOCK EXTERNAL TOOTH 3/8	1	
27#	72063501	POT COVER	1	
28#	80102804	SCREW, SLOTTED PAN HD. 1/4- 20 X 5/8 ZN	3	
29#	80106505	WASHER, SPLIT LOCK 1/4	3	
30V	74489101	NAMEPLATE	1	
31#	72386001	CONNECTION BOX BASE	1	
32#	A65856BX	CONNECTION BOX COVER	1	
33#	A7672437	SCREW, HEX WRS. HD. 10- 32 X .50	4	
34#	80111801	SCREW, PAN HD. #10- 32 X .75	2	
35#	80105903	NUT, HEX #10- 32	2	
36#	80106607	WASHER, INTERNAL LOCK TOOTH #10	2	
37#	80100003	SCREW, HEX HD. CAP 1/4- 20 X 3/4	2	
38#	80106005	NUT, HEX 1/4- 20	2	
39#	80106505	WASHER, SPLIT LOCK 1/4	2	
40#	80104201	SCREW, HEX SOC. HD CAP 3/8- 16 X 1/2	3	
41#	80106424	WASHER, FLAT 3/8	2	
42#	72582501	DIODE, STUD MOUNTED IN1190R	1	
43#	76167001	SURGE SUPPRESSOR, 80 K OHM.	1	
44#	80111811	SCREW, PAN HD. #10- 32 X 0.38	1	
45	29399	GENERATOR MARATHON MODEL 332	1	INCLUDES ITEMS W/#

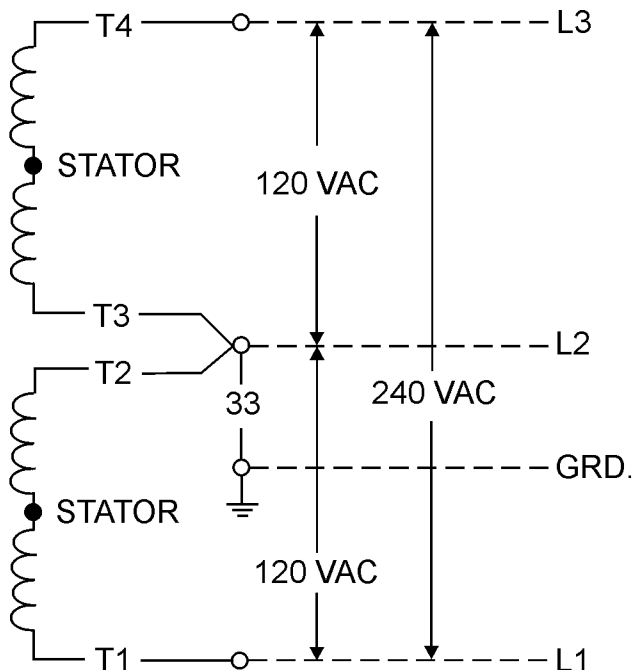
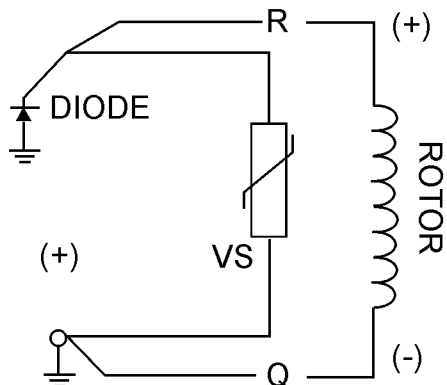
KD1800/KD6 — CONTROL BOX WIRING DIAGRAM

Control Box Wiring Diagram

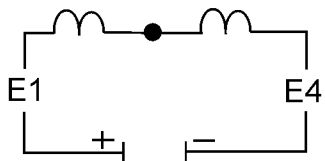


KD1800/KD6 — GENERATOR WIRING DIAGRAM

Generator Wiring Diagram

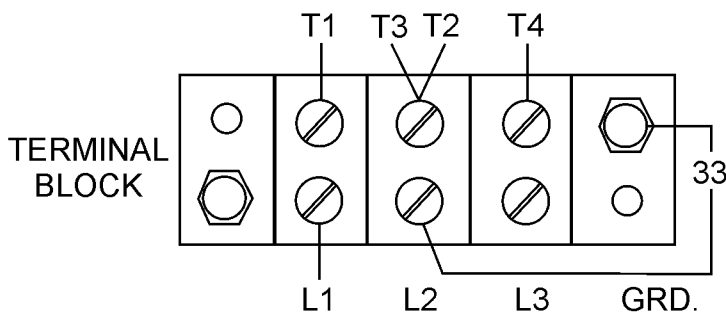


CAPACITOR EXCITATION COILS



120/240 VOLT CONNECTION

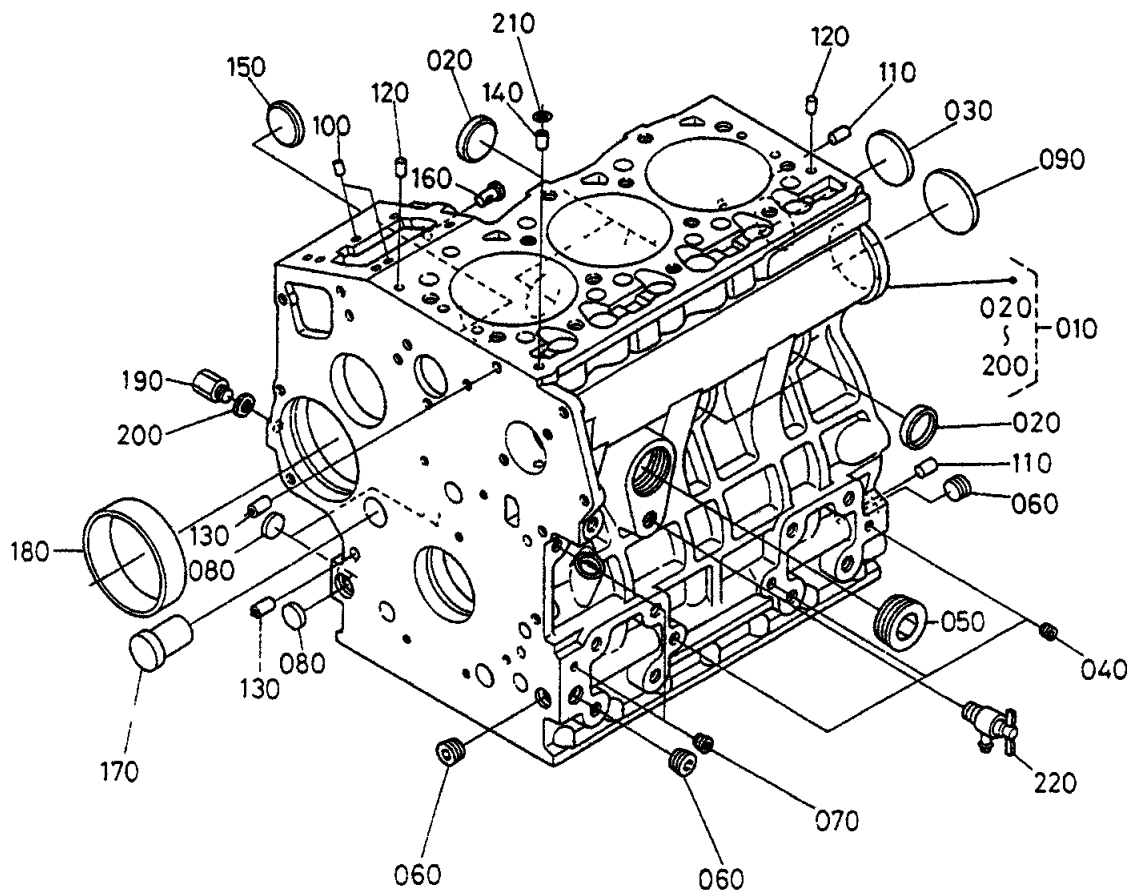
CAPACITOR C1
60 MICROFARAD
480 VDC



SINGLE PHASE
SINGLE CAPACITOR
120, 120/240 V 60 HZ.

KUBOTA D905-EBG2 — CRANKCASE ASSY.

CRANKCASE ASSY.



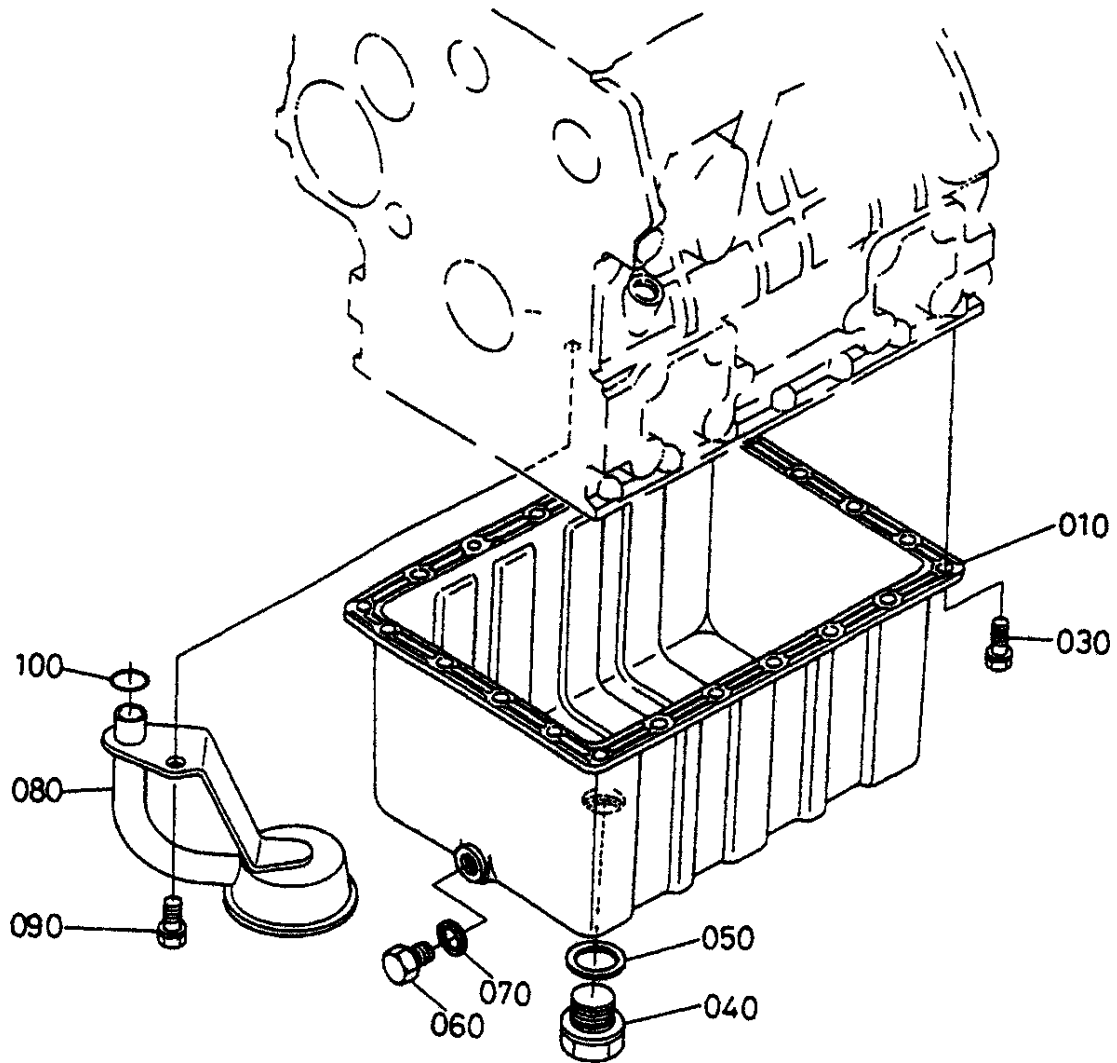
KUBOTA D905-EBG2 — CRANKCASE ASSY.

CRANKCASE ASSY.

<u>NO.</u>	<u>PART NO.</u>	<u>PART NAME</u>	<u>QTY.</u>	<u>REMARKS</u>
010	1622701010	COMPLETE CRANKCASE	1	
020	1545196270	CAP, SEALING	4	
030	1522103490	CAP, SEALING	1	
040	1526196010	PLUG	3	
050	1668396020	PLUG	1	
060	1624196010	PLUG	3	
070	1552196020	PLUG	2	
080	1739196160	PLUG, EXPANSION	3	
090	1627196160	PLUG, EXPANSION	1	
100	0501200508	PIN, STRAIGHT	2	
110	0501200814	PIN, STRAIGHT	2	
120	0501200610	PIN, STRAIGHT	2	
130	1523133960	PIN, PIP E	2	
140	1624133650	PIN, PIPE	1	
150	1624196262	PLUG, FUEL CAMSHAFT	1	
160	1626156280	PIN, START SPRING	1	
170	1628296010	PLUG	1	
180	1627155350	BUSH, GOVERNOR GEAR	1	
190	1522133610	PLUG	1	
200	1502133660	GASKET	1	
210	1522133700	O RING	1	
220	1584173020	ASSEMBLY COCK, DRAIN	1	

KUBOTA D905-EBG2 — OIL PAN ASSY.

OIL PAN ASSY.



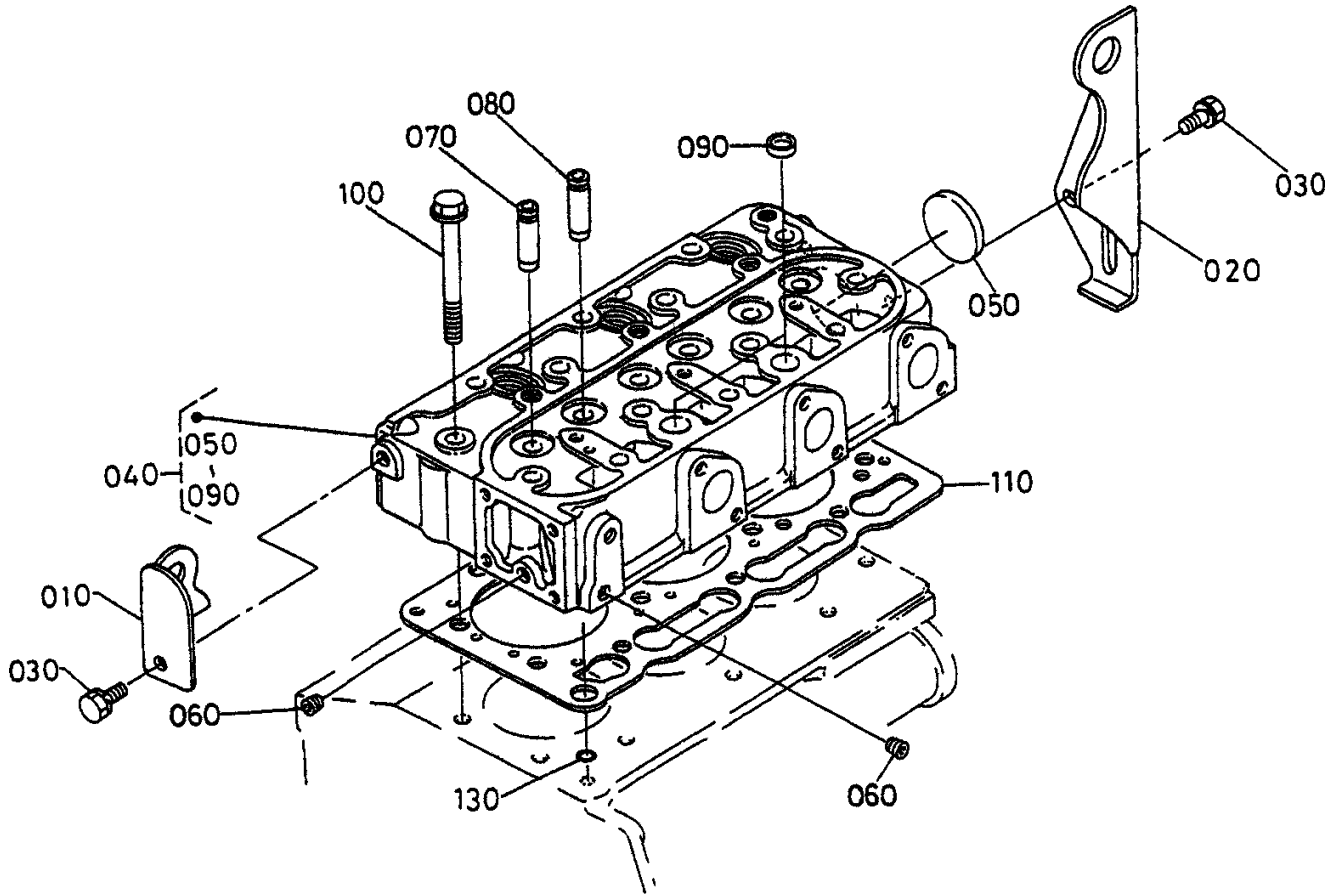
KUBOTA D905-EBG2 — OIL PAN ASSY.

OIL PAN ASSY.

<u>NO.</u>	<u>PART NO.</u>	<u>PART NAME</u>	<u>QTY.</u>	<u>REMARKS</u>
010	1661301500	COMPLETE OIL PAN	1	
030	0102350612	BOLT	22	
040	1654133750	PLUG, DRAIN	1	
050	1545196670	GASKET	1	
060	1522133750	PLUG	1	
070	6C09058960	GASKET	1	
080	1624132114	FILTER, OIL	1	
090	0112350816	BOLT	1	
100	0481400160	O RING	1	

KUBOTA D905-EBG2 — CYLINDER HEAD ASSY.

CYLINDER HEAD ASSY.



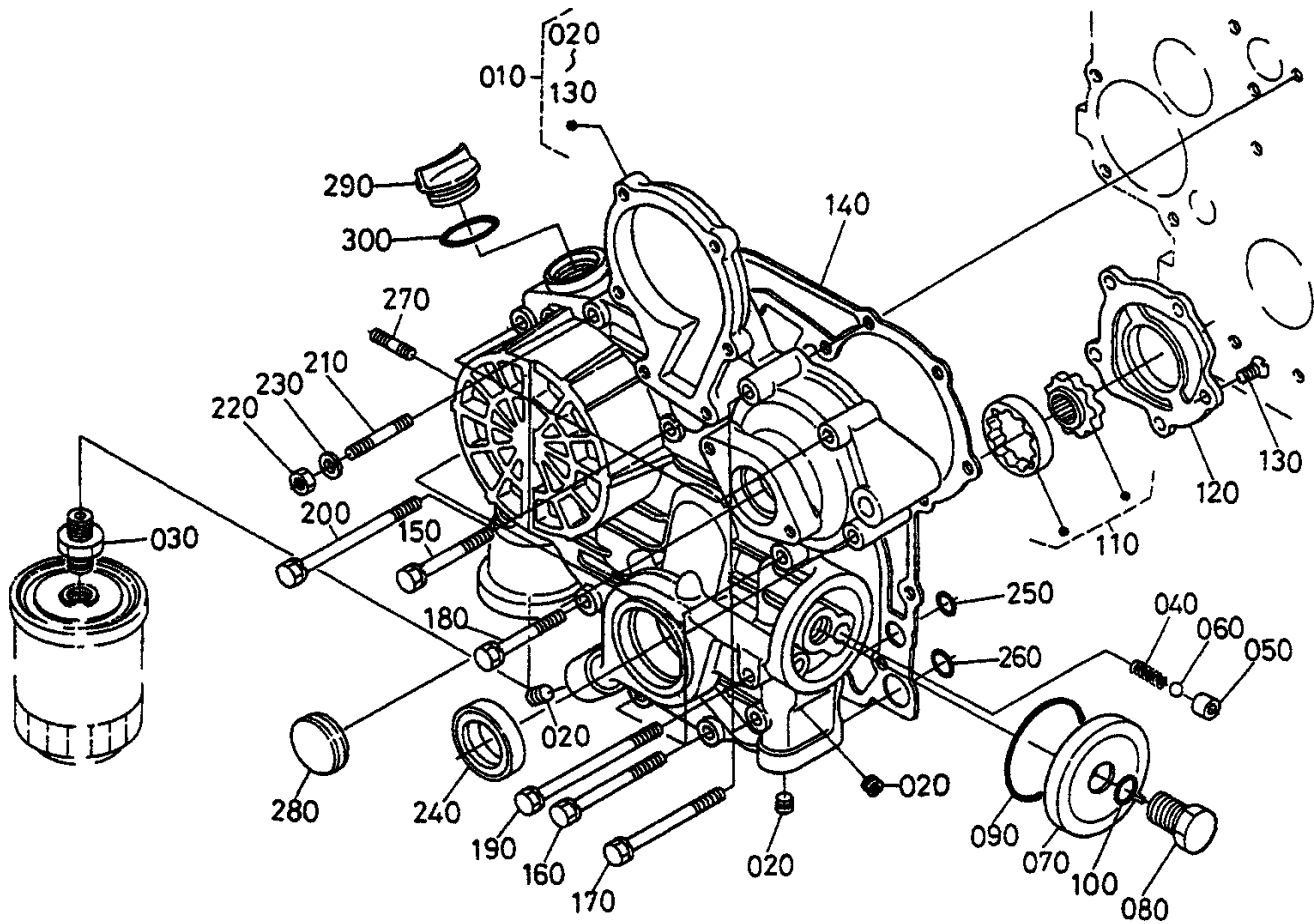
KUBOTA D905-EBG2 — CYLINDER HEAD ASSY.

CYLINDER HEAD ASSY.

<u>NO.</u>	<u>PART NO.</u>	<u>PART NAME</u>	<u>QTY.</u>	<u>REMARKS</u>
010	1624101750	HOOK, ENGINE	1	
020	1624101770	HOOK, ENGINE	1	
030	0112350814	BOLT	2	
040	1602203040	COMPLETE CYLINDER HEAD	1	
050	1532196260	CAP, SEALING	1	
060	1526196010	PLUG	2	
070	1624113540	GUIDE, INLET VALVE	3	
080	1624113560	GUIDE, EXHAUST VALVE	3	
090	1526103370	CAP, SEALING	2	
100	1624103450	BOLT, CYLINDER HEAD	14	
110	1622103310	GASKET, CYLINDER HEAD	1	
130	1522133700	O RING	1	

KUBOTA D905-EBG2 — GEAR CASE ASSY.

GEAR CASE ASSY.



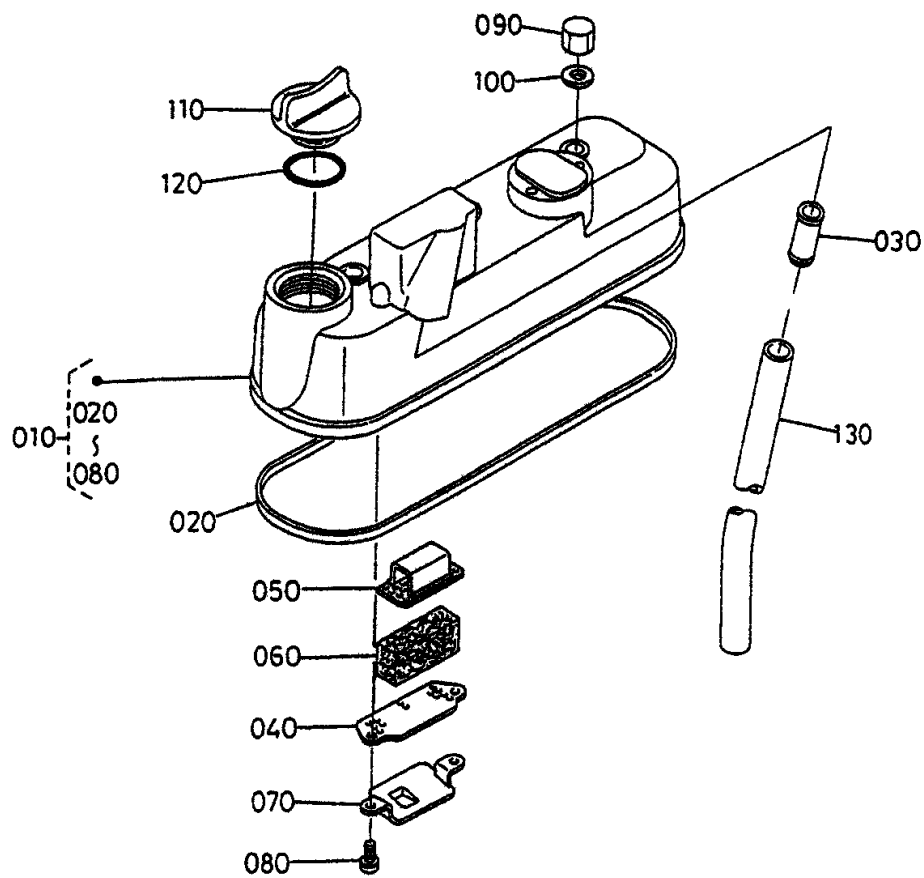
KUBOTA D905-EBG2 — GEAR CASE ASSY.

GEAR CASE ASSY.

<u>NO.</u>	<u>PART NO.</u>	<u>PART NAME</u>	<u>QTY.</u>	<u>REMARKS</u>
010	1625904020	COMPLETE CASE, GEAR	1	
020	1624196020	PLUG	5	
030	1524132290	JOINT, PIPE	1	
040	1624136950	SPRING	1	
050	1624136930	SEAT, VALVE	1	
060	0771500201	BALL	1	
070	1625932882	COVER	1	
080	1625932900	BOLT	1	
090	0481450600	O RING	1	
100	0481400150	O RING	1	
110	1624135070	ASSEMBLY ROTOR, OIL PUMP	1	
120	1625935132	COVER, OIL PUMP	1	
130	1624193120	SCREW, CSK- HD	5	
140	1626404130	GASKET, GEAR CASE	1	
150	0102350645	BOLT	3	
160	0102360650	BOLT	4	
170	0102350655	BOLT	2	
180	1584191040	BOLT	1	
190	1624191040	BOLT	2	
200	1625991040	BOLT	1	
210	1624591530	STUD	1	
220	0205650060	NUT	1	
230	0451250060	WASHER, SPRING	1	
240	1625904210	SEAL, OIL	1	
250	0481406100	ORING	2	
260	0481400150	O RING	2	
270	1624591540	STUD	2	
280	1626483342	COVER, GEAR CASE	1	
290	1585233140	PLUG, OIL FILLER	1	
300	0481450300	O RING	1	

KUBOTA D905-EBG2 — GEAR CASE ASSY.

HEAD COVER ASSY.



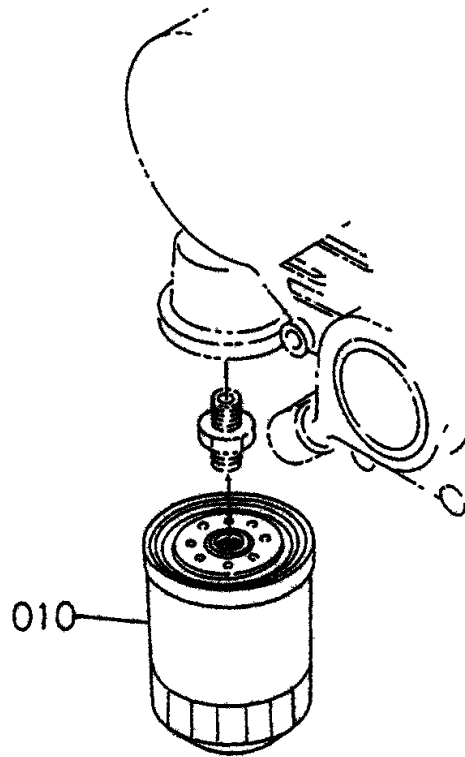
KUBOTA D905-EBG2 — GEAR CASE ASSY.

HEAD COVER ASSY.

<u>NO.</u>	<u>PART NO.</u>	<u>PART NAME</u>	<u>QTY.</u>	<u>REMARKS</u>
010	1626114503	ASSEMBLY COVER, CYLINDER HEAD	1	
020	1626114520	GASKET, HEAD COVER	1	
030	1624105550	JOINT, BREATHER PIPE	1	
040	1624105140	PLATE, B/THER ELEMENT	1	
050	1624105150	PLATE, B/THER ELEMENT	1	
060	1624105670	ELEMENT, BREATHER	1	
070	1624105370	OIL SHIELD, BREATHER	1	
080	0302450510	SCREW, WITH WASHER	2	
090	1595292330	NUT, CAP	3	
100	1595196660	GASKET	3	
110	1585233140	PLUG, OIL FILLER	1	
120	0481450300	O RING	1	
130	1624105510	PIPE, BREATHER	1	

KUBOTA D905-EBG2 — OIL FILTER ASSY.

OIL FILTER ASSY.



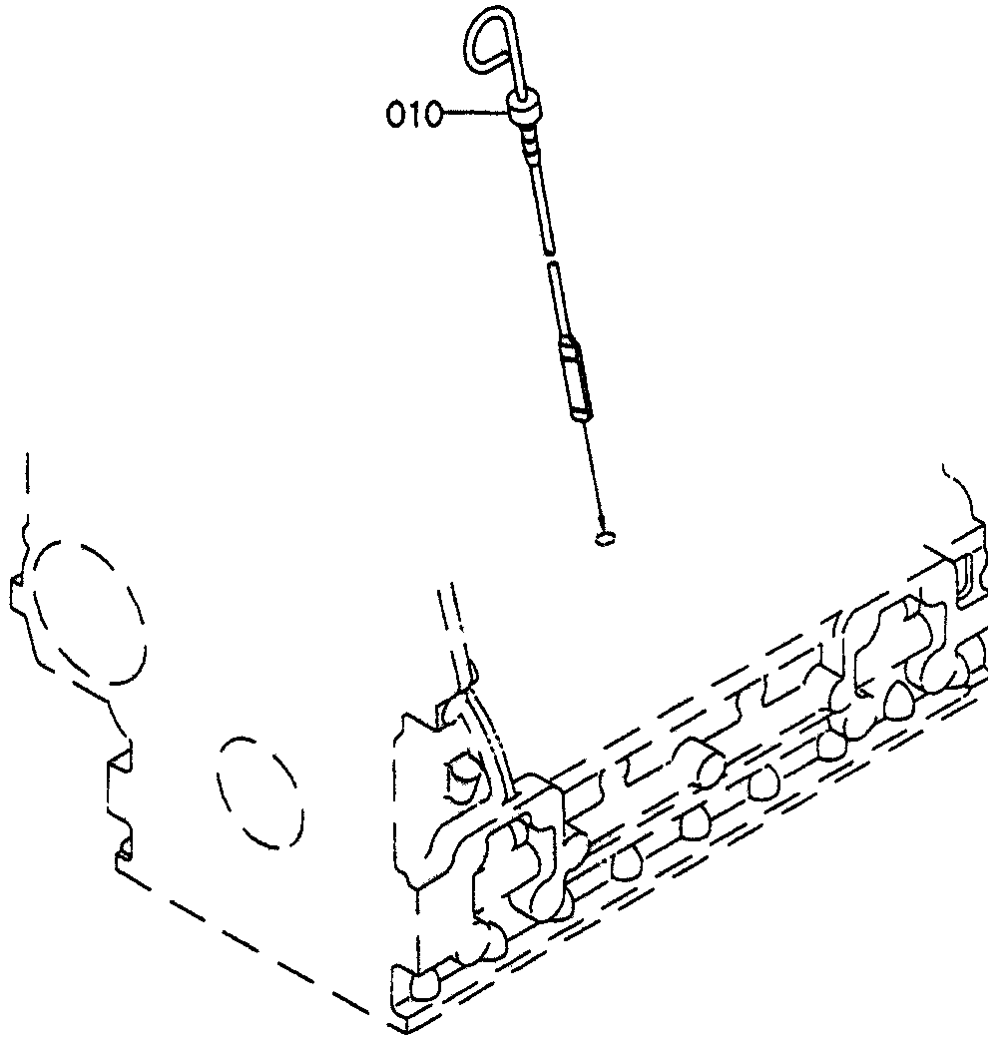
KUBOTA D905-EBG2 — OIL FILTER ASSY.

OIL FILTER ASSY.

<u>NO.</u>	<u>PART NO.</u>	<u>PART NAME</u>	<u>QTY.</u>	<u>REMARKS</u>
010	1627132092	ASSEMBLY CARTRIDGE, OIL	1	

KUBOTA D905-EBG2 — DIPSTICK AND GUIDE ASSY.

DIPSTICK AND GUIDE ASSY.

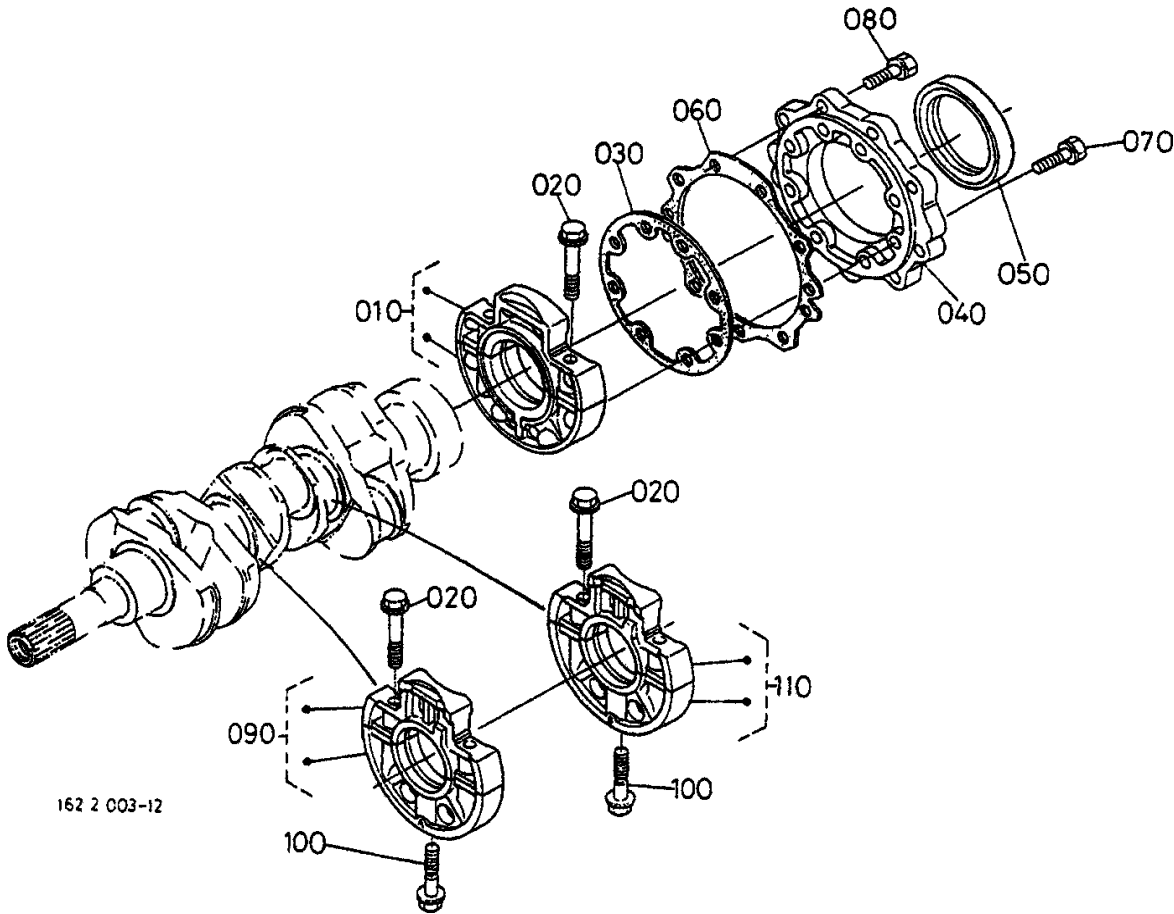


DIPSTICK AND GUIDE ASSY.

<u>NO.</u>	<u>PART NO.</u>	<u>PART NAME</u>	<u>QTY.</u>	<u>REMARKS</u>
010	1625936410	GAUGE, OIL	1	

KUBOTA D905-EBG2 — MAIN BEARING CASE ASSY.

MAIN BEARING CASE ASSY.



162 2 003-12

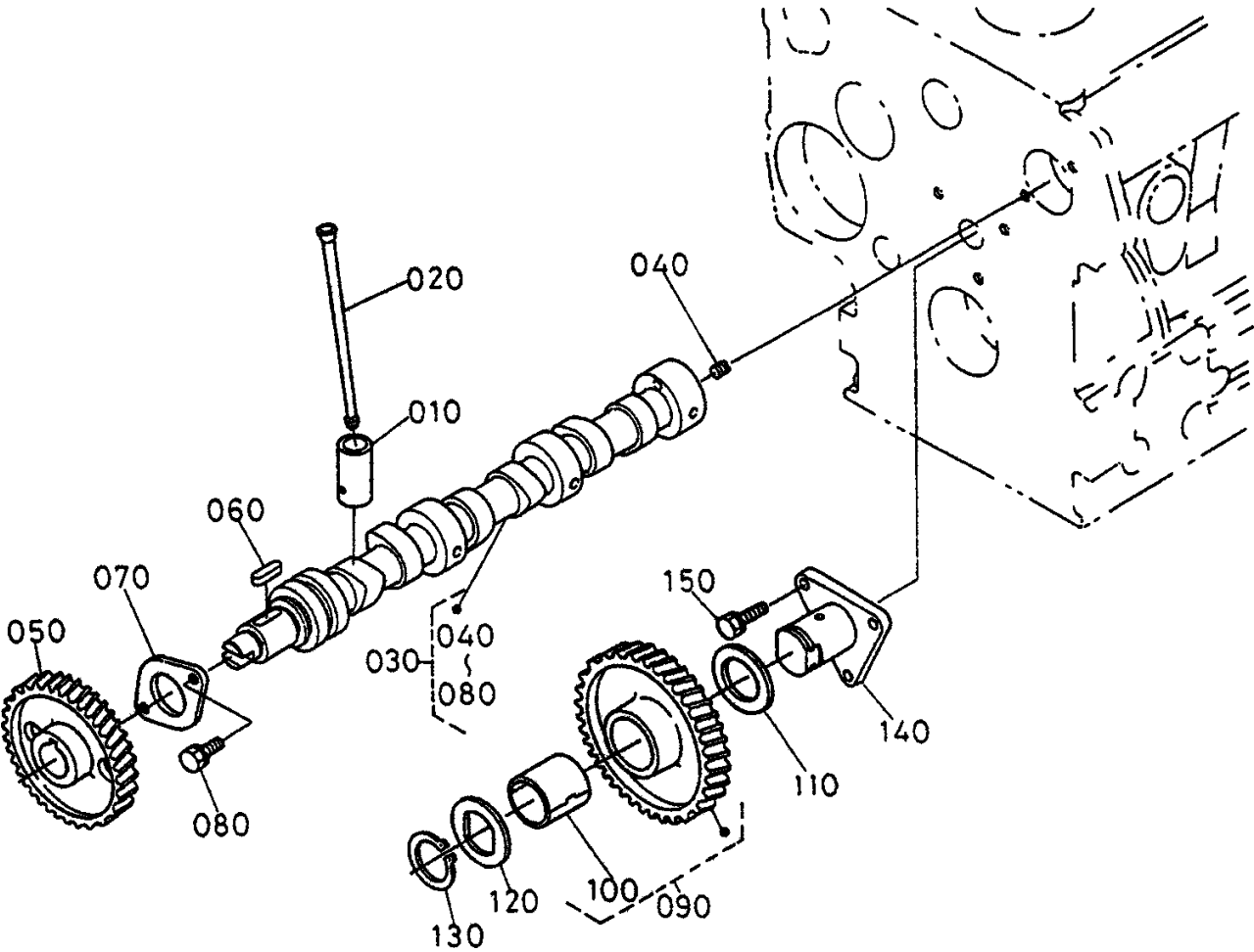
KUBOTA D905-EBG2 — MAIN BEARING CASE ASSY.

MAIN BEARING CASE ASSY.

<u>NO.</u>	<u>PART NO.</u>	<u>PART NAME</u>	<u>QTY.</u>	<u>REMARKS</u>
010	1624104092	ASSEMBLY CASE, MAIN BRG.	1	
020	1624104540	BOLT, BEARING CASE	6	
030	1626404360	GASKET, BRG. CASE	1	
040	1624104813	COVER, BEARLING CASE	1	
050	1624104460	SEAL, OIL	1	
060	1626404820	GASKET	1	
070	0102350625	BOLT	8	
080	0102350620	BOLT	9	
090	1627104040	ASSEMBLY CASE, MAIN BRG.	1	
100	1624104560	BOLT, BEARING CASE	2	
110	1627104050	ASSEMBLY CASE, MAIN BRG.	1	

KUBOTA D905-EBG2 — CAMSHAFT AND IDLER GEAR SHAFT ASSY.

CAMSHAFT AND IDLE GEAR SHAFT ASSY.



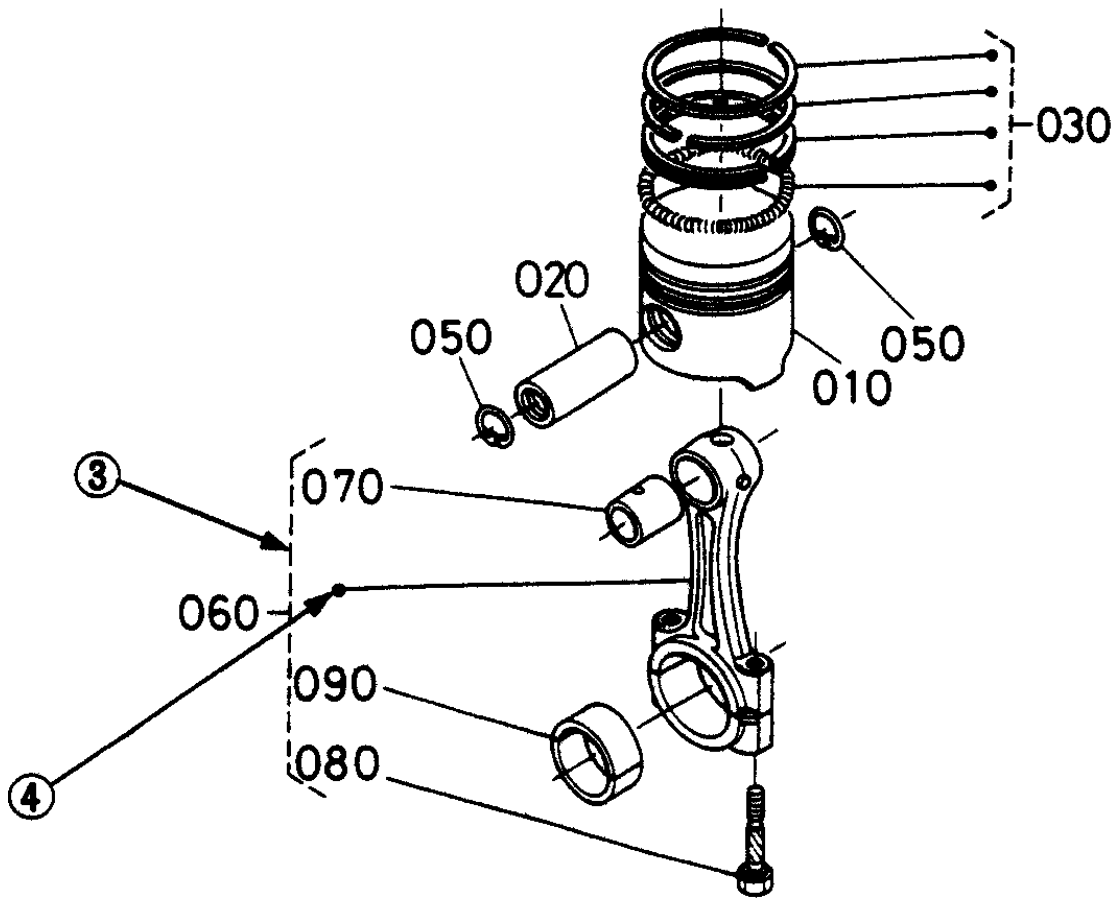
KUBOTA D905-EBG2 — CAMSHAFT AND IDLER GEAR SHAFT ASSY.

CAMSHAFT AND IDLE GEAR SHAFT ASSY.

<u>NO.</u>	<u>PART NO.</u>	<u>PART NAME</u>	<u>QTY.</u>	<u>REMARKS</u>
010	1626115550	TAPPET	6	
020	1624115110	PUSH ROD	6	
030	1626116010	ASSEMBLY CAMSHAFT	1	
040	1552193610	SCREW, SET	1	
050	1624116510	GEAR, CAM	1	
060	0571200518	KEY, FEATHER	1	
070	1624116270	STOPPER, CAMSHAFT	1	
080	0102350614	BOLT	2	
090	1627124010	COMPLETE GEAR, IDLE	1	
100	1627124980	BUSH, IDLE GEAR	1	
110	1624124360	COLLAR, IDLE GEAR	1	
120	1624124370	COLLAR, IDLE GEAR	1	
130	1624124320	CIR CLIP, IDLE GEAR	1	
140	1624124250	SHAFT, IDLE GEAR	1	
150	0102350616	BOLT	3	

KUBOTA D905-EBG2 — PISTON AND CRANKSHAFT ASSY.

PISTON AND CRANKSHAFT ASSY.



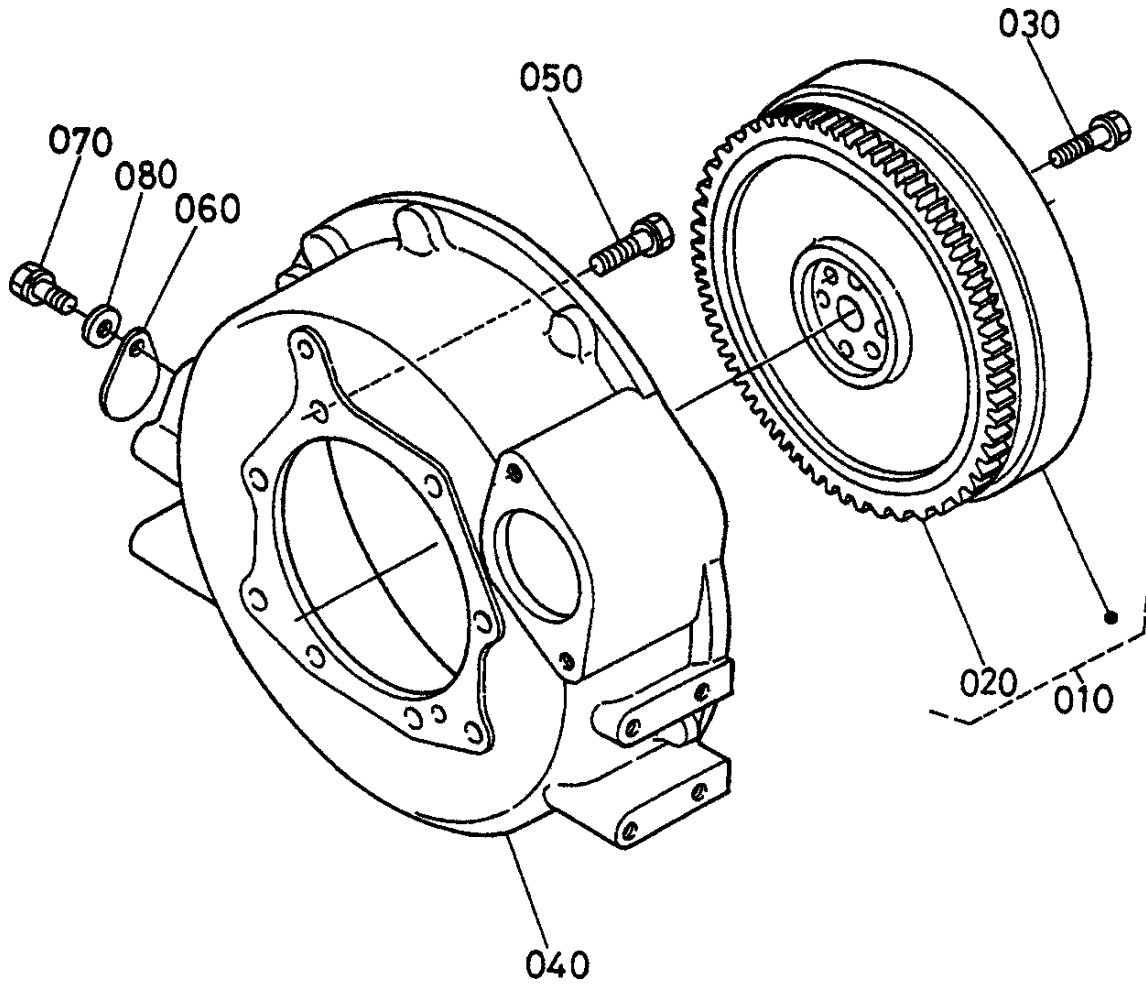
KUBOTA D905-EBG2 — PISTON AND CRANKSHAFT ASSY.

PISTON AND CRANKSHAFT ASSY.

<u>NO.</u>	<u>PART NO.</u>	<u>PART NAME</u>	<u>QTY.</u>	<u>REMARKS</u>
010	1622421110	PISTON	3	STD.
010	1622421910	PISTON	3	+0. 50MM
020	1590121050	ASSEMBLY PISTON RING	3	STD.
020	1590121090	ASSEMBLY PISTON RING	3	+0. 50MM
030	1624121310	PIN, PISTON	3	
040	1624121330	CIR CLIP, PISTON PIN	6	
050	1624122012	ASSEMBLY ROD, CONNECTING	3	
060	1624121980	BUSH, PISTON PIN	3	
070	1624122140	BOLT, CONNECTING ROD	6	
080	1624122310	METAL, CRANKPIN	3	STD. SET
080	1624122970	METAL, CRANKPIN	3	- 0. 20MM SET
080	1624122980	METAL, CRANKPIN	3	- 0. 40MM SET
090	1623523013	COMPLETE CRANKSHAFT	1	
100	0771500401	BALL	3	
110	1624124110	GEAR, CRANK	1	
120	1627195230	KEY	1	
130	1624135630	GEAR, OIL PUMP DRIVE	1	
140	1624123280	SLEEVE, CRANKSHAFT	1	
150	1624123250	COLLAR, CRANKSHAFT	1	
160	0481410280	O RING	1	
170	1624123470	METAL, CRANKSHAFT	1	STD.
170	1624123910	METAL, CRANKSHAFT	1	- 0. 20MM
170	1624123920	METAL, CRANKSHAFT	1	- 0. 40MM
180	1624123480	METAL, CRANKSHAFT	2	STD. SET
180	1624123930	METAL, CRANKSHAFT	2	- 0. 20MM SET
180	1624123940	METAL, CRANKSHAFT	2	- 0. 40MM SET
190	1629223490	METAL, CRANKSHAFT	1	STD. SET
190	1624123860	METAL, CRANKSHAFT	1	- 0. 20MM SET
190	1624123870	METAL, CRANKSHAFT	1	- 0. 40MM SET
200	1552123530	METAL, SIDE	2	STD.
200	1552123950	METAL, SIDE	2	+0. 20MM
200	1552123960	METAL, SIDE	2	+0. 40MM
210	1920223540	METAL, SIDE	2	STD.
210	1920223970	METAL, SIDE	2	+0. 20MM
210	1920223980	METAL, SIDE	2	+0. 40MM

KUBOTA D905-EBG2 — FLYWHEEL ASSY.

FLYWHEEL ASSY.



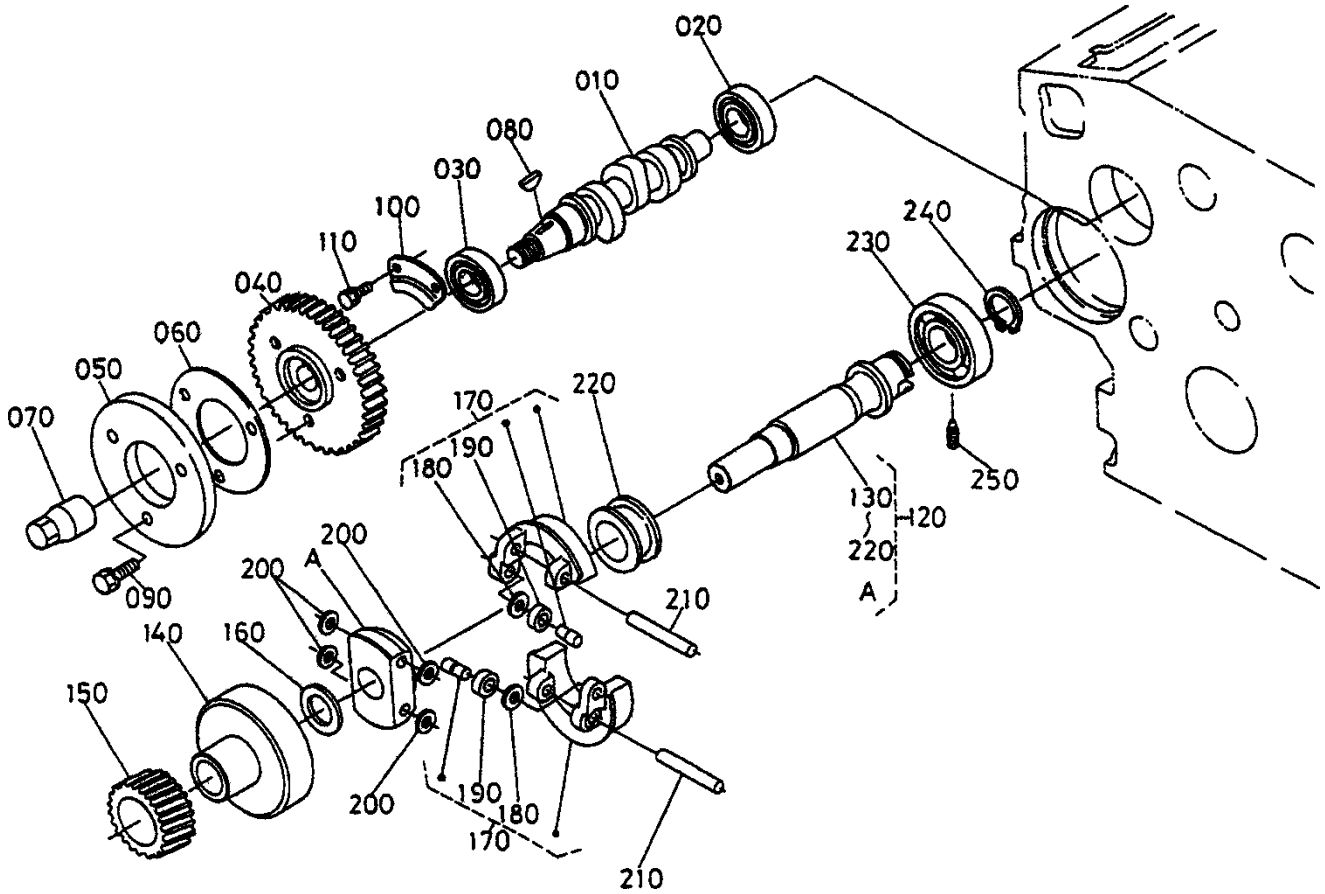
KUBOTA D905-EBG2 — FLYWHEEL ASSY.

FLYWHEEL ASSY.

<u>NO.</u>	<u>PART NO.</u>	<u>PART NAME</u>	<u>QTY.</u>	<u>REMARKS</u>
010	1668325014	COMPLETE FLYWHEEL	1	
020	1626163820	GEAR, RING	1	
030	1624125160	BOLT, FLYWHEEL	6	
040	1668304610	HOUSING, FLYWHEEL	1	
050	1526191190	BOLT	8	
060	3122014170	COVER	1	
070	0112350814	BOLT	1	
080	0401350080	WASHER, PLAIN	1	

KUBOTA D905-EBG2 — FUEL CAMSHAFT AND GOVERNOR SHAFT ASSY.

FUEL CAMSHAFT AND GOVERNOR SHAFT ASSY.



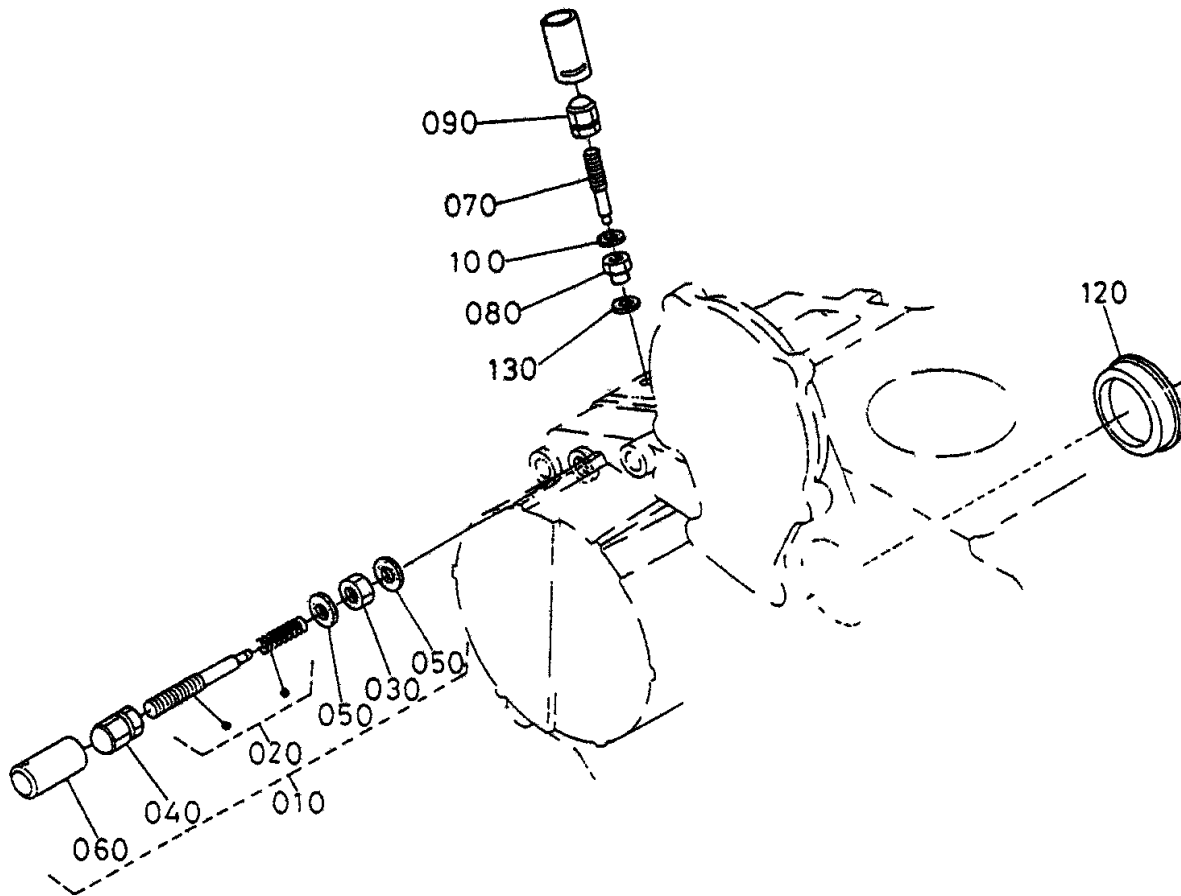
KUBOTA D905-EBG2 — FUEL CAMSHAFT AND GOVERNOR SHAFT ASSY.

FUEL CAMSHAFT AND GOVERNOR SHAFT ASSY.

<u>NO.</u>	<u>PART NO.</u>	<u>PART NAME</u>	<u>QTY.</u>	<u>REMARKS</u>
010	1602016170	CAMSHAFT, FUEL	1	
020	0810306202	BEARING, BALL	1	
030	0810306204	BEARING, BALL	1	
040	1627251150	GEAR, INJECTION PUMP	1	
050	1624151113	CAM, FUEL	1	
060	1624151190	WASHER	1	
070	1624192330	NUT, CAP	1	
080	1624195230	KEY, WOODRUFF	1	
090	0102350618	BOLT	3	
100	1624116320	STOPPER, FUEL. C/SHAFT	1	
110	0102350612	BOLT	2	
120	1668355010	ASSEMBLY SHAFT, GOVERNOR	1	
130	1668355310	SHAFT, GOVERNOR	1	
140	1669555390	HOLDER, GOVERNOR GEAR	1	
150	1668355320	GEAR, GOVERNOR	1	
160	1668355510	COLLAR, GOVERNOR WEIGHT	1	
170	1668355060	COMP.WEIGHT, GOVERNOR	2	
180	1981855340	WASHER	2	
190	1981855600	BEARING	2	
200	1668355260	WASHER, GOVERNOR WEIGHT	4	
210	1624155260	SHAFT, GOVERNOR WEIGHT	2	
220	1668355450	SLEEVE, GOVERNOR	1	
230	0810206304	BEARING, BALL	1	
240	1668355410	CIR- CLIP, GOVERNOR SHAFT	1	
250	1624155554	SCREW, SET	1	

KUBOTA D905-EBG2 — ENGINE STOP LEVER ASSY.

ENGINE STOP LEVER ASSY.



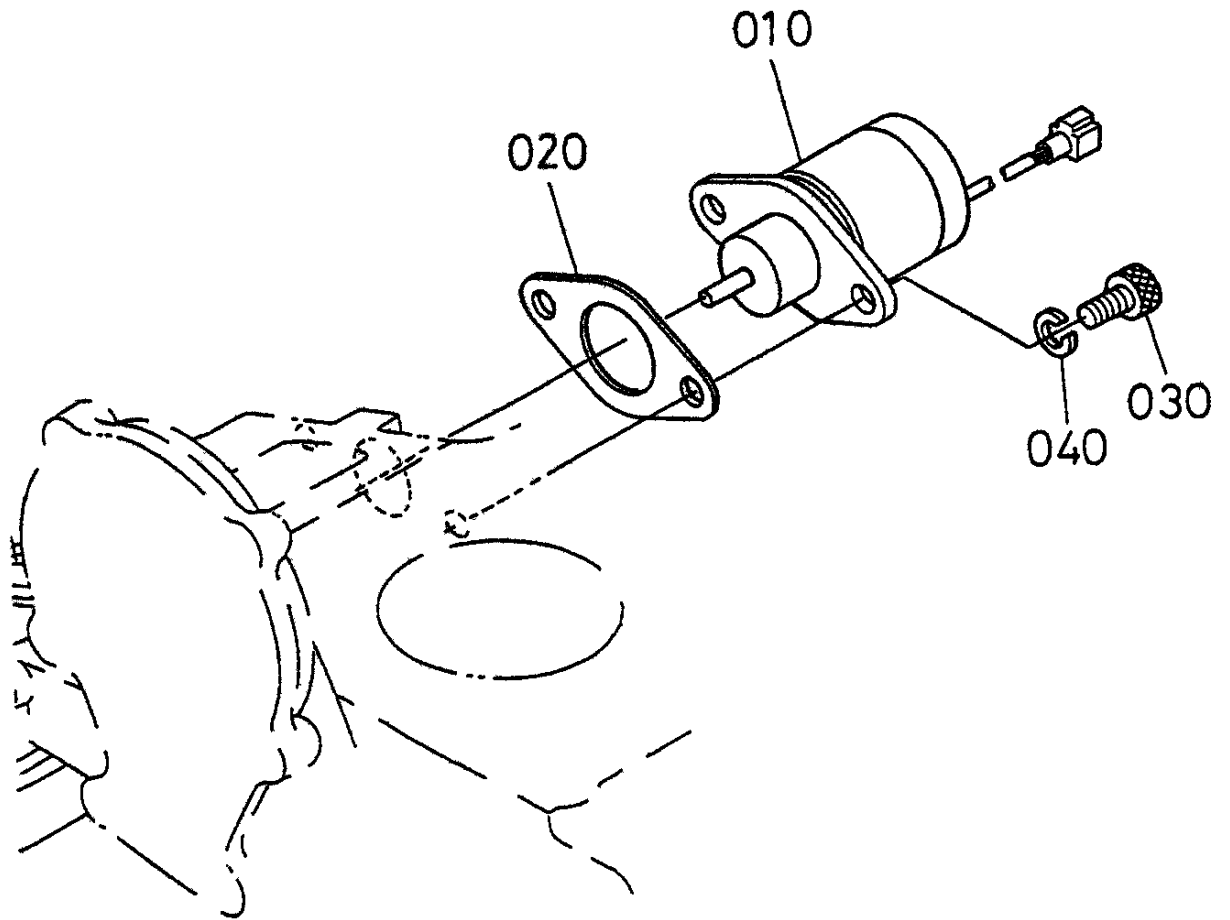
KUBOTA D905-EBG2 — ENGINE STOP LEVER ASSY.

ENGINE STOP LEVER ASSY.

<u>NO.</u>	<u>PART NO.</u>	<u>PART NAME</u>	<u>QTY.</u>	<u>REMARKS</u>
010	1625954090	ASSEMBLY APPARATUS, IDLE	1	
020	1625954102	ASSEMBLY BOLT, ADJUSTING	1	
030	1584192020	NUT	1	
040	1584192330	NUT, CAP	1	
050	1560196650	GASKET	2	
060	1622154420	CAP	1	
070	1624154120	BOLT, ADJUSTING	1	
080	1G03154210	NUT, LOCK	1	
090	1584192330	NUT, CAP	1	
100	1560196650	GASKET	1	
110		BLANK		
120	1626483152	COVER, HYDRAULIC PUMP	1	
130	1G03196650	GASKET	1	

KUBOTA D905-EBG2 — STOP SOLENOID ASSY.

STOP SOLENOID ASSY.



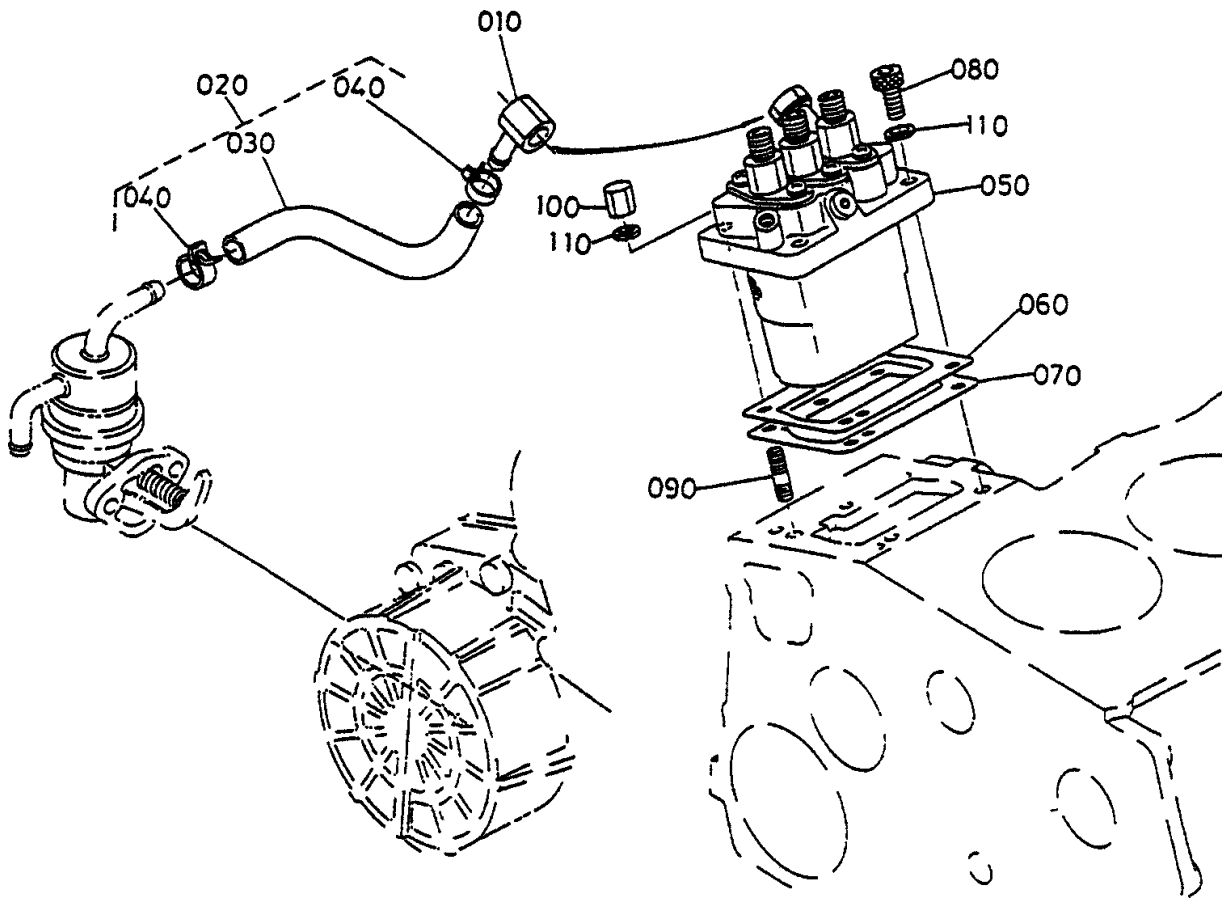
KUBOTA D905-EBG2 — STOP SOLENOID ASSY.

STOP SOLENOID ASSY.

<u>NO.</u>	<u>PART NO.</u>	<u>PART NAME</u>	<u>QTY.</u>	<u>REMARKS</u>
010	1745460010	SOLENOID, STOP	1	
020	1629960150	GASKET	1	
030	0131110614	BOLT, HEX- SOC- HD	2	
040	0451250060	WASHER, SPRING	2	

KUBOTA D905-EBG2 — INJECTION PUMP ASSY.

INJECTION PUMP ASSY.



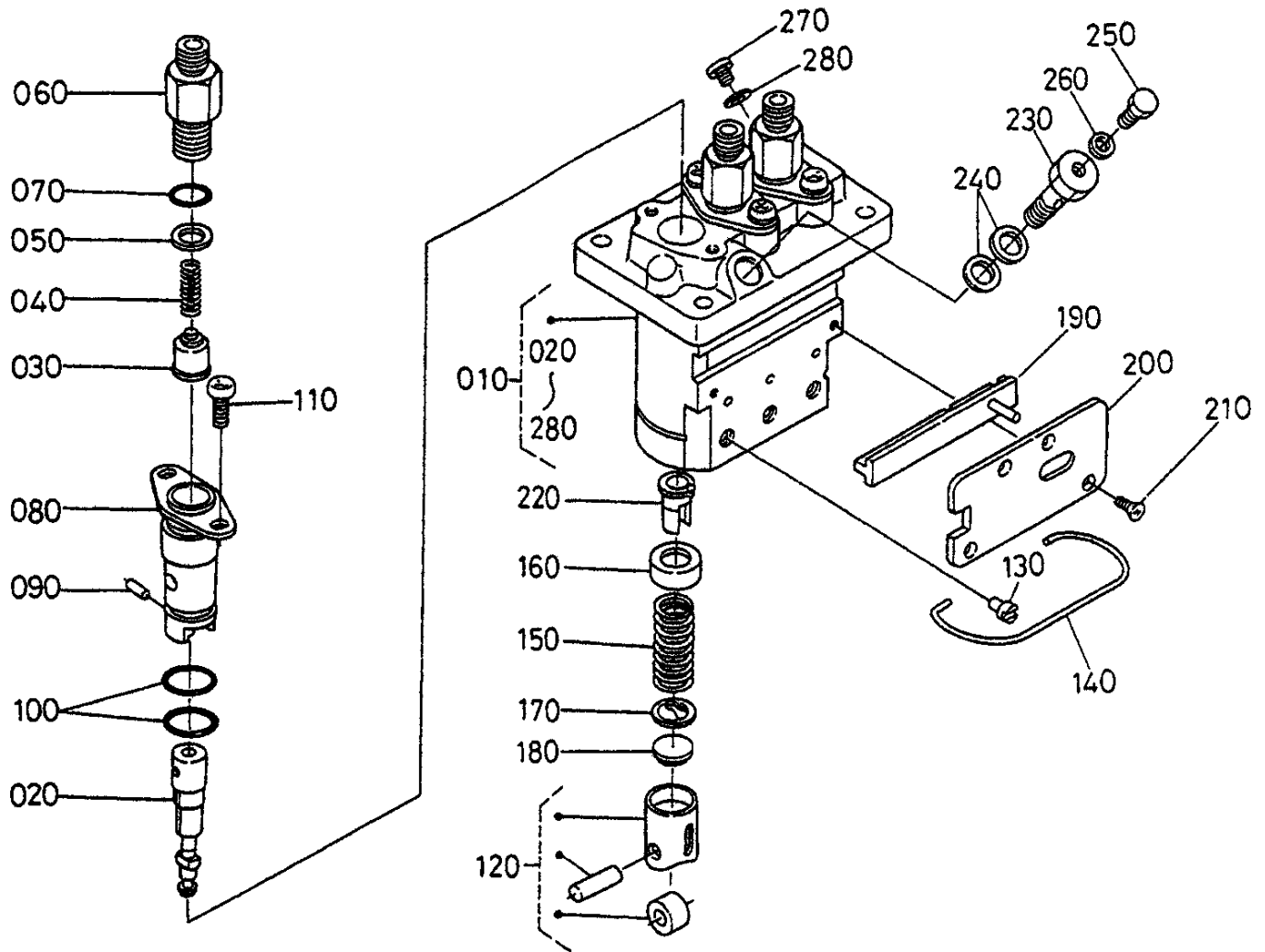
KUBOTA D905-EBG2 — INJECTION PUMP ASSY.

INJECTION PUMP ASSY.

<u>NO.</u>	<u>PART NO.</u>	<u>PART NAME</u>	<u>QTY.</u>	<u>REMARKS</u>
010	1624195690	JOINT, EYE	1	
020	1603242010	ASSEMBLY TUBE, FUEL	1	
030	0966180075	TUBE, FUEL	1	
040	1491142750	CLIP, PIPE	2	
050	1603051010	ASSEMBLY PUMP, INJECTION	1	
060	1600652092	SHIM, INJECTION PUMP	1	0. 20MM
060	1600652112	SHIM, INJECTION PUMP	1	0. 25MM
070	1600652122	SHIM, INJECTION PUMP	1	0. 30MM
080	0131110620	BOLT, HEX- SOC- HD	2	
090	1584191500	STUD	2	
100	1584192320	NUT, CAP	2	
110	0451250060	WASHER, SPRING	4	

KUBOTA D905-EBG2 — INJECTION PUMP (COMPONENT PARTS) ASSY.

INJECTION PUMP (COMPONENT PARTS) ASSY.



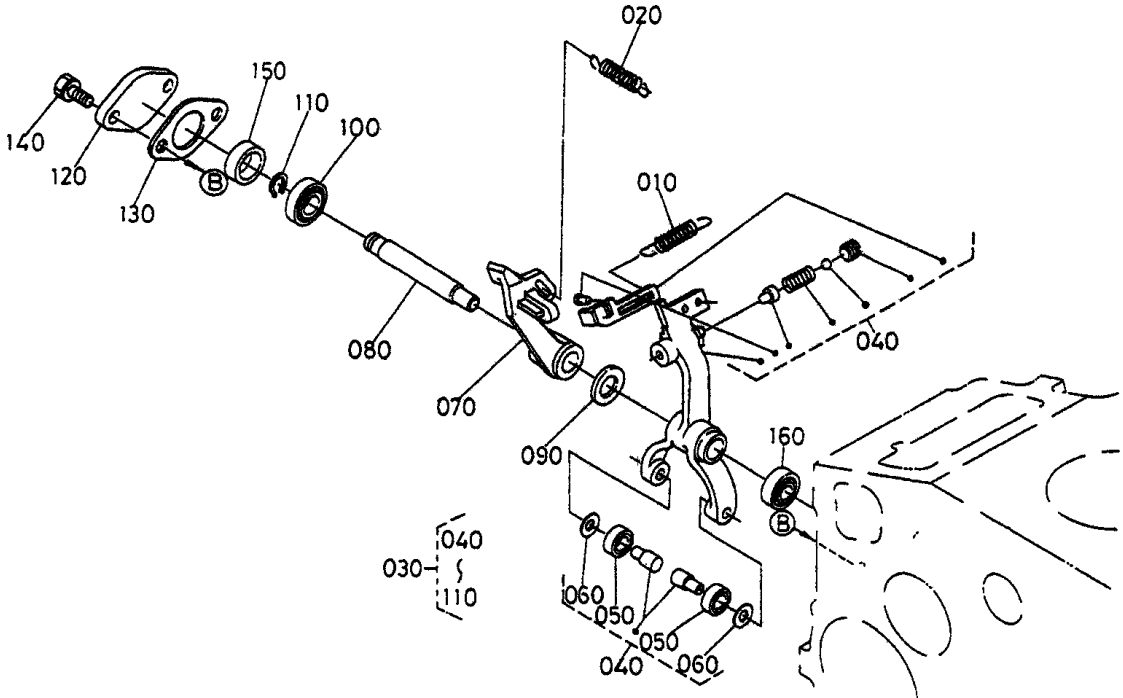
KUBOTA D905-EBG2 — INJECTION PUMP (COMPONENT PARTS) ASSY.

INJECTION PUMP(COMPONENT PARTS) ASSY.

<u>NO.</u>	<u>PART NO.</u>	<u>PART NAME</u>	<u>QTY.</u>	<u>REMARKS</u>
010	1603051010	ASSEMBLY PUMP, INJECTION	1	
020	1603051052	PLUNGER, PUMP	3	
030	1584151030	VALVE, DELIVERY	3	
040	1584151230	SPRING, DELIVERY VALVE	3	
050	1584151240	GASKET, DELIVERY VALVE	3	
060	1627151220	HOLDER, DELIVERY VALVE	3	
070	1584196760	O RING	3	
080	1584151560	FLANGE, SLEEVE	3	
090	1584194570	PIN, JOINT	3	
100	1584151200	O RING	6	
110	1586291430	SCREW	6	
120	1584151070	ASSEMBLY TAPPET	3	
130	1584151250	PIN, TAPPET GUIDE	3	
140	1586151430	PIN, CLAMP	1	
150	1584151280	SPRING, PLUNGER	3	
160	1584151270	SEAT, SPRING UPPER	3	
170	1584151290	SEAT, SPRING LOWER	3	
180	1584151490	SHIM	3	
190	1603051060	RACK, CONTROL	1	
200	1603051540	PLATE	1	
210	1584193110	SCREW, CSK- HD	4	
220	1584151380	SLEEVE, CONTROL	3	
230	1603051320	BOLT, JOINT	1	
240	1584196650	GASKET	2	
250	1584151350	SCREW	1	
260	1584196660	GASKET	1	
270	1603096010	PLUG	1	
280	1586196650	GASKET	1	

KUBOTA D905-EBG2 — GOVERNOR ASSY.

GOVERNOR ASSY.



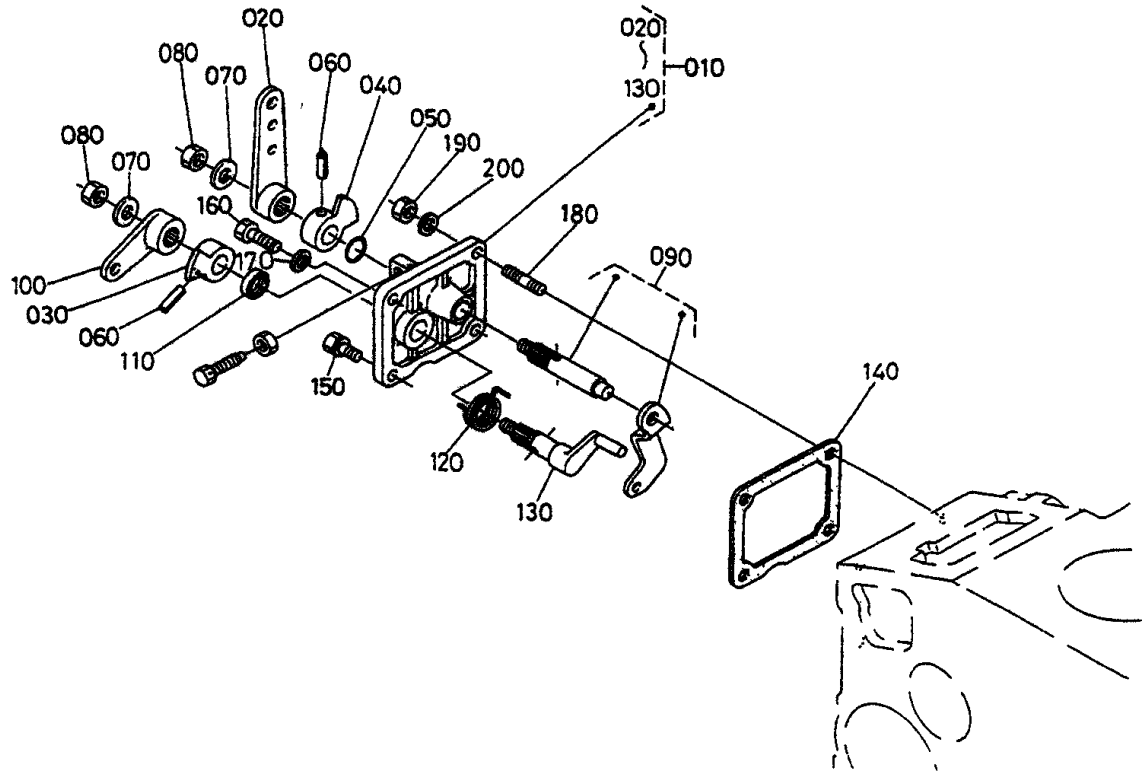
KUBOTA D905-EBG2 — GOVERNOR ASSY.

GOVERNOR ASSY.

<u>NO.</u>	<u>PART NO.</u>	<u>PART NAME</u>	<u>QTY.</u>	<u>REMARKS</u>
010	1626556480	SPRING, START	1	
020	1668456410	SPRING, GOVERNOR	1	
030	1668356052	ASSEMBLY LEVER, FORK	1	
040	1668356042	COMPLETE LEVER, FORK	1	
050	1981855600	BEARING	2	
060	1981855340	WASHER	2	
070	1668356130	LEVER, FORK	1	
080	1624156153	SHAFT, FORK LEVER	1	
090	1624194010	WASHER, PLAIN	1	
100	1624156330	BEARING, MINIATURIZE	1	
110	0461200090	CIR CLIP, EXTERNAL	1	
120	1624156250	COVER, FORK LEVER SHAFT	1	
130	1629956260	GASKET	1	
140	0102350614	BOLT	2	
150	1624156210	COLLAR	1	
160	1624156340	BEARING, MINIATURIZE	1	

KUBOTA D905-EBG2 — SPEED CONTROL PLATE ASSY.

SPEED CONTROL PLATE ASSY.



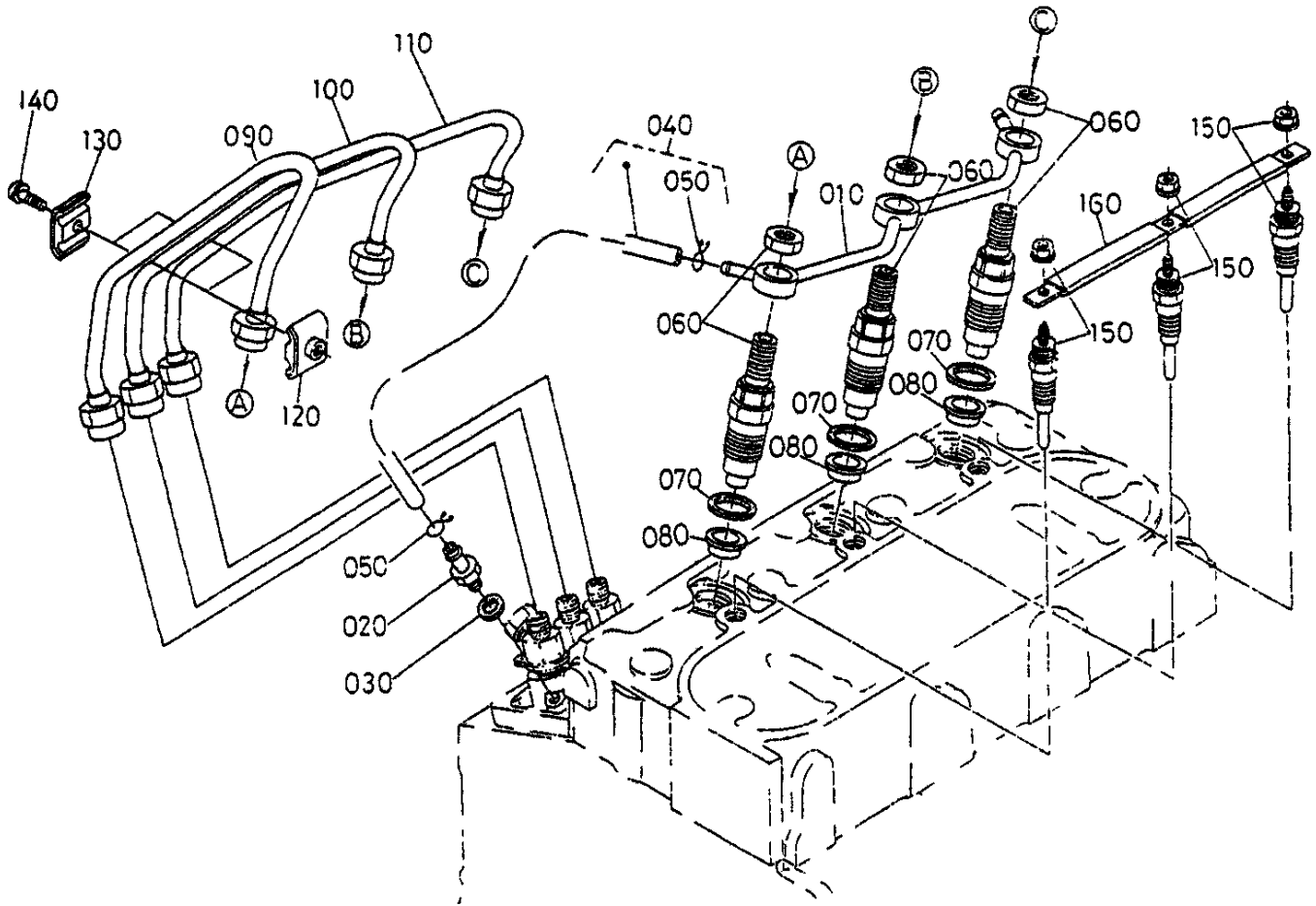
KUBOTA D905-EBG2 — SPEED CONTROL PLATE ASSY.

SPEED CONTROL PLATE ASSY.

<u>NO.</u>	<u>PART NO.</u>	<u>PART NAME</u>	<u>QTY.</u>	<u>REMARKS</u>
010	1668357014	ASSEMBLY PLATE, CONTROL	1	
020	1627157150	LEVER, SPEED CONTROL	1	
030	1624157160	LEVER, SPEED CONTROL	1	
040	1668357162	LEVER, SPEED CONTROL	1	
050	0481400100	O RING	1	
060	0541100420	PIN, SPRING	2	
070	1624194020	WASHER, PLAIN	2	
080	1624192020	NUT	2	
090	1668356020	COMPLETE LEVER, GOVERNOR	1	
100	1627157720	LEVER, ENGINE STOP	1	
110	1547157980	SEAL, OIL	1	
120	1622257510	SPRING, RETURN	1	
130	1627157740	SHAFT, STOP LEVER	1	
140	1626457210	GASKET	1	
150	0102350616	BOLT	1	
160	0105350618	BOLT	1	
170	1560196650	GASKET	1	
180	1624591540	STUD	2	
190	0205650060	NUT	2	
200	0451250060	WASHER, SPRING	2	

KUBOTA D905-EBG2 — NOZZLE HOLDER AND GLOW PLUG ASSY.

NOZZLE HOLDER AND GLOW PLUG ASSY.



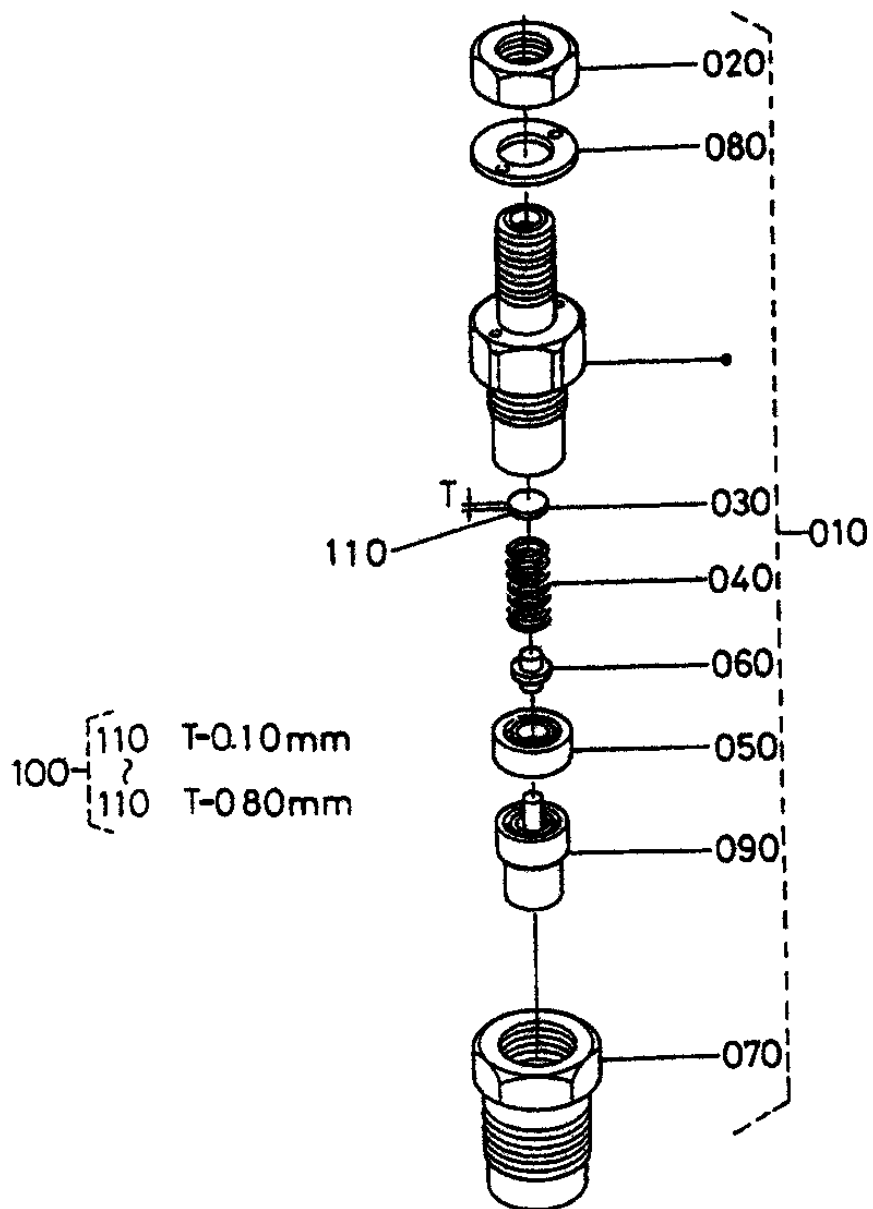
KUBOTA D905-EBG2 — NOZZLE HOLDER AND GLOW PLUG ASSY.

NOZZLE HOLDER AND GLOW PLUG ASSY.

<u>NO.</u>	<u>PART NO.</u>	<u>PART NAME</u>	<u>QTY.</u>	<u>REMARKS</u>
010	1626142502	ASSEMBLY PIPE, OVER FLOW	1	
020	1584151360	SCREW, AIR BREEDER	1	
030	1560196650	GASKET	1	
040	1584142500	ASSEMBLY PIPE, OVER FLOW	1	
050	1497142750	CLIP, PIPE	2	
060	1603253000	ASSEMBLY HOLDER, NOZZLE	3	
070	1584153622	GASKET	3	
080	1907753650	SEAL, HEAT	3	
090	1627153712	PIPE, INJECTION	1	
100	1627153722	PIPE, INJECTION	1	
110	1627153732	PIPE, INJECTION	1	
120	1584153850	CLAMP, PIPE	2	
130	1584153860	CLAMP, PIPE	2	
140	0302450520	SCREW, WITH WASHER	2	
150	1685165510	GLOW PLUG	3	
160	1626165560	CORD, GLOW PLUG	1	

KUBOTA D905-EBG2 — NOZZLE HOLDER (COMPONENTS) ASSY.

NOZZLE HOLDER (COMPONENT PARTS) ASSY.



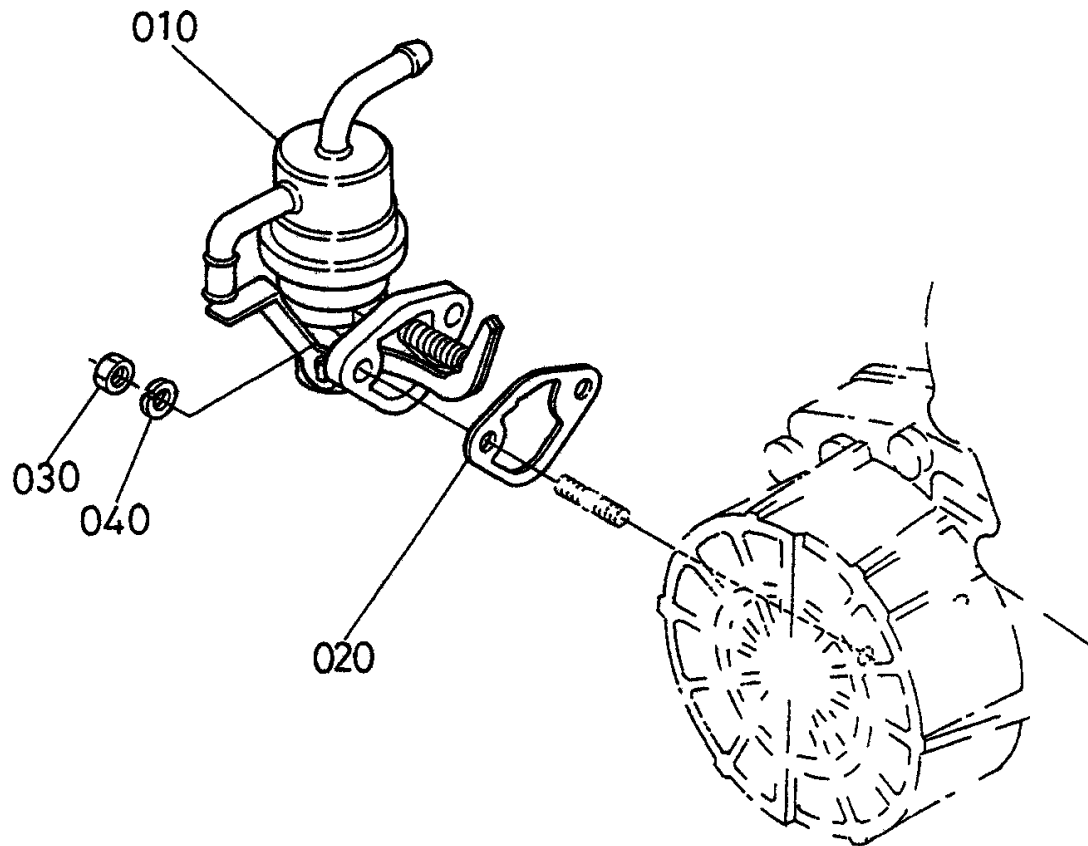
KUBOTA D905-EBG2 — NOZZLE HOLDER (COMPONENTS) ASSY.

NOZZLE HOLDER (COMPONENT PARTS) ASSY.

<u>NO.</u>	<u>PART NO.</u>	<u>PART NAME</u>	<u>QTY.</u>	<u>REMARKS</u>
010	1603253000	ASSEMBLY HOLDER, NOZZLE	3	
020	1603292030	NUT	3	
030	1603253230	WASHER, ADJUSTING	3	
040	1603253170	SPRING, NOZZLE	3	
050	1603253350	SPACER, DISTANCE	3	
060	1603253160	PUSH ROD	3	
070	1603253280	NUT, NOZZLE	3	
080	1603294040	WASHER, PLAIN	3	
090	1603253610	PIECE, NOZZLE	3	
100	1603298100	ASSEMBLY WASHER, ADJUST	3	OPTION
110	1603298500	WASHER, ADJUSTING	3	0. 10MM
110	1603298510	WASHER, ADJUSTING	3	0. 20MM
110	1603298520	WASHER, ADJUSTING	3	0. 30MM
110	1603298530	WASHER, ADJUSTING	3	0. 40MM
110	1603298540	WASHER, ADJUSTING	3	0. 50MM
110	1603298550	WASHER, ADJUSTING	3	0. 52MM
110	1603298560	WASHER, ADJUSTING	3	0. 54MM
110	16103298570	WASHER, ADJUSTING	3	0. 56MM
110	1603298580	WASHER, ADJUSTING	3	0. 58MM
110	1603298590	WASHER, ADJUSTING	3	0.80MM

KUBOTA D905-EBG2 — FUEL PUMP (MECHANICAL) ASSY.

FUEL PUMP (MECHANICAL) ASSY.



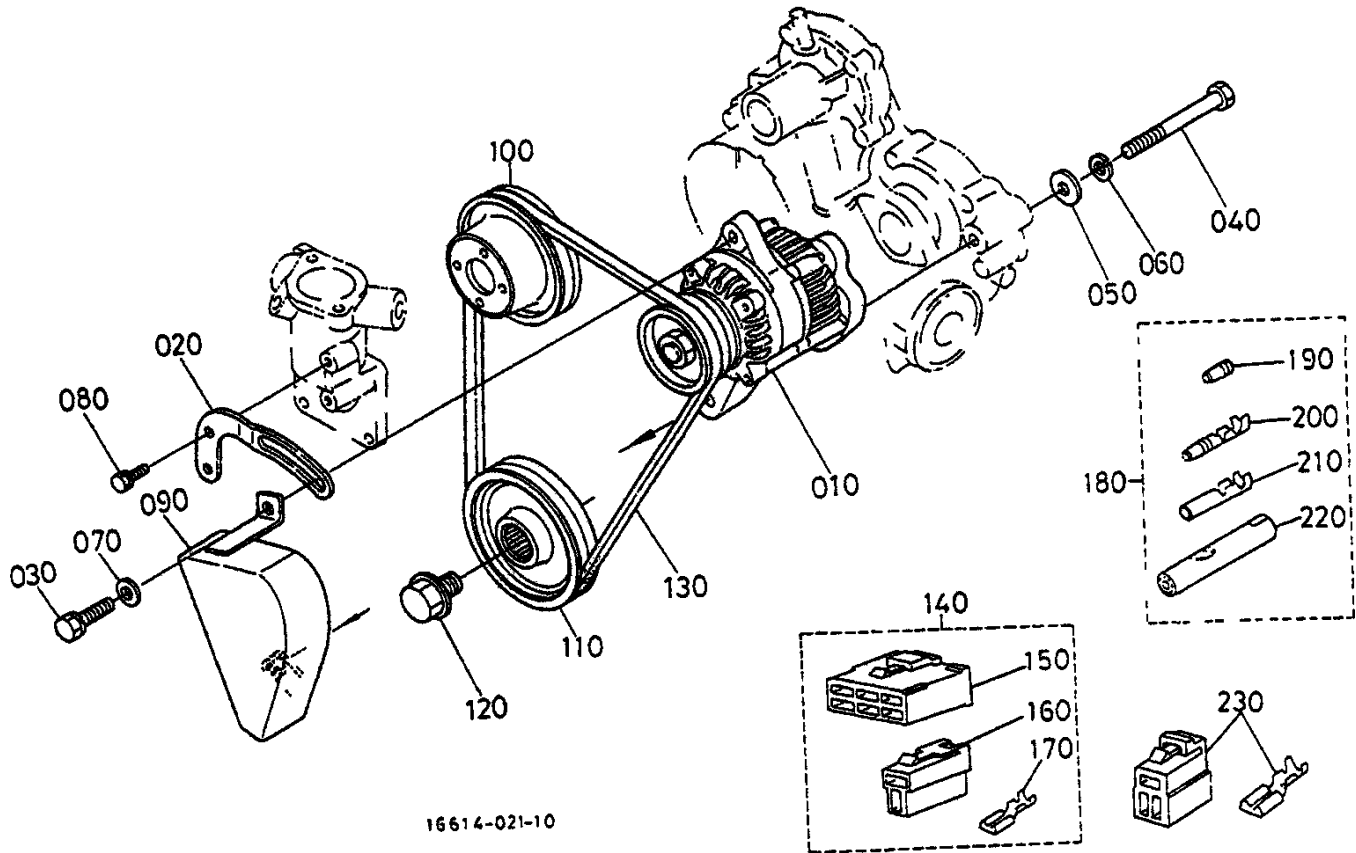
KUBOTA D905-EBG2 — FUEL PUMP (MECHANICAL) ASSY.

FUEL PUMP (MECHANICAL) ASSY.

<u>NO.</u>	<u>PART NO.</u>	<u>PART NAME</u>	<u>QTY.</u>	<u>REMARKS</u>
010	1628552032	ASSEMBLY PUMP, FUEL	1	
020	1626452140	GASKET, FUEL PUMP	1	
030	0205650060	NUT	2	
040	0451250060	WASHER, SPRING	2	

KUBOTA D905-EBG2 — ALTERNATOR AND PULLEY ASSY.

ALTERNATOR AND PULLEY ASSY.



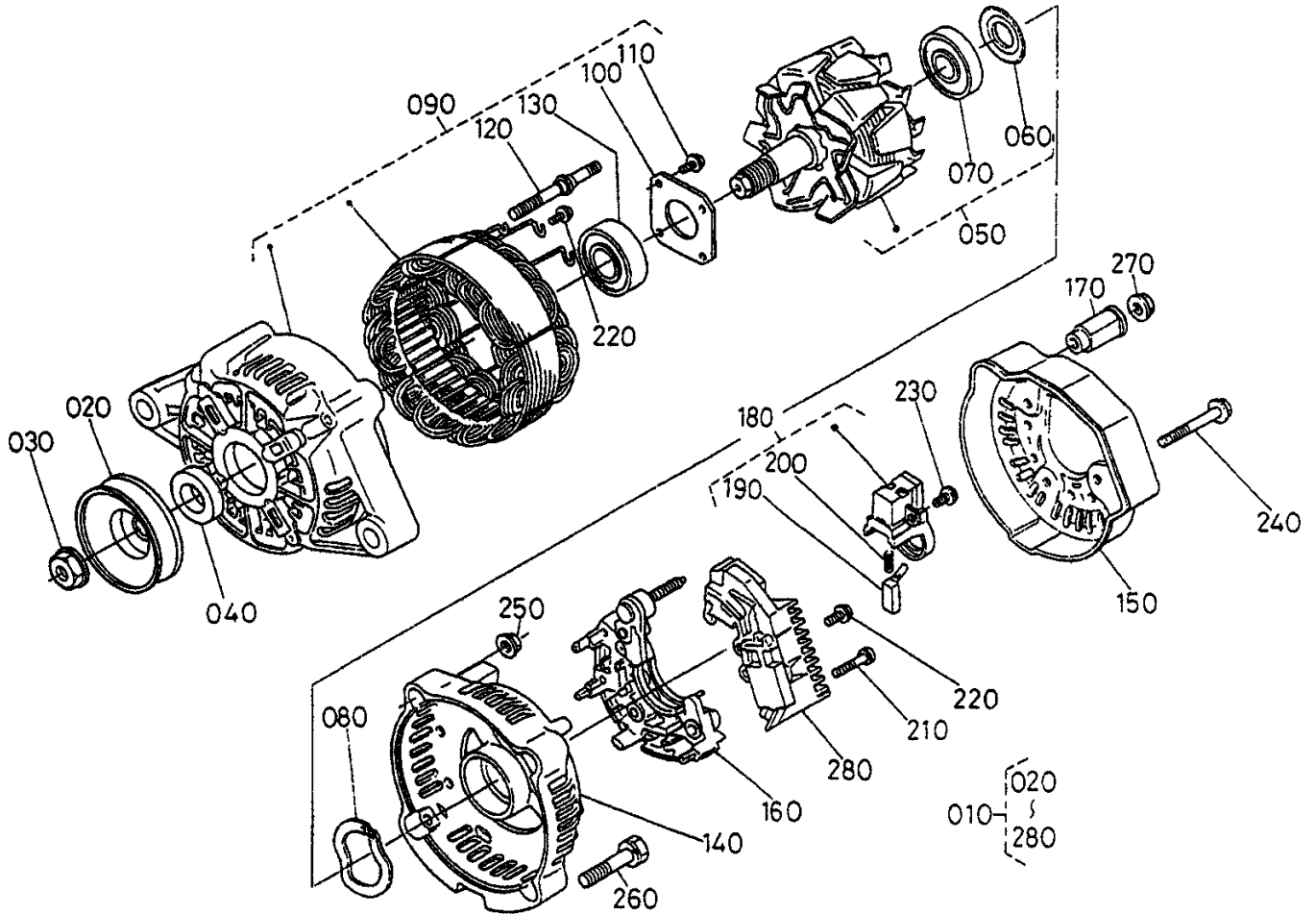
KUBOTA D905-EBG2 — ALTERNATOR AND PULLEY ASSY.

ALTERNATOR AND PULLEY ASSY.

<u>NO.</u>	<u>PART NO.</u>	<u>PART NAME</u>	<u>QTY.</u>	<u>REMARKS</u>
010	1623164010	ASSEMBLY ALTERNATOR	1	12V 30A
020	1624164420	STAY, DYNAMO	1	
030	0112350830	BOLT	1	
040	0117351085	BOLT	1	
050	0401150100	WASHER, PLAIN	1	
060	0451250100	WASHER, SPRING	1	
070	0401550080	WASHER, PLAIN	1	
080	0102350616	BOLT	1	
090	1661613860	COVER, BELT	1	
100	1624174250	PULLEY, FAN	1	
110	1626174280	PULLEY, FAN DRIVE	1	
120	1624191020	BOLT, FAN DRIVE	1	
130	1491197010	V BELT	1	37.6IN
140	1988365830	ASSEMBLY COUPLER	1	
150	1987265840	CONNECTOR	1	
160	1987265880	CONNECTOR	1	
170	1923765910	TERMINAL	7	
180	1926865780	ASSEMBLY TERMINAL	1	
190	6827165910	TERMINAL	1	
200	6827165920	SLEEVE	1	
210	1926865930	TERMINAL	1	
220	1926865870	SLEEVE	1	
230	1625965830	ASSEMBLY COUPLER, LOCK	1	

KUBOTA D905-EBG2 — ALTERNATOR (COMPONENT PARTS) ASSY.

ALTERNATOR (COMPONENT PARTS) ASSY.



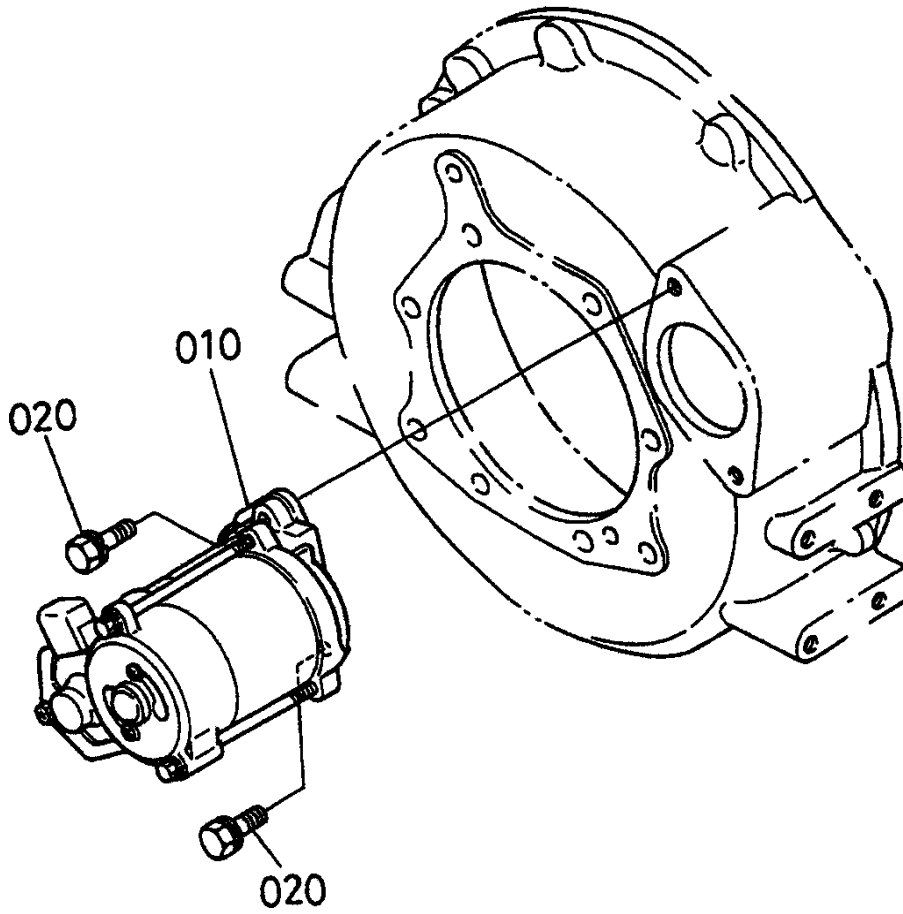
KUBOTA D905-EBG2 — ALTERNATOR (COMPONENT PARTS) ASSY.

ALTERNATOR (COMPONENT PARTS) ASSY.

<u>NO.</u>	<u>PART NO.</u>	<u>PART NAME</u>	<u>QTY.</u>	<u>REMARKS</u>
010	1623164010	ASSEMBLY ALTERNATOR	1	
020	1588164110	PULLEY, DYNAMO	1	
030	1588192010	NUT	1	
040	1588164150	COLLAR	1	
050	1588164040	ROTOR	1	
060	1588164800	COVER, BEARING	1	
070	1588164770	BEARING, BALL	1	
080	1588164810	WASHER, THRUST	1	
090	1623164020	FRAME, DRIVE END	1	
100	1588164710	PLATE, RETAINER	1	
110	1588193010	SCREW, ROUND HEAD	4	
120	1588164260	BOLT, THROUGH	2	
130	1588164780	BEARING, BALL	1	
140	1624164060	FRAME, END	1	
150	1624164230	COVER, END	1	
160	1623164850	ASSEMBLY RECTIFIER	1	
170	1624164900	BUSH, INSULATION	1	
180	1588164310	HOLDER, BRUSH	1	
190	1588164090	BRUSH	2	
200	1588164330	SPRING, BRUSH	2	
210	1588193020	SCREW, ROUND HEAD	2	
220	1588193030	SCREW, ROUND HEAD	6	
230	1588193040	SCREW, ROUND HEAD	1	
240	1588191040	BOLT	3	
250	1588192020	NUT	2	
260	1588191050	BOLT	2	
270	1418292030	NUT	1	
280	1588164600	ASSEMBLY REGULATOR	1	

KUBOTA D905-EBG2 — STARTER ASSY.

STARTER ASSY.



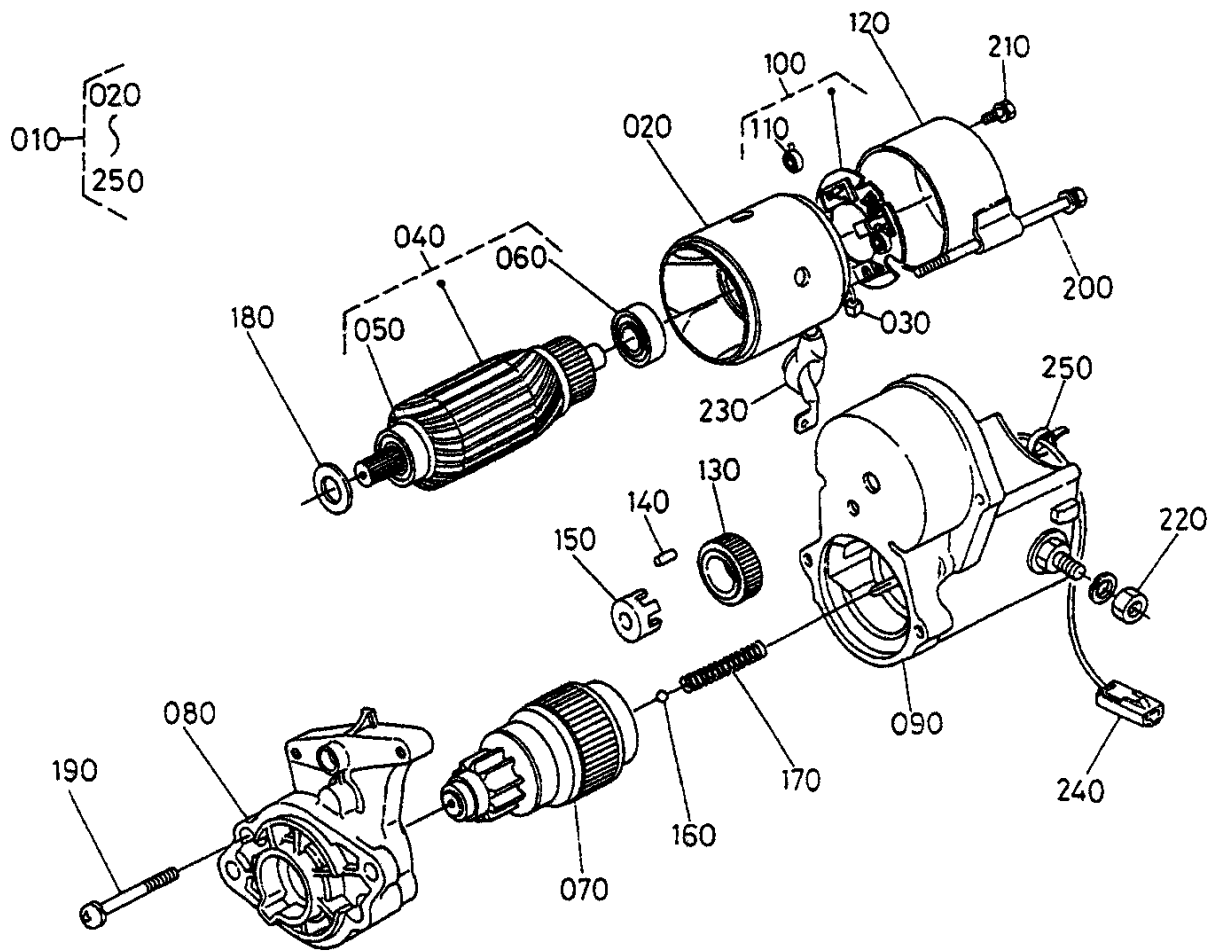
KUBOTA D905-EBG2 — STARTER ASSY.

STARTER ASSY.

<u>NO.</u>	<u>PART NO.</u>	<u>PART NAME</u>	<u>QTY.</u>	<u>REMARKS</u>
010	1661263010	ASSEMBLY STARTER	1	12V 1. OKW
020	0112350830	BOLT	2	

KUBOTA D905-EBG2 — STARTER (COMPONENT PARTS) ASSY.

STARTER (COMPONENT PARTS) ASSY.



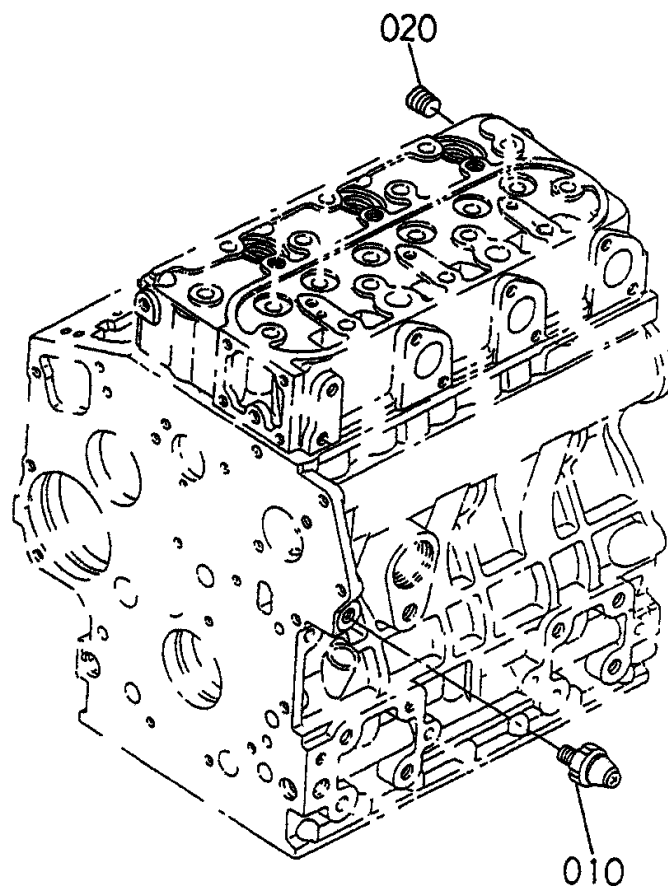
KUBOTA D905-EBG2 — STARTER (COMPONENT PARTS) ASSY.

STARTER (COMPONENT PARTS) ASSY.

<u>NO.</u>	<u>PART NO.</u>	<u>PART NAME</u>	<u>QTY.</u>	<u>REMARKS</u>
010	1651263010	ASSEMBLY STARTER	1	
020	1661263080	ASSEMBLY YOKE	1	
030	1550163370	BRUSH	2	
040	1550163070	ARMATURE	1	
050	1550463500	BEARING, BALL	1	
060	1550463530	BEARING BALL	1	
070	1550463040	CLUTCH	1	
080	1550463030	HOUSING	1	
090	1661263020	ASSEMBLY SWITCH, MAGNETIC	1	
100	1550163380	HOLDER, BRUSH	1	
110	1540163390	SPRING, BRUSH	4	
120	1627163200	FRAME, END	1	
130	1123363280	GEAR	1	
140	1921263100	ROLLER	5	
150	1921263110	RETAINER	1	
160	1921297130	BALL	1	
170	1921263120	SPRING	1	
180	1550196670	WASHER, FELT	1	
190	1550193310	SCREW, PAN- HEAD	2	
200	1550163320	BOLT, THROUGH	2	
210	1550191020	BOLT	2	
220	6795559230	NUT	1	
230	6795559240	COVER	1	
240	1661163660	CORD, STOP SOLENOID	1	
250	1661263100	BAND, COVER	1	

KUBOTA D905-EBG2 — OIL SWITCH/THERMOMETER AND PLUG ASSY.

OIL SWITCH/THERMOMETER AND PLUG ASSY.



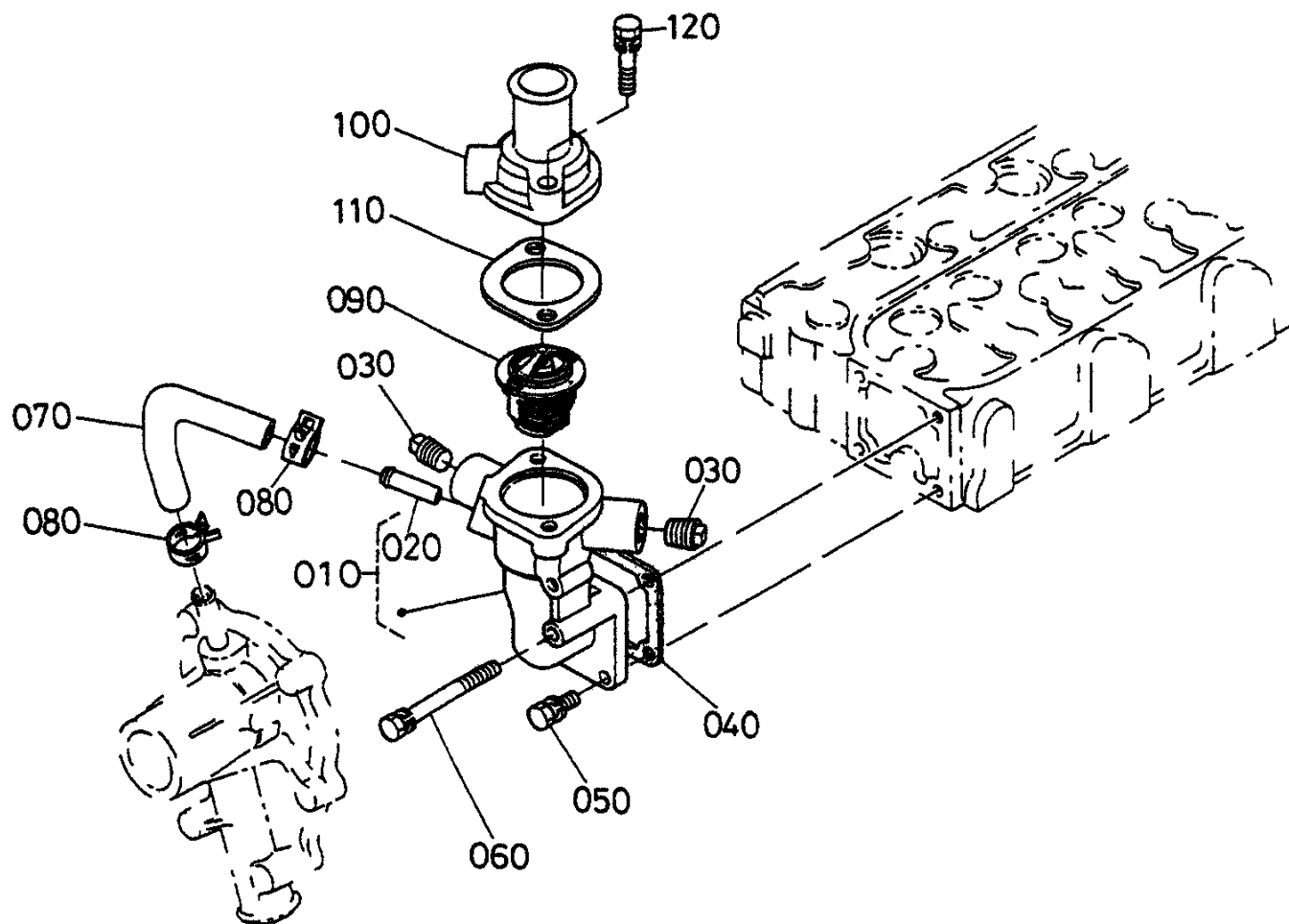
KUBOTA D905-EBG2 — OIL SWITCH/THERMOMETER AND PLUG ASSY.

OIL SWITCH/ THERMOMETER AND PLUG ASSY.

<u>NO.</u>	<u>PART NO.</u>	<u>PART NAME</u>	<u>QTY.</u>	<u>REMARKS</u>
010		SWITCH, OIL	1	SEE PAGE 49, ITEM 20
020	1584196020	PLUG	1	

KUBOTA D905-EBG2 — WATER FLANGE AND THERMOSTAT ASSY.

WATER FLANGE AND THERMOSTAT ASSY.



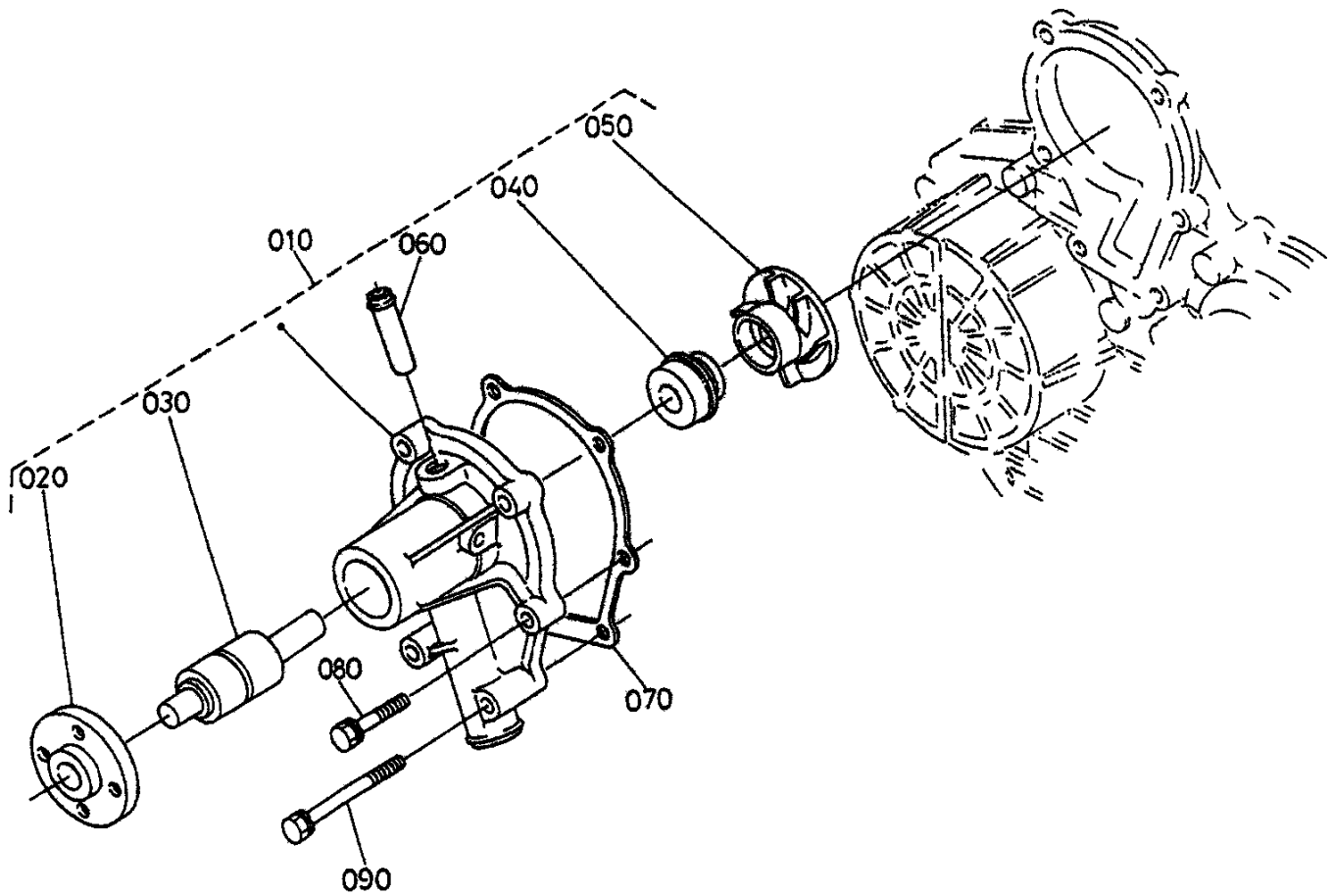
KUBOTA D905-EBG2 — WATER FLANGE AND THERMOSTAT ASSY.

WATER FLANGE AND THERMOSTAT ASSY.

<u>NO.</u>	<u>PART NO.</u>	<u>PART NAME</u>	<u>QTY.</u>	<u>REMARKS</u>
010	1661372700	COMPLETE FLANGE, WATER	1	
020	1624173370	PIPE, WATER RETURN	1	
030	1929896020	PLUG	2	
040	1626472920	GASKET, WATER FLANGE	1	
050	0102350616	BOLT	3	
060	0102350655	BOLT	1	
070	1624173350	PIPE, WATER RETURN	1	
080	1624173360	BAND, PIPE	2	
090	1943473010	ASSEMBLY THERMOSTAT	1	
100	1621973260	COVER, THERMOSTAT	1	
110	1531373270	GASKET, THERMOSTAT	1	
120	0112350835	BOLT	2	

KUBOTA D905-EBG2 — WATER PUMP ASSY.

WATER PUMP ASSY.



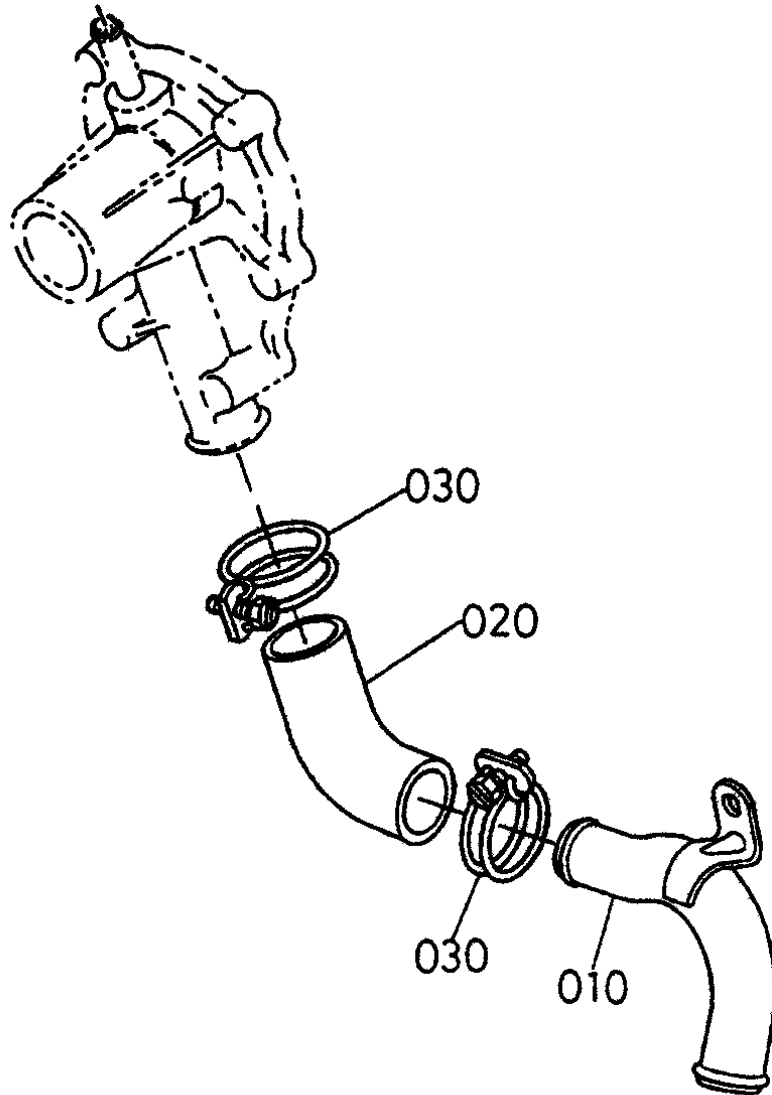
KUBOTA D905-EBG2 — WATER PUMP ASSY.

WATER PUMP ASSY.

<u>NO.</u>	<u>PART NO.</u>	<u>PART NAME</u>	<u>QTY.</u>	<u>REMARKS</u>
010	1625973032	ASSEMBLY PUMP, WATER	1	
020	1625973520	FLANGE, WATER PUMP	1	
030	1625973550	BEARING	1	
040	1548173050	ASSEMBLY SEAL, MECHANICAL	1	
050	1625973510	IMPELLER, WATER PUMP	1	
060	1624173340	PIPE, WATER RETURN	1	
070	1623973430	GASKET, WATER PUMP	1	
080	0102350630	BOLT	4	
090	0102350680	BOLT	2	

KUBOTA D905-EBG2 — WATER PIPE ASSY.

WATER PIPE ASSY.



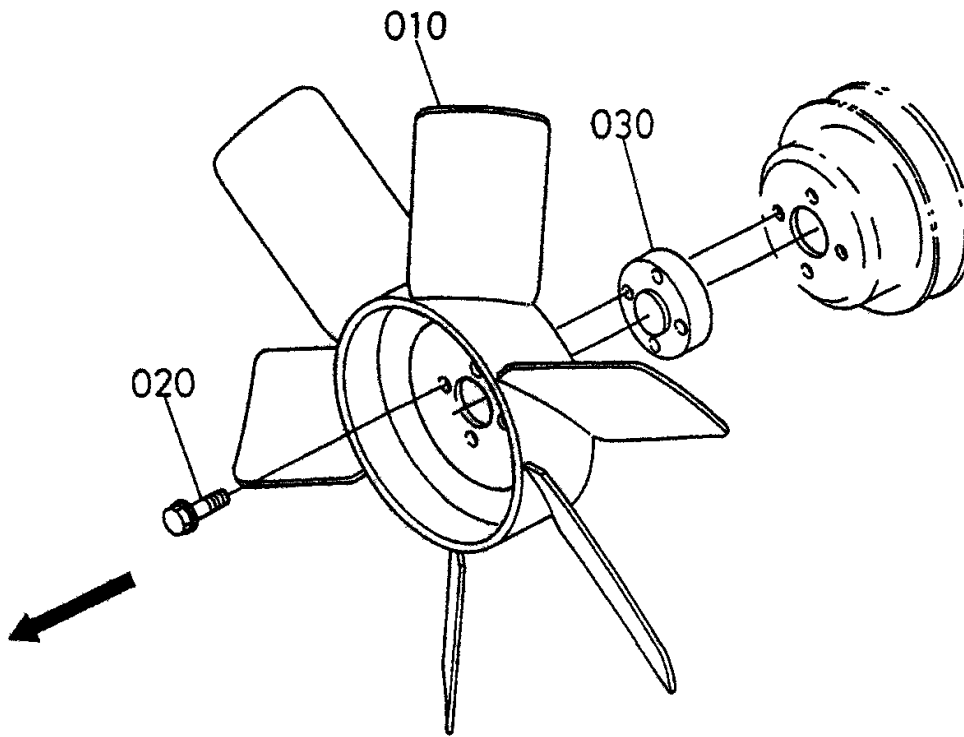
KUBOTA D905-EBG2 — WATER PIPE ASSY.

WATER PIPE ASSY.

<u>NO.</u>	<u>PART NO.</u>	<u>PART NAME</u>	<u>QTY.</u>	<u>REMARKS</u>
010	1628572860	PIPE, WATER	1	
020	1624172870	PIPE, WATER	1	
030	3620082720	CLAMP	2	

KUBOTA D905-EBG2 — FAN ASSY.

FAN ASSY.



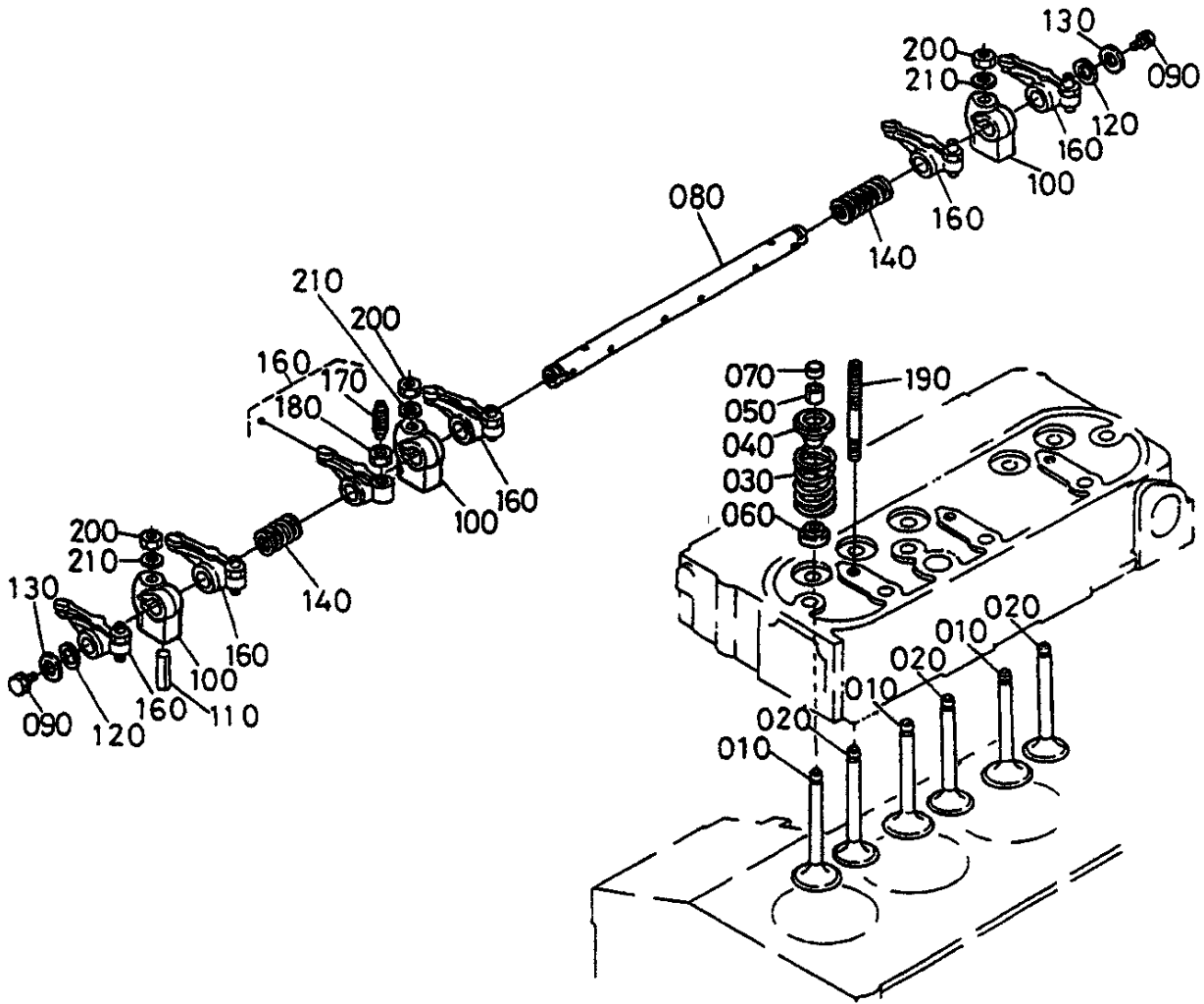
KUBOTA D905-EBG2 — FAN ASSY.

FAN ASSY.

<u>NO.</u>	<u>PART NO.</u>	<u>PART NAME</u>	<u>QTY.</u>	<u>REMARKS</u>
010	1554774112	FAN	1	
020	0175450620	BOLT, FLANGE	4	
030	1587674150	COLLAR, FAN	1	

KUBOTA D905-EBG2 — VALVE AND ROCKER ARM ASSY.

VALVE AND ROCKER ARM ASSY.



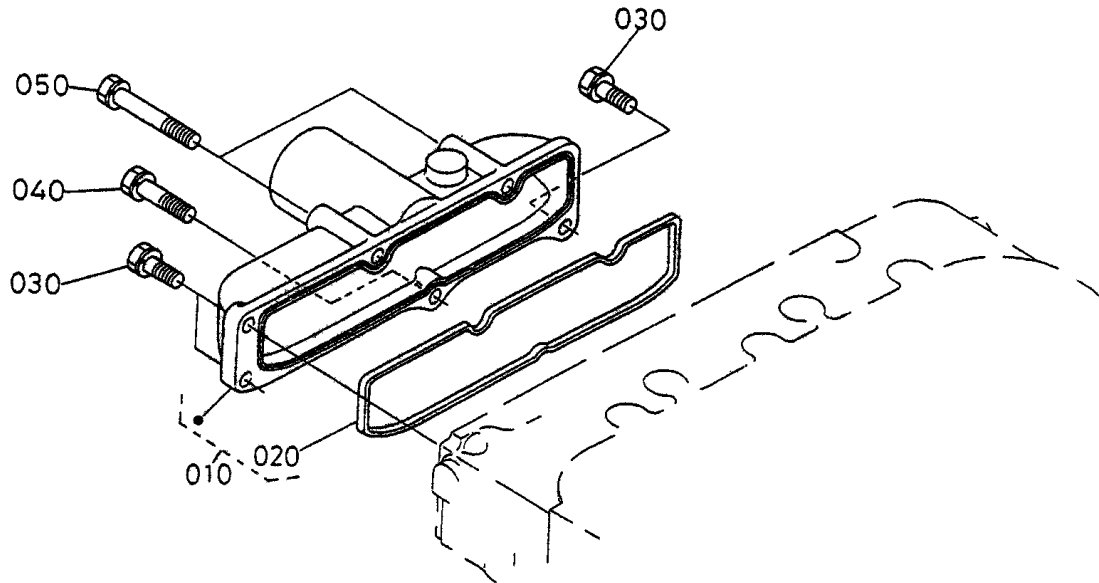
KUBOTA D905-EBG2 — VALVE AND ROCKER ARM ASSY.

VALVE AND ROCKER ARM ASSY.

<u>NO.</u>	<u>PART NO.</u>	<u>PART NAME</u>	<u>QTY.</u>	<u>REMARKS</u>
010	1624113110	VALVE, INLET	3	
020	0624113120	VALVE, EXHAUST	3	
030	1627113240	SPRING, VALVE	6	
040	1624113330	RETAINER, VALVE SP.	6	
050	1526113360	COLLET, VALVE SPRING	6	SET
060	1C01013150	SEAL, VALVE STEM	6	
070	1624113280	CAP, VALVE	6	
080	1626114264	SHAFT, ROCKER ARM	1	
090	0102350610	BOLT	2	
100	1624114350	BRACKET, ROCKER ARM	3	
110	0541100428	PIN, SPRING	1	
120	1624114430	WASHER, R- ARM. SHAFT	2	
130	1584194022	WASHER, PLAIN	2	
140	1624114319	SPRING, ROCKER ARM	2	
160	1624114032	ASSEMBLY ROCKER ARM	6	
170	1624114230	SCREW, ADJUSTING	6	
180	1624114240	NUT	6	
190	1624114410	STUD	3	
200	1526192010	NUT	3	
210	1526194010	WASHER, PLAIN	3	

KUBOTA D905-EBG2 — INLET MANIFOLD ASSY.

INLET MANIFOLD ASSY.



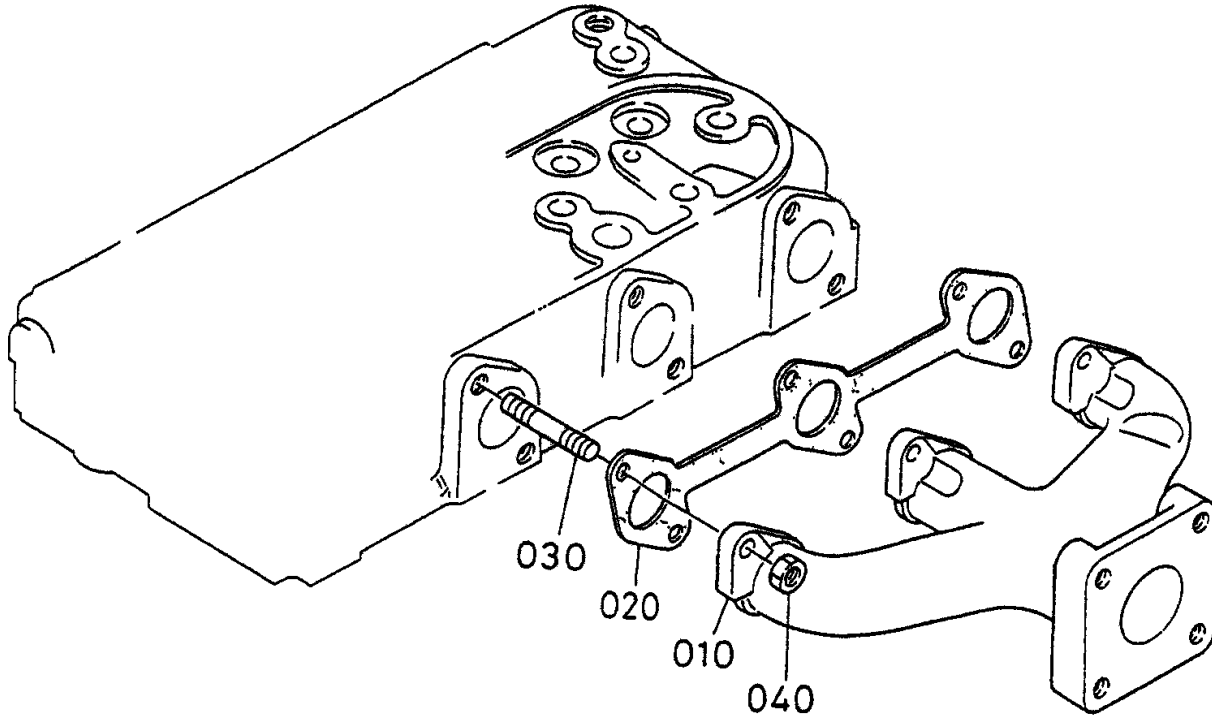
KUBOTA D905-EBG2 — INLET MANIFOLD ASSY.

INLET MANIFOLD ASSY.

<u>NO.</u>	<u>PART NO.</u>	<u>PART NAME</u>	<u>QTY.</u>	<u>REMARKS</u>
010	1626111770	ASSEMBLY MANIFOLD, INLET	1	
020	1626111822	GASKET, IN- MANIFOLD	1	
030	0102350618	BOLT	3	
040	0102350630	BOLT	1	
050	0102360650	BOLT	2	

KUBOTA D905-EBG2 — EXHAUST MANIFOLD ASSY.

EXHAUST MANIFOLD ASSY.



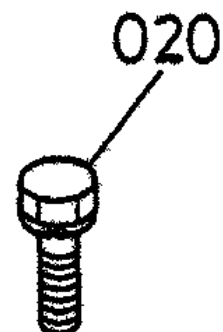
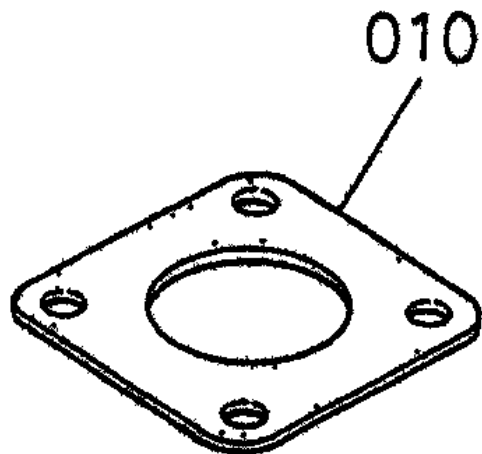
KUBOTA D905-EBG2 — EXHAUST MANIFOLD ASSY.

EXHAUST MANIFOLD ASSY.

<u>NO.</u>	<u>PART NO.</u>	<u>PART NAME</u>	<u>QTY.</u>	<u>REMARKS</u>
010	1721312312	MANIFOLD, EXHAUST	1	
020	1626112350	GASKET, EX- MANIFOLD	1	
030	1624191490	STUD	6	
040	1627192010	NUT	6	

KUBOTA D905-EBG2 — ACCESSORIES AND SERVICE PARTS ASSY.

ACCESSORIES AND SERVICE PARTS ASSY.



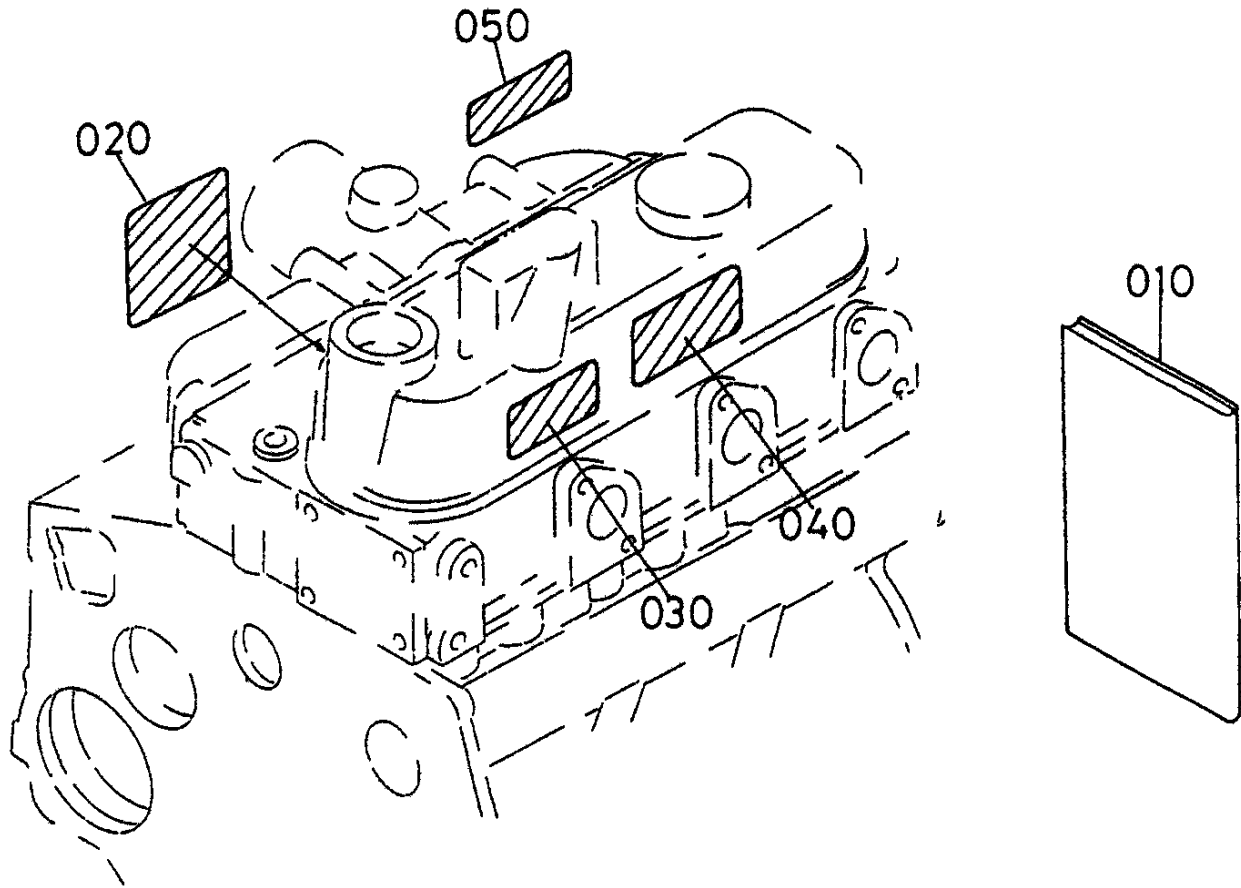
KUBOTA D905-EBG2 — ACCESSORIES AND SERVICE PARTS ASSY.

ACCESSORIES AND SERVICE PARTS ASSY.

<u>NO.</u>	<u>PART NO.</u>	<u>PART NAME</u>	<u>QTY.</u>	<u>REMARKS</u>
010	1526312370	GASKET, MUFFLER NA	1	
020	0112350822	BOLT	4	

KUBOTA D905-EBG2 — LABEL AND OPERATOR'S MANUAL ASSY.

LABEL AND OPERATOR'S MANUAL ASSY.



KUBOTA D905-EBG2 — LABEL AND OPERATOR'S MANUAL ASSY.

LABEL AND OPERATOR'S MANUAL ASSY.

<u>NO.</u>	<u>PART NO.</u>	<u>PART NAME</u>	<u>QTY.</u>	<u>REMARKS</u>
010	1668389166	MANUAL, INSTRUCTION	1	
020	1622587114	NAME PLATE, ENGINE	1	
030	1942687903	LABEL	1	
040	1942687880	LABEL, INSTRUCTION	1	
050	1668388690	LABEL	1	