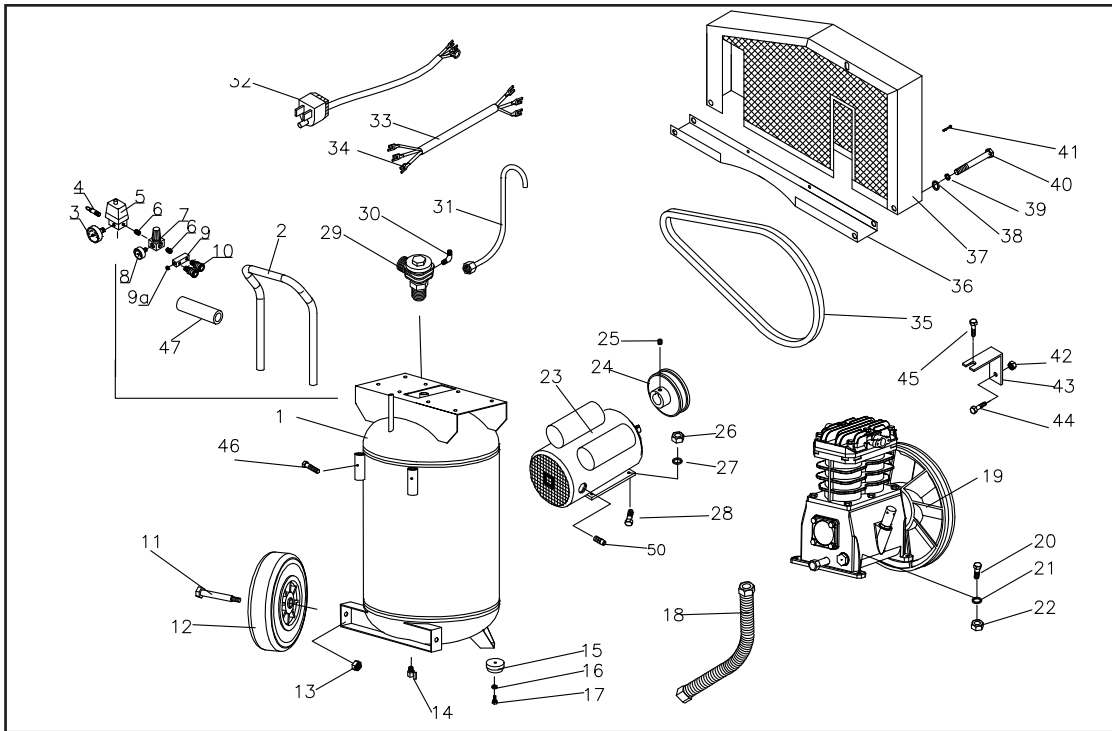




# 30 GALLON VERTICAL AIR COMPRESSOR BREAKDOWN

AC3230B

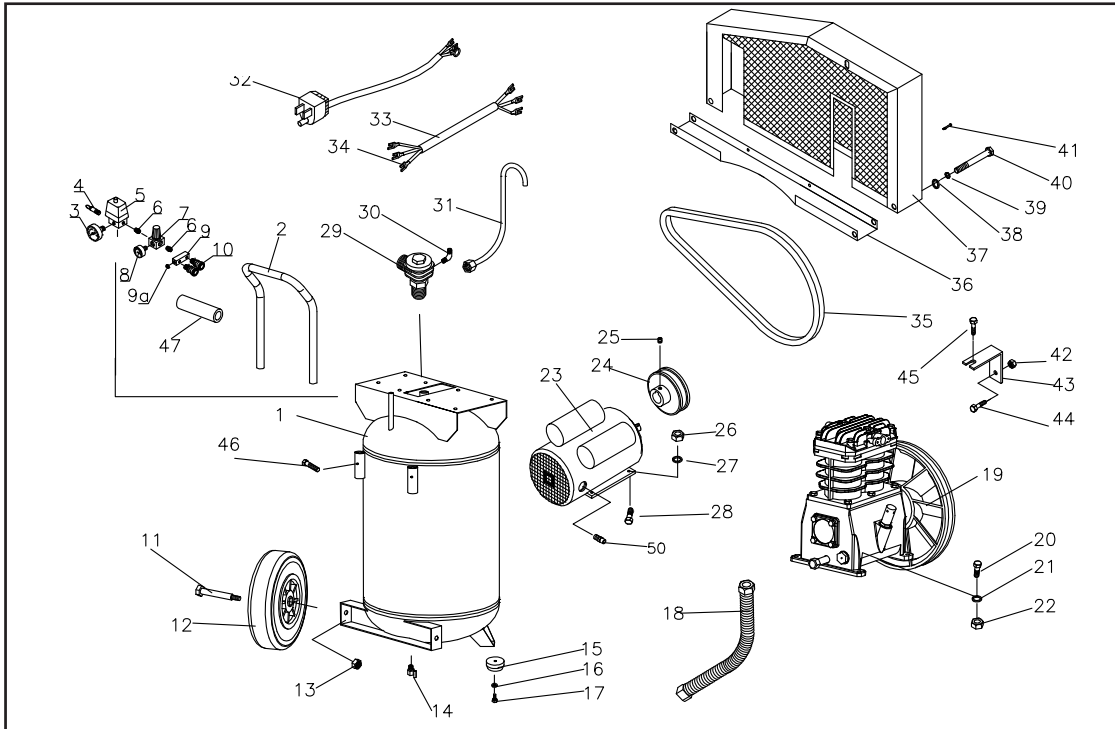


| REF | DESCRIPTION           | PART NUMBER | QTY. |
|-----|-----------------------|-------------|------|
| 2   | Grip,Handle           | 42.004.516  | 1    |
| 46  | Screw                 |             | 2    |
| 47  | Grip,Handle           |             | 1    |
| 2   | Grip,Handle           | 42.004.517  | 1    |
| 46  | Screw                 |             | 2    |
| 47  | Grip,Handle           |             | 1    |
| 2   | Grip,Handle           | 42.004.518  | 1    |
| 46  | Screw                 |             | 2    |
| 47  | Grip,Handle           |             | 1    |
| 3   | Pressure Gauge        | 42.003.006  | 1    |
| 4   | Safety Valve          | 42.006.046  | 1    |
| 5   | Pressure Switch       | 42.004.519  | 1    |
| 7   | Regulator             | 42.004.520  | 1    |
| 8   | Pressure Gauge        | 42.003.005  | 1    |
| 9   | branch pipe           | 42.000.018  | 1    |
| 9a  | drain plug            |             | 2    |
| 10  | Coupler               | 42.000.046  | 2    |
| 11  | Bolt                  | 42.004.506  | 2    |
| 12  | Tank Wheel            |             | 2    |
| 13  | Six Angle Nut         |             | 2    |
| 14  | Drain Cock            | 42.004.012  | 1    |
| 15  | Foot Rubber Pad       | 42.004.505  | 2    |
| 16  | 6 Flat Washer         |             | 2    |
| 17  | Bolt                  |             | 2    |
| 18  | Exhaust Pipe Assembly | 42.004.521  | 1    |
| 19  | Pump                  | 42.004.510  | 1    |
| 20  | Bolt                  |             | 4    |
| 21  | Spring Washer         |             | 4    |
| 22  | Six Angle Nut         |             | 4    |



# 30 GALLON VERTICAL AIR COMPRESSOR BREAKDOWN

AC3230B



| REF | DESCRIPTION        | PART NUMBER | QTY. |
|-----|--------------------|-------------|------|
| 24  | Motor Pulley       | 42.004.512* | 1    |
| 25  | In-Six Angle Bolt  |             | 1    |
| 23  | Motor              |             | 1    |
| 26  | Six Angle Nut      |             | 4    |
| 27  | Washer             | 42.004.511* | 4    |
| 28  | Motor Bolt         |             | 4    |
| 48  | Cable Glands       |             | 1    |
| 29  | Check Valve        |             | 1    |
| 30  | Unload copper Pipe | 42.004.508* | 1    |
| 31  | Unload Elbow       |             | 0.2M |
| 35  | V-Belt             | 42.004.513* | 1    |
| 36  | Safety Guard       |             | 1    |
| 37  | Safety Guard       |             | 1    |
| 38  | Washer             |             | 2    |
| 39  | Spring Washer      |             | 2    |
| 40  | Bolt               |             | 2    |
| 41  | Screw              | 42.004.522  | 2    |
| 42  | Six Angle Nut      |             | 1    |
| 43  | Holder             |             | 1    |
| 44  | Screw              |             | 1    |
| 45  | Screw, M6x1x16     |             | 1    |
| 42  | Six Angle Nut      |             | 1    |
| 43  | Holder             | 42.004.509  | 1    |
| 44  | Screw              |             | 1    |
| 45  | Screw, M6x1x16     |             | 1    |