

INSTALLATION INSTRUCTIONS

WARNING: IMPROPER INSTALLATION, ADJUSTMENT, ALTERATION, SERVICE OR MAINTENANCE CAN CAUSE INJURY OR PROPERTY DAMAGE. REFER TO THIS MANUAL. FOR ASSISTANCE OR ADDITIONAL INFORMATION CONSULT A QUALIFIED INSTALLER, SERVICE AGENCY OR THE GAS SUPPLIER.

WARNING: THE DVT8 SERIES FIREPLACES ARE VENTED DECORATIVE GAS APPLIANCES. DO NOT BURN WOOD OR OTHER MATERIAL IN THESE APPLIANCES.

WARNING: AT THE BEGINNING OF EACH HEATING SEASON HAVE THE GLASS DOOR GASKET INSPECTED FOR PROPER SEALING BY A QUALIFIED SERVICE TECHNICIAN.

(COPY)

Formerly Identified
As Models

_DVC-43TMN _DVR-43TMN
_DVC-43TMP _DVR-43TMP
_DVC-43TEN _DVR-43TEN
_DVC-43TEP _DVR-43TEP

**Models Covered In This Document
Are Part Of Superior's
DVT-8000 SERIES**

Installation And Operating Instructions

*For Direct Vent
Decorative Gas
Appliances*

Millivolt Models
_DVT8-CMNS
_DVT8-CMPS
_DVT8-RMNS
_DVT8-RMPS

Electronic Models
_DVT8-CENS
_DVT8-CEPS
_DVT8-RENS
_DVT8-REPS

*And Vent System
Accessories*

_DST5-12/18/36
_DST5-90ELB
_DVSP5-90ELB
_DST5-45ELB
_DST5-HTK
_DV-HTK-1
_DST5-VTK
_DST5-EXT
_DST5-FSV
_DST5-F
_DSF5-24

FOR YOUR SAFETY

What to do if you smell gas:

- DO NOT light any appliance.
- DO NOT touch any electrical switches.
- DO NOT use any phone in your building.
- Immediately call your gas supplier from a neighbor's phone.
- If your gas supplier cannot be reached, call the fire department.

FOR YOUR SAFETY

Do not store or use gasoline or other flammable vapors or liquids in the vicinity of this or any other appliance.

Due to high temperatures, the appliance should be located out of traffic and away from furniture or drapes. Do not place clothing or other materials on or near the appliance.

PLEASE RETAIN THIS MANUAL FOR FUTURE REFERENCE.



IAS Report No. L 2970013

U.S. Patent 5,553,603

Note: Underscore is used here in place of a letter character which varies by product line. Letter shown in the first position of the Model Number is designated as follows: S = Superior, F = Freepipe, H = Hearthtite!

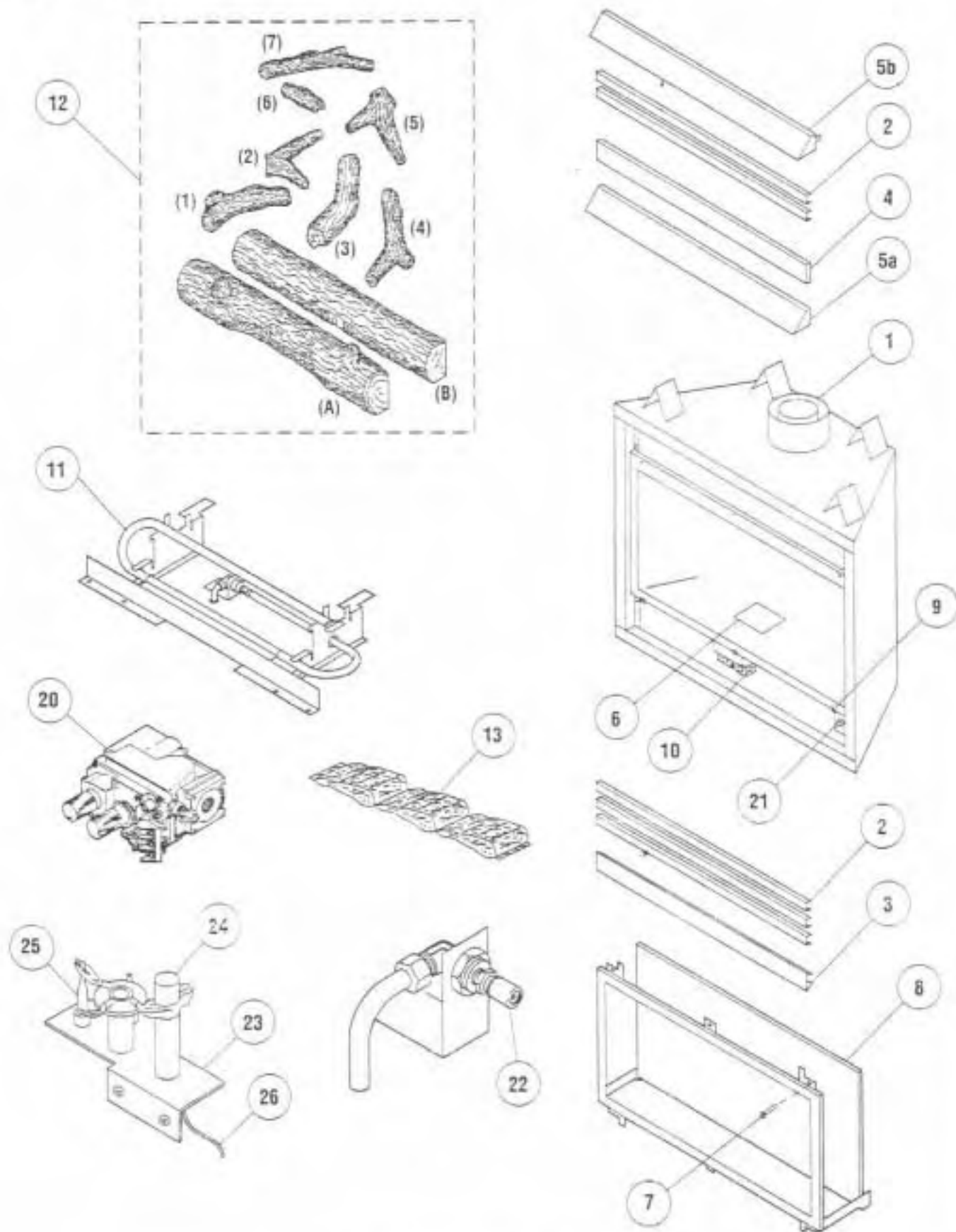
REPLACEMENT PARTS LIST — MILLIVOLT

No.	DESCRIPTION	_DVT8-CMNS		_DVT8-CMPS		_DVT8-RMNS		_DVT8-RMPS	
		Part No.	Qty.	Part No.	Qty.	Part No.	Qty.	Part No.	Qty.
1.	Gas Fireplace Assembly	105872	1	105874	1	105871	1	105873	1
2.	Bar, Louver (Black)	104931	5	104931	5	104931	1	104931	1
3.	Panel, Lower, Radiant	-	-	-	-	104621	1	104621	1
4.	Panel, Upper Radiant	-	-	-	-	104601	1	104601	1
5a.	Hood (Black), Clean Face	-	-	-	-	104641	1	104641	1
5b.	Hood (Black), Louver Face	104581	1	104581	1	-	1	-	1
6.	Gasket, Spud	902123	1	902123	1	902123	1	902123	1
7.	Screw	000861	3	000861	3	000861	3	000861	3
8.	Replacement Glass Panel with Gasket	-	1	-	1	-	1	-	1
9.	Door Switch	094468	1	094468	1	094468	1	094468	1
10.	Control Panel Sub Assembly	106011	1	106011	1	106011	1	106011	1
11.	Burner Assembly	105291	1	105291	1	105291	1	105291	1
12.	Log Set (Rustic)	-	-	-	-	-	-	-	-
A.	Front Log	902342	1	902342	1	902342	1	902342	1
B.	Rear Log	902343	1	902343	1	902343	1	902343	1
(1).	Twig, Center, Left-1	902312	1	902312	1	902312	1	902312	1
(2).	Twig, Center, Left-2	902313	1	902313	1	902313	1	902313	1
(3).	Twig, Center, Right-2	902344	1	902344	1	902344	1	902344	1
(4).	Twig, Center, Right-1	902314	1	902314	1	902314	1	902314	1
(5).	Top Twig, Right	902316	1	902316	1	902316	1	902316	1
(6).	Top Twig, Left	902345	1	902345	1	902345	1	902345	1
(7).	Twig, Top Center	902315	1	902315	1	902315	1	902315	1
13.	Bag of Rockwool/Ember Coals	125011	1	125011	1	125011	1	125011	1

GAS CONTROLS — MILLIVOLT

No.	DESCRIPTION	_DVT8-CMNS		_DVT8-CMPS		_DVT8-RMNS		_DVT8-RMPS	
		Part No.	Qty.	Part No.	Qty.	Part No.	Qty.	Part No.	Qty.
20.	Gas Valve - SIT	902159	1	902160	1	902159	1	902160	1
21.	Piezo Igniter	091301	1	091301	1	091301	1	091301	1
22.	Orifice, Standard	901931	1	901933	1	901931	1	901933	1
	Orifice, High Altitude Kit	901932	1	094116	1	901932	1	094116	1
23.	Pilot Assembly	902161	1	902162	1	902161	1	902162	1
24.	Pilot Generator	094699	1	094699	1	094699	1	094699	1
25.	Thermocouple	902163	1	902163	1	902163	1	902163	1
26.	Ignition Cable	902164	1	902164	1	902164	1	902164	1

REPLACEMENT PARTS — MILLIVOLT



NOTE: DIAGRAMS & ILLUSTRATIONS NOT TO SCALE

REPLACEMENT PARTS LIST — ELECTRONIC

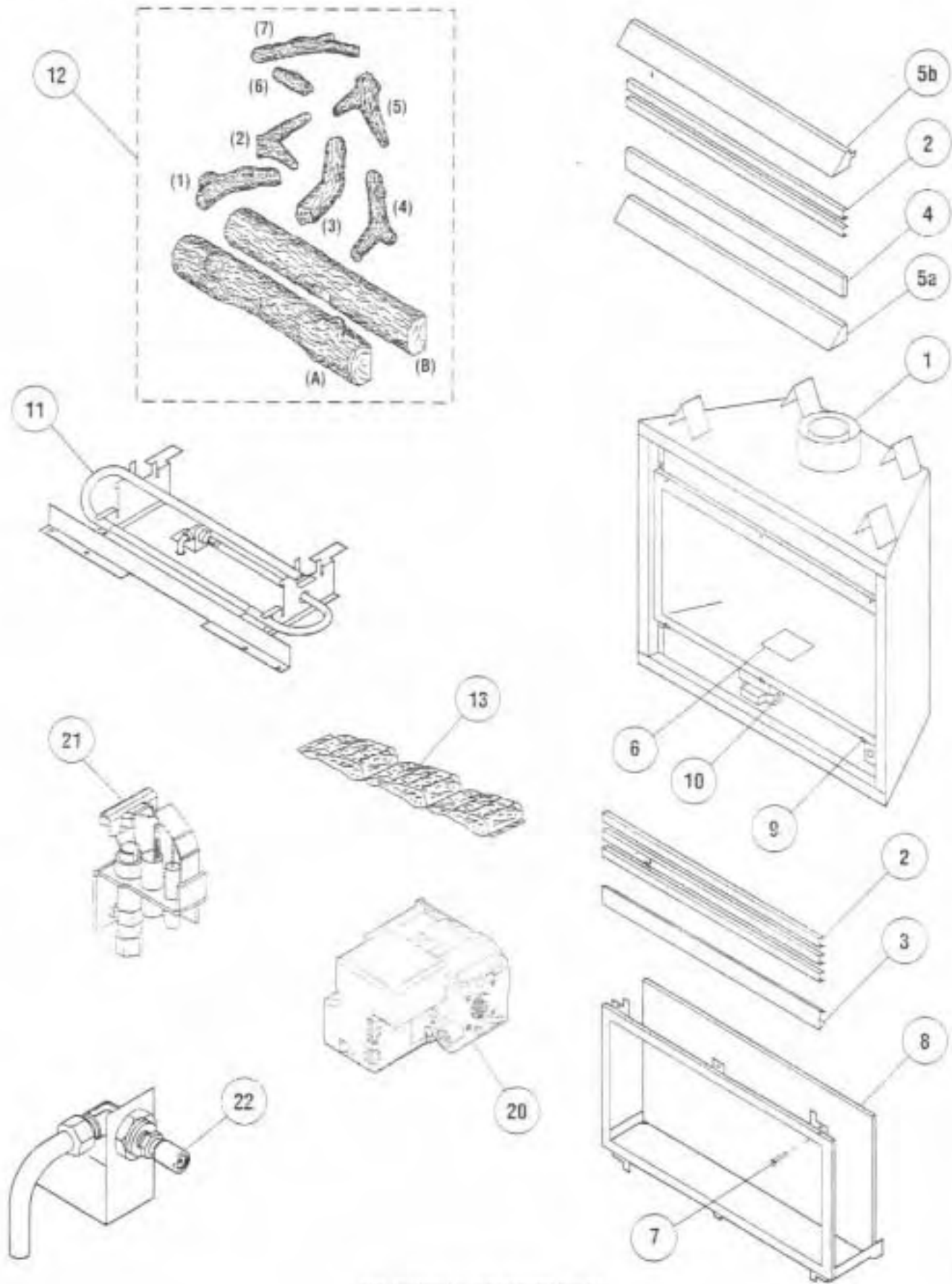
No.	DESCRIPTION	_DVT8-CENS		_DVT8-CEPS		_DVT8-RENS		_DVT8-REPS	
		Part No.	Qty.	Part No.	Qty.	Part No.	Qty.	Part No.	Qty.
1.	Gas Fireplace Assembly	105882	1	105884	1	105881	1	105883	1
2.	Bar, Louver (Black)	104931	5	104931	5	104931	1	104931	1
3.	Panel, Lower, Radiant	-	-	-	-	104621	1	104621	1
4.	Panel, Upper Radiant	-	-	-	-	104601	1	104601	1
5a.	Hood (Black), Clean Face	-	-	-	-	104641	1	104641	1
5b.	Hood (Black), Lower Face	104381	1	104381	1	-	-	-	-
6.	Gasket, Spud	902123	1	902123	1	902123	1	902123	1
7.	Screw	000861	3	000861	3	000861	3	000861	3
8.	Replacement Glass Panel with Gasket	063917	1	063917	1	063917	1	063917	1
9.	Door Switch	094468	1	094468	1	094468	1	094468	1
10.	Control Panel Sub Assembly	106061	1	106062	1	106061	1	106062	1
11.	Burner Assembly	105291	1	105291	1	105291	1	105291	1
12.	Log Set (Rustic)	-	-	-	-	-	-	-	-
A.	Front Log	902342	1	902342	1	902342	1	902342	1
B.	Rear Log	902343	1	902343	1	902343	1	902343	1
(1).	Twig, Center, Left-1	902312	1	902312	1	902312	1	902312	1
(2).	Twig, Center, Left-2	902313	1	902313	1	902313	1	902313	1
(3).	Twig, Center, Right-2	902344	1	902344	1	902344	1	902344	1
(4).	Twig, Center, Right-1	902314	1	902314	1	902314	1	902314	1
(5).	Top Twig, Right	902316	1	902316	1	902316	1	902316	1
(6).	Top Twig, Left	902345	1	902345	1	902345	1	902345	1
(7).	Twig, Top Center	902315	1	902315	1	902315	1	902315	1
13.	Bag of Rockwool/Ember Coals	125011	1	125011	1	125011	1	125011	1

067675

GAS CONTROLS — ELECTRONIC

No.	DESCRIPTION	_DVT8-CENS		_DVT8-CEPS		_DVT8-RENS		_DVT8-REPS	
		Part No.	Qty.	Part No.	Qty.	Part No.	Qty.	Part No.	Qty.
20.	Gas Valve - Honeywell	904404	1	904404	1	904404	1	904404	1
21.	Pilot Assembly	904227	1	904347	1	904227	1	904347	1
22.	Orifice, Standard	901931	1	901933	1	901931	1	901933	1
	Orifice, High Altitude Kit	901932	1	094116	1	901932	1	094116	1

REPLACEMENT PARTS — ELECTRONIC



NOTE: DIAGRAMS & ILLUSTRATIONS NOT TO SCALE.