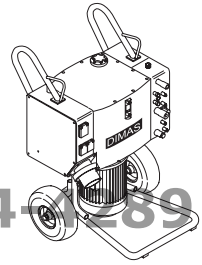


DIMAS

ConstructionParts.com

888-634-4289



IPL, DIMAS PP 355 E, 2004-46, 531 14 20-73

DIMAS PP355E

Reservdelar

Spare parts

Ersatzteile

Pieces de rechange

Piezas de repuesto

Ricambi

Peças
sobresselente

ConstructionParts.com

ConstructionParts.com

From machine number: 2189

888-634-4289

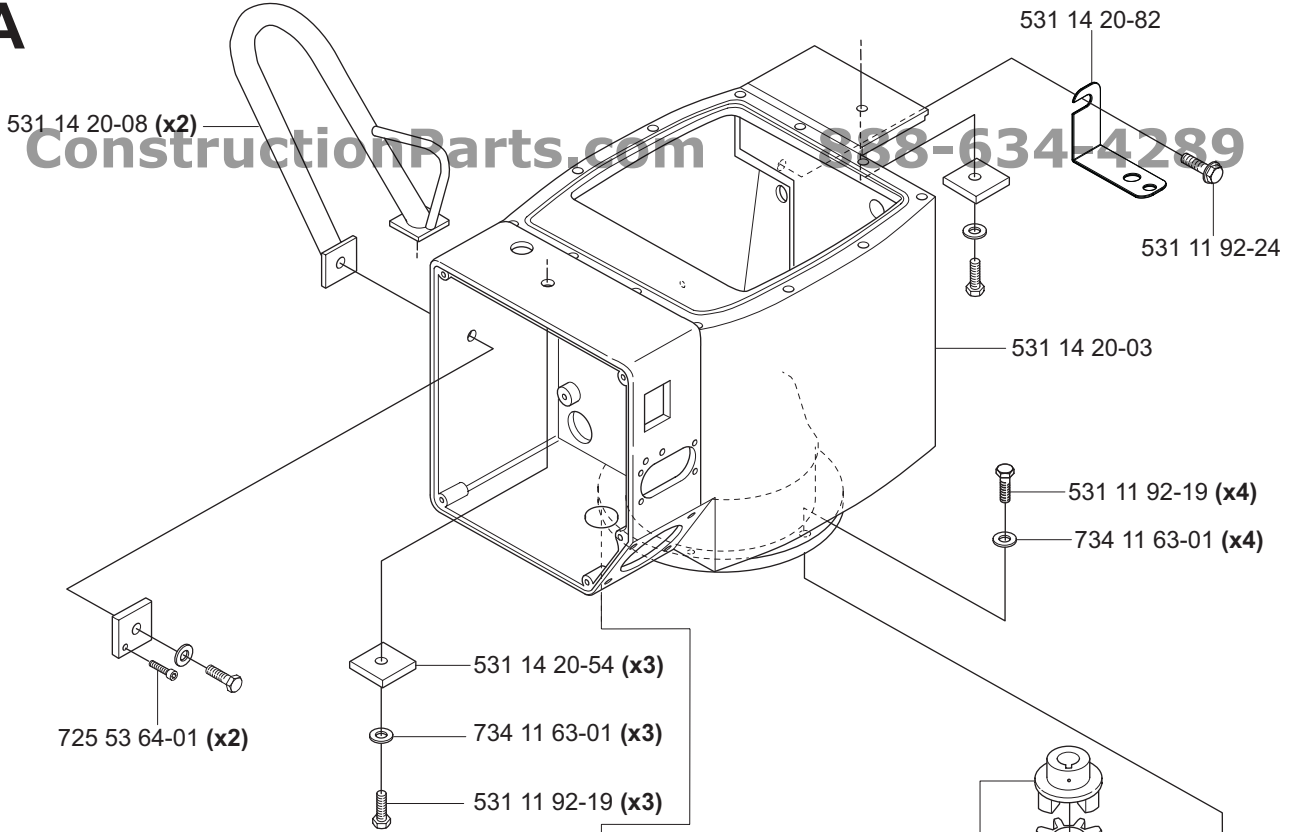
531 14 20-73

DIMAS

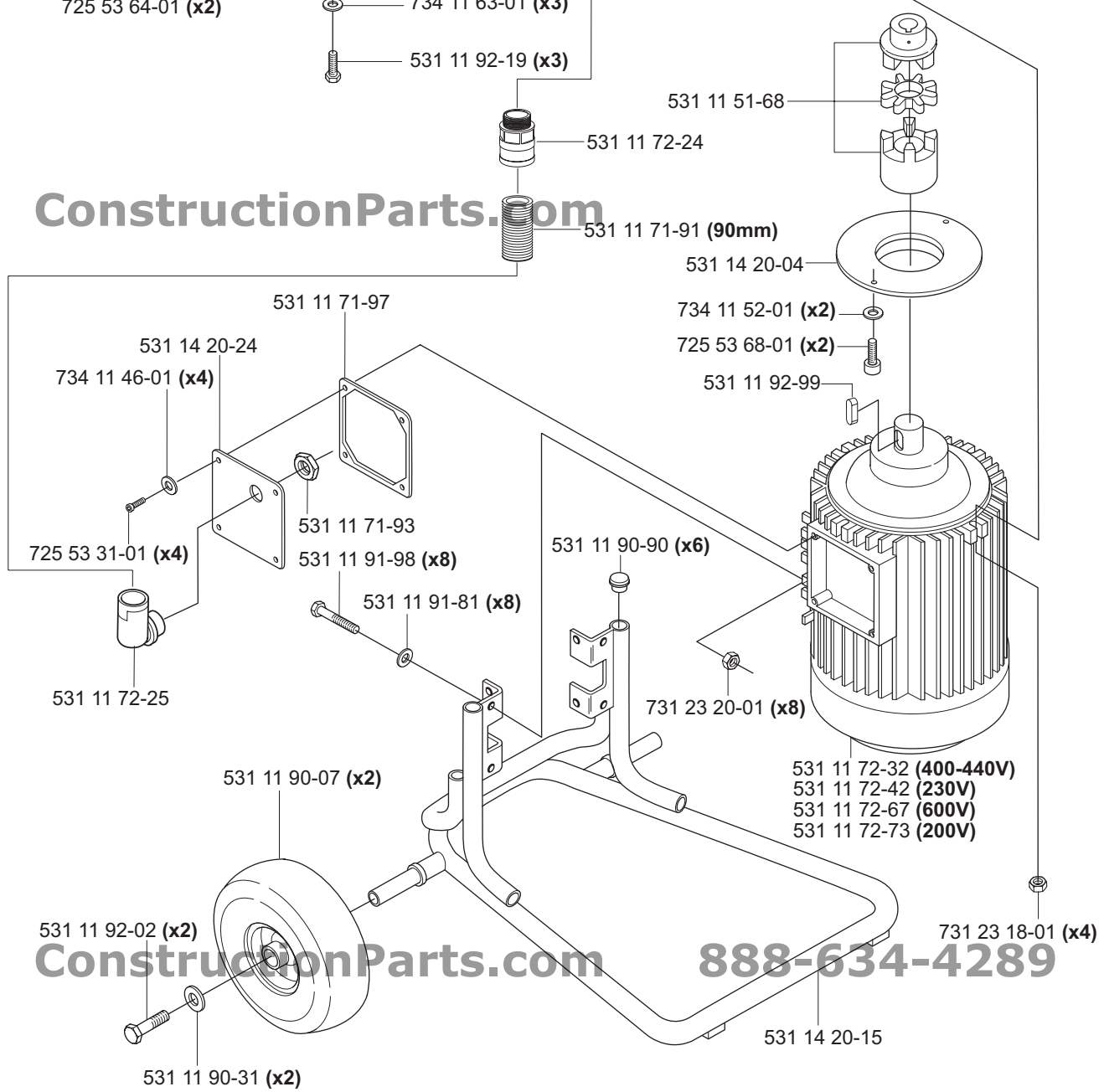
No.	Pos.	Description	No.	Pos.	Description
531 11 50-12	GG1	Can bus cable 6m	531 11 80-25	B	Cutting ring D15L
531 11 50-19	B	Coller cpl 25kW	531 11 80-41	C	Hydraulic coupling
531 11 50-20	C	Water valve	531 11 80-42	C	Hydraulic coupling
531 11 50-43	DE	Electric plate compl.	531 11 80-45	C	Hydraulic coupling
531 11 51-22	DE	Electric plate compl.	531 11 80-46	C	Hydraulic coupling
531 11 51-40	DE	Electric plate compl.	531 11 80-51	D	Level gauge
531 11 51-57	B	Pressure pipe compl.	531 11 80-56	B	Hydraulic coupling
531 11 51-63	DE	Electric plate compl.	531 11 80-68	B	Cutting nut M15L
531 11 51-68	A	Shaft coupling compl.	531 11 81-13	D	Magnetic plug
531 11 51-71	DE	Electric plate compl.	531 11 81-18	C	Nipple
531 11 51-83	GG1	Potentiometer knob compl.	531 11 81-19	F	Water coupling
531 11 70-34	GG1	Cannon connector	531 11 81-20	F	Water coupling
531 11 70-37	GG1	Display	531 11 81-21	F	Water coupling plastic
531 11 70-38	E	Double phase deq. sensor 400V	531 11 81-22	F	Pressure reducing valve
531 11 70-54	E	Auxiliary contact	531 11 81-23	F	Load retaining valve
531 11 70-55	E	Auxiliary contact	531 11 81-24	F	Directional valve
531 11 70-56	E	Main connectors 43A KIT	531 11 81-25	F	Flow valve
531 11 70-57	E	Main connectors 43A KIT	531 11 81-26	F	Flow valve
531 11 70-59	D	Electric inlet point 63A 380V	531 11 81-27	F	Pilot controlled differential valve
531 11 70-67	GG1	Connection block NO	531 11 81-28	F	Pilot controlled differential valve
531 11 70-68	E	Contacteur	531 11 81-30	F	Electromagnetic water valve
531 11 70-74	E	Motor overload protector	531 11 81-32	B	Hydraulic coupling
531 11 70-94	D	Emergency stop cpl	531 11 81-33	B	Hydraulic coupling
531 11 70-96	GG1	Potentiometer remote control	531 11 81-37	F	Transducer
531 11 70-97	C	Potentiometer knob	531 11 81-38	B	Banjo
531 11 71-00	E	Terminal block	531 11 81-40	B	Check valve
531 11 71-01	E	Terminal block	531 11 81-42	B	Filter insert
531 11 71-02	E	Relay 12V	531 11 81-76	D	Nut M26x1,5
531 11 71-32	D	Extension socket	531 11 81-88	B	Cutting nut M10L
531 11 71-40	D	Transformer	531 11 81-90	F	Hose
531 11 71-43	GG1	Push-button	531 11 82-19	C	Quick coupling
531 11 71-45	E	Varistor	531 11 82-20	C	Adapter
531 11 71-54	D	Socket 230V double	531 11 82-33	C	Pressure relief valve
531 11 71-59	GG1	Gasket	531 11 82-52	F	Regulator
531 11 71-68	E	Mechanical interlock	531 11 82-54	F	Pressure transducer filter
531 11 71-69	E	Socket	531 11 82-57	F	Pressure reducing valve SV08
531 11 71-73	E	End plate	531 11 82-81	B	Hydraulic pump (for 50Hz)
531 11 71-74	E	End support	531 11 82-83	B	Pump (for 60Hz)
531 11 71-84	E	Contacteur 200V	531 11 82-90	F	Water coupling steel
531 11 71-91	A	Flexible tube	531 11 90-07	A	Wheel
531 11 71-93	A	Nut nylon GMN-21	531 11 90-08	B	Ventilation hose
531 11 71-95	D	Tubular rivet	531 11 90-18	D	Spacer
531 11 71-96	D	Spring	531 11 90-30	B	Air filter
531 11 71-97	A	Sealing	531 11 90-31	A	Washer 13x36
531 11 72-08	D	Personal safety guard	531 11 90-90	A	Plastic plug
531 11 72-20	DE	Automatic fuse 4A	531 11 91-26	GG1	Strap
531 11 72-24	A	Cable grommet	531 11 91-27	E	Link
531 11 72-25	A	Cable grommet 90	531 11 91-31	B	Hose clamp
531 11 72-30	F	Main board	531 11 91-33	C	O-ring string 181x1,78
531 11 72-31	GG1	Control board	531 11 91-34	B	O-ring string 1130x6
531 11 72-32	A	Electric motor 400V	531 11 91-81	AB	Washer 10,5x22
531 11 72-40	GG1	Gasket	531 11 91-85	CD	Sealing ring 1/2"
531 11 72-42	A	Electric motor 230V	531 11 91-87	BD	Sealing ring M26
531 11 72-51	G1	Emergency stop cpl	531 11 91-98	A	Screw M6S 10x25
531 11 72-52	G1	Circuit breaker	531 11 92-02	A	Screw M6S 12x25
531 11 72-53	G1	Batterypack	531 11 92-19	A	Screw M6S 8x30
531 11 72-54	G1	Charger	531 11 92-24	A	Screw M6SF 8x20
531 11 72-64	E	Double phase deq. Sensor 600V	531 11 92-29	B	Screw M6SF 5x22
531 11 72-65	D	Electric inlet point 63A 600V	531 11 92-32	B	Screw MC6S 6x14
531 11 72-66	D	Extension socket 600V	531 11 92-33	C	Screw MC6S 6x160
531 11 72-67	A	Electric motor 600V	531 11 92-68	B	O-ring 22,3x2,4
531 11 72-68	C	Cannon connector (with cable)	531 11 92-74	C	O-ring 29,2x3
531 11 72-71	D	Cover	531 11 92-93	B	O-ring 80x1,6
531 11 72-73	A	Electric motor 200V	531 11 92-99	A	Wedge PK 10x8x30
531 11 72-75	D	Electric inlet point 63A 200V	531 11 93-41	BF	Plug VST1 R1/4"
531 11 72-84	E	Double phase deq. Sensor 200V	531 11 93-49	B	Sealing ring 44,45
531 11 72-85	D	Extension socket 200V	531 11 93-53	B	Screw MLC6S 6x12
531 11 80-03	C	Hydraulic coupling	531 11 93-54	B	O-ring 63x2
531 11 80-05	C	Nipple	531 11 93-85	FG1	Spacer mainboard
531 11 80-23	B	Cutting ring D10L	531 14 10-86	C	Plug

No.	Pos.	Description	No.	Pos.	Description
531 14 11-22	D	Hinge	725 53 70-01	B	Screw MC6S 6x20
531 14 11-50	D	Gasket	725 53 78-01	B	Screw MC6S 6x40
531 14 11-67	B	Ventilation hose nipple	725 54 93-01	B	Screw MC6S 10x25
531 14 11-68	B	Ventilation nipple	725 63 66-51	CD	Screw MF6S 6x12
531 14 11-91	H	Electric data label	725 63 68-51	D	Screw MF6S 6x16 10.9
531 14 12-05	H	Sign flash	731 23 10-01	GG1	Nut M3
531 14 12-11	H	Sign drain cooler	731 23 16-01	CD	Nut M6
531 14 12-34	H	Warning sign	731 23 18-01	A	Nut M8
531 14 20-02	F	Main block	731 23 20-01	A	Nut M10
531 14 20-03	A	Head	732 25 12-01	D	Nut M4
531 14 20-04	A	Bearing cover	734 11 46-01	ACDE	Washer 5,3x10x1
531 14 20-05	D	Cover	734 11 52-01	ACD	Washer 6,4x12
531 14 20-06	C	Cover	734 11 63-01	A	Washer 8,4x16
531 14 20-07	B	Tank cover	740 38 08-01	BC	Sealing ring M6
531 14 20-08	A	Handle	740 38 18-01	CDF	Sealing ring 1/8
531 14 20-09	B	Filter bracket	740 38 27-01	CF	Sealing ring 1/4
531 14 20-10	B	Screw attachment	740 38 34-01	B	Sealing ring 3/8
531 14 20-11	GG1	Control plate	740 42 11-00	B	O-ring 13,1x1,6
531 14 20-13	GG1	Potentiometer nut	740 42 14-00	C	O-ring 16,1x1,6
531 14 20-15	A	Carriage	740 42 17-00	GG1	O-ring 19,1x1,6
531 14 20-18	B	Pressure block	740 43 13-00	B	O-ring 15,3x2,4
531 14 20-19	B	Suction block	740 44 04-00	BC	O-ring 19,2x3
531 14 20-20	B	Pressure block	740 44 12-00	C	O-ring 39,2x3
531 14 20-21	B	Cooler connection			
531 14 20-23	D	Cable tubing			
531 14 20-24	A	Control board cover			
531 14 20-25	C	Nipple			
531 14 20-26	C	Nipple			
531 14 20-27	F	Electronic box cover			
531 14 20-28	D	Fuse holder			
531 14 20-29	E	Electric plate compl			
531 14 20-32	B	Filter housing			
531 14 20-41	B	Ventilation block			
531 14 20-43	B	Suction pipe			
531 14 20-45	B	Pressure pipe			
531 14 20-47	B	Splash plate			
531 14 20-49	F	Waterpipe			
531 14 20-51	GG1	Display label			
531 14 20-52	B	Oil filter cap			
531 14 20-53	B	Oil armatures			
531 14 20-54	A	Support washer			
531 14 20-55	D	Transformer bracket			
531 14 20-56	H	Dimas label			
531 14 20-62	GG1	Remote box			
531 14 20-71	H	Sound label			
531 14 20-77	F	Hose pressure transducer filter			
531 14 20-79	F	Hose pressure transducer			
531 14 20-80	D	Transformer module			
531 14 20-82	A	Gauge bracket			
531 14 20-84	F	Watertube			
531 14 20-86	H	Warningsign Radio			
531 14 20-88	FG1	Radioboard			
531 14 20-90	G1	Antenna			
531 14 20-92	G1	Chargercable			
531 14 21-10	B	Filter hose			
722 78 25-03	D	Blind rivet 3,2x10 Al/Al			
723 12 20-01	DF	Screw MCS 3x6			
723 12 24-01	CGG1	Screw MCS 3x10			
723 12 87-01	C	Screw MCS 4x8			
723 12 91-01	D	Screw MCS 4x12			
723 13 25-01	B	Screw MCS 5x10			
723 13 28-01	E	Screw MCS 5x14			
723 13 31-01	D	Screw MCS 5x20			
723 52 22-01	D	Screw MFS 3x8			
723 52 28-01	GG1	Screw MFS 3x16			
723 52 89-01	F	Screw MFS 4x10			
723 52 92-01	D	Screw MFS 4x14			
725 53 31-01	A	Screw MC6S 5x20			
725 53 64-01	A	Screw MC6S 6x10			
725 53 68-01	ACD	Screw MC6S 6x16			

A



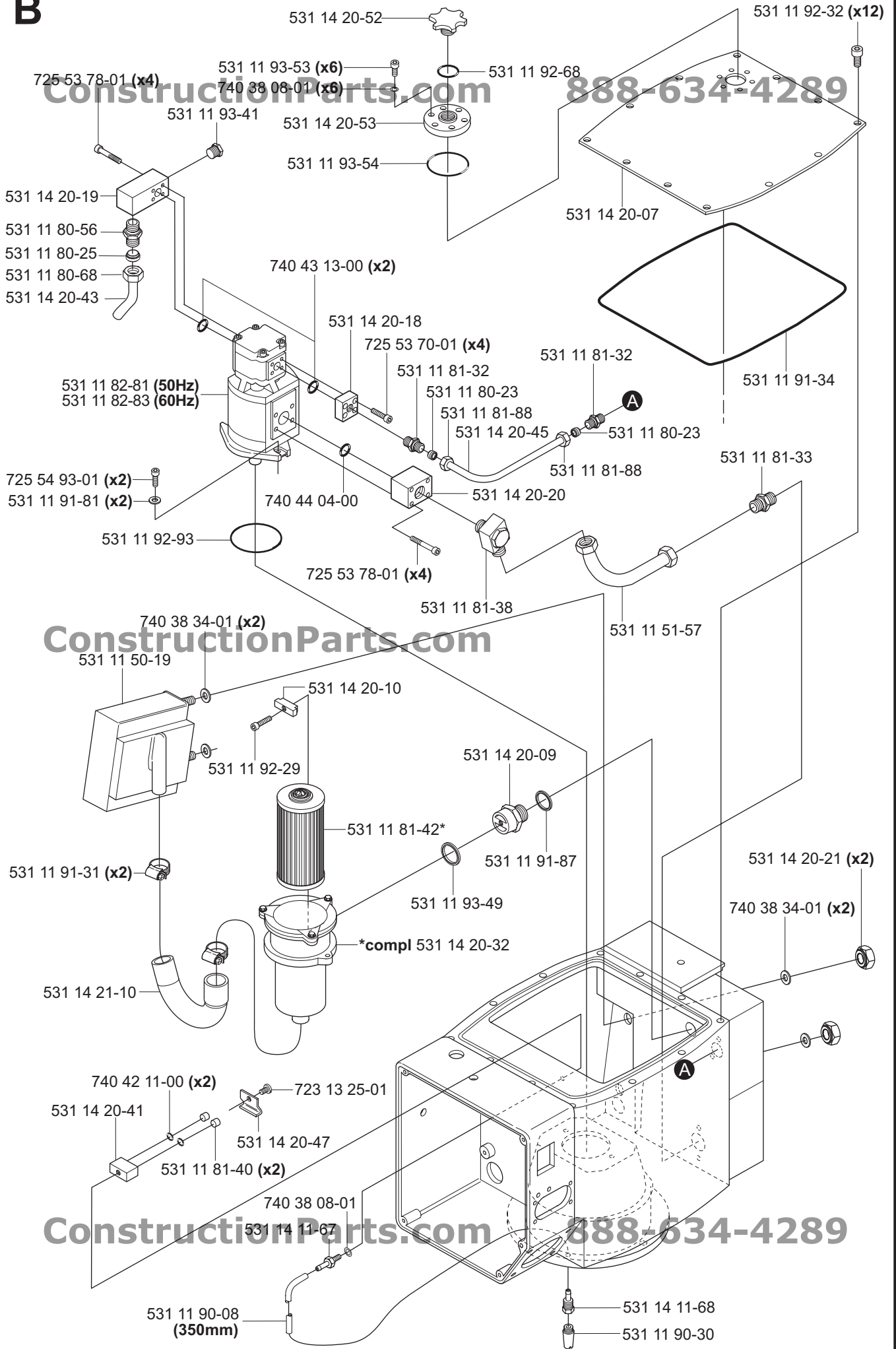
ConstructionParts.com



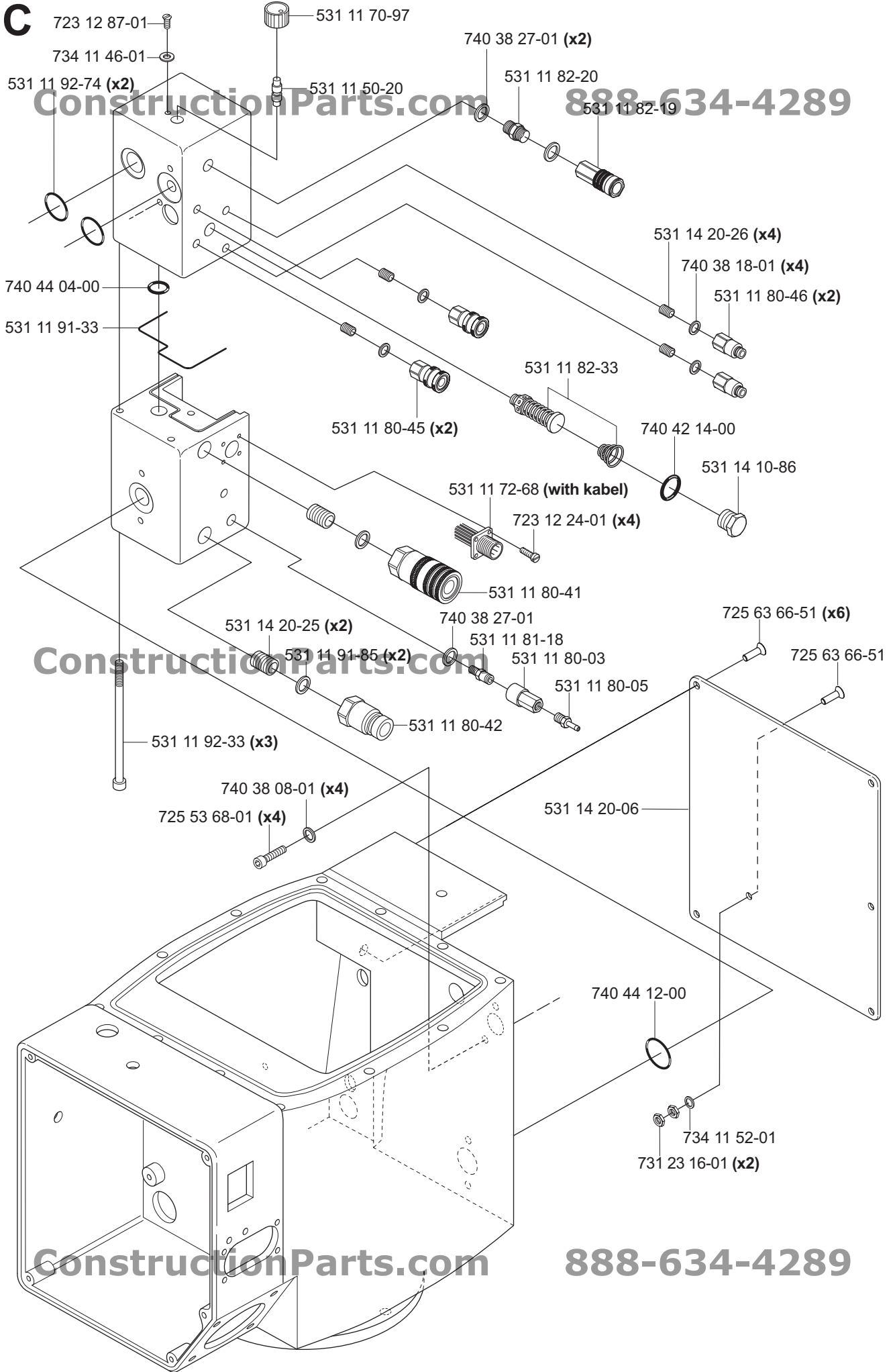
ConstructionParts.com

888-634-4289

B



C



ConstructionParts.com

888-634-4289

ConstructionParts.com

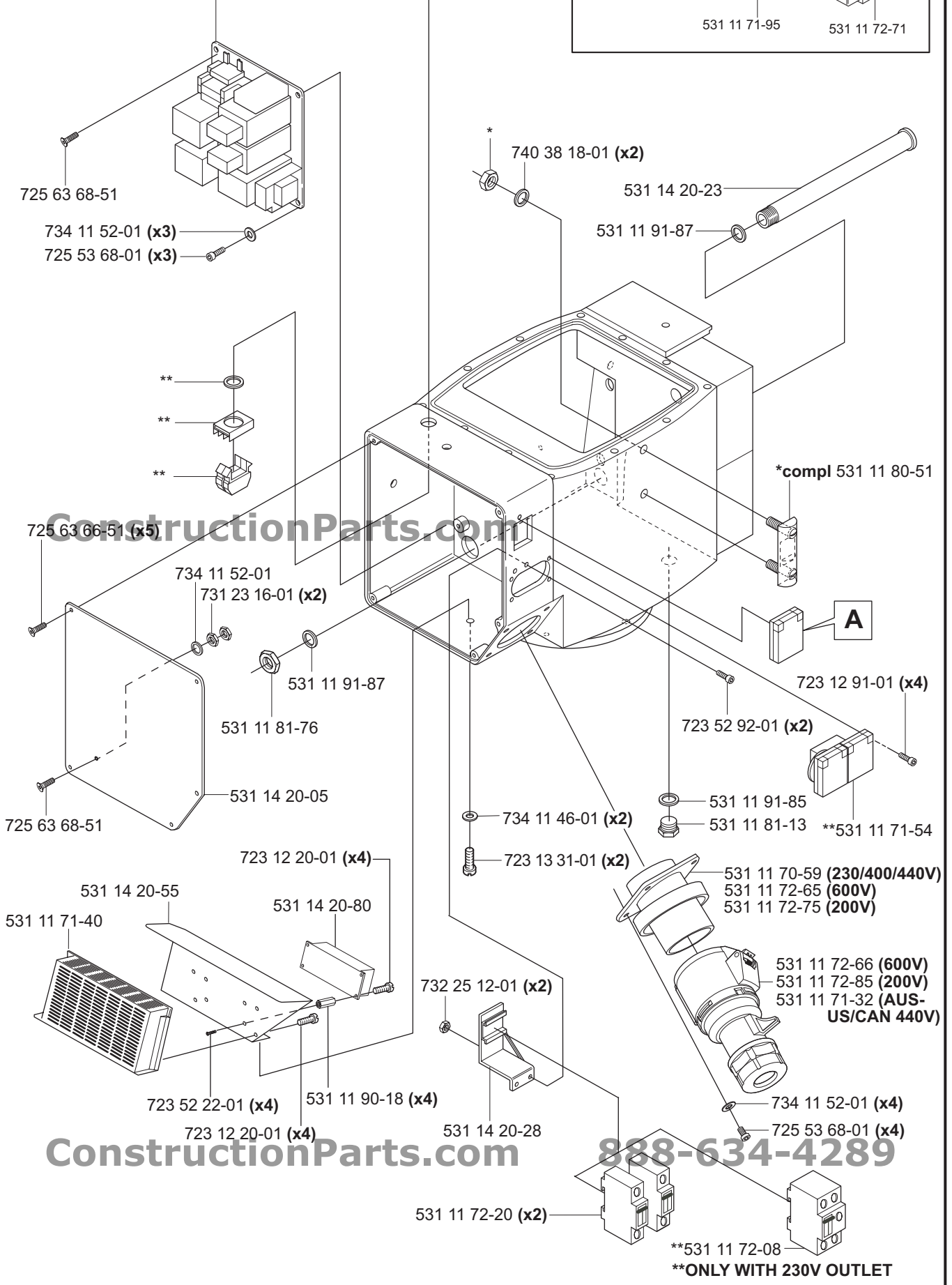
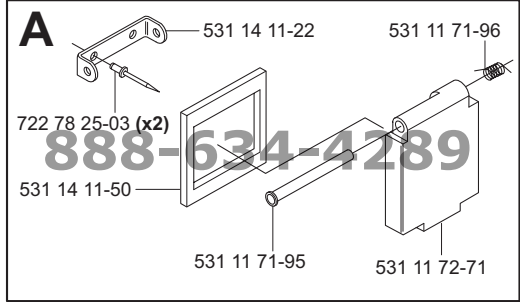
ConstructionParts.com

888-634-4289

D

**compl 531 11 70-94

- compl 531 11 50-43 (EUR 400V)
- compl 531 11 51-40 (ENG 400V/US 440V)
- compl 531 11 51-63 (CAN 600V)
- compl 531 11 51-22 (NOR 230V/400V)
- compl 531 11 51-71 (JAP 200V)



ConstructionParts.com

888-634-4289

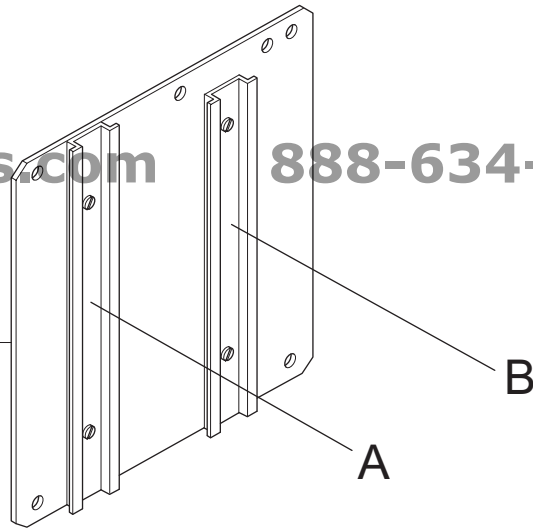
E

- compl 531 11 50-43 (EUR 400V)
- compl 531 11 51-40 (ENG 400V/US 440V)
- compl 531 11 51-63 (CAN 600V)
- compl 531 11 51-22 (NOR 230V/400V)
- compl 531 11 51-71 (JAP 200V)

ConstructionParts.com

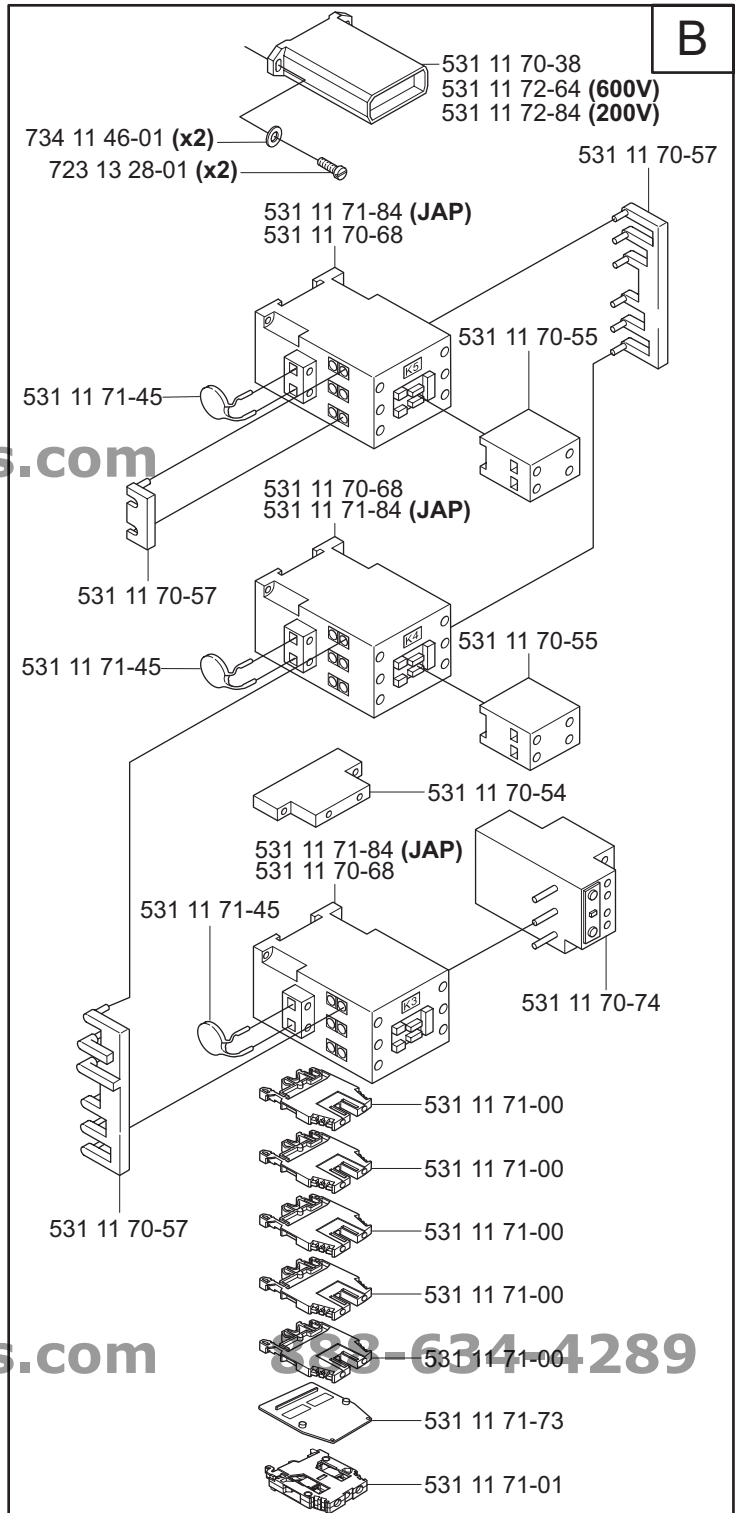
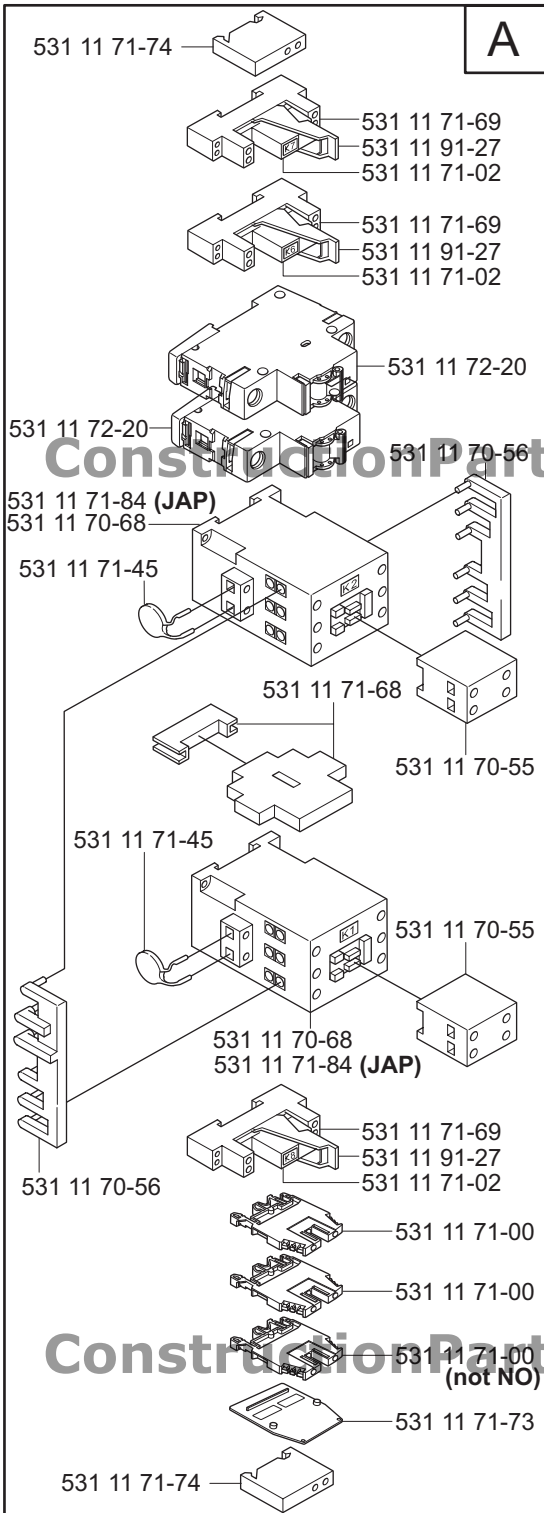
888-634-4289

531 14 20-29



A

B



ConstructionParts.com

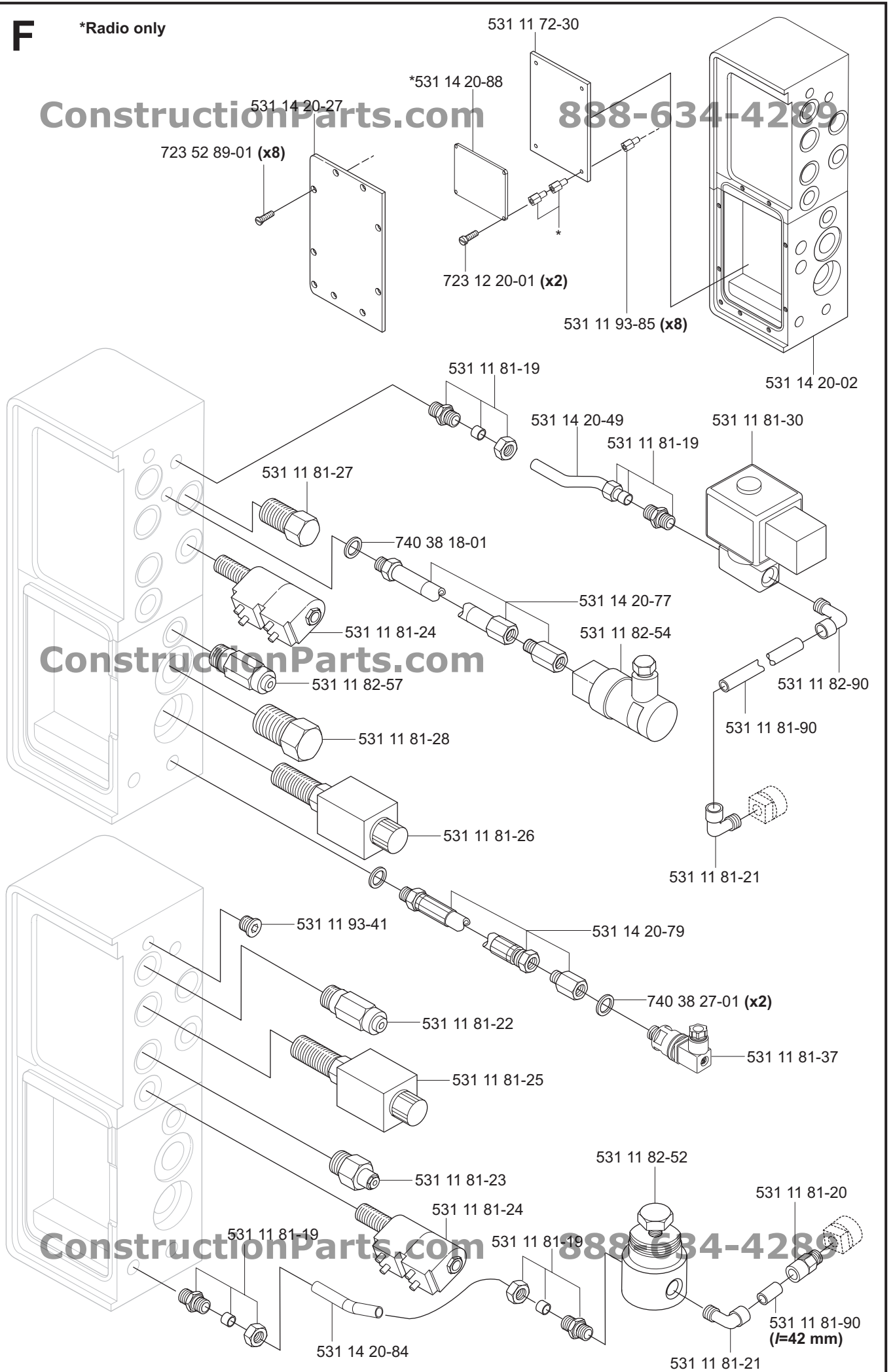
888-634-4289

F

*Radio only

ConstructionParts.com

888-634-4289



ConstructionParts.com

ConstructionParts.com

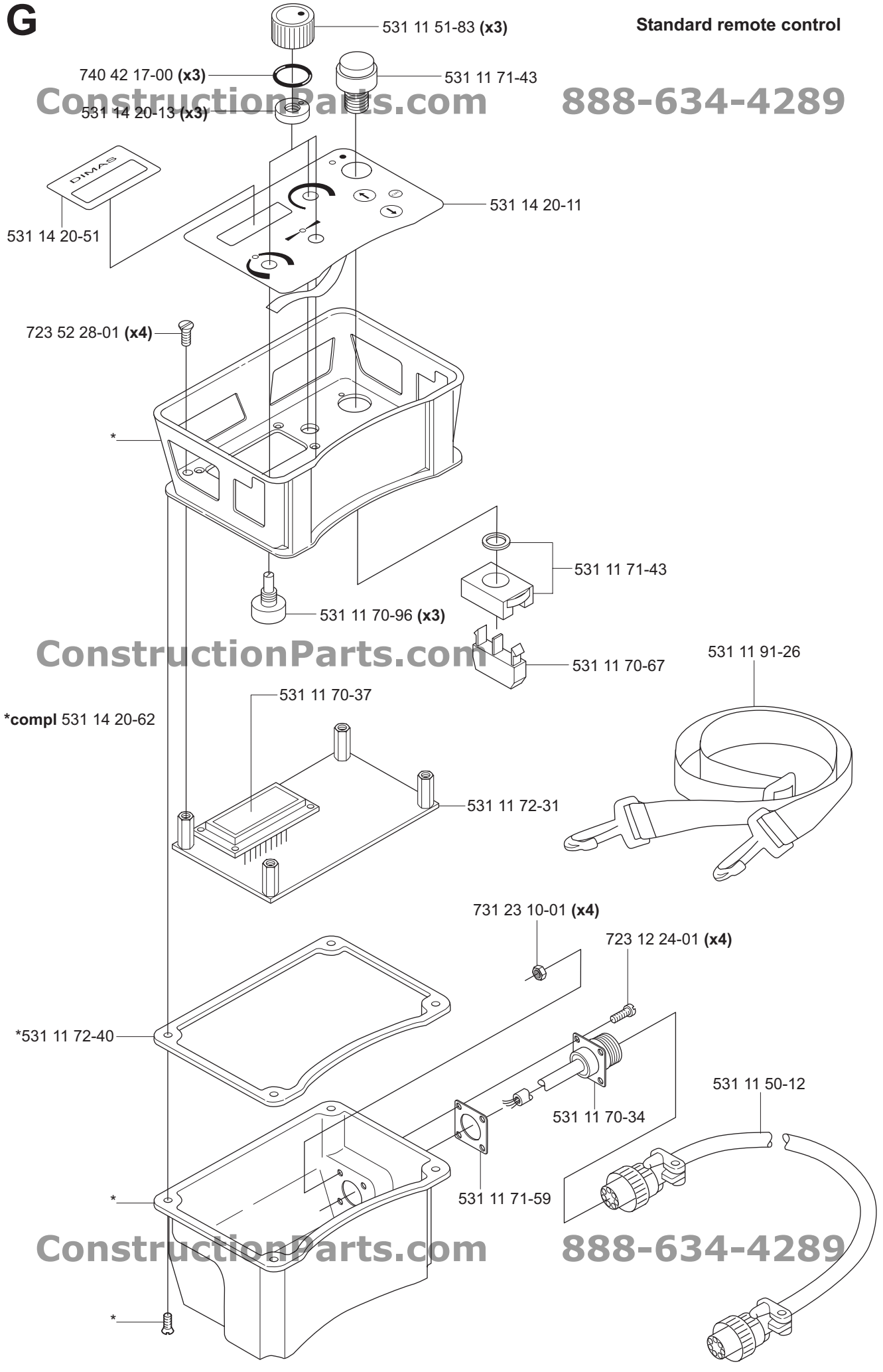
888-634-4289

G

Standard remote control

ConstructionParts.com

888-634-4289

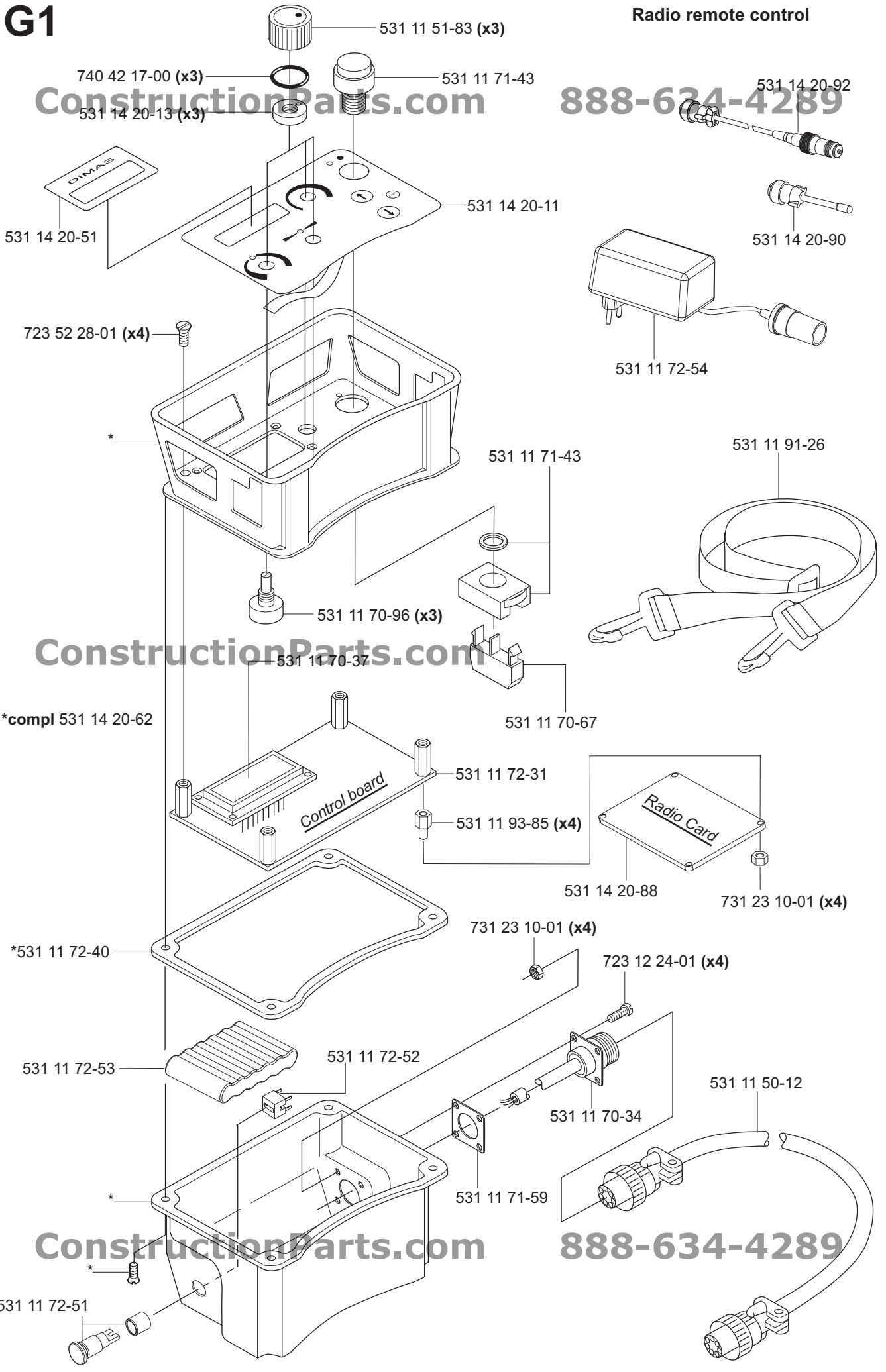


G1

Radio remote control

ConstructionParts.com

888-634-4289



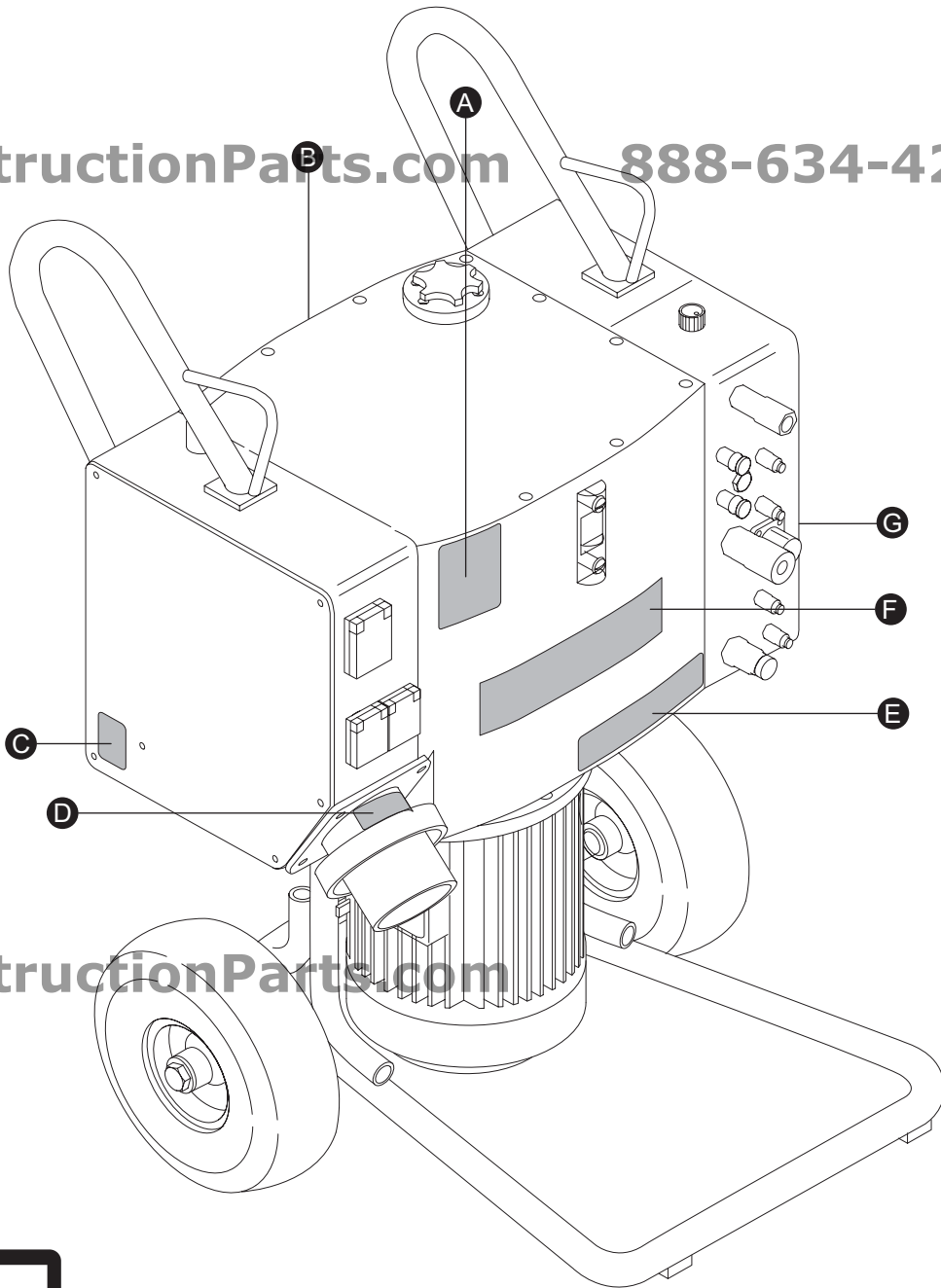
ConstructionParts.com

888-634-4289

H

ConstructionParts.com

888-634-4289



ConstructionParts.com



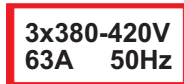
531 14 20-71 **A**



531 14 12-05 (x2) **C**

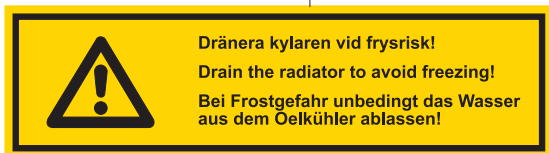


531 14 12-34 **B**



531 14 11-91 **D**

531 14 12-11 **E**



531 14 20-56 **F**

888-634-4289

531 14 20-86 **G**