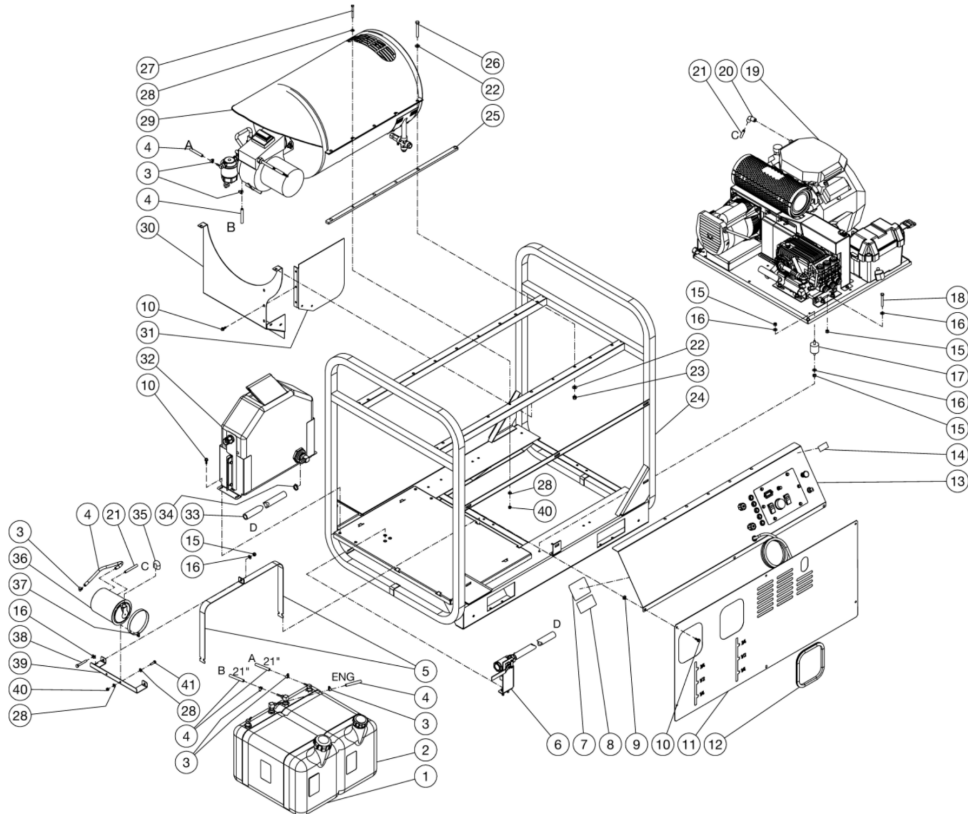




HDS-3005-0V6A / HDS-3005-0V6A (sn:0-99999999)

UNIT ASSY



Id	Item #	Description	Quantity
1	N/A	GAS TANK ASSEMBLY	1
1	N/A	DIESEL FUEL TANK ASSY	1
2	N/A	BURNER FUEL TANK ASSEMBLY	1
3	42-0004	CLAMP WORM (GASOLINE MODELS)	7
3	42-0004	CLAMP WORM (DIESEL MODELS)	8
4	15-0008	FUEL HOSE *(ELEVEN FEET REQUIRED)	1
5	20-0585A18	TANK STRAP	4
6	N/A	BALL VALVE ASSEMBLY	1
7	N/A	DECAL - DATA PLATE	1
8	N/A	DECAL- SILVER STICKER	1
9	30-6027	CLIP NUT	6
10	27-1200	BOLT (3008 GASOLINE MODELS)	15

Id	Item #	Description	Quantity
10	27-1200	BOLT	10
11	21-0146	FRONT COVER PANEL	1
12	33-0020	EDGING *(FIVE FEET REQUIRED)	1
13	N/A	CONTROL PANEL ASSEMBLY (GASOLINE MODELS)	1
13	N/A	KUBOTA CONTROL PANEL ASSY (DIESEL MODELS)	1
14	34-3553	DECAL - MADE IN USA	1
15	30-0157	LOCKNUT	20
16	28-0003	WASHER	22
17	14-0110	ISOLATOR	8
18	27-0073	BOLT	2
19	N/A	ISOLATION PLATE ASSEMBLY (GASOLINE MODELS)	1
19	N/A	KUBOTA ISO PLATE (DIESEL MODELS)	1
20	62-0229	AIR CLEANER ADAPTER (HONDA MODELS)	1
21	15-0261	FUEL HOSE *(SEVEN FEET REQUIRED) (GASOLINE MODELS)	1
22	28-0004	WASHER	12
23	30-0159	LOCKNUT	6
24	5-0275A18	FRAME (GASOLINE MIDELS)	1
24	N/A	KUBOTA SKID FRAME ASSY (DIESEL MODELS)	1
25	20-0939A18	SHIM (3008 DIESEL MODELS)	2
26	27-0576	BOLT	6
27	27-0022	BOLT	4
28	28-0002	WASHER (GASOLINE MODELS)	12
28	28-0002	WASHER (DIESEL MODELS)	8
29	N/A	HEAT EXCHANGER ASSEMBLY (3005, 3006, 3505, 3506)	1
29	N/A	HDS 4005 HEAT EXCHANGER ASSY (4005)	1
29	N/A	HDS 3008 HEAT EXCHANGER ASSY (3008)	1
30	20-1098A18	HEAT SHIELD (3008 GASOLINE MODELS)	1
31	20-1099A18	HEAT SHIELD SIDE (3008 GASOLINE MODELS)	1
32	N/A	FLOAT TANK ASSEMBLY	1
33	15-0033	HOSE *(FOUR FEET REQUIRED)	1
34	42-0003	HOSE CLAMP	1
35	62-0218	BREATHER VENT COVER (GASOLINE MODELS)	1
36	62-0212	CARB CANISTER (GASOLINE MODELS)	1
37	20-1187A01	CARB CANISTER STRAP (GASOLINE MODELS)	2
38	27-0072	BOLT (GASOLINE MODELS)	2
39	20-1197A18	CARB CANISTER MOUNT (GASOLINE MODELS)	1
40	30-0155	LOCKNUT (GASOLINE MODELS)	6
40	30-0155	LOCKNUT (DIESEL MODELS)	4
41	27-0016	BOLT (GASOLINE MODELS)	2

Id **Item #**

Description

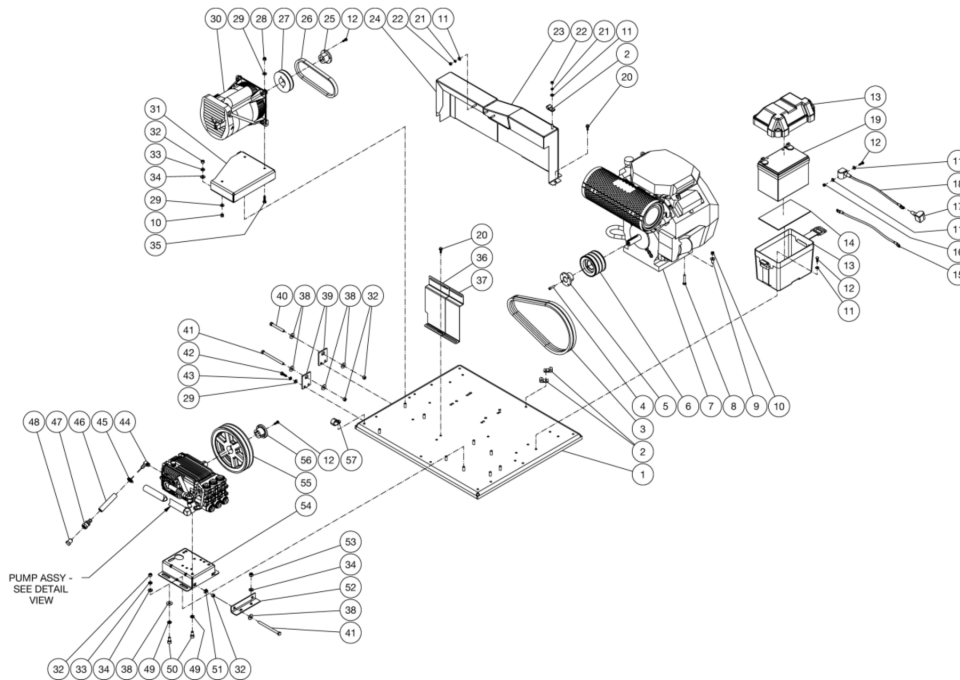
Quantity

*MUST ORDER IN ONE FOOT LENGTHS



HDS-3005-0V6A / HDS-3005-0V6A (sn:0-99999999)

ISOLATION PLATE



Id	Item #	Description	Quantity
1	5-0170A18	ISOLATION PLATE	1
2	43-0003	CLIP	3
3	11-0052	BELT (3005/3008/3505/4005)	2
3	11-0050	BELT (3506)	2
4	27-0850	BOLT	2
5	9-0005	BUSHING (3005-0V6G/3505-1H6G/3505-0V6A_G/3506-1H6G/4005-2H6G)	1
5	9-0007	BUSHING (3008-0K6G/3505-0K6A_G/3506-0K6A_G/40005-0K6A/4005-1K6G)	1
5	9-0010	BUSHING (3005-0K6G/3008-1H6G)	1
6	10-0011	SHEAVE (3008)	1
6	10-0061	SHEAVE (3005/505/3506/4005)	1
7	850-0293	ENGINE (3008-0K6G/3506-0K6A_G/4005-0K6A/4005-1K6G)	1
7	850-0294	ENGINE (3005-0V6G)	1
7	850-0295	ENGINE (3505-0V6A_G)	1
7	850-0332	ENGINE (3005-0K6G)	1

Id	Item #	Description	Quantity
7	850-0333	ENGINE (3505-0K6A_G)	1
7	850-0393	ENGINE (3505-1H6H/3506-1H6G/4005-2H6G)	1
7	850-0394	ENGINE (3008-1H6G)	1
8	27-0070	BOLT (HONDA/ VANGUARD ENGINES)	4
8	27-0120	BOLT (KOHLER ENGINE)	4
9	33-0169	SHIM (HONDA ENGINE)	4
9	28-0003	WASHER (VANGUARD ENGINE)	4
9	28-0004	WASHER (KOHLER ENGINE)	4
10	30-0157	LOCKNUT (HONDA/ VANGUARD UNITS)	4
10	30-0159	NUT (KOHLER UNITS)	4
11	28-0002	WASHER	10
12	27-0015	BOLT	9
13	33-0092	BATTERY BOX	1
14	33-0509	RUBBER PAD	1
15	32-9113	CABLE	1
16	30-0155	LOCKNUT	1
17	33-0004	BATTERY CABLE COVER	1
18	32-9114	CABLE	1
19	N/A	BATTERY (NOT SHIPPED WITH UNIT)	1
20	27-1200	BOLT	6
21	29-0006	LOCKWASHER	4
22	30-0002	NUT	4
23	6-0092A18	PUMP BELTGUARD	1
24	6-0091A18	GENERATOR BELTGUARD	1
25	9-0033	BUSHING	1
26	11-0048	ALT BELT (3005/3505/3506/4005)	1
26	11-0074	ALT BELT (3008)	1
27	10-0028	SHEAVE (3005/3505/3506/4005)	1
27	10-0039	SHEAVE (3008)	1
28	30-0157	LOCKNUT	3
29	28-0003	WASHER	7
30	850-0352	ALTERNATOR	1
31	20-0583A18	ALTERNATOR HAT	1
32	30-0006	NUT	11
33	29-0008	LOCKWASHER	7
34	28-0004	WASHER	9
35	27-0068	BOLT	3
36	20-1642A18	BRACKET	1

Id	Item #	Description	Quantity
37	20-0589A18	BELTGUARD COVER	1
38	28-0023	WASHER	7
39	20-0587A18	TENSION BRACKET	2
40	27-0576	BOLT	1
41	27-0133	BOLT	3
42	27-0067	BOLT	4
43	29-0007	LOCKWASHER	4
44	23-0119	ELBOW	1
45	42-0011	HOSE CLAMP	1
46	15-0305	HOSE *(TWO FEET REQUIRED)	1
47	23-0360	HOSE BARB	1
48	23-0411	PLUG	1
49	29-0055	LOCKWASHER (A/R MODELS)	4
49	29-0054	LOCKWASHER (GENERAL MODELS)	4
50	27-8471	BOLT (A/R MODELS)	4
50	27-8884	BOLT (GENERAL MODELS)	4
51	30-6025	CLIP NUT	2
52	20-0584A18	TENSION BRACKET	1
53	30-0159	LOCKNUT	2
54	5-0153A18	PUMP HAT	1
55	10-0012	SHEAVE (3506)	1
55	10-0037	SHEAVE (3005/3008/3505/4005)	1
56	9-0017	BUSHING	1

*MUST ORDER IN ONE FOOT LENGTHS

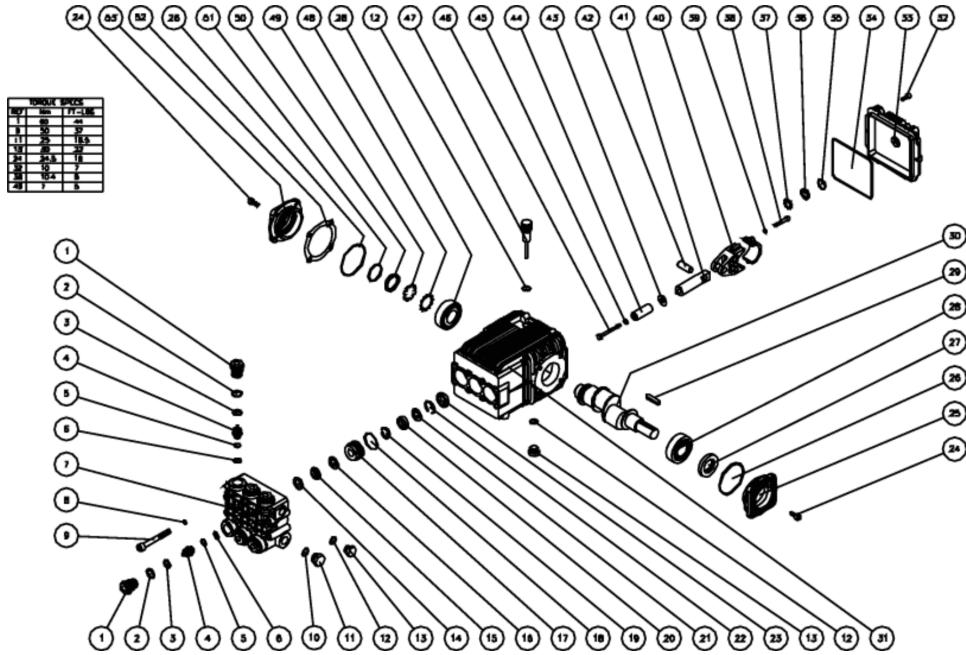
Id	Item #	Description	Quantity
9	23-0360	HOSE BARB	1
10	23-0411	PLUG	1
11	28-0002	WASHER	1
12	29-0006	LOCKWASHER	1
13	27-0015	SCREW	1
14	850-0299	KEY SWITCH ASSEMBLY	1
15	43-0078	KEY	1
16	N/A SEP.	BOLT (SEE 45-0073)	2
17	N/A SEP.	MUFFLER SUPPORT (SEE 45-0073)	1
18	N/A Sep.	MUFFLER GUARD SUPPORT (SEE 45-0077)	1
19	N/A SEP.	NUT (SEE 45-0073)	4
20	45-0073	CANISTER MUFFLER	1
21	45-0077	MUFFLER GUARD	1
22	N/A SEP.	BOLT (SEE 45-0077)	2
23	N/A SEP.	BOLT (SEE 45-0077)	2
24	N/A SEP.	GASKET (SEE 45-0073)	2
25	N/A SEP.	BOLT (SEE 45-0073)	2
26	42-0004	CLAMP WORM	2
27	15-0008	HOSE *(THREE FEET REQUIRED)	1

*MUST ORDER IN ONE FOOT LENGTHS



HDS-3005-0V6A / HDS-3005-0V6A (sn:0-99999999)

PUMP ASSY



Id	Item #	Description	Quantity
1	39-0201	VALVE CAP	6
2	25-0509	BACK-UP RING	6
3	25-0386	O-RING	6
4	N/A Sep.	VALVE W/O-RING (SEE 70-0314)	6
5	25-0516	BACK-UP RING	6
6	25-0515	O-RING	6
7	46-0900	MANIFOLD PUMP	1
8	29-0155	LOCKWASHER	8
9	27-8470	SCREW	8
10	25-0372	O-RING	1
11	39-0202	PLUG	1
12	25-0510	O-RING	3
13	39-0203	PLUG	2
14	N/A Sep.	SUPPORT RING (SEE 70-0317)	3
15	N/A Sep.	HIGH PRESSURE SEAL (SEE 70-0317)	3
16	N/A Sep.	LOW PRESSURE SEAL (SEE 70-0317)	3

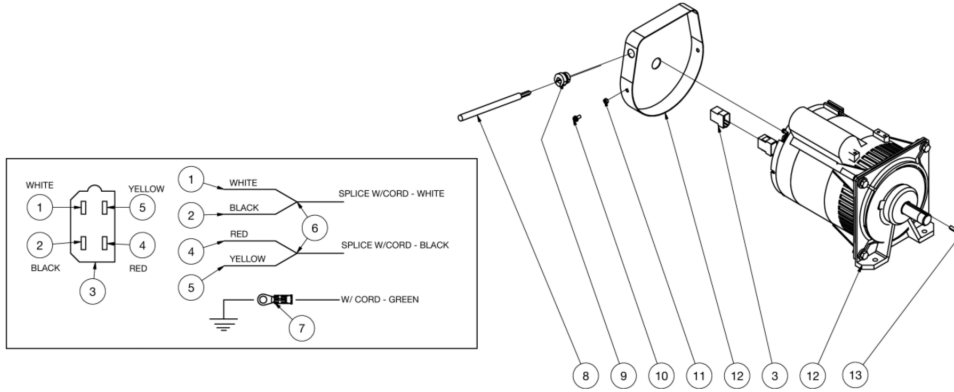
Id	Item #	Description	Quantity
17	46-0904	PISTON GUIDE	3
18	N/A Sep.	O-RING (SEE 70-0317)	3
19	N/A Sep.	BACK-UP RING (SEE 70-0317)	3
20	N/A Sep.	LOW PRESSURE SEAL (SEE 70-0317)	3
21	46-0907	SPACER	3
22	46-0908	SNAP-RING	3
23	26-0242	OIL SEAL	3
24	27-8884	SCREW	8
25	N/A	SHAFT COVER	1
26	25-0512	O-RING	2
27	26-0243	OIL SEAL	1
28	48-0073	BEARING	2
29	43-0091	KEY	1
30	N/A	CRANKSHAFT (PUMP 2-0212)	1
30	N/A	CRANKSHAFT (PUMP 3-0213)	1
31	46-0911	CRANKCASE	1
32	27-8888	SCREW	6
33	46-0912	CRANKCASE COVER (INC. 35-37)	1
34	25-0513	O-RING	1
35	25-0370	O-RING	1
36	46-0670	OIL SIGHT GLASS	1
37	46-0671	SPRING RETAINER	1
38	N/A	SCREW	6
39	N/A	LOCKWASHER	6
40	46-0913	CONNECTING ROD	3
41	46-0915	PLUNGER ROD	3
42	46-0914	CONNECTING ROD PIN	3
43	46-0916	SLINGER WASHER	3
44	46-0917	PISTON	3
45	28-1041	WASHER	3
46	27-8965	SCREW	3
47	39-0204	OIL DIPSTICK	1
48	46-0924	SPRING RETAINER	1
49	46-0925	REFLECTOR PUMP	1
50	46-0926	OIL SIGHT	1
51	25-0514	O-RING	1
52	46-0947	SHIM	1
53	46-0918	SUPPORT BEARING COVER (INC. 48-51)	1
KIT	70-0314	VALVE KIT KIT (INC. 6 EACH 4-6)	1

Id	Item #	Description	Quantity
KIT	70-0317	WATER SEALS KIT (INC. 3 EACH 14-16, 18-20)	1



HDS-3005-0V6A / HDS-3005-0V6A (sn:0-99999999)

GENERATOR



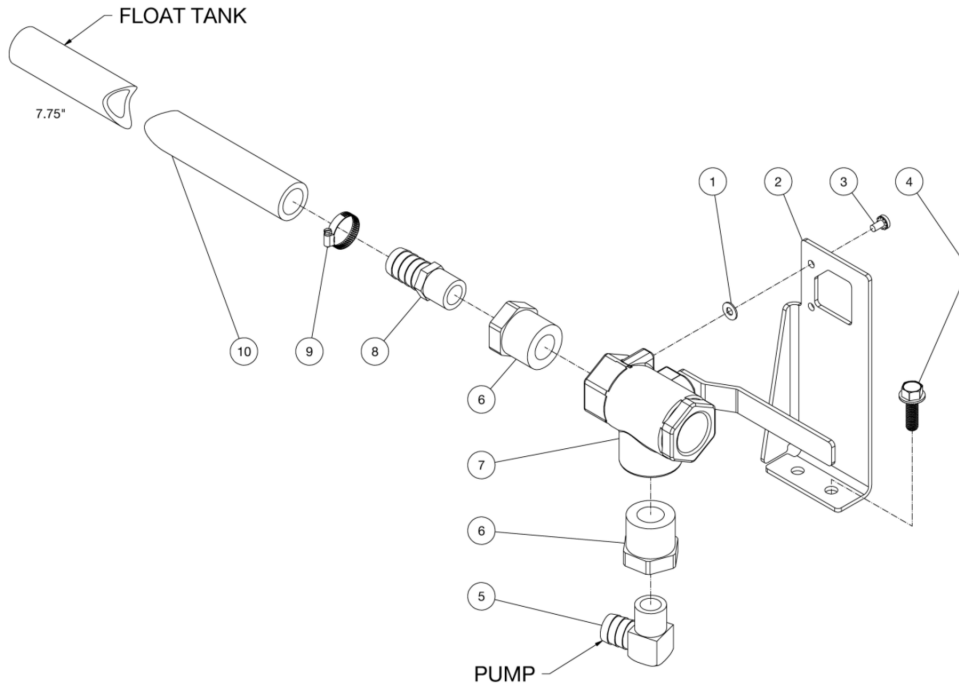
Id	Item #	Description	Quantity
1	32-0452	WIRE - WHITE	1
2	32-0091	WIRE - BLACK	1
3	N/A	CONNECTOR	1
4	32-0178	WIRE - RED	1
5	32-0853	WIRE - YELLOW	1
6	32-0417	CRIMP	1
7	32-0099	TERMINAL RING	1
8	32-0440	CORD	1
9	9-0045	BUSHING	1
10	27-9593	SCREW	2
11	30-6001	NUT	1
12	32-0895	ALTERNATOR	1
13	43-0085	KEY	1

*MUST ORDER IN ONE FOOT LENGTHS



HDS-3005-0V6A / HDS-3005-0V6A (sn:0-99999999)

BALL VALVE ASSY



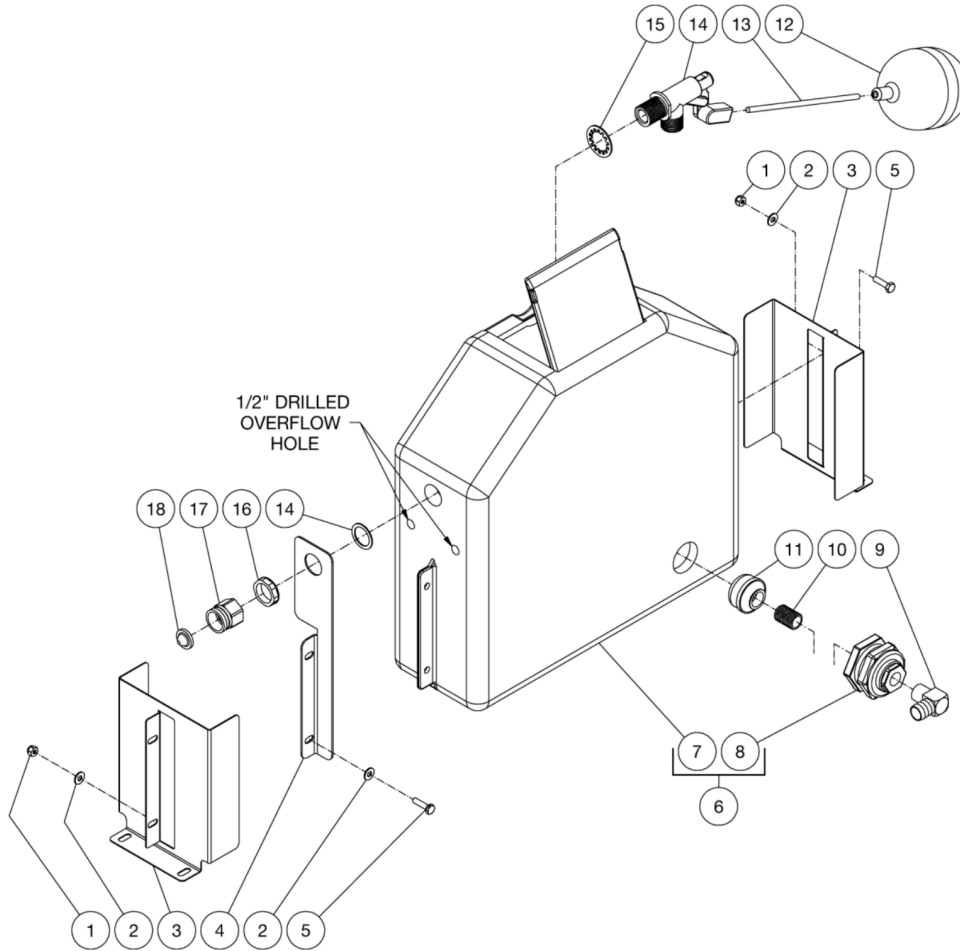
Id	Item #	Description	Quantity
1	28-0001	WASHER	2
2	20-0560A18	BRACKET	1
3	27-9533	SCREW	2
4	27-1201	BOLT	2
5	23-0037	ELBOW	1
6	23-0226	REDUCER	2
7	22-0321	BALL VALVE	1
8	23-0036	HOSE BARB	1
9	42-0003	HOSE CLAMP	1
10	15-0033	HOSE *(ONE FOOT REQUIRED)	1

*MUST ORDER IN ONE FOOT LENGTHS



HDS-3005-0V6A / HDS-3005-0V6A (sn:0-99999999)

FLOAT TANK ASSY



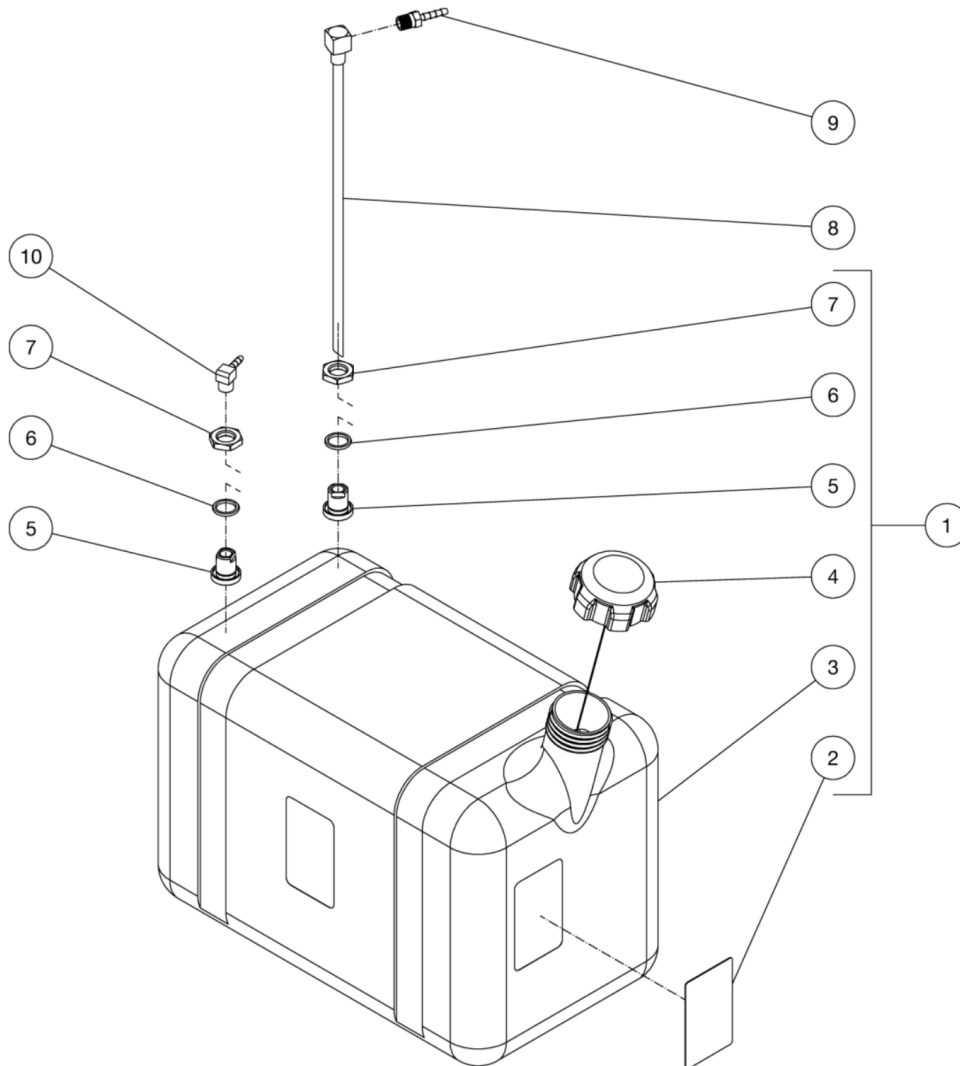
Id	Item #	Description	Quantity
1	30-0155	LOCKNUT	4
2	28-0002	WASHER	6
3	20-0586A18	BRACKET / FLOAT TANK	2
4	20-0912A18	BRACKET	1
5	27-0016	BOLT	4
6	850-0322	FLOAT TANK ASSEMBLY (INC. 7-8)	1
7	N/A	FLOAT TANK	1
8	N/A	BULKHEAD (INC. 25-0506 GASKET)	1
9	23-0037	ELBOW	1
10	23-0019	NIPPLE	1

Id	Item #	Description	Quantity
11	19-0203	STRAINER	1
12	22-0059	FLOAT	1
13	31-3320	BALL FLOAT STUD	1
14	22-0317	FLOAT VALVE	1
15	29-0074	LOCKWASHER	1
16	23-0428	LOCKNUT	1
17	23-0021	GARDEN HOSE INLET	1
18	19-0001	FILTER	1



HDS-3005-0V6A / HDS-3005-0V6A (sn:0-99999999)

GAS TANK ASSY



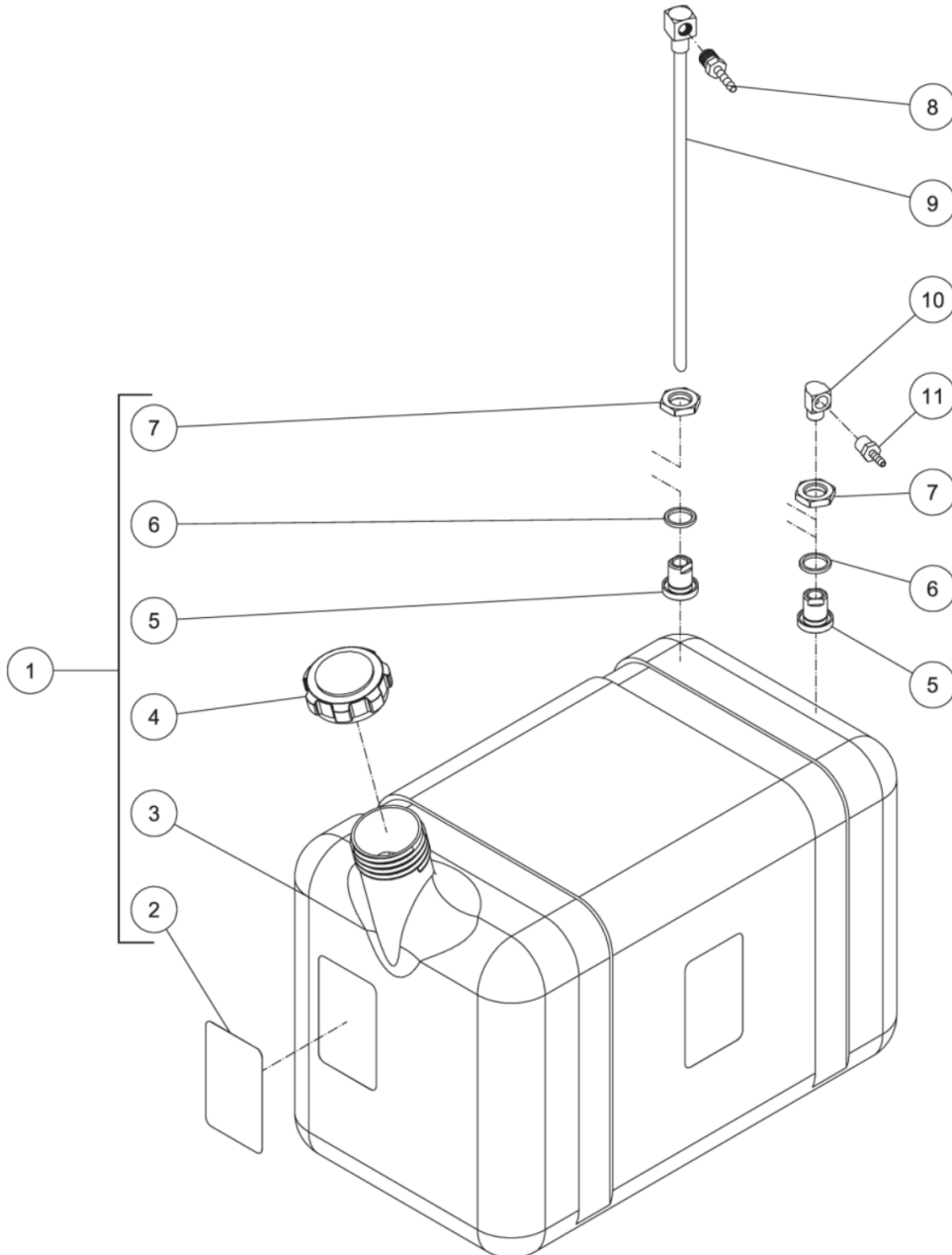
Id	Item #	Description	Quantity
1	850-0306	GAS TANK ASSY (INC 2-7)	1
2	N/A	DECAL- CAUTION: GASOLINE ONLY (SEE 71-0034)	1
3	N/A	FUEL TANK - RED	1
4	12-0220	FUEL CAP - SEALED/TETHERED	1
5	23-0408	BULKHEAD FITTING	2
6	25-0427	O-RING	2
7	23-0409	NUT	2
8	33-0352	FUEL PICK-UP	1

Id	Item #	Description	Quantity
9	23-0051	BARB	1
10	23-0054	ELBOW	1



HDS-3005-0V6A / HDS-3005-0V6A (sn:0-99999999)

DIESEL FUEL TANK



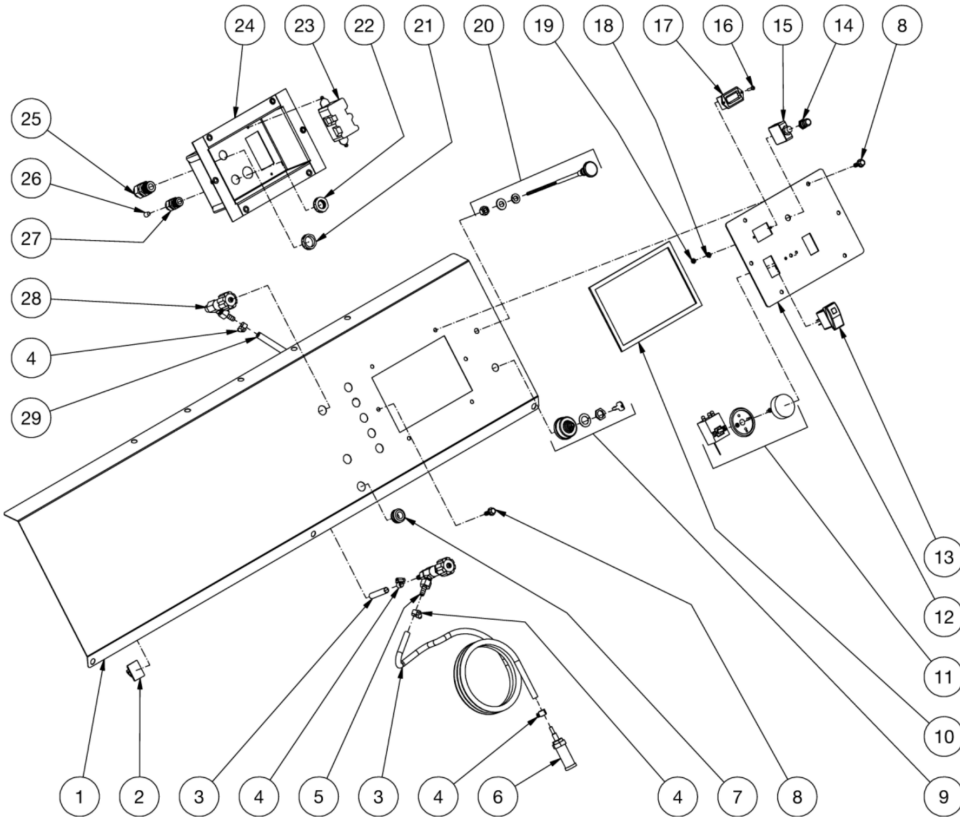
Id	Item #	Description	Quantity
1	850-0307	FUEL TANK ASSEMBLY (INC. 2-7)	1
2	34-1034	DECAL- CAUTION: RISK OF FIRE	1
3	N/A Sep.	FUEL TANK (SEE 850-0307)	1
4	12-0033	FUEL CAP	1

Id	Item #	Description	Quantity
5	23-0408	BULKHEAD FITTING	2
6	25-0427	O-RING	2
7	23-0409	NUT	2
8	23-0051	HOSE BARB	1
9	33-0352	FUEL PICKUP	1
10	23-0014	ELBOW	1
11	23-0455	HOSE BARB	1



HDS-3005-0V6A / HDS-3005-0V6A (sn:0-99999999)

CONTROL PANEL



Id	Item #	Description	Quantity
1	21-0285	CONTROL PANEL	1
2	33-0264	WIRE CLIP	5
3	15-0021	HOSE *(EIGHT FEET REQUIRED)	1
4	42-0004	CLAMP WORM	4
5	22-0226	DETERGENT VALVE	1
6	19-0056	STRAINER	1
7	33-0001	GROMMET	6
8	27-1200	BOLT	6
9	45-0076	KEY SWITCH	1
10	26-0248	GASKET	2
11	32-0962	ADJUSTABLE THERMOSTAT	1
12	21-0144	ELECTRIC BOX PANEL	1

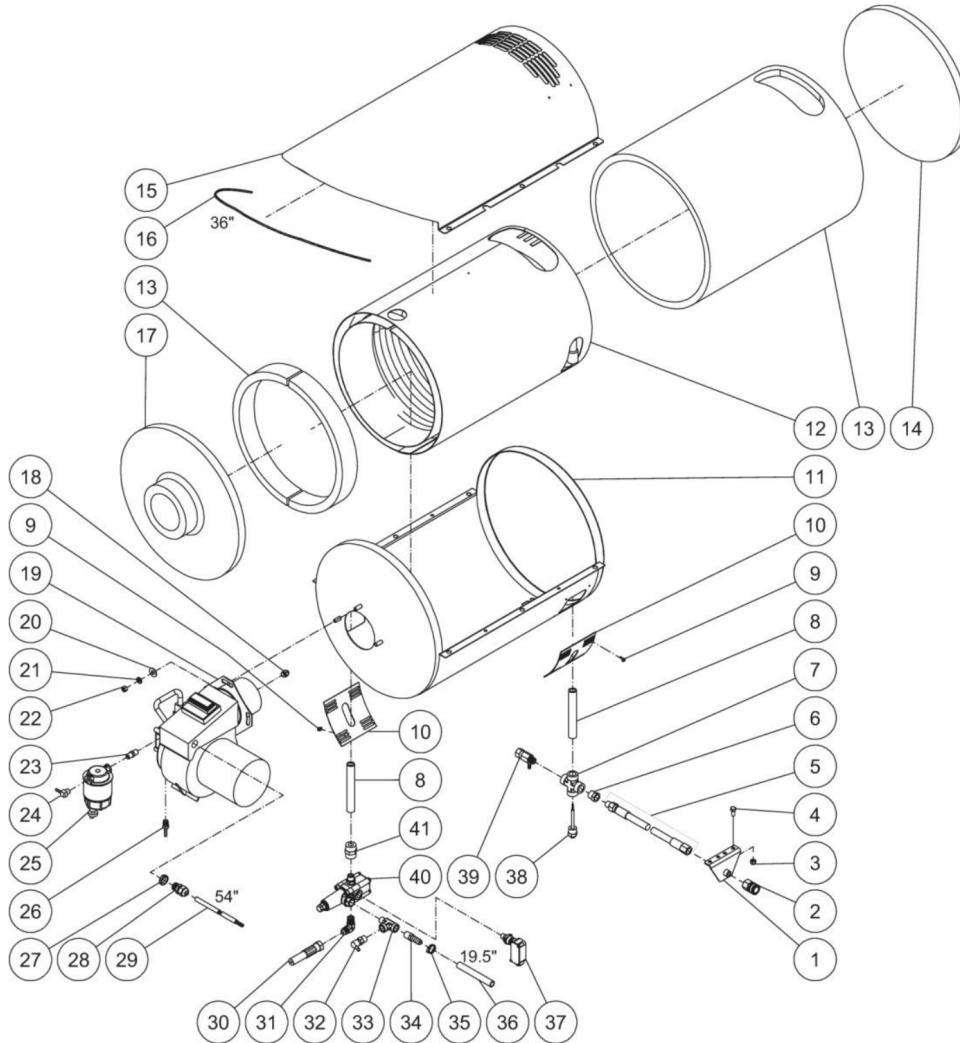
Id	Item #	Description	Quantity
13	32-0669	ROCKER SWITCH	2
14	32-0441	CIRCUIT BREAKER BOOT	1
15	32-0438	CIRCUIT BREAKER	1
16	27-8881	SCREW	2
17	32-0668	HOUR METER	1
18	28-1009	STAR WASHER	2
19	30-0052	NUT	2
20	33-0081	CHOKE CABLE	1
21	32-0108	ELECTRICAL LOCKNUT	2
22	32-0587	ELECTRICAL LOCKNUT	3
23	32-0245	GFCI OUTLET	1
24	20-0582A18	ELECTRIC BOX	1
25	32-0437	STRAIN RELIEF	2
26	32-0708	STRAIN RELIEF PLUG	1
27	32-0586	STRAIN RELIEF	3
28	22-0329	STEAM VALVE	1
29	15-0008	FUEL HOSE	1

*MUST ORDER IN ONE FOOT LENGTHS



HDS-3005-0V6A / HDS-3005-0V6A (sn:0-99999999)

HEAT EXCHANGER ASSY



Id	Item #	Description	Quantity
1	13-0199A18	WATER OUTLET BRACKET	1
2	17-0004	QC SOCKET	1
3	30-0157	LOCKNUT	2
4	27-0066	BOLT	2
5	15-0202	HP HOSE	1
6	23-0016	REDUCER BUSHING	1
7	24-0241	CROSS	1
8	24-0254	PIPE NIPPLE	2

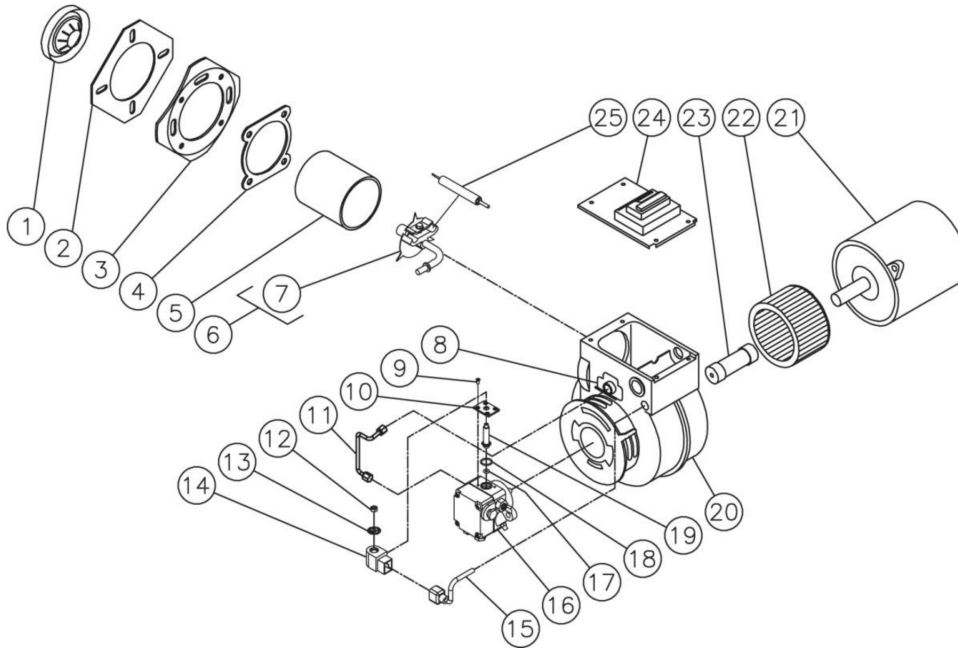
Id	Item #	Description	Quantity
9	27-3062	BOLT	8
10	20-0537A18	PATCH PLATE	2
11	21-0145	BOTTOM WRAP	1
12	66-0014	COIL	1
13	850-0279	INSULATION BLANKET	1
14	33-0346	INSULATION DISC	1
15	21-0129	TOP WRAP	1
16	33-0020	EDGING *(THREE FEET REQUIRED)	1
17	33-0345	INSULATION DRUM HEAD	1
18	18-0361	FUEL NOZZLE	1
19	4-0017	BURNER	1
20	28-0023	WASHER	3
21	29-0008	LOCKWASHER	3
22	30-0006	NUT	3
23	24-0145	NIPPLE	1
24	23-0054	ELBOW	1
25	19-0070	FUEL FILTER / WATER SEPERATOR	1
26	23-0051	BARB	1
27	32-0108	ELECTRICAL LOCKNUT	1
28	32-0437	STRAIN RELIEF	1
29	32-0247	CORD *(FIVE FEET REQUIRED)	1
30	15-0221	HIGH PRESSURE HOSE ASSEMBLY	1
31	24-0092	ELBOW	1
32	22-0432	HEAT DUMP VALVE	1
33	23-0058	STREET TEE	1
34	23-0105	HOSE BARB	1
35	42-0011	HOSE CLAMP	1
36	15-0007	HOSE *(TWO FEET REQUIRED)	1
37	22-0243	PRESSURE SWITCH	1
38	32-0962	ADJUSTABLE THERMOSTAT	1
39	22-0309	SAFETY RELIEF VALVE	1
40	8-0013	UNLOADER (3005/3505)	1
40	850-0304	UNLOADER (3006/3506)	1
41	24-0243	ADAPTER	1

*MUST ORDER IN ONE FOOT LENGTHS



HDS-3005-0V6A / HDS-3005-0V6A (sn:0-99999999)

BURNER ASSY



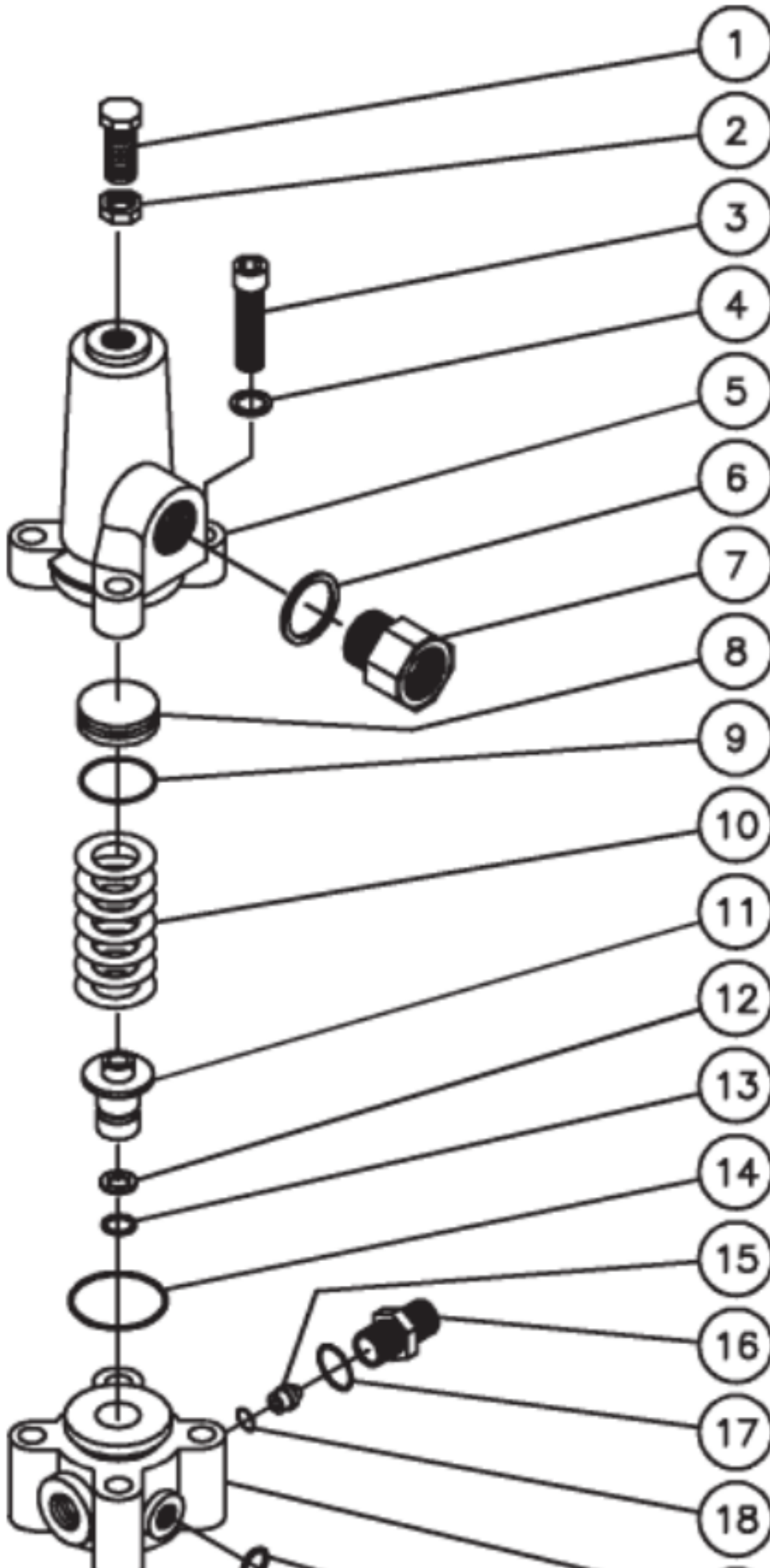
Id	Item #	Description	Quantity
1	44-0011	BURNER HEAD	1
2	44-0108	MOUNTING GASKET	1
3	44-0109	FLANGE	1
4	26-0138	GASKET	1
5	44-0110	AIR TUBE	1
6	44-0113	NOZZLE LINE ASSEMBLY	1
7	44-0114	ELECTRODE KIT	1
8	44-0031	ESCUTCHEON PLATE	1
9	SEE KIT	SCREW (SEE 70-0746)	1
10	46-1004	BASE PLATE (SEE 70-0746)	1
11	44-0026	FUEL LINE	1
12	46-1016	PISTON NUT (SEE 70-0746)	1
13	SEE KIT	SPRING WASHER (SEE 70-0746)	1
14	46-1020	FUEL SOLENOID	1
15	44-0122	CORD SET	1
16	3-0236	FUEL PUMP	1

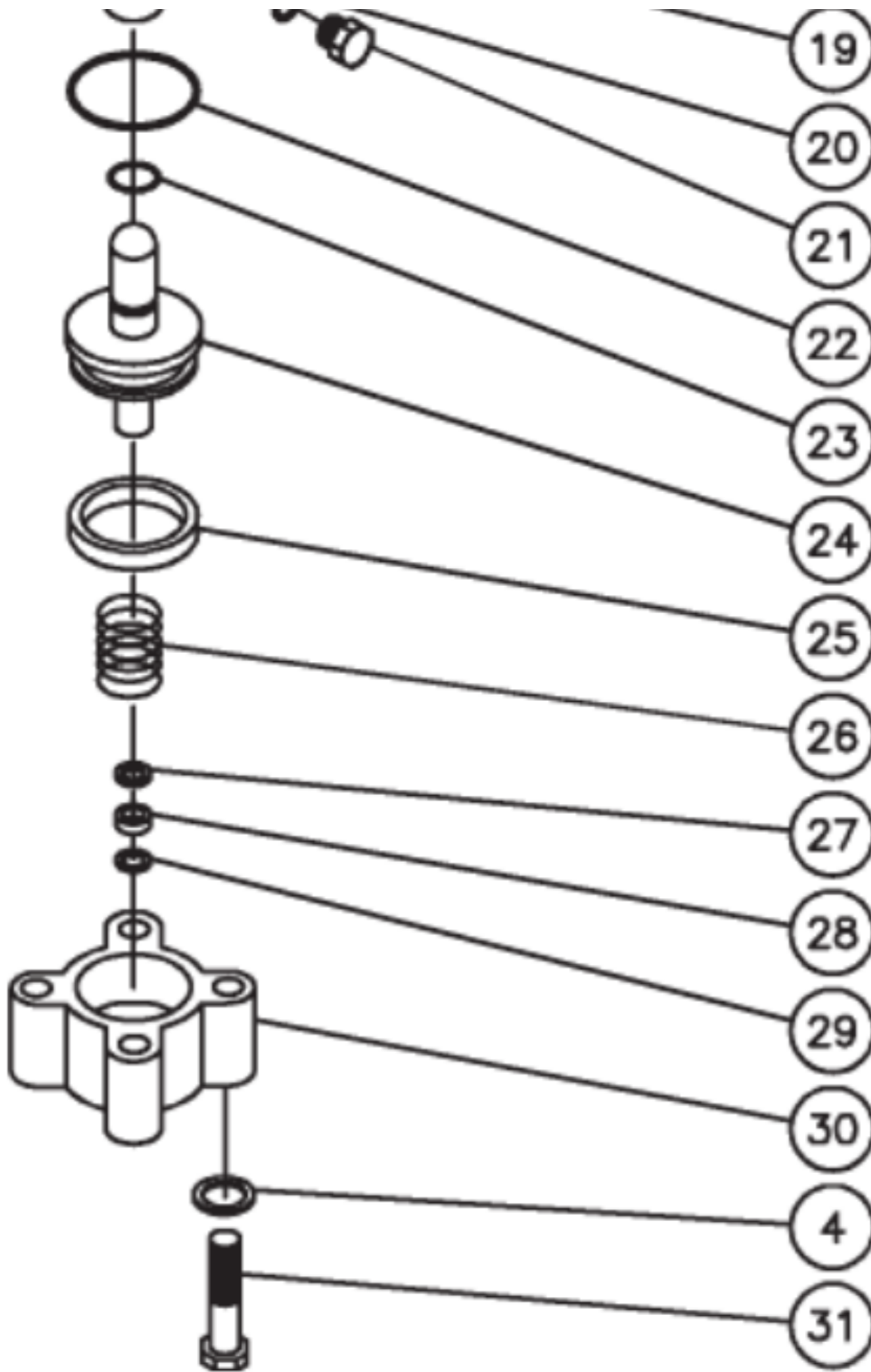
Id	Item #	Description	Quantity
17	SEE KIT	O-RING (SEE 70-0746)	1
18	SEE KIT	O-RING (SEE 70-0746)	1
19	SEE KIT	SOLENOID PISTON (SEE 70-0746)	1
20	44-0033	BURNER HOUSING	1
21	2-0068	MOTOR (4-0017)	1
21	2-0067	MOTOR (4-0018)	1
22	44-0071	BLOWER WHEEL	1
23	44-0014	COUPLER	1
24	44-0017	IGNITION TRANSFORMER (4-0017)	1
24	44-0015	IGNITION TRANSFORMER (4-0018)	1
25	44-0114	ELECTRODE	2
	4-0017	COMPLETE BURNER (INC 1-17)	
	4-0018	COMPLETE BURNER (INC 1-17)	
KIT	70-0746	SOLENOID TUBE KIT (INC 9, 10, 12, 13, 17-19)	



HDS-3005-0V6A / HDS-3005-0V6A (sn:0-99999999)

UNLOADER ASSY





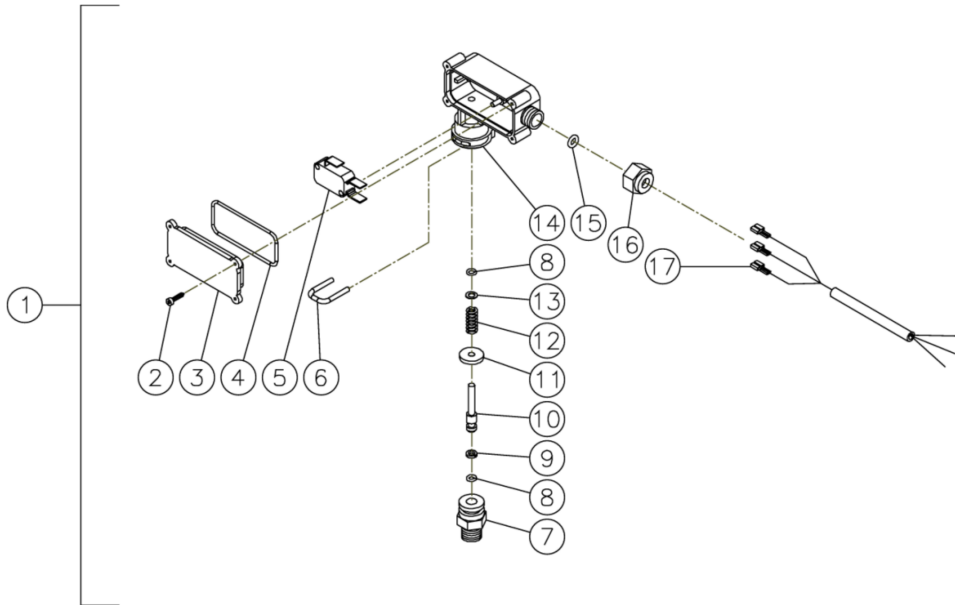
Id	Item #	Description	Quantity
1	27-8077	BOLT	1
2	30-3010	HEX NUT	1
3	27-8434	BOLT	4
4	29-0154	LOCKWASHER	8
5	8-0138	UPPER BODY	1
6	8-0277	WASHER	1
7	8-0125	BY-PASS RESTRICTOR	1
8	8-0135	SPRING GUIDE	1
9	25-0118	O-RING	1

Id	Item #	Description	Quantity
10	49-0026	SPRING	1
11	8-0145	VALVE SEAT	1
12	8-0141	BACK-UP RING	1
13	25-0121	O-RING	1
14	25-0117	O-RING	1
15	8-0128	FLOW BALANCER	1
16	8-0130	NIPPLE	1
17	25-0052	O-RING	1
18	25-0119	O-RING	1
19	8-0137	MIDDLE BODY	1
20	25-0114	O-RING	2
21	39-0017	HEX PLUG	2
22	25-0056	O-RING	1
23	25-0120	O-RING	1
24	8-0136	PISTON ASSEMBLY	1
25	26-0104	SEAL	1
26	49-0027	SPRING	1
27	8-0139	WASHER	1
28	26-0105	SEAL	1
29	8-0140	BACK-UP RING	1
30	8-0134	LOWER BODY	1
31	27-8037	BOLT	4
KIT	70-0013	UNLOADER REPAIR KIT (INC. 9, 11, 13, 14, 17, 18, 20, 22-26, 28, 29)	
KIT	852-0015	UNLOADER ORFICE KIT (INC. 1 EACH OF 7, 15, 16)	



HDS-3005-0V6A / HDS-3005-0V6A (sn:0-99999999)

PRESSURE SWITCH



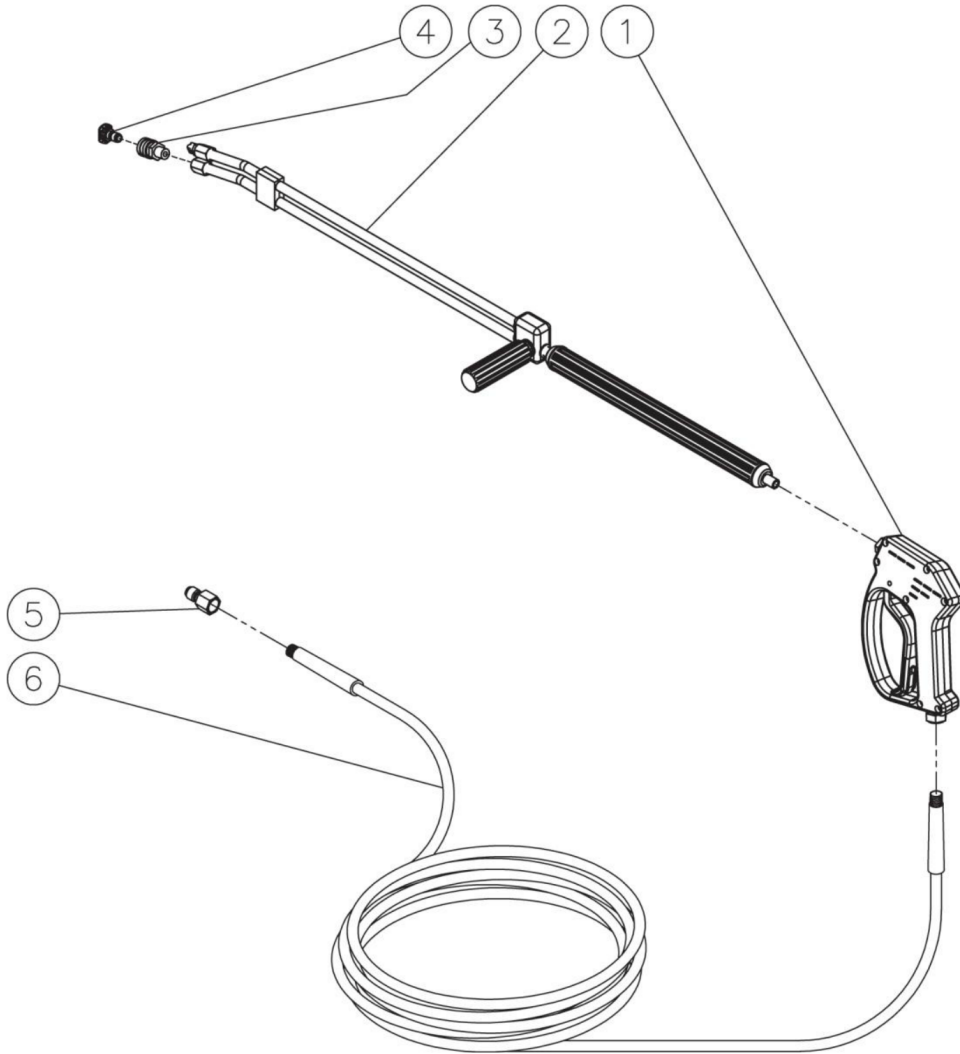
Id	Item #	Description	Quantity
1	22-0171	PRESSURE SWITCH- 15 BAR	1
1	22-0243	PRESSURE SWITCH- 25 BAR	1
2	N/A	SCREW	4
3	N/A	COVER	1
4	N/A Sep.	O-RING (SEE 70-0306)	1
5	N/A	MICRO SWITCH	1
6	N/A	RETAINER CLIP	1
7	N/A	BODY	1
8	N/A Sep.	O-RING (SEE 70-0306)	2
9	N/A Sep.	BACK-UP RING (SEE 70-0306)	1
10	N/A	PISTON	1
11	N/A	WASHER	1
12	49-0144	SPRING- 15 BAR	1
12	49-0145	SPRING- 25 BAR	1
13	N/A	WASHER	1
14	N/A	PLASTIC HOUSING	1

Id	Item #	Description	Quantity
15	N/A Sep.	O-RING (SEE 70-0306)	1
16	N/A	NUT- 15 BAR	1
16	N/A	NUT- 25 BAR	1
17	N/A	WIRE ASSEMBLY	1
KIT	70-0306	O-RING REPAIR KIT (INC. 4, 8-9, 15)	



HDS-3005-0V6A / HDS-3005-0V6A (sn:0-99999999)

GUN/WAND/HOSE ASSY



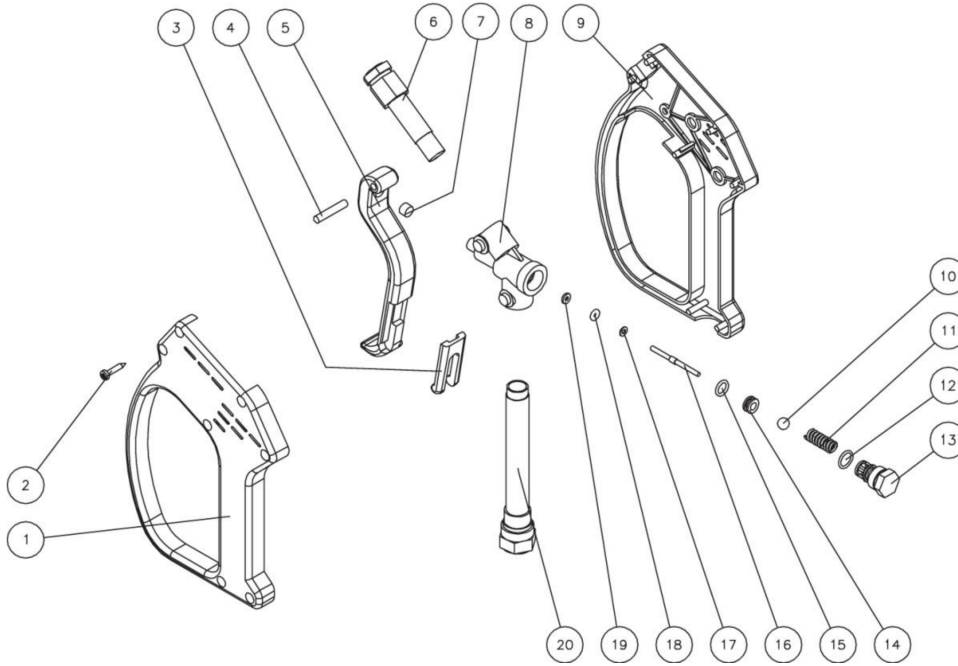
Id	Item #	Description	Quantity
1	16-0446	GUN ASSEMBLY	1
2	16-0417	DUAL LANCE 48" (3005)	1
2	16-0416	DUAL LANCE 36" (1803/2004/3004)	1
3	17-0028	QUICK CONNECT SOCKET	1
4	18-0402	NOZZLE- 0004.5 (3004)	1
4	18-0403	NOZZLE- 1504.5 (3004)	1
4	18-0404	NOZZLE- 2504.5 (3004)	1
4	18-0405	NOZZLE- 4004.5 (3004)	1

Id	Item #	Description	Quantity
4	18-0410	NOZZLE- 0005.5 (3005)	1
4	18-0411	NOZZLE- 1505.5 (3005)	1
4	18-0412	NOZZLE- 2505.5 (3005)	1
4	18-0413	NOZZLE- 4005.5 (3005)	1
4	18-0414	NOZZLE- 0006 (2004)	1
4	18-0415	NOZZLE- 1506 (2004)	1
4	18-0416	NOZZLE- 2506 (2004)	1
4	18-0417	NOZZLE- 4006 (2004)	1
4	18-0007	NOZZLE- 0007 (1805)	1
4	18-0008	NOZZLE- 1507 (1805)	1
4	18-0009	NOZZLE- 2507 (1805)	1
4	18-0032	NOZZLE- 4007 (1805)	1
5	17-0006	QUICK CONNECT PLUG	1
6	15-0166	HIGH PRESSURE HOSE ASSEMBLY 4500 PSI	1
6	15-0146	HIGH PRESSURE HOSE ASSEMBLY 3000 PSI	1



HDS-3005-0V6A / HDS-3005-0V6A (sn:0-99999999)

GUN ASSY



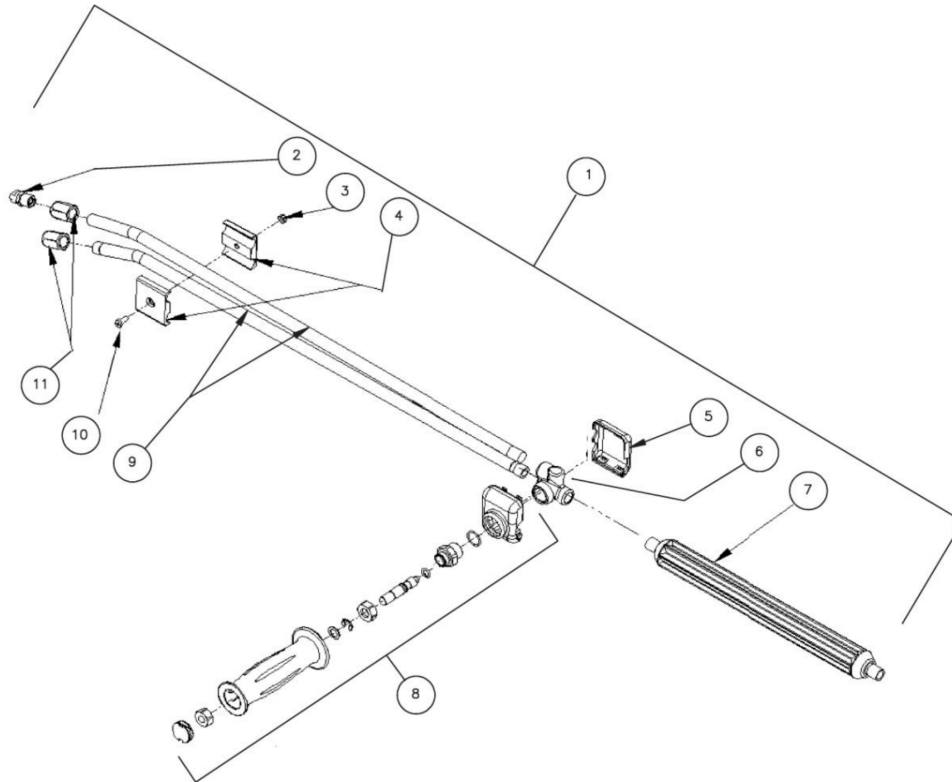
Id	Item #	Description	Quantity
1	N/A	PLASTIC HOUSING (LEFT)	1
2	N/A	SCREW	7
3	N/A	SAFETY LATCH	1
4	N/A	PIN	1
5	16-0393	TRIGGER	1
6	16-0395	TUBE	1
7	16-0394	STRIKER	1
8	N/A	BODY	1
9	N/A	PLASTIC HOUSING (RIGHT)	1
10	N/A Sep.	BALL (SEE 70-0332)	1
11	N/A	SPRING	1
12	N/A Sep.	O-RING (SEE 70-0332)	1
13	N/A	SPRING HOUSING PLUG	1
14	N/A Sep.	SEAT (SEE 70-0332)	1
15	N/A Sep.	O-RING (SEE 70-0332)	1

Id	Item #	Description	Quantity
16	N/A Sep.	PISTON (SEE 70-0332)	1
17	N/A	WASHER	1
18	N/A Sep.	O-RING (SEE 70-0332)	1
19	N/A Sep.	BACK-UP RING (SEE 70-0332)	1
20	16-0396	TUBE	1
KIT	70-0332	REPAIR KIT (INC. 10, 12, 14-16, 18, 19)	1



HDS-3005-0V6A / HDS-3005-0V6A (sn:0-99999999)

DUAL LANCE ASSEMBLY



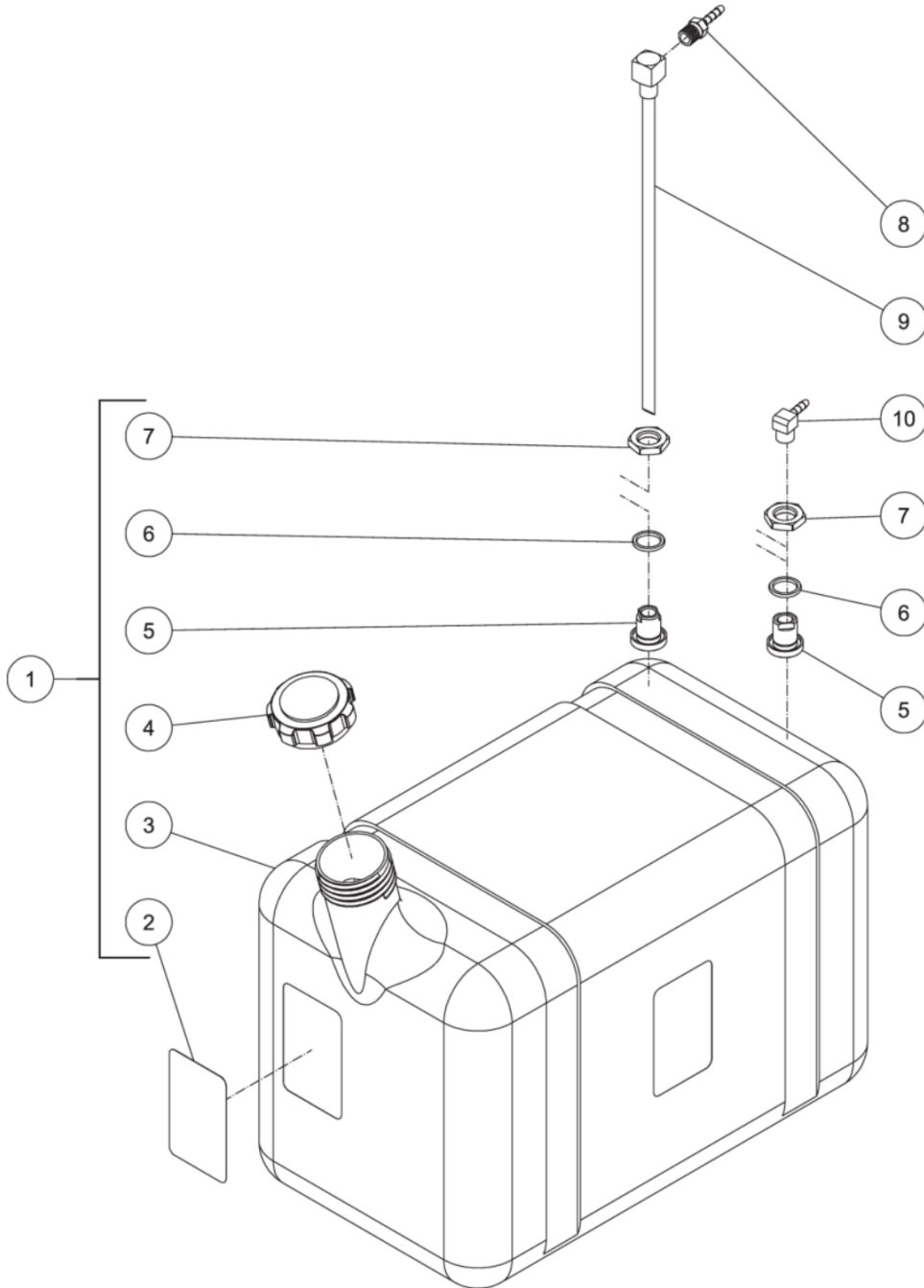
Id	Item #	Description	Quantity
1	16-0416	DUAL LANCE ASSEMBLY - 36" (INC. 2-11)	1
1	16-0417	DUAL LANCE ASSEMBLY - 48" (INC. 2-11)	1
2	18-0110	DETERGENT NOZZLE	1
3	30-6001	NUT	1
4	16-0420	CLAMP	2
5	N/A Sep.	LOWER VALVE COVER (SEE 16-0416 OR 16-0417)	1
6	N/A Sep.	HOUSING (SEE 16-0416 OR 16-0417)	1
7	16-0419	LANCE	1
8	70-0419	HANDLE REPAIR KIT	1
9	N/A Sep.	LANCE (SEE 16-0416)	2
9	N/A Sep.	LANCE (SEE 16-0417)	2
10	27-8196	SCREW	1

Id	Item #	Description	Quantity
11	24-0280	NOZZLE ADAPTER	2



HDS-3005-0V6A / HDS-3005-0V6A (sn:0-99999999)

BURNER FUEL TANK



Id	Item #	Description	Quantity
1	850-0307	FUEL TANK ASSEMBLY (INC. 2-7)	1
2	34-1034	DECAL- CAUTION: RISK OF FIRE	1

Id	Item #	Description	Quantity
3	N/A Sep.	FUEL TANK (SEE 850-0307)	1
4	12-0033	FUEL CAP	1
5	23-0408	BULKHEAD FITTING	2
6	25-0427	O-RING	2
7	23-0409	NUT	2
8	23-0051	HOSE BARB	1
9	33-0352	FUEL PICKUP	1
10	23-0054	ELBOW	1