

STARTING SERIAL # 070410300

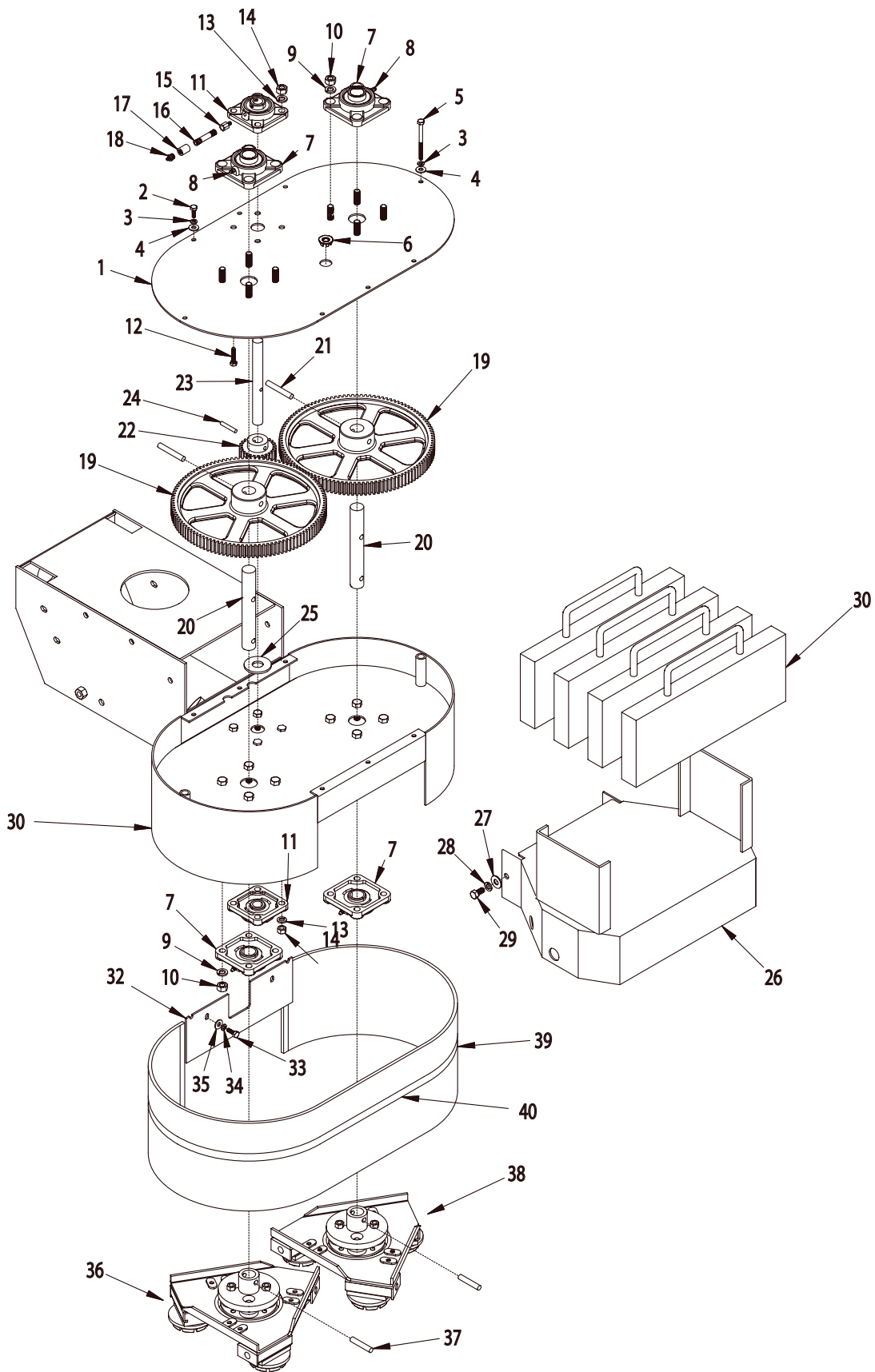
# PROPOLISHER II

## PARTS LIST MANUAL



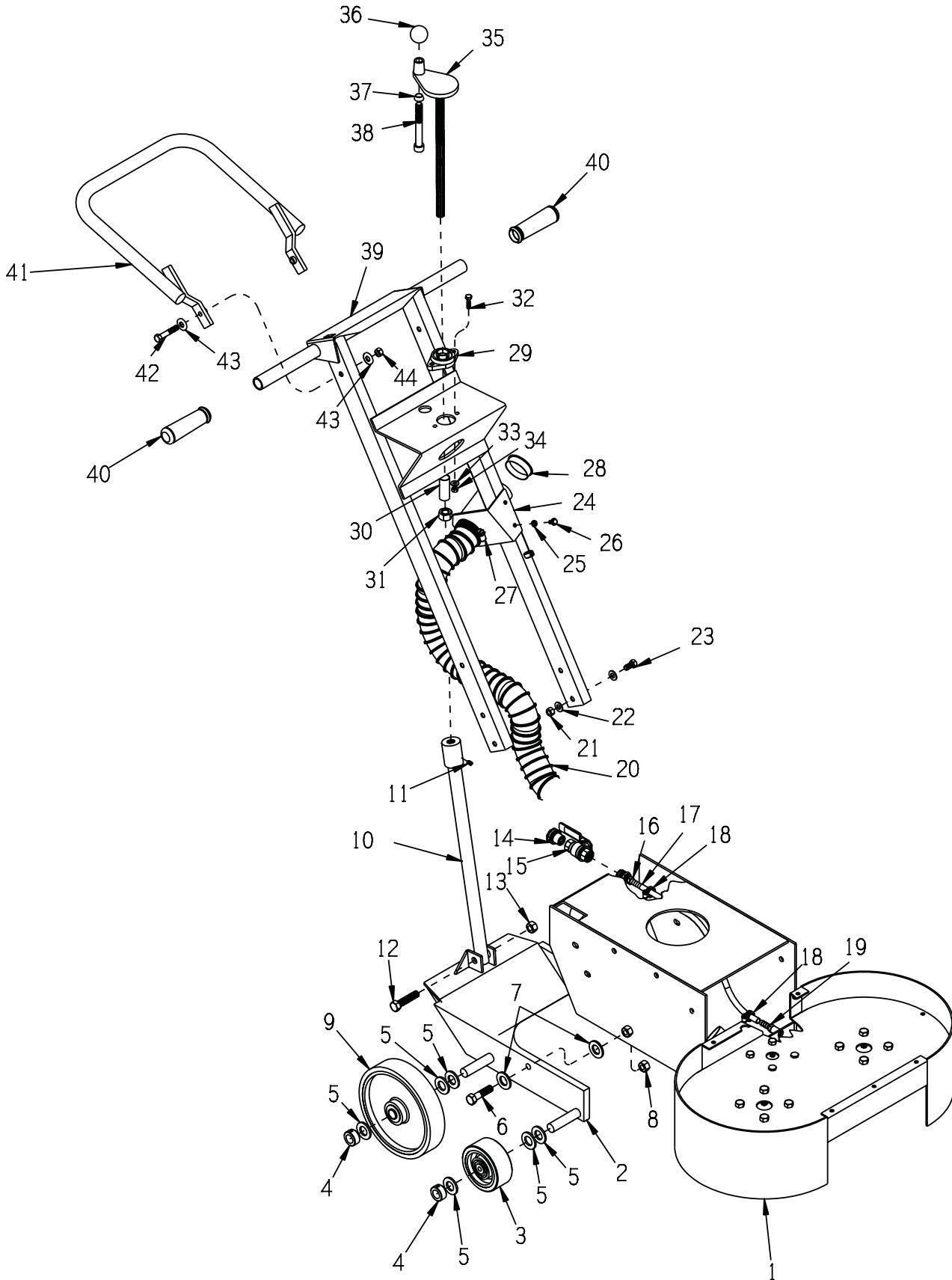
SKU NO.	MODEL NO.	POWER OPTION
53900	2DP-5B /230/1	BALDOR 5HP, 1 PHASE, 60 Hz, 230 VOLT, 23 FLA
53900-50/220	2DP-5B/50/220/3	BALDOR 5HP, 3 PHASE, 50 Hz, 220 VOLT, 14 FLA
53900-50/380	2DP-5B/50/380/3	BALDOR 5HP, 3 PHASE, 50 Hz, 380 VOLT, 8.1 FLA
53900-50/415	2DP-5B/50/415/3	BALDOR 5HP, 3 PHASE, 50 Hz, 415 VOLT, 7.5 FLA
53900-50/440	2DP-5B/50/440/3	BALDOR 5HP, 3 PHASE, 50 Hz, 440 VOLT, 7 FLA

ILLUSTRATION 1 : MAIN GROUPING

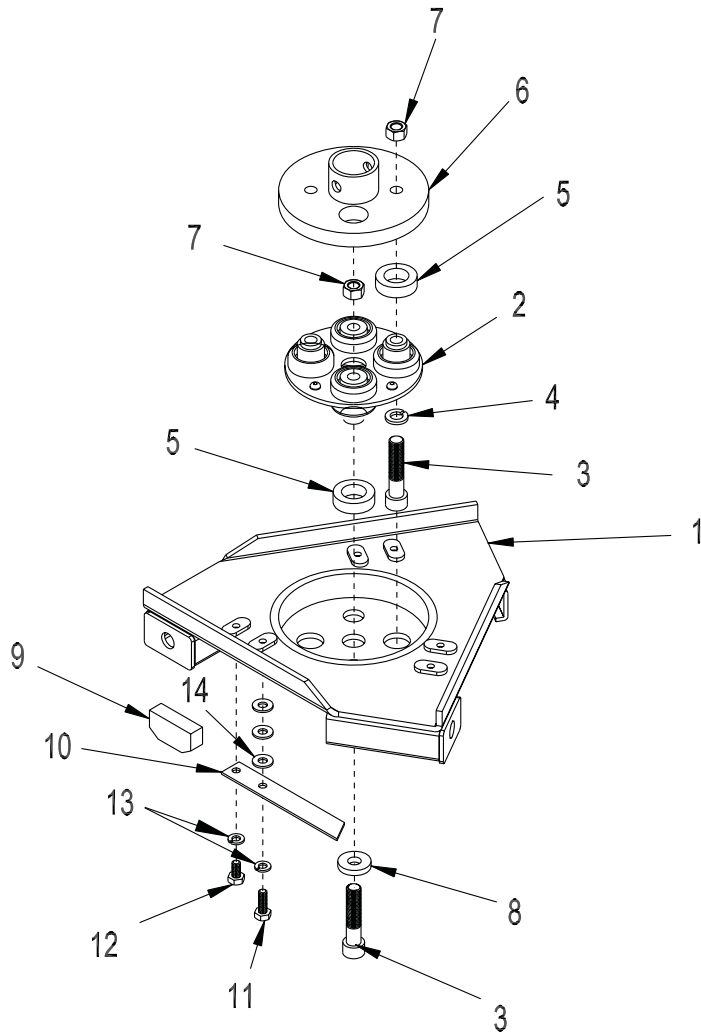


PARTS LISTING - ILLUSTRATION 1 : MAIN GROUPING			
ITEM#	PART#	DESCRIPTION	QTY.
1	77502	COVER, GEAR CASE	1
2	10018	SCREW, CAP 1/4-20 X 3/4	6
3	10038	WASHER, LOCK 1/4	8
4	10602	WASHER, FLAT 1/4 SAE	8
5	11697	SCREW, FLANGE HEX 1/4-20 X 3	2
6	10005	PLUG, HOLE 7/8" (CHROME)	1
7	77008	BEARING, BALL 1" 4-HOLE FLANGE, ND	4
8	10808	FITTING, GREASE 1/4-28 STRAIGHT (INCLUDED W/ ITEMS 7 & 11)	4
9	10450	WASHER, LOCK 7/16	16
10	10481	NUT 7/16-20	16
11	77009	BEARING, BALL 3/4" 4-HOLE FLANGE	2
12	10309	SCREW, CAP 3/8-24 X 1-1/4 PLATED	4
13	10811	WASHER, LOCK 3/8	8
14	10014	NUT 3/8-24	8
15	50541	ADAPTER, GREASE FIT. 1/8PT X 1/4-28	1
16	10699	PIPE NIPPLE 1/8NPT X 2" (BLACK)	1
17	10585	PIPE COUPLING 1/8 NPT (BLACK STEEL)	1
18	10953	FITTING, GREASE 1/8 NPT STRAIGHT	1
19	77012	GEAR, SPUR 112 TOOTH (DRIVEN)	2
20	77346	SHAFT, LARGE GEAR 1"DIA X 7"L	2
21	10007	PIN, ROLL 3/8 X 2-1/2	2
22	77053	GEAR, SPUR 25 TOOTH (PINION)	1
23	77011	SHAFT, PINION GEAR 3/4DIA X 7-3/8"L	1
24	10037	PIN, ROLL 1/4 X 1-1/2	1
25	10009	WASHER, FLAT 3/4 SAE	1
26	77505	HOOD	1
27	10025	WASHER, FLAT 3/8 SAE	2
28	10811	WASHER, LOCK 3/8	2
29	10907	SCREW, CAP 3/8-16 X 3/4	2
30	77506	WEIGHT BLOCK, 40 LB. (STANDARD) WEIGHT BLOCK, 40 LB. (OPTIONAL)	4 2
31	77501	MAIN FRAME	1
32	77504	RUBBER SKIRT, REAR 1/8 X 4 X 11	1
33	10018	SCREW, CAP 1/4-20 X 3/4	2
34	10038	WASHER, LOCK 1/4	2
35	10602	WASHER, FLAT 1/4 SAE	2
36	77515	DISC ASSY. LH, FLEX (REFER TO ILLUS. 3 FOR BREAKDOWN)	1
37	10063	PIN, ROLL 3/8 X 2	2
38	77514	DISC ASSY. RH, FLEX (REFER TO ILLUS. 3 FOR BREAKDOWN)	1
39	77503	RUBBER SKIRT 1/4 X 8 X 57	1
40	77519	CLAMP, SKIRT, SAE # 348, ADJ. TO 22-1/4	1

ILLUSTRATION 2 :HANDLE & WHEEL CARRIAGE GROUPING



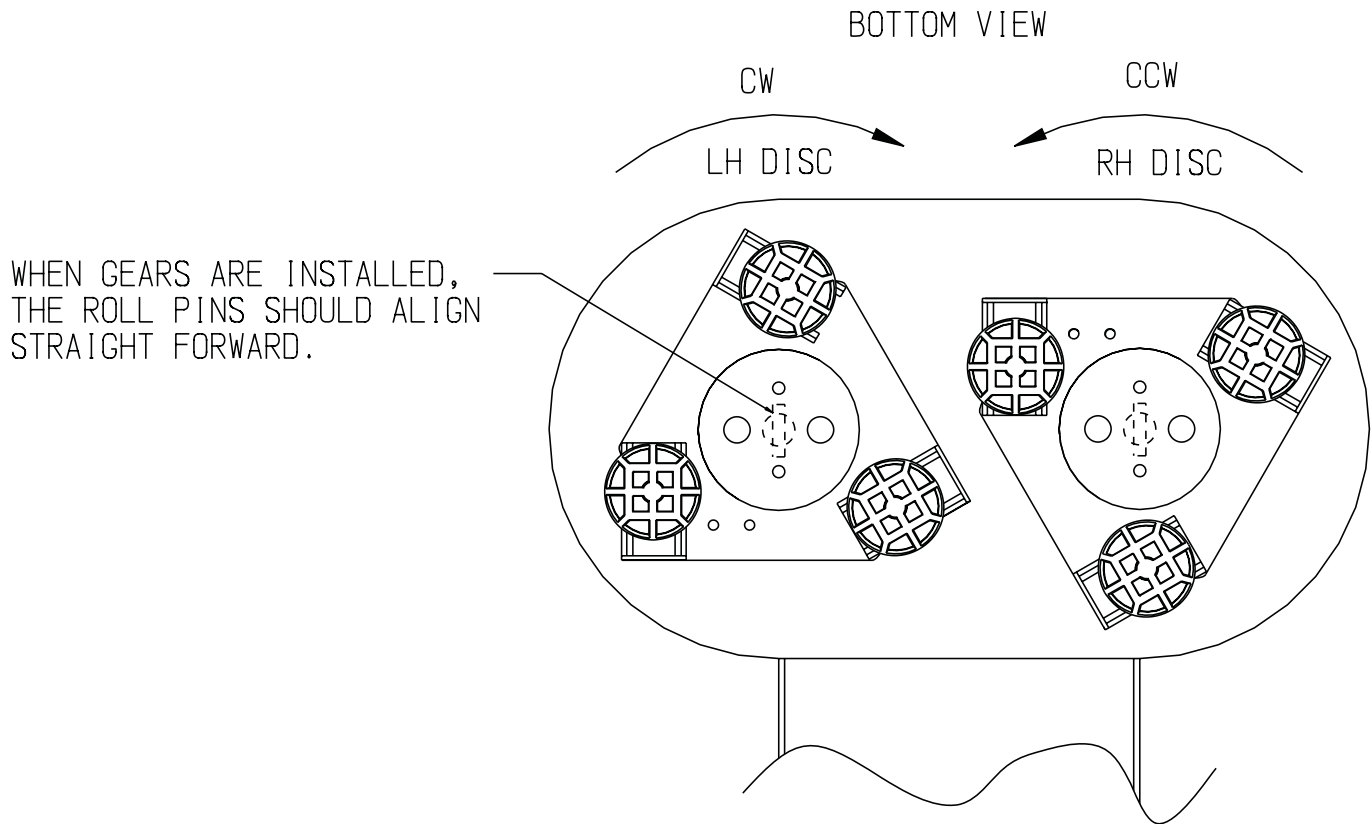
PARTS LISTING - ILLUSTRATION 2 : HANDLE & WHEEL CARRIAGE GROUPING			
ITEM#	PART#	DESCRIPTION	QTY.
1	77501	MAIN FRAME	1
2	77510	CARRIAGE, WHEEL	1
3	77520	WHEEL 4 X 1-1/2 X 3/4"BRG., POLY	2
4	10428	COLLAR, LOCKING 3/4"ID	4
5	10009	WASHER, FLAT 3/4 SAE	12
6	10322	SCREW, CAP 1/2-20 X 2	2
7	10312	WASHER, FLAT 1/2 SAE	4
8	10072	NUT 1/2-20	2
9	68008	WHEEL 8 X 1-5/8 X 3/4"BRG., POLY	2
10	77511	LINKAGE, LOWER	1
11	10808	FITTING, GREASE 1/4-28 STRAIGHT	1
12	10347	SCREW, CAP 1/2-20 X 2-1/4	1
13	10205	NUT, LOCK 1/2-20	1
14	80021	CONN., SWIVEL FEM. 3/4HOSE X 1/2MPT	1
	10070	WASHER, HOSE 3/4 (INCLUDED W/ P/N 80021)	1
15	10711	VALVE, BALL 1/2 FPT	1
16	50075	BARB, 3/8HOSE X 1/4MPT (BRASS)	1
17	77521	HOSE 3/8"ID X 17-1/2"L	1
18	50069	CLAMP, HOSE, SAE #6, ADJ. TO 13/16	2
19	10694	BARB, 3/8HOSE X 1/8MPT	1
20	77113	HOSE, FLEX 2"ID X 32"L	1
21	10004	NUT, LOCK 3/8-24	4
22	10025	WASHER, FLAT 3/8 SAE	8
23	10029	SCREW, CAP 3/8-24 X 1-3/4	4
24	86347	BRACKET, MULTI-VAC PORT 2-3"	1
25	10038	WASHER, LOCK 1/4	2
26	10846	SCREW, CAP STSHW 1/4-20 X 1/2	2
27	10766	CLAMP, HOSE, SAE #28, ADJ. TO 2-1/4	2
28	65021	CAP/PLUG 2" RED PLASTIC, FLANGED	1
29	80009	BEARING, BALL 5/8" 2-HOLE (NO G.F.)	1
30	55010	SPACER, HANDWHEEL 5/8"ID X 3/4"L	1
31	50008	NUT 5/8-8 ACME	1
32	10412	BOLT, CARRIAGE 1/4-20 X 1 FULL THD.	2
33	10602	WASHER, FLAT 1/4 SAE	2
34	10861	NUT, KEPS 1/4-20	2
35	65019	HANDWHEEL, SMALL W/ 5/8-8 X 13"ROD	1
36	14023	KNOB, BALL 1-3/8 W/ 1/2-13THD, BLK.	1
37	50550	SLEEVE FOR 1/2" CAPSCREW, TAPERED	1
38	10411	SCREW, SKT. HD. CAP 1/2-13 X 4 ZINC	1
39	77507	HANDLE BAR	1
40	10608	GRIP, HAND 1" MODEL AT	2
41	77508	HANDLE EXTENSION, 1	1
42	10030	SCREW, CAP 3/8-24 X 2	2
43	10025	WASHER, FLAT 3/8 SAE	4
44	10004	NUT, LOCK 3/8-24	2

**ILLUSTRATION 3 : FLEX DISC ASSEMBLY**


77514 DISC ASSY., RH, (1 REQ'D.)			
77515 DISC ASSY., LH, (1 REQ'D.)			
ITEM #	PART#	DESCRIPTION	QTY.
1		DISC, FLEX	
	77516	DISC ONLY, RH FLEX	1
	77517	DISC ONLY, LH FLEX	1
2	86017	COUPLING, MORFLEX 402	1
3	10114	SCREW, SKT. HD. CAP 3/8-24 X 2-1/4	4
4	10811	WASHER, LOCK 3/8	2
5	86343	BUSHING, RUBBER 1-1/4 X 3/4 X 3/8	4
6	77518	FLANGE, MORFLEX COUPLING	1
7	10004	NUT, LOCK 3/8-24	4
8	11695	WASHER, EXTRA THK 3/8 X 1 X 3/16	2
9	86511	RUBBER BUMPER	3
10	86509	CLIP, SPRING TENSION	3
11	10018	SCREW, CAP 1/4-20 X 3/4	3
12	10834	SCREW, CAP 1/4-20 X 1/2	3
13	10038	WASHER, LOCK 1/4	6
14	10602	WASHER, FLAT 1/4 SAE	9

**ILLUSTRATION 4 : DISC ALIGNMENT**

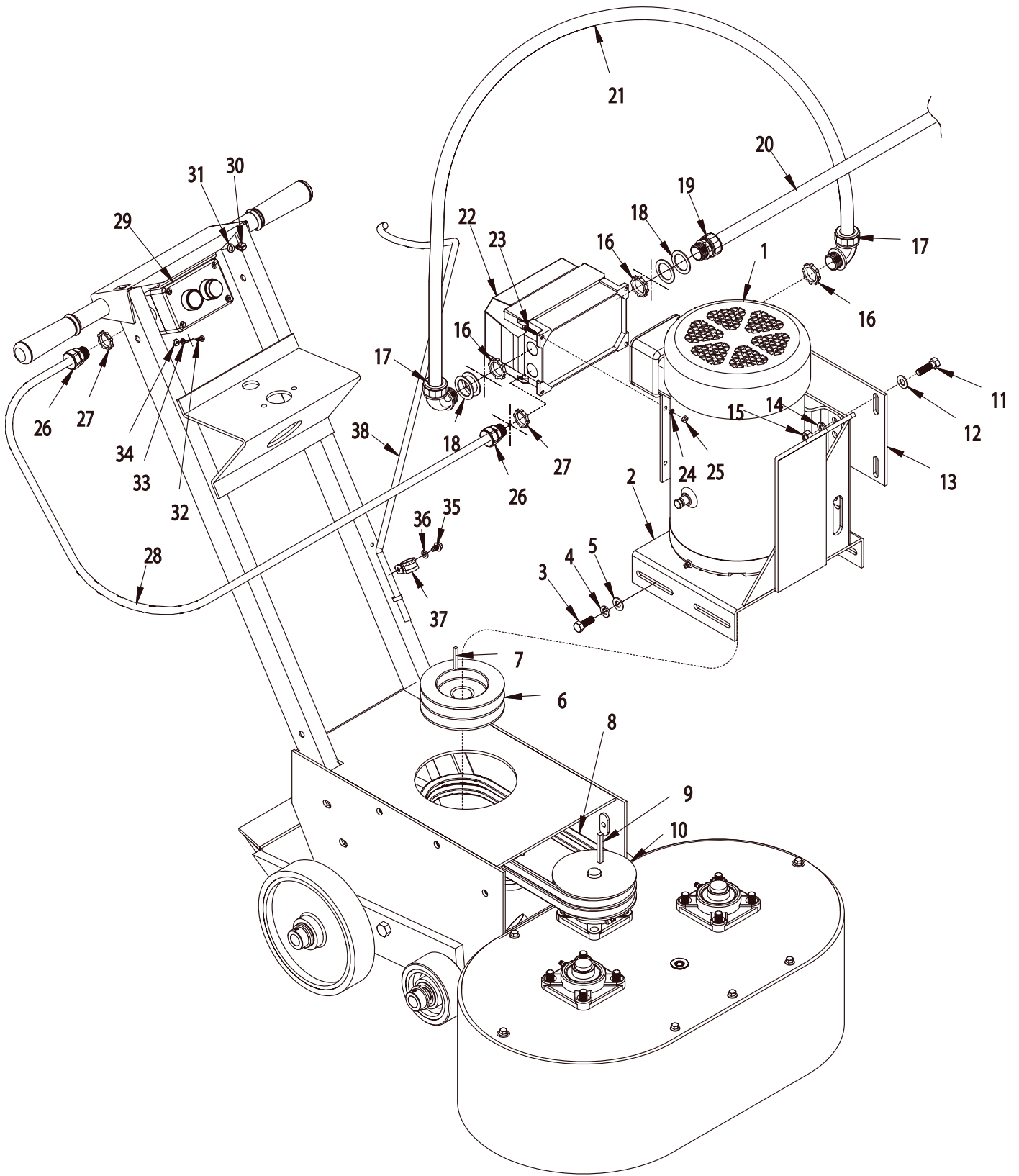
CARE MUST BE TAKEN WHEN INSTALLING POLISHER DISC ASSEMBLIES. DISCS ARE TRIANGULAR AND MUST BE MOUNTED AS SHOWN TO ALLOW THEM TO PASS EACH OTHER WITHOUT COLLIDING.





<b>PARTS LISTING - ILLUSTRATION 5 : MOTOR GROUPING (60Hz-1 PHASE)</b>			
<b>ITEM#</b>	<b>PART#</b>	<b>DESCRIPTION</b>	<b>QTY.</b>
1	16043	MOTOR, BALDOR 5HP 1PH 60HZ 1725RPM	1
		REPLACEMENT PARTS	
	16507	CAPACITOR, RUN, BALDOR OC3030F11, 30MFD 370V	
	16508	CAPACITOR, START, BALDOR EC121C06, 216-259 MFD, 250V 2 REQUIRED	
	16509	RESET BUTTON, BALDOR TPLED1027	
2	10055	SCREW, CAP 3/8-16 X 1	4
3	10811	WASHER, LOCK 3/8	4
4	10025	WASHER, FLAT 3/8 SAE	4
5	77512	MOUNT, MOTOR	1
6	10115	KEY 1/4SQ X 2	1
7	77341	SHEAVE 5"OD X 2GR.B X 1-1/8"BORE	1
8	10016	KEY 3/16SQ X 1-1/2	1
9	77058	SHEAVE 5"OD X 2GR.B X 3/4"BORE	1
10	10251	BELT BP-34	2
11	10021	SCREW, CAP 3/8-24 X 1	4
12	10025	WASHER, FLAT 3/8 SAE	4
13	10811	WASHER, LOCK 3/8	4
14	10004	NUT, LOCK 3/8-24	4
15	10790	CONDUIT LOCK NUT 1/2 NP	1
16	41130	STRAIN RELIEF 1/2NPT X .550-.650"	1
17	77522	WIRE HARNESS 10/3 X 44"L (SWITCH TO MOTOR)	1
18	11565	CLAMP, LOOM, 5/8" (SAE SIZE 10)	1
19	10846	SCREW, CAP STSHW 1/4-20 X 1/2	1
20	77043	SWITCH, ROTARY CAM ON/OFF, LOVATO	1
21	10462	NUT 8-32	4
22	10461	WASHER, LOCK, INT. TOOTH #8	4
23	11663	SCREW, MACHINE 8-32 X 1/2	4
24	77042	BRACKET, LOVATO ROTARY CAM SWITCH	1
25	10038	WASHER, LOCK 1/4	2
26	10846	SCREW, CAP STSHW 1/4-20 X 1/2	2
27	15204	PLUG, RECT. HOLE, PLASTIC SNAP-IN	1
28	40066	STRAIN RELIEF 1/2NPT X .350-.450"	2
	10790	CONDUIT LOCK NUT 1/2 NP	2
29	77523	WIRE HARNESS 10/3 X 44"L (SWITCH TO PLUG)	1
30	77509	HANGER, POWER CORD	1
31	40037	PLUG, LOCKING 20A/250V L6 - 20P	1
32	40000	CONNECTOR, LOCKING 20A/250V L6-20R	1

ILLUSTRATION 6: MOTOR GROUPING (50Hz-3 PHASE)



PARTS LISTING - ILLUSTRATION 6: MOTOR GROUPING (50Hz-3 PHASE)			
ITEM#	PART#	DESCRIPTION	QTY.
1	16066	MOTOR, BALDOR 5HP 3PH 50HZ 1425RPM	1
2	77512	MOUNT, MOTOR	1
3	10055	SCREW, CAP 3/8-16 X 1	4
4	10811	WASHER, LOCK 3/8	4
5	10025	WASHER, FLAT 3/8 SAE	4
6	77341	SHEAVE 5"OD X 2GR.B X 1-1/8"BORE	1
7	10115	KEY 1/4SQ X 2	1
8	10251	BELT BP-34	2
9	10016	KEY 3/16SQ X 1-1/2	1
10	77058	SHEAVE 5"OD X 2GR.B X 3/4"BORE	1
11	10333	SCREW, CAP 3/8-16 X 1-1/4	4
12	10025	WASHER, FLAT 3/8 SAE	4
13	65087	MOUNT, STARTER (NOTE: REQUIRES HOLES TO BE DRILLED)	1
14	10811	WASHER, LOCK 3/8	4
15	10404	NUT 3/8-16	4
16	10740	CONDUIT LOCK NUT 3/4 NP	3
17	10984	CONN., LIQUID TITE 90D X 3/4NPT	2
18	77081	WASHER, FLAT 1-1/2 X 1-1/16 X .06	4
19	10605	STRAIN RELIEF 3/4NPT X .650-.750"	1
20	77525	WIRE HARNESS 10/4 x 54"L	1
21	77526	WIRE HARNESS 10/4 x 30"L	1
22		LOVATO STARTER w/ BLUE RESET BUTTON	1
	16475	3 PHASE 220V 50Hz, 11-M1-BRF-R23-23-23060	
	16476	3 PHASE 380V 50Hz, 11-M1-BRF-R14-10-38050	
	16472	3 PHASE 415V 50Hz, 11-M1-BRF-R14-10-41550	
	16458	3 PHASE 440V 50Hz, 11-M1-BRF-R14-10-46060	
23	10362	SCREW, MACHINE 8-32 X 3/4	4
24	10461	WASHER, LOCK, INT. TOOTH #8	4
25	10462	NUT 8-32	4
26	40066	STRAIN RELIEF 1/2NPT X .350-.450"	
27	10790	CONDUIT LOCK NUT 1/2 NP	
28	77527	WIRE HARNESS 16/4 x 46"L	1
29	16456	REMOTE SWITCH BOX COMPLETE	1
		<u>REPLACEMENT PARTS INCLUDE:</u>	
	16456-1	ENCLOSURE, LOVATO 2 BUTTON	1
	16456-2	ENCLOSURE BUTTON, GREEN FLUSH START	1
	16456-3	ENCLOSURE BUTTON, RED EXTENDED STOP	1
	16456-4	ENCLOSURE CONTACT, START GREEN N.O.	1
	16456-5	ENCLOSURE CONTACT, STOP RED N.C.	1
30	10846	SCREW, CAP STSHW 1/4-20 X 1/2	2
31	10038	WASHER, LOCK 1/4	2
32	11663	SCREW, MACHINE 8-32 X 1/2	4
33	10461	WASHER, LOCK, INT. TOOTH #8	4
34	10462	NUT 8-32	4
35	10846	SCREW, CAP STSHW 1/4-20 X 1/2	1
36	10038	WASHER, LOCK 1/4	1
37	11565	CLAMP, LOOM, 5/8" (SAE SIZE 10)	1
38	77509	HANGER, POWER CORD	1