

OPERATION AND PARTS MANUAL



WHITEMAN **EPOXY/M SERIES** **WALK-BEHIND TROWEL**

Revision #5 (10/06/10)

To find the latest revision of this
publication, visit our website at:
www.multiquip.com

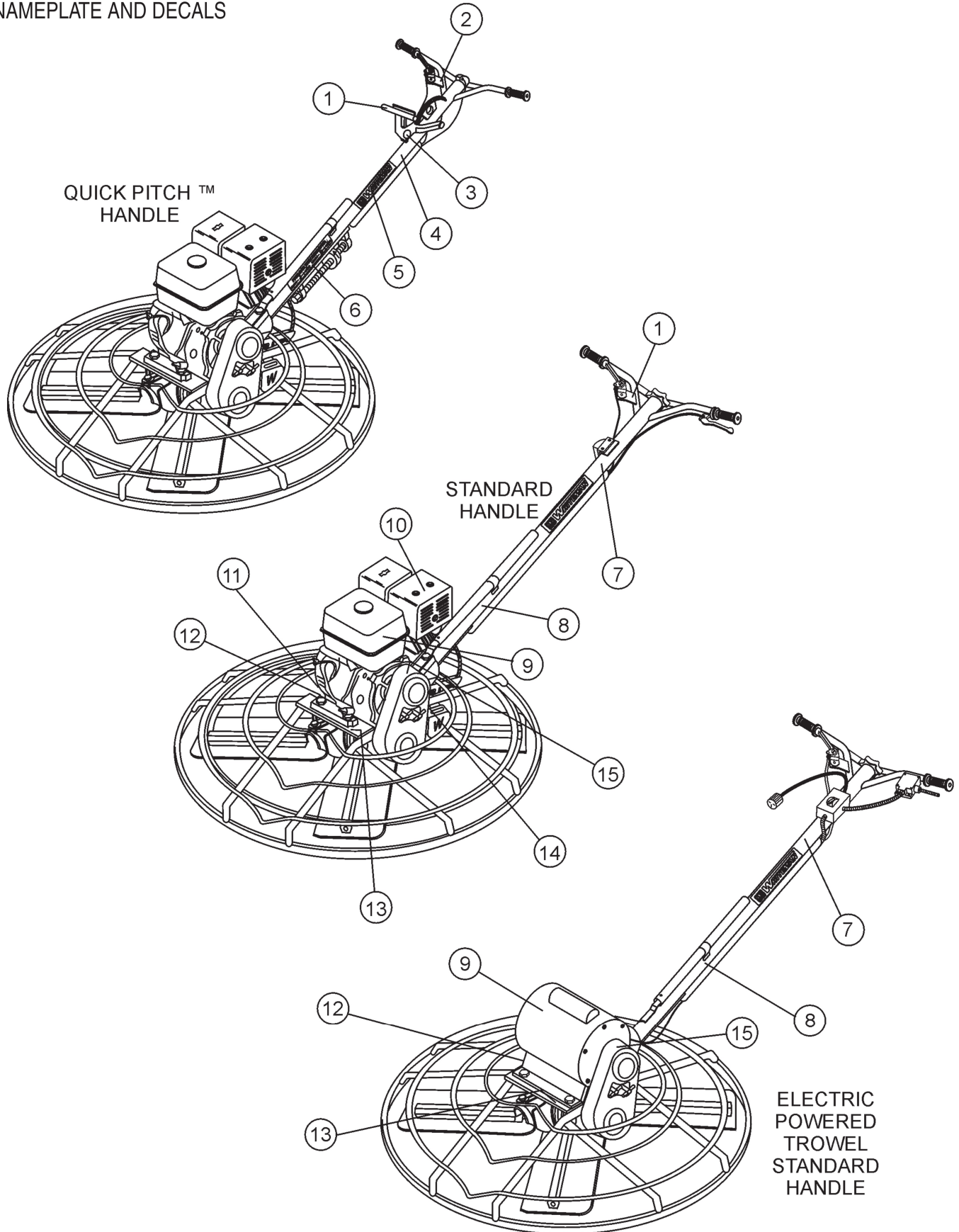


THIS MANUAL MUST ACCOMPANY THE EQUIPMENT AT ALL TIMES.

P/N 10487

EPOXY/M SERIES TROWEL — NAMEPLATE AND DECALS

NAMEPLATE AND DECALS



EPOXY/M SERIES TROWEL — NAMEPLATE AND DECALS

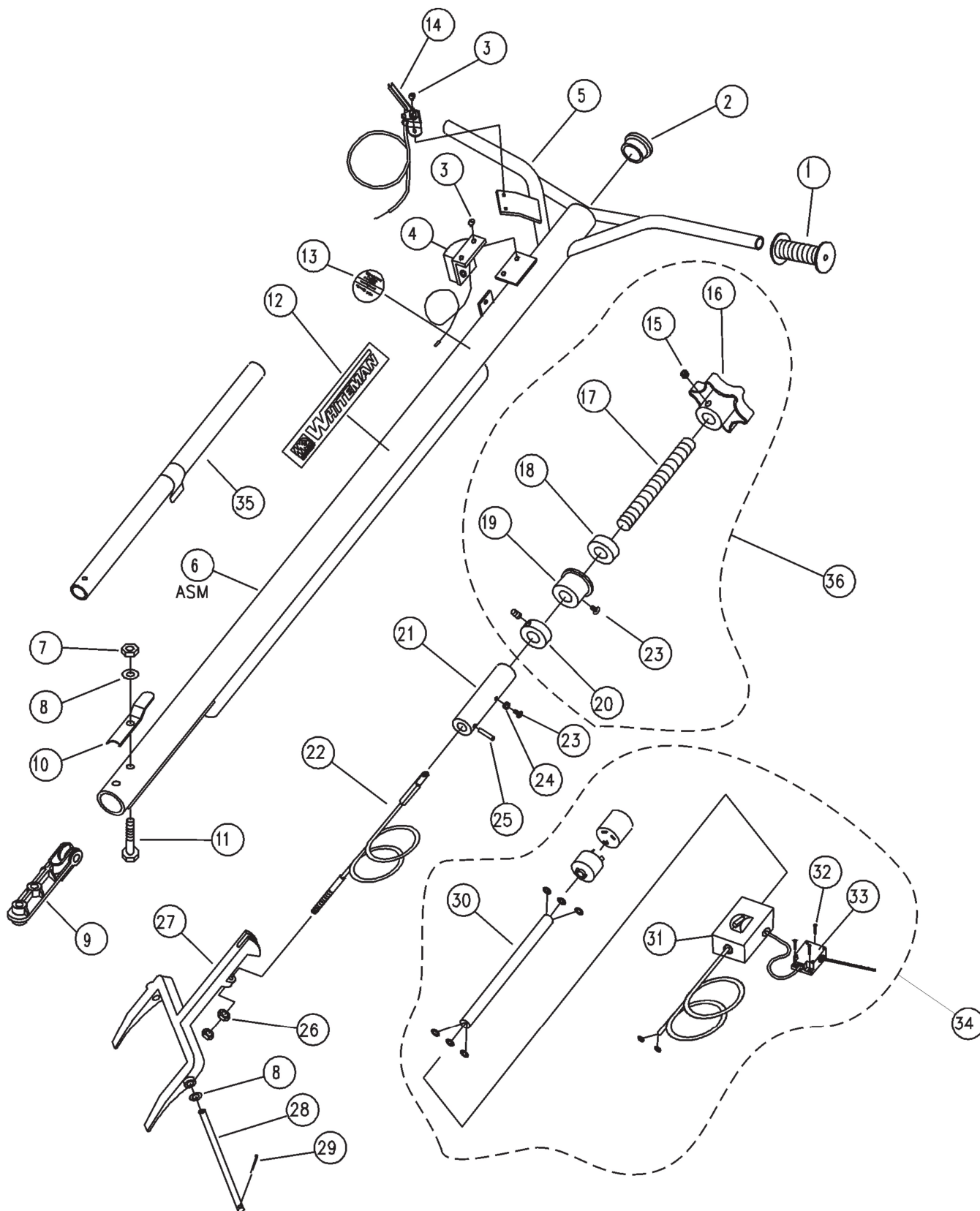
NAMEPLATE AND DECALS

<u>NO.</u>	<u>PART NO.</u>	<u>PART NAME</u>	<u>QTY.</u>	<u>REMARKS</u>
1	1734	DECAL: WARNING DO NOT OPERATE	1	
2	1755	DECAL: WARNING PITCH HANDLE	1	
3	12405	DECAL: QUICK PITCH™ HANDLE INSERT	2	
4	1758	DECAL: QUICK PITCH™ HANDLE	2	
5	1499	DECAL: MQ WHITEMAN (LARGE)	1	
6	1735	DECAL: PRE-LOAD INDICATOR	1	
7	1492	DECAL: STANDARD HANDLE (FINISHER)	1	
8	1261	DECAL: DO NOT LIFT	1	
9	1147	DECAL: HELMET, FOOT AND GLOVE	1	
10*	11246	DECAL: HEAT	1	
11*	11246	DECAL: OIL CHECK	1	
12		NAMEPLATE	1 CONTACT MULTIQUIP PARTS DEPT.
13	1940	DECAL: MQ WHITEMAN (SMALL)	1	
14*	11246	DECAL: GEAR DRIVE	1	
15*	11246	DECAL: BELT DRIVE	1	
	12620	KIT, DECAL REPLACEMENT	1 INCLUDES ITEMS W/*

SEE DECAL ILLUSTRATIONS ON PAGE 12

EPOXY/M SERIES TROWEL — STANDARD HANDLE ASSY.

STANDARD HANDLE ASSY.



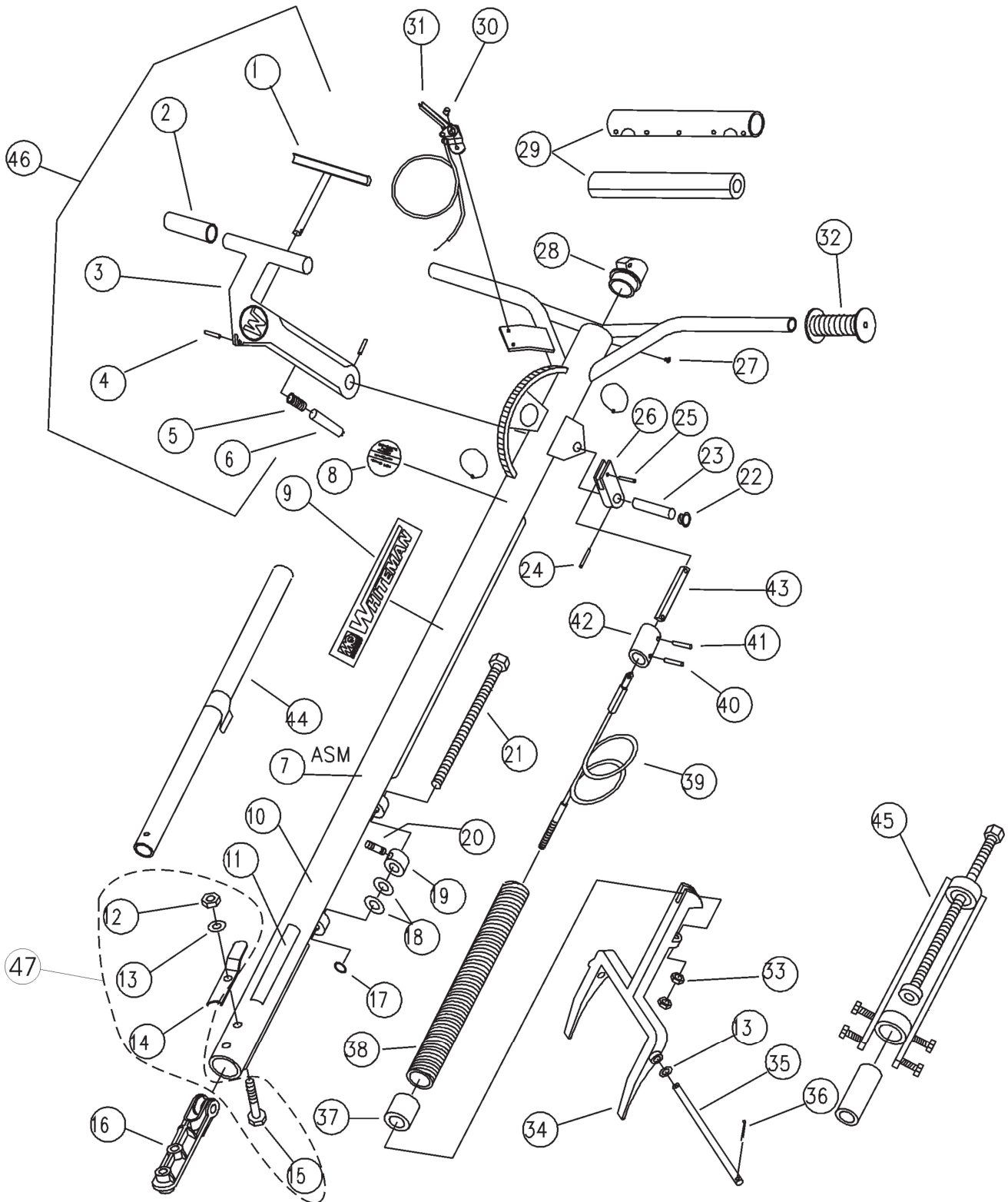
EPOXY/M SERIES TROWEL — STANDARD HANDLE ASSY.

STANDARD HANDLE ASSY.

<u>NO.</u>	<u>PART NO.</u>	<u>PART NAME</u>	<u>QTY.</u>	<u>REMARKS</u>
1	0189	HANDLE GRIP	2	
1	4634	HANDLE GRIP (ELECTRIC MODEL)	2	
2	1102	PLUG	1	
3	0304	RHMS 10-24X 1/4"	4	
4	1103	SAFETY SWITCH ASSY	1	
5	1101	HANDLE ONLY	1	
5	1907	HANDLE ONLY (ELECT. MODEL)	1	
5	9100	HANDLE ONLY EXPORT	1	
6	1100	HANDLE ASSY.	1 CONTACT UNIT SALES DEPT./ ACCESSORY ITEM
6	1921	HANDLE ASSY. ELECTRIC	1	
7	10133	LOCK NUT 3/8-16	2	
8	10136	FLAT WASHER 3/8"	4	
9	1117	SUPPORT BLOCK ASSY (PULLEY & PIN)	1	
10	0190 A	HOLDER	1	
11	1121	HHCS 3/8-16X2.3/4"	2	
12	1499	MQ-WHITEMAN DECAL	2	
13	1492	2.1/2" CHROME DECAL	1	
14	0302	THROTTLE CONTROL ASSY	1	
15#	0185	SHSS 3/8-16X3/8"	1	
16#	0280 B	HAND WHEEL	1	
17#	1478	TROWEL CONTROL SHAFT	1	
18#	0281	BEARING	1	
19#	1111	BEARING	1	
20#	3615	SET COLLAR (WITH SET SCREW)	1	
21	1113	SLIDE BLOCK & CABLE ASSY.	1 SLIDE BLOCK ONLY
22	1115	CONTROL CABLE ASSY.	1 47.25 INCHES LONG
22	9175	CONTROL CABLE ASSY.	1 EXPORT
23#	0786	BCHS 1/4-20X3/8" NY-LOC	2	
24	0786 A	SPACER	1	
25	1114	ROLL PIN 5/32 X1.3/8"	1	
26	1116	BRASS JAM NUT 5/16-18	2	
27	1150	YOKE ARM	1	
28	1151	ARM PIN	1	
29	0683	COTTER PIN 3/32X3/4"	2	
30*	2505	PIGTAIL ASSY (ELECT. MODEL)	1	
31*	01751	SWITCH BOX (ELECT. MODEL)	1	
32*	5044 A	FHMS 10-32X3/4" (ELECT. MODEL)	1	
33*	1268	MICRO SWITCH (ELECT. MODEL)	3	
34	1189	SWITCH CONDUIT ASSY (ELECT. MODEL) ...	1 INCLUDES ITEMS W/*
35		LIFT HANDLE ASSY.	1 NO LONGER AVAILABLE
36	1110	TROWEL CONTROL ASSY.	1 INCLUDES ITEMS W/#

EPOXY/M SERIESTROWEL — QUICK PITCH™ HANDLE ASSY.

QUICK PITCH™ T-HANDLE ASSY.



EPOXY/M SERIES TROWEL — QUICK PITCH™ HANDLE ASSY.

QUICK PITCH™ T-HANDLE ASSY.

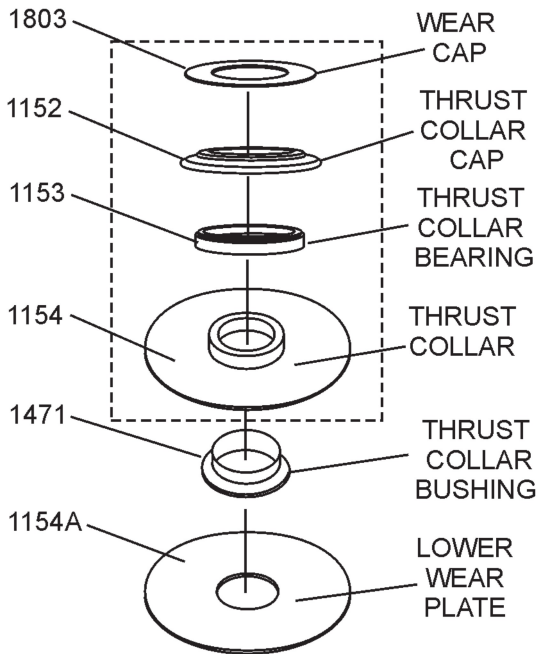
<u>NO.</u>	<u>PART NO.</u>	<u>PART NAME</u>	<u>QTY.</u>	<u>REMARKS</u>
1*	1746	QUICK PITCH TRIGGER	1	
2*	1724	CONTROL HANDLE GRIP	2	
3*	1707	CONTROL HANDLE	1	INCLUDES ITEMS W/%
3%	1739	BUSHING	2	
3%	1734	WARNING DECAL	1	
4*	1729	ROLL PIN 3/16X1.1/4"	3	
5*	1706	LATCH RETURN SPRING	1	
6*	1745	LATCHING SHAFT	1	
7	1700	HANDLE ASSY COMPLETE	1 CONTACT UNIT SALES DEPT./ACCESSORY ITEM
8	1758	FINISHER HANDLE PATENT DECAL	1	
9	1499	WHITEMAN DECAL	2	
10	1701	HANDLE ONLY STANDARD	1	
10	1721	HANDLE ONLY EXPORT	1	
11	1735	PRE-LOAD DECAL	1	
12 #	10133	LOCK NUT 3/8-16	2	
13 #	10136	FLAT WASHER 3/8"	4	
14 #	0190 A	HOLDER	1	
15 #	1121	HHCS 3/8-16X2.3/4"	2	
16	1117	SUPPORT BLOCK ASSY	1	
17	1737	SNAP RING	1	
18	1733	HARDENED WASHER 1/2"X1/32"	2	
19	1718	PRE-LOAD ADJUSTMENT NUT	1	
20	1732	PRE-LOAD ADJUSTMENT PIN	1	
21	1717	PRE-LOAD ADJUSTMENT SCREW	1	
22	1719	PIVOT PLATE BUSHING	2	
23	1711	CONTROL SHAFT	1	
24	4568	ROLL PIN 3/16"X1"	1	
25	1731	ROLL PIN 1/4"X3/4"	1	
26	1708	SLIDE CONTROL ARM	1	
27	1743	PHSTS 1/4X1/2"	1	
28	1727	SAFETY SWITCH ASSY	1	
29	1730	HANDLE PAD & COVER	1	
30	0304	RHMS 10-24X1/4"	2	
31	0302	THROTTLE CABLE ASSY	1	
32	0189	HANDLE GRIP	2	
33	1116	BRASS JAM NUT 5/16-18	2	
34	1150	YOKE ARM	1	
35	1151	YOKE PIN	1	
36	0683	COTTER PIN 3/32"X3/4"	2	
37	1716	PRE-LOAD ADJUSTMENT BLOCK	1 STANDARD
37	1741	PRE-LOAD ADJUSTMENT BLOCK	1 EXPORT
38	1715	CONTROL BALANCE SPRING	1	
39	1714	CONTROL CABLE ASSY	1 STANDARD
39	9174	CONTROL CABLE ASSY	1 EXPORT
40	1757	ROLL PIN 3/16"X1.3/8"	1	
41	1726	ROLL PIN 1/4"X1.3/8"	1	
42	1712	CONTROL CABLE SLIDE BLOCK	1	
43	1709	CONTROL ARM CONNECTOR	1	
44		LIFT HANDLE ASSY	1 NO LONGER AVAILABLE
45	1749	TOOL ASSY FOR UNLOADING SPRING	1	
46	1754	T-HANDLE ASSY	1 INCLUDES ITEMS W/ *
47	2811	KIT HANDLE HARDWARE	1 INCLUDES ITEMS W/ #

EPOXY/M SERIES TROWEL — THRUST BEARING KIT ASSY.

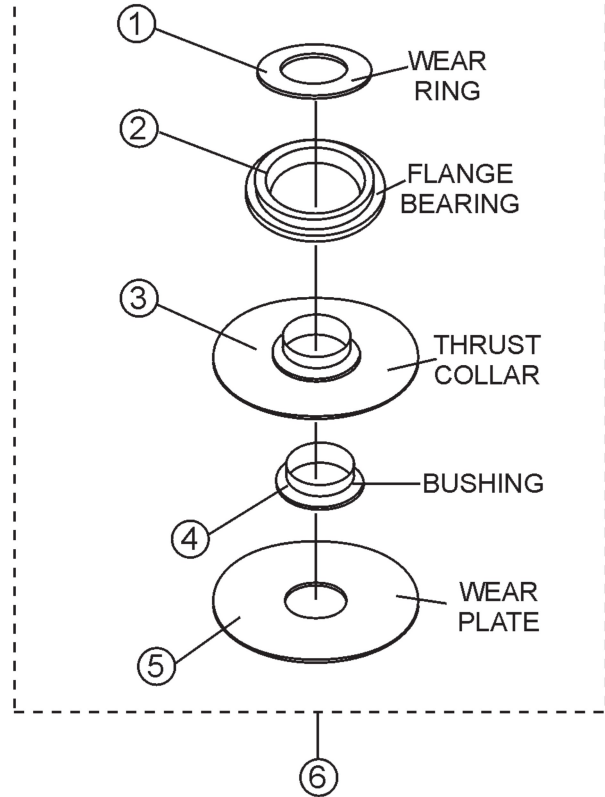
THRUST BEARING KIT ASSY.

THRUST BEARING KIT No. 10968

OLD STYLE THRUST BEARING NO LONGER USED



NEW STYLE THRUST BEARING



WHEN RE-ORDERING ***MUST*** USE
THRUST BEARING KIT P/N 10968.
OLD STYLE IS NOT AVAILABLE.

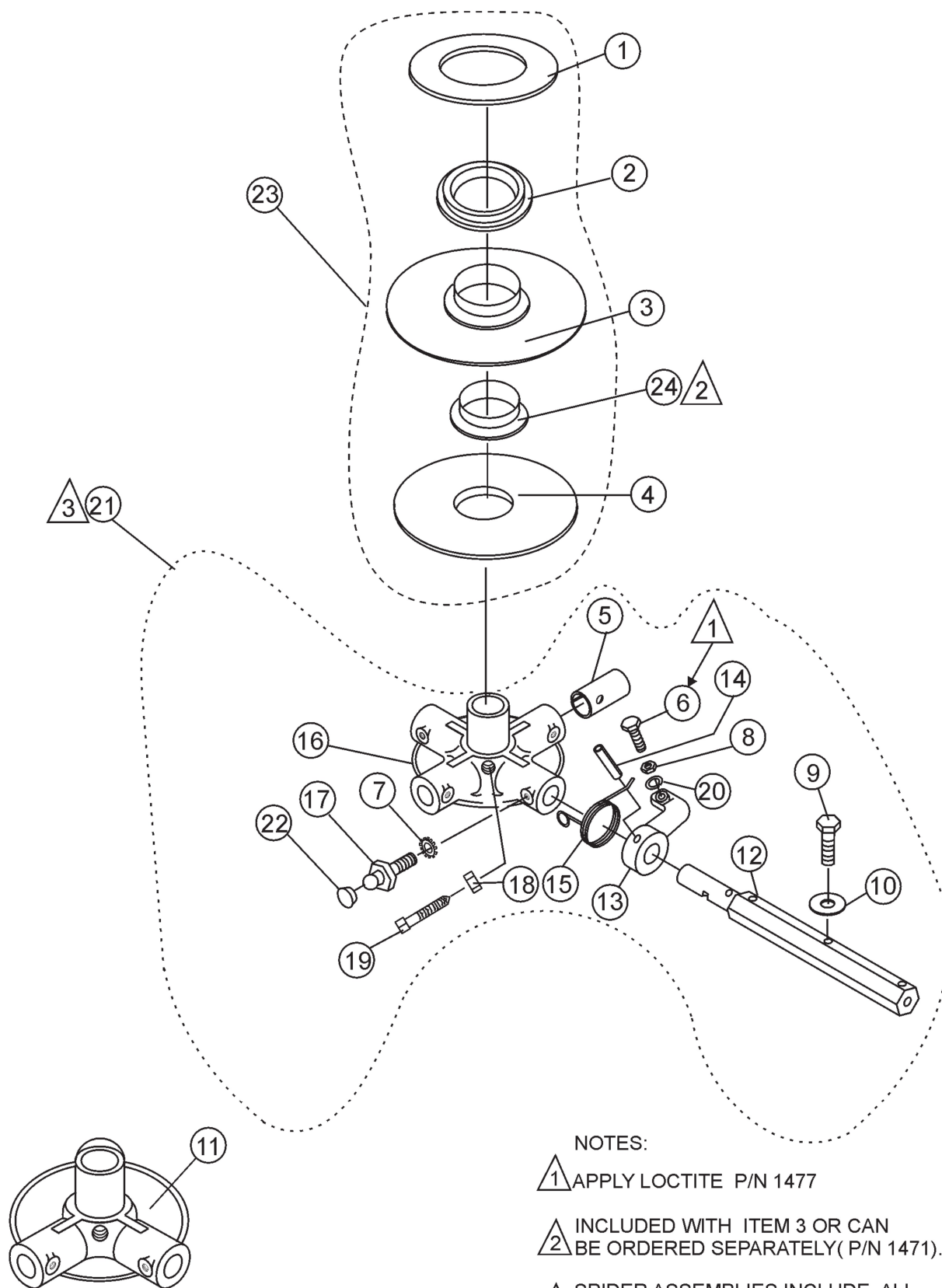
EPOXY/M SERIES TROWEL — THRUST BEARING KIT ASSY.

THRUST BEARING KIT ASSY.

<u>NO.</u>	<u>PART NO.</u>	<u>PART NAME</u>	<u>QTY.</u>	<u>REMARKS</u>
1*	12208	WEAR RING	1	
2*	12778	FLANGE BEARING	1	
3*	10793	THRUST COLLAR W/BUSHING	1	
4*	1471	BUSHING	1	
5*	1154 A	LOWER WEAR PLATE	1	
6	10968	THRUST BEARING KIT	1	INCLUDES ITEMS W/*

EPOXY/M SERIES TROWEL — 4-BLADE SPIDER ASSY.

4-BLADE SPIDER ASSY.



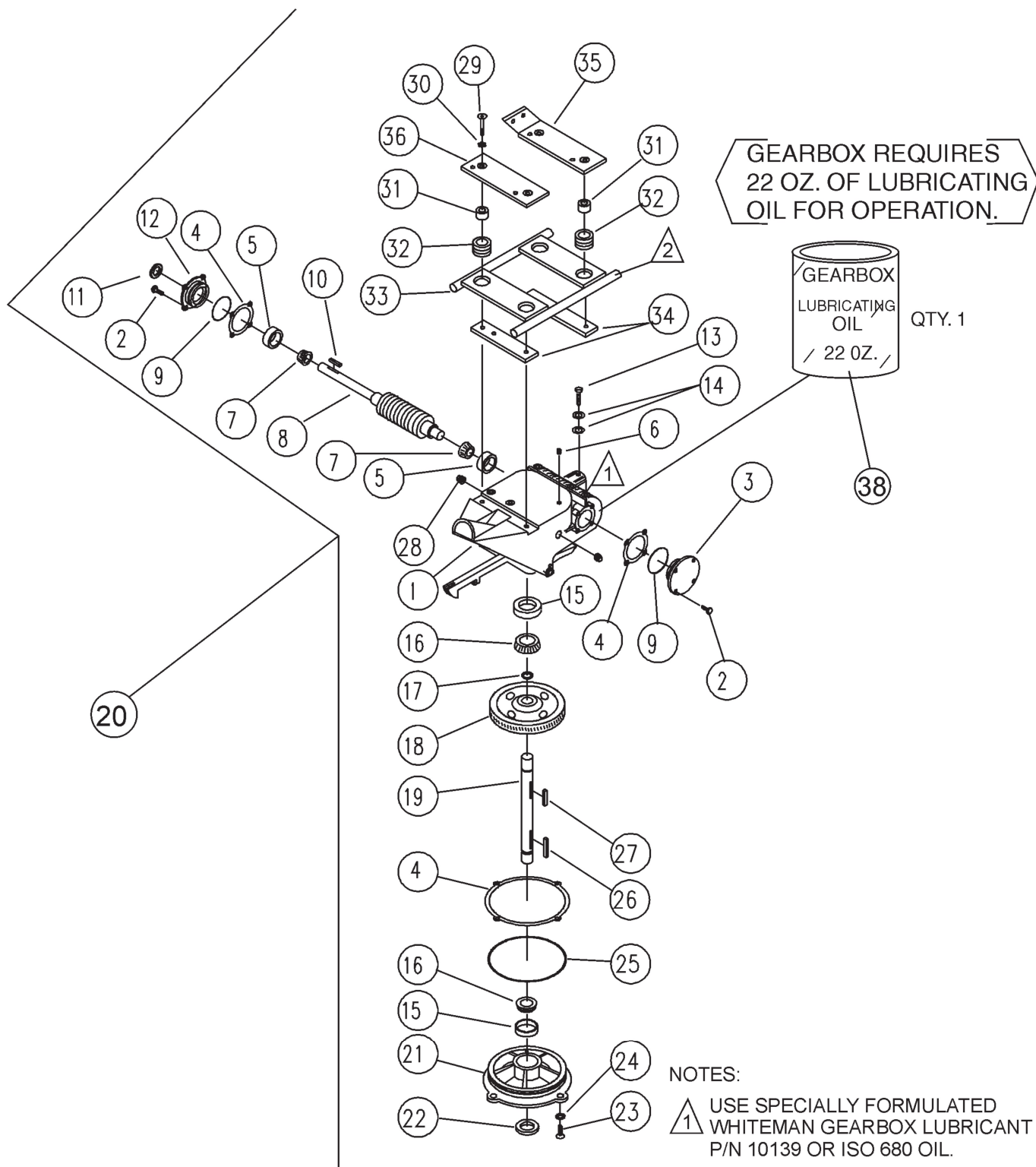
EPOXY/M SERIES TROWEL — 4-BLADE SPIDER ASSY.

4 BLADE SPIDER ASSY.

<u>NO.</u>	<u>PART NO.</u>	<u>PART NAME</u>	<u>QTY.</u>	<u>REMARKS</u>
1*	12208	WEAR RING	1	REPLACES P/N 1803
2*	12778	FLANGE BEARING	1	
3*	10793	THRUST COLLAR	1	INCLUDES ITEMS W/#
4*	1154 A	WEAR PLATE	1	
5\$	1157 A	BEARING INSERT	4	
6\$	0164 B	RADIUS HEAD 3/8- 16 x 1-1/4"	4	
7\$	1875	INT. SHKP. WASHER 3/8"	4	
8\$	1876	JAM NUT 3/8- 16	4	
9\$	0105	HHCS 5/16- 18 x 1-1/2"	8	
10\$	0161 C	LOCK WASHER 5/16"	8	
12	2830	TROWEL ARM 9-3/4"	4	
13\$	1163	TROWEL ARM LEVER	4	
14\$	4164	ROLL PIN 5/16 x 1-3/4"	4	
15\$	1316	SPRING (RIGHT HAND)	4	
16\$	1161	SPIDER PLATE ONLY	1	
17\$	1322	RETAINING SCREW ASSY.	4	
18\$	1456	HEX NUT 3/8-16	1	
19\$	12099	SHSS 3/8-16 x 1-1/2" CONE POINT	1	
20\$	0166 A	LOCK WASHER 3/8"	4	
21	1900	SPIDER PLATE ASSY. (4 BLADE/W 9-3/4" ARM)	1	INCLUDES ITEMS W/\$
22%\$	1162 A	LUBRA- CAP	4	
23	10968	THRUST BEARING KIT	1	INCLUDES ITEMS W/ *
24*#	1471	THRUST COLLAR BUSHING	1	

EPOXY/M SERIETROWEL — GEARBOX AND ENGINE MOUNTS ASSY.

GEARBOX AND ENGINE MOUNTS ASSY.



NOTES:

- ▲ 1 USE SPECIALLY FORMULATED WHITEMAN GEARBOX LUBRICANT P/N 10139 OR ISO 680 OIL.
- ▲ 2 SEE GUARD RING ASSY., PAGE 60, ITEM 1.

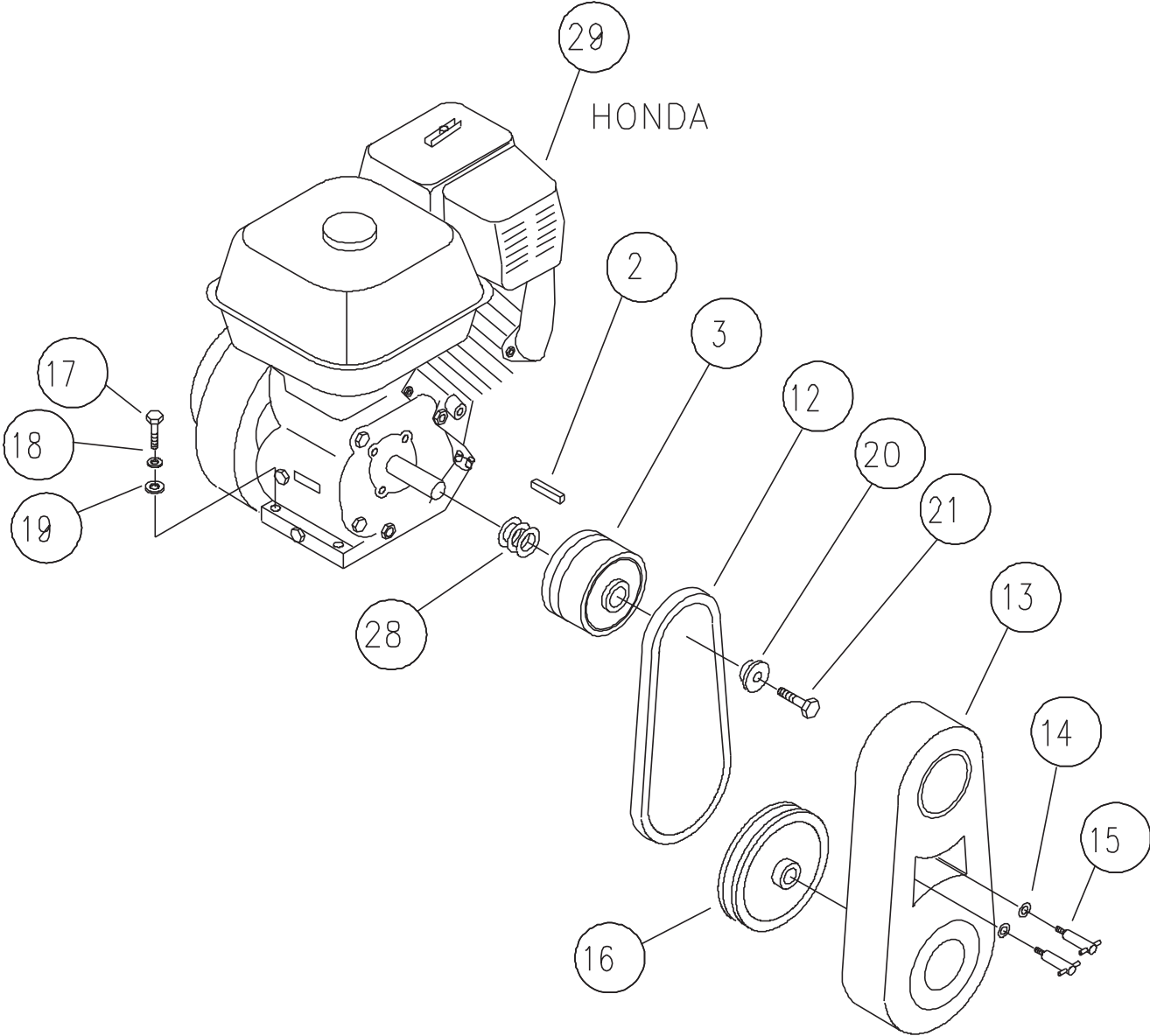
EPOXY/M SERIESTROWEL — GEARBOX AND ENGINE MOUNTS ASSY.

GEARBOX AND ENGINE MOUNTS ASSY.

<u>NO.</u>	<u>PART NO.</u>	<u>PART NAME</u>	<u>QTY.</u>	<u>REMARKS</u>
1%	1131	GEAR CASE	1	
2%	0131 A	HHCS 1/4-20X3/4"	8	
3%	1136	END CAP	1	
4	2614	GASKET KIT		INCLUDES ITEMS W/*
5#%	0735 A	BEARING CUP	2	
6%	1132	AIR VENT	1	
7#%	0735	BEARING CONE	2	
8%	1906	WORM & COUNTER SHAFT	1	
9*%	2308	O-RING	2	
10	0627	SQUARE KEY 3/16X3/16X1.1/4"	1	
11%	0753	OIL SEAL	1	
12%	1133	FLANGE	1	
13	0655	HHCS 5/16-18X3/4	1	
14	0300 B	FLAT WASHER 5/16"	1	
15#%	0232 A	BEARING CUP	2	
16#%	0232	BEARING CONE	2	
17%	1138	RETAINING RING	1	
18%	1905	BRONZE GEAR 1 1/8 50 TEETH	1	
19%	2440	MAINSHAFT	1	
20	1920	GEARBOX ASSY	1	INCLUDES ITEMS W/%
21%	1145	COVER PLATE	1	
22*%	0254	OIL SEAL	1	
23%	1146	FHCS 5/16-18X1"	4	
24%	10235	EXT. SHKP. WASHER 5/16"	4	
25*%	1143	SEAL RING	1	
26	1238	WOODRUFF KEY#25	1	
27%	1139	WOODRUFF KEY#21	1	
28%	0121 A	SQUARE HEAD PIPE PLUG 3/8"	1	
29	1481	FHCS 3/8-16X1.3/4"	4	
29	9154	HHCS 3/8-16X1.3/4" (ELECTRIC)	4	
30	1480	C'SINK SHKP WASHER 3/8"	4	
30	0166 A	LOCK WASHER 3/8" (ELECTRIC)	4	
31	1245	SPACER	4	
32	1247	GROMMET (STATIONARY RING ONLY)	4	
33	2274	STATIONARY GUARD RING	1	
34	1816	PLATE	2	
35	1955	FRONT ENGINE MOUNT (ELECTRIC)	1	
35	1954	FRONT ENGINE MOUNT (GAS)	1	
36	1943	REAR ENGINE MOUNT (ELECTRIC)	1	
36	1942	REAR ENGINE MOUNT (GAS)	1	
37	2616	BEARING REPLACEMENT KIT	1	INCLUDES ITEMS W/#
38	10139	GEAR BOX OIL (20 OZ.)		

EPOXY/M SERIESTROWEL — 5.0 HP HONDA ENGINE

5.0 HP HONDA ENGINE



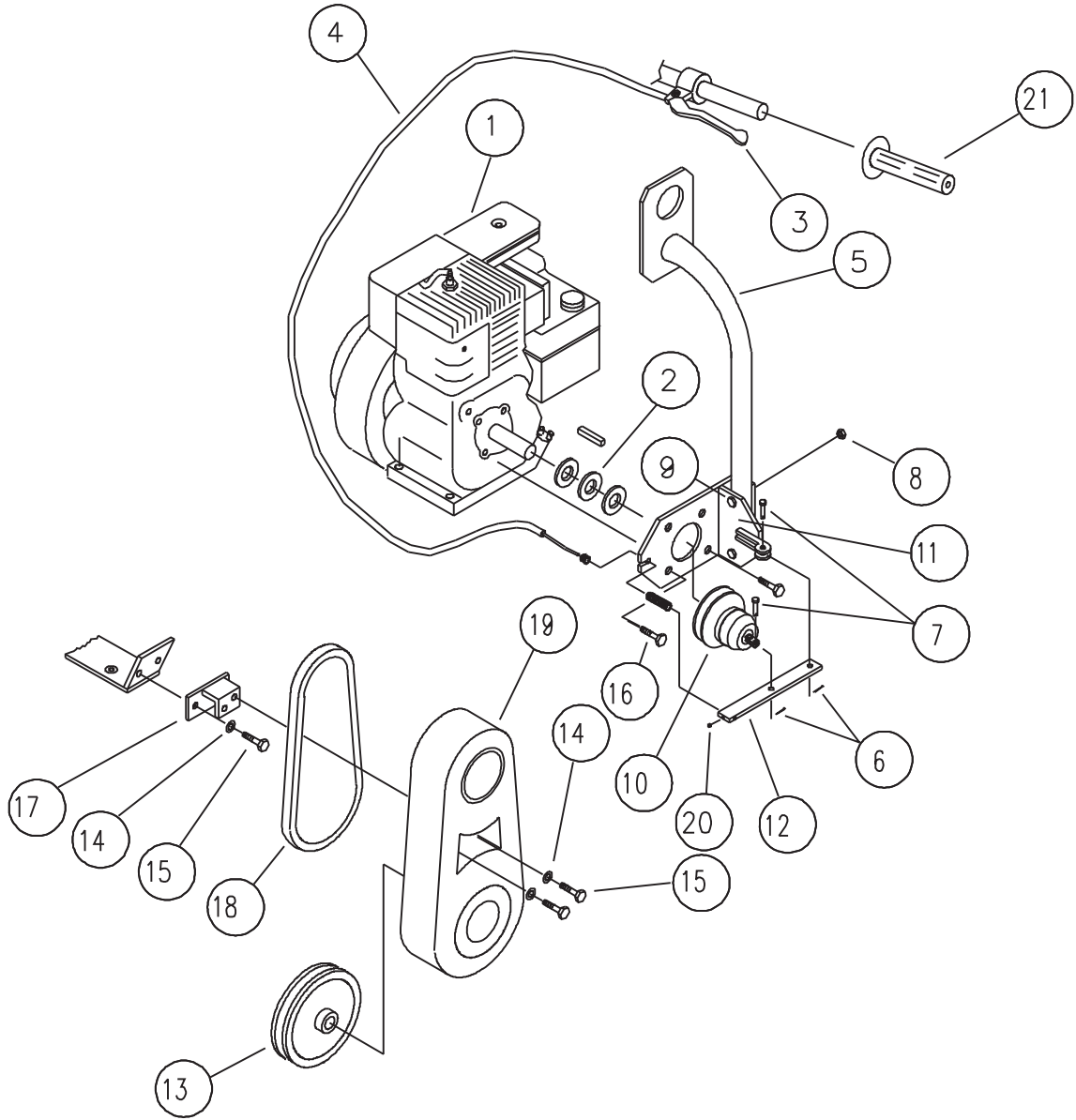
EPOXY/M SERIES TROWEL — 5.0 HP HONDA ENGINE

5.0 HP HONDA ENGINE

<u>NO.</u>	<u>PART NO.</u>	<u>PART NAME</u>	<u>QTY.</u>	<u>REMARKS</u>
2	0627	SQUARE KEY 3/16 X 3/16X1.1/4"	1	
3	0255	AUTOMATIC CLUTCH ASSY. 3/4" BORE ...	1	INCLUDES ITEMS W/*
4*	21307	SPINDLE 3/4" BORE	1	REPLACES P/N 0256
5*	0251	CLUTCH HOUSING DRUM	1	
6*	0458	CLUTCH HOUSING DRUM BUSHING	1	
7*	B1766	WEIGHT, CLUTCH	1	REPLACES P/N 0454
8*	0855	SPRING	1	
9*	0253	CLUTCH EXPANSION PLATE	1	
10*	1868	SHSS 3/8-24X3/4"	1	
11*	0456	BELT RUNNER (BEARING)	1	
12	1390	BELT (A26)	1	
13	1335	BELT GUARD	1	
14	0181 B	LOCK WASHER 1/4"	2	
15	2577	T-BOLT 1/4-20	2	
16	0740	PULLEY	1	
17	10181	HHCS 5/16-24 x 1-1/4"	4	
18	0161 C	LOCK WASHER 5/16"	4	
19	0300 B	FLAT WASHER 5/16"	4	
20	1406	RETAINER	1	
21	1403	FHSCS 5/16-24 x 1-1/4"	1	
24	1391	HHCS 5/16-24 x 1-1/2"	4	
25	2742	THROTTLE MOUNT	1	
27	1393	FHSCS 3/8-24 x 1-1/2" ROBIN	1	
28	0939	SPACER (LIFTING BALE OPTIONAL)	3	
29	1386	ENGINE 5 HP HONDA, GX160K1QX2	1	

EPOXY/M SERIES TROWEL — HAND CLUTCH ASSY. - S/N 42036 AND BELOW

HAND CLUTCH ASSY.-S/N 42036 AND BELOW



S.N. 42036 AND BELOW

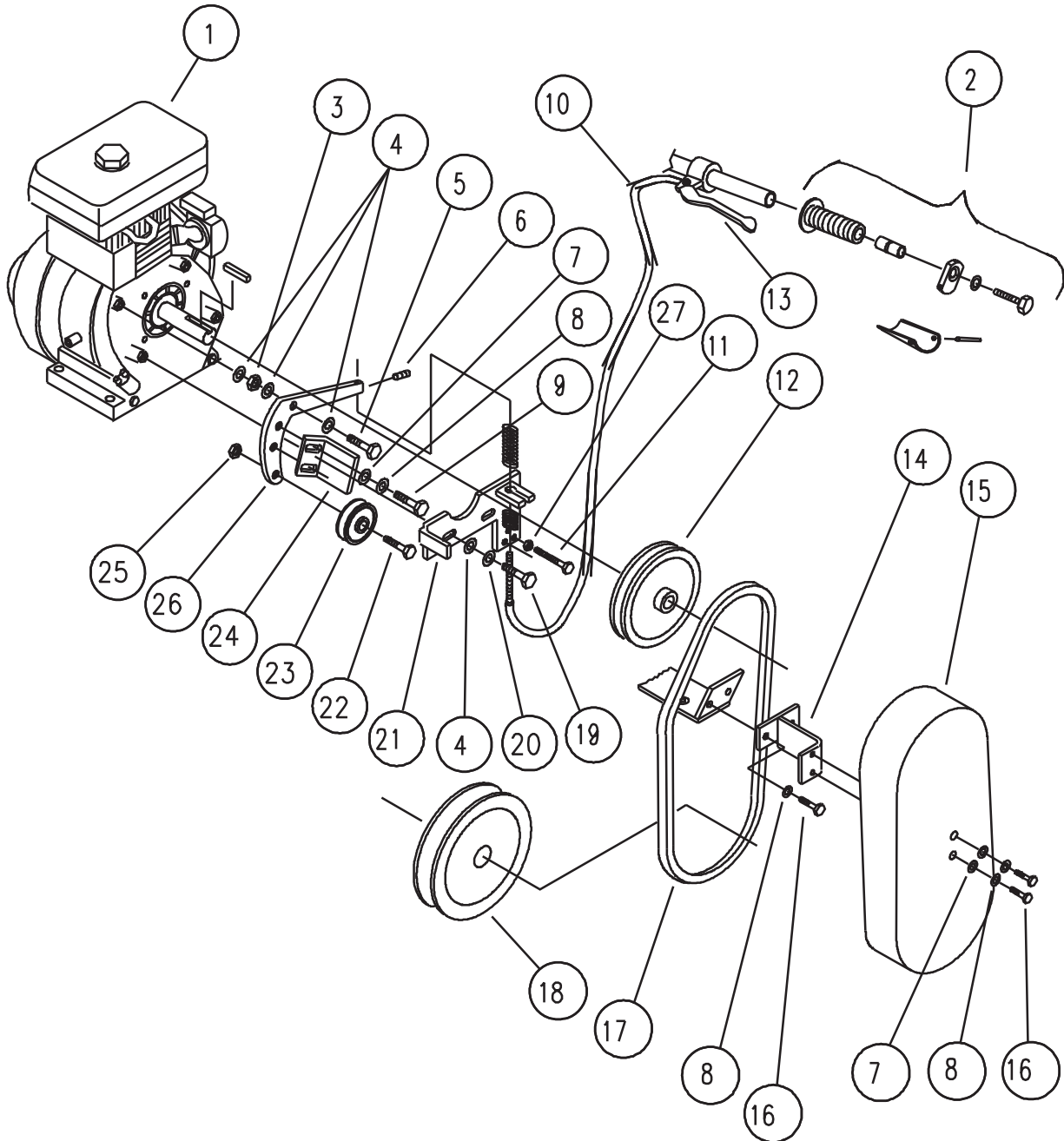
EPOXY/M SERIESTROWEL — HAND CLUTCH ASSY. - S/N 42036 AND BELOW

HAND CLUTCH ASSY.-S/N 42036 AND BELOW

<u>NO.</u>	<u>PART NO.</u>	<u>PART NAME</u>	<u>QTY.</u>	<u>REMARKS</u>
1		ENGINE 5HP HONDA	1	
2	0939	SPACER	3	
3	1512	HAND CLUTCH HAND LEVER	1	
4	10086	HAND CLUTCH CABLE ASSY	1	
5	C8202	LIFTING BALE ASSY	1	
6	5117	COTTER PIN 1/16"X1/2"	2	
7	5133	CLEVIS PIN 1/4"X7/8"	2	
8	1063	LOCK NUT 3/8-24	2	
9	0478	HHCS 3/8-24X2.1/4"	2	
10	2805	HAND CLUTCH 3/4" BORE	1	
11	10102	LIFT BRACKET PLATE	1	
12	10096	CLUTCH ARM	1	
13	0740	PULLEY	1	
14	0181 B	LOCK WASHER 1/4"	4	
15	4514	HHCS 1/4-20X5/8"	4	
16	1847	FHSCS 5/16-24X3/4"	4	
17	2865	BELT GUARD MOUNT	1	
18	1390	BELT (A26)	1	
19	2491	BELT GUARD	1	
20	10450	SHSS 10-32X1/4"	1	
21	2267	GRIP	1	

EPOXY/M SERIETROWEL — HAND CLUTCH ASSY. - S/N 42037 AND ABOVE

HAND CLUTCH ASSY.-S/N LJ42037 AND ABOVE



S.N. 42037 AND ABOVE

NOTES:

△ SEE GEARBOX AND ENGINE MOUNTS ITEM 36 PAGE 50.

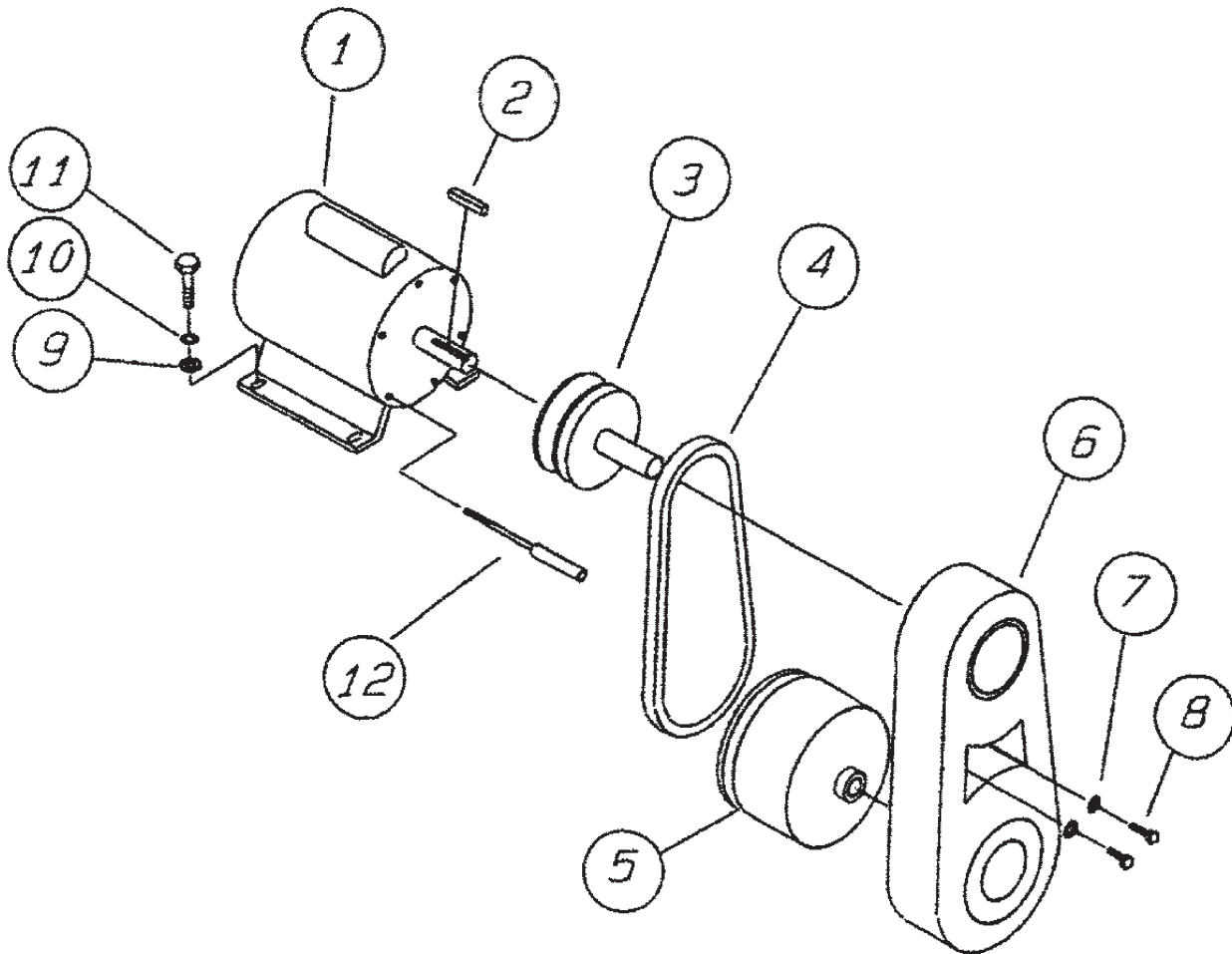
EPOXY/M SERIES TROWEL — HAND CLUTCH ASSY. - S/N 42037 AND ABOVE

HAND CLUTCH ASSY.-S/N 42037 AND ABOVE

<u>NO.</u>	<u>PART NO.</u>	<u>PART NAME</u>	<u>QTY.</u>	<u>REMARKS</u>
1		ENGINE 5 HP HONDA	1	
2	10036	CLUTCH ASSIST HANDLE ASSY	1	
3	6014 C	HEX FINISH NUT 5/16-24	1	
4	0300 B	FLAT WASHER 5/16"	5	
5	10181	HHCS 5/16-24X1.1/4"	1	
6	10450	SHSS 10-32X1/4"	1	
7	0948	FLAT WASHER 1/4"	4	
8	0181 B	LOCK WASHER 1/4"	6	
9	1579	HHCS 1/4-20 x 1/2"	2	
10	10936	HAND CLUTCH CABLE ASSY	1	
11	4538	HHCS 1/4-20X2.1/2"	1	
12	11043	PULLEY,ENGINE	1	
13	1512	HAND CLUTCH CONTROL LEVER	1	
14	10831	BELT GUARD MOUNT	1	
15	11046	BELT GUARD	1	
16	0730	HHCS 1/4-20X1"	4	
17	11044	BELT,(A28)	1	
18	11049	PULLEY,DRIVEN	1	
19	10229	HHCS 5/16-24X1"	2	
20	0161 C	LOCK WASHER 5/16"	2	
21	10897	CLUTCH BRACKET.	1	
22	1284	HHCS 3/8-16X1.1/2"	1	
23	10935	PULLEY,IDLER	1	
24	10740	BELT TENSIONING SHOE	1	
25	1456	HEX FINISH NUT 3/8-16	1	
26	10820	CLUTCH IDLER LEVER	1	
27	0949	HEX FINISH NUT 1/4-20	1	

EPOXY/M SERIES TROWEL — ELECTRIC MOTOR ASSY.

ELECTRIC MOTOR ASSY.



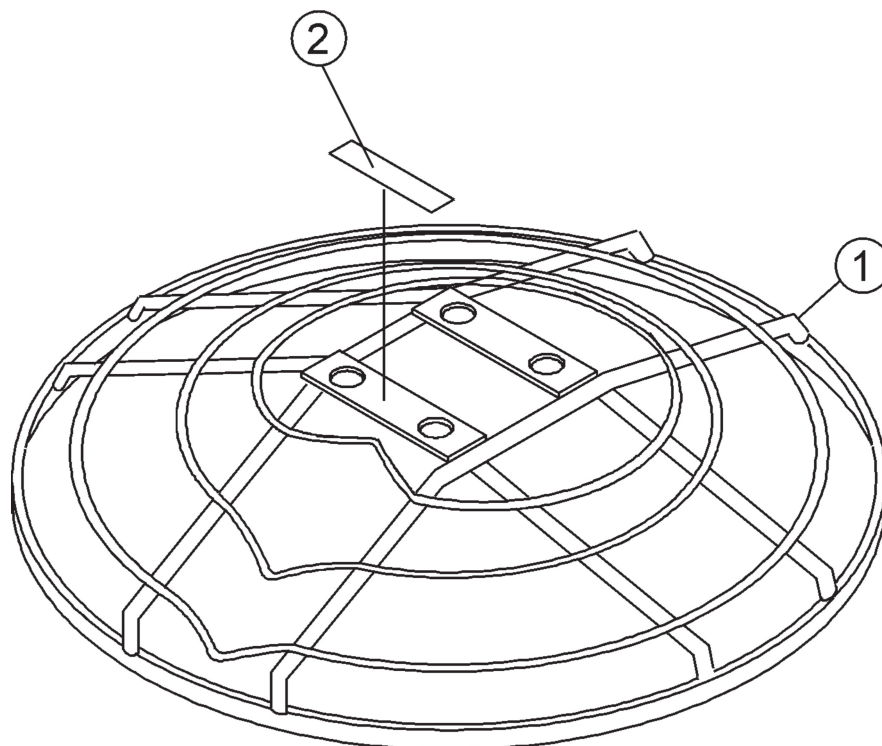
EPOXY/M SERIES TROWEL — ELECTRIC MOTOR ASSY.

ELECTRIC MOTOR ASSY.

<u>NO.</u>	<u>PART NO.</u>	<u>PART NAME</u>	<u>QTY.</u>	<u>REMARKS</u>
1	1908	ELECTRIC MOTOR 1HP, 60 CYCLE	1	
1	2749	ELECTRIC MOTOR 1HP, 50 CYCLE	1	
2	0627	SQUARE KEY 3/16X3/16X1.1/4"	1	
3	1909	CLUTCH ASM 5/8" BORE	1	
4	1922	BELT A22	1	
5	1910	PULLEY	1	
6	1923	BELT GUARD	1	
7	0181B	LOCK WASHER 1/4"	2	
8	4514	HHCS1/4-20X5/8"	2	
9	0300B	FLAT WASHER 5/16"	4	
10	0161C	LOCK WASHER 5/16"	4	
11	4683	HHCS 5/16-18X5/8"	4	
12	2128	TORQUE ANCHOR ROD	1	

EPOXY/M SERIES TROWEL — GUARD RING ASSY.

GUARD RING ASSY.



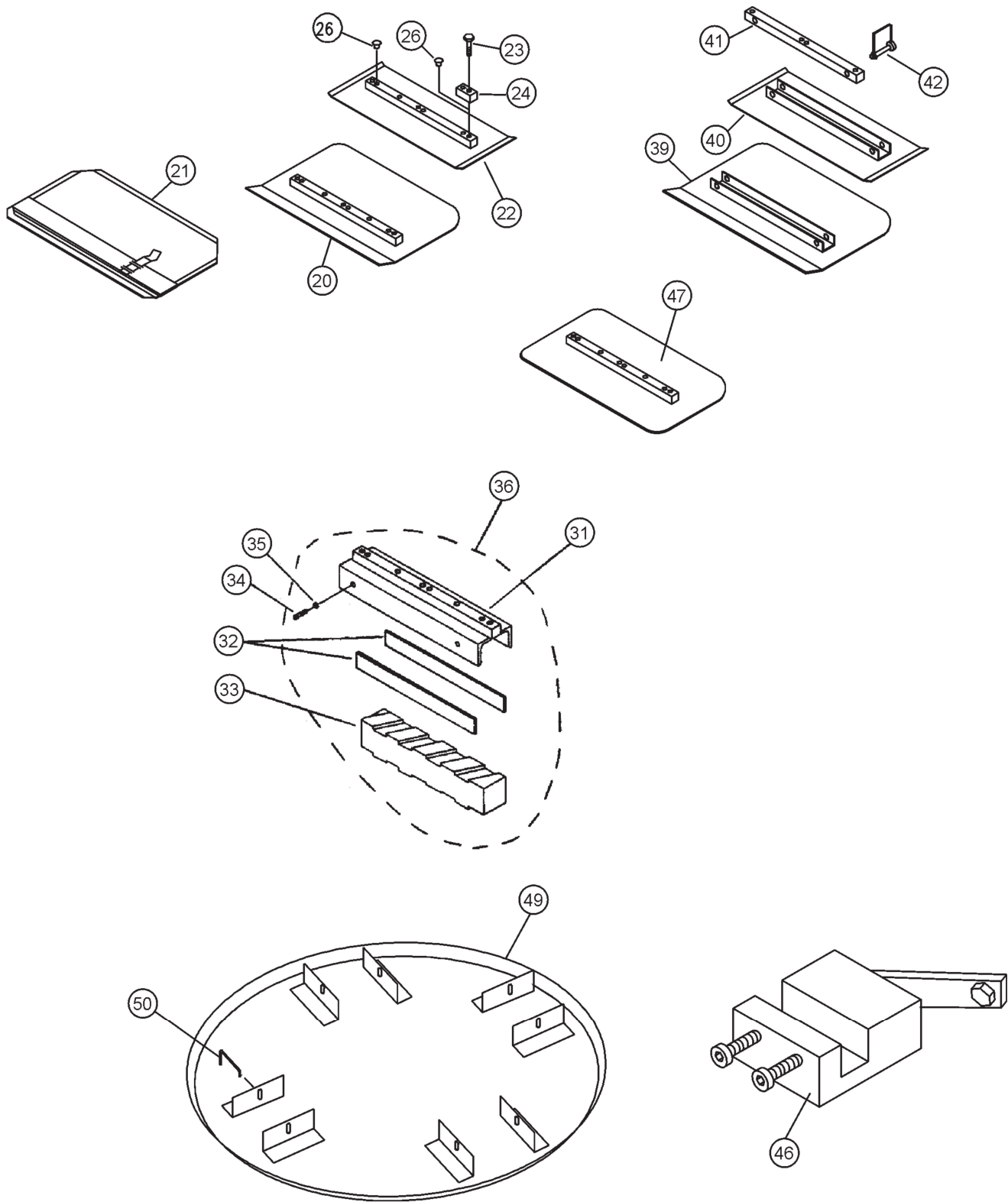
EPOXY/M SERIES TROWEL — GUARD RING ASSY.

GUARD RING ASSY.

<u>NO.</u>	<u>PART NO.</u>	<u>PART NAME</u>	<u>QTY.</u>	<u>REMARKS</u>
1	2278	STATIONARY GUARD RING	1	
2	1940	DECAL	1	

EPOXYM SERIETROWEL — BLADES & ADJUSTMENT FIXTURE ASSY. (OPTIONS)

BLADES & ADJUSTMENT FIXTURE ASSY.



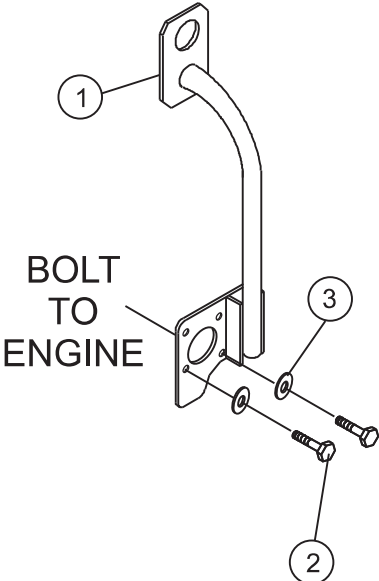
EPOXY/M SERIESTROWEL — BLADES & ADJUSTMENT FIXTURE ASSY. (OPTIONS)

BLADES & ADJUSTMENT FIXTURE ASSY.

<u>NO.</u>	<u>PART NO.</u>	<u>PART NAME</u>	<u>QTY.</u>	<u>REMARKS</u>
20		COMBO FLOAT & FINISH BLADE	4	CONTACT UNIT SALES DEPT./ACCESSORY ITEM
20		ENDURO COMBO FLOAT & FINISH BLADE	4	CONTACT UNIT SALES DEPT./ACCESSORY ITEM
21		FLOAT BLADE	4	CONTACT UNIT SALES DEPT./ACCESSORY ITEM
22		FINISH BLADE	4	CONTACT UNIT SALES DEPT./ACCESSORY ITEM
22		ENDURO FINISH BLADE W/ROTATING	4	CONTACT UNIT SALES DEPT./ACCESSORY ITEM
23	0202	HHCS 5/16-18X1" RING	4	
25	02274	GUARD RING	1	
26	1434	TROWEL LUG (FINISH BLADE ONLY)	4	
28	1869	SNAP PIN 1/4 X 1.3/4"	8	
29	1940	GUARD RING DECAL	1	
30	1817	FIELD TROWEL ARM ADJUSTER ASSY.	1	
31*	0987	GRINDING ATTACHMENT HOLDER	1	
32*	0988	LOCKING PLATE	2	
33*	S986	GRINDING ATTACHMENT STONE	1	
34*	0414	SHSS 5/16-18 X 3/4"	4	
35*	0106	JAM NUT 5/16-18 X 3/4"	4	
36	0985	GRINDING ATTACHMENT ASSY.	1	CONTACT UNIT SALES DEPT./ACCESSORY ITEM INCLUDES ITEMS W/*
39	1871	UNIVERSAL FIT COMBINATION BLADE	4	OPTIONAL
39	101871	ENDURO UNIVERSAL FIT COMBO BLADE	4	OPTIONAL
40	1872	UNIVERSAL FIT FINISH BLADE	4	OPTIONAL
40	101872	ENDURO FIT FINISH BLADE	4	OPTIONAL
41	1857	UNIVERSAL FIT MOUNTING BAR	4	OPTIONAL
42	2870	FLOAT DISK	1	
43	2935	FLOAT DISK LATCH PIN	4	

EPOXY/M SERIES TROWEL — LIFTING BALE ASSY. (OPTION)

LIFTING BALE ASSY. (OPTION)



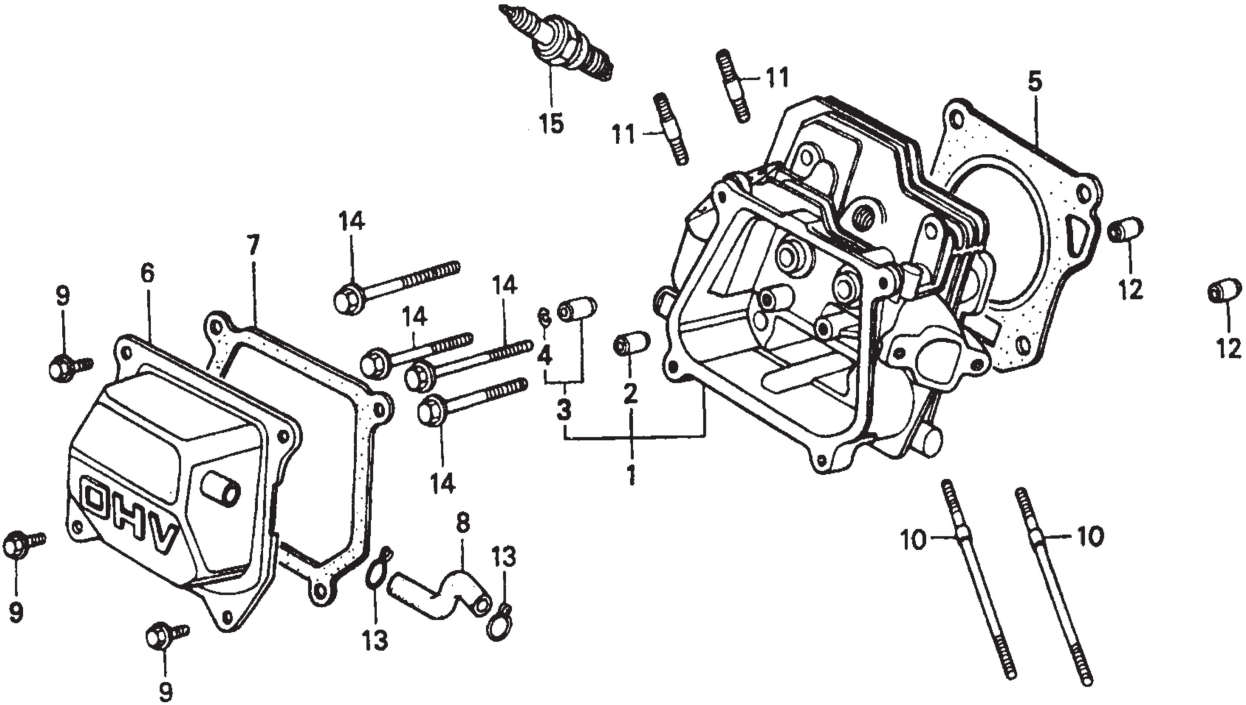
EPOXY/M SERIES TROWEL — LIFTING BALE ASSY. (OPTION)

LIFTING BALE ASSY. (OPTION)

<u>NO.</u>	<u>PART NO.</u>	<u>PART NAME</u>	<u>QTY.</u>	<u>REMARKS</u>
1		LIFTING BALE ASSY	1	CONTACT UNIT SALES DEPT./ACCESSORY ITEM
2	10229	HHCS 5/16-24X1"	4	
3	0161 C	LOCK WASHER 5/16"	4	
4		LIFTING BALE ASSY	1	CONTACT UNIT SALES DEPT./ACCESSORY ITEM

HONDA GX160K1QA2 ENGINE — CYLINDER HEAD ASSY.

CYLINDER HEAD ASSY.



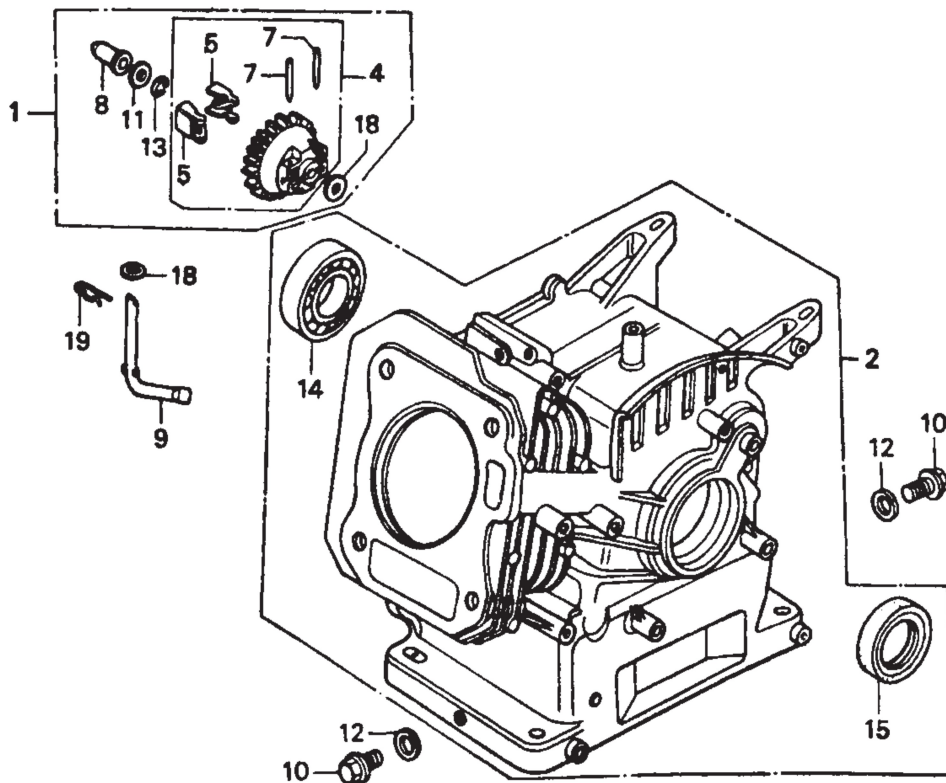
HONDA GX160K1QA2 ENGINE — CYLINDER HEAD ASSY.

CYLINDER HEAD ASSY.

<u>NO</u>	<u>PART NO</u>	<u>PART NAME</u>	<u>QTY.</u>	<u>REMARKS</u>
1	12210ZH8000	CYLINDER HEAD, COMP	1	INCLUDES ITEMS W/*
2*	12204ZE1306	GUIDE, IN. VALVE (OVER SIZE)	1	
3*	12205ZE1315	GUIDE, EX. VALVE (OS)	1	
4	12216ZE5300	CLIP, VALVE GUIDE	1	
5	12251ZF1800	GASKET, CYLINDER HEAD	1	
6	12310ZE1010	COVER COMP, HEAD	1	
7	12391ZE1000	GASKET, CYLINDER HEAD COVER	1	
8	15721ZH8000	TUBE, BREATHER	1	
9	90016ZE1000	BOLT, FLANGE 6X13	4	
10	90043ZE1020	BOLT, STUD 6X109	2	
11	90047ZE1000	BOLT, STUD 8X32	2	
12	9430110160	PIN A, DOWEL 10X16	2	
14	957230806000	BOLT, FLANGE 8X60	4	
15	9807956846	PLUG, SPARK (BPR6ES NGK)	1	
	9807956855	PLUG, SPARK (W20EPR-U ND)	1	

HONDA GX160K1QA2 ENGINE — CYLINDER BARREL ASSY.

CYLINDER BARREL ASSY.



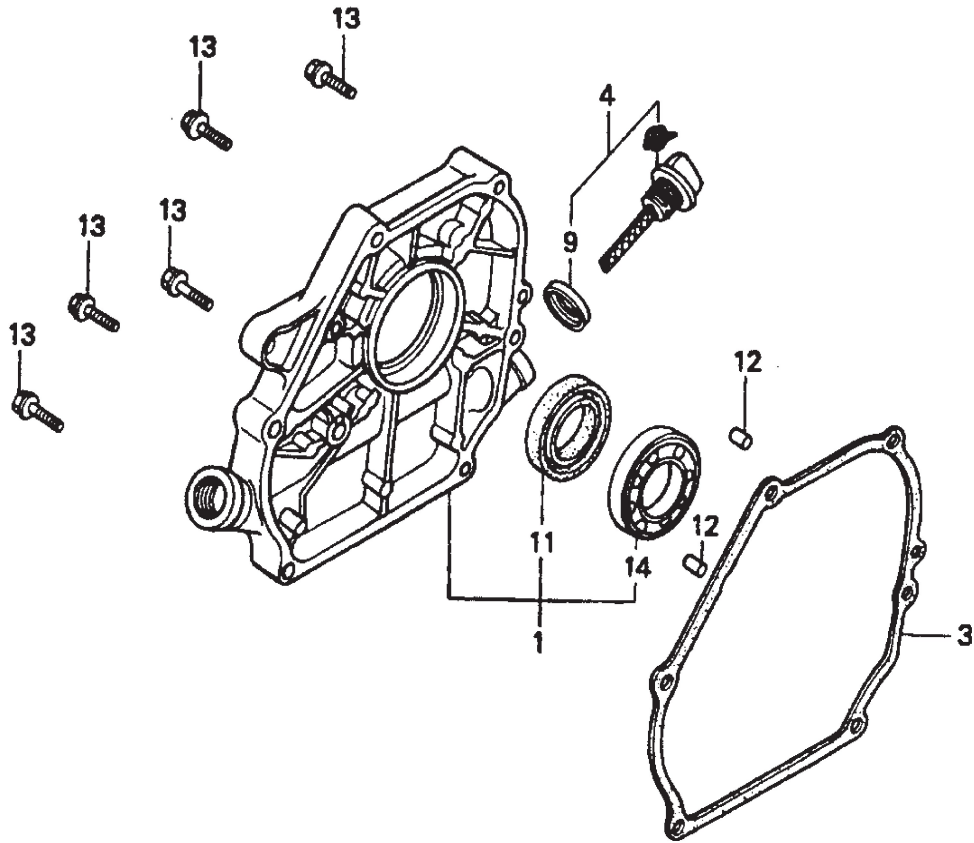
HONDA GX160K1QA2 ENGINE — CYLINDER BARREL ASSY.

CYLINDER BARREL ASSY.

<u>NO</u>	<u>PART NO</u>	<u>PART NAME</u>	<u>QTY.</u>	<u>REMARKS</u>
1	06165ZE1000	GOVERNOR KIT	1	INCLUDES ITEMS W/*
2	12000ZH8010	CYLINDER BARREL ASSY.	1	INCLUDES ITEMS W%
4*	16510ZE1000	GOVERNOR ASSY.	1	INCLUDES ITEMS/W#
5*#	16511ZE1000	WEIGHT, GOVERNOR	2	
7*#	16513ZE1000	PIN, GOVERNOR WEIGHT	2	
8*	16531ZE1000	SLIDER, GOVERNOR	1	
9	16541ZE1000	SHAFT, GOVERNOR ARM	1	
10	90131ZE1000	BOLT, DRAIN PLUG	2	
11*	90451ZE1000	WASHER, THRUST 6MM	1	
12	90601ZE1000	WASHER, DRAIN PLUG 10.2MM	2	
13*	90602ZE1000	CLIP, GOVERNOR HOLDER	1	
14%	91001ZF1003	BEARING, RADIAL BALL (6205)	1	
15%	91202883005	OIL SEAL 25X41X6	1	
18*	9410106800	WASHER, PLAIN, 6MM	2	
19	9425108000	PIN, LOCK, 8MM	1	

HONDA GX160K1QA2 ENGINE — CRANKCASE COVER ASSY.

CRANKCASE COVER ASSY.



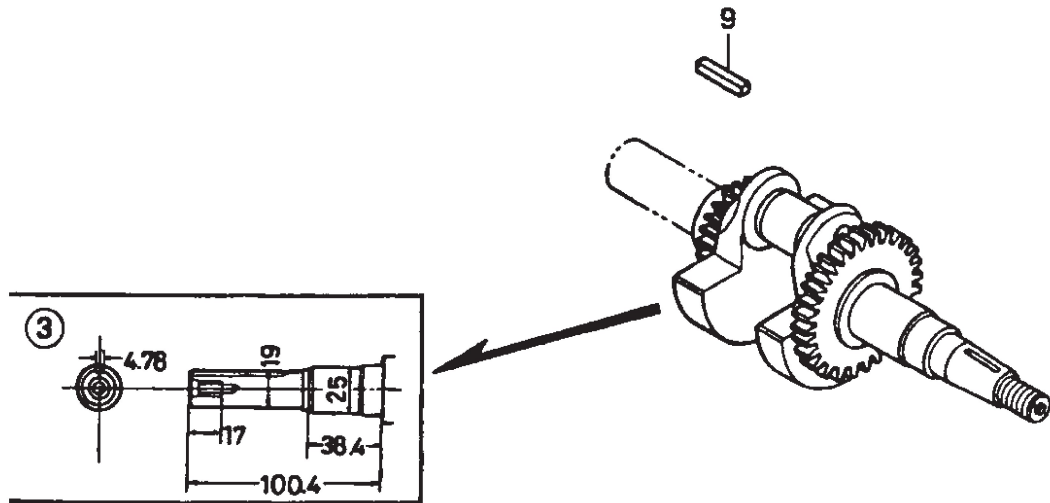
HONDA GX160K1QA2 ENGINE — CRANKCASE COVER ASSY.

CRANKCASE COVER ASSY.

<u>NO</u>	<u>PART NO</u>	<u>PART NAME</u>	<u>QTY.</u>	<u>REMARKS</u>
1	11300ZE1641	COVER ASSY, CRANKCASE (U TYPE)	1	INCLUDES ITEMS W/*
3	11381ZH8801	GASKET CASE COVER	1	
4	15600ZE1003	CAP ASSY, OIL FILLER	1	INCLUDES ITEMS W/#
5	15600ZG4003	CAP ASSY, OIL FILLER	1	INCLUDES ITEMS W/%
7	15620ZG4910	CAP, OIL FILLER	1	
8	15621896010	GASKET, OIL FILLER CAP	1	
9#	15625ZE1000	GASKET, OIL FILLER CAP	1	
10%	15625ZE1003	GASKET, OIL FILLER CAP	1	
11*	91202883005	OIL SEAL, 25X41X6	1	
12	9430108140	PIN A, DOWEL 8X14	2	
13	957010803200	BOLT, FLANGE 8X32	6	
14*	961006205010	BEARING, RADIAL BALL, 6205	1	

HONDA GX160K1QA2 ENGINE — CRANKSHAFT ASSY.

CRANKSHAFT ASSY.



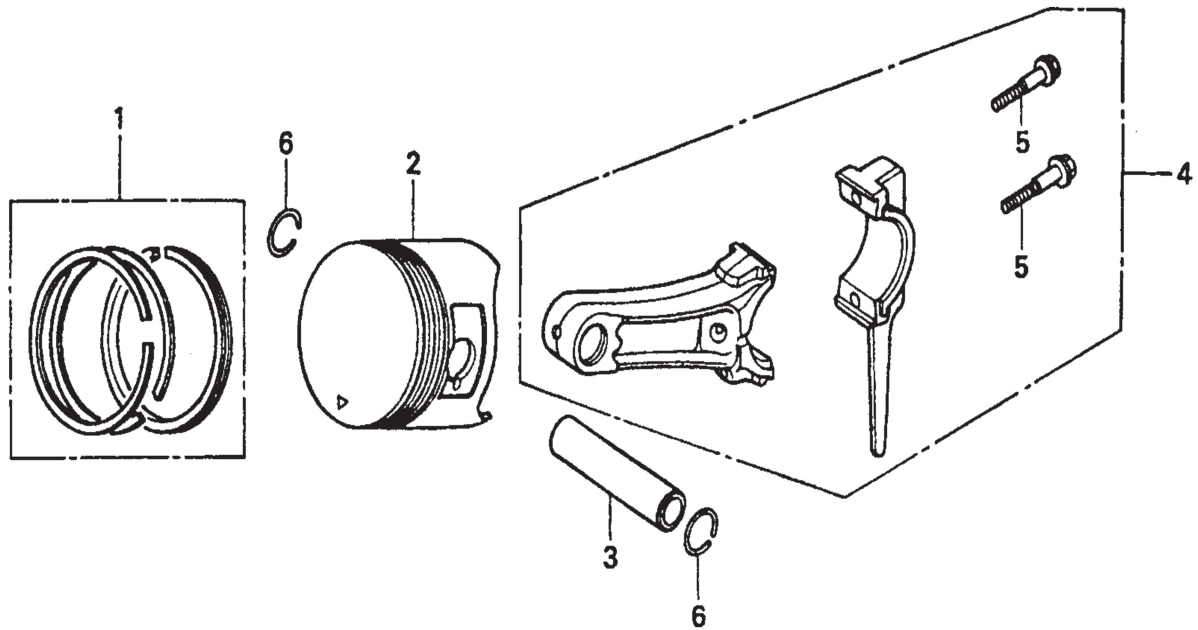
HONDA GX160K1QA2 ENGINE — CRANKSHAFT ASSY.

CRANKSHAFT ASSY.

<u>NO</u>	<u>PART NO</u>	<u>PART NAME</u>	<u>QTY.</u>	<u>REMARKS</u>
3	13310ZE1601	CRANKSHAFT COMP.,(Q TYPE)	1	
9	90745ZE1600	KEY (4.78X4.78X38)	1	

HONDA GX160K1QA2 ENGINE — PISTON RINGS ASSY.

PISTON ASSY.



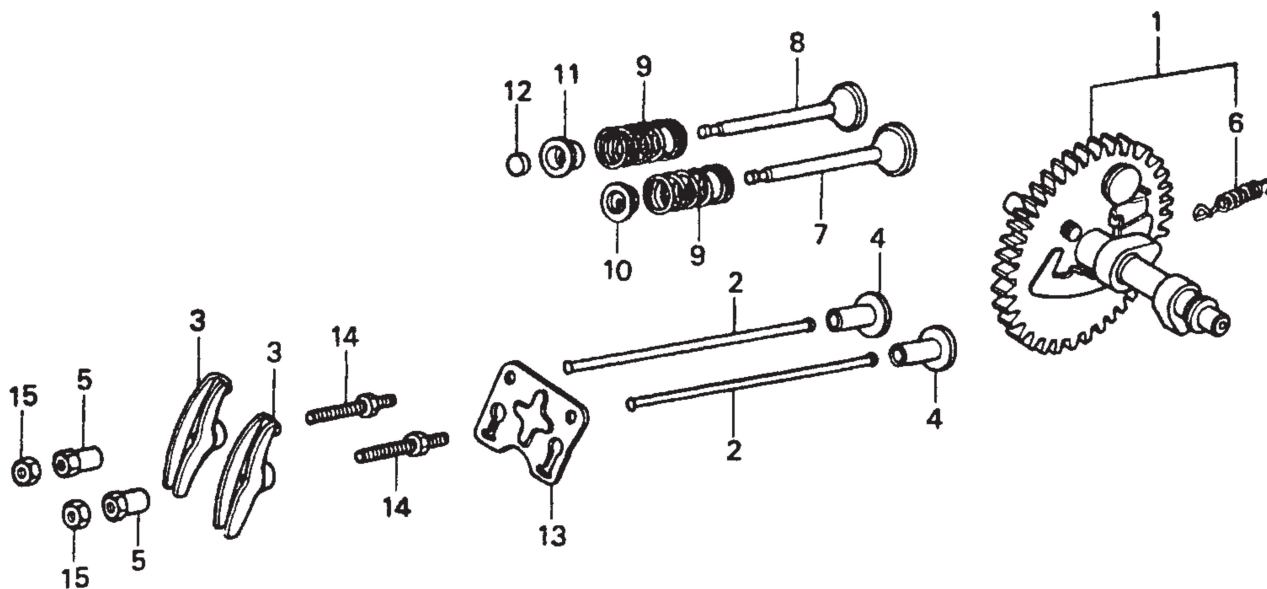
HONDA GX160K1QA2 ENGINE — PISTON RINGS ASSY.

PISTON RINGS ASSY.

<u>NO</u>	<u>PART NO</u>	<u>PART NAME</u>	<u>QTY.</u>	<u>REMARKS</u>
1	13010ZF1023	RING SET, PISTON (STD)	1	
	13011ZF1023	RING SET, PISTON (0.25)	1	
	13012ZF1023	RING SET, PISTON (0.50)	1	
	13013ZF1023	RING SET, PISTON (0.75)	1	
2	13101ZH8000	PISTON (STD)	1	
	13102ZH8000	PISTON (0.25)	1	
	13103ZH8000	PISTON (0.50)	1	
	13104ZH8000	PISTON (0.75)	1	
3	13111ZE1000	PIN, PISTON	1	
4	132A0ZE1000	ROD ASSY, CONNECTING	1	INCLUDES ITEMS W/★
5★	90001ZE1000	BOLT, CONNECTING ROD	2	
6	90551ZE1000	CLIP, PISTON PIN, 18MM	2	

HONDA GX160K1QA2 ENGINE — CAMSHAFT ASSY.

CAMSHAFT ASSY.



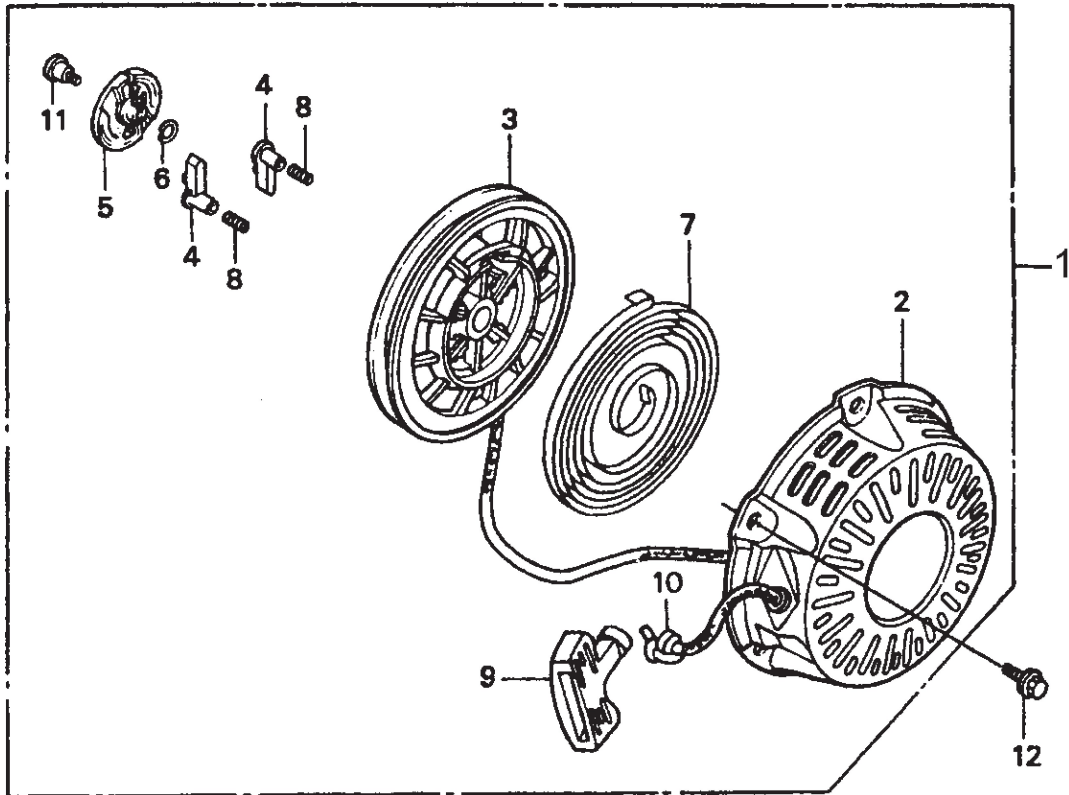
HONDA GX160K1QA2 ENGINE — CAMSHAFT ASSY.

CAMSHAFT ASSY.

<u>NO</u>	<u>PART NO</u>	<u>PART NAME</u>	<u>QTY.</u>	<u>REMARKS</u>
1	14100ZE1812	CAMSHAFT ASSY.	1	INCLUDES ITEMS W/★
2	14410ZE1010	ROD, PUSH	2	
3	14431ZE1000	ARM, VALVE ROCKER	2	
4	14441ZE1010	LIFTER, VALVE	2	
5	14451ZE1013	PIVOT, ROCKER ARM	2	
6★	14568ZE1000	SPRING, WEIGHT RETURN	1	
7	14711ZF1000	VALVE, IN.	1	
8	14721ZF1000	VALVE, EX.	1	
9	14751ZF1000	SPRING, VALVE	2	
10	14771ZE1000	RETAINER, IN. VALVE SPRING	1	
11	14773ZE1000	RETAINER, EX. VALVE SPRING	1	
12	14781ZE1000	ROTATOR, VALVE	1	
13	14791ZE1010	PLATE, PUSH ROD GUIDE	1	
14	90012ZE0010	BOLT, PIVOT	2	
15	90206ZE1000	NUT, PIVOT ADJUSTING	2	

HONDA GX160K1QA2 ENGINE — RECOIL STARTER ASSY.

RECOIL STARTER ASSY.



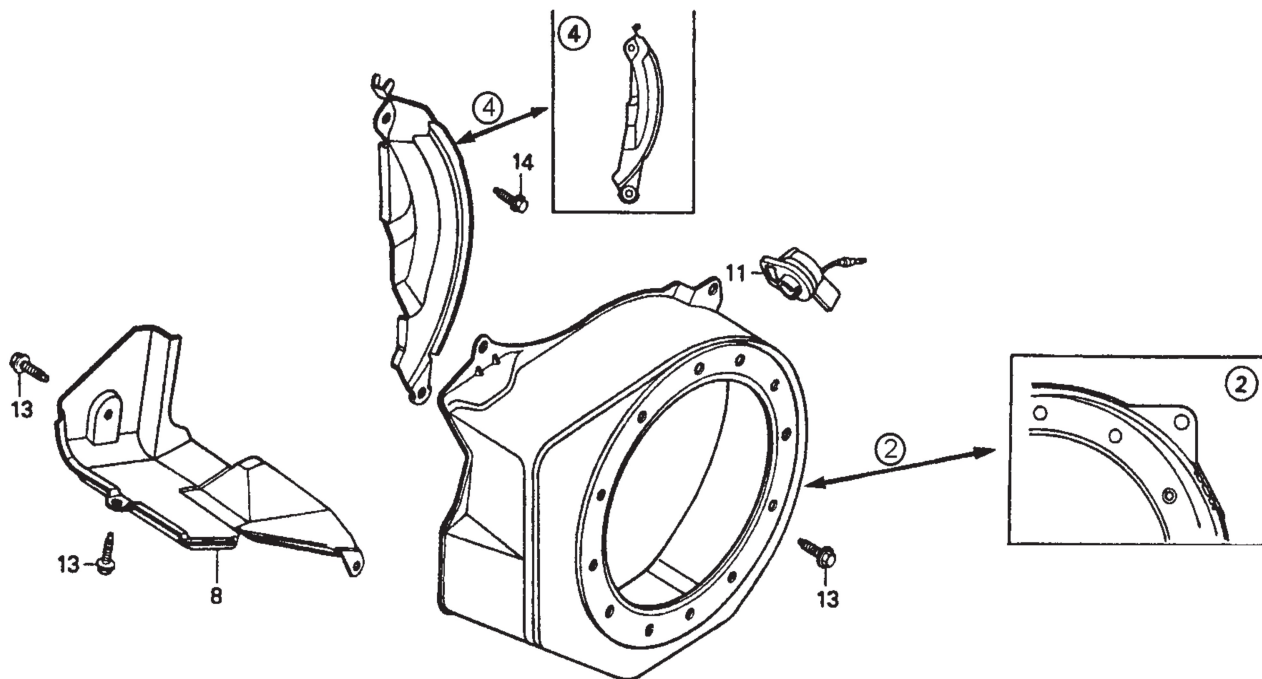
HONDA GX160K1QA2 ENGINE — RECOIL STARTER ASSY.

RECOIL STARTER ASSY.

<u>NO</u>	<u>PART NO</u>	<u>PART NAME</u>	<u>QTY.</u>	<u>REMARKS</u>
1	28400ZH8013ZB	STARTER ASSY, RECOIL NH1(BLACK)	1	INCLUDES ITEMS W/*
2*	28410ZH8003ZB	CASE COMP, RECOIL STARTER	1	
3*	28420ZH8013	REEL, RECOIL STARTER	1	
4*	28422ZH8013	RATCHET, STARTER	2	
5*	28433ZH8003	GUIDE, RATCHET	1	
6*	28441ZH8003	SPRING, FRICTION	1	
7*	28442ZH8003	SPRING, RECOIL STARTER	1	
8*	28443ZH8003	SPRING, RETURN	2	
9*	28461ZH8003	KNOB, RECOIL STARTER	1	
10*	28462ZH8003	ROPE, RECOIL STARTER	1	
11*	90003ZH8003	SCREW, SETTING	1	
12	957010600800	BOLT, FLANGE 6X8	3	

HONDA GX160K1QA2 ENGINE — FAN COVER ASSY.

FAN COVER ASSY.



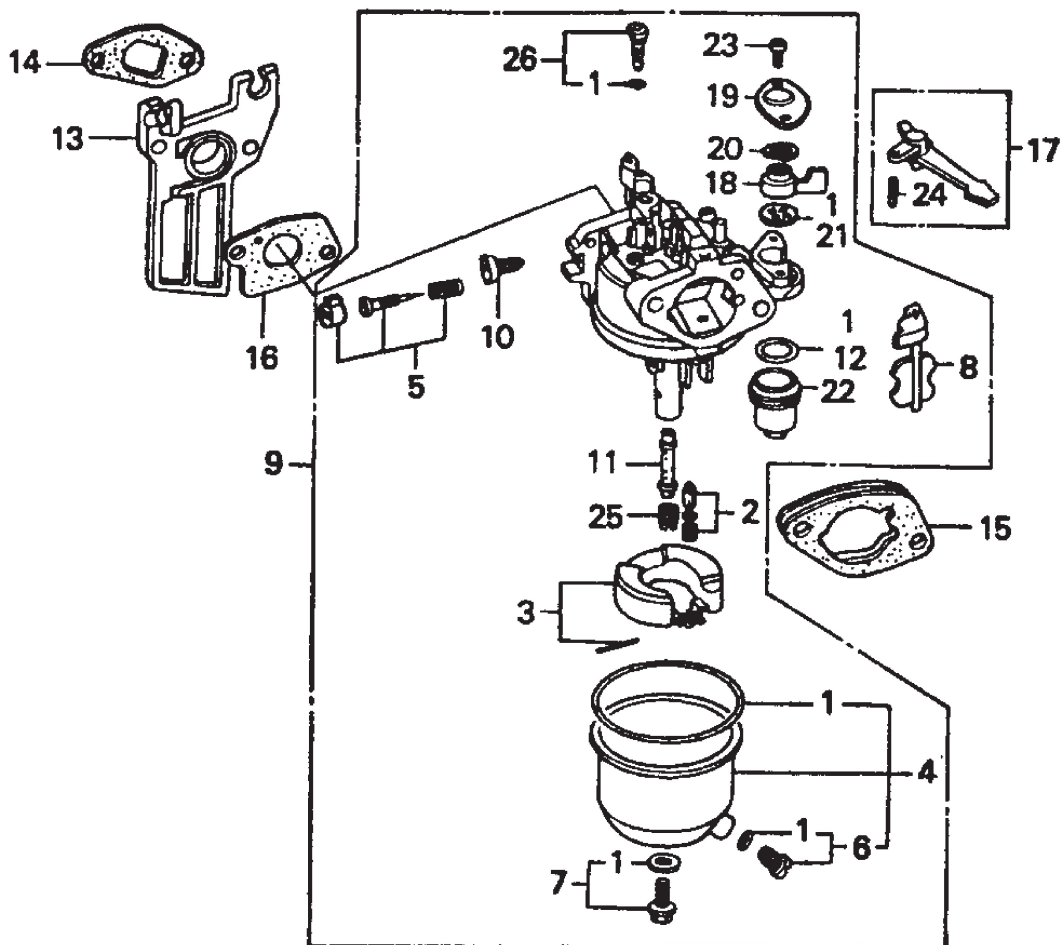
HONDA GX160K1QA2 ENGINE — FAN COVER ASSY.

FAN COVER ASSY.

<u>NO</u>	<u>PART NO</u>	<u>PART NAME</u>	<u>QTY.</u>	<u>REMARKS</u>
2	19610ZE1000ZC	COVER COMP., FAN NH1(BLACK)	1	
4	19612ZH8000	PLATE, SIDE(STD)	1	
8	19630ZH8000	SHROUD COMP.	1	
11	36100ZE1015	SWITCH ASSY., ENGINE	1	
13	90013883000	BOLT, FLANGE 6X12	6	
14	90022888010	BOLT, FLANGE 6X20	1	

HONDA GX160K1QA2 ENGINE — CARBURETOR ASSY.

CARBURETOR ASSY.



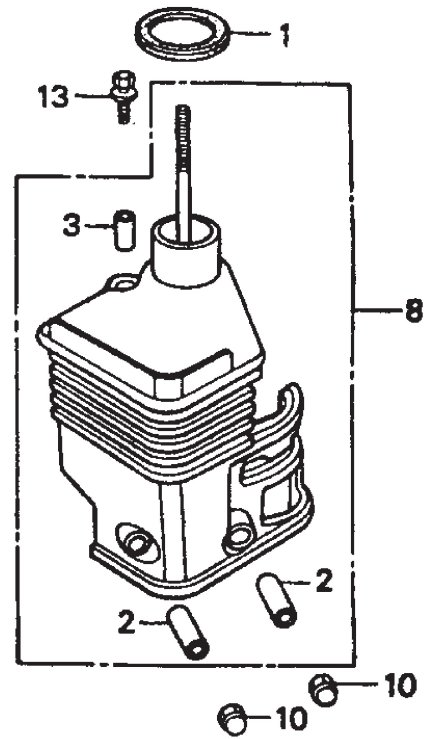
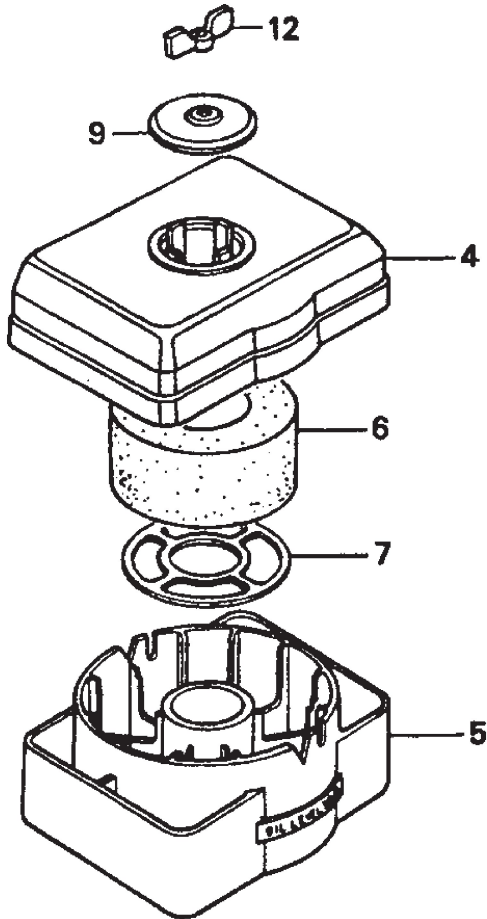
HONDA GX160K1QA2 ENGINE — CARBURETOR ASSY.

CARBURETOR ASSY.

<u>NO</u>	<u>PART NO</u>	<u>PART NAME</u>	<u>QTY.</u>	<u>REMARKS</u>
1*	16010ZE1812	GASKET SET	1	
2*	16011ZE0005	VALVE SET, FLOAT	1	
3*	16013ZE0005	FLOAT SET	1	
4*	16015ZE0831	CHAMBER SET, FLOAT	1	INCLUDES ITEMS W/%
5*	16016ZH7W01	SCREW SET	1	
6*%	16024ZE1811	SCREW SET DRAIN	1	
7*	16028ZE0005	SCREW SET B	1	
8*	16044ZE0005	CHOKE SET	1	
9	16100ZH8W61	CARBURETOR ASSY(BE65C B)	1	INCLUDES ITEMS W/*
10*	16124ZE0005	SCREW, THROTTLE STOP	1	
11*	16166ZH8W60	NOZZLE, MAIN	1	
12*	16955283000	GASKET, FULL STRAINER CUP	1	
13	162111ZE1000	INSULATOR CARBURETOR	1	
14	16212ZH8800	GASKET, INSULATOR	1	
15	16220ZE1020	SPACER COMP. CARBURETOR	1	
16	16221ZH8801	GASKET CARBURETOR	1	
17	16610ZE1000	LEVER COMP., CHOKE (STD)	1	INCLUDES ITEMS W/#
18*	16953ZE1406	LEVER VALVE	1	
19*	16954ZE1812	PLATE LEVER SETTING	1	
20*	16956ZE1811	SPRING, PETCOCK LEVER	1	
21*	16957ZE1812	GASKET, PETCOCK	1	
22*	16967ZE0811	CUP, FUEL STRAINER	1	
23*	93500030060H	SCREW, PAN 3X6	2	
24#	9430520122	PIN, SPRING 2X12	1	
25*	99101ZH70650	JET, MAIN #65	1	
	99101ZH70680	JET, MAIN #68	1	
	99101ZH70700	JET, MAIN #70	1	
26*	99204ZE00350	JET SET, PILOT #35	1	

HONDA GX160K1QA2 ENGINE — AIR CLEANER (OIL BATH) ASSY.

AIR CLEANER (OIL BATH) ASSY.



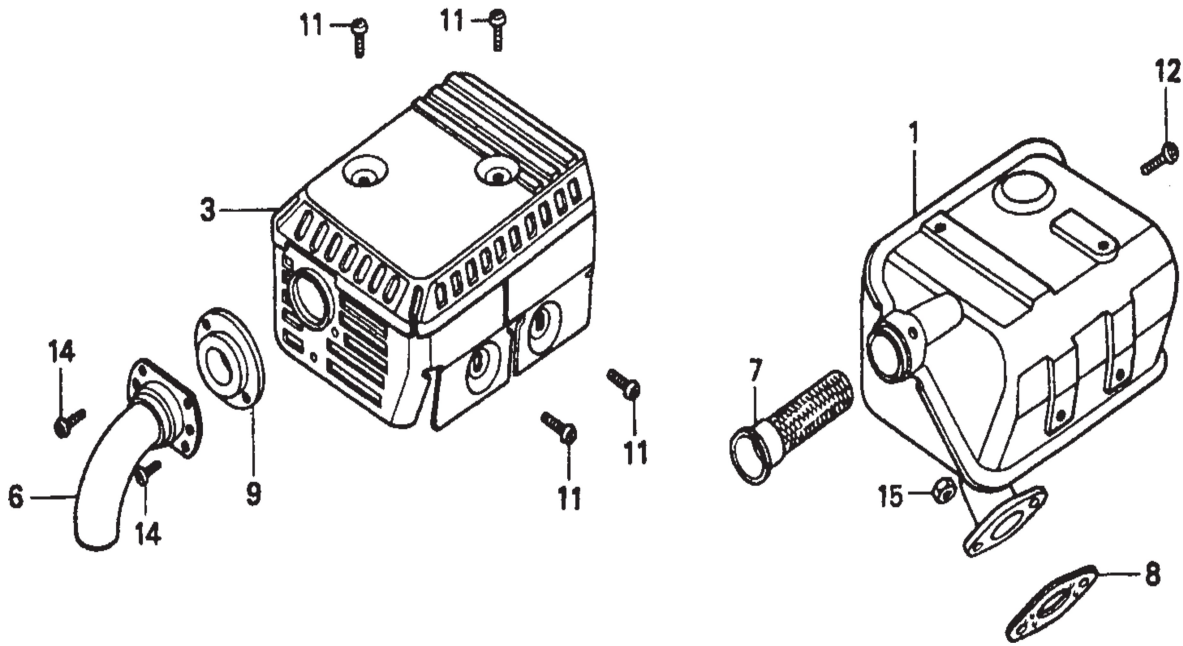
HONDA GX160K1QA2 ENGINE — AIR CLEANER (OIL BATH) ASSY.

AIR CLEANER (OIL BATH) ASSY.

<u>NO</u>	<u>PART NO</u>	<u>PART NAME</u>	<u>QTY.</u>	<u>REMARKS</u>
1	16271ZE1000	GASKET ELBOW	1	
2*	17238ZE7010	COLLAR AIR CLEANER	2	
3*	17239ZE1000	COLLAR B AIR CLEANER	1	
4	17401ZE1810	BODY CLEANER OIL BATH	1	
5	17402ZE1810	PAN CLEANER OIL OIL BATH	1	
6	17403ZE1810	AIR CLEANER ELEMENT OIL BATH	1	
7	17404841000	GRID AIR CLEANER	1	
8	17410ZE1020	ELBOW COMP. AIR CLEANER	1	INCLUDES ITEMS W/*
9	17421ZE1000	CAP CLEANER	1	
10	90201415000	NUT CAP 6MM	2	
12	90325044000	NUT WING TOOL BOX SETTING	1	
13	957010602000	BOLT FLANGE 6 x 20	1	

HONDA GX160K1 ENGINE — MUFFLER ASSY.

MUFFLER ASSY.



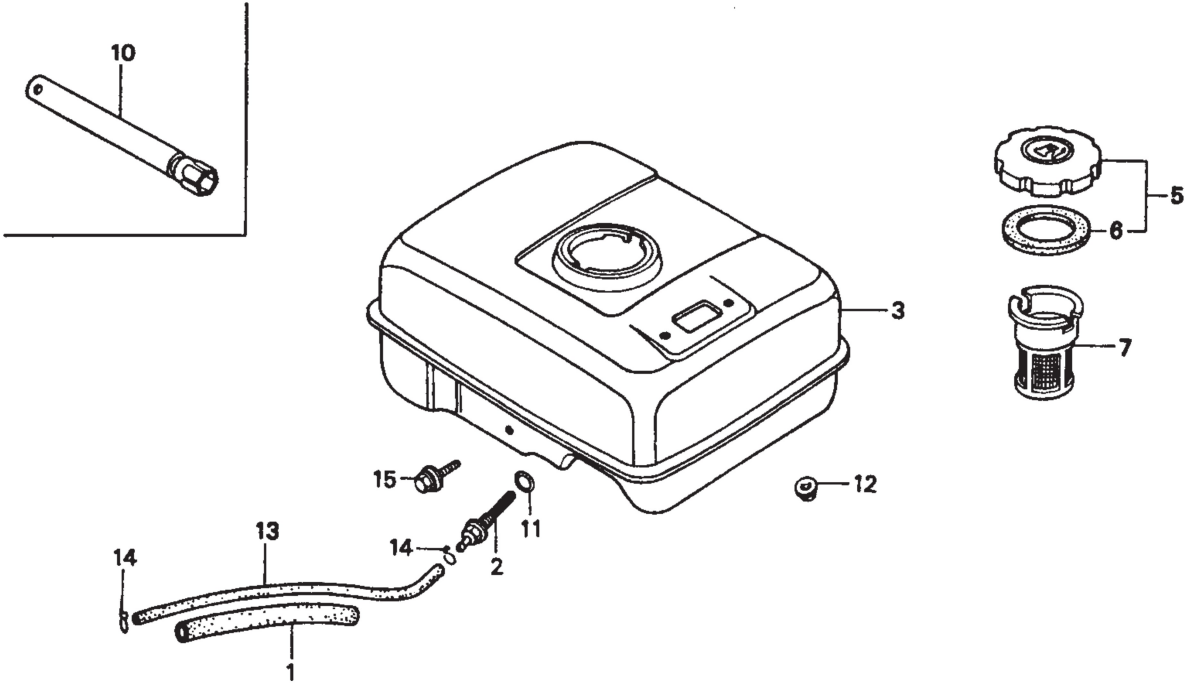
HONDA GX160K1 ENGINE — MUFFLER ASSY.

MUFFLER ASSY.

<u>NO</u>	<u>PART NO</u>	<u>PART NAME</u>	<u>QTY.</u>	<u>REMARKS</u>
1	18310ZH8810	MUFFLER COMP.	1	
3	18320ZF1H01	PROTECTOR, MUFFLER	1	
6	18340ZE1010	DEFLECTOR COMP.	1	
7	18355ZE1000	ARRESTER, SPARK	1	
8	18381ZH8800	GASKET, MUFFLER	1	
9	18522ZE1000	GUIDE, MUFFLER	1	
11	90050ZE1000	SCREW, TAPPING 5X8	4	
12	90055ZE1000	SCREW, TAPPING 4X6	1	
14	90183671003	SCREW, TAPPING 4X8	2	
15	94001080000S	NUT, HEX (8MM)	2	

HONDA GX160K1QA2 ENGINE — FUEL TANK ASSY.

FUEL TANK ASSY.



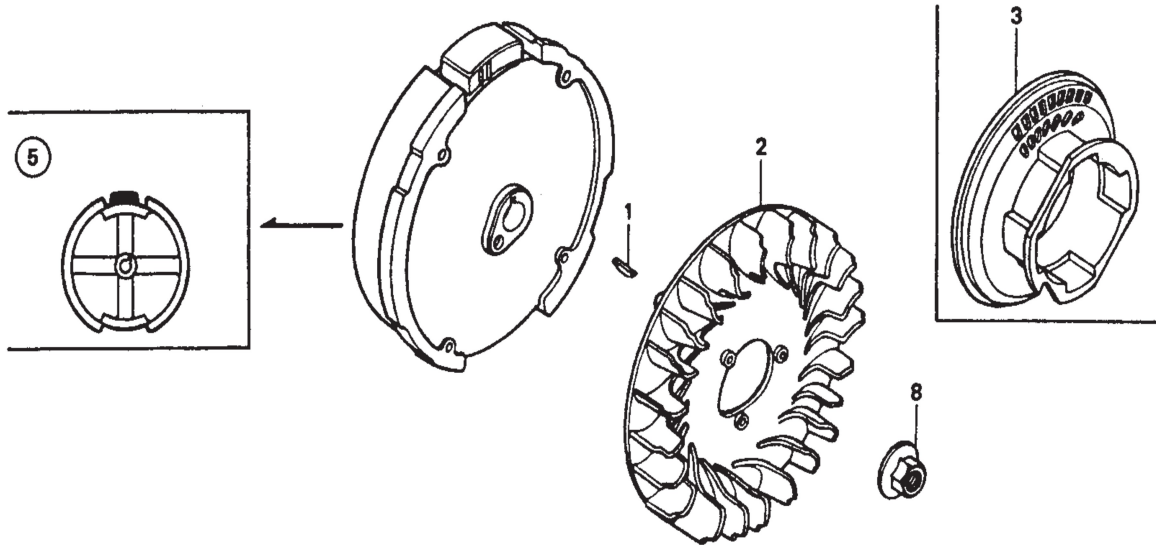
HONDA GX160K1QA2 ENGINE — FUEL TANK ASSY.

FUEL TANK ASSY.

<u>NO</u>	<u>PART NO</u>	<u>PART NAME</u>	<u>QTY.</u>	<u>REMARKS</u>
1	16854ZH8000	RUBBER, SUPPORTER	1	
2	16955ZE1000	JOINT, FUEL TANK	1	
3	17510ZE1020ZF	TANK COMP., FUEL NH1 (BLACK)	1	
5	17620ZH7013	CAP COMP., FUEL FILLER	1	INCLUDES ITEMS W/#
6#	17631ZH7003	GASKET, FUEL FILLER CAP	1	
7	17672ZE2W01	FILTER, FUEL	1	
10	89218ZE1000	WRENCH COMP., SPARK PLUG	1	
11	91353671003	O-RING (14MM) ARAI	1	
12	9405006000	NUT, FLANGE (6MM)	2	
13	950014500840M	BULK HOSE, FUEL (4.5X8000) (4.5X140)	1	
14	9500202080	CLIP, TUBE (B8)	2	
15	957010602500	BOLT, FLANGE (6X25)	1	

HONDA GX160K1QA2 ENGINE — FLYWHEEL ASSY.

FLYWHEEL ASSY.



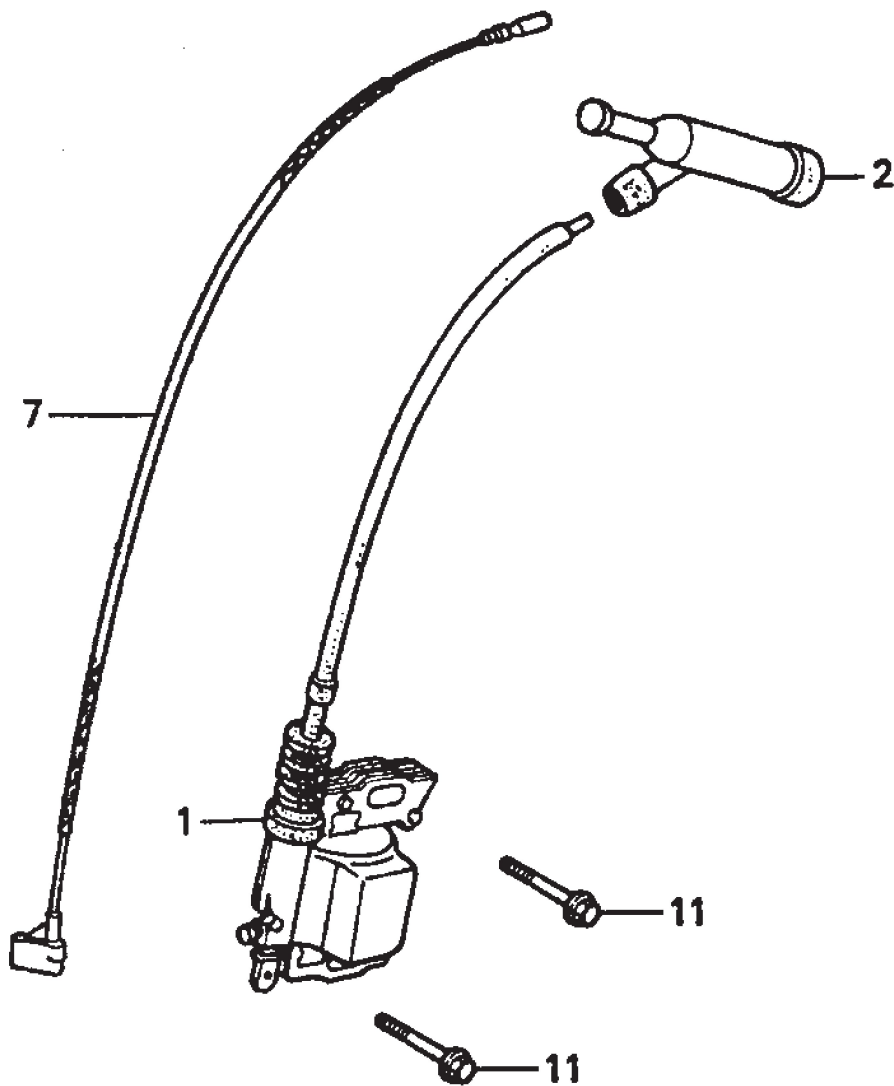
HONDA GX160K1QA2 ENGINE — FLYWHEEL ASSY.

FLYWHEEL ASSY.

<u>NO</u>	<u>PART NO</u>	<u>PART NAME</u>	<u>QTY.</u>	<u>REMARKS</u>
1	13331357000	KEY, SPECIAL WOOD RUFF, 25X18	1	
2	19511ZE1000	FAN, COOLING	1	
3	28450ZH8811	PULLEY COMP., STARTER	1	
5	31100ZE1000	FLYWHEEL COMP.	1	
	31100ZE1810	FLYWHEEL COMP., LAMP	1	
8	90201878003	NUT, SPECIAL, 14MM	1	

HONDA GX160K1QA2 ENGINE — IGNITION COIL ASSY.

IGNITION COIL ASSY.



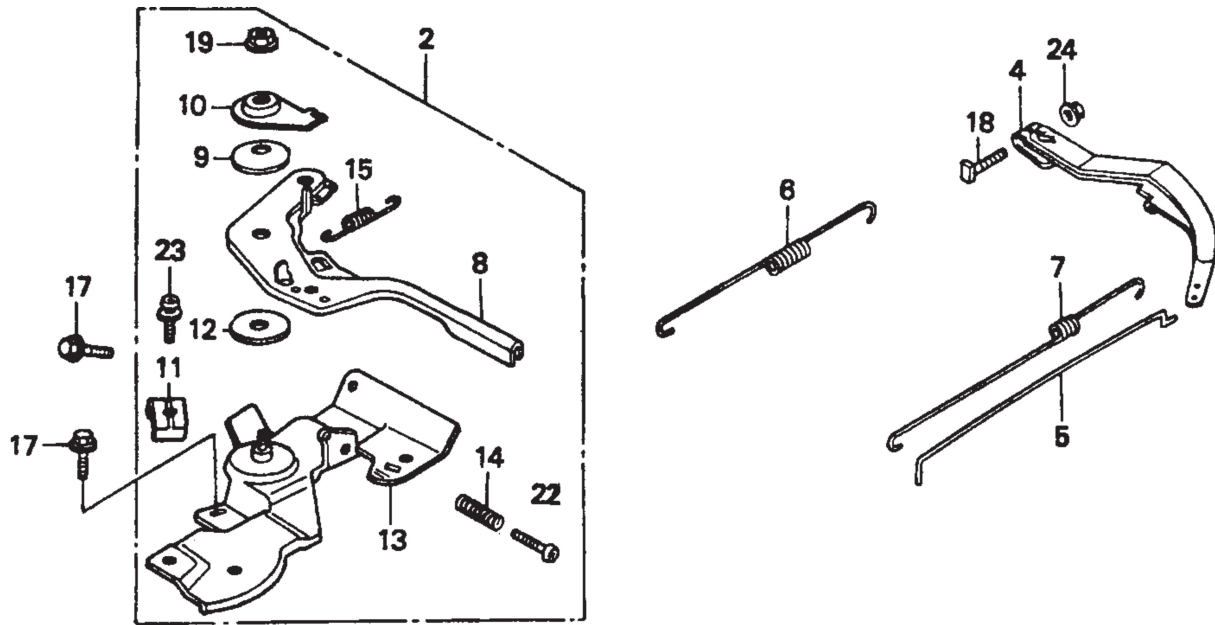
HONDA GX160K1QA2 ENGINE — IGNITION COIL ASSY.

IGNITION COIL ASSY.

<u>NO</u>	<u>PART NO</u>	<u>PART NAME</u>	<u>QTY.</u>	<u>REMARKS</u>
1	30500ZE1033	COIL ASSY., IGNITION	1	
2	30700ZE1013	CAP ASSY., NOISE SUPPRESSOR	1	
7	36101ZE1010	WIRE, STOP SWITCH (370MM)	1	
11	90121952000	BOLT, FLANGE, 6X25	2	

HONDA GX160K1QA2 ENGINE — CONTROL ASSY.

CONTROL ASSY.



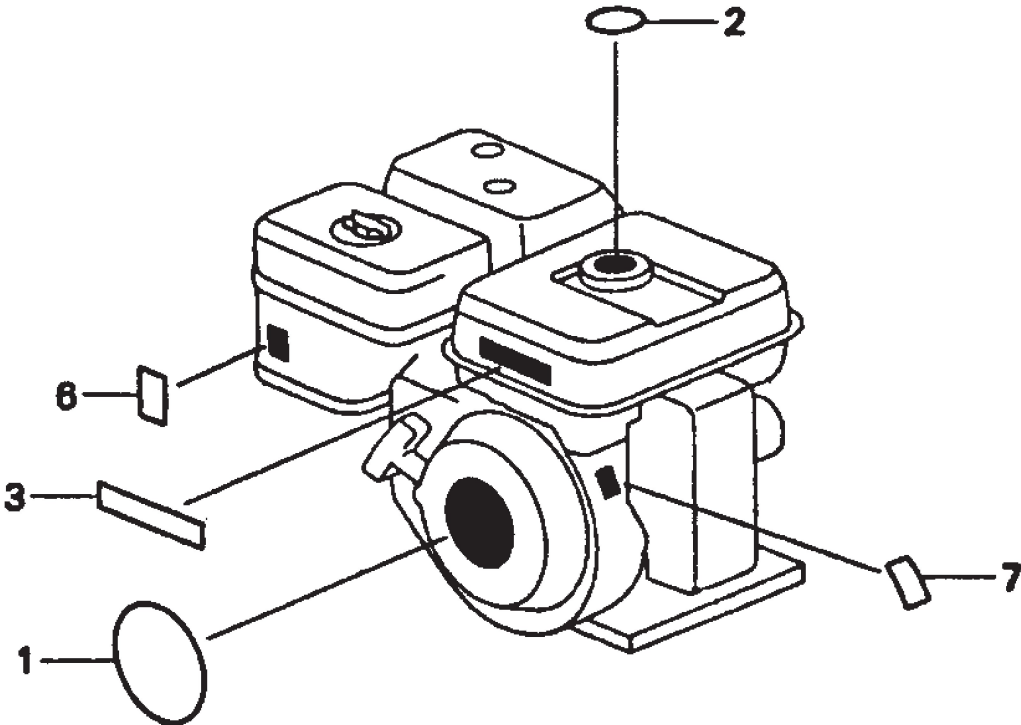
HONDA GX160K1QA2 ENGINE — CONTROL ASSY.

CONTROL ASSY.

<u>NO</u>	<u>PART NO</u>	<u>PART NAME</u>	<u>QTY.</u>	<u>REMARKS</u>
2	16500ZH8821	CONTROL ASSY., REMOTE	1	INCLUDES ITEMS W/*
4	16551ZE0010	ARM, GOVERNOR	1	
5	16555ZE1000	ROD, GOVERNOR	1	
6	16561ZE1020	SPRING, GOVERNOR	1	
7	16562ZE1020	SPRING, THROTTLE RETURN	1	
8*	16571ZH8000	LEVER, CONTROL	1	
9*	16574ZE1000	SPRING, LEVER	1	
10*	16575ZH8000	WASHER, CONTROL LEVER	1	
11*	16576891000	HOLDER, CABLE	1	
12*	16578ZE1000	SPACER, CONTROL LEVER	1	
13*	16580ZH8811	BASE COMP., CONTROL	1	
14*	16584883300	SPRING, CONTROL ADJUSTING	1	
15*	16592ZE1810	SPRING, CABLE RETURN	1	
17	90013883000	BOLT, FLANGE (6X12)	2	
18	90015ZE5010	BOLT, GOVERNOR ARM	1	
19*	90114SA0000	NUT,SELF- LOCK (6MM)	1	
22*	93500050250H	SCREW, PAN (5X25)	1	
23*	938930501600	SCREW WASHER (5X16)	1	
24	9405006000	NUT, FLANGE, 6MM	1	

HONDA GX160K1QA2 ENGINE — LABEL ASSY.

LABEL ASSY.



HONDA GX160K1QA2 ENGINE — LABEL ASSY.

LABEL ASSY.

<u>NO</u>	<u>PART NO</u>	<u>PART NAME</u>	<u>QTY.</u>	<u>REMARKS</u>
1	87521ZH8010	EMBLEM, INTERNAL	1	
2	87522ZE1810	MARK, CAUTION EXTERNAL	1	
3	87522ZH9000	LABEL, CAUTION	1	
6	87258ZE1810	MARK, CHOKE	1	
7	87530ZH8810	LABEL, SPECIFICATION EXTERNAL	1	

HONDA GX160K1QA2 ENGINE — GASKET KIT ASSY.

GASKET KIT ASSY.

<u>NO</u>	<u>PART NO</u>	<u>PART NAME</u>	<u>QTY.</u>	<u>REMARKS</u>
	06111ZH8405	GASKET KIT	1	INCLUDES ITEMS W/*
1*	11381ZH8801	GASKET, CASE COVER NON ASBEST	1	
2*	12251ZF1800	GASKET, CYLINDER HEAD	1	
3*	12391ZE1000	GASKET, CYLINDER HEAD COVER	1	
4*	16212ZH8800	GASKET, INSULATOR	1	
5*	16221ZH8801	GASKET, CARBURATOR	1	
6*	18381ZH8800	GASKET, MUFFLER	1	