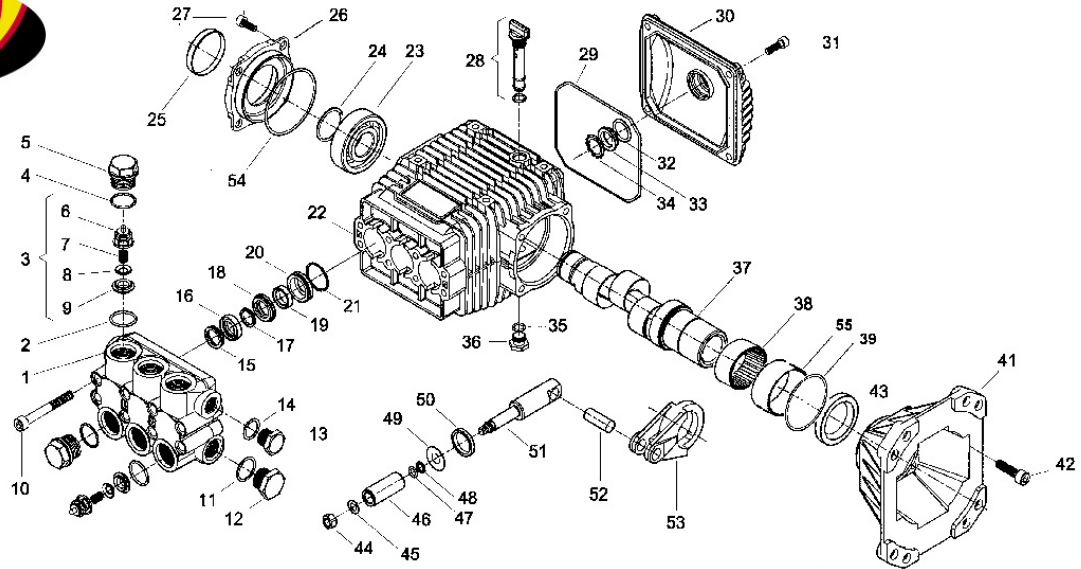


Legacy Model TMG 3535 - 4040



POS NO.	PART NO.	DESCRIPTION	KIT	NO. PCS.
1	15-070070282	Pump Head		1
2	15-803182002	O-Ring Dia. 2.62x17.13	123	6
3	15-079819973	Check Valves	123	6
4	15-803182002	O-Ring Dia. 2.62x17.13		6
5	15-070040532	EX. Deep Sealing Valve Cap M27x1.5		6
6	15-060105322	Valve Cage	123	6
7	15-070048512	Valve Spring	123	6
8	15-060104512	Poppet	123	6
9	15-040023512	Valves Assembly Seat	123	6
10	15-862985002	Screw TCEI M8x70 UNI 5931		8
11	15-824140002	Gasket for Coupling 21.2x26x1		1
12	15-852629002	Plug G 1/2"		1
13	15-852579002	Plug G 3/8		1
14	15-824109002	Copper Gasket Dia. 17x22x1		1
15	15-040270322	Seal Packer	69, 74	3
16	15-802020002	Packing D.15	69, 74	3
17	15-040269322	Anti-Extrusion Ring	69, 74	3
18	15-040268532	Front Gland	69	3
19	15-802034002	U Pressure Seal Dia. 15x22x5.5	69, 74	3
20	15-070016532	Rear Gland	69	3
21	15-803080002	O-Ring	69, 74	3
22	15-070001092	Crankcase		1
23	15-812776002	Bearing		1
24	15-801241002	Circlip		1
25	15-802099602	Cap RCA 52-7		1
26	15-070003092	Support		1
27	15-862547002	Screw M8x18		4
28	15-049832973	Filler Plug		1
29	15-803210682	O-Ring D.2 62x120.32		1

POS NO.	PART NO.	DESCRIPTION	KIT	NO. PCS.
30	15-040117092	Rear Cover		1
31	15-862168002	Galvanized Screw M6x22 UNI 5931		4
32	15-803189002	O-Ring Dia. 2.62x18.72		1
33	15-040120322	Oil Sight Glass		1
34	15-801184002	Ring		1
35	15-803057002	O-Ring 2037 - 39.34 x 2.62		1
36	15-852543502	Cap G 1/4x9 (EX 852542002)		1
37/1	15-070057262	Hollow Shaft 1" E4.3 (3535)		1
37/2	15-070058262	Hollow Shaft 1" E9 (4040)		1
38	15-812916002	Needle Bearing		1
39	15-801400002	Ring D.62 for Hole		1
41	15-070045092	Motor FlangeVSAE 1"		1
42	15-862216002	Screw M6x25		4
43	15-802191002	Shaft Oil Seal		1
44	15-814561002	Stainless Steel Nut M8 UNI 5589		1
45	15-843642902	Washer Dia. 8.1x14x1		4
46	15-070007182	Ceramic Piston DN15		1
47	15-803049002	O-Ring Dia. 1.78x5.28		3
48	15-803908502	Seal		3
49	15-843726002	Washer Dia. 9.1x24x1		3
50	15-802063502	Axial Ring	65	3
51	15-070009512	Plunger Rod		3
52	15-852006282	Piston Pin		3
53	15-070005112	Bronze Conrod		3
54	15-803080702	O-Ring D.1.78x69.57		3
55	15-070046412	Bushing for Bearing		3

	KIT 85 CHECK VALVE/O-RING	KIT 65 PLUNGER OIL SEAL	KIT 69 F&G PACKING ASSY	KIT 74 F&G PACKING ONLY
KIT				
PART #	15-85	15-65	15-69	15-74
TOTAL PCS.	12	3	15	21