

IMPORTANT: THIS IS DATED INFORMATION. Parts must be ordered from a dealer or distributor. **Hearth and Home Technologies does not sell directly to consumers.** Provide model number and serial number when requesting service parts from your dealer or distributor.



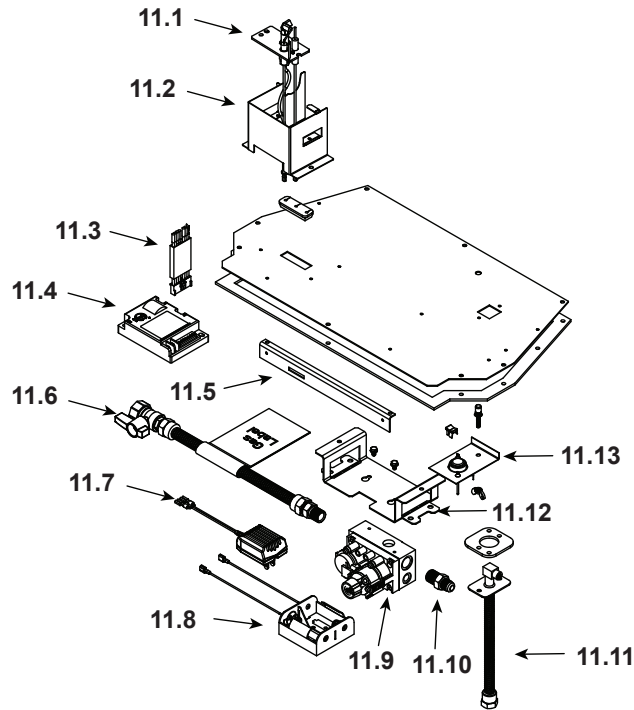
Stocked  
at Depot

ITEM	DESCRIPTION	COMMENTS	PART NUMBER	
1	Base Pan		2204-100	
2	Burner		SRV2204-007-BK	Y
3	Burner Leg		2204-103	
4	On/Off Rheostat		100-510A	Y
5	Control Panel		2203-110	
6	Rheostat Knob		SRV100-512	Y
7	Glass Door Assembly		GLA-339	Y
8	Junction Box Assembly		2203-300	Y
9	Blower		GFK-160A	
10	Cover Plate		060-219	

No one builds a better fire

Beginning Manufacturing Date: Sept 2009  
Ending Manufacturing Date: Sept 2010

### #11 Valve Assembly



IMPORTANT: THIS IS DATED INFORMATION. Parts must be ordered from a dealer or distributor. **Hearth and Home Technologies does not sell directly to consumers.** Provide model number and serial number when requesting service parts from your dealer or distributor.



**Stocked  
at Depot**

ITEM	DESCRIPTION	COMMENTS	PART NUMBER	
11.1	Pilot Assembly NG		SRV2090-012	Y
	Pilot Assembly LP	Convert NG pilot assembly to LP pilot assembly using SRV2098-512 LP pilot orifice		
11.2	Pilot Bracket		2203-112	
11.3	Wire Assembly		SRV593-590	Y
11.4	Control Module		SRV593-592	Y
11.5	Bracket		319-120	
11.6	Flex Ball Valve Assembly		SRV302-320	Y
11.7	Transformer		SRV593-593	Y
11.8	Battery Pack		SRV593-594	Y
11.9	Valve NG		750-500	Y
	Valve LP		750-501	Y
11.10	Brass Connector	PKG of 5	303-315/5	Y
11.11	Flexible Gas Connector		SRV7000-156	Y
11.12	Valve Bracket		319-146	
11.13	Temp Sensor Switch		SRV046-018A	Y
	Orifice NG (#38C)		582-838	Y
	Orifice LP (#52C)		SRV582-852	Y

Additional service part numbers appear on following page.



Service Parts

COSMO-GXT-IPI

No one builds a better fire

Beginning Manufacturing Date: Sept 2009
Ending Manufacturing Date: Sept 2010

IMPORTANT: THIS IS DATED INFORMATION. Parts must be ordered from a dealer or distributor. Hearth and Home Technologies does not sell directly to consumers. Provide model number and serial number when requesting service parts from your dealer or distributor.



Stocked at Depot

Table with 5 columns: ITEM, DESCRIPTION, COMMENTS, PART NUMBER, and Stocked at Depot. Rows include items like Beads, Black; Decorative Front; Fireplaces Termination Assembly; Flex Pipe Handle; Gasket, Valve Plate; Glass Latch Assembly; Glass Refractory, Back; Glass Refractory, Side; Remote Wire Assembly; Touch Up Paint; Wire Assembly; Conversion Kit NG; Conversion Kit LP; Pilot Orifice NG; Pilot Orifice LP; Regulator NG; Regulator LP.