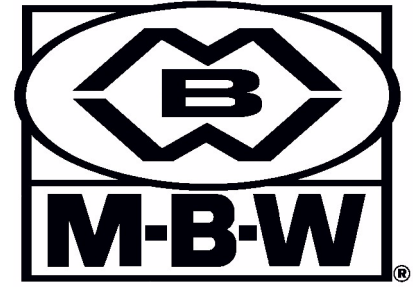


OPERATOR'S SAFETY AND SERVICE MANUAL



GPR99 & GPR135

This manual covers the following serial numbers
and higher for each model listed:

GPR993090230
GPR1352900280



REVERSIBLE

MBW, Inc.
250 Hartford Rd • PO Box 440
Slinger, WI 53086-0440
Phone: (262) 644-5234
Fax: (262) 644-5169
Email: mbw@mbw.com
Website: www.mbw.com

MBW (UK) Ltd.
Units 2 & 3 Cochrane Street
Bolton BL3 6BN, England
Phone: 01204 387784
Fax: 01204 387797

MBW FRANCE S.A.R.L.
Phone: +33 (0) 3 44 07 15 96

L17433 / 06.14.S
©MBW, Inc. 2011
Printed in the USA

DIESEL MODEL

IDLE STOP ← THROTTLE → RUN
19493

WARNING
OPERATION OF THIS EQUIPMENT MAY CREATE SPARKS THAT CAN START FIRES AROUND DRY VEGETATION. A SPARK ARRESTER MAY BE REQUIRED. THE OPERATOR SHOULD CONTACT LOCAL FIRE AGENCIES FOR LAWS OR REGULATIONS RELATING TO FIRE PREVENTION.

CAUTION
Machine may fall and cause injury or damage if not properly assembled, stored, or used. Lift only by lift hook.

#15853 GRP135

HYDRAULIC OIL
#15844 15844

FORWARD
REVERSE
#14665

M-B-W

#15847

M-B-W
(BOTH SIDES) #15846

CAUTION
Read the Operating Instructions before operating this piece of equipment.
Keep unauthorized and untrained people away from this equipment.
ROTATING & MOVING PARTS: Make sure all guards and safety devices are in place. Wear approved hearing protection, foot protection, eye protection and head protection.
SHUT OFF the motor before servicing or cleaning.
DO NOT RUN in an enclosed area. This engine produces carbon monoxide, a **POISONOUS GAS**.
Failure to comply could result in serious bodily injury.

#13483

WARNING
ROTATING PARTS can crush and cut. Keep hands away!

#12573

U.S. PATENT 7,165,469
19326 HYDRAULIC PLATE
#19326



#12500

GPR135

#01554

#15855

OPERATING INSTRUCTIONS
1. Check engine oil level.
2. Check fuel level.
3. Set engine speed control in the middle position.
4. Move decompression lever (if equipped) to the up position. (Located on top of the engine)
5. Use key (if equipped) or starting handle to start engine. (Refer to engine instruction book for proper "Manual Starting" procedure.)
6. After starting return engine speed control to the idle position and allow engine to reach operation temperature.
7. During operation run engine at full throttle, when excessive kickback is noticed maximum compaction has been reached.
8. To stop, return throttle to the idle position and allow engine to idle for one minute then move control to stop position.

#15832

GPR135

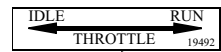
#15855

ENGINE OIL DRAIN

#15845

Safety Decals: GPR135 (Decal Set #16031)

GASOLINE MODELS



#19492

CAUTION

Read the Operating Instructions before operating this piece of equipment. Keep unauthorized and untrained people away from this equipment.

ROTATING & MOVING PARTS! Make sure all guards and safety devices are in place. Wear approved hearing protection, foot protection, eye protection and head protection.

SHUT OFF the motor before servicing or cleaning.

DO NOT RUN in an enclosed area. The engine produces carbon monoxide, a **POISONOUS GAS**.

Failure to comply could result in serious bodily injury.

#13483

- GASOLINE PLATE OPERATING INSTRUCTIONS**
1. Check engine oil level.
 2. Open fuel valve.
 3. Choke engine. A warm engine may not need to be choked.
 4. Open throttle part way.
 5. Pull starter rope.
 6. After starting: open choke, return throttle to idle position.
 7. During operation, when excessive kickback is noticed, maximum compaction has been reached.
 8. To stop, return throttle to the idle position, use engine stop switch, close fuel valve.
- #15866

HYDRAULIC OIL
15844

#15844



#14665

WARNING

OPERATION OF THIS EQUIPMENT MAY CREATE SPARKS THAT CAN START FIRES AROUND DRY VEGETATION. A SPARK ARRESTER MAY BE REQUIRED. THE OPERATOR SHOULD CONTACT LOCAL FIRE AGENCIES FOR LAWS OR REGULATIONS RELATING TO FIRE PREVENTION.

#19791

CAUTION

Machine may fall and cause injury or damage if lifted improperly. Lift only by lift hook. Weight ~ #781 (355kg)

#16026 GPR99
#15853 GRR135

M-B-W

#15847

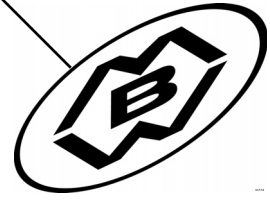
ENGINE OIL DRAIN

#15845

M-B-W
(BOTH SIDES) #15846

GPR99

GPR99 = #15856
GPR135 = #15855



#01554

UNLEADED GASOLINE

#13481

WARNING

ROTATING PARTS can crush and cut. Keep hands away!

#12573



#12500

U.S. PATENT 7,165,469

#19326

GPR99

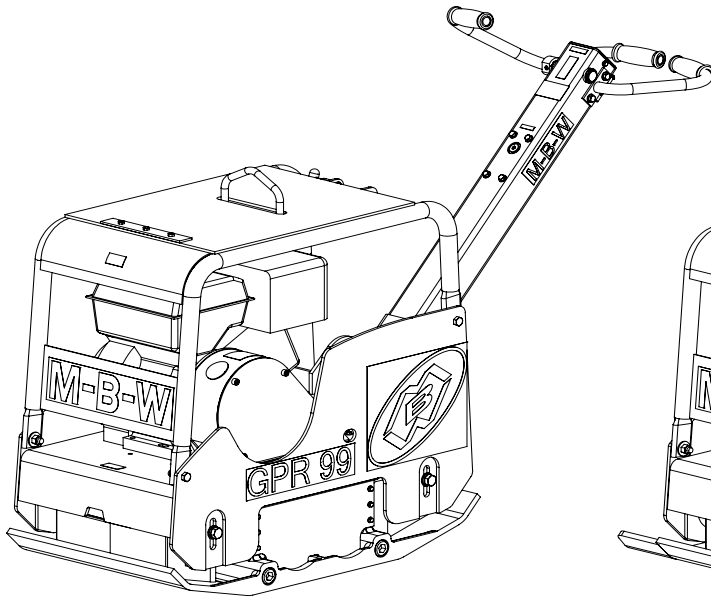
GPR99 = #15856
GPR135 = #15855



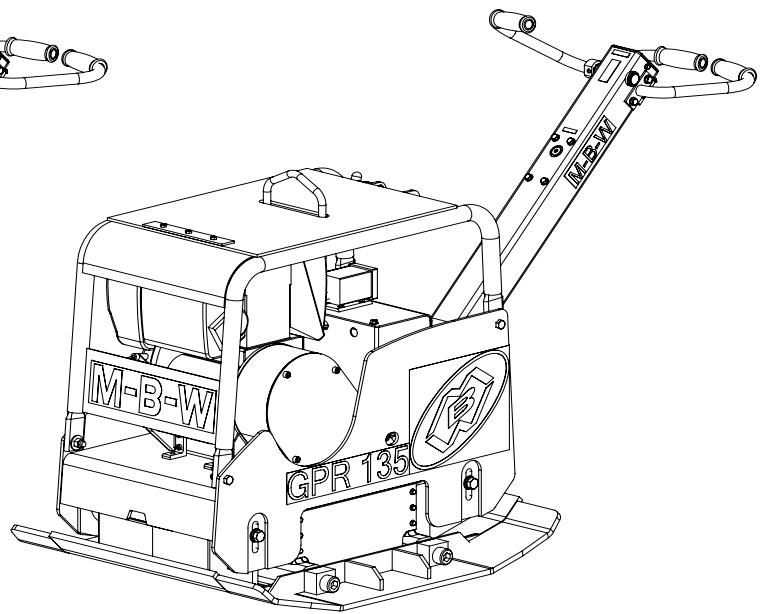
#01554

Safety Decals: GPR99/135 (Decal Set #16031)

SPECIFICATIONS



GRP99
GPR99

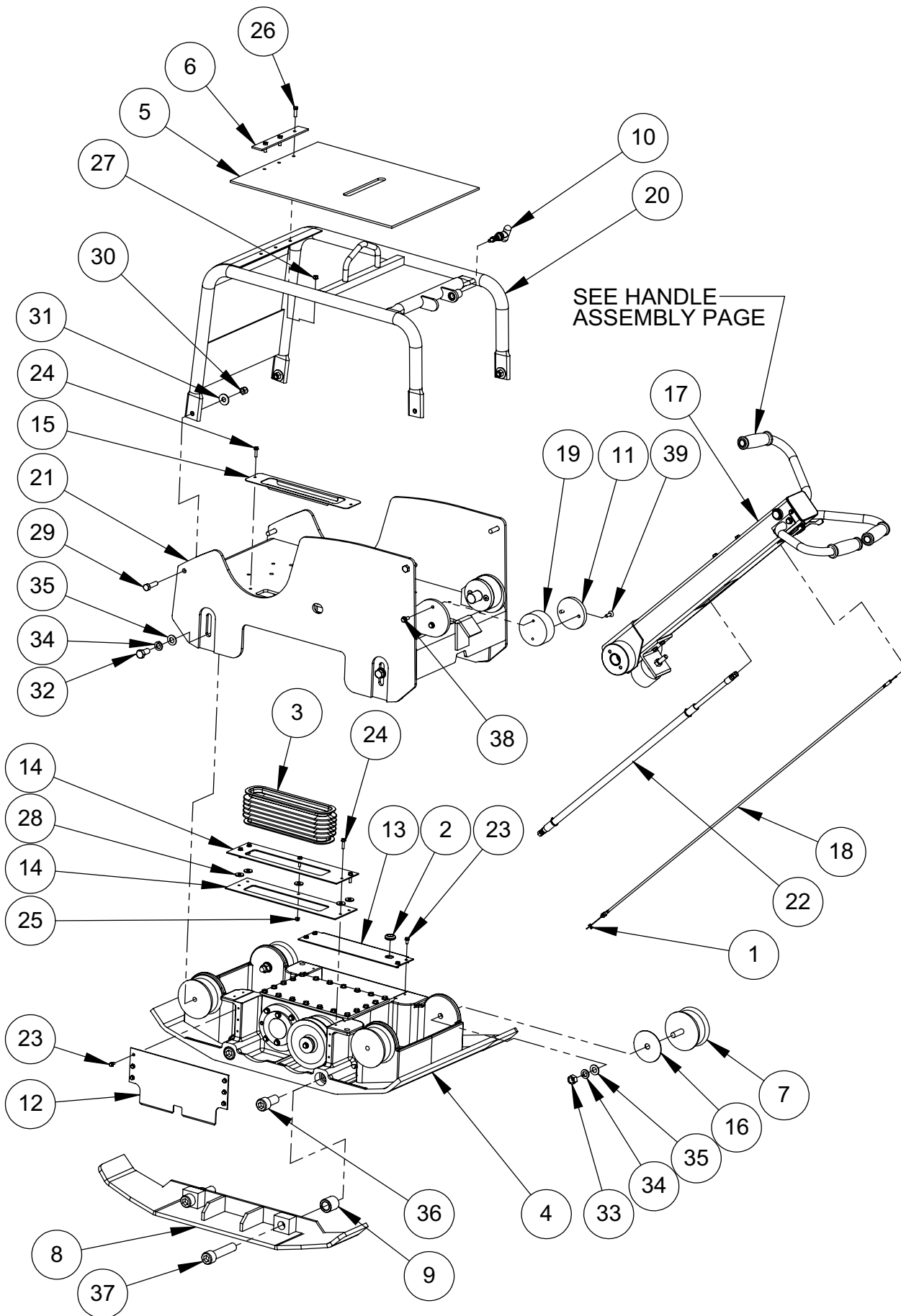


GRP135
GPR135

	GPR99H	GPR135H	GPR135DE
CENTRIFUGAL FORCE	9900 lbf (44 kN)	13500 lbf (60kN)	13500 lbf (60kN)
EXCITER (VPM)	3840 vpm	3840 vpm	3840 vpm
TRAVEL SPEED	80 ft./min. (24 m/min.)	78 ft./min. (24 m/min.)	76 ft/min (23 m/min)
COMPACTION DEPTH	28 in (71 cm)	28 in (71 cm)	28 in (71 cm)
WIDTH x LENGTH	19.7 x 37.3 in. (50 x 95 cm)	19.7 x 37.3 in. (50 x 95 cm)	19.7 x 37.3 in (50 x 95 cm)
OPERATING WEIGHT	775 lb. (352 kg)	792 lb. (359 kg)	854 lb (387 kg)
ENGINE	Honda GX390 (389 cm)Š	Honda GX390 (389 cm)Š	Hatz 1B40 (462 cm)Š
FUEL	Gas	Gas	Diesel
ENGINE SPEED	3600 rpm	3600 rpm	3600 rpm
STARTER SYSTEM	Recoil	Recoil	Electric start with recoil
OPTIONAL PLATE EXTENSIONS	3 in (7.6 cm) & 6 in. (15.2 cm)	3 in (7.6 cm) & 6 in. (15.2 cm)	3 in (7.6 cm) & 6 in. (15.2 cm)

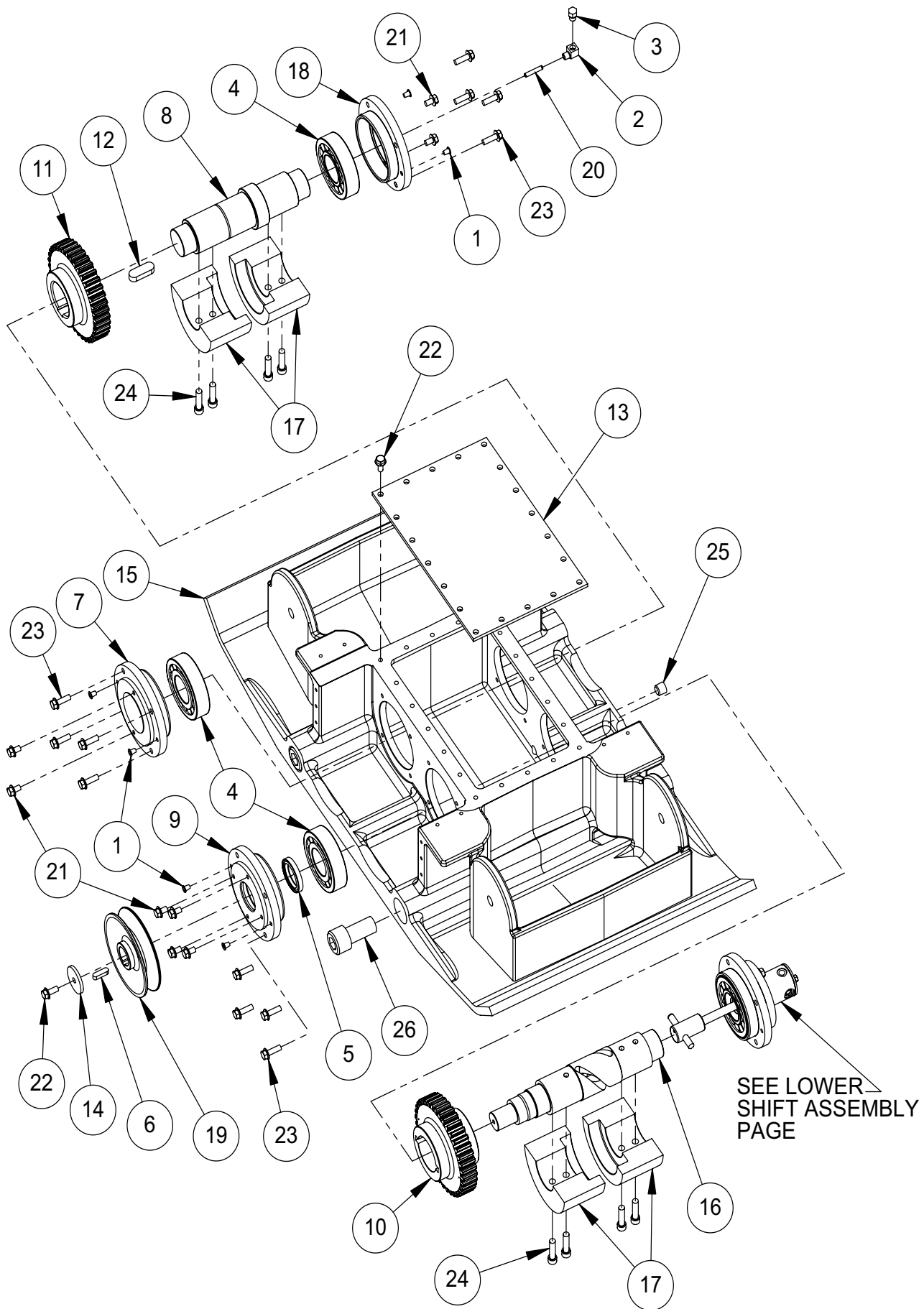
Specifications subject to change without notice

No universal method or formula has been accepted for determining "Compaction Force". All manufactures employ their own method or formula.



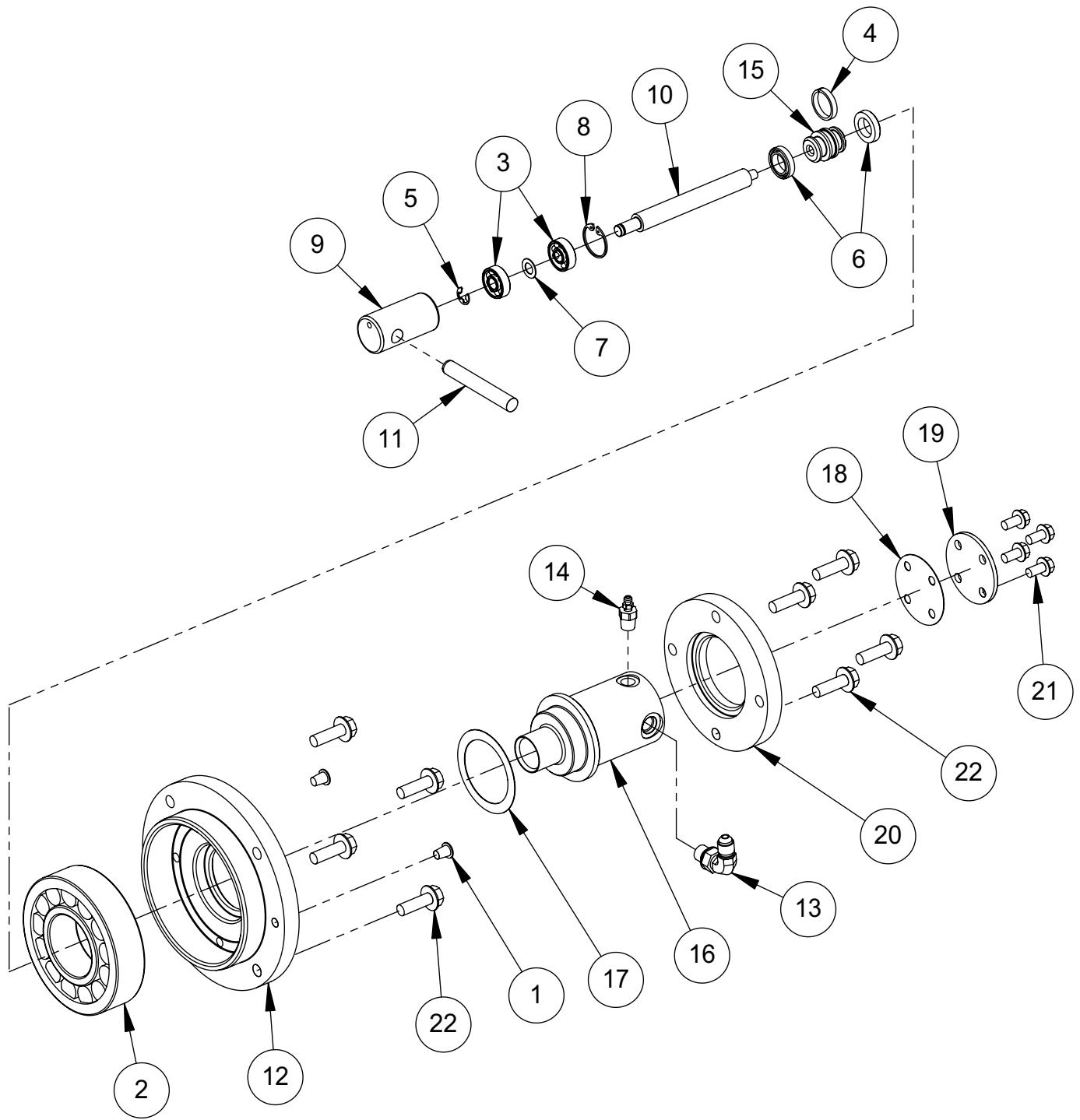
Main Assembly

ITEM	PART NO.	DESCRIPTION	99H	135H	135DE
1.	05477	SWIVEL, THROTTLE CABLE	1	1	
2.	10088	GROMMET	1	1	1
3.	16442	BELLOWS	1	1	1
4.	16607	BASEPLATE ASSEMBLY, GPR135		1	1
	16609	BASEPLATE ASSEMBLY, GPR99	1		
	20311	BASE PLATE ASSEMBLY, GPR160			
5.	16653	RUBBER MAT	1	1	1
6.	16654	MOUNTING PLATE, RUBBER MAT	1	1	1
7.	17160	SHOCKMOUNT, GPR99	4		
	17419	SHOCKMOUNT, GPR135		4	4
	20320	SHOCKMOUNT, GPR160			
8.	17326	EXTENSION PLATE, 3" WIDE (OPTIONAL) SEE KIT #17337	2	2	2
	17333	EXTENSION PLATE, 6" WIDE, (OPTIONAL) SEE KIT #17338	2	2	2
9.	17335	BUSHING, USED WITH EXTENSION PLATES (OPTIONAL)	4	4	4
10.	17340	POP-PIN	1	1	1
11.	17402	SPINDLE, HANDLE MOUNT	2	2	2
12.	17434	COVER, SIDE	2	2	2
13.	17435	GUARD, HYDRAULIC COVER	1	1	1
14.	17436	GUARD, BELLOWS MOUNT	2	2	2
15.	17462	RETAINER, BELLOWS	1	1	1
16.	17997	SHIM, SHOCKMOUNT (AS REQUIRED)			
17.	19445	HANDLE COMPLETE	1	1	1
18.	19479	THROTTLE CABLE	1	1	1
19.	19533	SHOCK MOUNT, HANDLE	2	2	2
20.	19535	ROLLCAGE	1	1	1
21.	19537	ENGINE DECK			1
	19538	ENGINE DECK	1	1	
	20317	ENGINE DECK			
22.	19790	HOSE, HYDRAULIC	1	1	1
23.	F042004FWS	FWS, 1/4-20 x 1/2, ZP	16	16	16
24.	F042008FWS	FWS, 1/4-20 x 1.0, ZP	9	9	9
25.	F0420ELN	LOCKNUT, 1/4-20, NYLOC, ZP	1	1	1
26.	F051805HCS	HHCS, 5/16-18 x 1.0 GRD 5, ZP	3	3	3
27.	F0518ELN	LOCKNUT, 5/16-18, NYLOC, ZP	3	3	3
28.	F06SW	WASHER, 25/64 x 1.0 x 1/4, ZP	5	5	5
29.	F081314HCS	HHCS, 1/2-13 x 1-3/4 GRD 5, ZP	4	4	4
30.	F0813ELN	LOCKNUT, 1/2-13, NYLOC, ZP	4	4	4
31.	F08SW	WASHER, 9/16 x 1-3/8 x 12 GA., ZP	4	4	4
32.	F101110HCS	HHCS, 5/8-11 x 1-1/4 GRD 5, ZP	4	4	4
33.	F1011HN	HEX NUT, 5/8-11, ZP	4	4	4
34.	F10LW	LOCKWASHER, 5/8, ZP	8	8	8
35.	F10PW	WASHER, 5/8 x 1-1/4 x 12 GA., ZP	8	8	8
36.	F160816SCS	SOCKET HEAD CAP SCREW, 1-8 x 2.0, GR. 8, ZP	4	4	4
37.	F160836SCS	SOCKET HEAD CAP SCREW, 1-8 x 4-1/2, GR. 8, ZP	4	4	4
38.	M08C020FWS	FWS, M8 x 20, PLATED	4	4	4
39.	M08C025FSS	FLAT HEAD SOCKET SCREW, M8x25, PLATED	4	4	4
	17337	KIT, 3" EXTENSION, (CONTAINS ITEMS 12,13 & 37)			
	17338	KIT, 6" EXTENSION, (CONTAINS ITEMS 12,13 & 37)			

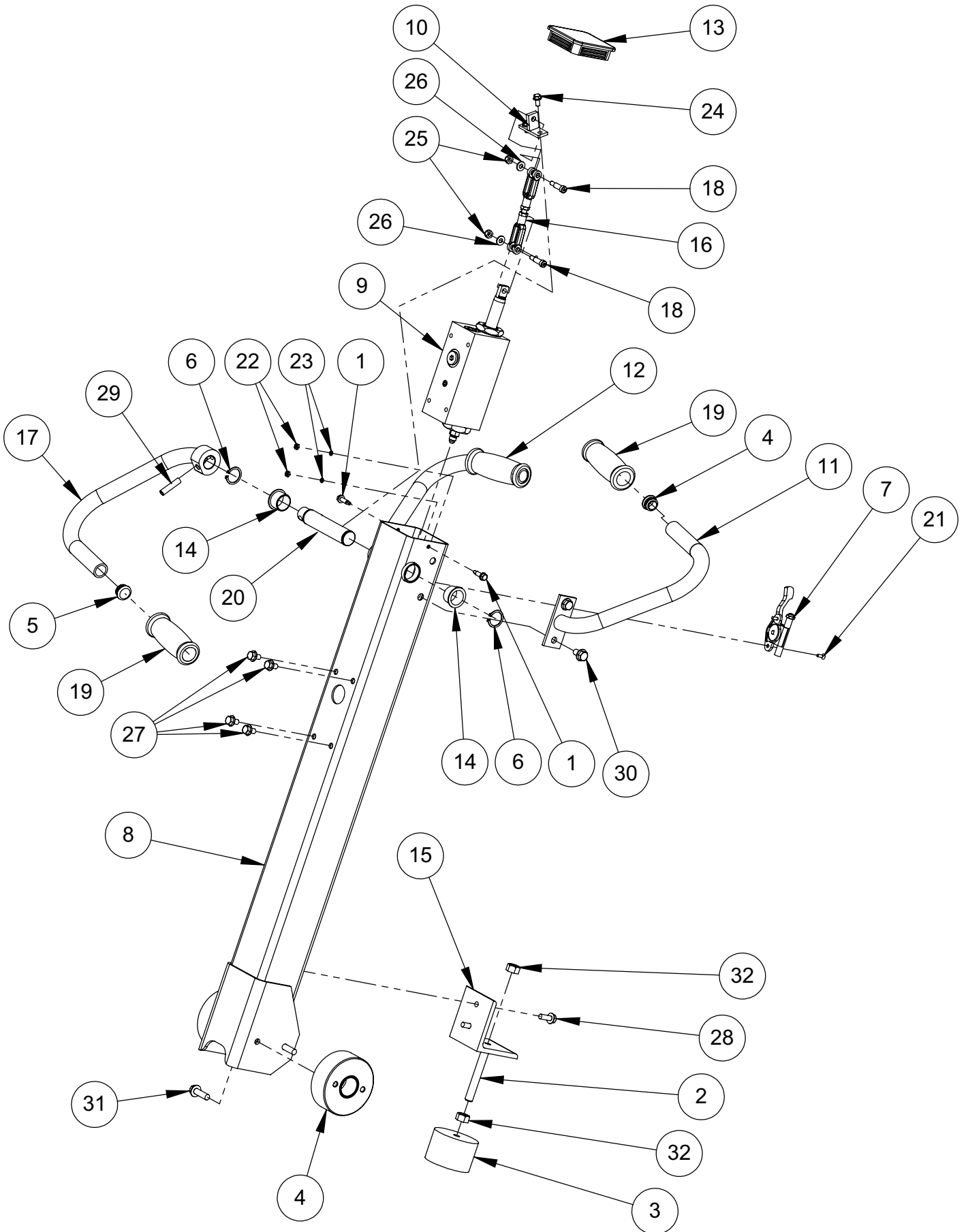


Baseplate Assembly

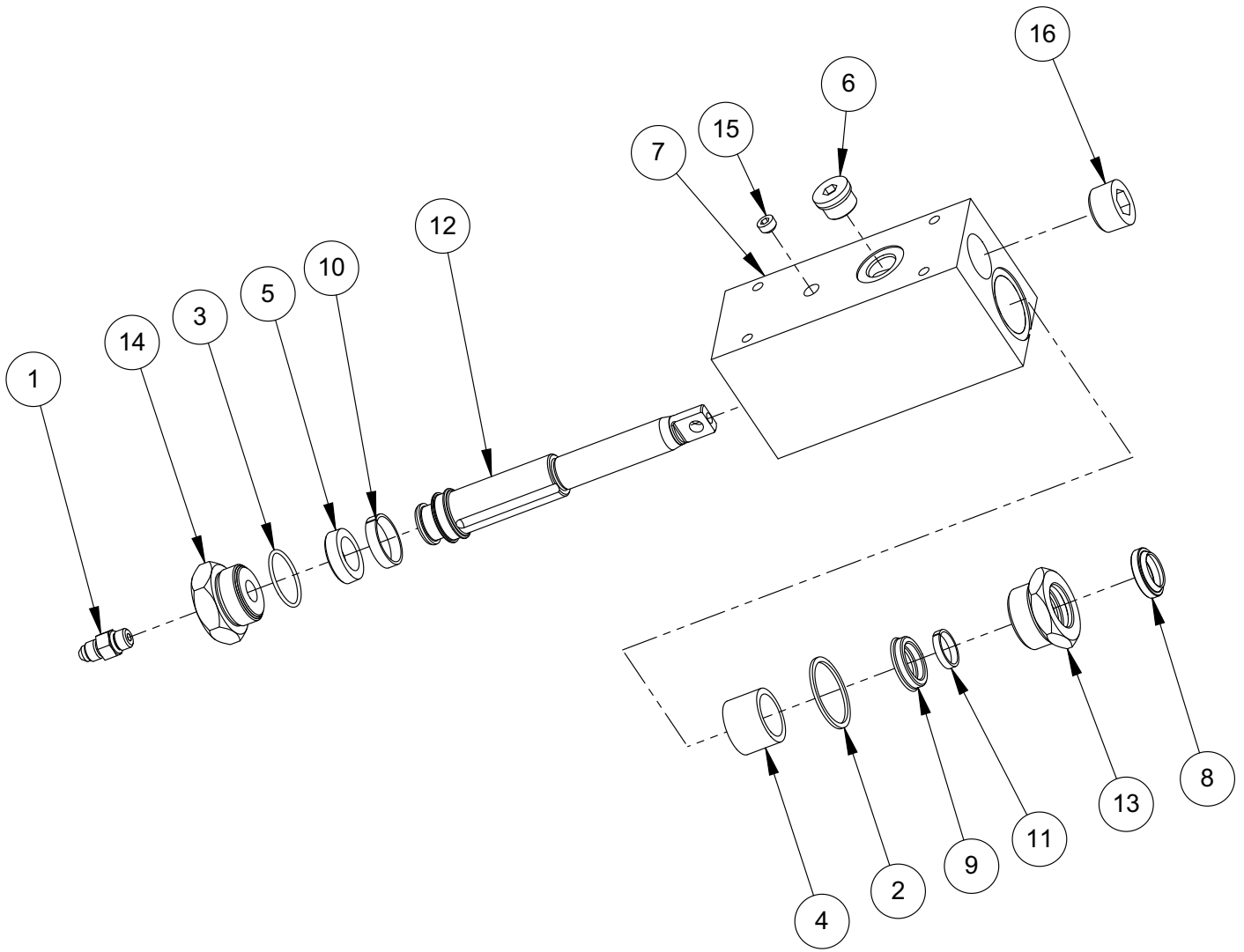
ITEM	PART NO.	DESCRIPTION	GPR99	GPR135
1.	05559	CAP PLUG	6	6
2.	09748	FITTING, PIPE, 90 DEGREE	1	1
3.	09749	PLUG, BREATHER	1	1
4.	16228	ROLLER BEARING, 100 x 45	4	4
5.	16232	SHAFT SEAL	1	1
6.	16259	KEY, METRIC, 8 x 7 x 28, ROUND ENDS	1	1
7.	16262	BEARING COVER, EXCITER	1	1
8.	16263	EXCITER SHAFT	1	1
9.	16264	BEARING COVER, EXCITER	2	2
10.	16265	IN-PUT GEAR	1	1
11.	16266	IDLER GEAR	1	1
12.	16321	KEY, METRIC, 16 x 10 x 45, ROUND ENDS	1	1
13.	16322	COVER PLATE, EXCITER	1	1
14.	16328	WASHER, 11/32 x 1-3/4 x 3/16, ZP	1	1
15.	16331	BASEPLATE, MACHINED	1	1
16.	16599	INPUT SHAFT	1	1
17.	16608	EXCITER WEIGHT, (GPR99)	4	
	16260	EXCITER WEIGHT, (GPR135)		4
	20312	EXCITER WEIGHT, (GPR160)		
18.	17104	BEARING COVER, EXCITER, BREATHER	1	1
19.	17502	EXCITER PULLEY	1	1
20.	F0410SP	SPIROL PIN, 1/4 x 1-1/4	1	1
21.	F051804FWS	FWS, 5/16-18 x 1/2, ZP	8	8
22.	F051806FWS	FWS, 5/16-18 x 3/4, ZP	21	21
23.	F051808FWS	FWS, 5/16-18 x 1.0, ZP	12	12
24.	F061612SCS	SOCKET HEAD CAP SCREW, 3/8-16 x 1-1/2, GR 8	8	8
25.	F0618SPP	PIPE PLUG, 3/8-16 NPT	1	1
26.	F160816SCS	SOCKET HEAD CAP SCREW, 1-8 x 2.0, GR 8, ZP	4	4
	16609	BASEPLATE, COMPLETE, GPR99, (CONTAINS ITEMS ABOVE)		
	16607	BASEPLATE, COMPLETE, GPR135, (CONTAINS ITEMS ABOVE)		
	20311	BASEPLATE, COMPLETE, GPR160, (CONTAINS ITEMS ABOVE)		



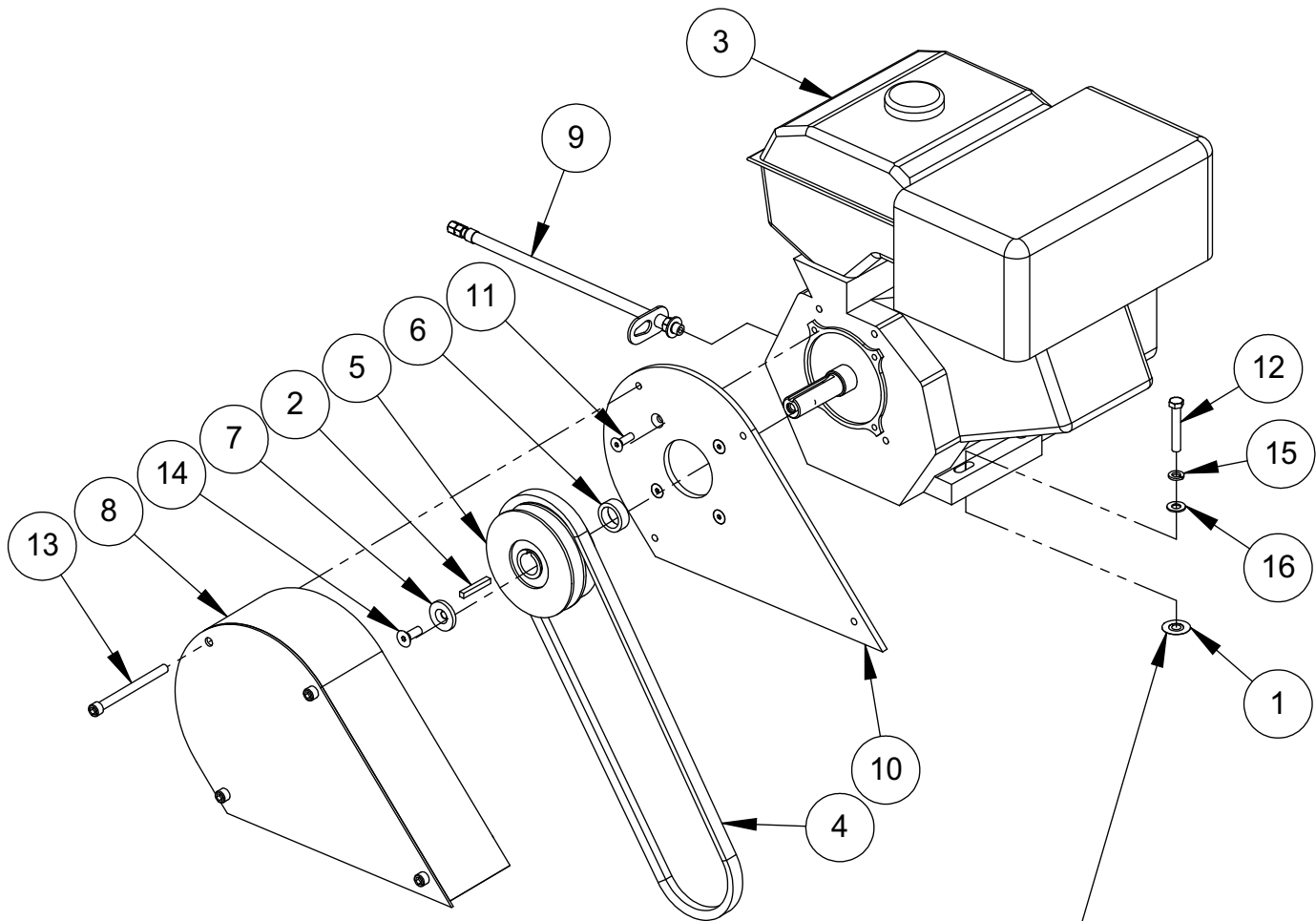
Lower Shaft Assembly



Handle Assembly

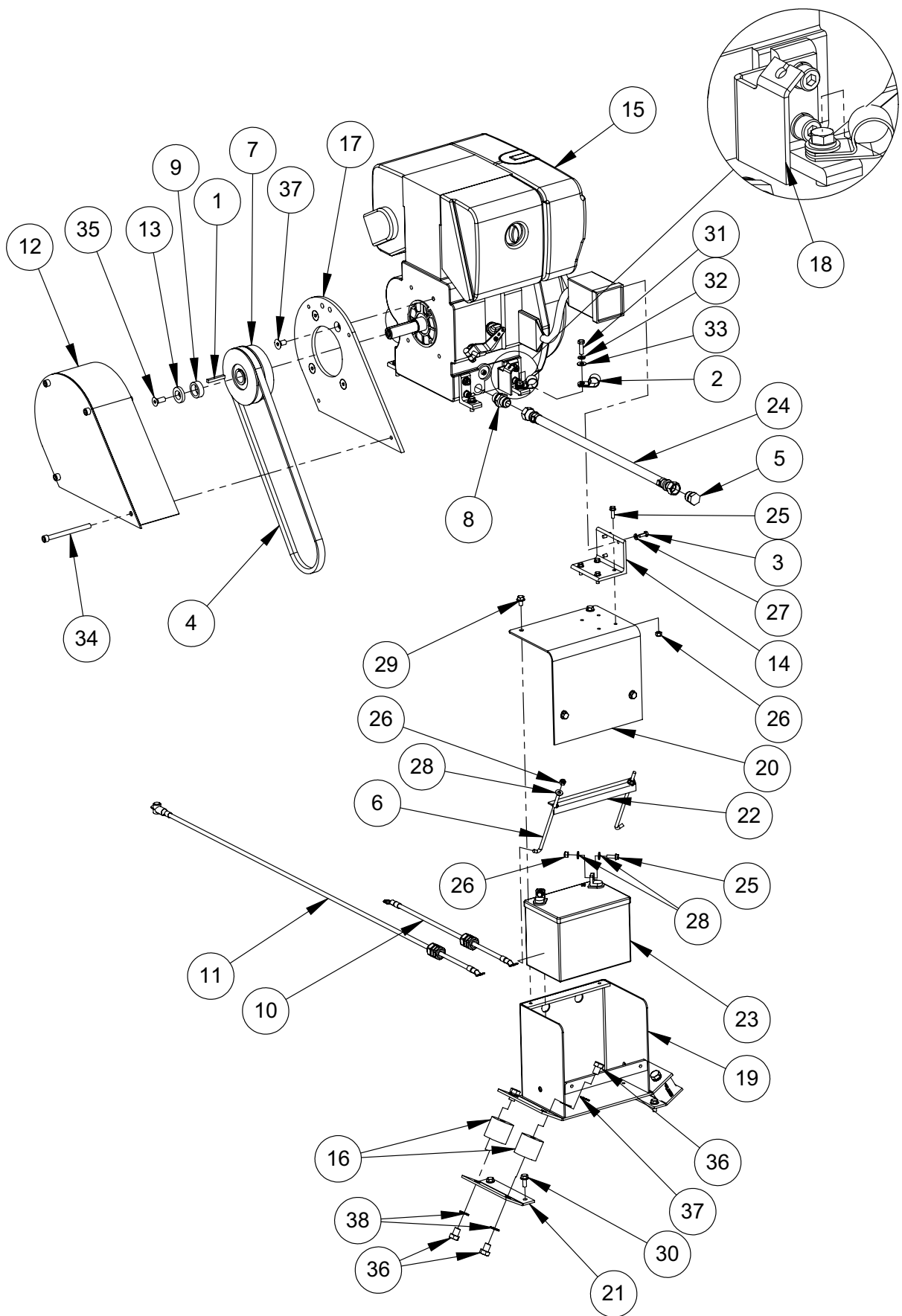


Control Head Assembly



SHIM ENGINE ONLY AS REQUIRED
 .015" MAX. SHIMS ANY ONE PLACE

Gasoline Engine Assembly



Diesel Engine Assembly

ITEM	PART NO.	DESCRIPTION	QTY
1.	00808	SQUARE KEY, 1/4 x 1-3/4	1
2.	01428	CABLE CLAMP, BATTERY	2
3.	09275	HHCS, M6 x 1.0 x 20, ZP	3
4.	09375	V-BELT, B-44	1
5.	16523	FITTING, PLUG, HYDRAULIC	1
6.	16556	J-BOLT, 1/4-20 x 6-1/2	2
7.	16576	CLUTCH	1
8.	16578	FITTING, ADAPTER, HYDRAULIC	1
9.	16580	SPACER, CLUTCH	1
10.	16600	BATTERY CABLE, BLACK, 4 GA. x 19"	1
11.	16604	BATTERY CABLE, RED, 4 GA. x 48"	1
12.	16621	BELT GUARD	1
13.	16665	WASHER MOUNT	1
14.	16969	MOUNTING BRACKET, IGNITION BOX	1
15.	17144	ENGINE, HATZ DIESEL, 1B40	1
16.	17170	SHOCK MOUNT, 30 DUROMETER	4
17.	17468	MOUNT, BELT GUARD	1
18.	19483	BRACKET, THROTTLE, ENGINE	1
19.	19540	BATTERY BOX	1
20.	19545	COVER, BATTERY BOX	1
21.	19547	MOUNT, BATTERY BOX	2
22.	19549	BRACKET, BATTERY HOLD-DOWN	1
23.	19551	BATTERY, 12 VOLT, SIZE-U1, 300CCA, (BUY LOCALLY, HAZARDOUS TO SHIP)	1
24.	19624	HYDRAULIC HOSE, OIL DRAIN, 1/2 x 22	1
25.	F042006FWS	FWS, 1/4-20 x 1, ZP	6
26.	F0420ELN	LOCKNUT, 1/4-20, NYLOC	8
27.	F04LW	LOCKWASHER, 1/4, ZP	3
28.	F04PW	WASHER, 1/4, ZP	6
29.	F051804FWS	FWS, 5/16-18 x 1/2, ZP	4
30.	F051806FWS	FWS, 5/16-18 x 3/4, ZP	4
31.	F051810HCS	HCS, 5/16-18 x 1-1/4, GR. 5, ZP	4
32.	F05LW	LOCKWASHER, 5/16, ZP	4
33.	F05SW	WASHER, 5/16, ZP	4
34.	F061636SCS	SCS, 3/8-161 x 4-1/2 GR. 8, ZP	4
35.	F062408FSS	FSS, 3/8-24 x 1, ZP	1
36.	F081305HCS	HHCS, 1/2-13 x 5/8, GR. 5, ZP	8
37.	M10C020FSS	FSS, M10 x 1.5 x 20. ZP	4
38.	M12ETLW	LOCKWASHER, M12, EXTERNAL TOOTH	8
	H50484100	AIR FILTER, HATZ DIESEL 1B40 (Not Shown)	
	H01635210 H50404900	FUEL FILTER (INSIDE TANK) HATZ DIESEL KEY, STARTER, HATZ	
	17751	CONTROL BOX, HATZ	
		<u>KITS:</u>	