



MODEL: BG

■ BG-2527

■ BG-2820

■ BG-3030

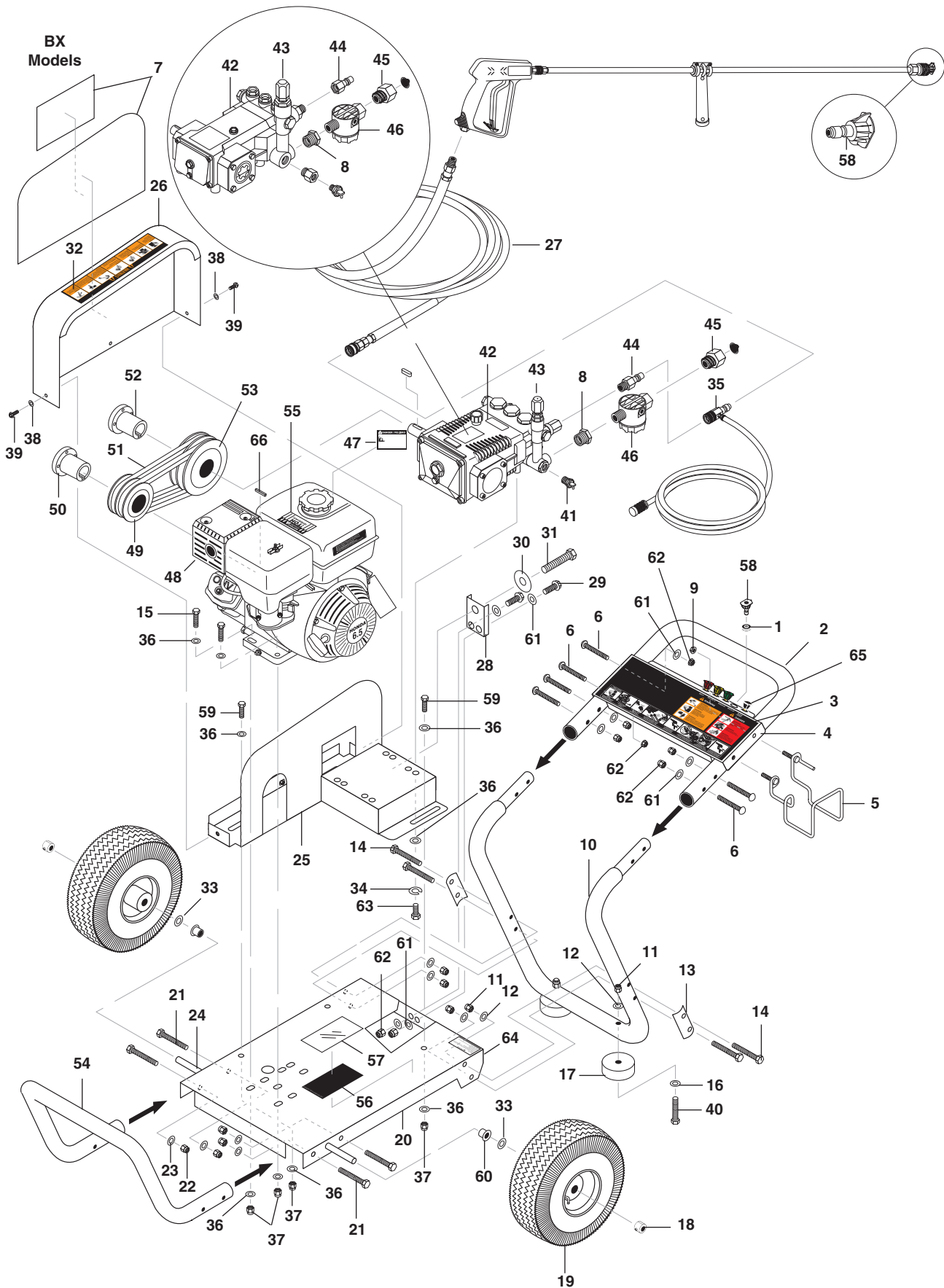
■ BG-3532

■ BG-3735

■ BG-3040



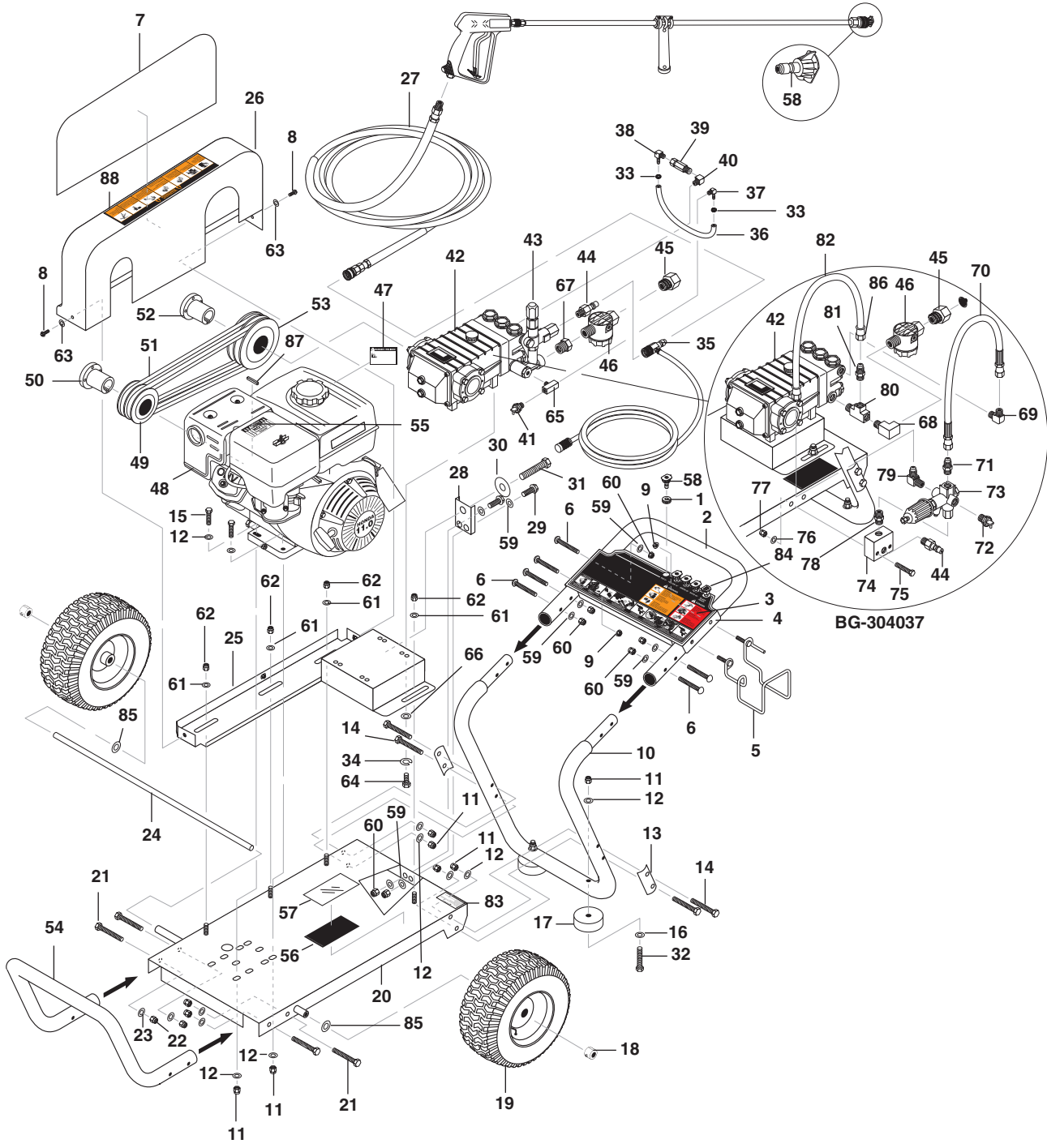
EXPLODED VIEW - 2527, 2820



EXPLODED VIEW PARTS LIST - 2527, 2820

ITEM	PART NO.	DESCRIPTION	QTY	ITEM	PART NO.	DESCRIPTION	QTY
1	2-0103	Grommet, Rubber, Nozzle Holder	5	39	90-19710	Bolt, 1/4" x 3/4" Flange	3
2	95-07104921	Handle, Grab, Red	1	40	90-10201	Bolt 3/8" x 2-1/4"	2
3	11-0358	Label, BG Models	1	41	2-300812	Pump Protector 1/4"	1
4	95-07104945	Plate, Warning/Instr., Red	1	42	Pump, See Specifications Pages		
5	95-07102382	Hanger, Hose/Wand	1	43	Unloader, See Specifications Pages		
6	90-100473	Bolt, Carriage, 1/4"-20 x 1-3/4", Zinc	6	44	2-2007	Nipple, 3/8" x 3/8" NPT ST Male	1
7	11-32291	Label, Belt Guard (BG)	1	45	2-10942	Swivel, 1/2" MP x 3/4" GHF w/Strainer	1
8	2-1100	Adapter, 1/2" x 1/2" (2527, 2820)	1	46	2-1923	Strainer, 1/2" PA, Inline Plastic	1
9	90-20012	Nut, 5/16" Flange	2	47	10-02029	Label, Danger Cool Engine	1
10	95-07104920	Handle, Lower Grab, Red	1	48	Engine, See Specifications Pages		
11	90-2002	Nut, 3/8", ESNA, NC	6	49	Engine Pulley, See Specifications Pages		
12	90-4002	Washer, 3/8", SAE, Flat	6	50	Engine Bushing, See Specifications Pages		
13	95-07104923	Retainer Bracket, Handle, Red	2	51	Belts, See Specifications Pages		
14	90-1020	Bolt, 3/8" x 2" NC, HH	4	52	Pump Bushing, See Specifications Pages		
15	90-1009	Bolt, 5/16" x 1/2"	4	53	Pump Pulley, See Specifications Pages		
16	90-40125	Washer, 3/8" x 1", Steel	2	54	95-07104922	Handle, Bumper, Red	1
17	2-01041	Pad, Soft Rubber	2	55	10-02025A	Label, Hot/Caliente w/Arrows, Warning	1
18	90-20041	Collar, 5/8" Bore Shaft, 3010	2	56	10-08017	Label, For Outdoor Use	1
19	4-0303	Wheel & Tire Assy., 4" Steel Rim w/Tube	2	57	10-9999	Label, Clear Lexan, 2-1/4" x 4-1/2"	1
20	95-07104963	Frame Assy, Small	1	58	4-12803000	Nozzle, SAQCMEG, 0003.0, Red (2527)	1
21	90-10077	Bolt, 5/16" x 1-3/4", NC, Carriage, Zinc	4		4-12803015	Nozzle, SAQCMEG 1503.0, Yellow (2527)	1
22	90-2001	Nut, 5/16", ESNA, NC	4		4-12803025	Nozzle, SAQCMEG, 2503.0, Green (2527)	1
23	90-4001	Washer, 5/16" Flat, SAE	4		4-12803040	Nozzle, SAQCMEG 4003.0, White (2527)	1
24	95-07102313	Axle, 5/8" x 19-5/8"	1		4-12804000	Nozzle, SACQMEG, 0004.5, Red (2820)	1
25	95-07104710	Slider, Pump	1		4-12804015	Nozzle, SAQCMEG 1504.0, Yellow (2820)	1
26	2-011732	Guard, Belt	1		4-12804025	Nozzle, SAQCMEG, 2504.0, Green (2820)	1
27	Hose, See Specifications Pages				4-12804040	Nozzle, SAQCMEG 4004.0, White (2820)	1
28	95-07104948	Bracket, Take Up, CW, Red	1	59	90-1007	Bolt, 5/16" x 1" NC	3
29	90-1001	Screw, 1/4" x 3/4" HH NC	2	60	2-01403	Bushing, 5/8" Snap	2
30	90-3096	Washer, 1/2", Flat, SAE	1	61	90-4000	Washer, 1/4" Flat, SAE	10
31	90-102751	Bolt, 1/2" x 3-1/2" HEX	1	62	90-2000	Nut, 1/4" ESNA, NC	8
32	11-01011	Label, Warning Pictorial Small	1	63	90-1030	Bolt, 8mm x 30mm Hex	4
33	90-4005	Washer, 5/8" Flat	2	64	9.800-049.0	Label, Cleaning Solution	1
34	90-4008	Washer, 5/16" Lock	4	65	4-16540	Nozzle, Compl, Detergent	1
35	4-011184	Injector, Detergent Assy, Non-Adj, 3-5 GPM, 0.083	1	66	95-07141120	Key, .185" Sqr. x 1.75"	1
36	90-4001	Washer, 5/16" Flat	18				
37	90-2001	Nut, 5/16" ESNA	7				
38	90-4000	Washer, 1/4"	3				

EXPLODED VIEW - 3030, 3040, 3532, 3735



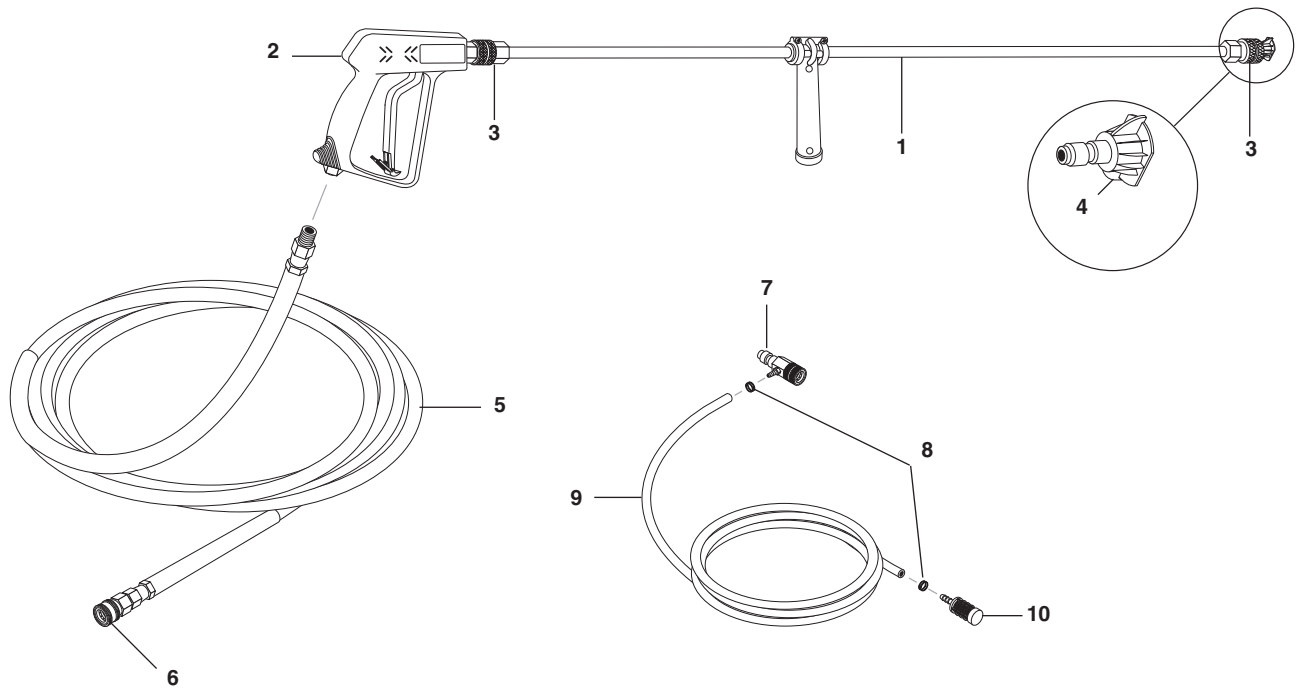
EXPLODED VIEW PARTS LIST - 3030, 3040, 3532, 3735

ITEM	PART NO.	DESCRIPTION	QTY	ITEM	PART NO.	DESCRIPTION	QTY
1	2-0103	Grommet, Rubber, Nozzle Holder	5	36	4-02100000	Hose, 1/4", Push-On, Fuel Line	1 ft.
2	95-07104921	Handle, Grab, Red	1	37	2-1089	Hose Barb, 1/4" Barb x 1/4" ML Pipe, 90° (3030, 3532, 3735)	1
3	11-0358	Label, BG Models	1	38	2-1084	Hose Barb, 1/4" Barb x 1/8" ML Pipe (3040, 3532, 3735)	1
4	95-07104945	Plate, Warning/Instr., Red	1		2-1088	Hose Barb 1/4" Barb x 1/8" ML Pipe 90° (3030)	1
5	95-07102382	Hanger, Hose/Wand	1	39	2-3100544	Valve, E-Z Start, 3/8" MPT x 1/8" FPT (3735)	1
6	90-100473	Bolt, Carriage, 1/4"-20 x 1-3/4", Zinc	6		2-3100543	Valve, EZ Start 1/4" (3030)	1
7	11-3229	Label, Belt Guard (BG)	1	40	2-0031	Elbow, 3/8", Street (3735)	1
8	90-19710	Bolt, 1/4" x 3/4" Flange	3		2-0030	Elbow, 1/4" Street (3030)	1
9	90-20012	Nut, 5/16" Flange	2	41	2-300812	Pump Protector, 1/4" PTP	1
10	95-07104920	Handle, Lower Grab, Red	1	42	Pump, See Specifications Pages		
11	90-2002	Nut, 3/8", ESNA, NC	10	43	Unloader, See Specifications Pages		
12	90-4002	Washer, 3/8", SAE, Flat	14	44	2-2007	Nipple, 3/8" x 3/8" NPT ST Male	1
13	95-07104923	Retainer Bracket, Handle, Red	2	45	2-10942	Swivel, 1/2" MP x 3/4" GHF w/Strainer	1
14	90-1020	Bolt, 3/8" x 2" NC, HH	4	46	2-1923	Strainer, 1/2" PA, Inline Plastic	1
15	90-1019	Bolt, 3/8" x 1-3/4", Tap	4	47	10-02029	Label, Danger Cool Engine	1
16	90-40125	Washer, 3/8" x 1", Steel	2	48	Engine, See Specifications Pages		
17	2-01041	Pad, Soft Rubber	2	49	Engine Pulley, See Specifications Pages		
18	90-200422	Axle Hub Black	2	50	Engine Bushing, See Specifications Pages		
19	4-0307	Wheel & Tire Assy., 6" Steel Rim w/Tube	2	51	Belts, See Specifications Pages		
20	95-07104931	Frame Assy, Large	1	52	Pump Bushing, See Specifications Pages		
21	90-10077	Bolt, 5/16" x 1-3/4", NC, Carriage, Zinc	4	53	Pump Pulley, See Specifications Pages		
22	90-2001	Nut, 5/16", ESNA, NC	4	54	95-07104922	Handle, Bumper, Red	1
23	90-4001	Washer, 5/16" Flat, SAE	4	55	10-02025A	Label, Hot/Caliente w/Arrows, Warning	1
24	95-07104002	Axle, 5/8" x 26.50" L	1	56	10-08017	Label, Intended For Outdoor Use	1
25	95-07104001	Slider, Pump	1	57	10-9999	Label, Clear Lexan, 2-1/4" x 4-1/2"	1
26	2-0117202	Guard, Belt (3030)	1	58	4-12803500	Nozzle, SAQCMEG, 0003.5, Red (3030)	1
	2-0117200	Guard, Belt (3532,3735,3040)	1		4-12803515	Nozzle, SAQCMEG 1503.5, Yellow (3030)	1
27	Hose, See Specifications Pages				4-12803525	Nozzle, SAQCMEG, 2503.5, Green (3030)	1
28	95-07104948	Bracket, Take Up, CW, Red	1		4-12803540	Nozzle, SAQCMEG 4003.5, White (3030)	1
29	90-1001	Screw, 1/4" x 3/4" HH NC	2		4-12804000	Nozzle, SAQCMEG, 0004.5, Red (3532, 3735)	1
30	90-3096	Washer, 1/2", Flat, SAE	1		4-12804015	Nozzle, SAQCMEG 1504.0, Yellow (3532, 3735)	1
31	90-102751	Bolt, 1/2" x 3-1/2" HEX	1		4-12804025	Nozzle, SAQCMEG, 2504.0, Green (3532, 3735)	1
32	90-10201	Bolt, 3/8" x 2-1/4"	2		4-12804040	Nozzle, SAQCMEG 4004.0, White (3532, 3735)	1
33	2-9040	Clamp, Hose, .46-54 ST	2				
34	90-4008	Washer, 5/16" Lock (3030)	4				
	90-400910	Washer, 7/16" Lock, Split (3040, 3532, 3735)	4				
35	4-011184	Injector, Detergent Assy, Non-Adj, 3-5 GPM, 0.083	1				

EXPLODED VIEW PARTS LIST - 3030, 3040, 3532, 3735

ITEM	PART NO.	DESCRIPTION	QTY	ITEM	PART NO.	DESCRIPTION	QTY
58	4-12803000	Nozzle, SAQCMEG 0003, Red (304037)	1	73	5-32080	Unloader, AL-VRT 607 w/Easy Start (3040)	1
	4-128-3015	Nozzle, SAQCMEG 1503 Yellow (304037)	1	74	95-07101216B	Block, Inloader, 3/8 x 3/8 Brass (3040)	1
	4-12803025	Nozzle, SAQCMEG 2503 Green (304037)	1	75	90-1020	Bolt, 3/8" x 2", NC HH (3040)	2
	4-12803040	Nozzle, SAQCMEG 4003 White (304037)	1	76	90-4002	Washer, 3/8" SAE, Flat (3040)	2
59	90-4000	Washer, 1/4" Flat	10	77	90-2002	Nut, 3/8" ESNA NC (304037)	2
60	90-2000	Nut, 1/4" ESNA	8	78	2-0006	Nipple, 3/8" Hex Steel (3040)	1
61	90-4001	Washer, 5/16" Flat	4	79	2-1060	Elbow, 3/8 x 1/2 JIC (3040)	1
62	90-2001	Nut, 5/16" ESNA	4	80	2-1042	Street Tee, 1/2" (3040)	1
63	90-4000	Washer, 1/4"	3	81	2-1053	Nipple, 1/2 x 1/2 JIC (3040)	1
64	90-1030	Bolt, 8mm x 30mm Hex(3030)	4	82	4-02110000	Hose, Push-on 1/2" (3040)	15"
	90-10343	Bolt, 10mm x 20mm (3040, 3532, 3735)	4	83	9.800-049.0	Label, Cleaning Solution	1
65	2-1037	Tee, 1/4" Branch (3030, 3532, 3735)	1	84	4-16540	Nozzle, Compl, Detergent	1
66	90-4001	Washer, 5/16" Flat (3030)	4	85	90-4005	Washer, 5/8" Flat	2
	90-4002	Washer, 3/8" Flat (3040, 3532, 3735)	4	86	2-1105	Swivel, 1/2" JIC, Female, Push-On (3040)	2
67	2-1100	Adapter, 1/2" x 1/2"	1	87	95-07141121	Key, .247" Sqr. x 2.125"	1
68	2-1024	Elbow, 1/2" Street, Brass (3040)	1	88	11-01011	Label, Warning, Pictoral, Small	1
69	2-0053	Elbow, 1/2 JIC, 3/8, 90°(3040)	1				
70	4-02047920	Hose, 3/8" x 20", 5800, 2 Wire, Pressure Loop (3040)	1				
71	2-0051	Nipple, 1/2 JIC, 3/8 Pipe (3040)	1				
72	2-300816	Pump Protector, 3/8" PTP (3040)	1				

HOSE & SPRAY GUN ASSEMBLY

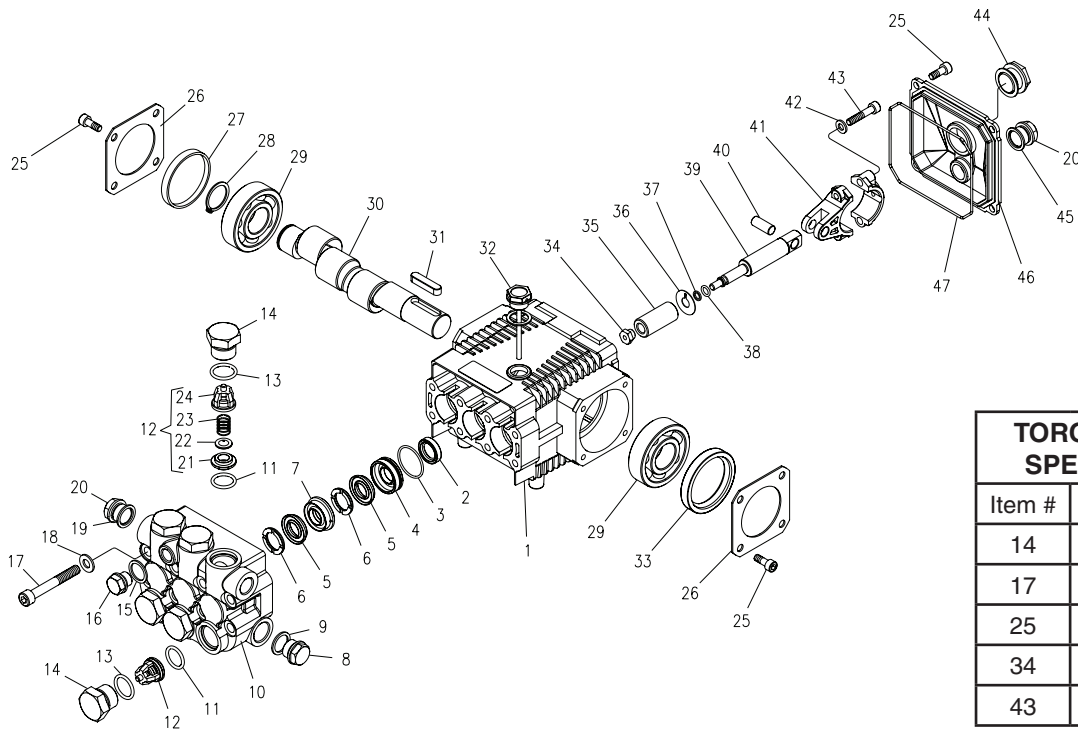


HOSE & SPRAY GUN ASSEMBLY PARTS LIST

ITEM	PART NO.	DESCRIPTION	QTY	ITEM	PART NO.	DESCRIPTION	QTY
1	4-0110322	Wand Assy., Side Grip W/1/4" Coupler 35-1/2" (BG)	1	6	2-2002	Coupler, 3/8" Female, Brass	1
2	4-01246	Spray Gun, AP 1000 (BG)	1	7	3-12021	Injector, Detergent, Non-Adjust, 3-5 GPM, .083	1
3	2-2000	Coupler, 1/4" Female, Brass (BG)	1	8	2-9040	Clamp, Hose	2
4	Nozzle, Please See Exploded Views For Sizes			9	4-02080000	Tube, 1/4" x 1/2" Clear Vinyl	6 ft.
5	4-02093450BC	Hose, 3/8" x 50', 1 Wire Blue, w/Coupler (BG-252737, BG-282037, BG-303037)	1	10	2-1904	Strainer	1
	4-02073450RC	Hose, 3/8" x 50', 2 Wire Blue, w/Coupler (BG-304037, BG-353237, BG-373537)	1				

D SERIES PUMP EXPLODED VIEW

5-1409



TORQUE SPECS	
Item #	Ft.-lbs
14	65
17	22
25	8
34	9
43	13

D SERIES PUMP EXPLODED VIEW PARTS LIST

ITEM	PART NO.	DESCRIPTION	QTY	ITEM	PART NO.	DESCRIPTION	QTY
1	70-020292	Crankcase	1	20	70-160117	Brass Plug 3/8	2
2*	See Kits Below	Plunger Oil Seal	3	25	70-180112	Screw	12
3*	70-060181	O-Ring Ø1.78 x 28.30	3	26	70-020318	Bearing Cover	2
4*	70-120131	Pressure Ring 15mm	3	27	70-020502	Bearing Seal	1
5*	See Kits Below	"V" Seal, 15mm	6	28	70-150003	Snap Ring	1
6*	70-030048	Support Ring 15mm	6	29	70-021300	Ball Bearing	2
7*	70-030049	Intermed. Ring 15mm	3	30	70-000605	Crankshaft	1
8	70-160120	Brass Plug 1/2"	1	31	70-020604	Crankshaft Key	1
9	70-060307	Copper Washer 1/2"	1	32	70-160012	Oil Dipstick	1
10	70-160228	Manifold Housing	1	33	70-000110	Crankshaft Seal	1
11*	70-060155	O-Ring Ø1.78 x 15.54	6	34*	70-030211	Plunger Nut	3
12*	See Kits Below	Valve Assembly	6	35*	70-120023	Plunger, 15mm	3
13*	70-060122	O-Ring Ø2.62 x 18.77	6	36*	70-140027	Copper Spacer	3
14	70-160147	Valve Plug	6	37*	70-060130	O-Ring Ø1.78 x 5.28	3
15	70-060308	Copper Washer 1/4	1	38*	70-000913	Teflon Ring	3
16	70-160121	Brass Plug G1/4	1	39*	70-000320	Plunger Rod	3
17	70-180118	Manifold Stud Bolt	8	40	70-150204	Connecting Rod Pin	3
18	70-140001	Washer	8	41	70-010008	Connecting Rod	3
19	70-060306	Copper Washer 3/8	1	42	70-140102	Spring Washer	6

D SERIES PUMP EXPLODED VIEW PARTS LIST (CONT.)

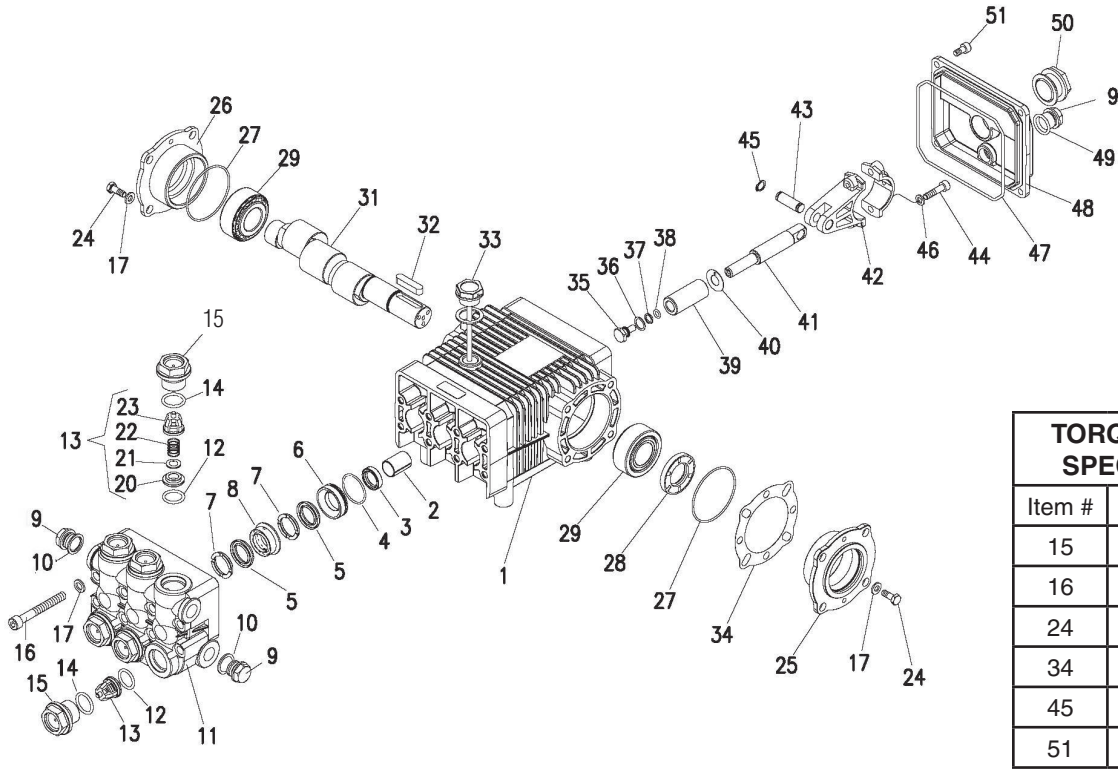
ITEM	PART NO.	DESCRIPTION	QTY
43	70-180132	Connecting Rod Screw	6
44	70-070005	Sight Glass	1
45	70-060302	Gasket	1
46	70-020352	Crankcase Cover	1
47	70-060104	O-Ring Ø2.62 x 107.6	2

* Available in kit (See below)

REPAIR KIT NUMBER	70-261408	70-261409	70-261404	70-260028	70-260826
KIT DESCRIPTION	*Plunger Seal 15mm	**Complete Seal Packing	Plunger 15mm	Complete Valve	Plunger Oil Seals
ITEM NUMBERS INCLUDED	3, 5, 6	2, 3, 4, 5, 6, 7	34, 35, 36, 37, 38	11, 12, 13	2
NUMBER OF CYLINDERS KIT WILL SERVICE	3	1	1	6	3

SM-1 SERIES PUMP EXPLODED VIEW

5-1412 SM3540
5-1420 SM4035-1



TORQUE SPECS	
Item #	Ft.-lbs
15	75
16	22
24	8
34	9
45	13
51	8

SM-1 SERIES PUMP EXPLODED VIEW PARTS LIST

ITEM	PART NO.	DESCRIPTION	QTY	ITEM	PART NO.	DESCRIPTION	QTY
1	70-020231	Crankcase	1	9	70-160120	Brass Plug 1/2"	1
2	70-060201	Plunger Guide	3	10	70-060307	Copper Washer 1/2"	1
3*	See Kits Below	Plunger Oil Seal	3	11	70-160216	Manifold Head	1
4*	70-060107	O-Ring Ø1.78 x 31,47	3	12*	70-060119	O-Ring Ø2.62 x 17.13	6
5*	See Kits Below "V" Seal (4035)		6	13*	See Kits Below	Valve Assembly	6
	See Kits Below "V" Seal (4030, 5030)		6	14*	70-060165	O-Ring Ø2.62 x 20.29	6
	See Kits Below "V" Seal (3540)		6	15	70-160130	Valve Plug	6
6*	70-120106	Pressure Ring 18mm (4035)	3	16	70-180103	Manifold Stud Bolt	8
	70-120105	Pressure Ring 20mm (4030, 5030)	3	17	70-140001	Washer	16
	70-120120	Pres Ring 15mm (3540)	3	18	70-060306	Copper Washer 3/8	1
7*	70-030007	Support Ring 18mm (4035)	6	19	70-160117	Brass Plug 3/8	1
	70-030009	Support Ring 20mm (4030, 5030)	6	24	70-180203	Hexagonal Screw	8
	70-030027	Support Ring 15mm (3540)	6	25	70-050060	Bearing Housing	1
8*	70-030011	Intermed. Ring 18mm (4035)	3	26	70-050061	Closed Bearing Housing	1
	70-030010	Intermed. Ring 20mm (4030, 5030)	3	27	70-060163	O-Ring Ø1.78 x 60.05	2
	70-030020	Intermediate Ring 15mm (3540)	3	28	70-000102	Crankshaft Seal	1
				29	70-020003	Tapered Roller Bearing	2
				31	70-000485	Crankshaft (5030,3540)	1
					70-000486	Crankshaft (4030,4035/H)	1
				32	70-020604	Crankshaft Key	1
				33	70-160006	Oil Dip Stick	1
				34	70-030102	Shim	2

SM-1 SERIES PUMP EXPLODED VIEW PARTS LIST (CONT.)

ITEM	PART NO.	DESCRIPTION	QTY
35*	70-180001	Plunger Bolt	3
36*	70-140012	Copper Spacer	3
37*	70-060103	O-Ring Ø1.78 x 7.66	3
38*	70-000904	Teflon Ring	3
39*	See Kits Below	Plunger (4035, 4035H)	3
	See Kits Below	Plunger (4030, 5030)	3
	See Kits Below	Plunger (3540)	3
40*	70-140015	Copper Spacer	3
41	70-000301	Plunger Rod	3
42	70-010001	Connecting Rod	3
43	70-150201	Connecting Rod Pin	3
44	70-180105	Connecting Rod Screw	6
45	70-150001	Snap Ring	6
46	70-140102	Spring Washer	6
47	70-060009	O-Ring, Ø2.62 x 126.67	1
48	70-020350	Crankcase Cover	1
49	70-060302	O-Ring, Ø1.78 x 14	1
50	70-070005	Sight Glass 3/4	1
51	70-180112	Cover Screw	5
52	70-000929	▲ Bach Ring 1/2" (4035H)	3

* Available in kit (See below) ▲ Not Shown

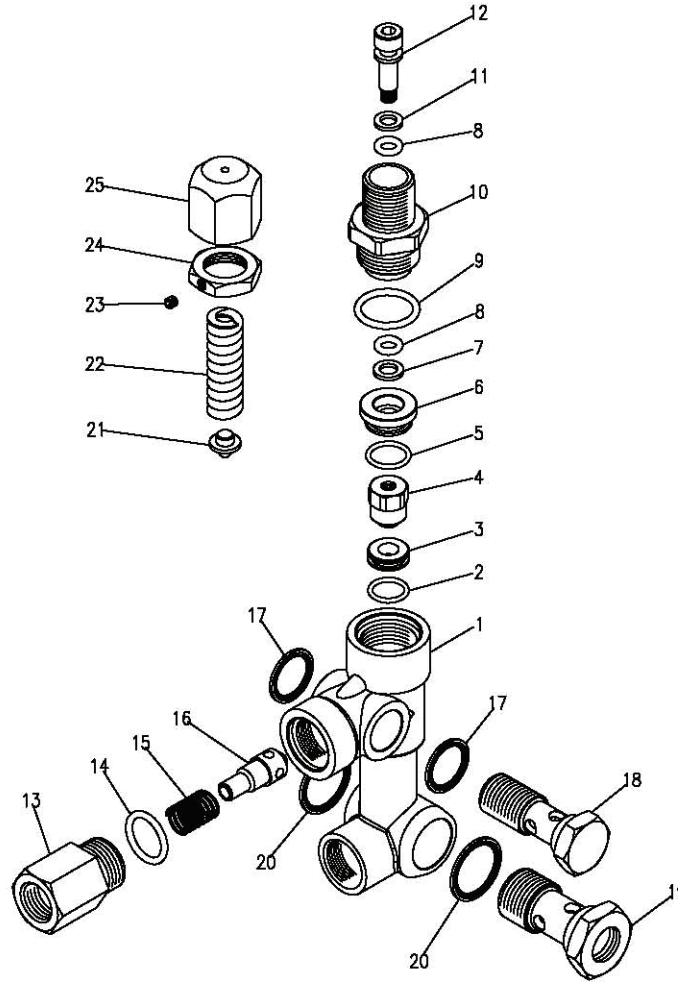
REPAIR KIT NUMBER	70-261216	70-260821	70-260824	70-261210	70-260810	70-260825	70-261217	70-260822	70-260823	70-260007	70-260027
KIT DESCRIPTION	*Plunger Seal SM-4035	Plunger Seal SM-4030 SM-5030	Plunger Seal SM-3540	**Complete Seal Packing SM-4035	Complete Seal Packing SM-4030 SM-5030	Complete Seal Packing SM-3540	Plunger SM-4035 SM-4035H	Plunger SM-4030 SM-5030	Plunger SM-3540	Complete Valve	Plunger Oil Seals
ITEM NUMBERS INCLUDED	4, 5, 7	4, 5, 7	4, 5, 7	3, 4, 5, 6, 7, 8	3, 4, 5, 6, 7, 8	3, 4, 5, 6, 7, 8	34, 35, 36, 37, 38, 39	34, 35, 36, 37, 38, 39	34, 35, 36, 37, 38, 39	12, 13, 14	3
NO. OF CYLINDERS KIT WILL SERVICE	3	3	3	1	1	1	1	1	1	6	3

* For SM 4035H High Heat Packings, Use 70-261212 **For SM 4035H High Heat Packings, Use 70-261213

VBA35 UNLOADER EXPLODED VIEW

5-3329

5-3330



VBA35 UNLOADER EXPLODED VIEW PARTS LIST

ITEM	PART NO.	DESCRIPTION	QTY	ITEM	PART NO.	DESCRIPTION	QTY
1	70-020452	Body Valve (M/S)	1	16	70-110207	Poppet KIT B	1
	70-020444	Body Valve (G/E/D)	1	17	70-140802	Seal Washer, 3/8"	2
2	70-060141	O-Ring Kit A, C	1	18	70-180004	Hollow Bolt, 3/8"	1
3	70-150316	Seat Kit C	1	19	70-180008	Hollow Bolt, 1/2"	1
4	70-450401	Ball, Sub-Assy Kit C	1	20	70-140803	Seal Washer, 1/2"	2
5	70-060114	O-Ring Kit A	1	21	70-120212	Plate Kit C	1
6	70-010111	Guide Bushing	1	22	70-090037	Spring Kit C	1
7	70-000919	Teflon Ring Kit A	1	23	70-180304	Set Screw	1
8	70-060170	O-Ring Kit A	2	24	70-030209	Nut	1
9	70-060162	O-Ring Kit A	1	25	70-090520	Brass Handle	1
10	70-140734	Connector	1				
11	70-000918	Teflon Ring Kit A	1	KIT A	70-262813	O-Ring Repair Kit	
12	70-120611	Stem Kit C	1	KIT B	70-262814	Outlet Kit	
13	70-140702	Connector, Female	1	KIT C	70-262815	Stem Repair Kit	
14	70-060119	O-Ring Kit A, B	1				
15	70-090004	Spring Kit B	1				

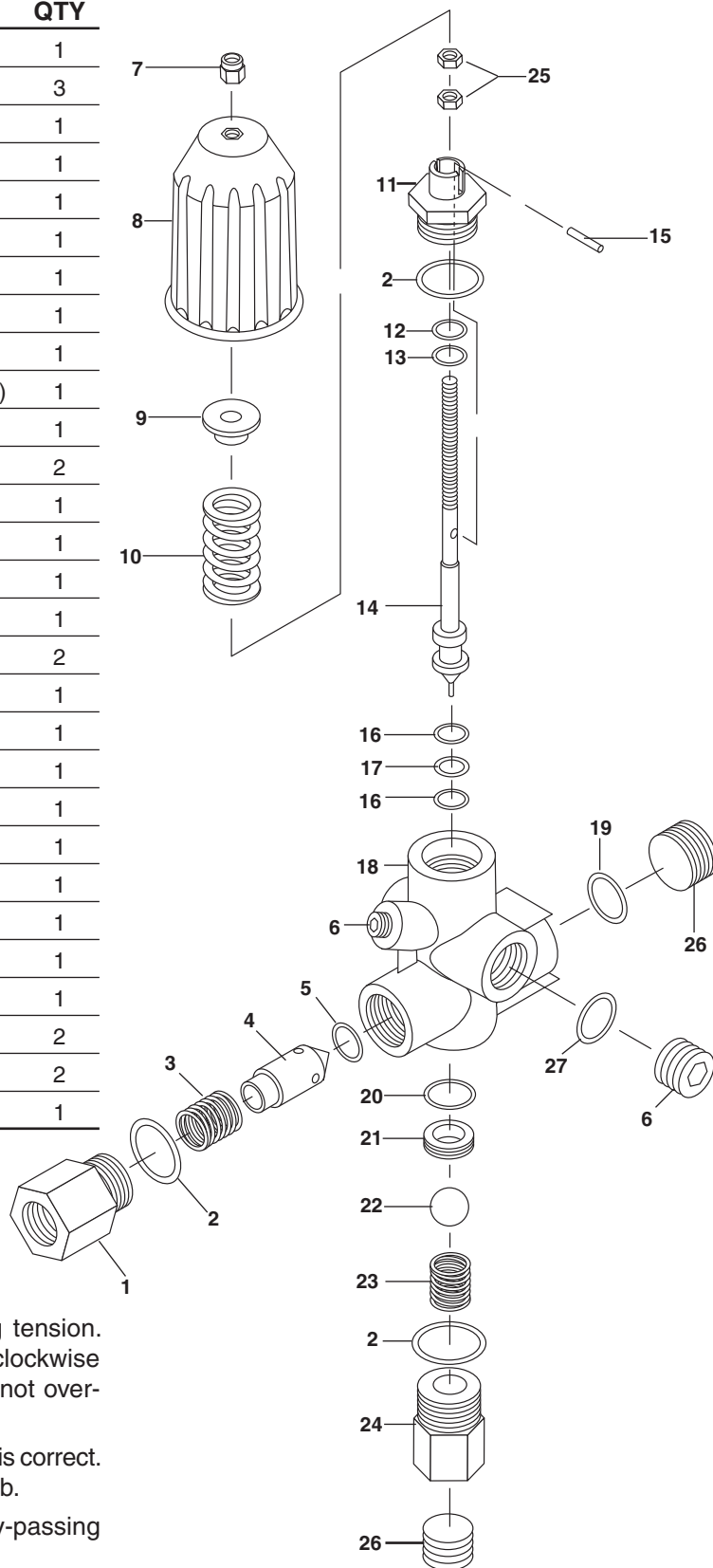
UNLOADER EXPLODED VIEW

AR - AL 607 #5-3208

7-8 Gpm, 4200 PSI

ITEM	PART NO.	DESCRIPTION	QTY
1	83-005150010	Check Connector	1
2	83-005060108	‡ O-Ring 2068	3
3	83-005100002	Shutter Spring	1
4	83-004120000	Shutter	1
5	83-004060109	‡ O-Ring 631290 SH	1
6	83-005170102	1/4 G Plug	1
7	83-005030101	M8 Lock Nut	1
8	83-005100100	Knob	1
9	83-005150101	Washer	1
10	83-005400403	4000 PSI Spring (Black)	1
11	83-005150011	Stem Guide Union	1
12	83-005000102	‡ Back Ring	2
13	83-005060106	‡ O-Ring 2031	1
14	83-005160502	Stem AL606	1
	83-005160514	Stem AL607	1
15	83-005106301	Spring Pin	1
16	83-005000101	Back Ring	2
17	83-005060101	‡ O-Ring 2050	1
18	83-005020003	Body By Pass 1/4 G-F	1
	83-005020026	Body By Pass 3/8 G-F	1
19	83-005060200	3/8 Gasket	1
20	83-001060129	‡ O-Ring 2043	1
21	83-001060200	‡ Seat	1
22	83-001160000	‡ Ball	1
23	83-005100003	Ball Spring	1
24	83-005150009	Seat Union	1
25	83-005030200	M8 Nut	2
26	83-005170101	3/8G Plug	2
27	83-005060201	Gasket	1

83-005650200 ‡ Repair Kit



ADJUSTING

Start with the valve set at its lowest spring tension. Raise pressure by turning adjusting knob clockwise until pressure is at the desired position. Do not over-tighten.

Open and close spray gun to be sure pressure is correct. Raise or lower pressure by adjusting the knob.

Do not by-pass more than 5 minutes when by-passing to the suction side of the pump.

SPECIFICATIONS

Model	GPM	Pressure	Nozzle		Pump	Unloader	Engine	Engine	Pump	Pump Pulley
		(PSI)	Size	Pump	Part No.	Part No.	HP	Part #	Pulley	Part No.
BG-282037	2.8	2000	4.0	SD3030	5-1409	5-3329	5.5	5-0104	AK74H	5-40107401
BG-252737	2.5	2700	3.0	SD3030	5-1409	5-3329	6.5	5-01041	BK80H	5-40408001
BG-303037	3.0	3000	3.5	SD3030	5-1409	5-3329	9	5-0102	2BK80H	5-40508001
BG-304037	3.07	4000	3.0	SM3540	5-1412	5-32080	13	5-010721	2BK80H	5-40508001
BG-353237	3.5	3200	4.0	SM4035	5-1420	5-3330	13	5-010721	2BK90H	5-40509001
BG-373537	3.7	3500	4.0	SM4035	5-1420	5-3330	13	5-010721	2BK90H	5-40509001

SPECIFICATIONS

Model	Pump Bushing	Bushing Part No.	Engine Pulley	Pulley Part No.	Engine Bushing	Bushing Part No.	Belt Size	Belt Part No.
BG-282037	24MM	5-512024	AK39H	5-40103901	Hx3/4"	5-511075	AX33	5-602033
BG-252737	24MM	5-512024	BK36H	5-40403601	Hx3/4"	5-511075	BX32	5-604032
BG-303037	24MM	5-512024	2BK40H	5-40504001	Hx1"	5-511100	BX38 (2)	5-604038
BG-304037	24MM	5-512024	2BK40H	5-40504001	Hx1"	5-511100	BX38 (2)	5-604038
BG-353237	24MM	5-512024	2BK32H	5-40503201	Hx1"	5-511100	BX39 (2)	5-604039
BG-373537	24MM	5-512024	2BK32H	5-40503201	Hx1"	5-511100	BX39 (2)	5-604039