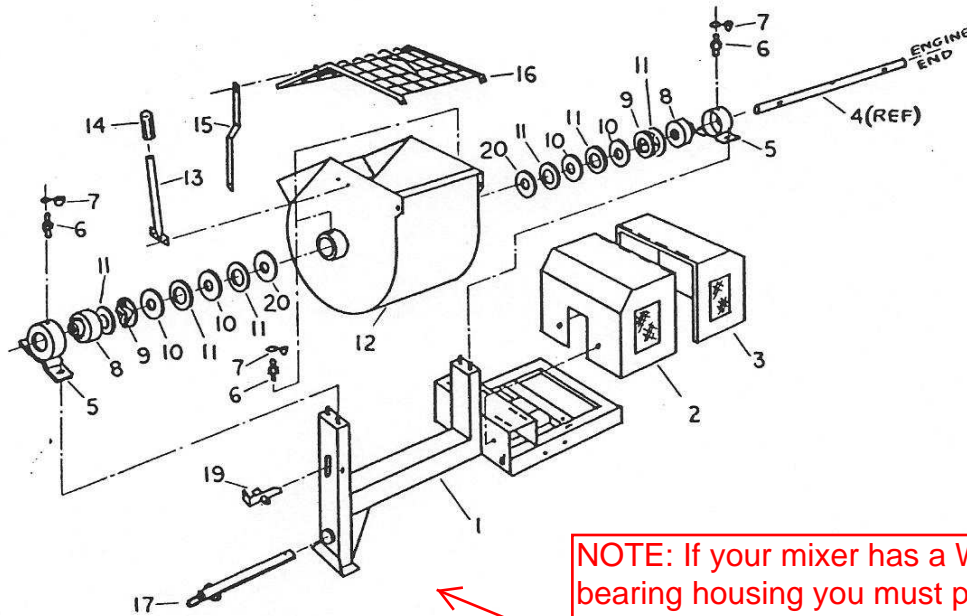


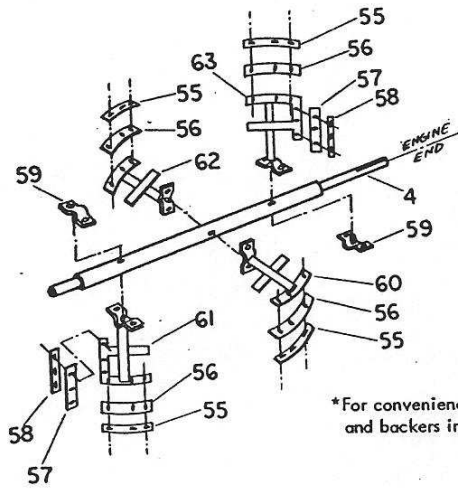
900 - 1500PM FRAME AND DRUM ASSEMBLY



NOTE: If your mixer has a **WELDED ON** bearing housing you must purchase this bearing kit version: **ST22153**
 The **ST23432** featured here is for the **BOLT** on version **ONLY**.

ITEM	DESCRIPTION	(QUANTITY) PART NUMBER				
		900PM	1100PM	1100PM TJD Engine	1500PM	1500PM TJD Engine
1	Frame	(1) 24258	(1) 24259	(1) 26079		
2	Cowl - rear	(1) 24269	(1) 24269	(1) 26120	(1) 24903 (1) 24269	(1) 26080 (1) 26120
3	Cowl - front	(1) 24266	(1) 24266	(1) 26121		
5	Trunnion Housing	(2) 24021	(2) 24021	(2) 24021	(1) 24266 (2) 24021	(1) 26121 (2) 24021
6	Lube Fitting	(4) 46012	(4) 46012	(4) 46012		
7	Lube Fitting Cap	(4) 47001	(4) 47001	(4) 47001	(4) 46012 (4) 47001	(4) 46012 (4) 47001
8	Bearing	(2) 32003	(2) 32003	(2) 32003		
9	Double Spacer	(2) 26230	(2) 26230	(2) 26230	(2) 32003 (2) 26230	(2) 32003 (2) 26230
10	Seal	(4) 24022	(4) 24022	(4) 24022		
11	Single Spacer	(6) 24017	(6) 24017	(6) 24017	(4) 24022 (6) 24017	(4) 24022 (6) 24017
12	Drum	(1) 24263	(1) 24264	(1) 24264		
13	Dump Handle	(1) 24763	(1) 24763	(1) 24763	(1) 24982	(1) 24982
14	Grip	(1) 47023	(1) 47023	(1) 47023		
15	Guard Lifter	(1) 24127	(1) 24127	(1) 24127		
16	Guard	(1) 24256	(1) 24261	(1) 24261		
17	Tow Pole	(1) 24345	(1) 24345	(1) 24345	(1) 24917 (1) 24345	(1) 24917 (1) 24345
19	Drum Latch	(1) 24027	(1) 24027	(1) 24027		
20	Seal - inner	(2) 26279	(2) 26279	(2) 26279	(1) 24027 (2) 26279	(1) 24027 (2) 26279

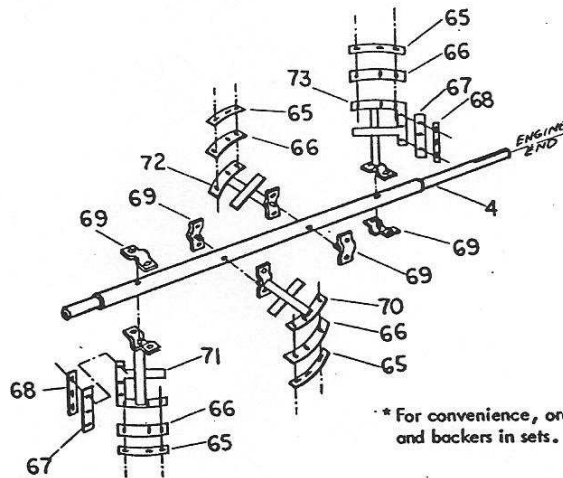
900PM PADDLE ASSEMBLY



*For convenience, order blades and backers in sets.

ITEM	DESCRIPTION	QTY	PART NO.
4	Paddle Shaft	1	24255
55	Backer - Center	4	24104 *
56	Blade Rubber - Center	4	24106 *
56	Blade Steel - Center	4	24109 *
57	Blade Rubber - End	2	24105 *
57	Blade Steel - End	2	24108 *
58	Backer - End	2	24103 *
59	Clamp	2	24862
60	Paddle T.C.	1	24112
61	Paddle T.E.	1	24111
62	Paddle E.C.	1	24110
63	Paddle E.E.	1	24113
	Rubber Blade Set	1	21019
	Steel Blade Set	1	21024
	Backer Set	1	21026

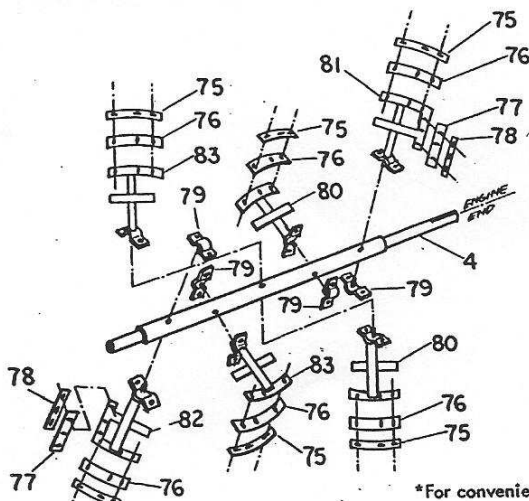
1100PM PADDLE ASSEMBLY



*For convenience, order blades and backers in sets.

ITEM	DESCRIPTION	QTY	PART NO.
4	Paddle Shaft	1	24260
65	Backer - Center	4	24104 *
66	Blade Rubber - Center	4	24106 *
66	Blade Steel - Center	4	24109 *
67	Blade Rubber - End	2	24105 *
67	Blade Steel - End	2	24108 *
68	Backer End	2	24103 *
69	Clamp	4	24862
70	Paddle T.C.	1	24112
71	Paddle T.E.	1	24111
72	Paddle E.C.	1	24110
73	Paddle E.E.	1	24113
	Rubber Blade Set	1	21019
	Steel Blade Set	1	21024
	Backer Set	1	21026

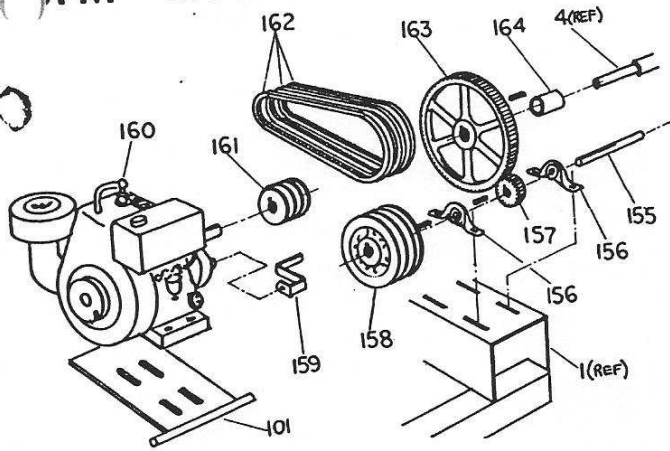
1500PM PADDLE ASSEMBLY



*For convenience, order blades

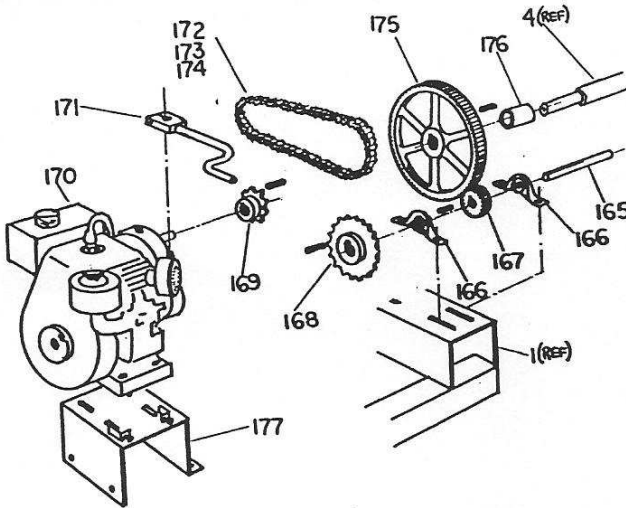
ITEM	DESCRIPTION	QTY	PART NO.
4	Paddle Shaft	1	24958
75	Backer - Center	6	24104 *
76	Blade Rubber - Center	6	24106 *
76	Blade Steel - Center	6	24109 *
77	Blade Rubber - End	2	24105 *
77	Blade Steel - End	2	24108 *
78	Backer - End	2	24103 *
79	Clamp	4	24862
80	Paddle E.C.	2	24110
81	Paddle E.E.	1	24113
82	Paddle T.E.	1	24111
83	Paddle T.C.	2	24112
	Rubber Blade Set	1	21116
	Steel Blade Set	1	21117

900PM - 1500PM FOOT OPERATED CLUTCH, GAS DRIVEN, POWER TRAIN



ITEM	DESCRIPTION	QTY	PART NO.	PART NO.	PART NO.
			9HP B & S	9.2 HP Wisc.	12 HP Kohler
155	Countershaft	1	24036	24036	24036
156	Pillow Block	2	32061	32061	32061
157	Pinion	1	24328	24328	24328
158	Sheave - 3BK90H-1	1	34518	34518	34518
159	Belt Guide	1	26199	26199	26199
160	Engine	1	30012	30013	30040
161	Sheave - Small	1	34523	34517	34517
162	Belt	3	34008	34008	34549
163	Gear	1	24329	24329	24329
164	Spacer	1	24048	24048	24048
101	Motor Base	1	24395	24395	24395

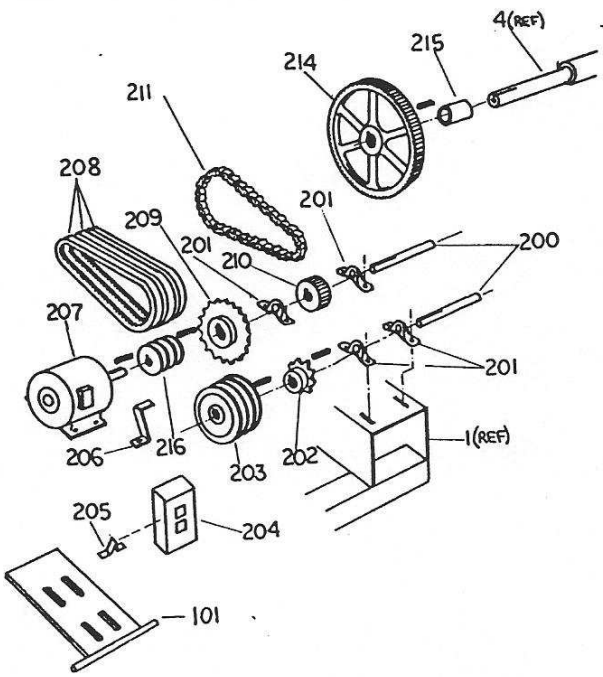
900PM - 1500PM WISCONSIN AENL ENGINE WITH ENCLOSED HAND CLUTCH, POWER TRAIN



ITEM	DESCRIPTION	QTY	PART NO.
165	Countershaft	1	24036
166	Pillow Block	2	32061
167	Pinion	1	24328
168	Sprocket 60B36-1	1	34546
169	Sprocket 60B16-1-1/8	1	34545
170	Engine/Clutch	1	30026
171	Clutch Handle	1	26180
172	Chain RC60	1	21185
175	Gear	1	24329
176	Spacer	1	24048
177	Motor Base	1	24198

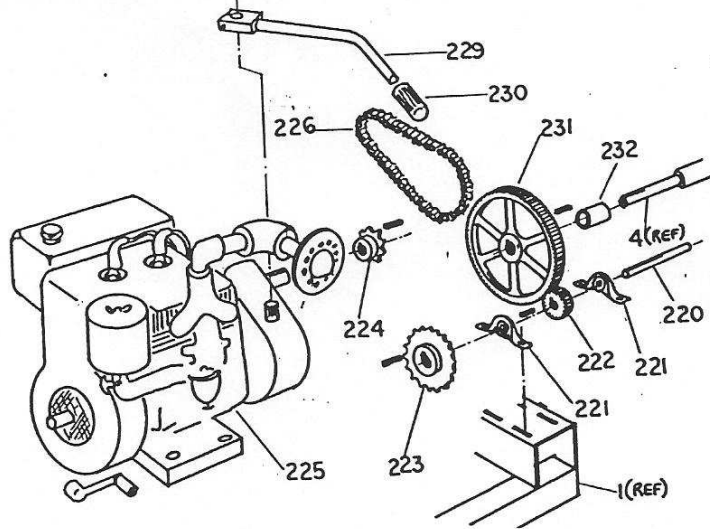
X

900PM - 1500PM ELECTRIC DRIVE, POWER TRAIN



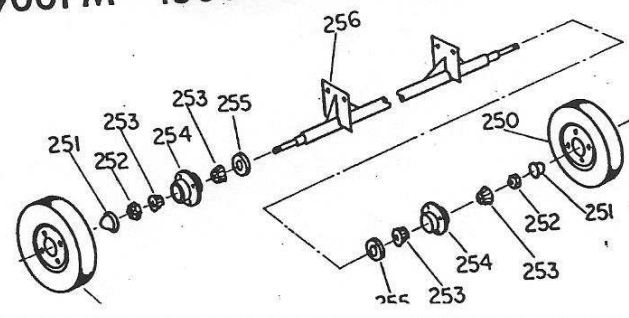
ITEM	DESCRIPTION	QTY	PART NO.	
			3 HP Electric	5 HP Electric
200	Countershaft	2	24036	24036
201	Pillow Block	4	32061	32061
202	Sprocket 60B12-1	1	34128	34128
203	Sheave 3BK130-1	1	34522	34522
204	Motor Starter	1	36019	36020
205	Heater for Starter	1	36027	36028
206	Belt Guide	1	26071	26071
207	Motor	1	30014	30033
208	Belt B46SC	3	34077	34077
209	Sprocket 60B24-1	1	34129	34129
210	Pinion	1	24328	24328
211	Chain RC60	1	21186	21186
214	Gear	1	24329	24329
215	Spacer	1	24048	24048
216	Sheave 3BK34 1-1/8	1	34517	34517
101	Motor Base	1	24395	24395

1100PM - 1500PM WISCONSIN TJD ENGINE, POWER TRAIN



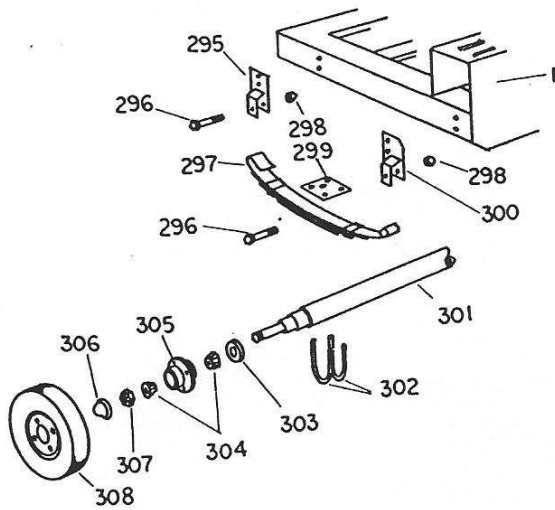
ITEM	DESCRIPTION	QTY	PART
220	Countershaft	1	24036
221	Pillow Block	2	32061
222	Pinion	1	24328
223	Sprocket 80B30-1	1	34522
224	Sprocket 80B13-1 11/16	1	34522
225	Engine TJD	1	30014
226	Chain RC80	1	21186
229	Clutch Lever	1	26111
230	Grip	1	470
231	Gear	1	24329
232	Spacer	1	24048

900PM - 1500PM STANDARD WHEEL AND AXLE



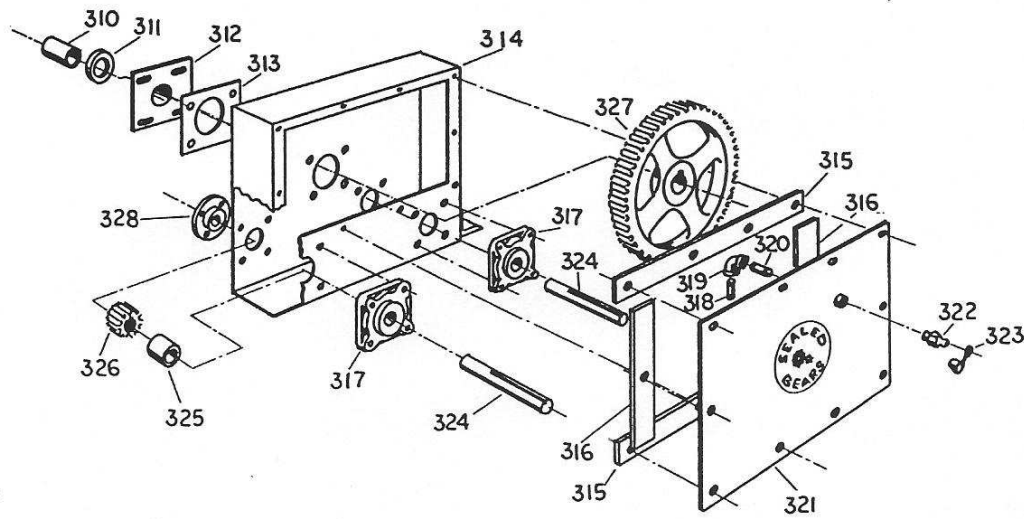
ITEM	DESCRIPTION	QTY	PART NO.
250	Tire & Rim 6.00 x 13	2	34134
251	Cap Plug	2	34573
252	Nut	2	-
253	Bearing	4	32051
254	Hub	2	34501
255	Seal	2	32052
256	Axle	1	24101

900PM - 1500PM OPTION 21115 60" WIDE HEAVY DUTY AXLE
WITH LEAF SPRINGS AND 6.00 x 13 HIGH SPEED WHEELS



ITEM	DESCRIPTION	QTY	PART NO.
295	Rear Spring Support	2	26198
296	9/16-18-3 Bolt	4	-
297	Spring	2	34547
298	9/16-18 Flex Nut	4	-
299	Washer Plate	2	26196
300	Front Spring Support	2	26197
301	Axle	1	26070
302	U Bolt	4	26195
303	Seal	2	32052
304	Bearing	4	32051
305	Hub	2	34501
306	Cap Plug	2	34573
307	Nut	2	-
308	Tire & Rim 6.00 x 13	2	34548
-	Complete Assembly	1	21115

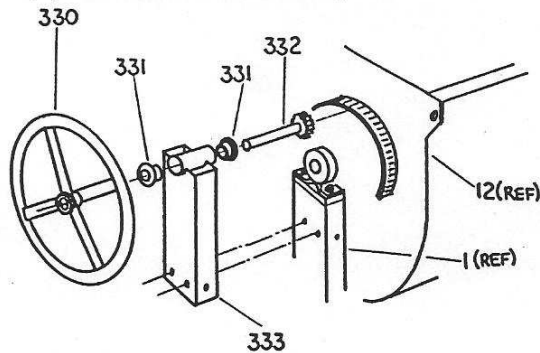
900PM - 1500PM SEALED GEARS
Option 21111 Gas, 21177 Electric (shown in diagram)



ITEM	DESCRIPTION	(QUANTITY)	
		ELECTRIC	GASOLINE
310	Gear Spacer	(1) 24881	(1) 24881
311	Seal	(1) 32059	(1) 32059
312	Seal Housing	(1) 26286	(1) 26286
313	Seal Hsg. Seal	(1) 26302	(1) 26302
314	Housing	(1) 26316	(1) 26300
315	Seal Top & Bottom	(2) 24883	(2) 24883
316	Seal - Side	(2) 24879	(2) 24879
317	Bearing	(2) 32069	(1) 32069
318	Nipple 1/8 x 1-1/2	(1) 46258	(1) 46258
319	Elbow	(1) 46235	(1) 46235

ITEM	DESCRIPTION	(QUANTITY)	
		ELECTRIC	GASOLINE
320	Nipple 1/8 x 2	(1) 46035	(1) 46035
321	Cover	(1) 26289	(1) 26289
322	Grease Fitting	(1) 46017	(1) 46017
323	Grease Cap	(1) 47001	(1) 47001
324	Counter Shaft	(2) 24036	(1) 24036
325	Spacer	(1) 26303	(1) 26303
326	Pinion	(1) 24328	(1) 24328
327	Gear	(1) 24329	(1) 24329
328	Bearing	(2) 32068	(1) 32068

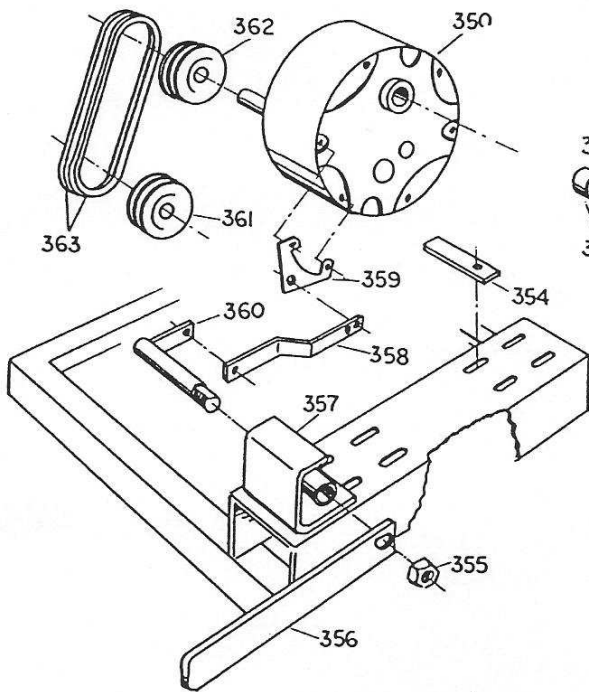
1500PM DUMP MECHANISM



ITEM	DESCRIPTION	QTY	PART NO.
330	Hand Wheel	1	24339
331	Bearing	2	32032
332	Tilt Shaft	1	24362
333	Post Extension	1	24904

900- 1500PM, BOSTON GEAR BOX

900 - 1500PA



Item	Part No.	Description	9 hp. B & S	2.2 hp. Wisc	9.2 hp. Wisc/clutch	12 hp. Kohler	18 hp. Wisc	31 Electric
350	34608	Gear Box						
350	34609	Gear Box	1	1	1	1	1	
351	26337	Drum Shaft (550PM)						
351	26338	Drum Shaft (650PM)						
351	26339	Drum Shaft (750PM)	1	1	1	1	1	
351	26415	Drum Shaft (900PM)						
351	26416	Drum Shaft (1100PM)		1	1	1	1	
351	26417	Drum Shaft (1500PM)			1	1	1	
352	26340	Shaft Spacer	1	1	1	1	1	
352	26426	Shaft Spacer	1	1	1	1	1	
354	26341	Belt Guide	1	1		1	1	
354	26425	Belt Guide	1	1		1	1	
355		3/4-16 Nut	1	1		1	1	
356	26335	Clutch Lever	1	1		1	1	
357	26332	Pivot Tube Assembly	1	1		1	1	
358	26331	Push Rod						
358	26418	Push Rod	1	1		1	1	
359	26336	Reaction Plate						
359	26426	Reaction Plate	1	1	1	1	1	
360	26330	Pivot Bar Assembly	1	1		1	1	
361	34521	Sheave, mtr 2AK44/3/4						
361	34538	Sheave, mtr 2AK23/3/4						
361	34051	Sheave, mtr 2AK44/1						
361	34050	Sheave, mtr 2AK30/1						
361	34612	Sheave, mtr 2AK44/7/8						
361	34613	Sheave, mtr 2AK44/1-1/8						
361	34523	Sheave, mtr 3BK41/1	1					
361	34517	Sheave, mtr 3BK34/1-1/8				1	1	
361	34545	Sprocket, mtr 60B16/1-1/8			1			
361	34530	Sprocket, mtr 80B13/1-11/16					1	
362	34614	Sheave, g.b., 2AK44/15/16						
362	34615	Sheave, g.b., 2AK92/15/16						
362	34628	Sheave, g.b., 3BK47/1-3/8	1					
362	34629	Sheave, g.b., 3BK34/1-3/8		1		1		
362	34630	Sheave, g.b., 3BK90/1-3/8						1
362	34631	Sheave, g.b., 60B16/1-3/8			1			
362	34632	Sheave, g.b., 80B13/1-3/8					1	
363	34159	Belt, AP30						
363	34509	Belt, A37						
363	34617	Belt, A28						
363	34616	Belt, A22						
363	34618	Belt, A36						
363	34028	Belt, A29						
363	34008	Belt, B38	3	3		3		
363	34549	Belt, B35						3 3
363	34113	Chain, RC60						
363	34533	Chain, RC80						

A/R A/R