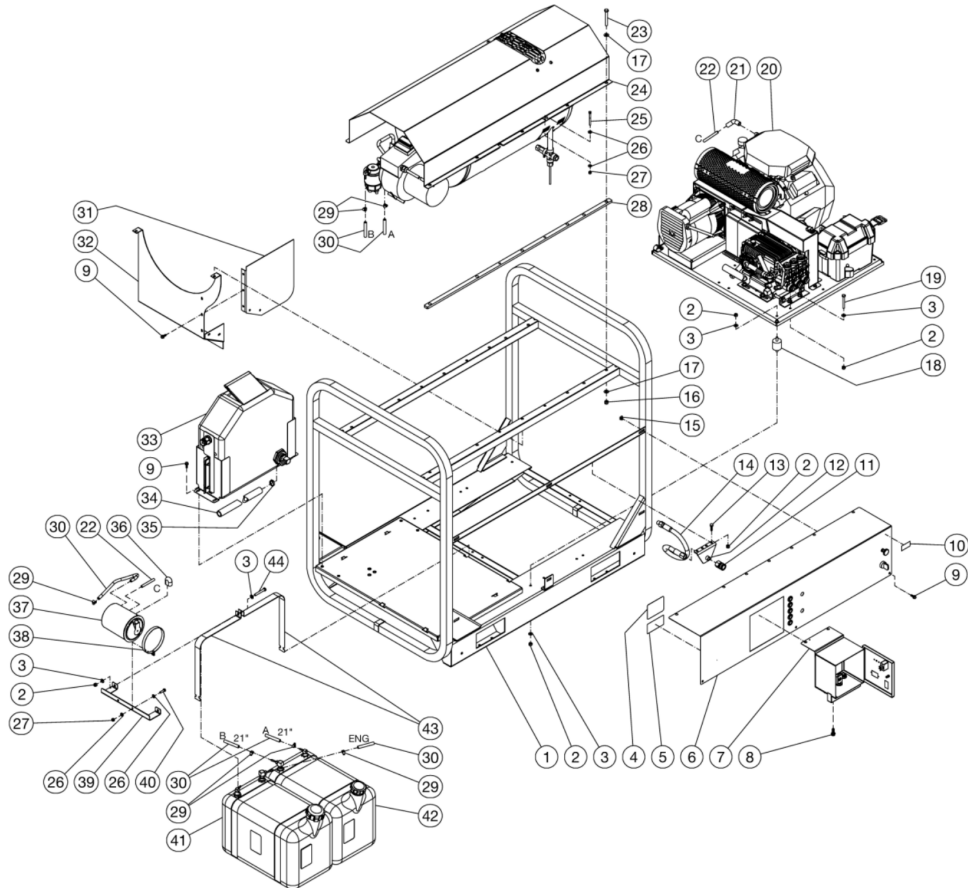




HS-3505-0MGK / HS-3505-0MGK (sn:15045001-99999999)

UNIT ASSEMBLY



Id	Item #	Description	Quantity	Rev	Comments
1	5-0275A18	FRAME (GASOLINE MODELS)	1		
1	N/A	FRAME (DIESEL MODELS)	1		
2	30-0157	LOCKNUT	22		
3	28-0003	WASHER	22		
4	34-1138	DECAL - DATA PLATE	1		
5	N/A	DECAL- SILVER STICKER	1		
6	N/A	HS_HVS CONTROL PANEL ASSY (GASOLINE MODELS)	1		
6	N/A	HS_HVS KUBOTA CONTROL PANNEL ASSY (DIESEL MODELS)	1		
7	N/A	ELECTRIC BOX ASSEMBLY	1		
8	27-1201	BOLT	2		
9	27-1200	BOLT (3008 GASOLINE MODELS)	12		

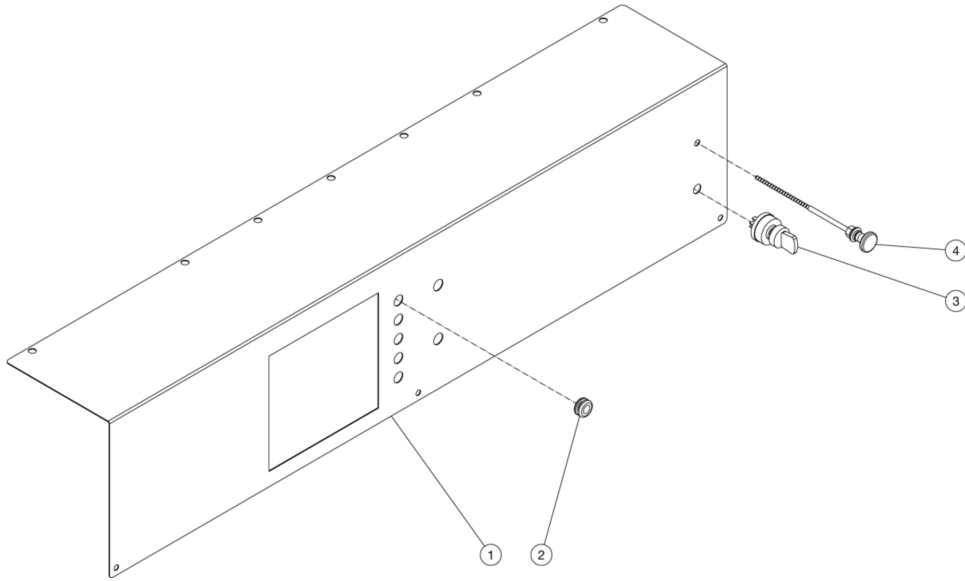
Id	Item #	Description	Quantity	Rev	Comments
9	27-1200	BOLT	7		
10	34-3553	DECAL - MADE IN USA	1		
11	17-0004	QC SOCKET	1		
12	13-0199A18	WATER OUTLET BRACKET	1		
13	27-0067	BOLT	2		
14	15-0202	HIGH PRESSURE HOSE	1		
15	30-6027	CLIP NUT	3		
16	30-0159	LOCKNUT	10		
17	28-0004	WASHER	20		
18	14-0110	ISOLATOR	8		
19	27-0073	BOLT	2		
20	N/A	ISOLATION PLATE ASSEMBLY (GASOLINE MODELS)	1		
20	N/A	ISOLATION PLATE ASSEMBLY (DIESEL MODELS)	1		
21	62-0229	AIR CLEANER ADAPTER (HONDA MODELS)	1		
22	15-0261	FUEL HOSE (GASOLINE MODELS)	2		
23	27-0576	BOLT	10		
24	N/A	HEAT EXCHANGER ASSEMBLY (3005, 3006, 3504, 3505, 3506)	1		
24	N/A	HEAT EXCHANGER ASSY (4004, 4005)	1		
24	N/A	HEAT EXCHANGER ASSY (3008)	1		
25	27-0022	BOLT	4		
26	28-0002	WASHER (GASOLINE MODELS)	12		
26	28-0002	WASHER (DIESEL MODELS)	8		
27	30-0155	LOCKNUT (GASOLINE MODELS)	6		
27	30-0155	LOCKNUT (DIESEL MODELS)	4		
28	20-1289A18	SHIM (3008 DIESEL MODELS)	2		
29	42-0004	CLAMP WORM (GASOLINE MODELS)	6		
29	42-0004	CLAMP WORM (DIESEL MODELS)	8		
30	15-0008	FUEL HOSE *(SIX FEET REQUIRED)	3		
31	20-1099A18	HEAT SHIELD SIDE (3008 GASOLINE MODELS)	1		
32	20-1098A18	HEAT SHIELD (3008 GASOLINE MODELS)	1		
33	N/A	FLOAT TANK ASSEMBLY	1		
34	15-0033	HOSE *(FOUR FEET REQUIRED)	1		
35	42-0003	HOSE CLAMP	1		
36	62-0218	BREATHER VENT COVER (GASOLINE MODELS)	1		
37	62-0212	CARB CANISTER (GASOLINE MODELS)	1		
38	20-1187A01	CARB CANISTER STRAP (GASOLINE MODELS)	2		
39	20-1197A18	CARB CANISTER MOUNT (GASOLINE MODELS)	1		
40	27-0016	BOLT (GASOLINE MODELS)	2		
41	N/A	GAS TANK ASSEMBLY (GASOLINE MODELS)	1		

Id	Item #	Description	Quantity	Rev	Comments
41	N/A	DIESEL FUEL TANK ASSEMBLY (DIESEL MODELS)	1		
42	N/A	BURNER FUEL TANK ASSEMBLY	1		
43	20-0585A18	TANK STRAP	4		
44	27-0072	BOLT	2		
		*MUST ORDER IN ONE FOOT LENGTHS			



HS-3505-0MGK / HS-3505-0MGK (sn:15045001-99999999)

CONTROL PANEL

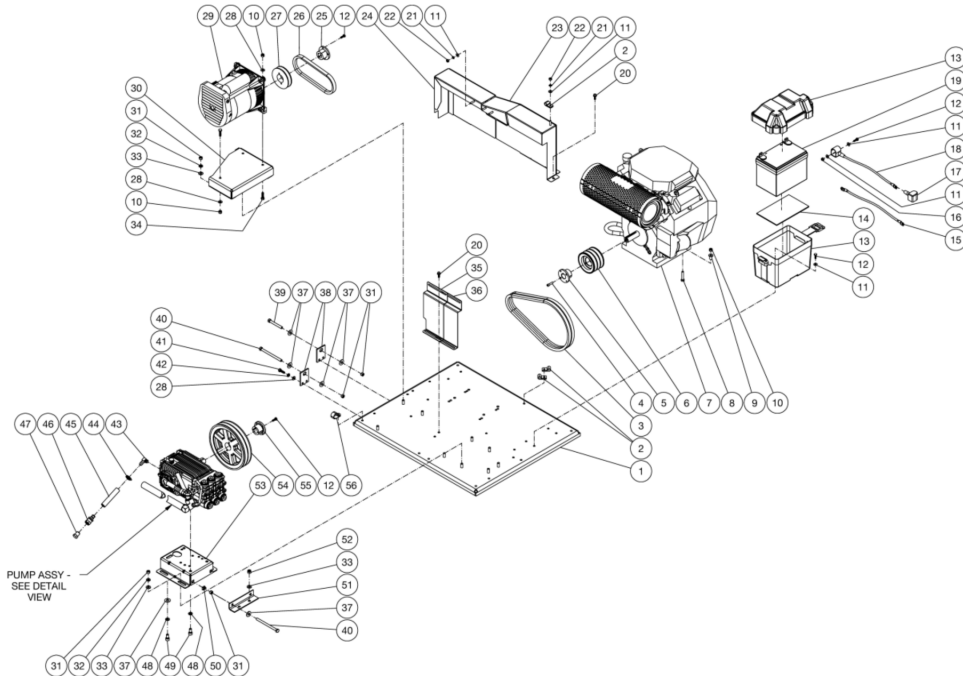


Id	Item #	Description	Quantity	Rev	Comments
1	20-1095A18	CONTROL PANEL	1		
1	20-1095A29	CONTROL PANEL (3505-1SGV)	1		
2	33-0001	GROMMET	5		
3	45-0076	KEY SWITCH (HONDA)	1		
3	45-0071	KEY SWITCH (KOHLER)	1		
3	45-0079	KEY SWITCH (VANGUARD)	1		
4	33-0081	CHOKE CABLE	1		



HS-3505-0MGK / HS-3505-0MGK (sn:15045001-9999999)

ISOLATION PLATE



Id	Item #	Description	Quantity	Rev	Comments
1	5-0170A18	ISOLATION PLATE	1		
2	43-0003	CLIP	3		
3	11-0052	BELT (3505)	2		
3	11-0050	BELT (3506, 4004)	2		
4	27-0850	BOLT	2		
5	9-0005	BUSHING	1		
6	10-0061	SHEAVE	1		
7	850-0294	ENGINE (3005-0MGV)	1		
7	850-0393	ENGINE (3505-1MGH, 3506-1MGH, 4004-1MAH)	1		
7	850-0295	ENGINE (3505-1SGV)	1		
8	27-0070	BOLT	4		
9	33-0169	SHIM (HONDA ENGINE)	4		
9	28-0003	WASHER (VANGUARD ENGINE)	4		
10	30-0157	LOCKNUT	7		
11	28-0002	WASHER	12		

Id	Item #	Description	Quantity	Rev	Comments
12	27-0015	BOLT	10		
13	33-0092	BATTERY BOX	1		
14	33-0509	RUBBER PAD	1		
15	32-9113	CABLE	1		
16	30-0155	LOCKNUT	2		
17	33-0004	BATTERY CABLE COVER	1		
18	32-9114	CABLE	1		
19	32-1077	BATTERY	1		
20	27-1200	BOLT	6		
21	29-0006	LOCKWASHER	4		
22	30-0002	NUT	4		
23	6-0092A18	PUMP BELTGUARD	1		
24	6-0091A18	GENERATOR BELTGUARD	1		
25	9-0033	BUSHING	1		
26	11-0048	BELT	1		
27	10-0028	SHEAVE	1		
28	28-0003	WASHER	7		
29	850-0352	ALTERNATOR	1		
30	20-0583A18	ALTERNATOR HAT	1		
31	30-0006	NUT	11		
32	29-0008	LOCKWASHER	7		
33	28-0004	WASHER	9		
34	27-0068	BOLT	3		
35	20-1642A18	BRACKET	1		
36	20-0589A18	BELTGUARD COVER	1		
37	28-0023	WASHER	7		
38	20-0587A18	TENSION BRACKET	2		
39	27-0576	BOLT	1		
40	27-0133	BOLT	3		
41	27-0067	BOLT	4		
42	29-0007	LOCKWASHER	4		
43	23-0119	ELBOW	1		
44	42-0011	HOSE CLAMP	1		
45	15-0305	HOSE *(TWO FEET REQUIRED)	1		
46	23-0360	HOSE BARB	1		
47	23-0411	PLUG	1		
48	29-0055	LOCKWASHER (A/R MODELS)	4		
48	29-0054	LOCKWASHER (GENERAL MODELS)	4		
49	27-8471	BOLT (A/R MODELS)	4		

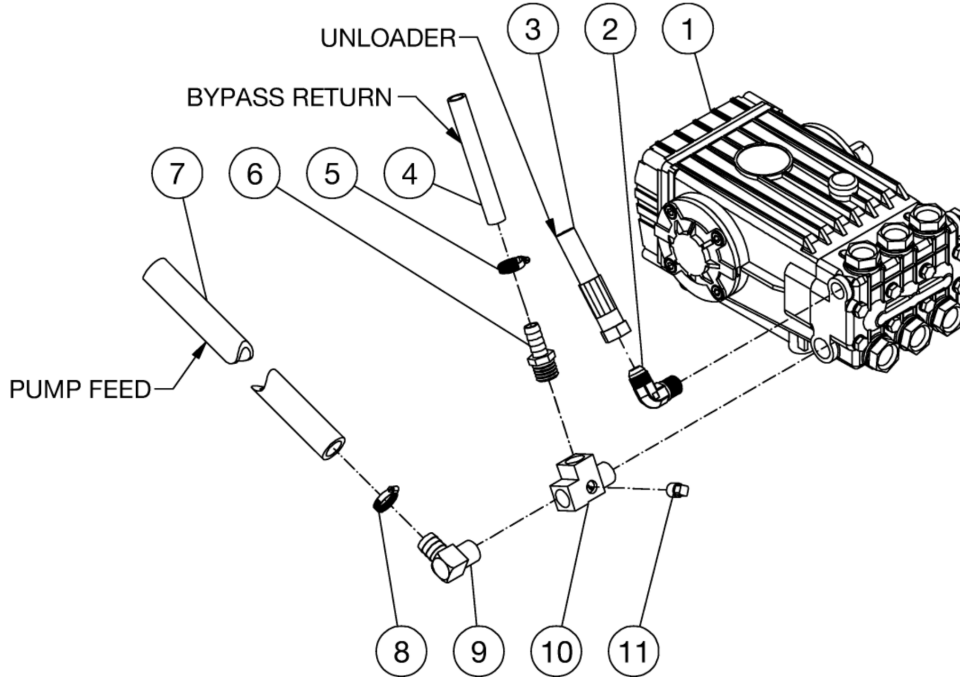
Id	Item #	Description	Quantity	Rev	Comments
49	27-8884	BOLT (GENERAL MODELS)	4		
50	30-6025	CLIP NUT	2		
51	20-0584A18	TENSION BRACKET	1		
52	30-0159	LOCKNUT	2		
53	5-0153A18	PUMP HAT	1		
54	10-0037	SHEAVE (3005, 3505)	1		
54	10-0012	SHEAVE (3506, 4004)	1		
55	9-0017	BUSHING	1		
56	33-0291	CLIP	1		

*MUST ORDER IN ONE FOOT LENGTHS



HS-3505-0MGK / HS-3505-0MGK (sn:15045001-99999999)

PUMP PLUMBING



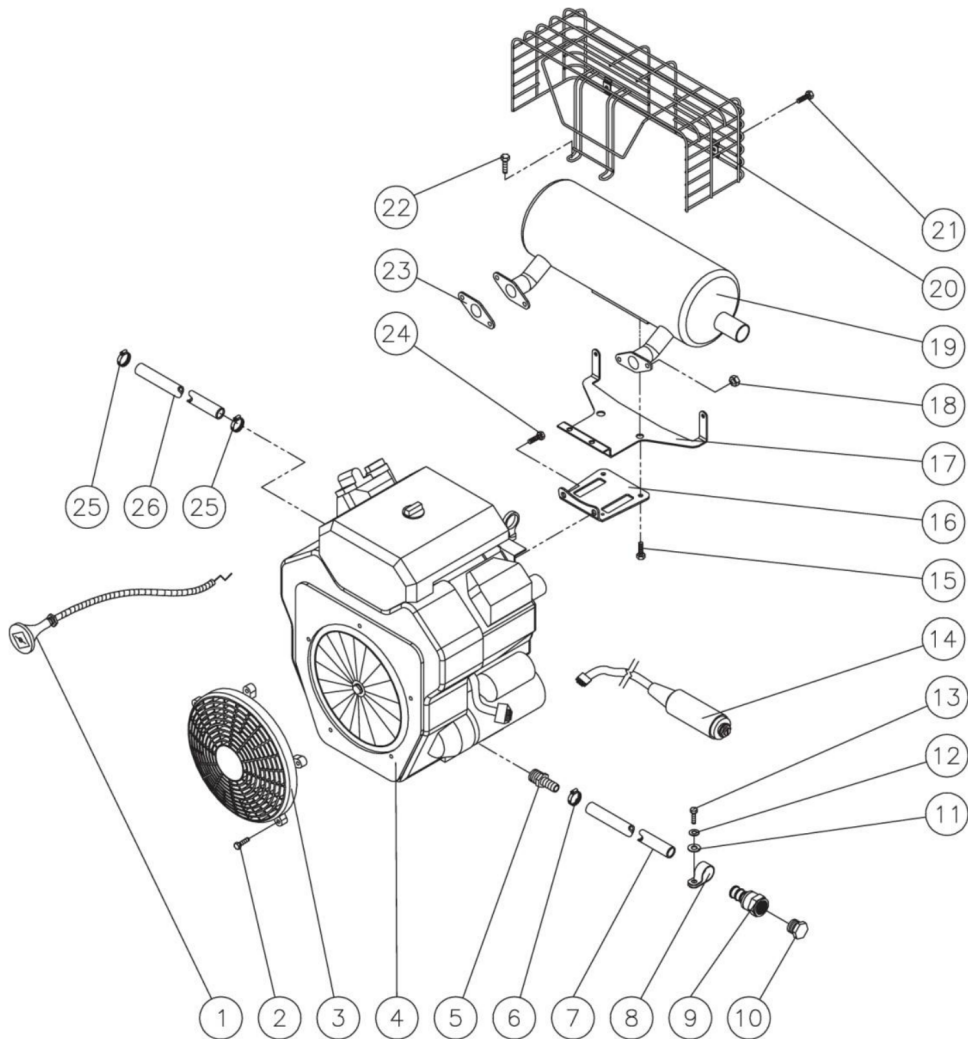
Id	Item #	Description	Quantity	Rev	Comments
1	3-0203	PUMP (HS-3504)	1		
1	3-0202	PUMP (HS-3005/3006/3505/3506)	1		
2	24-0092	ELBOW	1		
3	15-0221	HIGH PRESSURE HOSE ASSY	1		
4	15-0007	HOSE *(THREE FEET REQUIRED)	1		
5	42-0011	HOSE CLAMP	1		
6	23-0045	HOSE BARB	1		
7	15-0033	HOSE *(FOUR FEET REQUIRED)	1		
8	42-0003	HOSE CLAMP	1		
9	23-0037	ELBOW	1		
10	23-0388	STREET TEE	1		
11	23-0238	PLUG	1		

*MUST ORDER IN ONE FOOT LENGTHS



HS-3505-0MGK / HS-3505-0MGK (sn:15045001-99999999)

ENGINE ASSEMBLY



Id	Item #	Description	Quantity	Rev	Comments
1	33-0081	CHOKE CABLE	1		
2	N/A SEP.	BOLT (SEE 45-0072)	5		
3	45-0072	BLOWER HOUSING FRONT GUARD W/ENGINE	1		
4	1-0141	ENGINE- 20HP KOLHER	1		
5	23-0105	HOSE BARB	1		
6	42-0011	CLAMP WORM	1		
7	15-0007	HOSE *(ONE FOOT REQUIRED)	1		
8	33-0291	TUBE CLIP	1		

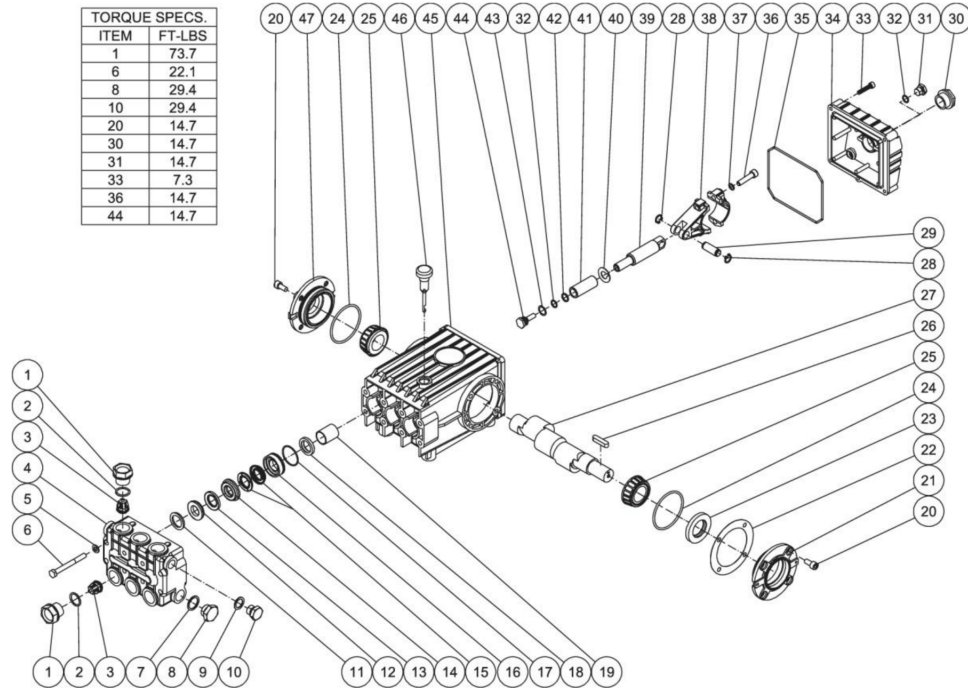
Id	Item #	Description	Quantity	Rev	Comments
9	23-0360	HOSE BARB	1		
10	23-0411	PLUG	1		
11	28-0002	WASHER	1		
12	29-0006	LOCKWASHER	1		
13	27-0015	SCREW	1		
14	850-0299	KEY SWITCH ASSEMBLY	1		
15	N/A SEP.	BOLT (SEE 45-0073)	2		
16	N/A SEP.	MUFFLER SUPPORT (SEE 45-0073)	1		
17	N/A SEP.	MUFFLER GUARD SUPPORT (SEE 45-0077)	1		
18	N/A SEP.	NUT (SEE 45-0073)	4		
19	45-0073	CANISTER MUFFLER	1		
20	45-0077	MUFFLER GUARD	1		
21	N/A SEP.	BOLT (SEE 45-0077)	2		
22	N/A SEP.	BOLT (SEE 45-0077)	2		
23	N/A SEP.	GASKET (SEE 45-0073)	2		
24	N/A SEP.	BOLT (SEE 45-0073)	2		
25	42-0004	CLAMP WORM	2		
26	15-0008	HOSE *(THREE FEET REQUIRED)	1		

*MUST ORDER IN ONE FOOT LENGTHS



HS-3505-0MGK / HS-3505-0MGK (sn:15045001-99999999)

PUMP ASSEMBLY



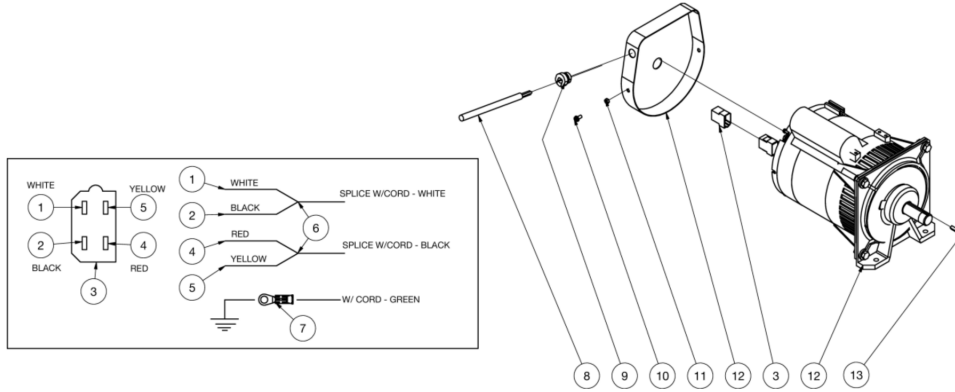
Id	Item #	Description	Quantity	Rev	Comments
1	46-0889	VALVE CAP	6		
2	25-0012	O-RING	6		
3	22-0056	VALVE (SEE KIT 70-0009)	6		
4	46-0890	MANIFOLD	1		
5	28-1039	WASHER	8		
6	27-8185	BOLT	8		
7	28-1038	WASHER	2		
8	39-0019	PLUG	2		
9	28-1002	WASHER	2		
10	39-0018	PLUG	2		
11	70-0030	HEAD RING (SEE KIT 70-0030 AND 852-0122)	3		
12	26-0098	V-PACKING SUPPORT (SEE KIT 70-0147 AND 852-0122)	3		
13	25-0207	O-RING (SEE KIT 70-0147 AND 70-0148 AND 852-0122)	3		
14	46-0659	HIGH PRESSURE INTERMEDIATE SEAL RETAINER (SEE KIT 70-0148)	3		
15	26-0197	PRESSURE SEAL (SEE KIT 70-0147 AND 852-0122)	3		

Id	Item #	Description	Quantity	Rev	Comments
16	46-0057	LOW PRESSURE SEAL RETAINER	3		
17	25-0015	O-RING (SEE KIT 852-0122)	3		
18	26-0047	OIL SEAL	3		
19	9-0029	BUSHING	3		
20	27-8431	BOLT	8		
21	46-0296	CRANKCASE COVER	1		
22	46-0113	SHIM	1		
23	26-0049	OIL SEAL	1		
24	25-0013	O-RING	2		
25	48-0012	BEARING	2		
26	43-0048	KEY	1		
27	46-0050	CRANKSHAFT	1		
28	46-0103	RETAINING RING	6		
29	43-0032	CONNECTING ROD PIN	3		
30	46-0114	OIL LEVEL INDICATOR	1		
31	39-0017	PLUG	1		
32	25-0014	O-RING	4		
33	27-8404	BOLT	5		
34	46-0295	CRANKCASE OPEN COVER	1		
35	25-0339	O-RING	1		
36	27-8435	BOLT	6		
37	29-0154	LOCKWASHER	6		
38	46-0051	CONNECTING ROD	3		
39	46-0056	PISTON ROD	3		
40	46-0146	SLINGER WASHER	3		
41	46-0052	PLUNGER	3		
42	46-0109	BACK-UP RING	3		
43	28-0400	WASHER	3		
44	46-0069	NUT / PISTON	3		
45	46-0047	CRANKCASE	1		
46	46-0144	OIL DIP STICK	1		
47	46-0336	CRANKCASE COVER	1		
KIT	70-0009	VALVES (INC. 6 EACH 3)			
KIT	70-0030	HEAD RING (INC. 3 EACH 11)			
KIT	70-0147	V-PACKING (INC. 3 EACH 12, 13, 15)			
KIT	70-0148	INTERMEDIATE RETAINER (INC. 3 EACH 13, 14)			
KIT	852-0122	V-PACKING ASSY (INC. 3 EACH 11-13, 15, 17)			



HS-3505-0MGK / HS-3505-0MGK (sn:15045001-99999999)

ALTERNATOR



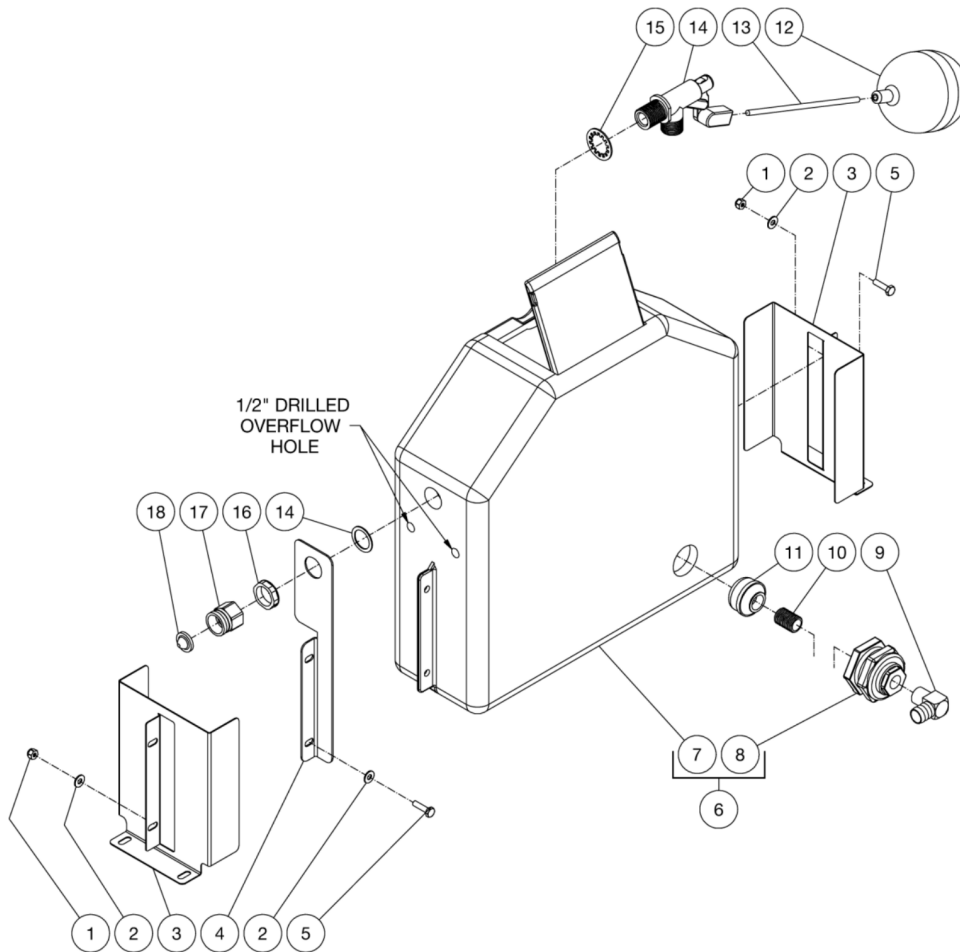
Id	Item #	Description	Quantity	Rev	Comments
1	32-0452	WIRE - WHITE	1		
2	32-0091	WIRE - BLACK	1		
3	N/A	CONNECTOR	1		
4	32-0178	WIRE - RED	1		
5	32-0853	WIRE - YELLOW	1		
6	32-0417	CRIMP	1		
7	32-0099	TERMINAL RING	1		
8	32-0440	CORD	1		
9	9-0045	BUSHING	1		
10	27-9593	SCREW	2		
11	30-6001	NUT	1		
12	32-0895	ALTERNATOR	1		
13	43-0085	KEY	1		

*MUST ORDER IN ONE FOOT LENGTHS



- HS-3505-0MGK / HS-3505-0MGK (sn:15045001-99999999)

FLOAT TANK ASSEMBLY



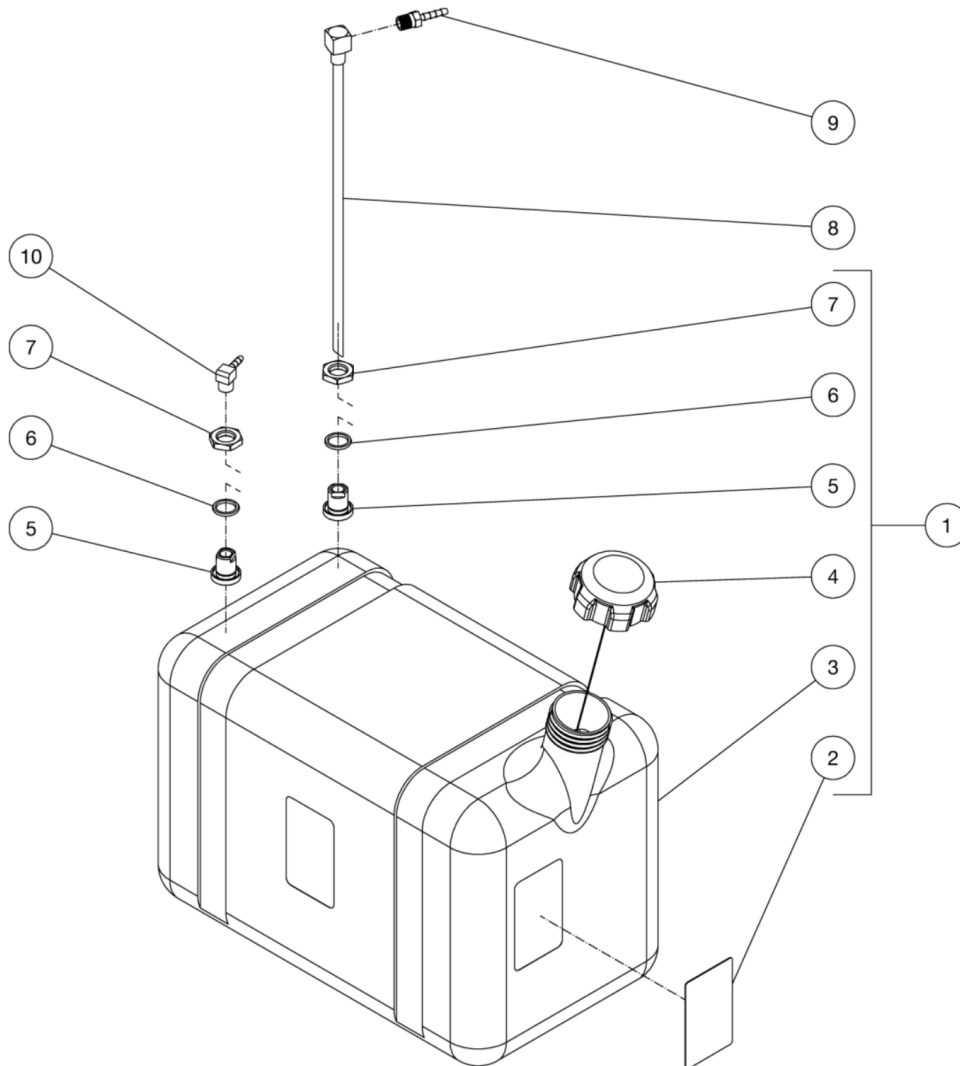
Id	Item #	Description	Quantity	Rev	Comments
1	30-0155	LOCKNUT	4		
2	28-0002	WASHER	6		
3	20-0586A18	BRACKET / FLOAT TANK	2		
4	20-0912A18	BRACKET	1		
5	27-0016	BOLT	4		
6	850-0322	FLOAT TANK ASSEMBLY (INC. 7-8)	1		
7	N/A	FLOAT TANK	1		
8	N/A	BULKHEAD (INC. 25-0506 GASKET)	1		
9	23-0037	ELBOW	1		
10	23-0019	NIPPLE	1		

Id	Item #	Description	Quantity	Rev	Comments
11	19-0203	STRAINER	1		
12	22-0059	FLOAT	1		
13	31-3320	BALL FLOAT STUD	1		
14	22-0317	FLOAT VALVE	1		
15	29-0074	LOCKWASHER	1		
16	23-0428	LOCKNUT	1		
17	23-0021	GARDEN HOSE INLET	1		
18	19-0001	FILTER	1		



HS-3505-0MGK / HS-3505-0MGK (sn:15045001-99999999)

GAS TANK ASSEMBLY



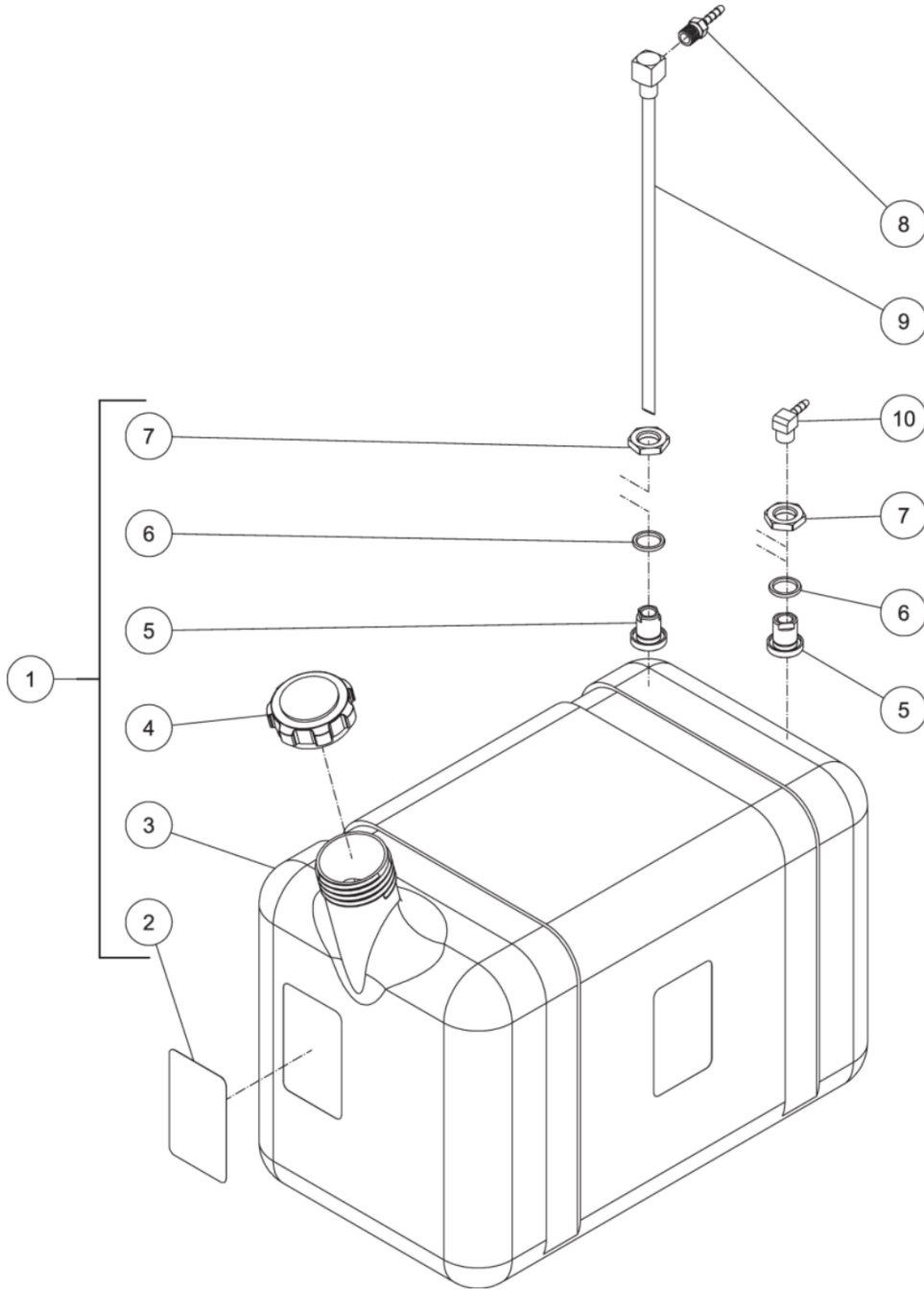
Id	Item #	Description	Quantity	Rev	Comments
1	850-0306	GAS TANK ASSY (INC 2-7)	1		
2	N/A	DECAL- CAUTION: GASOLINE ONLY (SEE 71-0034)	1		
3	N/A	FUEL TANK - RED	1		
4	12-0220	FUEL CAP - SEALED/TETHERED	1		
5	23-0408	BULKHEAD FITTING	2		
6	25-0427	O-RING	2		
7	23-0409	NUT	2		
8	33-0352	FUEL PICK-UP	1		

Id	Item #	Description	Quantity	Rev	Comments
9	23-0051	BARB	1		
10	23-0054	ELBOW	1		



HS-3505-0MGK / HS-3505-0MGK (sn:15045001-99999999)

BURNER FUEL TANK ASSEMBLY



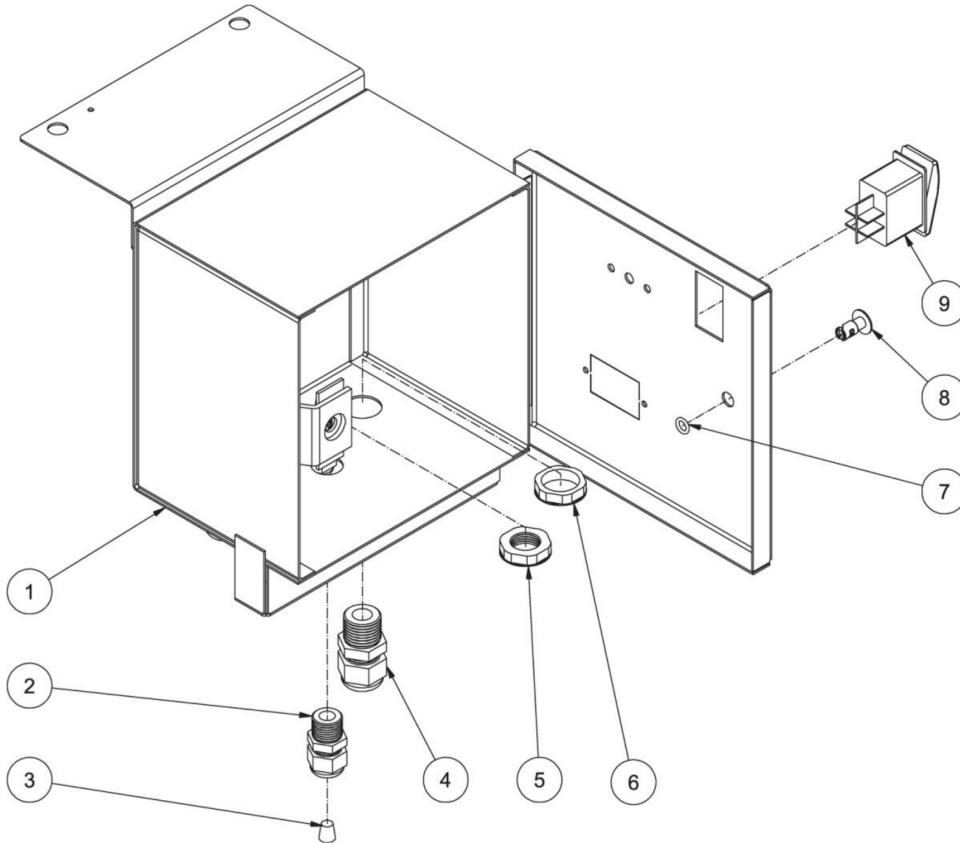
Id	Item #	Description	Quantity	Rev	Comments
1	850-0307	FUEL TANK ASSEMBLY (INC. 2-7)	1		
2	34-1034	DECAL- CAUTION: RISK OF FIRE	1		

Id	Item #	Description	Quantity	Rev	Comments
3	N/A Sep.	FUEL TANK (SEE 850-0307)	1		
4	12-0033	FUEL CAP	1		
5	23-0408	BULKHEAD FITTING	2		
6	25-0427	O-RING	2		
7	23-0409	NUT	2		
8	23-0051	HOSE BARB	1		
9	33-0352	FUEL PICKUP	1		
10	23-0054	ELBOW	1		



HS-3505-0MGK / HS-3505-0MGK (sn:15045001-99999999)

ELECTRIC BOX

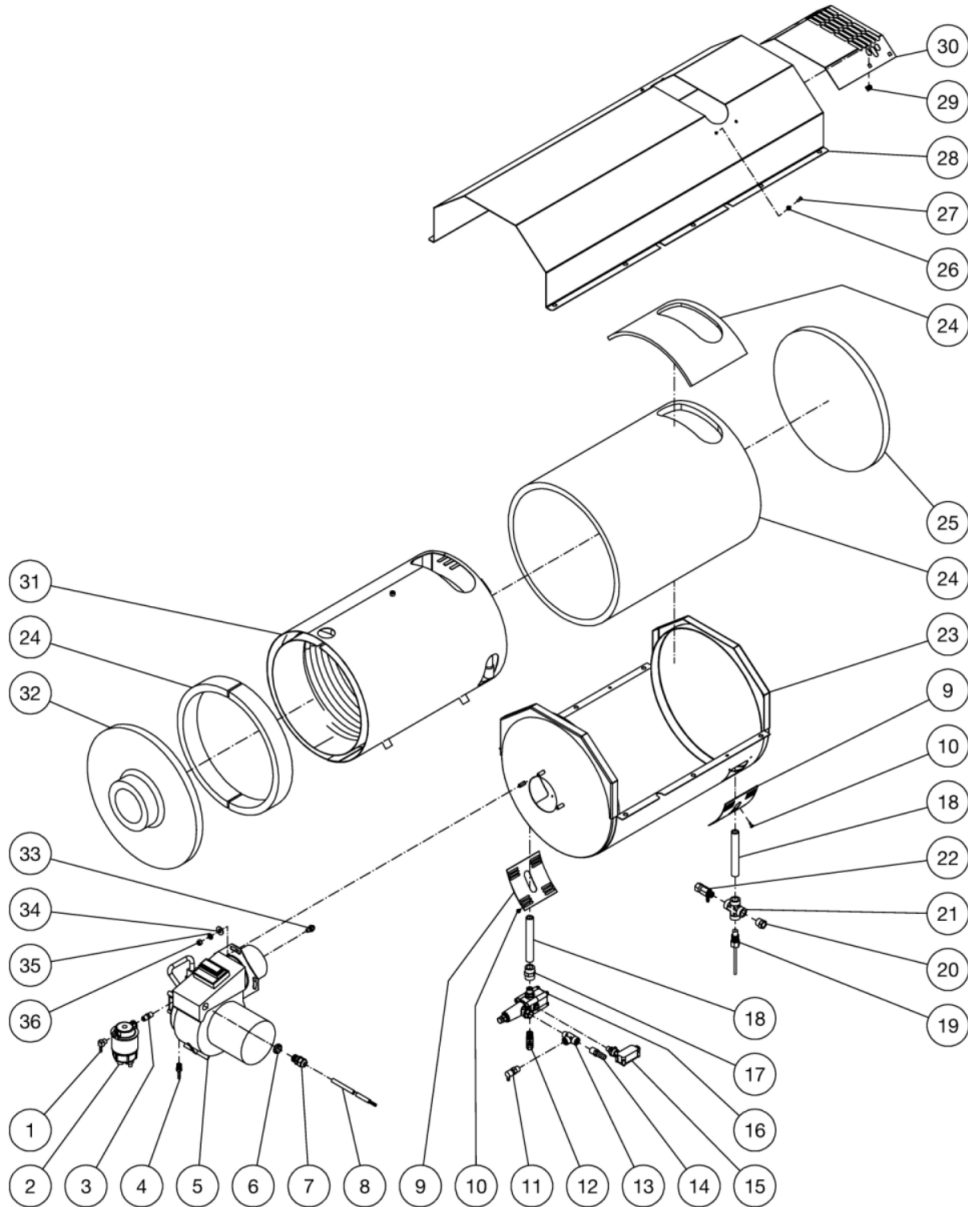


Id	Item #	Description	Quantity	Rev	Comments
1	20-1097A18	ELECTRIC BOX	1		
2	32-0586	STRAIN RELIEF	3		
3	32-0708	STRAIN RELIEF PLUG	1		
4	32-0437	STRAIN RELIEF	2		
5	32-0587	ELECTRICAL LOCKNUT	3		
6	32-0108	ELECTRICAL LOCKNUT	2		
7	25-0209	O-RING	1		
8	33-0197	FASTENER	1		
9	32-0669	ROCKER SWITCH	1		



HS-3505-0MGK / HS-3505-0MGK (sn:15045001-99999999)

HEAT EXCHANGER



Id	Item #	Description	Quantity	Rev	Comments
1	23-0054	ELBOW	1		
2	19-0070	FUEL FILTER / WATER SEPERATOR	1		
3	24-0145	NIPPLE	1		
4	23-0051	BARB	1		
5	4-0017	BURNER	1		

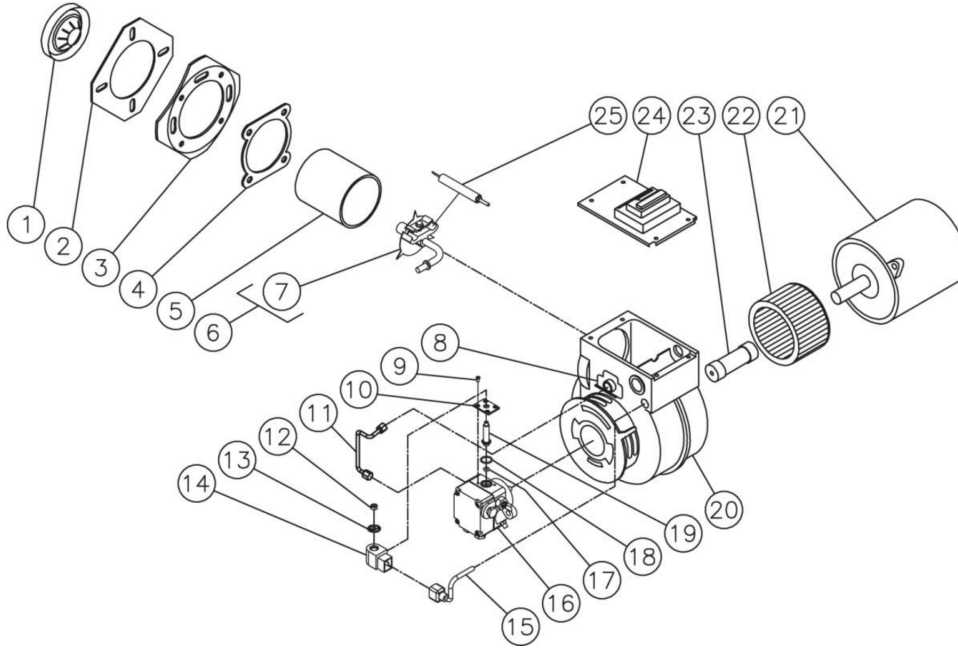
Id	Item #	Description	Quantity	Rev	Comments
6	32-0108	ELECTRICAL LOCKNUT	1		
7	32-0437	STRAIN RELIEF	1		
8	32-0247	CORD *(FOUR FEET REQUIRED)	1		
9	20-0537A18	PATCH PLATE	2		
10	27-3062	BOLT	8		
11	22-0432	HEAT DUMP VALVE	1		
12	24-0092	ELBOW	1		
13	23-0058	STREET TEE	1		
14	23-0105	HOSE BARB	1		
14	23-0050	ELBOW (TX-0005/7, HS-3505)	1		
15	22-0243	PRESSURE SWITCH	1		
16	850-0304	UNLOADER (3006/3506)	1		
16	8-0013	UNLOADER ASSY (3005/3505)	1		
16	850-0345	UNLOADER ASSY (3504)	1		
17	24-0243	ADAPTER	1		
18	24-0254	PIPE NIPPLE	2		
19	32-0667	HI-LIMIT SWITCH	1		
19	32-0962	THERMOSTAT (HX-0145)	1		
20	23-0016	REDUCER BUSHING	1		
21	24-0241	CROSS	1		
22	22-0309	SAFETY RELIEF VALVE	1		
23	20-0666A18	BOTTOM WRAP	1		
24	850-0314	INSULATION BLANKET	1		
25	33-0346	INSULATION DISC	1		
26	28-0001	WASHER	4		
27	27-8912	SCREW	4		
28	20-0664A18	TOP WRAP	1		
28	20-0664A29	TOP WRAP/COIL (3505-1SGV-T)	1		
29	30-6028	CLIP NUT	4		
30	21-0171	EXHAUST GUARD	1		
31	66-0014	COIL	1		
32	33-0345	INSULATION DRUM HEAD	1		
33	18-0361	FUEL NOZZLE	1		
33	18-0090	FUEL NOZZLE (3504)	1		
34	28-0023	WASHER	3		
35	29-0008	LOCKWASHER	3		
36	30-0006	NUT	3		

*MUST ORDER IN ONE FOOT LENGTHS



HS-3505-0MGK / HS-3505-0MGK (sn:15045001-99999999)

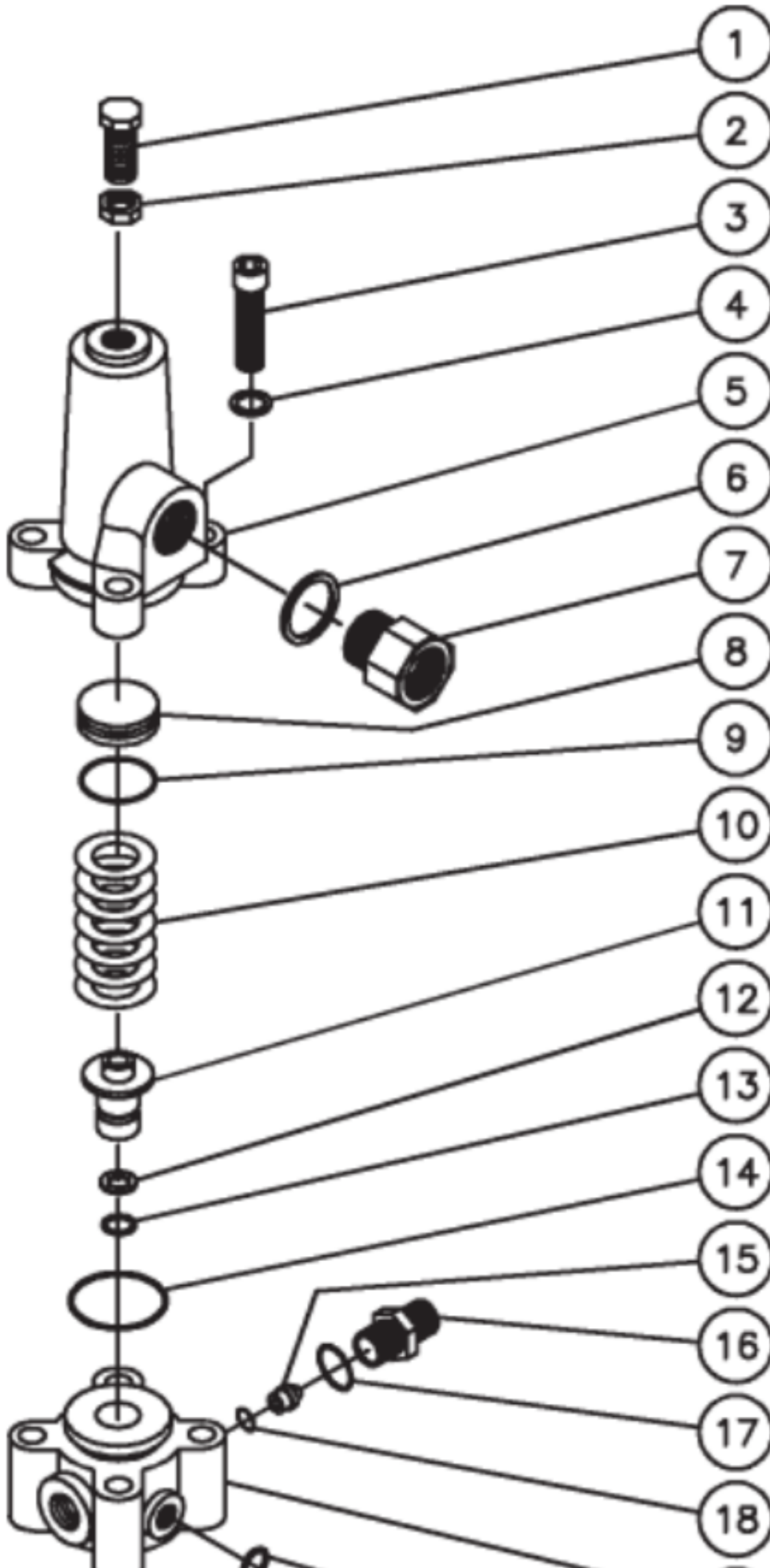
BURNER ASSEMBLY

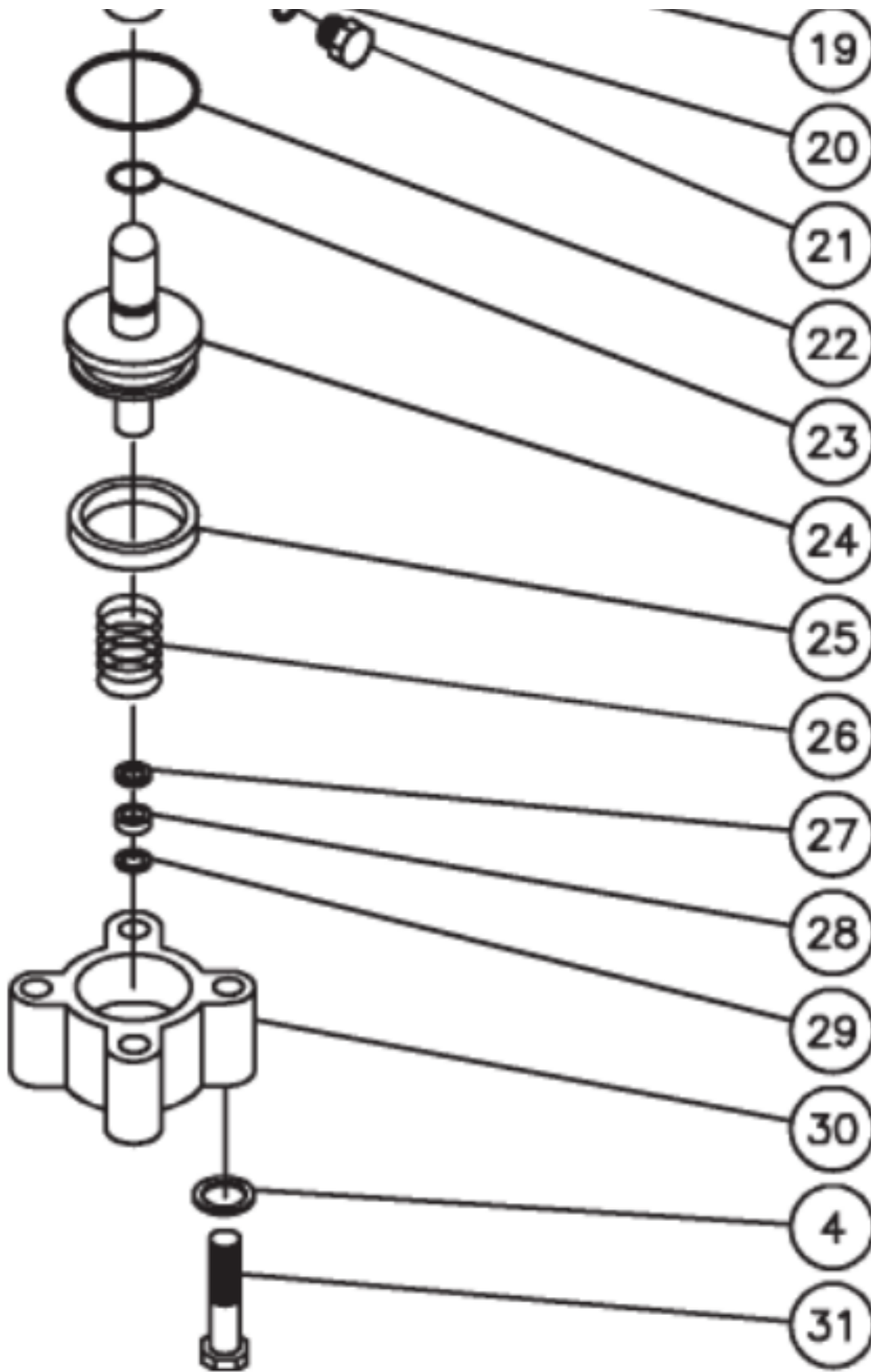


Id	Item #	Description	Quantity	Rev	Comments
1	44-0011	BURNER HEAD	1		
2	44-0108	MOUNTING GASKET	1		
3	44-0109	FLANGE	1		
4	26-0138	GASKET	1		
5	44-0110	AIR TUBE	1		
6	44-0113	NOZZLE LINE ASSEMBLY	1		
7	44-0114	ELECTRODE KIT	1		
8	44-0031	ESCUTCHEON PLATE	1		
9	SEE KIT	SCREW (SEE 70-0746)	1		
10	46-1004	BASE PLATE (SEE 70-0746)	1		
11	44-0026	FUEL LINE	1		
12	46-1016	PISTON NUT (SEE 70-0746)	1		
13	SEE KIT	SPRING WASHER (SEE 70-0746)	1		
14	46-1020	FUEL SOLENOID	1		
15	44-0122	CORD SET	1		
16	3-0236	FUEL PUMP	1		

Id	Item #	Description	Quantity	Rev	Comments
17	SEE KIT	O-RING (SEE 70-0746)	1		
18	SEE KIT	O-RING (SEE 70-0746)	1		
19	SEE KIT	SOLENOID PISTON (SEE 70-0746)	1		
20	44-0033	BURNER HOUSING	1		
21	2-0068	MOTOR (4-0017)	1		
21	2-0067	MOTOR (4-0018)	1		
22	44-0071	BLOWER WHEEL	1		
23	44-0014	COUPLER	1		
24	44-0017	IGNITION TRANSFORMER (4-0017)	1		
24	44-0015	IGNITION TRANSFORMER (4-0018)	1		
25	44-0114	ELECTRODE	2		
	4-0017	COMPLETE BURNER (INC 1-17)			
	4-0018	COMPLETE BURNER (INC 1-17)			
KIT	70-0746	SOLENOID TUBE KIT (INC 9, 10, 12, 13, 17-19)			

UNLOADER ASSEMBLY





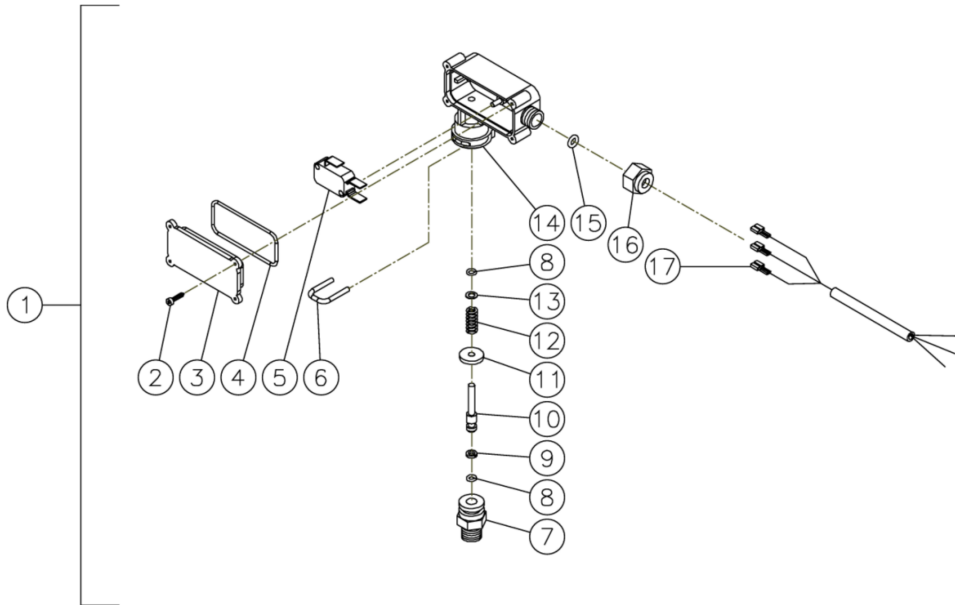
Id	Item #	Description	Quantity	Rev	Comments
1	27-8077	BOLT	1		
2	30-3010	HEX NUT	1		
3	27-8434	BOLT	4		
4	29-0154	LOCKWASHER	8		
5	8-0138	UPPER BODY	1		
6	8-0277	WASHER	1		
7	8-0124	BY-PASS RESTRICTOR	1		
8	8-0135	SPRING GUIDE	1		
9	25-0118	O-RING	1		

Id	Item #	Description	Quantity	Rev	Comments
10	49-0026	SPRING	1		
11	8-0145	VALVE SEAT	1		
12	8-0141	BACK-UP RING	1		
13	25-0121	O-RING	1		
14	25-0117	O-RING	1		
15	8-0128	FLOW BALANCER	1		
16	8-0130	NIPPLE	1		
17	25-0052	O-RING	1		
18	25-0119	O-RING	1		
19	8-0137	MIDDLE BODY	1		
20	25-0114	O-RING	2		
21	39-0017	HEX PLUG	2		
22	25-0056	O-RING	1		
23	25-0120	O-RING	1		
24	8-0136	PISTON ASSEMBLY	1		
25	26-0104	SEAL	1		
26	49-0027	SPRING	1		
27	8-0139	WASHER	1		
28	26-0105	SEAL	1		
29	8-0140	BACK-UP RING	1		
30	8-0134	LOWER BODY	1		
31	27-8037	BOLT	4		
KIT	70-0013	UNLOADER REPAIR KIT (INC. 9, 11, 13, 14, 17, 18, 20, 22-26, 28, 29)			
KIT	852-0014	UNLOADER ORFICE KIT (INC. 7, 15, 16)			
KIT	852-0015	UNLOADER ORFICE KIT (INC. 7, 15, 16)			
KIT	852-0017	UNLOADER ORFICE KIT (INC. 7, 15, 16)			
KIT	852-0157	UNLOADER ORIFICE KIT (INC. 7, 15, 16)			



HS-3505-0MGK / HS-3505-0MGK (sn:15045001-99999999)

PRESSURE SWITCH



Id	Item #	Description	Quantity	Rev	Comments
1	22-0171	PRESSURE SWITCH- 15 BAR	1		
1	22-0243	PRESSURE SWITCH- 25 BAR	1		
2	N/A	SCREW	4		
3	N/A	COVER	1		
4	N/A Sep.	O-RING (SEE 70-0306)	1		
5	N/A	MICRO SWITCH	1		
6	N/A	RETAINER CLIP	1		
7	N/A	BODY	1		
8	N/A Sep.	O-RING (SEE 70-0306)	2		
9	N/A Sep.	BACK-UP RING (SEE 70-0306)	1		
10	N/A	PISTON	1		
11	N/A	WASHER	1		
12	49-0144	SPRING- 15 BAR	1		
12	49-0145	SPRING- 25 BAR	1		
13	N/A	WASHER	1		
14	N/A	PLASTIC HOUSING	1		

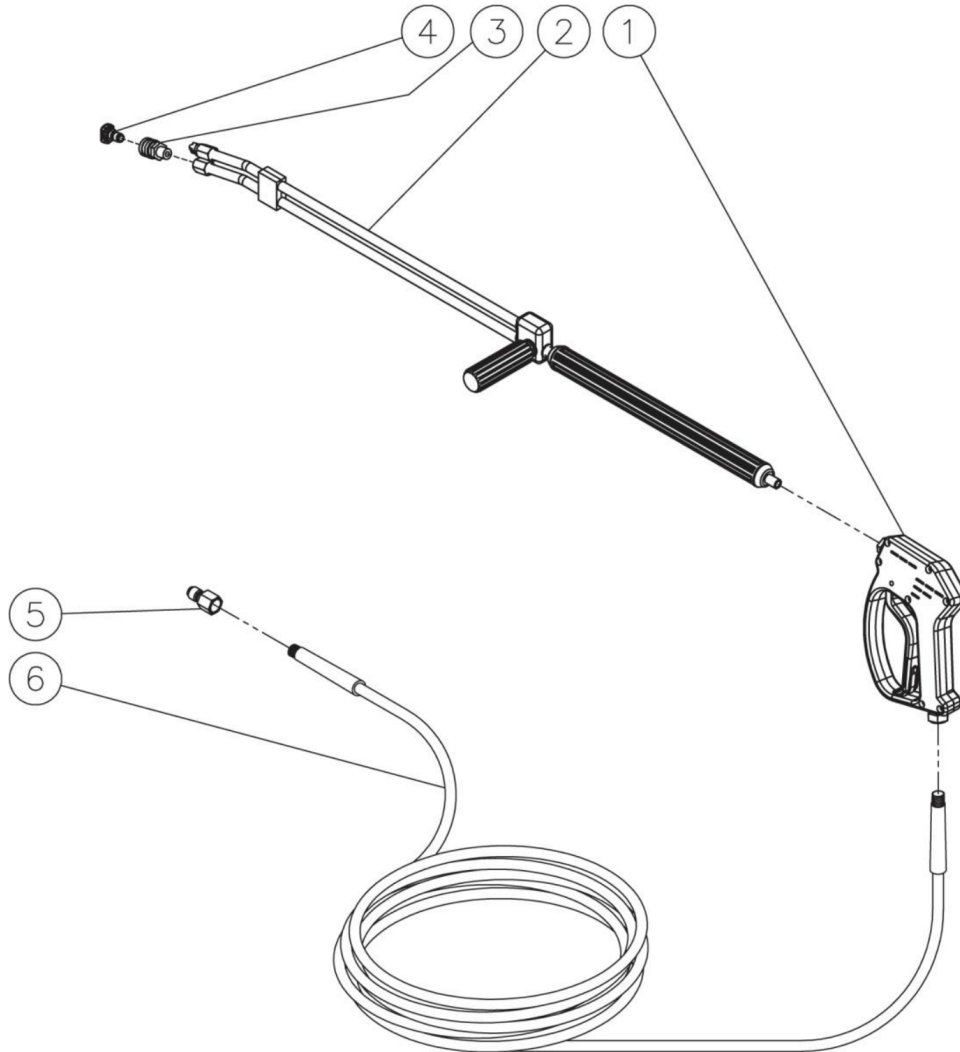
Id	Item #	Description	Quantity	Rev	Comments
15	N/A Sep.	O-RING (SEE 70-0306)	1		
16	N/A	NUT- 15 BAR	1		
16	N/A	NUT- 25 BAR	1		
17	N/A	WIRE ASSEMBLY	1		
KIT	70-0306	O-RING REPAIR KIT (INC. 4, 8-9, 15)			

|
|
|
|
|



HS-3505-0MGK / HS-3505-0MGK (sn:15045001-99999999)

GUN/WAND/HOSE ASSEMBLY



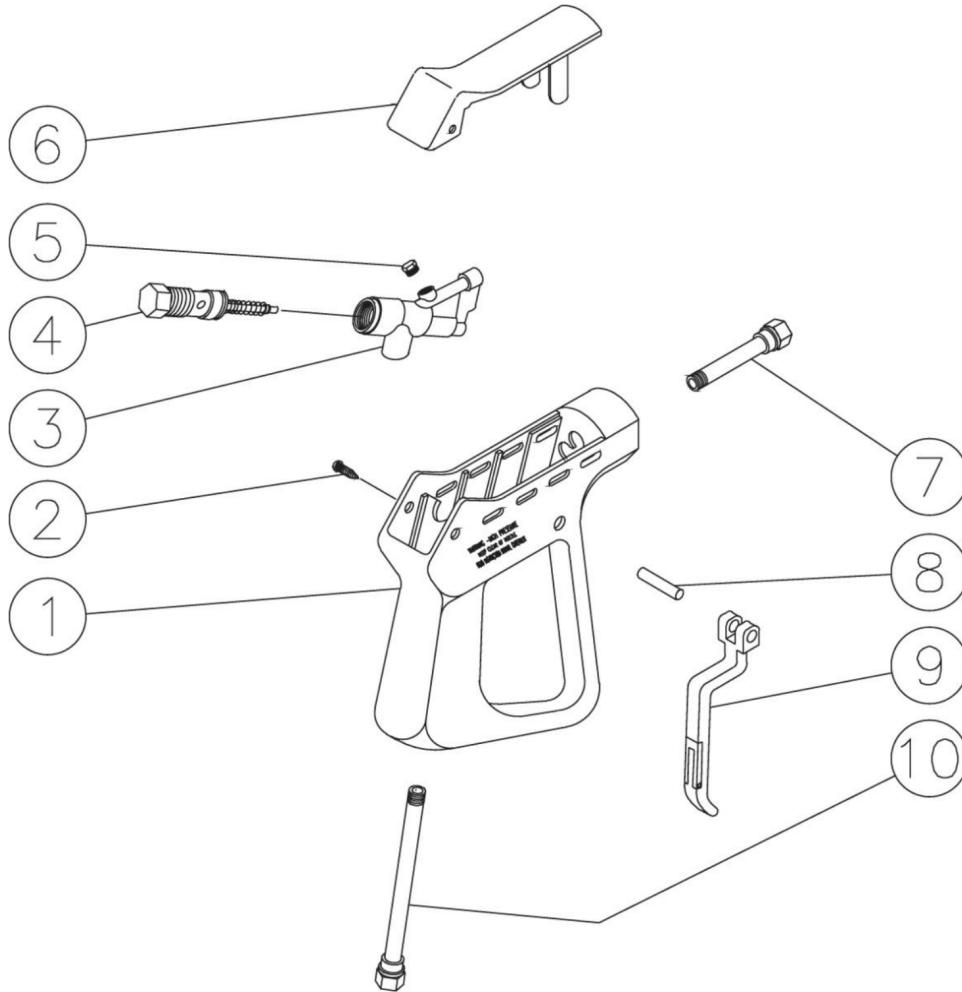
Id	Item #	Description	Quantity	Rev	Comments
1	16-0446	GUN ASSEMBLY	1		
2	16-0417	DUAL LANCE 48" (3005)	1		
2	16-0416	DUAL LANCE 36" (1803/2004/3004)	1		
3	17-0028	QUICK CONNECT SOCKET	1		
4	18-0402	NOZZLE- 0004.5 (3004)	1		
4	18-0403	NOZZLE- 1504.5 (3004)	1		
4	18-0404	NOZZLE- 2504.5 (3004)	1		
4	18-0405	NOZZLE- 4004.5 (3004)	1		

Id	Item #	Description	Quantity	Rev	Comments
4	18-0410	NOZZLE- 0005.5 (3005)	1		
4	18-0411	NOZZLE- 1505.5 (3005)	1		
4	18-0412	NOZZLE- 2505.5 (3005)	1		
4	18-0413	NOZZLE- 4005.5 (3005)	1		
4	18-0414	NOZZLE- 0006 (2004)	1		
4	18-0415	NOZZLE- 1506 (2004)	1		
4	18-0416	NOZZLE- 2506 (2004)	1		
4	18-0417	NOZZLE- 4006 (2004)	1		
4	18-0007	NOZZLE- 0007 (1805)	1		
4	18-0008	NOZZLE- 1507 (1805)	1		
4	18-0009	NOZZLE- 2507 (1805)	1		
4	18-0032	NOZZLE- 4007 (1805)	1		
5	17-0006	QUICK CONNECT PLUG	1		
6	15-0166	HIGH PRESSURE HOSE ASSEMBLY 4500 PSI	1		
6	15-0146	HIGH PRESSURE HOSE ASSEMBLY 3000 PSI	1		



HS-3505-0MGK / HS-3505-0MGK (sn:15045001-99999999)

GUN ASSEMBLY



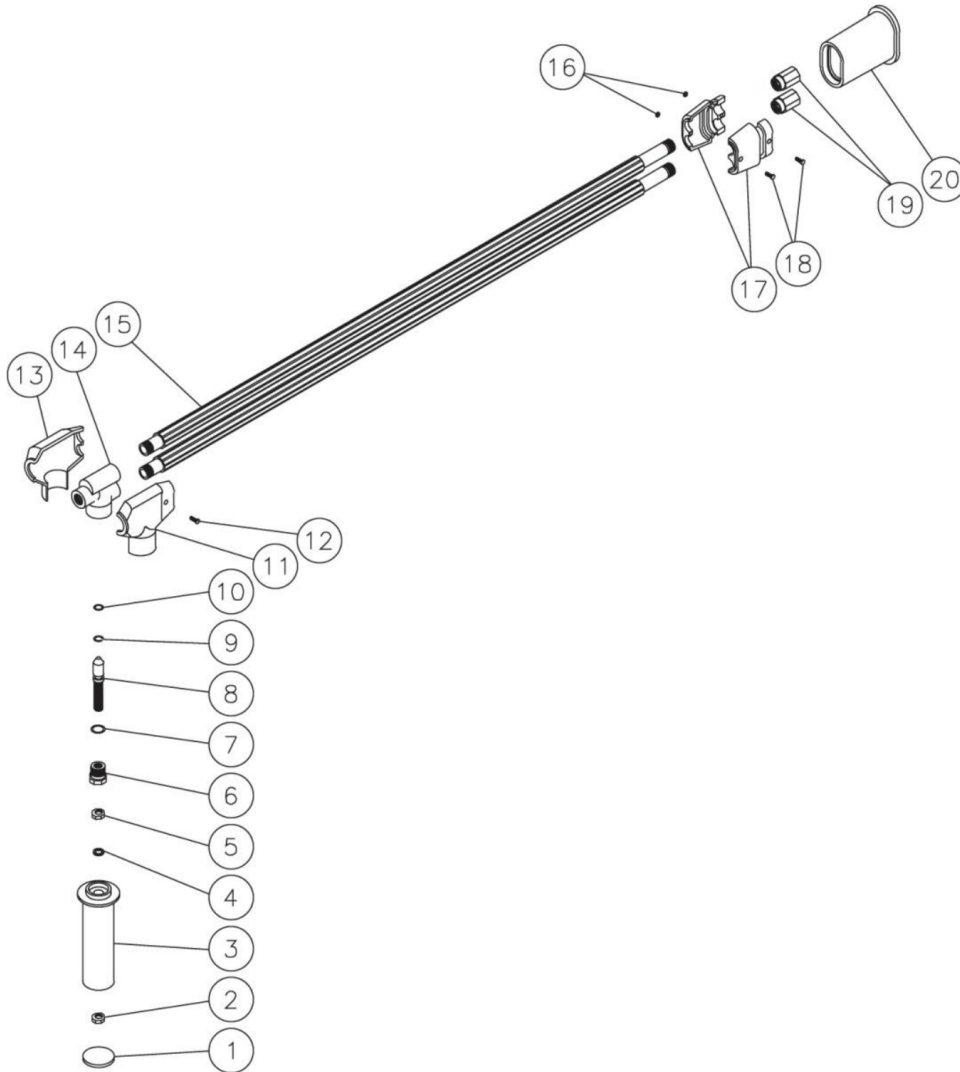
Id	Item #	Description	Quantity	Rev	Comments
1	16-0008	PLASTIC HOUSING	1		
2	27-3230	SCREW	2		
3	16-0012	BRASS HOUSING	1		
4	70-0055	GUN REPAIR KIT	1		
5	39-0024	BRASS PLUG	1		
6	16-0009	PLASTIC COVER	1		
7	16-0013	PIPE ASSEMBLY	1		
8	16-0063	TRIGGER PIN	1		
9	16-0010	TRIGGER/SAFETY LOCK-OFF	1		

Id	Item #	Description	Quantity	Rev	Comments
10	16-0016	PIPE ASSEMBLY- INLET	1		
	16-0001	COMPLETE GUN ASSEMBLY	1		



HS-3505-0MGK / HS-3505-0MGK (sn:15045001-99999999)

ANGLED DUAL LANCE



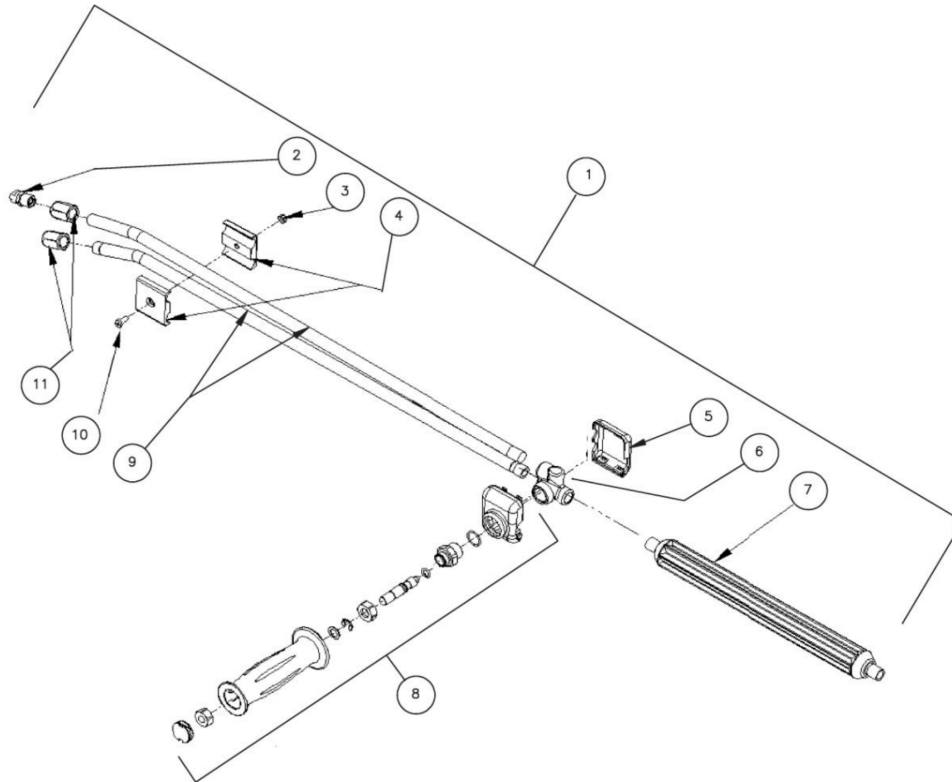
Id	Item #	Description	Quantity	Rev	Comments
1	16-0312	HANDLE PLUG	1		
2	30-3002	HEX NUT	1		
3	16-0313	HANDLE	1		
4	28-1021	WASHER	1		
5	30-3010	HEX NUT	1		
6	23-0271	HEX ADAPTER	1		
7	25-0351	O-RING	1		

Id	Item #	Description	Quantity	Rev	Comments
8	16-0314	PISTON STEM	1		
9	25-0352	BACK-UP RING	1		
10	25-0353	O-RING	1		
11	16-0315	UPPER PROTECTOR	1		
12	27-8862	SELF TAPPING SCREW	1		
13	16-0316	LOWER PROTECTOR	1		
14	23-0272	BODY	1		
15	N/A	ANGLED LANCE W/PROTECTIVE COVER	2		
16	30-3060	HEX NUT	2		
17	16-0318	PIPE CLAMP	2		
18	27-8861	SCREW	2		
19	24-0127	NIPPLE	2		
20	16-0319	NOZZLE PROTECTOR	1		
	70-0143	O-RING KIT (INC. 7, 9, 10)			



HS-3505-0MGK / HS-3505-0MGK (sn:15045001-99999999)

DUAL LANCE ASSEMBLY



Id	Item #	Description	Quantity	Rev	Comments
1	16-0416	DUAL LANCE ASSEMBLY - 36" (INC. 2-11)	1		
1	16-0417	DUAL LANCE ASSEMBLY - 48" (INC. 2-11)	1		
2	18-0110	DETERGENT NOZZLE	1		
3	30-6001	NUT	1		
4	16-0420	CLAMP	2		
5	N/A Sep.	LOWER VALVE COVER (SEE 16-0416 OR 16-0417)	1		
6	N/A Sep.	HOUSING (SEE 16-0416 OR 16-0417)	1		
7	16-0419	LANCE	1		
8	70-0419	HANDLE REPAIR KIT	1		
9	N/A Sep.	LANCE (SEE 16-0416)	2		
9	N/A Sep.	LANCE (SEE 16-0417)	2		
10	27-8196	SCREW	1		

Id	Item #	Description	Quantity	Rev	Comments
11	24-0280	NOZZLE ADAPTER	2		