

Earthquake[®]

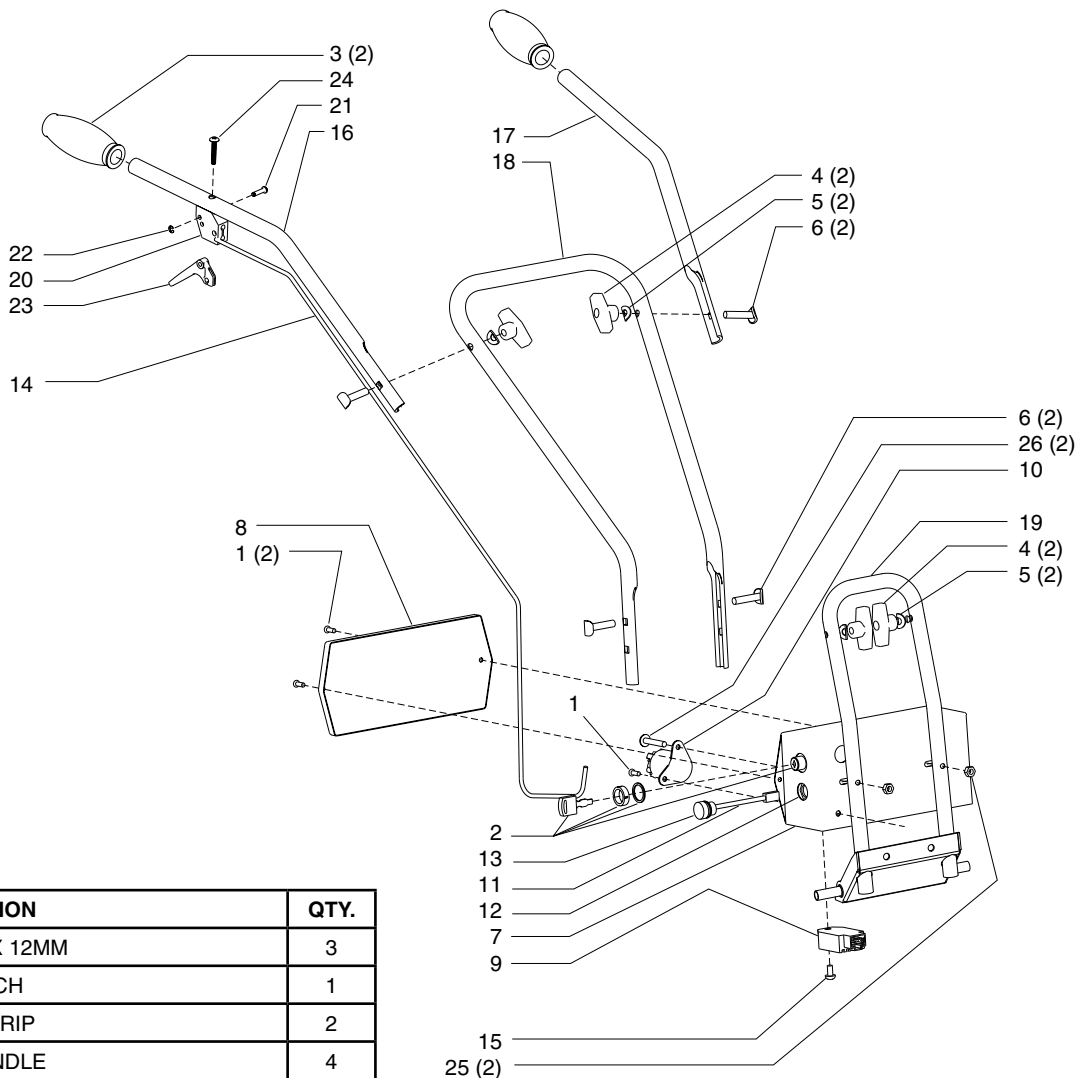
WALK BEHIND EDGER OPERATORS MANUAL



***WE43E
(electric start)***

***WE43
(manual start)***

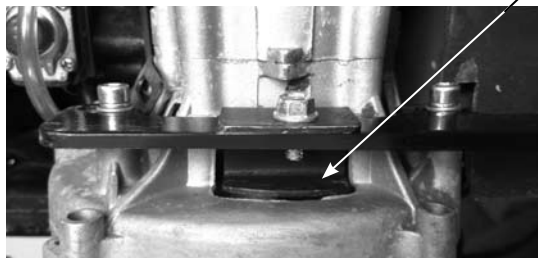
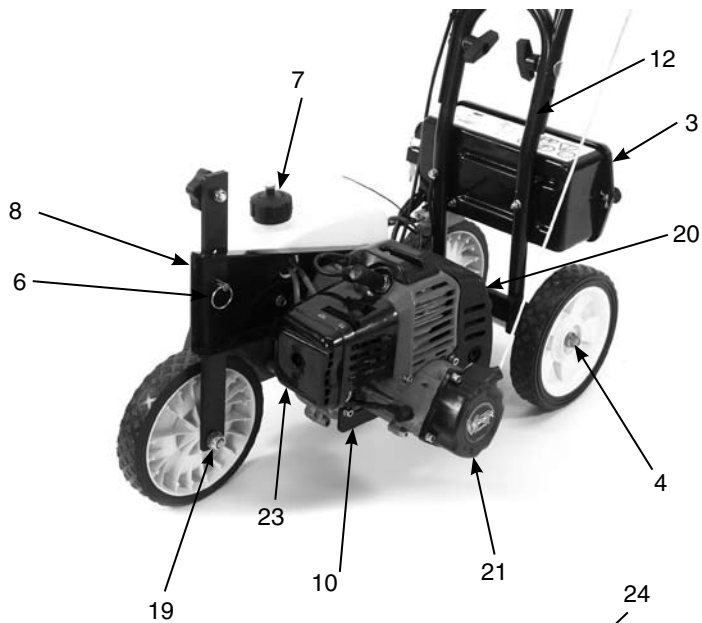
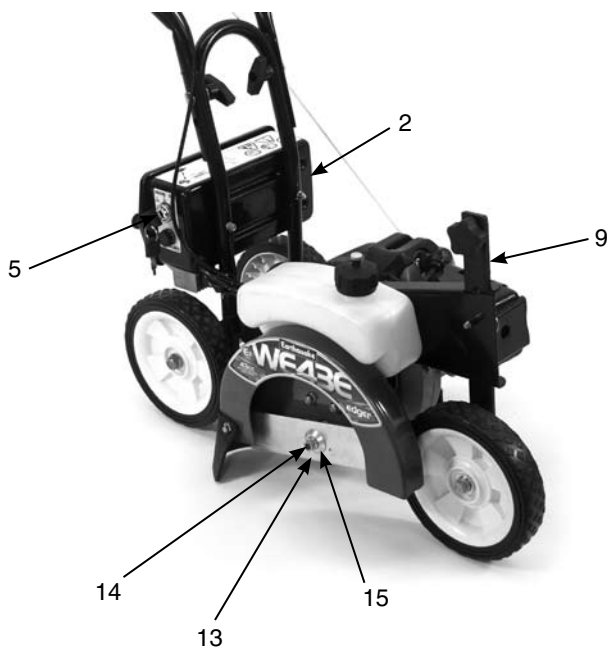
WE43E HANDLEBAR PARTS



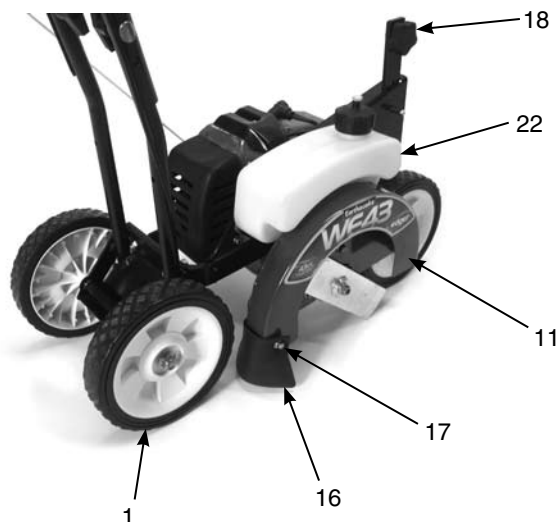
KEY	PART #	DESCRIPTION	QTY.
1	300471	BOLT, M5 X 12MM	3
2	46140	KEY SWITCH	1
3	4639	HANDLE GRIP	2
4	4640	NUT, T-HANDLE	4
5	4641	WASHER	4
6	4642	BOLT, HANDLE CLAMP	4
7	4656	BATTERY BOX MC43E	1
8	4657	COVER, BATTERY BOX	1
9	4659	VOLTAGE RECTIFIER	1
10	4660	SOLENOID	1
11	4661	CHARGER PIGTAIL	1
12	4662	NUT, CHARGER PIGTAIL	1
13	4663	CAP, CHARGER PIGTAIL	1
14	400041	THROTTLE CABLE	1
15	4669	BOLT, M6 X 1MM X 12MM PAN HD	1
16	4689	HANDLEBAR UPPER RIGHT	1
17	4690	HANDLEBAR UPPER LEFT	1
18	4693	HANDLEBAR MIDDLE	1

KEY	PART #	DESCRIPTION	QTY.
19	400008	HANDLEBAR LOWER	1
20	4800	THROTTLE HOUSING	1
21	4803	CLEVIS PIN, .188 DIA. GROOVED	1
22	4804	E- CLIP, RETAINING RING FOR .188 PIN	1
23	4805	THROTTLE TRIGGER, LONG THROW	1
24	4814	BOLT, 10-24 X 1-1/4" PHILLIPS TRUSS HD	1
25	53106	NUT, 1/4-20 BI-WAY LOCK	2
26	6041612	SCREW, 1/4-20 X 1-1/2" PH TRUSS HD MC43E	2
--	46122	BATTERY 12V 7A (NOT SHOWN)	1
--	4681	BATTERY CHARGER (NOT SHOWN)	1

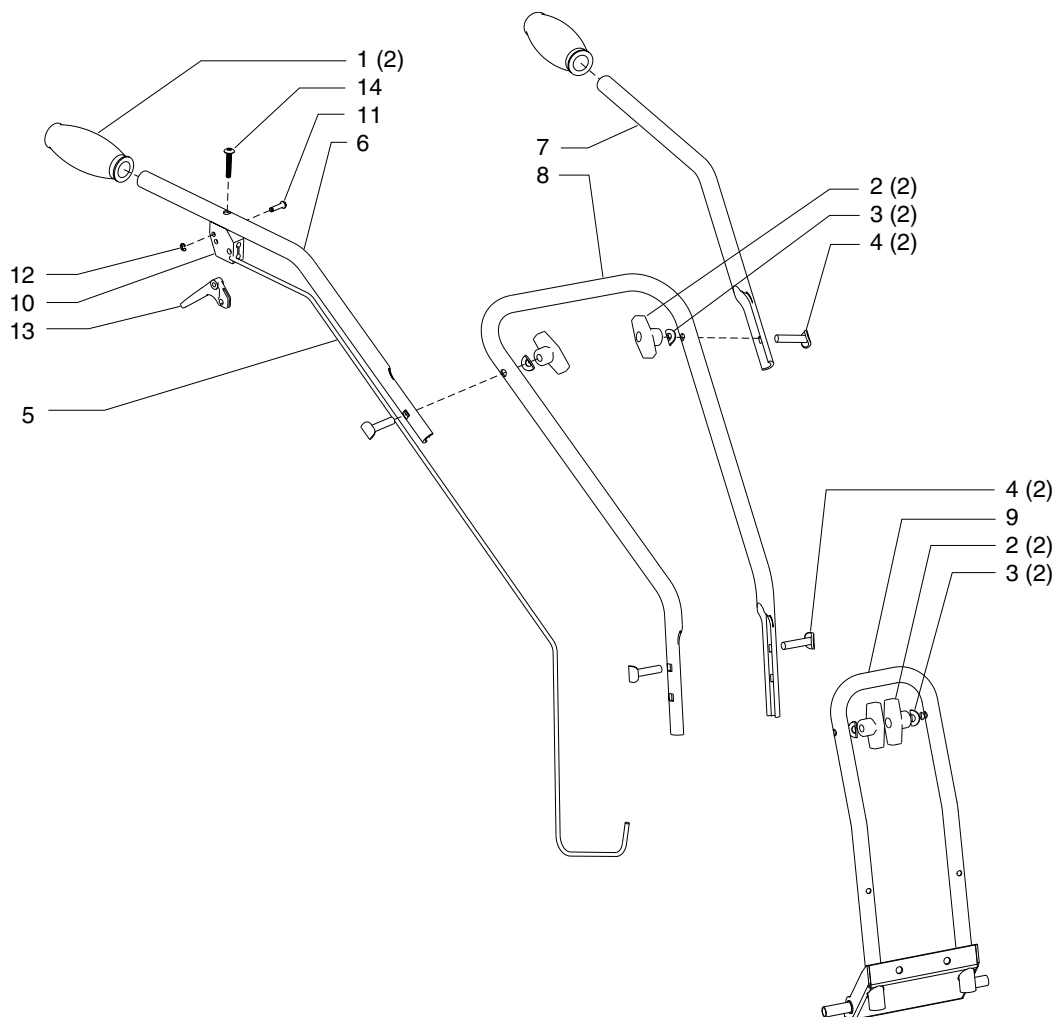
WE43E MAIN PARTS



KEY	PART #	DESCRIPTION	QTY.
1	4634	WHEEL	3
2	4656	BATTERY BOX	1
3	4657	COVER, BATTERY BOX	1
4	4687	BOLT M10 X 1.5 X 225MM HEX HD	1
5	46140	SWITCH ONLY, NO KEY	1
5	46139	KEY ONLY	1
6	46145	DETENT PIN 5/16 X 1-1/2	1
7	300401	GAS CAP, VIPER ENGINE, SCREW VENT	1
8	400003	BRACKET, WHEEL MOUNT	1
9	400005	MOUNT BAR, WHEEL AND HEIGHT ADJUSTER	1
10	400006	MOTOR MOUNT, LOWER	1
11	400007	BLADE GUARD	1
12	400008	WELDMENT, HANDLE BAR AND WHEEL MOUNT	1
13	400009	BLADE	1
14	400013	NUT FLANGE M8 LH BLADE	1
15	400014	CLAMP WASHER (BOTH SIDES)	2
16	4000171	DEBRIS SHIELD, RUBBER	1
17	400018	BOLT FLANGE M5X12	2
18	400027	KNOB, HEIGHT ADJUSTER M8 X 16	1
19	400042	BOLT SHOULDER M10 X 55	1
20	400032	MUFFLER, CATALYTIC CONVERTER	1
21	400036	RECOIL STARTER ASSEMBLY	1
22	400037	FUEL TANK	1
23	400040	AIR INTAKE COVER	1
24	400017	DEBRIS SHIELD, STEEL	1



WE43 HANDLEBAR PARTS

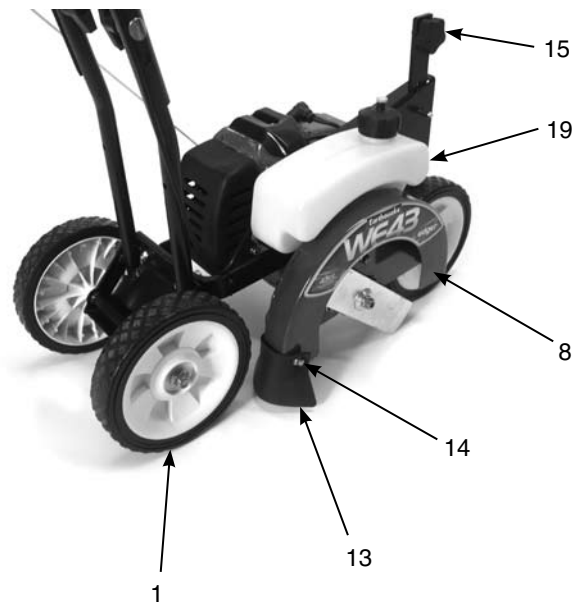
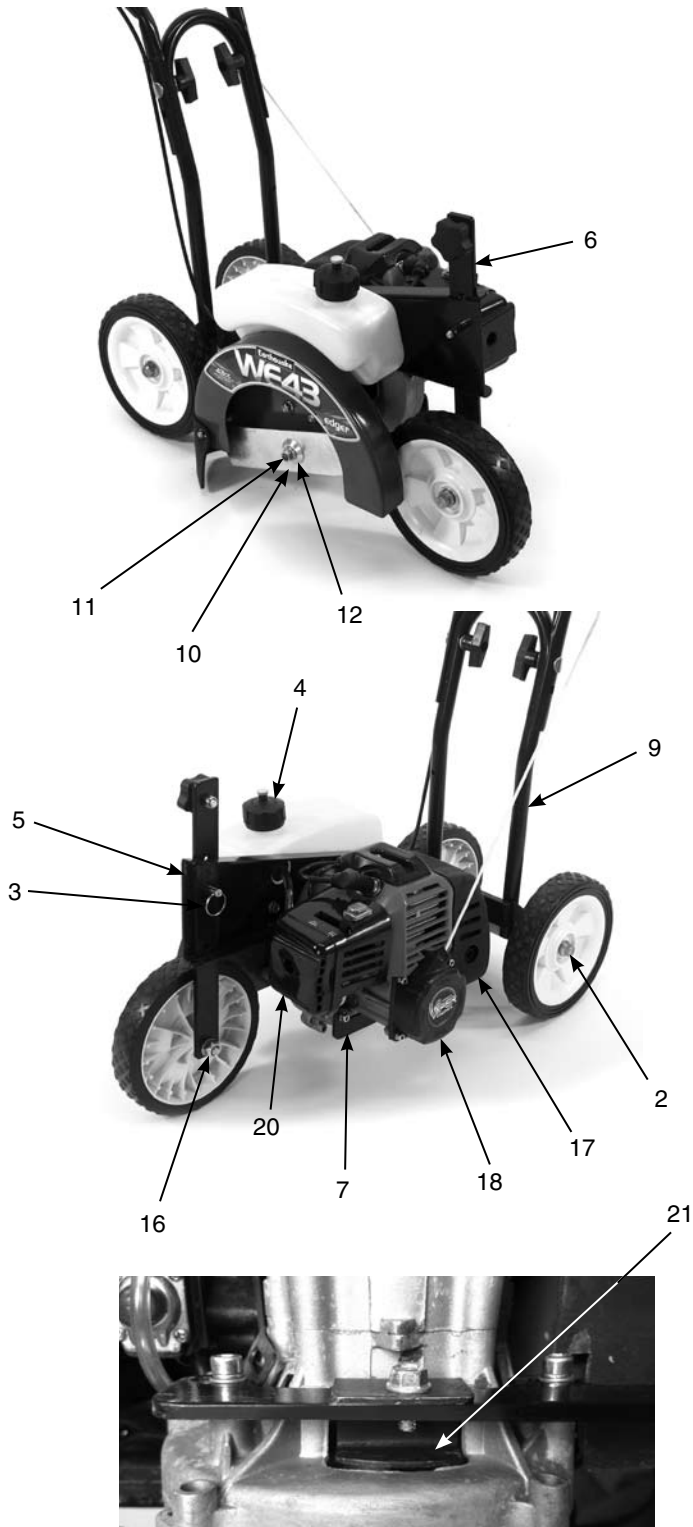


KEY	PART #	DESCRIPTION	QTY.
1	4639	HANDLE GRIP	2
2	4640	NUT, T-HANDLE	4
3	4641	WASHER	4
4	4642	BOLT, HANDLE CLAMP	4
5	400041	THROTTLE CABLE	1
6	4689	HANDLEBAR UPPER RIGHT	1
7	4690	HANDLEBAR UPPER LEFT	1
8	4693	HANDLEBAR MIDDLE	1

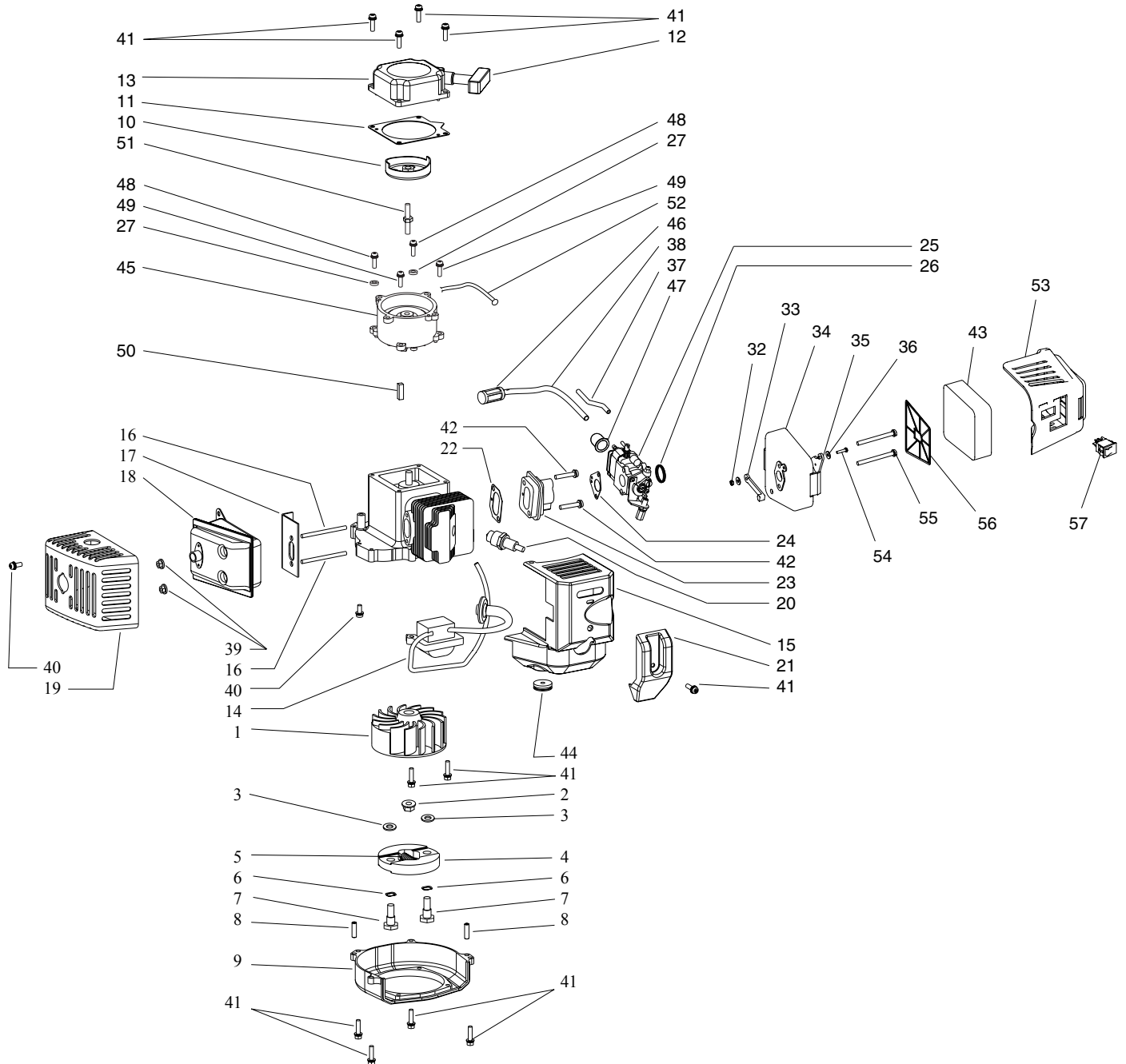
KEY	PART #	DESCRIPTION	QTY.
9	400008	HANDLEBAR LOWER	1
10	4800	THROTTLE HOUSING	1
11	4803	CLEVIS PIN, .188 DIA. GROOVED	1
12	4804	E- CLIP, RETAINING RING FOR .188 PIN	1
13	4805	THROTTLE TRIGGER, LONG THROW	1
14	4814	BOLT, 10-24 X 1-1/4" PHILLIPS TRUSS HD	1

WE43 MAIN PARTS

KEY	PART #	DESCRIPTION	QTY.
1	4634	WHEEL	3
2	4687	BOLT M10 X 1.5 X 225MM HEX HD	1
3	46145	DETENT PIN 5/16 X 1-1/2	1
4	300401	GAS CAP, VIPER ENGINE, SCREW VENT	1
5	400003	BRACKET, WHEEL MOUNT	1
6	400005	MOUNT BAR, WHEEL AND HEIGHT ADJUSTER	1
7	400006	MOTOR MOUNT, LOWER	1
8	400007	BLADE GUARD	1
9	400008	WELDMENT, HANDLE BAR AND WHEEL MOUNT	1
10	400009	BLADE	1
11	400013	NUT FLANGE M8 LH BLADE	1
12	400014	CLAMP WASHER (BOTH SIDES)	2
13	4000171	DEBRIS SHIELD - RUBBER	1
14	400018	BOLT FLANGE M5X12	2
15	400027	KNOB, HEIGHT ADJUSTER M8 X 16	1
16	400042	BOLT SHOULDER M10 X 55	1
17	400032	MUFFLER, CATALYTIC CONVERTER	1
18	400036	RECOIL STARTER ASSEMBLY	1
19	400037	FUEL TANK	1
20	400040	AIR INTAKE COVER	1
21	400017	DEBRIS SHIELD - STEEL	1



ENGINE PARTS



ENGINE PARTS LIST

KEY	PART #	DESCRIPTION	QTY.
1	300484	MAGNETO FLYWHEEL	1
2	300337	FLANGE NUT M8	1
3	300462	ROTOR WASHER	2
4	300413	CLUTCH ROTOR ASSEMBLY	1
5	300412	CLUTCH SPRING	1
6	300449	SPRING WASHER	2
7	300450	SHOULDER BOLT	2
8	300467	LOCATING PIN	2
9	300487	MOUNT RING & SHROUD	1
10	300491	RECOIL CLUTCH	1
11	300429	RECOIL PLATE	1
12	3004121	STANDARD RECOIL HANDLE	1
13	400036	RECOIL ASSEMBLY W/STANDARD HANDLE	1
14	300472	IGNITION COIL	1
15	300482	ENGINE SHROUD	1
16	300493	STUD BOLT M6 X 62MM	2
17	300475	MUFFLER GASKET	1
18	400033	CATALYTIC CONVERTER MUFFLER	1
19	400032	METAL MUFFLER COVER	1
20	BM6A	SPARK PLUG	1
21	300483	ENGINE SHROUD COVER	1
22	300476	INTAKE GASKET	1
23	300478	INTAKE WINDPIPE	1
24	300479	CARBURETOR GASKET	1
25	300486	CARBURETOR	1
26	300481	CARBURETOR O-RING	1
27	300445	WASHER M5	2

KEY	PART #	DESCRIPTION	QTY.
32	3004154*	NUT, NYLOC, CHOKE LEVER	1
33	3004151*	CHOKE LEVER	1
34	30041501*	BASE, AIR FILTER	1
35	3004152*	CHOKE PADDLE	
36	3004155*	WASHER,CHOKE LEVER	2
-	300470	FUEL LINE HOSE & FILTER	1
37	400039	PRIMER LINE HOSE 10.5"	1
38	400038	FUEL LINE HOSE 15"	1
39	300492	FLANGE NUT M6	2
40	300471	BOLT W/WASHER M5 X 12MM	3
41	300439	BOLT W/WASHER PH M5 X 18MM	13
42	300438	BOLT W/WASHER M5 X 25MM	4
43	3004156	FOAM, AIR FILTER	1
44	300463	ENGINE SHROUD GROMMET	1
45	300529	STARTER MOTOR (Model WE43E only)	1
46	3004103	FUEL FILTER	1
47	3004109	PRIMER BULB	1
53	3004158	COVER, AIR FILTER	1
54	3004153*	BOLT, CHOKE LEVER	1
55	300456	BOLT M5 X 50MM	2
56	3004157	PLATE, REINFORCEMENT	1
57	1021	SWITCH, ROCKER	1
--	300338	FLYWHEEL KEY (NOT SHOWN)	1
--	300410	KIT, TUNE-UP (includes spark plug, carb air filter, fuel filter, bottle of Viper 2-cycle oil & spark plug wrench)	1
--	3004114	CARBURETOR REPAIR KIT	1
WE43E ELECTRIC START MODEL ONLY			
27	300445	WASHER M5	2
45	300529	STARTER MOTOR KIT (includes starter, stud bolt, clutch drum & ground wire)	1
48	300438	BOLT W/WASHER M5 X 25MM	2
49	300439	BOLT W/WASHER PH M5 X 18MM	2
50	300339	KEY, ELECTRIC STARTER	1
51	300525	STUD BOLT M6 X 41MM	1
52	300527	STARTER WIRE	1

*P/N 3004150 Air Base sold as an assembly unit only.