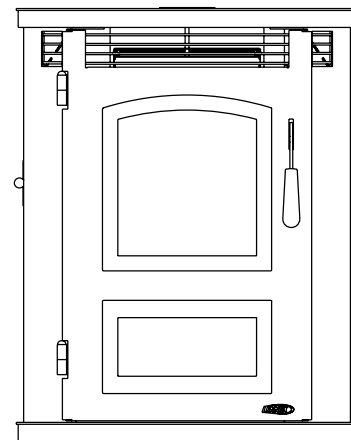


### Free-Standing Pellet Stove

Save These Instructions  
For Future Reference

P/N 775,196M, Rev. B, 05/2009



### Pellet Stove Model Montage™ 32FS



Report No. 3105656MID

A French manual is available upon request. Order P/N 775,196CF.

Ce manuel d'installation est disponible en français, simplement en faire la demande. Numéro de la pièce 775,196CF.

This appliance must be properly installed and operated in order to prevent the possibility of a house fire. Please read this entire manual before installation and use of this pellet fuel-burning room heater. Failure to follow these instructions could result in property damage, bodily injury or even death. Contact your local building or fire officials to obtain a permit and information on any installation requirements and inspection requirements in your area.



[www.nficertified.org](http://www.nficertified.org)

We recommend that our pellet hearth products be installed and serviced by professionals who are certified in the U.S. by the National Fireplace Institute® (NFI) as NFI Pellet Specialists or who are certified in Canada by Wood Energy Technical Training (WETT).



### ! WARNINGS



- **Hot! Do not touch!** The glass and surfaces of this appliance will be hot during operation and will retain heat for a while after shutting off the appliance. Severe burns may result.
- Carefully supervise children in the same room as appliance.
- Lennox™ pellet-burning appliances are designed for use as a supplemental heater. They are not intended for continuous use as a primary heat source.

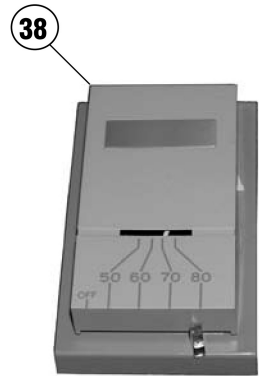
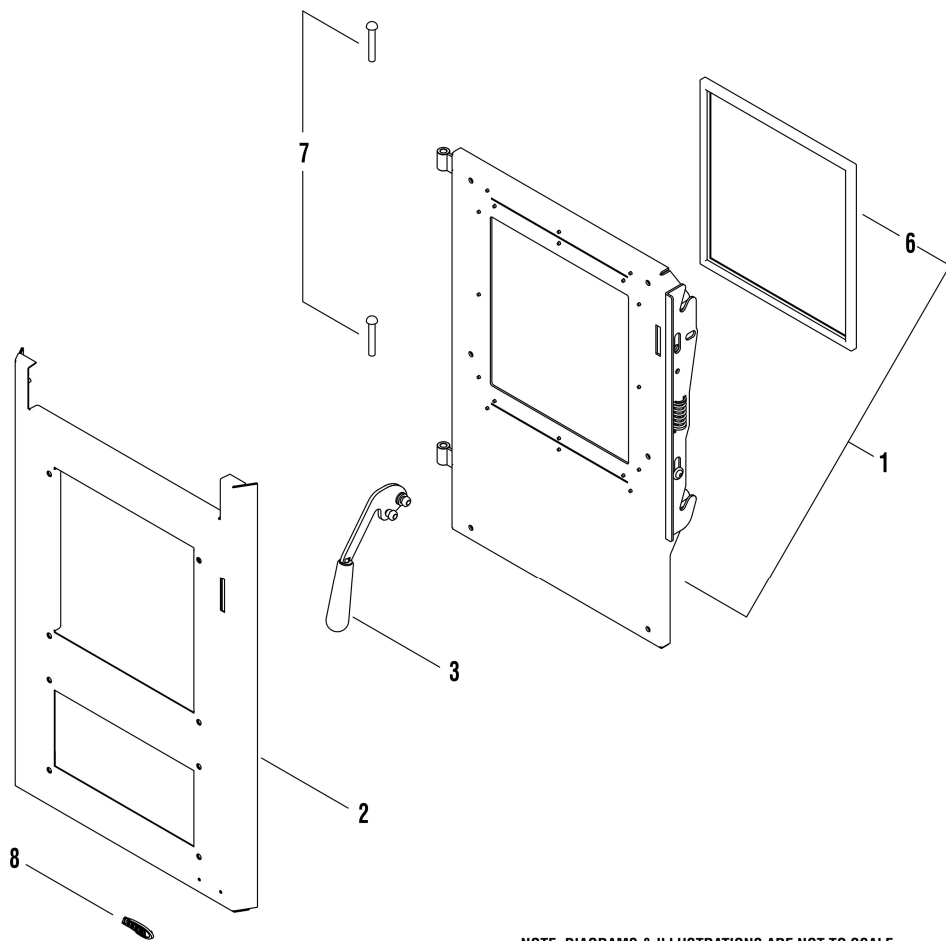
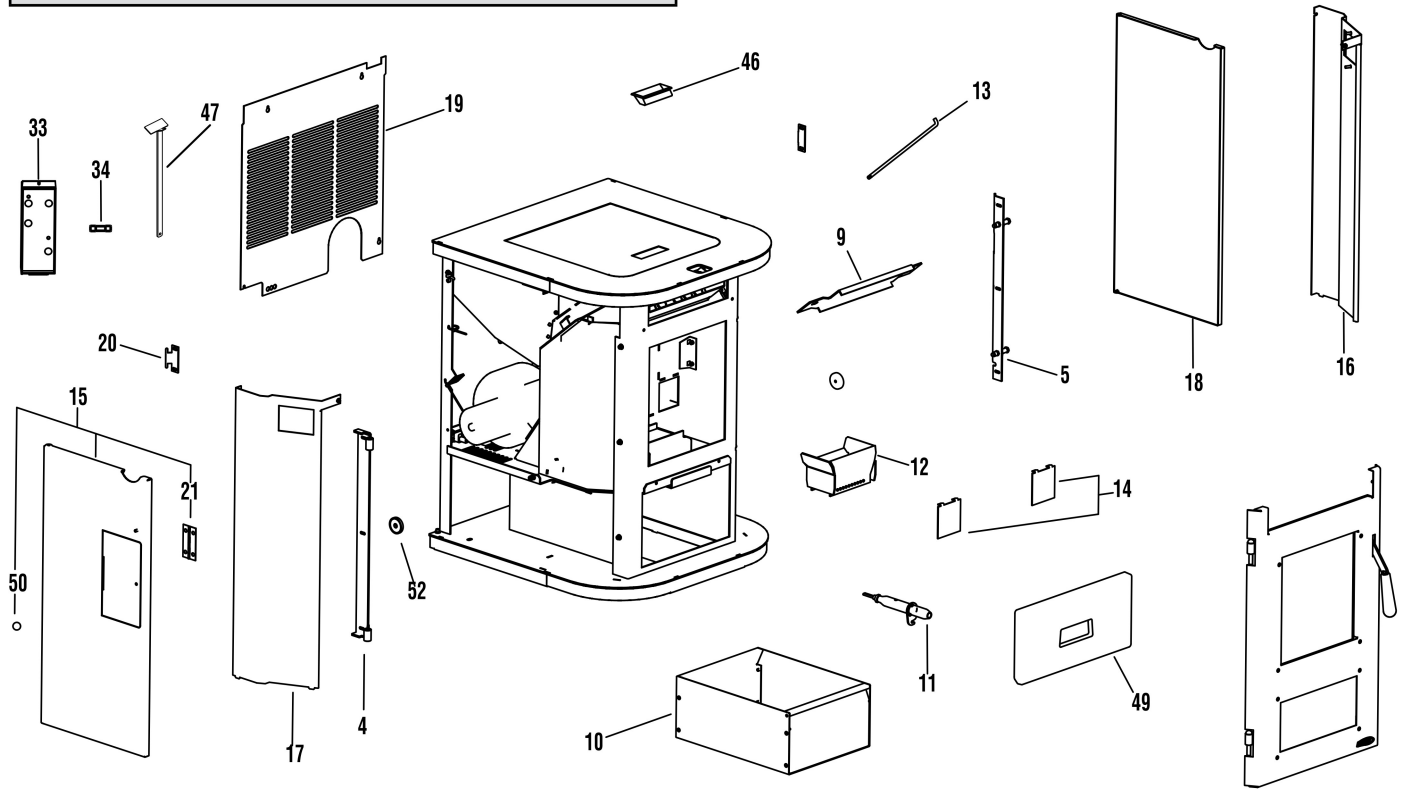
**REPLACEMENT PARTS LIST - MONTAGE™ 32FS**

Contact an Authorized Lennox Hearth Products dealer to obtain any of these parts. Never use substitute materials. Use of non-approved parts can result in poor performance and safety hazards.

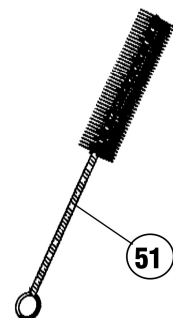
| DOOR PARTS    |          |  |
|---------------|----------|--|
| Item #        | Cat. No. | Description  |
| 1             | H7045    | Door Assembly  |
| 2             | H7046    | Face Assembly  |
| 3             | H7047    | Door Handle Assembly   |
| 4             | H7048    | Hinge Plate Assembly   |
| 5             | H7049    | Latch Plate Assembly   |
| 6             | H7313    | Door Rope Kit, 4 ft.   |
| 7             | 12050506 | Door Hinge Pin (2 per pkg.)  |
| 8             | H7050    | Lennox Logo Pewter Badge   |
| FIREBOX PARTS |          |  |
| 9             | H7051    | Heat Exchanger Baffle Assembly   |
| 10            | H7052    | Ash Pan Assembly   |
| 11            | 12150213 | Igniter Assembly (Instr. Form # 506033-07)   |
| 12            | 12158905 | UltraGrate™  |
| 13            | 17150009 | Scraper Rod  |
| 49            | H7054    | Refractory Panel   |
| 14            | H7055    | Ash Clean-out Covers (Pair)  |
| PANELS        |          |  |
| 15            | H7056    | Left Side Door Assembly  |
| 16            | H7057    | Right Corner Panel Assembly  |
| 17            | H7058    | Left Corner Panel Assembly   |
| 18            | H7059    | Right Side Door  |
| 19            | H7060    | Stove Back Cover   |
| 20            | H7061    | Side Door Hinge Bracket  |
| 21            | H7062    | Hinge, 3" (1 per pkg.)   |
| ELECTRICAL    |          |  |
| 22            | H7309    | Convection Blower Assembly   |
| 23            | H7310    | Combustion Blower Assembly   |
| 24            | H7312    | Hopper Lid Switch Bracket (1 per pkg.)   |
| 36            | H7063    | Hopper Lid Switch (1 per pkg.)   |
| 26            | H7065    | High Limit Auto Reset Reverse Flow Snap Switch Assembly, L250-30F N/C, (1 per pkg.) (on firebox base behind convection jacket & above the ash pan) |
| 28            | 12147705 | High Limit Auto Snap Switch, L250-30F N/C, (3 per pkg.) (on convection jacket)   |
| 37            | H5887    | Low Limit Auto Proof of Fire Snap Switch Assembly, F140-30F N/O, (1 per pkg.) 57601  |

| Item #  | Cat. No. | Description                                    |
|---------|----------|--|
| 27      | 12155907 | Igniter Inline Holder with Fuse                |
| 29      | 16050001 | Pressure Switch                                |
| 30      | H5898    | Pressure Switch Hose                           |
| 31      | H7066    | Wiring Harness                                 |
| 32      | H3079    | Power Cord                                     |
| 33      | H7067    | Control Board                                  |
| 50      | 12051409 | Control Panel Knob                             |
| 34      | 12055908 | Fuse, Control Board and Igniter, (12 per pkg.) |
| 35      | H5886    | Auger Motor                                    |
| 38      | 16050205 | Wall Thermostat                                |
| ***     | H3457    | Wire, Thermostat                               |
| 55      | H7386    | AC Receptacle (for power cord)                 |
| MISC.   |          |  |
| 40      | H7068    | Flue Outlet Tube Assembly                      |
| 52      | H5916    | Round Door Magnet                              |
| 41      | 11756300 | Auger Shaft Assembly                           |
| 42      | H7311    | Auger End Plate                                |
| 43      | 12041300 | Auger Collar Assembly                          |
| 44      | 12051001 | Auger Motor Bumper (5 per pkg.)                |
| 45      | 12051100 | Upper Shaft Bushing, Brass (12 per pkg.)       |
| 46      | H4958    | Hopper Lid Handle                              |
| 47      | 12055500 | Scraper Tool                                   |
| GASKETS |          |  |
| 53      | 61050016 | Flue Outlet Gasket (5 per pkg.)                |
| 54      | 61050005 | Combustion Blower Gasket (5 per pkg.)          |
| 55      | 61057203 | Convection Blower Gasket (5 per pkg.)          |
| 56      | H7074    | Auger Tube End Cap Gasket (5 per pkg.)         |
| 51      | 12050004 | Cleaning Brush                                 |

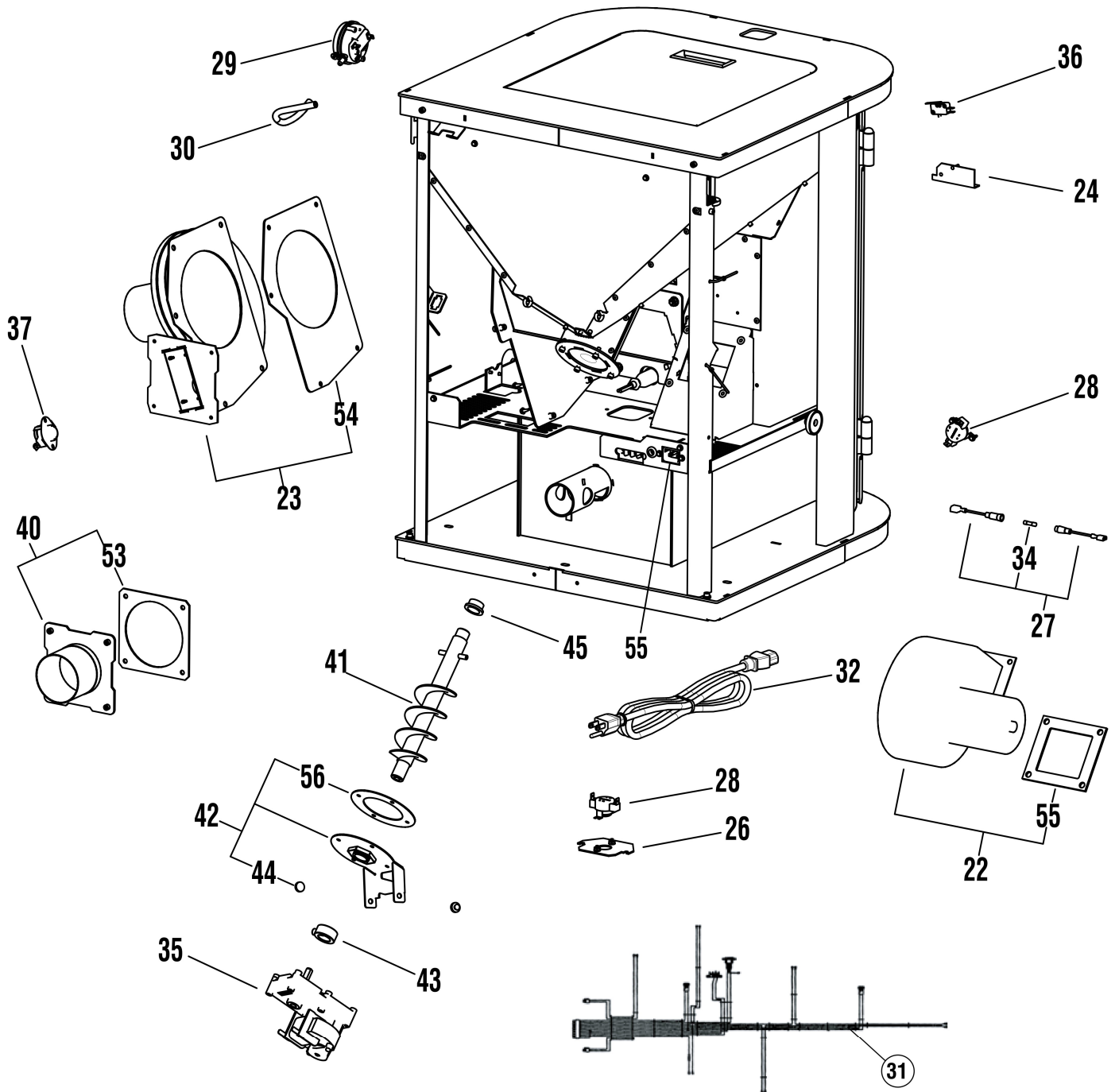
**REPLACEMENT PARTS - MONTAGE™ 32FS**



*Includes 20 feet of thermostat wire*



REPLACEMENT PARTS - MONTAGE™ 32FS



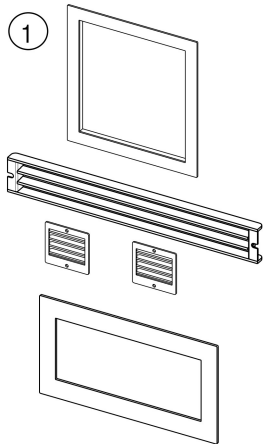
NOTE: DIAGRAMS & ILLUSTRATIONS ARE NOT TO SCALE

**OPTIONAL ACCESSORIES - MONTAGE™ 32FS**

| Item #                      | Cat. No. | Model          | Description   |
|-----------------------------|----------|----------------|---|
| <b>Optional Accessories</b> |          |                |   |
| 1                           | H6840    | MONT-32FS-CONT | Contemporary Trim Accessory Kit, Brushed Nickel (775201M)     |
| 2                           | H6841    | MONT-32FS-ART  | Artisan Accessory Trim Kit, Matte Black (775201M)             |
| 3                           | H6842    | MONT-32FS-ARCH | Arch Accessory Trim Kit, Matte Black (775201M)                |
| 4                           | H6843    | MONT-32FS-GOTH | Gothic Cast Iron Accessory Kit, Black Paint (775201M)         |
| 5                           | H0244    | DLS-PM         | Log Set (775077M)   |
| 6                           | 70K99    | TSPK-B         | Touch-up Paint, Black   |
| 7                           | 12050093 |                | Quick Disconnect Pipe Connector, 3" (ref. Form # 506033-02)   |
| 7                           | 14M81    | QDPC-4         | Quick Disconnect Pipe Connector, 4" * (ref. Form # 506033-02) |

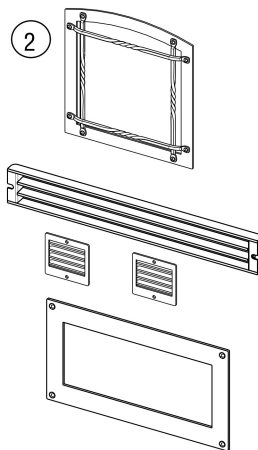
**NOTE:** The form numbers referenced are the part numbers of the instruction sheets included in kits.

**\* Converts from standard 3" outlet to 4"**



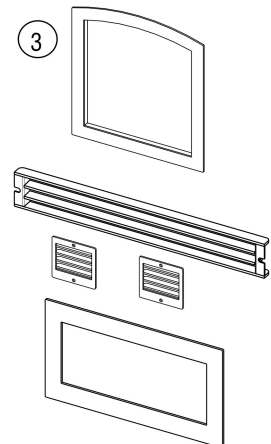
Form # 775,201M

Contemporary Accessory Kit,  
M32FS, Brushed Nickel



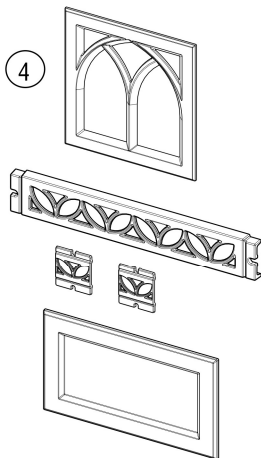
Form # 775,201M

Artisan Accessory Kit, M32FS,  
Matte Black



Form # 775,201M

Arch Accessory Kit, M32FS,  
Matte Black



Form # 775,201M

Gothic Accessory Kit, M32FS,  
Black Paint



Form # 775,077M

