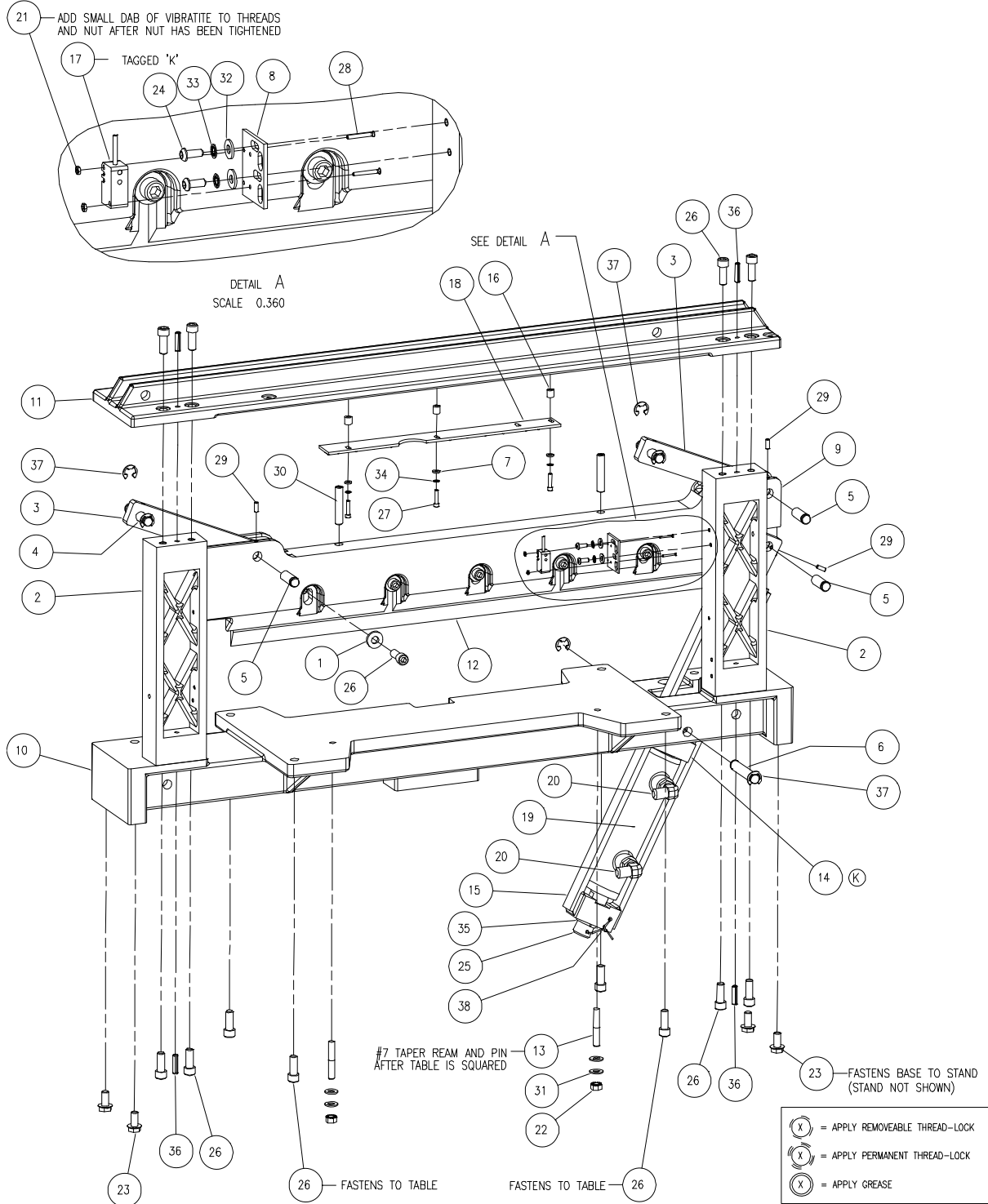


4.0 Schematics & Parts Lists

4.1 Main Assembly – Knife

72000 Sheet 1, Rev."K"



Main Assembly- Knife Parts List

NO.	PART NO.	DESCRIPTION	QTY
1	8815	WASHER - 3/8 HEAVY	5
2	10002-2	FRONT GUIDE	2
3	10008	LINK- KNIFE BAR	2
4	10009	PIN- LINK	2
5	10010	PIN- KNIFE BAR	3
6	10064	PIN -- STRAIGHT ROD END	1
7	11288-7	WASHER/SPACER	3
8	41008	BRACKET- PROX, KNIFE DOWN	1
9	42002	KNIFE BAR	1
10	42004	BASE - MACHINED CASTING	1
11	42005	ARCH - MACHINED CASTING	1
12	42007	KNIFE - TITAN 230	1
13	44055	PIN- SPECIAL TAPER	2
14	71008	CYL. SPACER BLOCK	1
15	AA-10018-1	CYLINDER BRACKET WELDMENT	1
16	E-1152-73	STANDOFF	3
17	EE-2770-4	PROX. ASM.- KNIFE UP LIMIT	REF
18	EE-3081-2	PC BOARD – LINE LIGHTS	1
19	H-210-3	KNIFE CYL, NPT PORTS (S/N 14xxxxx & BELOW)	1
	H-210-4	KNIFE CYL, O-RING PORTS (S/N 14xxxxx & ABOVE)	
20	H-237-4	ELBOW- NPT TO TUBE (S/N 14xxxxx & BELOW)	2
	H-230-3	ELBOW- ORING TO TUBE (S/N 14xxxxx & ABOVE)	
21	H-6417-#2	NUT - #2-56 HEX	2
22	H-6423-5	NUT - 5/16-18 HEX KEP	2
23	H-6894-606	SCREW - 3/8-16 X 3/4 WHIZ LOCK	4
24	H-6910-102404	SCREW - #10-24 X 1/2 BUTTON HEAD CAP	2
25	H-6918-1020HH	SCREW - 5/8-11 X 2-1/2 SOC HEAD - HOLE IN HEAD	1
26	H-6918-608	SCREW - 3/8-16 X 1 SOCKET HEAD CAP	17
27	H-6918-83206	SCREW - #8-32 X 3/4 SOCKET HEAD CAP	3
28	H-6922-25612	SCREW - #2-56 X 3/4 FLAT HEAD CAP	2
29	H-6938-102408	SCREW - #10-24 X 1/2 CUP SOC SET	3
30	H-6940-632	SCREW - 3/8-16 X 2 FLAT SOC SET	2
31	H-7321-5	WASHER - 5/16 SAE PLAIN	4
32	H-7321-#10	WASHER - #10 SAE PLAIN	2
33	H-7324-#10	WASHER - #10 INT TOOTH	2
34	H-7324-#8	WASHER - #8 INT TOOTH	3
35	H-7327-20	WASHER - 5/8 MEDIUM LOCK	1
36	H-21S-250-1000	ROLL PIN - 1/4 X 1	4
37	S-1193-50	E-RING - 1/2"	6
38	S-2024	SAFETY WIRE	1

Main Assembly- Clamp Parts List

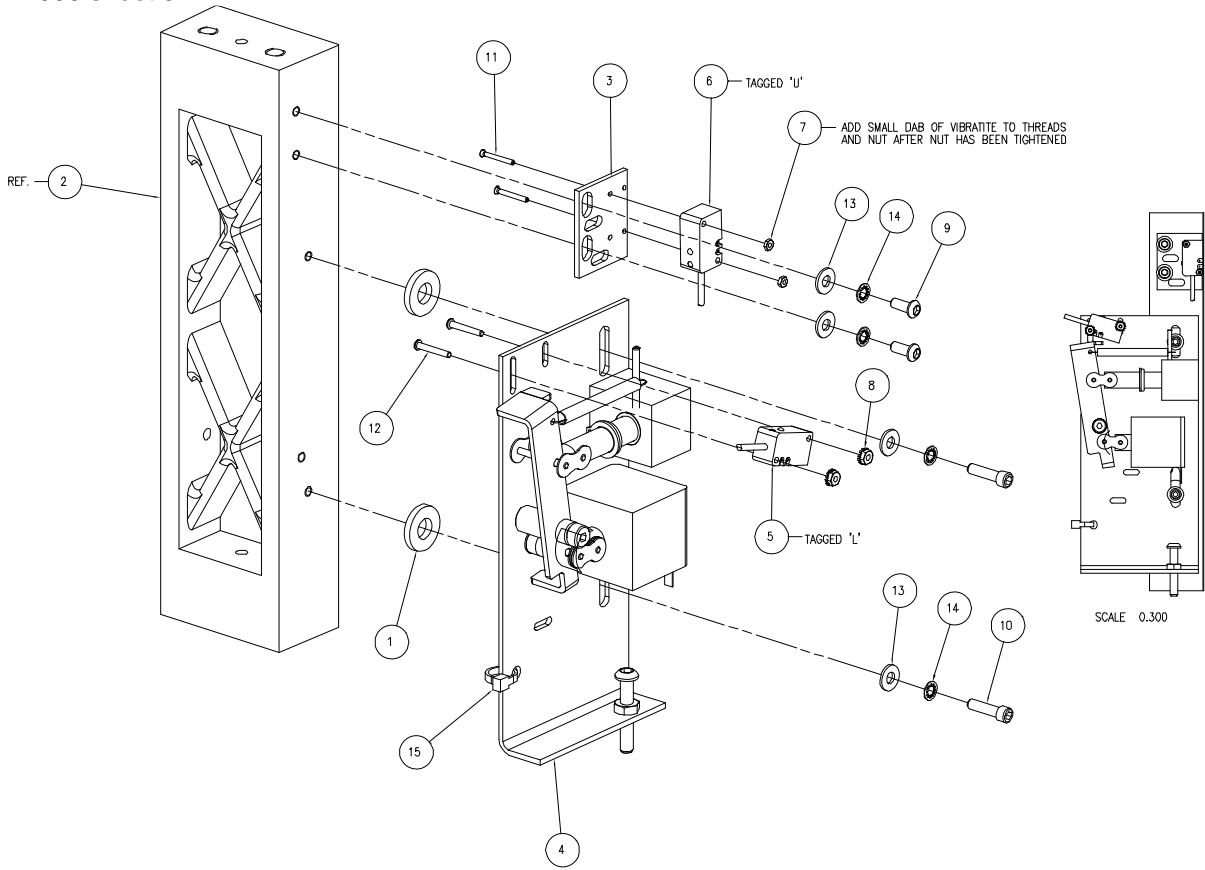
NO.	PART NO.	DESCRIPTION	QTY
1	10002-3	REAR GUIDE	2
2	10075-1	ROD- CLAMP	2
3	41033	BRACKET- CLAMP UP	1
4	42003	CLAMP	1
5	42004	BASE - MACHINED CASTING	1
6	42005	ARCH - MACHINED CASTING	1
7	42010	PULLDOWN - FOOT PEDAL	1
8	42013	FALSE CLAMP PLATE ASSEMBLY	1
9	42016	TORSION BAR	1
10	42017	TORSION LINK	2
11	42056	CLAMP LEVELING BLOCK	2
12	43033	BRACKET- CLAMP UP PROX.	1
13	43073	DAMPER ASSEMBLY	1
14	43074	ROD - CLAMP CYLINDER	1
15	43076	ACTUATOR - HYDRAULIC UP PROX.	1
16	44194	PROX BRACKET	1
17	47086	PIN- BELL CRANK	2
18	47136-12	1-3/4" OD EXTENSION SPRING	2
19	47136-4	7/8" OD EXTENSION SPRING	2
20	E-2204-1	PROXIMITY SWITCH	1
21	EE-2770-1	PROX. ASM.- HYDRAULIC UP	REF
22	EE-2770-2	PROX. ASM.- CLAMP UP LIMIT	REF
23	H-211-1	CLAMP CYL, NPT PORTS (S/N 14xxxxx & BELOW)	1
	H-211-3	CLAMP CYL, O-RING PORTS (S/N 14xxxxx & ABOVE)	
24	H-237-4	ELBOW- NPT TO TUBE (S/N 14xxxxx & BELOW)	2
	H-230-3	ELBOW- ORING TO TUBE (S/N 14xxxxx & ABOVE)	
25	H-5246-618	DOWEL PIN - 3/8 X 2-1/4 HD GD	2
26	H-5254-606	SCREW - 3/8 X 3/4 SHSS	2
27	H-5254-616	SCREW - 3/8 X 2 SHSS	2
28	H-6414-8	NUT - 1/2-13 WHIZ LOCK	4
29	H-6423-4	NUT - 1/4-20 HEX KEP	3
30	H-6423-N4	NUT - #4-40 HEX KEP	4
31	H-6428-4	NUT - 1/4-28 HEX JAM	1
32	H-6910-102404	SCREW - #10-24 X 1/2 BUTTON HEAD CAP	4
33	H-6910-403	SCREW - 1/4-20 X 3/8 BUTTON HEAD CAP	2
34	H-6918-410	SCREW - 1/4-20 X 1-1/4 SOCKET HEAD CAP	1
35	H-6918-440	SCREW - 1/4-20 X 5 SOCKET HEAD CAP	1
36	H-6918-608	SCREW - 3/8-16 X 1 SOCKET HEAD CAP	10
37	H-6918-610	SCREW - 3/8-16 X 1-1/4 SOCKET HEAD CAP	4
38	H-6922-44010	SCREW - #4-40 X 5/8 FLAT HEAD CAP	2
39	H-6923-44012	SCREW - #4-40 X 3/4 ROUND HD MACH	4
40	H-6938-404	SCREW - 1/4-20 X 1/4 CUP SOC SET	2
41	H-6938-512	SCREW - 5/16-18 X 3/4 CUP SOC SET	4
42	H-6951-406	SCREW - 1/4-20 X 3/8 NYLOK FLT PT SOC SET	3
43	H-7321-4	WASHER - 1/4 SAE PLAIN	2

Main Assembly- Clamp Parts List

NO.	PART NO.	DESCRIPTION	QTY
44	H-7321-#10	WASHER - #10 SAE PLAIN	4
45	H-7321-N4	WASHER - #4 SAE PLAIN	2
46	H-7324-8	WASHER - 1/4 INT TOOTH	2
47	H-7324-N10	WASHER - #10 INT TOOTH	4
48	H-7324-N4	WASHER - #4 INT TOOTH	2
49	H-7327-12	WASHER - 3/8 MEDIUM LOCK	2
50	H-21S-250-1000	ROLL PIN - 1/4 X 1	4
51	S-1193-50	E-RING - 1/2"	4
52	S-1694	TYRAP	1
53	S-1884	EYE BOLT W/ NUT	2

4.3 Main Assembly – Knife Latch

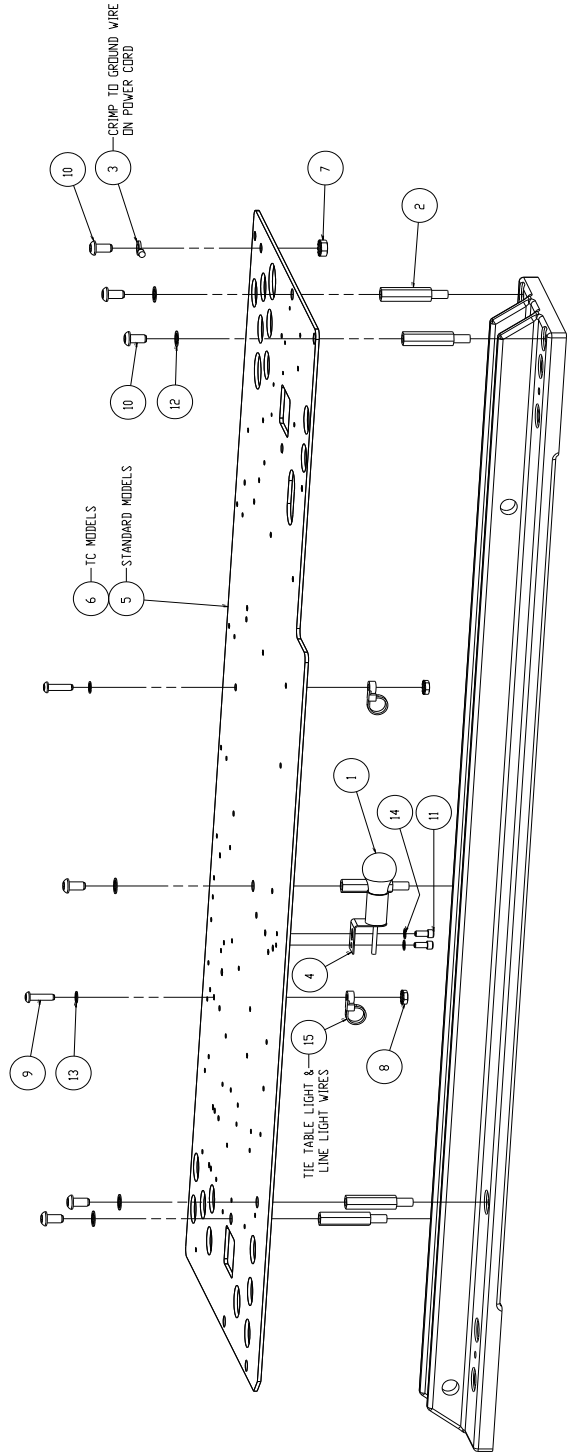
72000 sheet 3



NO.	PART NO.	DESCRIPTION	QTY
1	8815	WASHER - KNIFE SCREWS	2
2	10002-2	FRONT GUIDE	1
3	41008	BRACKET- PROX, KNIFE DOWN	1
4	41120-4	ASSEMBLY- KNIFE LATCH	1
5	EE-2770	PROX. ASM.- KNIFE LATCH	1
6	EE-2770-4	PROX. ASM.- KNIFE UP LIMIT	1
7	H-6417-N2	NUT - #2-56 HEX	2
8	H-6423-N4	NUT - #4-40 HEX KEP	2
9	H-6910-102404	SCREW - #10-24 X 1/2 BUTTON HEAD CAP	2
10	H-6918-102406	SCREW - #10-24 X 3/4 SOCKET HEAD CAP	2
11	H-6922-25612	SCREW - #2-56 X 3/4 FLAT HEAD CAP	2
12	H-6923-44012	SCREW - #4-40 X 3/4 ROUND HD MACH	2
13	H-7321-N10	WASHER - #10 SAE PLAIN	4
14	H-7324-N10	WASHER - #10 INT TOOTH	4
15	S-1694	TYRAP	1

4.4 Main Assembly- Power Panel

72000 sheet 4

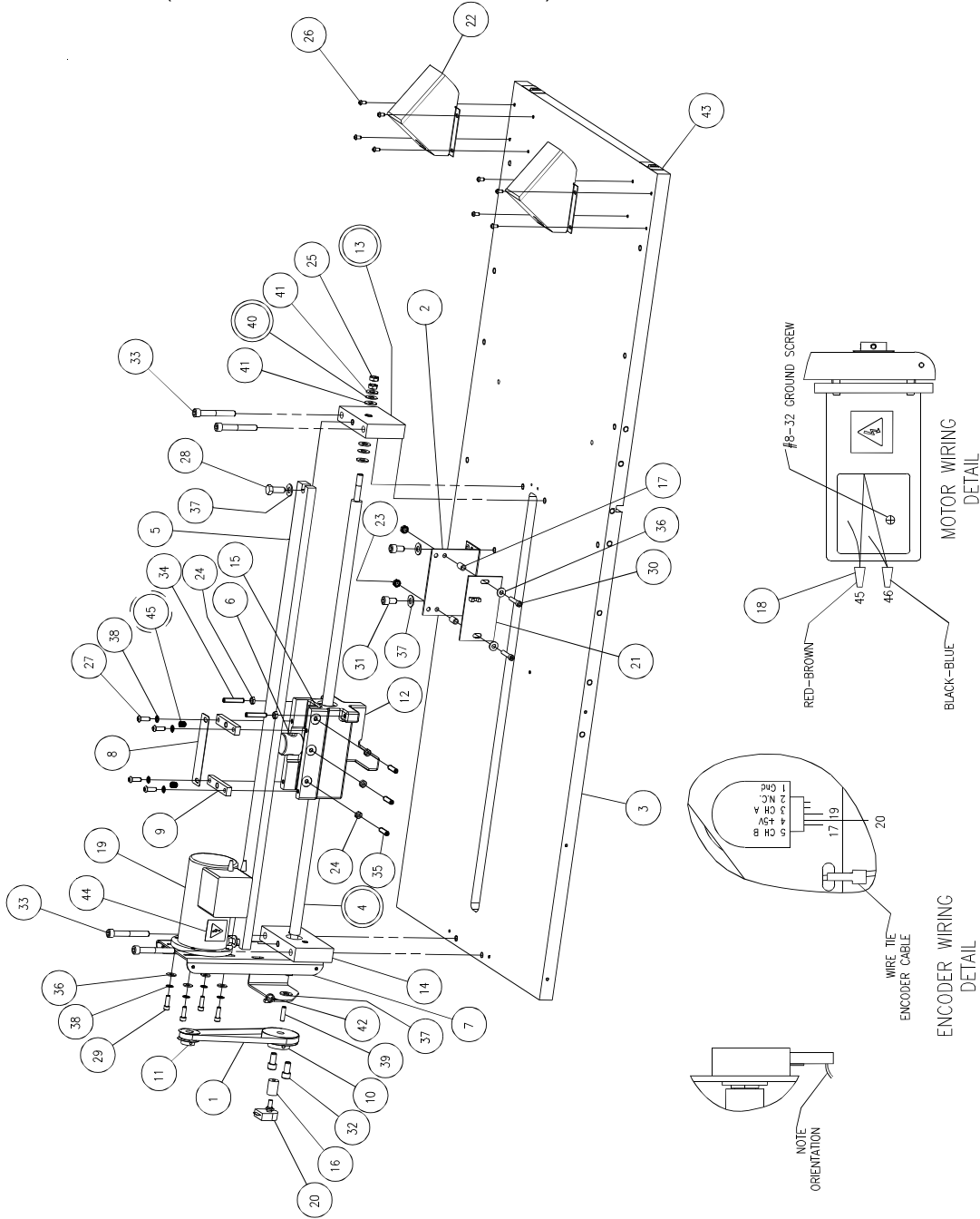


Main Assembly- Power Panel Parts List

NO.	PART NO.	DESCRIPTION	QTY
1	E-967-1	LIGHT BULB	1
2	E-1152-74	STANDOFF	5
3	E-1214-63	CONNECTOR - #10-RING	1
4	E-1260-1	SOCKET - LINE LIGHT	1
5	EE-2765-9	POWER PANEL - STANDARD MODELS	1
6	EE-3481-2	POWER PANEL - TC MODELS	1
7	H-6423-4	NUT - 1/4-20 HEX KEP	1
8	H-6423-N10	NUT - #10-24 HEX KEP	2
9	H-6910-102406	SCREW - #10-24 X 3/4 BUTTON HEAD CAP	2
10	H-6910-404	SCREW - 1/4-20 X 1/2 BUTTON HEAD CAP	6
11	H-6918-83203	SCREW - #8-32 X 3/8 SOCKET HEAD CAP	2
12	H-7324-8	WASHER - 1/4 INT TOOTH	5
13	H-7324-N10	WASHER - #10 INT TOOTH	2
14	H-7324-N8	WASHER - #8 INT TOOTH	2
15	S-1694-2	TYRAP - #10	2

4.5 Main Assembly- Table Bottom

72000 sheet 5 (Serial Numbers 120276 and Below)



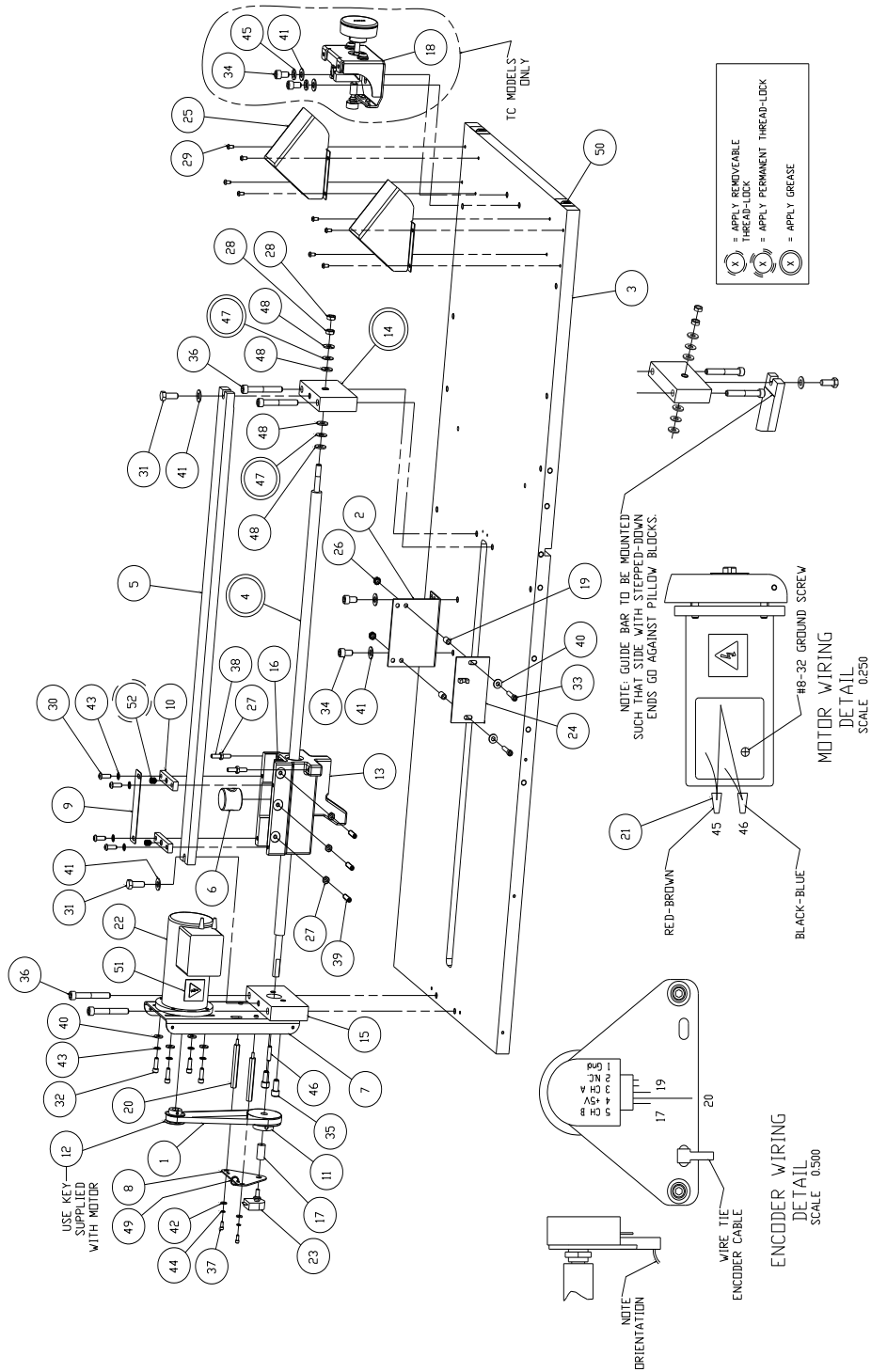
Main Assembly- Table Bottom Parts List

Serial Numbers 120276 and Below

NO.	PART NO.	DESCRIPTION	QTY
1	7954	TIMING BELT- 200XL037	1
2	10040-1	BRACKET- PRESET	1
3	42001	TABLE - TITAN 230	1
4	42019-3	LEADSCREW - 230	1
5	42037-1	GUIDE - BACKGAUGE BRACKET	1
6	43005-1	NUT- LEADSCREW	1
7	43027-2	BRACKET- MOTOR MOUNT	1
8	43032	WAND- PRESET	1
9	43060	STRAP	2
10	43062	PULLEY- LEADSCREW	1
11	43063	PULLEY- TIMING	1
12	44006	BACKGAUGE CARRIER	1
13	44067	FRONT PILLOW BLOCK ASSEMBLY	1
14	44068	REAR PILLOW BLOCK ASSEMBLY	1
15	44069-1	GIB- BACKGAUGE BRACKET	1
16	47053	COUPLING	1
17	E-1152-12	STANDOFF	2
18	E-1237-6	WIRE NUT - RED	2
19	E-1600-166	MOTOR- 180VDC	1
20	E-2467	ENCODER	1
21	EE-1688-1	PCB ASM- PRESET	1
22	EE-2851-3	BUTTON ASM. - CUT	2
23	H-6423-4	NUT - 1/4-20 HEX KEP	2
24	H-6424-4	NUT - 1/4-20 HEX JAM	5
25	H-6428-6	NUT - 3/8-24 HEX JAM	2
26	H-6910-102403	SCREW - #10-24 X 3/8 BUTTON HEAD CAP	8
27	H-6910-406	SCREW - 1/4-20 X 3/4 BUTTON HEAD CAP	4
28	H-6913-608	SCREW - 3/8-16 X 1 HEX HEAD CAP	2
29	H-6918-406	SCREW - 1/4-20 X 3/4 SOCKET HEAD CAP	4
30	H-6918-410	SCREW - 1/4-20 X 1-1/4 SOCKET HEAD CAP	2
31	H-6918-605	SCREW - 3/8-16 X 5/8 SOCKET HEAD CAP	2
32	H-6918-606	SCREW - 3/8-16 X 3/4 SOCKET HEAD CAP	2
33	H-6918-622	SCREW - 3/8-16 X 2-3/4 SOCKET HEAD CAP	4
34	H-6940-424	SCREW - 1/4-20 X 1-1/2 FLAT SOC SET	2
35	H-6953-416	SCREW - 1/4-20 X 1 OVAL SOC SET	3
36	H-7321-4	WASHER - 1/4 SAE PLAIN	6
37	H-7321-6	WASHER - 3/8 SAE PLAIN	5
38	H-7324-8	WASHER - 1/4 INT TOOTH	8
39	H-21S-250-1000	ROLL PIN - 1/4 X 1	1
40	S-1295-3	THRUST WASHER	2
41	S-1300-2	THRUST BEARING	4
42	S-1694	TYRAP	1
43	S-1781-115	LABEL	2
44	S-1781-50	LABEL - ELECTRIC SHOCK	1
45	S-1944-1	SCREW- NYLON TIP	2

4.6 Main Assembly- Table Bottom

72000 sheet 5 (Serial Numbers 120277 and Above)



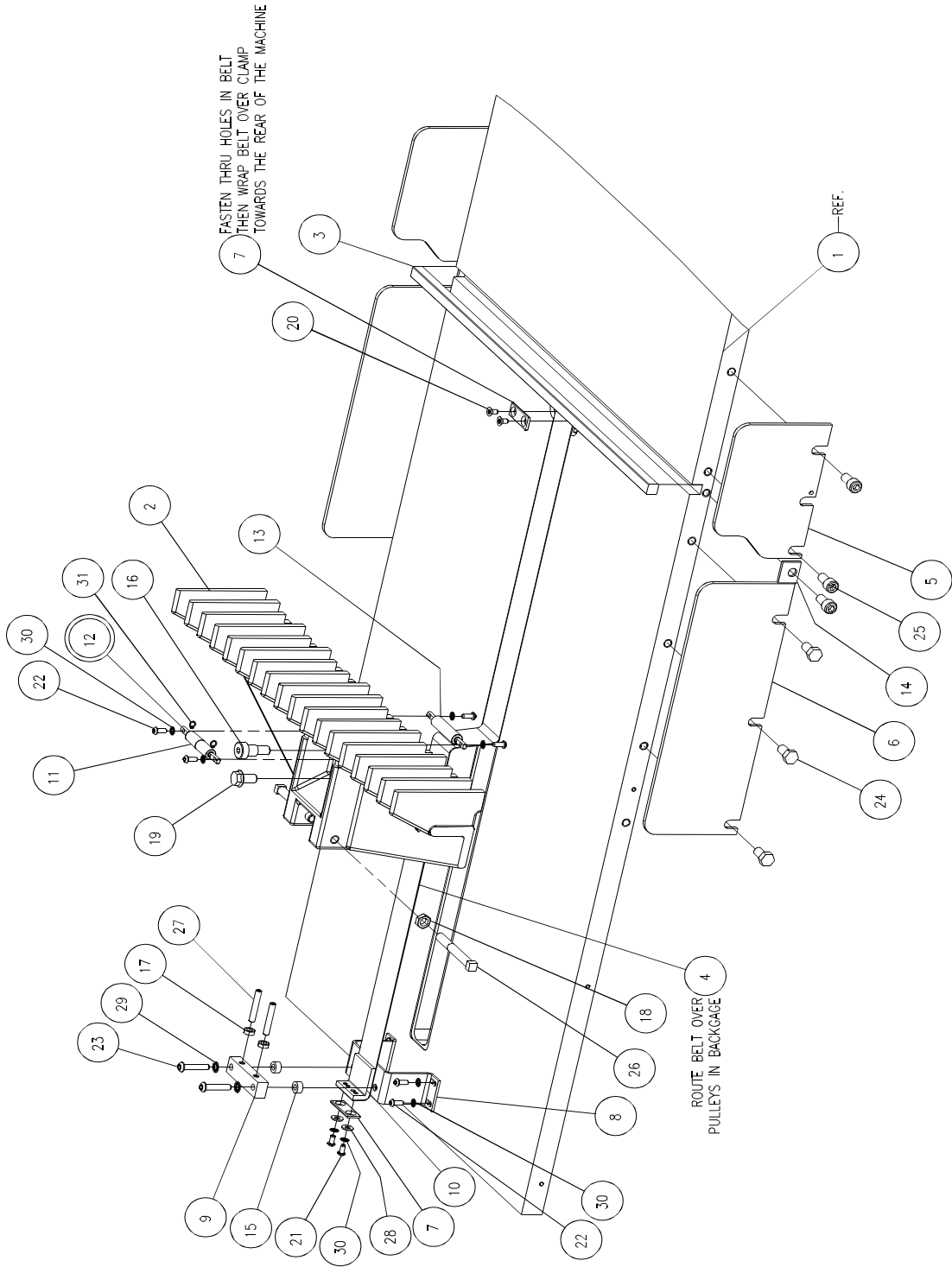
Main Assembly- Table Bottom Parts List

Serial Numbers 120277 and Above

NO.	PART NO.	DESCRIPTION	QTY
1	7954_REP001	TIMING BELT- 200XL037	1
2	10040-1	BRACKET- PRESET	1
3	42001	TABLE - TITAN 230	1
4	42019-3	LEADSCREW - 230	1
5	42037-1	GUIDE - BACKGAUGE BRACKET	1
6	43005-1	NUT- LEADSCREW	1
7	43027-2	BRACKET- MOTOR MOUNT	1
8	43029	PLATE- ENCODER MOUNT	1
9	43032	WAND- PRESET	1
10	43060	STRAP	2
11	43062	PULLEY- LEADSCREW	1
12	43063	PULLEY- TIMING	1
13	44006	BACKGAUGE CARRIER	1
14	44067	FRONT PILLOW BLOCK ASSEMBLY	1
15	44068	REAR PILLOW BLOCK ASSEMBLY	1
16	44069-1	GIB- BACKGAUGE BRACKET	1
17	47053	COUPLING	1
18	49249	BACKGAUGE CONTROL ASSEMBLY	1
19	E-1152-12	STANDOFF	2
20	E-1152-60	STANDOFF	2
21	E-1237-6	WIRE NUT - RED	2
22	E-1600-166	MOTOR- 180VDC	1
23	E-2467	ENCODER	1
24	EE-1688-1	PCB ASM- PRESET	1
25	EE-2851-3	BUTTON ASM. - CUT	2
26	H-6423-4	NUT - 1/4-20 HEX KEP	2
27	H-6424-4	NUT - 1/4-20 HEX JAM	5
28	H-6428-6	NUT - 3/8-24 HEX JAM	2
29	H-6910-102403	SCREW - #10-24 X 3/8 BUT HD	8
30	H-6910-406	SCREW - 1/4-20 X 3/4 BUT HD	4
31	H-6913-608	SCREW - 3/8-16 X 1 HEX HEAD CAP	2
32	H-6918-406	SCREW - 1/4-20 X 3/4 SOC HD	4
33	H-6918-410	SCREW - 1/4-20 X 1-1/4 SOC HD	2
34	H-6918-605	SCREW - 3/8-16 X 5/8 SOC HD	2
35	H-6918-606	SCREW - 3/8-16 X 3/4 SOC HD	2
36	H-6918-622	SCREW - 3/8-16 X 2-3/4 SOC HD	4
37	H-6918-83203	SCREW - #8-32 X 3/8 SOC HD	2
38	H-6940-424	SCREW - 1/4-20 X 1-1/2 FLAT SOC SET	2
39	H-6953-416	SCREW - 1/4-20 X 1 OVAL SOC SET	3
40	H-7321-4	WASHER - 1/4 SAE PLAIN	6
41	H-7321-6	WASHER - 3/8 SAE PLAIN	6
42	H-7321-#8	WASHER - #8 SAE PLAIN	2
43	H-7324-8	WASHER - 1/4 INT TOOTH	8
44	H-7324-#8	WASHER - #8 INT TOOTH	2
45	H-7327-12	WASHER - 3/8 MEDIUM LOCK	2
46	H-21S-250-1000	ROLL PIN - 1/4 X 1	1
47	S-1295-3	THRUST WASHER	2
48	S-1300-2	THRUST BEARING	4
49	S-1694	TYRAP	1
50	S-1781-115	LABEL	2
51	S-1781-50	LABEL - ELECTRIC SHOCK	1
52	S-1944-1	SCREW- NYLON TIP	2

4.7 Main Assembly- Table Top

72000 sheet 6

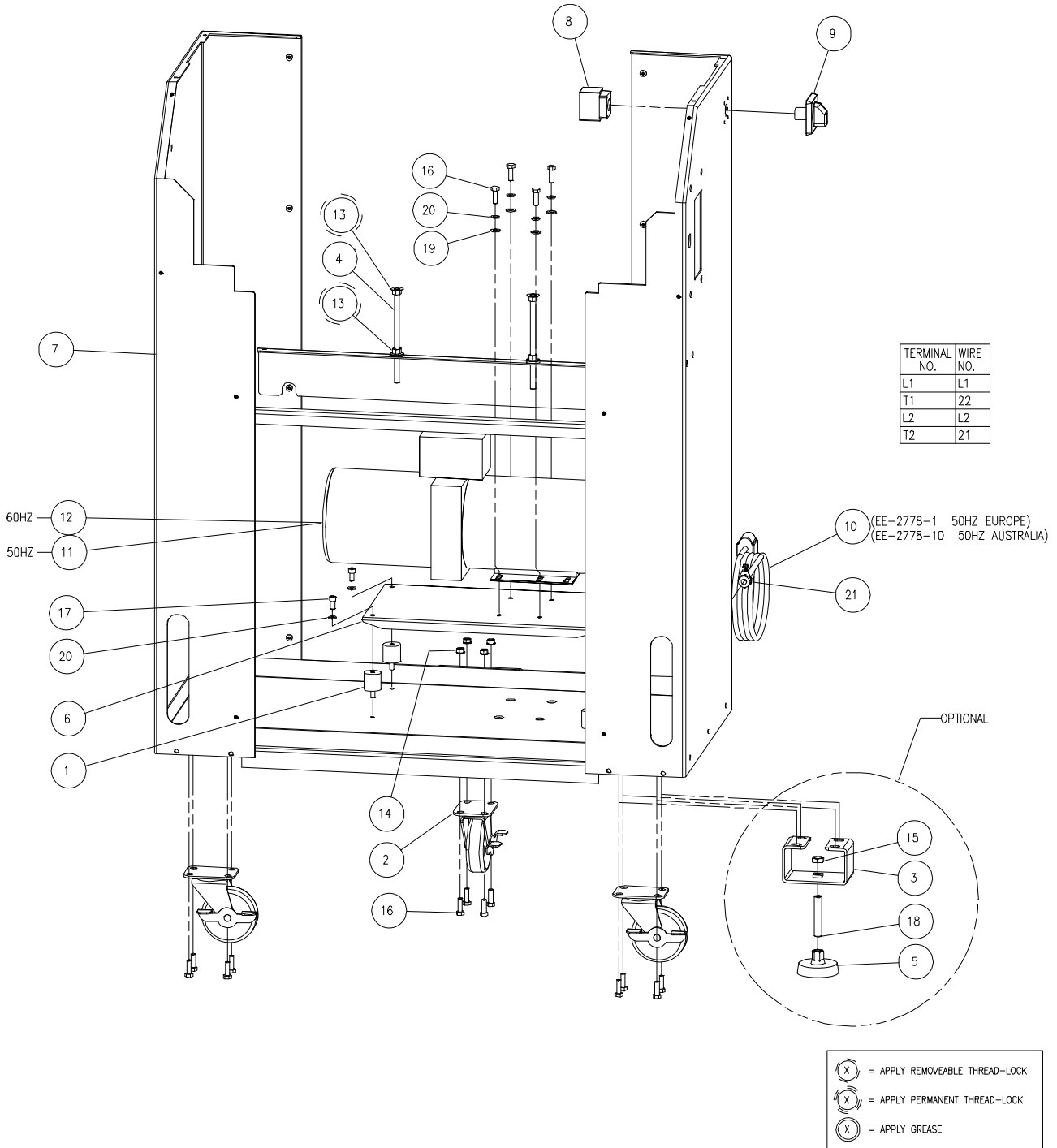


Main Assembly- Table Top Parts List

NO.	PART NO.	DESCRIPTION	QTY
1	42001	TABLE - TITAN 230	1
2	42006	BACKGAGE - TITAN 230	1
3	42008	CUT STICK - TITAN 230	1
4	42036	BELT - SLOT CLOSURE	1
5	43058	SIDE GUIDE - FRONT	2
6	43059-1	SIDE GUIDE - REAR	2
7	44153	BELT CLAMP	2
8	44155	BRACKET - BELT	1
9	44156	BELT ADJ. BLOCK	1
10	44157	BRACKET - BELT MOUNTING	1
11	47588	CROWNED PULLEY	1
12	47597	PIN- PULLEY	2
13	47601	STRAIGHT PULLEY	1
14	47630	CUT STICK STOP	2
15	E-1152-93	STANDOFF	2
16	H-5254-804	SCREW - 1/2 X 1/2 SHSS	1
17	H-6424-4	NUT - 1/4-20 HEX JAM	2
18	H-6424-6	NUT - 3/8-16 HEX JAM	2
19	H-6894-606	SCREW - 3/8-16 X 3/4 WHIZ LOCK	1
20	H-6909-102403	SCREW - #10-24 X 3/8" FLAT HEAD CAP	2
21	H-6910-102403	SCREW - #10-24 X 3/8 BUTTON HEAD CAP	2
22	H-6910-102404	SCREW - #10-24 X 1/2 BUTTON HEAD CAP	8
23	H-6910-410	SCREW - 1/4-20 X 1-1/4 BUTTON HEAD CAP	2
24	H-6913-606	SCREW - 3/8-16 X 3/4 HEX HEAD CAP	6
25	H-6918-606	SCREW - 3/8-16 X 3/4 SOCKET HEAD CAP	6
26	H-6931-624	SCREW - 3/8-16 X 3 SQUARE HEAD SET	2
27	H-6938-424	SCREW - 1/4-20 X 1-1/2 CUP SOC SET	2
28	H-7321-#10	WASHER - #10 SAE PLAIN	2
29	H-7324-8	WASHER - 1/4 INT TOOTH	2
30	H-7324-#10	WASHER - #10 INT TOOTH	10
31	S-1073-25	RETAINING RING	4

4.8 Main Assembly- Stand

72000 sheet 7

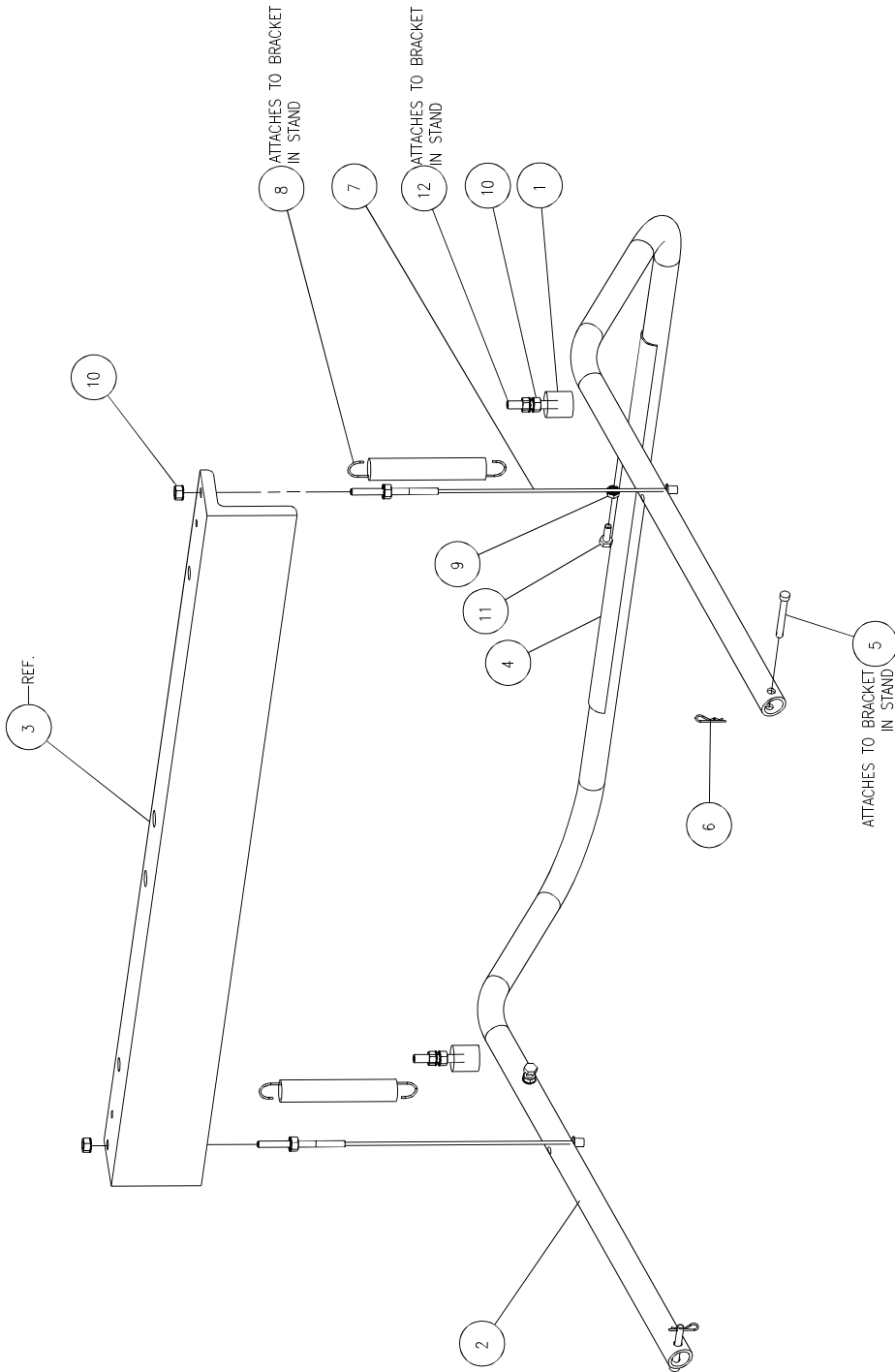


Main Assembly- Stand Parts List

NO.	PART NO.	DESCRIPTION	QTY
1	40016-8	MOUNT - VIBRATION	4
2	41014	SWIVEL CASTER WITH BRAKE	3
3	42057-1	FOOT BRACKET	OPT
4	44084	JACKSCREW - TABLE	2
5	51036	FOOT	OPT
6	71009	HYD. UNIT MOUNTING PLATE	1
7	72100	STAND WELDMENT - TITAN 230A	1
8	E-3082	SWITCH - MAIN DISCONNECT	1
9	E-3083	SWITCH FACE - MAIN DISCONNECT	1
10	EE-2778	POWER CORD - 230V 60HZ	1
11	H-477-11	HYDRAULIC POWER UNIT- 230V 50HZ	1
12	H-477-8	HYDRAULIC POWER UNIT- 208/230V 60HZ	1
13	H-6414-6	NUT - 3/8-16 WHIZ LOCK	4
14	H-6423-5	NUT - 5/16-18 HEX KEP	12
15	H-6424-8	NUT - 1/2-13 HEX JAM	OPT
16	H-6913-508	SCREW - 5/16-18 X 1 HEX HEAD CAP	16
17	H-6918-505	SCREW - 5/16-18 X 5/8 SOCKET HEAD CAP	4
18	H-6938-848	SCREW - 1/2-13 X 3 CUP SOC SET	OPT
19	H-7321-5	WASHER - 5/16 SAE PLAIN	4
20	H-7327-10	WASHER - 5/16 MEDIUM LOCK	8
21	S-1350-16	STRAIN RELIEF BUSHING	1
22	S-1694-1	TYRAP	2

4.9 Main Assembly- Foot Pedal

72000 sheet 8

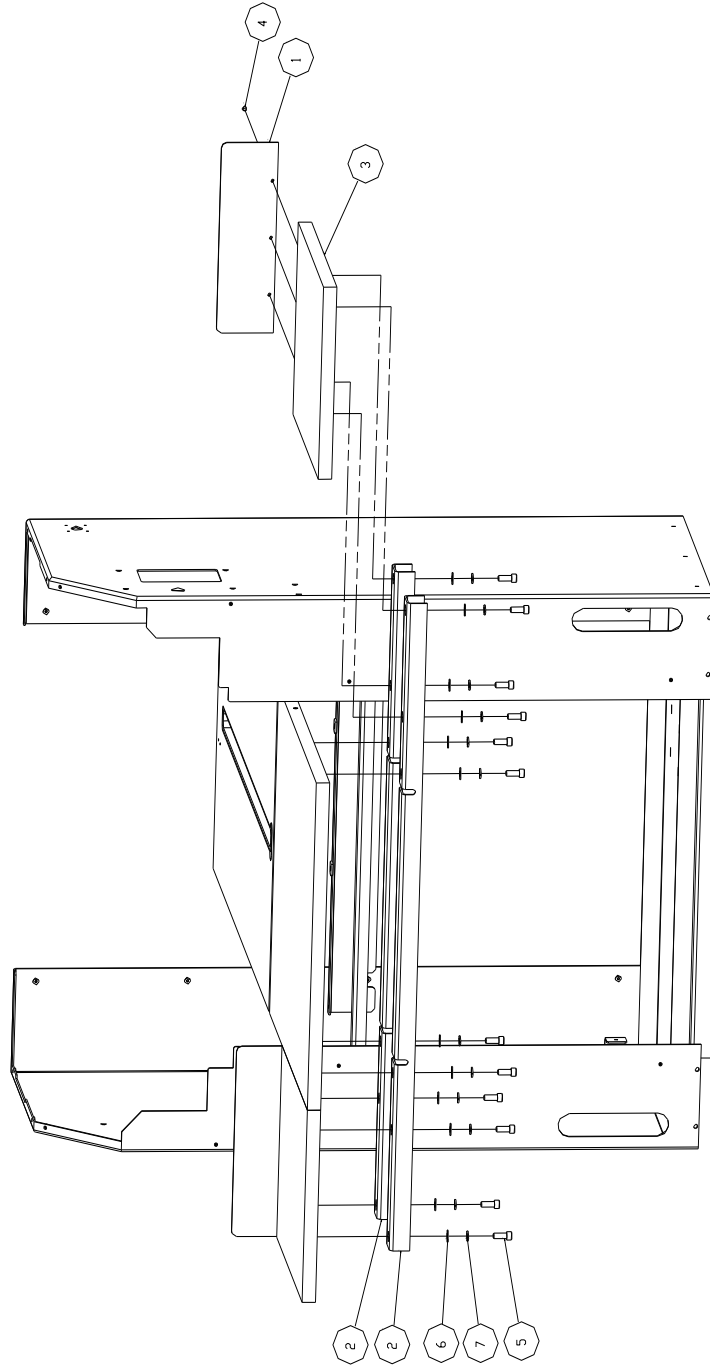


Main Assembly- Foot Pedal Parts List

NO.	PART NO.	DESCRIPTION	QTY
1	40016-3	MOUNT- VIBRATION	2
2	42009	PEDAL	1
3	42010	PULLDOWN - FOOT PEDAL	1
4	43021	TAPE, ANTI-SKID	1
5	43023	CLEVIS PIN	2
6	43024	HAIRPIN COTTER	2
7	43077	CABLE- FOOT PEDAL	2
8	47136-4	EXTENSION SPRING	2
9	H-6423-4	NUT - 1/4-20 HEX KEP	2
10	H-6423-5	NUT - 5/16-18 HEX KEP	8
11	H-6913-406	SCREW - 1/4-20 X 3/4 HEX HEAD CAP	2
12	H-6938-532	SCREW - 5/16-18 X 2 CUP SOC SET	2

4.10 Main Assembly- Side Tables

72000 sheet 9

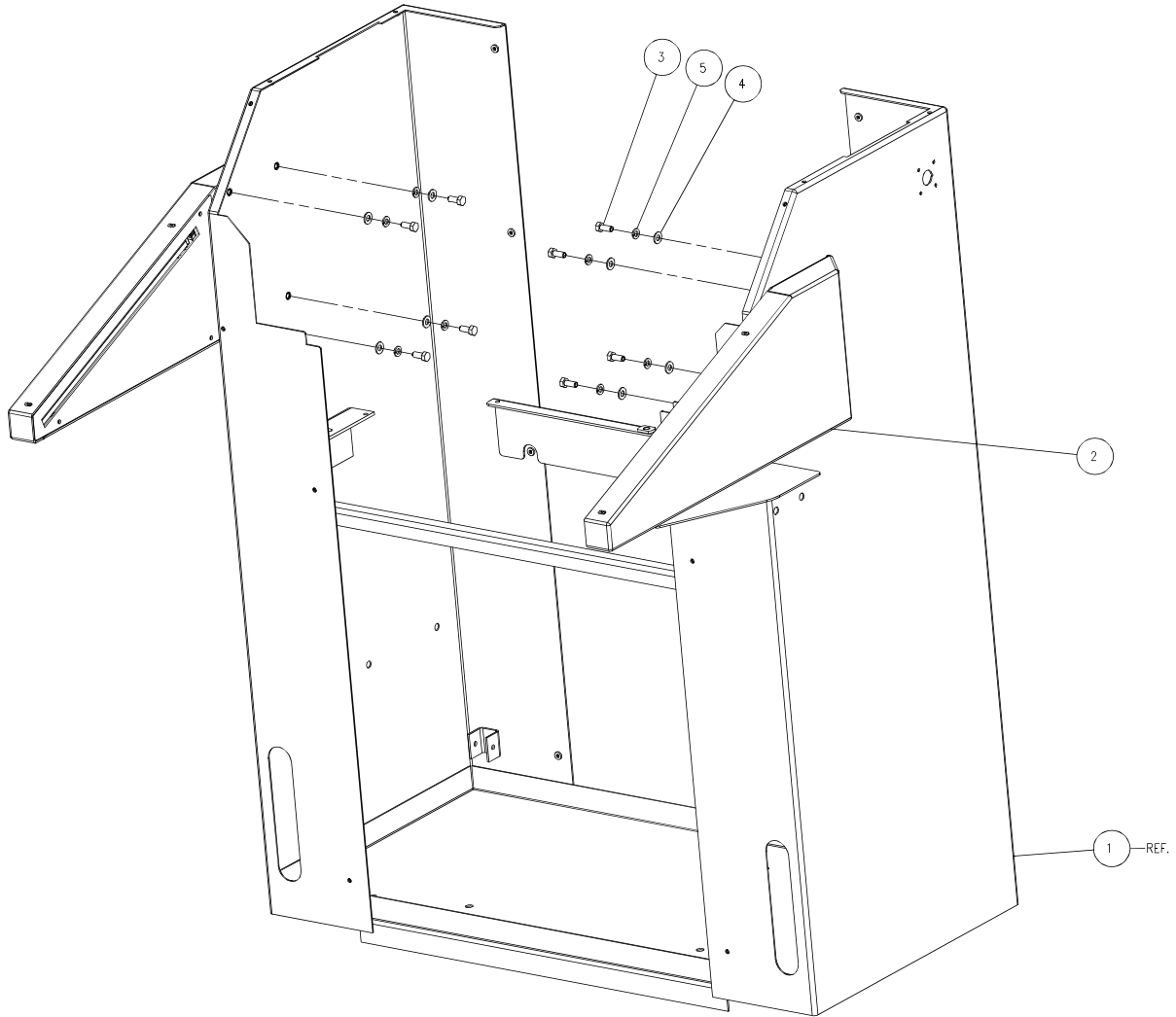


Main Assembly- Side Tables Parts List

NO.	PART NO.	DESCRIPTION	QTY
1	42026	BACK PLATE - TABLE EXTENSION	2
2	42028	SUPPORT - SIDE TABLES	2
3	44158	TABLE EXTENSION	2
4	H-6910-102404	SCREW - #10-24 X 1/2 BUTTON HEAD CAP	6
5	H-6918-608	SCREW - 3/8-16 X 1 SOCKET HEAD CAP	12
6	H-7321-6	WASHER - 3/8 SAE PLAIN	12
7	H-7327-12	WASHER - 3/8 MEDIUM LOCK	12

4.11 Main Assembly- Electric Eyes

72000 sheet 10

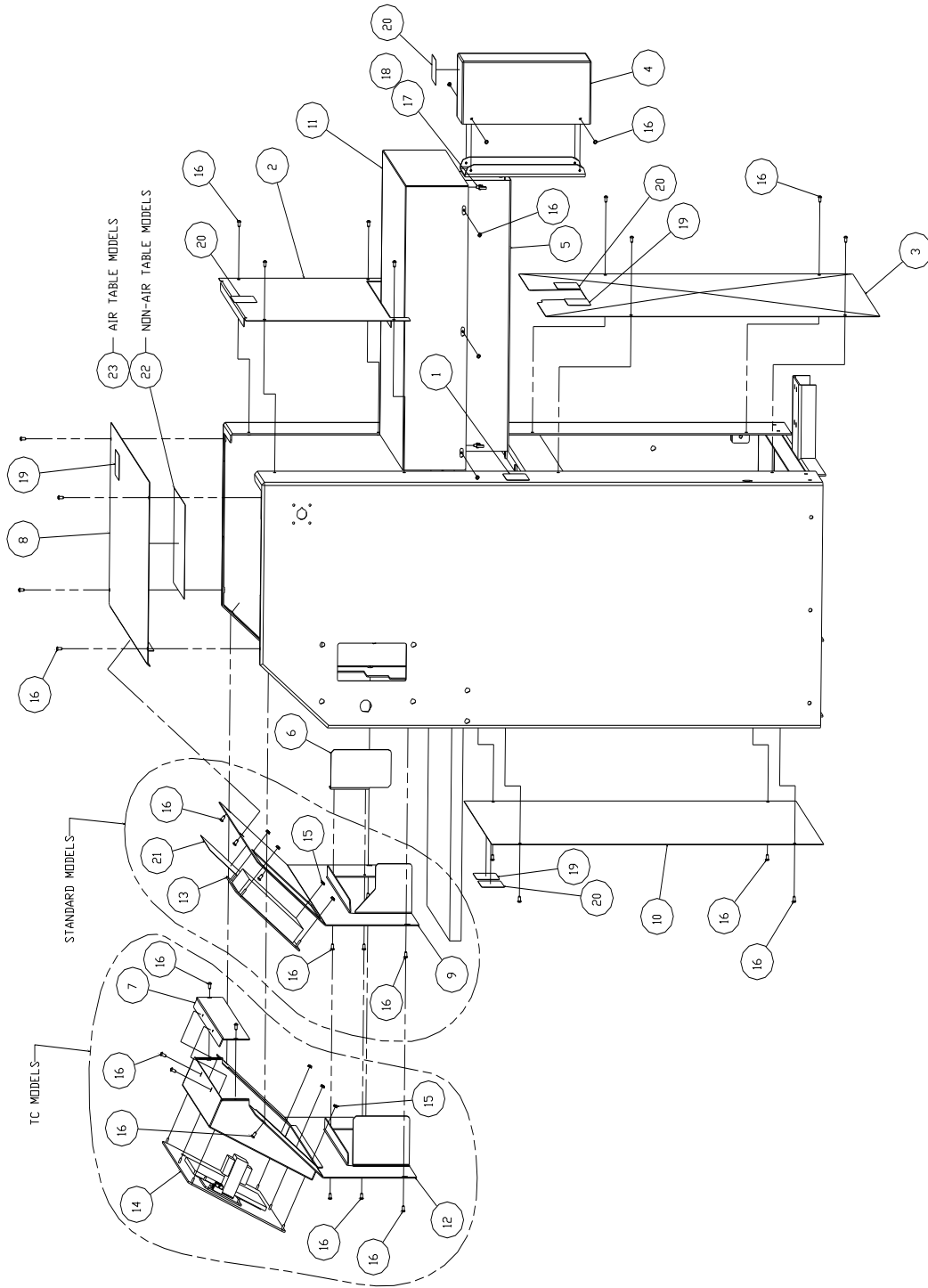


Main Assembly- Electric Eyes Parts List

NO.	PART NO.	DESCRIPTION	QTY
1	72100	STAND WELDMENT - TITAN 230	1
2	EE-3362	ELECTRIC EYE ASSEMBLY	1
3	H-6913-506	SCREW - 5/16-18 X 3/4 HEX HEAD CAP	8
4	H-7321-5	WASHER - 5/16 SAE PLAIN	8
5	H-7327-10	WASHER - 5/16 MEDIUM LOCK	8

4.12 Main Assembly- Covers

72000 sheet 11

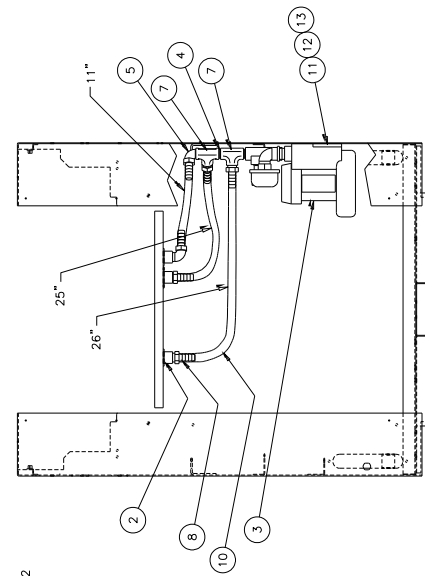


Main Assembly- Covers Parts List

NO.	PART NO.	DESCRIPTION	QTY
1	41130	LABEL - SERIAL NUMBER	1
2	42022-2	COVER- REAR STAND (TOP)	1
3	42025	COVER - TITAN 230 REAR BOTTOM	1
4	43028-1	COVER - BACKGAUGE DRIVE	1
5	44045	COVER- LEADSCREW	1
6	70030	KNIFE LATCH GUARD	1
7	71006	COVER - TC CONSOLE BACK	1
8	72001	TOP COVER	1
9	72002	BEVELED COVER	1
10	72003	LOWER FRONT COVER	1
11	72004	BACKGAUGE COVER - TITAN 230	1
12	72005	WELDMENT - 230 TC CONSOLE HOOD	1
13	EE-3035-2	PANEL - CONTROL CONSOLE	1
14	EE-3456-4	CONSOLE ASM - 230 TC	1
15	H-6423-N6	NUT - #6-32 HEX KEP	10
16	H-6910-102403	SCREW - #10-24 X 3/8 BUTTON HEAD CAP	45
17	H-6910-102404	SCREW - #10-24 X 1/2 BUTTON HEAD CAP	2
18	S-1694-2	TYRAP - #10	2
19	S-1781-11	LABEL- SHOCK HAZARD	3
20	S-1781-16	LABEL- CRUSH HAZARD	4
21	S-1781-169	LABEL- CONSOLE WARNING	1
22	S-1781-236	LABEL- INTERCONNECTION DIAGRAM	1

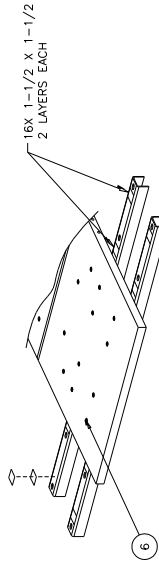
4.13 Main Assembly- Air Table

72000 sheet 12

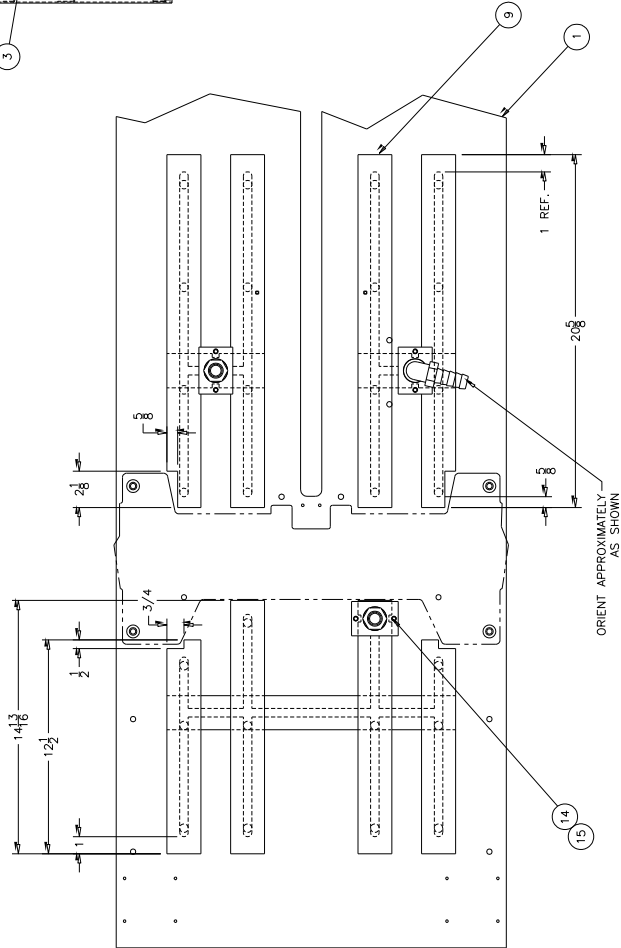


SCALE: 1/2

NO.	PART NO.	DESCRIPTION OF ACCESSORIES	QTY
1	42001-1	TITAN 230 AIR TABLE	1
2	42060	FLANGE- 3/4 NPT	3
3	44186	BLOWER ASSEMBLY	1
4	H-6405-1212	NIPPLE- 3/4 CLOSE	1
5	P-205-10	INSERT- 90° ELBOW- 3/4 NPT X 3/4 TUBE	2
6	P-207-2	AIR JET	28
7	P-463	TEE- 3/4 NPT (PVC)	2
8	P-210-11	INSERT- 3/4 NPT X 3/4 TUBE	4
9	S-2015-1	TAPE- ALUMINUM	333*
10	P-275	3/4 HOSE- REINFORCED PVC	6'
11	H-6910-610	SCREW- 3/8-16 X 1-1/4 BHC	2
12	H-7327-12	WASHER- 3/8 MED LOCK	2
13	H-6417-6	NUT- 3/8-16 HEX	2
14	H-6915-404	SCREW- 1/4-20 X 1/2 SHC	6
15	H-7327-8	WASHER- 1/4 MED LOCK	6

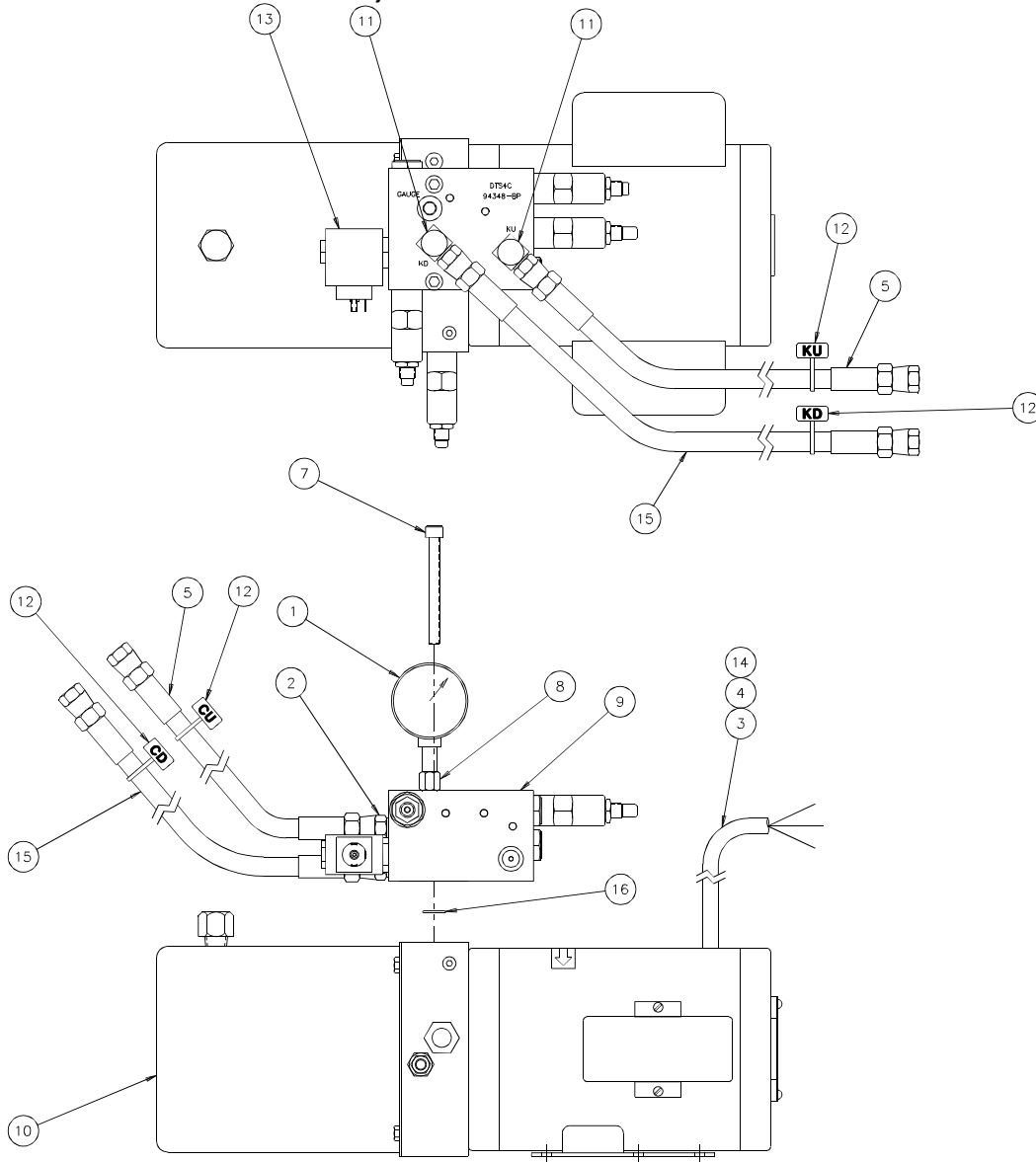


SCALE: 1/2



4.15 Hydraulic Power Unit – 60 Hz (s/n 130352 and below)

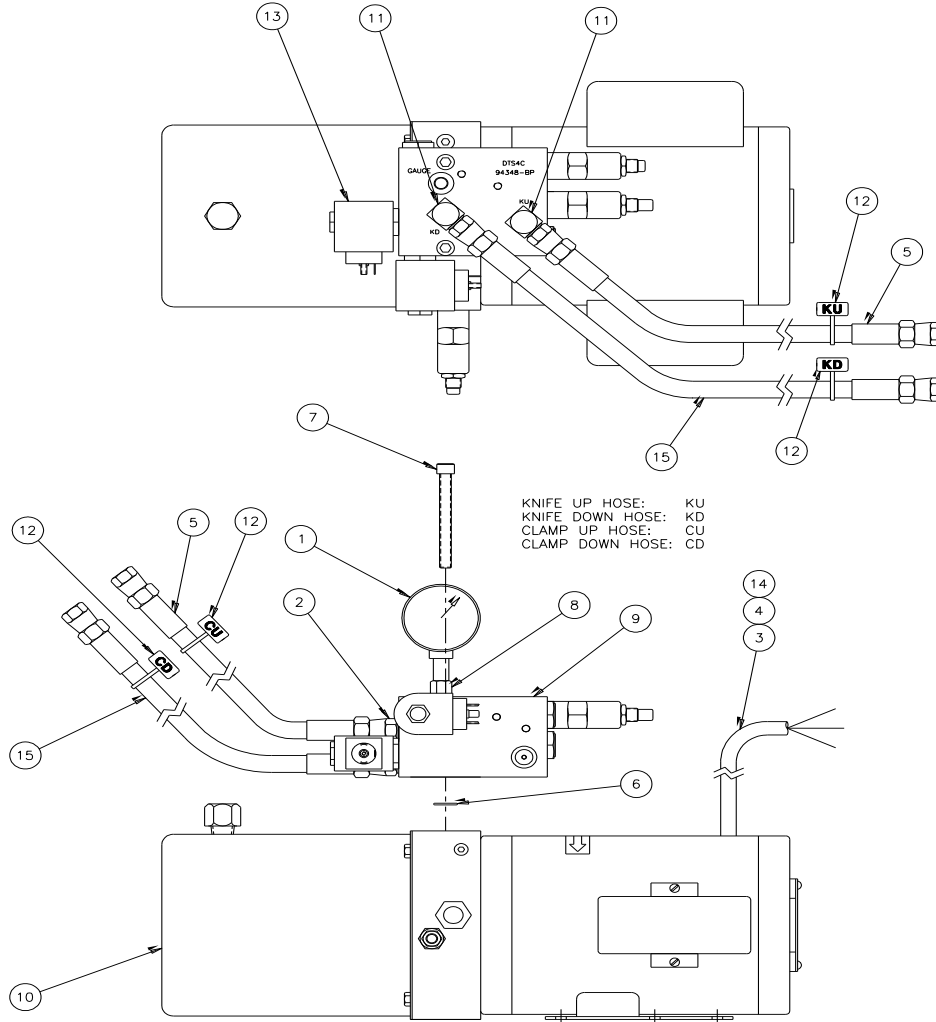
H477-6 Rev.A - Manual Pressure Adjustment Valve



NO.	PART NO.	DESCRIPTION OF ACCESSORIES	QTY
1	8P-629-3	GAUGE	1
2	H-236-3	ADAPTER, 9/16-18 "O" RING TO 9/16-18 TUBE	2
3	EE-2704-1	CORD ASSEMBLY - HYD. MOTOR	1
4	E-1237-1	WIRE NUT	2
5	H-242-41	HYDRAULIC HOSE ASM., 25" LONG (KU & CU)	2
6			
7	H-6918-628	3/8-16 X 3-1/2 SOCKET HD CAP SCREW	2
8	H-233	ADAPTER	1
9	HH-476-1	MANIFOLD ASSEMBLY	1
10	H-220-8	HYDRAULIC POWER UNIT (60 HZ)	1
11	H-230-3	ELBOW - 9/16-18 "O" RING TO 9/16-18 TUBE	2
12	S-1694-5	TYRAP - IDENTIFICATION	4
13	E-1069-17	COIL - 24V	1
14	E-1736-2	QUENCH ARC	1
15	H-242-53	HYDRAULIC HOSE ASSEMBLY, 35" LONG (KD & CD)	2
16	S-1810-10	O-RING	2

4.16 Hydraulic Power Unit – 60 Hz (s/n 130353 and above)

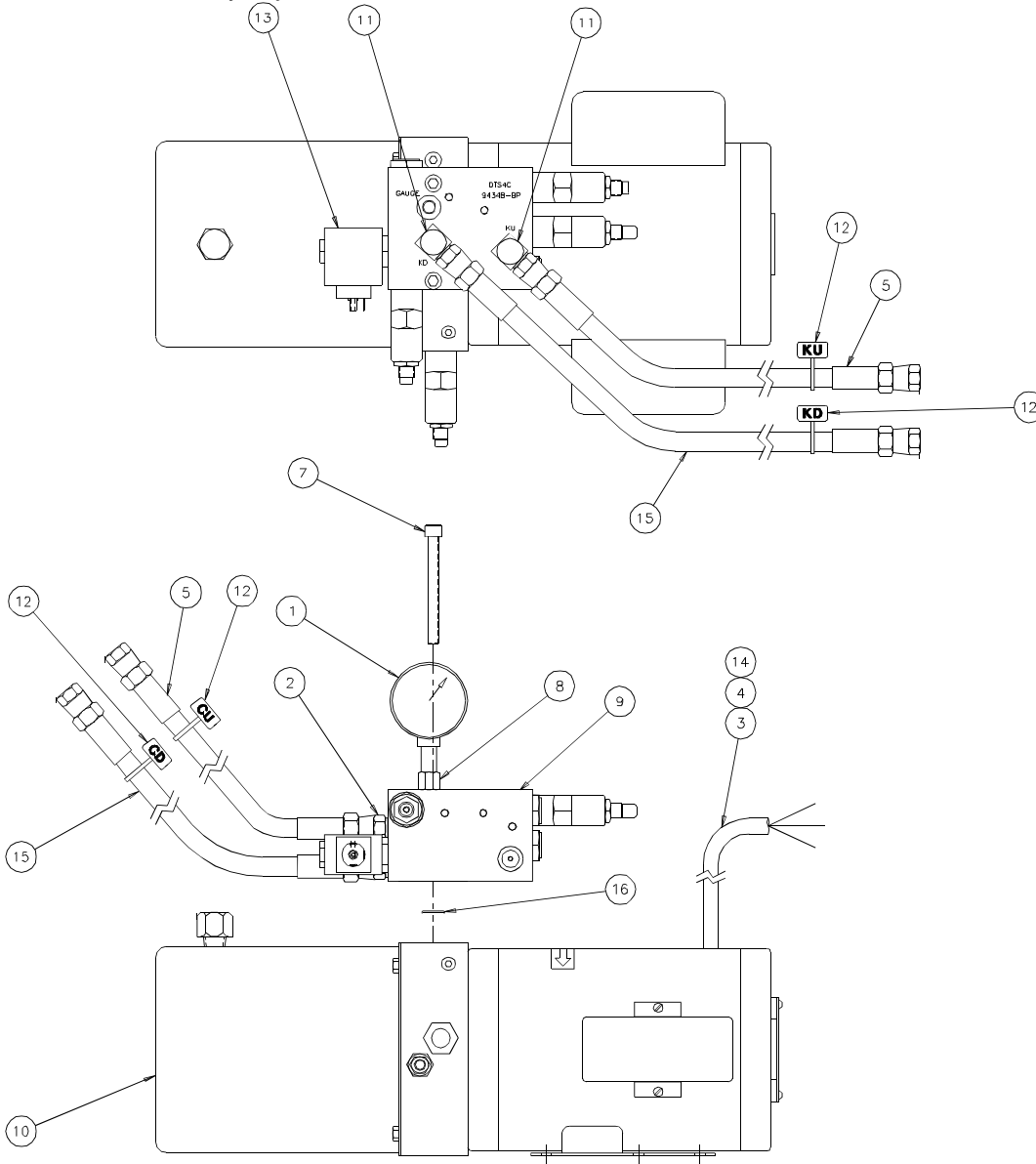
H-477-8 Rev.A - Electrically Adjusted Pressure Valve



NO.	PART NO.	DESCRIPTION OF ACCESSORIES	QTY
1	8P-629-3	GAUGE	1
2	H-236-3	ADAPTER, 9/16-18 "O" RING TO 9/16-18 TUBE	2
3	EE-2704-1	CORD ASSEMBLY - HYD. MOTOR	1
4	E-1237-1	WIRE NUT	2
5	H-242-41	HYDRAULIC HOSE ASM., 25" LONG (KU & CU)	2
6	S-1810-10	O-RING	2
7	H-6918-628	3/8-16 X 3-1/2 SOCKET HD CAP SCREW	2
8	H-233	ADAPTER	1
9	HH-476-2	MANIFOLD ASSEMBLY W/ELEC. PRES. ADJUST.	1
10	H-220-8	HYDRAULIC POWER UNIT (60 HZ)	1
11	H-230-3	ELBOW - 9/16-18 "O" RING TO 9/16-18 TUBE	2
12	S-1694-5	TYRAP - IDENTIFICATION	4
13	E-1069-17	COIL - 24V	1
14	E-1736-2	QUENCH ARC	1
15	H-242-53	HYDRAULIC HOSE ASSEMBLY, 35" LONG (KD & CD)	2

4.17 Hydraulic Power Unit – 50 Hz (s/n 130352 and below)

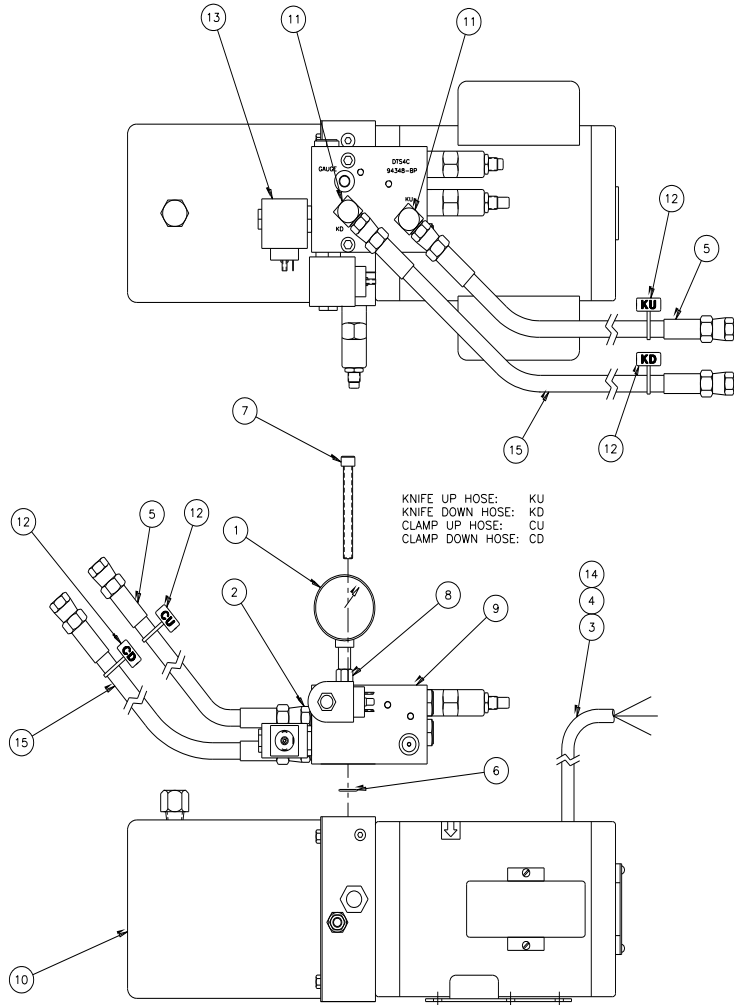
H-477-7 Rev.A - Manually adjusted Pressure Valve



NO.	PART NO.	DESCRIPTION OF ACCESSORIES	QTY
1	BP-629-3	GAUGE	1
2	H-236-3	ADAPTER, 9/16-18 "O" RING TO 9/16-18 TUBE	2
3	EE-2704-1	CORD ASSEMBLY - HYD. MOTOR	1
4	E-1237-1	WIRE NUT	2
5	H-242-41	HYDRAULIC HOSE ASM., 25" LONG (KU & CU)	2
6			
7	H-6918-62B	3/8-16 X 3-1/2 SOCKET HD CAP SCREW	2
8	H-233	ADAPTER	1
9	HH-476-1	MANIFOLD ASSEMBLY	1
10	H-220-9	HYDRAULIC POWER UNIT (50HZ)	1
11	H-230-3	ELBOW - 9/16-18 "O" RING TO 9/16-18 TUBE	2
12	S-1694-5	TYRAP - IDENTIFICATION	4
13	E-1069-17	COIL - 24V	1
14	E-1736-2	QUENCH ARC	1
15	H-242-53	HYDRAULIC HOSE ASSEMBLY, 35" LONG (KD & CD)	2
16	S-1810-10	O-RING	2

4.18 Hydraulic Power Unit – 50 Hz (s/n 130353 and above)

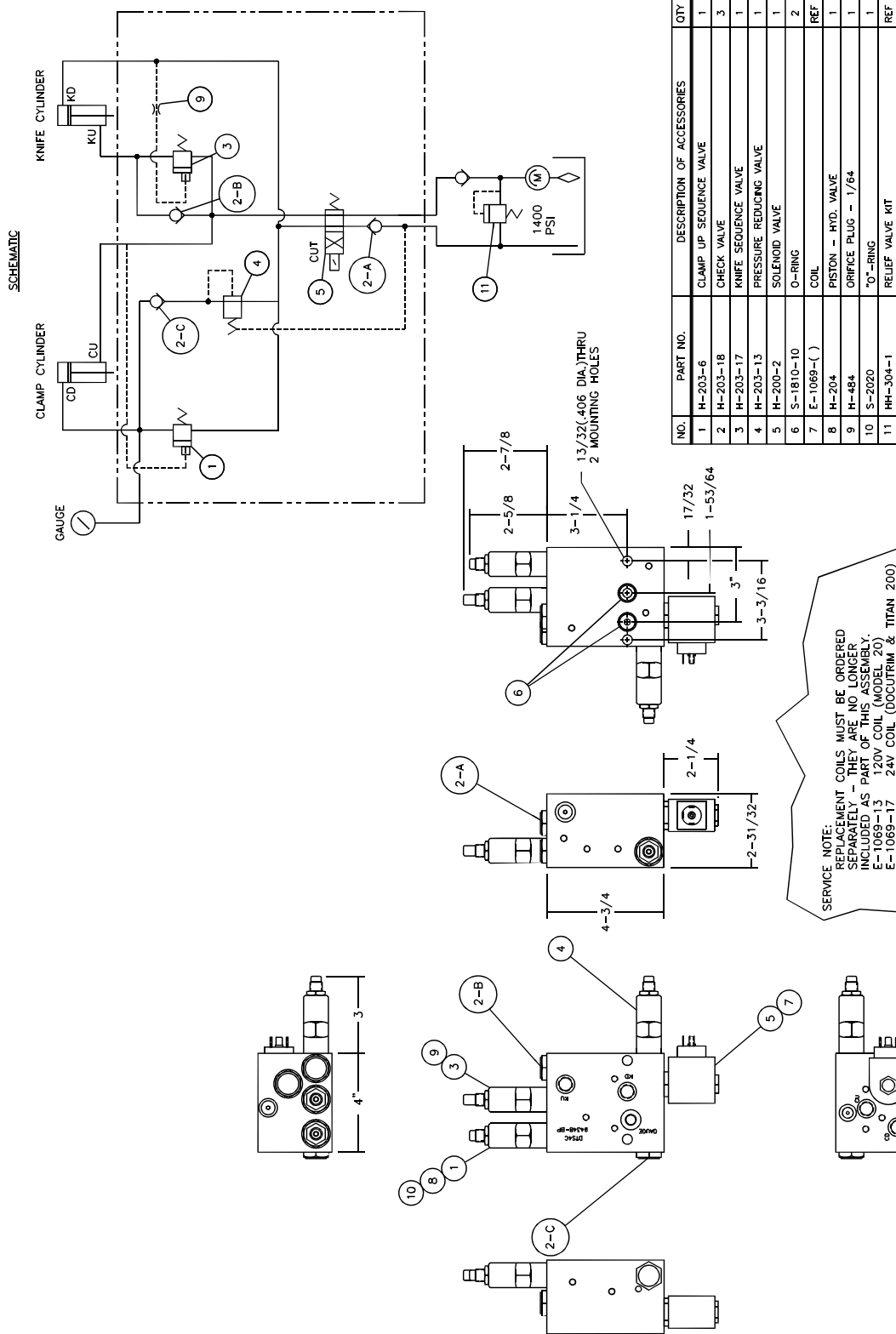
H-477-11 Rev.A - Electronically adjusted Pressure Valve



NO.	PART NO.	DESCRIPTION OF ACCESSORIES	QTY
1	BP-629-3	GAUGE	1
2	H-236-3	ADAPTER, 9/16-18 "O" RING TO 9/16-18 TUBE	2
3	EE-2704-1	CORD ASSEMBLY - HYD. MOTOR	1
4	E-1237-1	WIRE NUT	2
5	H-242-41	HYDRAULIC HOSE ASM., 25" LONG (KU & CU)	2
6	S-1810-10	O-RING	2
7	H-6918-628	3/8-16 X 3-1/2 SOCKET HD CAP SCREW	2
8	H-233	ADAPTER	1
9	HH-476-2	MANIFOLD ASSEMBLY W/ELEC. PRES. ADJUST.	1
10	H-220-9	HYDRAULIC POWER UNIT (50 HZ)	1
11	H-230-3	ELBOW - 9/16-18 "O" RING TO 9/16-18 TUBE	2
12	S-1694-5	TYRAP - IDENTIFICATION	4
13	E-1069-17	COIL - 24V	1
14	E-1736-2	QUENCH ARC	1
15	H-242-53	HYDRAULIC HOSE ASSEMBLY, 35" LONG (KD & CD)	2

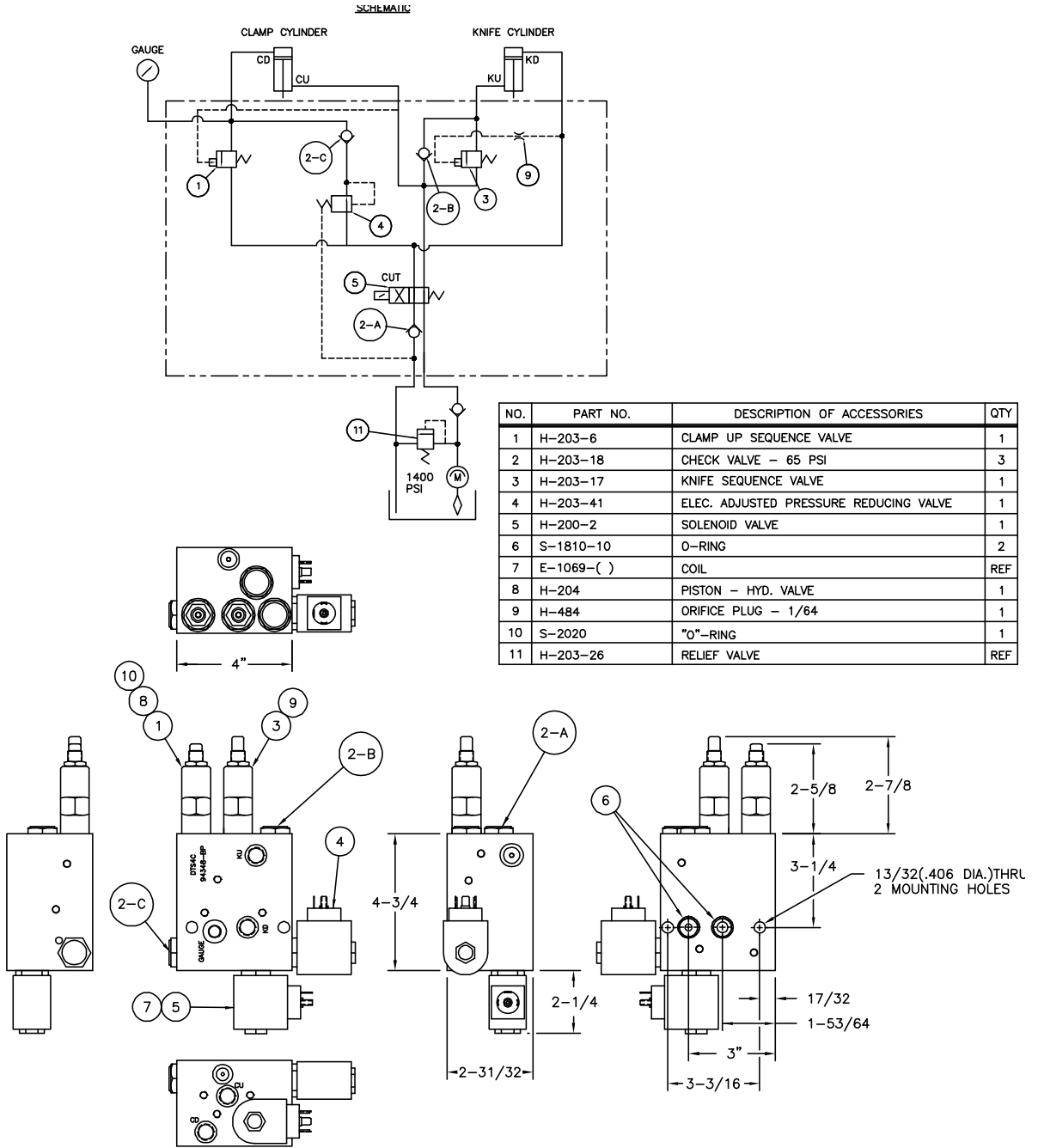
4.19 Hyd. Manifold Asm. & Schematic (s/n 130352 and below)

HH-476-1 Rev.A - Manually adjusted Pressure Valve



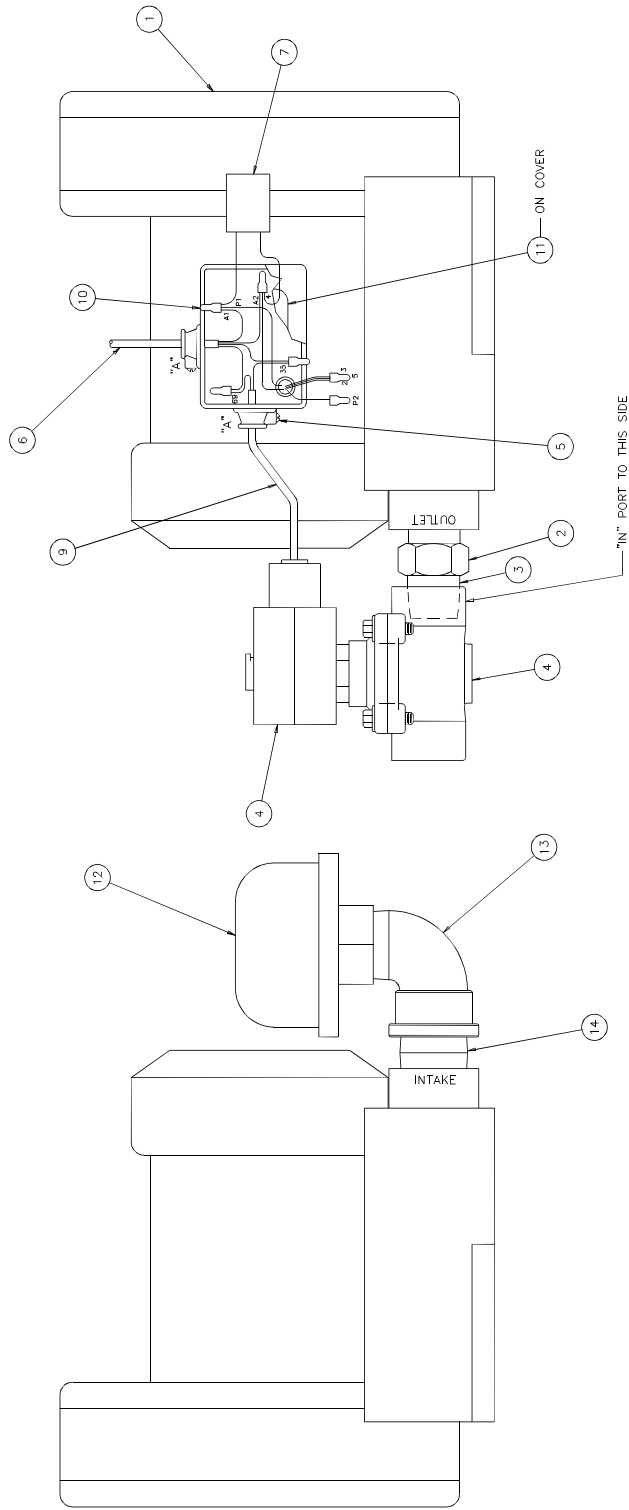
4.20 Hyd. Manifold Asm. & Schematic (s/n 130353 & Above)

HH-476-2 Rev.A - Electronically adjusted Pressure Valve



4.21 Blower Assembly – Air Table Option

44186 Rev. B



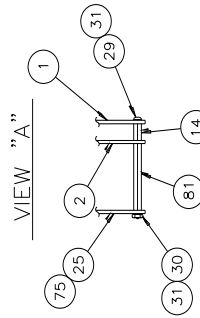
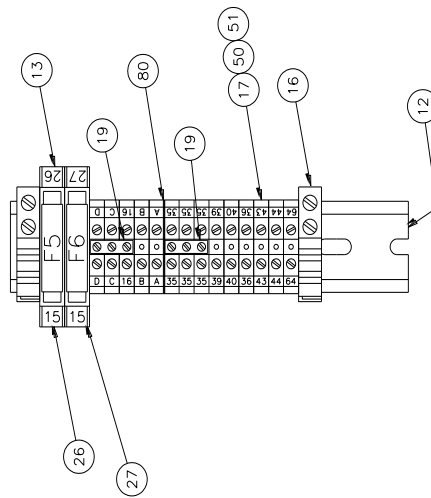
Blower Assembly- Air Table Option (parts list)

NO.	PART NO.	DESCRIPTION OF ACCESSORIES	QTY
1	E-1223-4	BLOWER - 1PH	1
2	P-204	REDUCER - PVC	1
3	H-6405-1212	NIPPLE - STEEL	1
4	P-202-1	VALVE - SOLENOID	1
5	S-1350-16	STRAIN RELIEF	2
6	E-748	CABLE - #18 GA. 4 COND. 88" LONG	1
7	E-1736-2	QUENCHARC - 3" WIRE LEADS	1
8	E-1214-4	CONNECTOR - #8 INS. LOCKING FORK	1
9	E-1453-1	SHRINK TUBING - 6" LONG	1
10	E-1237-1	NUT - WIRE, SM YELLOW	6
11	S-1781-12	LABEL - EURO SHOCK W/TEXT	1
12	P-102	STRAINER	1
13	P-214	ELBOW - 90° STREET NPT, NYLON	1
14	P-212-1	PIPE NIPPLE - 1" x 1-1/2 PLASTIC	1
15	E-1214-49	CONNECTOR - 1/4" FULLY INS. QUICK DISC.	2

WIRING CHART		
HIGH VOLTAGE	WIRE NO.	CONNECT TO BLOWER NO.
230V 60Hz 240V 50Hz	A1	P1
	A2	4
	-	P2
	-	2,3 & 5

EE-2765-3 Power Panel Assembly (CONT.)

TRANSFORMER COLOR CODE	
T1	10
WIRE COLOR	WIRE NO.
BLACK	27
BLACK/YELLOW	16A
BLACK/RED	16C
WHITE	35
YELLOW	34
RED	33
GREEN	-
T2	10
WIRE COLOR	WIRE NO.
BLACK	26
BLACK/YELLOW	16B
BLACK/RED	16D
BLUE	9
BLUE/YELLOW	10
BLUE	11
RED	8
RED/YELLOW	7
RED	6



NOTE: FOR ADJUSTABLE PRESSURE OPTION SEE K-2852-2

4.0 Schematics & Parts Lists

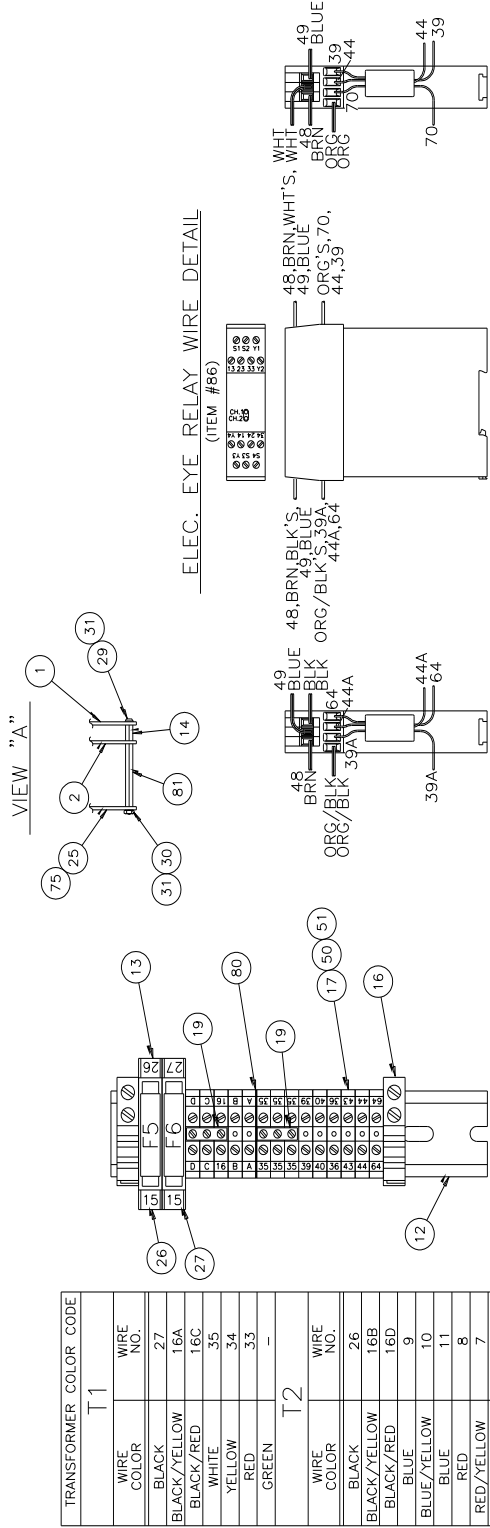
EE-2765-3 Power Panel Assembly – Parts (CONT.)

NO.	PART NO.	DESCRIPTION OF ACCESSORIES	QTY
1	43006-1	PANEL - ELECTRICAL	1
2	EE-2807-2	P.C.B. ASSEMBLY - CONTROLLER	1
3	E-2805	STARTER - CONTACTOR	1
4	E-1429-14	WIRE DUCT - 13-1/2" LONG	1
5	E-2719-14	COVER - WIRE DUCT, 13-1/2" LONG	1
6	S-1694	CABLE TIE	7
7	E-2730-3	FILTER - EMI, PANEL MOUNT	1
8	EE-2770-1	PROXIMITY ASSEMBLY - HYDRUALIC UP	1
9	E-2742-6	TRANSFORMER - 120/208/230V, 12/24V SEC.	1
10	E-2742-5	TRANSFORMER - 120/230V PRIM., 16/24V SEC.	1
11	S-1350-16	STRAIN RELIEF - CABLE	9
12	E-1977-18	RAIL - TERMINAL BLOCK, 6-1/2 LONG	1
13	E-1974-9	FUSE BLOCK - TERMINAL MOUNT, GLASS FUSE	2
14	E-1152-56	STAND-OFF - 1/2" LONG, #6-32 THR'D	6
15	E-1974-10	FUSE HOLDER - RAIL MOUNT, MIDGET	2
16	E-2070-1	END BRACKET - TERMINAL BLOCK	4
17	E-2068-8	TERMINAL BLOCK - THROUGH, #10 GA.	14
18	E-2756-6	FILTER - FERRITE CORE	3
19	E-2507-3	FIXED BRIDGE - TERMINAL BLOCK - 3 POLE	2
20	E-1584-51	LABEL - TRANSFORMER, "T1"	1
21	E-1584-52	LABEL - TRANSFORMER, "T2"	1
22	E-2066-5	CONNECTOR - PLUG IN PCB TERM. 5 POLE	1
23	E-2066-10	CONNECTOR - PLUG IN PCB TERMINAL BLOCK	2
24	E-2066-4	CONNECTOR - PLUG IN PCB TERMINAL BLOCK	1
25	47157-7	P.C.B. COVER - CLEAR	1
26	E-889-12	FUSE - GLASS, 1/2A T "F5"	1
27	E-889	FUSE - GLASS, 1-1/4A T "F6"	1
28	E-1584-()	LABEL - PART NUMBER/ REVISION LEVEL	1
29	H-6910-63203	SCREW - #6-32 X 3/8" BUT HD	8
30	H-6423-#6	NUT - #6-32 HEX	6
31	H-7324-#6	WASHER - #6 INT. TOOTHLOCK	14
32	H-6910-83204	SCREW - #8-32 X 1/2" BUT	14
33	H-7324-#8	WASHER - #8 INT. TOOTHLOCK	14
34	H-6910-102403	SCREW - #10-24 X 3/8" BUT HD	4
35	H-7324-#10	WASHER - #10 INT. TOOTHLOCK	4
36	E-702-B	WIRE - #14 GA. BLACK MTW 12" LONG	2
37	EE-2774	CABLE ASSEMBLY - CUT SWITCH "B"	1
38	E-1214-63	CONNECTOR-1/4" NON-INS RING	REF
39	EE-3106	CABLE ASSEMBLY - BACKGAGE MOTOR	1
40	EE-2769-15	CABLE ASSEMBLY - CUT SOLENOID	1
41	EE-3105	CABLE ASSEMBLY - ENCODER	1
42	EE-2770-3	PROXIMITY SWITCH ASSEMBLY - KNIFE DOWN	1
43	EE-2770	PROXIMITY SWITCH ASSEMBLY - KNIFE LATCH	1

EE-2765-3 Power Panel Assembly – Parts (CONT.)

NO.	PART NO.	DESCRIPTION OF ACCESSORIES	QTY
44	EE-2770-4	PROXIMITY SWITCH ASSEMBLY - KNIFE UP	1
45	EE-2770-2	PROXIMITY SWITCH ASSEMBLY - CLAMP UP	1
46	EE-2775	CABLE ASSEMBLY - KNIFE LATCH	1
47	E-2066-12	CONNECTOR - PLUG-IN PCB TERM. BLOCK	1
48	EE-1688-1	CABLE ASSEMBLY - PRESET	1
49	E-709-R	WIRE - #18GA. RED MTW 30" LONG, WIRE #35	1
50	E-1356-()	LABEL - TERMINAL BLOCK	1
51	E-1356-()	LABEL - TERMINAL BLOCK	1
52	E-709-R	WIRE - #18GA. RED MTW 36" LONG, WIRE #36	2
53	E-2756-3	FILTER - FERRITE CORE	4
54	E-1977-3	RAIL - TERMINAL BLOCK, 3" LONG	1
55	E-849-R	WIRE - #16 GA. RED MTW AS NEEDED	1
56	E-709-R	WIRE - #18 GA. RED MTW AS NEEDED	1
57	E-1214-9	CONNECTOR - #8 INS. RING	2
58	E-1214-54	CONNECTOR - 1/4" FULLY INS. MALE Q.D.	2
59	E-1214-49	CONNECTOR - 1/4" FULLY INS. FEMALE Q.D.	4
60	E-1214-36	CONNECTOR - #6 INS. RING	1
61	E-1736-2	QUENCHARC (QA2)	1
62	EE-2774-1	CABLE ASSEMBLY - CUT SWITCH "A"	1
63	E-1736-4	QUENCHARC - RELAY MOUNT	1
64	S-1781-42	LABEL - GROUND SYMBOL, SECONDARY	1
65	S-1781-197	LABEL - GROUND SYMBOL, PRIMARY	1
66	EE-2851-3	CUT SWITCH ASSEMBLY	2
67	E-2066-8	CONNECTOR - PLUG IN PCB TERMINAL BLOCK	1
68	E-1429-15	WIRE DUCT - 10-3/4" LONG	1
69	E-2719-15	COVER - WIRE DUCT, 10-3/4" LONG	1
70	E-702-R	WIRE - #14 GA. RED MTW AS NEEDED	1
71	E-2376-4	CONTACTOR - AUX. (1) N.O. (1) N.C.)	1
72	E-2330-3	FUSE - 2A SB, GLASS METRIC (PCF1 & 4)	2
73	E-2330-5	FUSE - 3.15A SLO-BLO, GLASS METRIC (PCF2)	1
74	E-2330-7	FUSE - 5A SLO-BLO, GLASS METRIC (PCF3)	1
75	S-1781-35	LABEL - CAUTION, ELECTRICAL SHOCK	1
76	E-1453-6	SHRINK TUBING - 1/8" DIA., 1" LONG	2
77	H-6910-404	SCREW - 1/4-20 X 1/2 BUT HD CAP	2
78	H-7324-8	WASHER - 1/4" INT. TOOTHLOCK	2
79	E-1599-11	IC - 32 PIN PACKAGE (BLANK)	1
80	E-2864	SEPARATOR PLATE - TERMINAL BLOCK	1
81	E-1152-43	STAND-OFF - 2" LONG HEX	2
82	EE-3142-1	KIT - ELECTRIC SAFETY EYES (16")	1
83	E-2066-2	HEADER - 2 POS (PHEONIX)	1
84	E-709-R	WIRE - #18 GA. RED MTW 30" LONG (#35)	1
85	E-709-R	WIRE - #18 GA. RED MTW 30" LONG (#36)	1

EE-2765-4 Power Panel Assembly (CONT.)



4.0 Schematics & Parts Lists

EE-2765-4 Power Panel Assembly – Parts (CONT.)

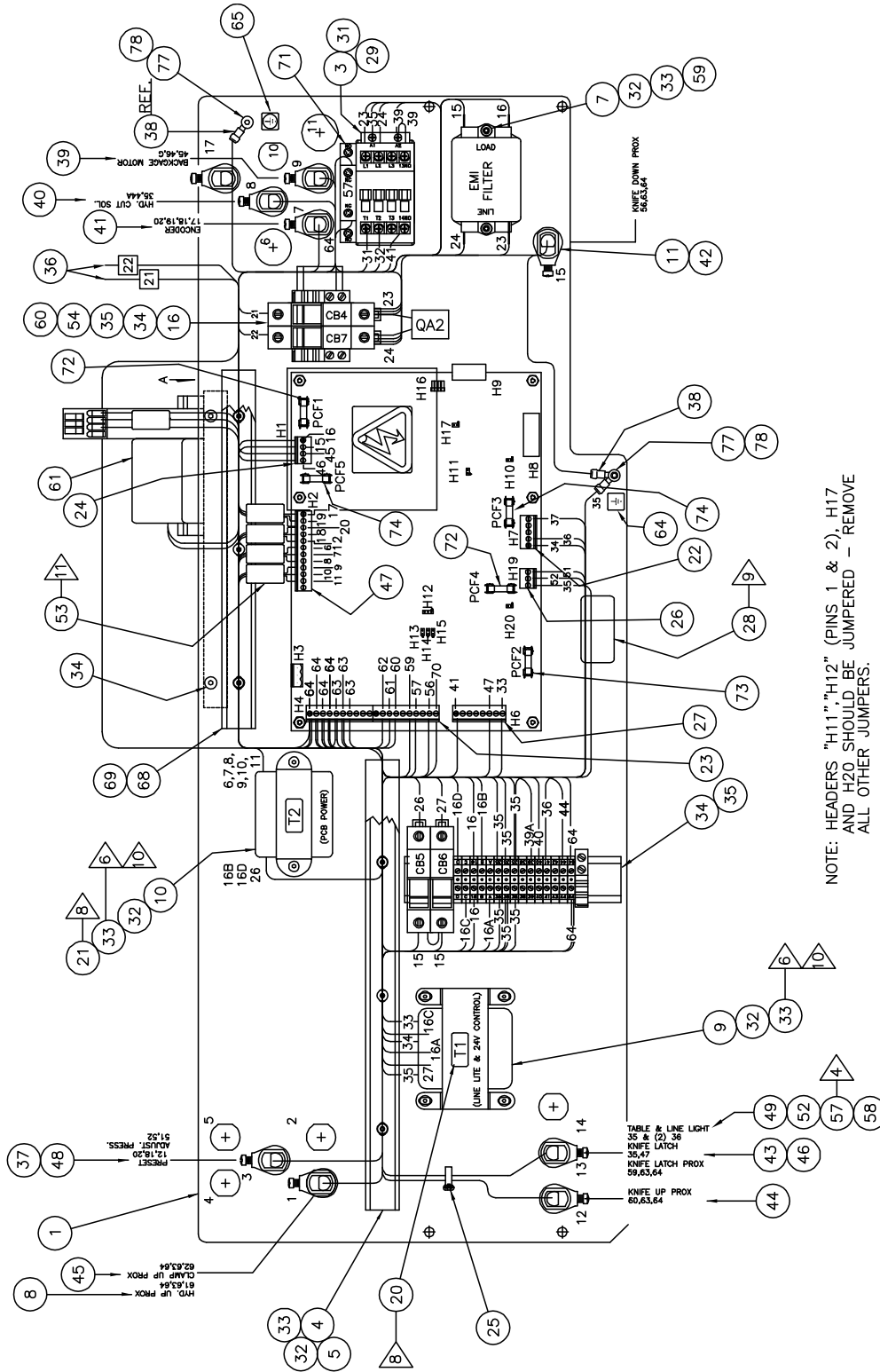
NO.	PART NO.	DESCRIPTION OF ACCESSORIES	QTY
1	43006-2	PANEL - ELECTRICAL	1
2	EE-2807-2	P.C.B. ASSEMBLY - CONTROLLER	1
3	E-2805-6	STARTER - CONTACTOR	1
4	E-1429-14	WIRE DUCT - 13-1/2" LONG	1
5	E-2719-14	COVER - WIRE DUCT, 13-1/2" LONG	1
6	S-1694	CABLE TIE	7
7	E-2730-3	FILTER - EMI, PANEL MOUNT	1
8	EE-2770-1	PROXIMITY ASSEMBLY - HYDRUALIC UP	1
9	E-2742-6	TRANSFORMER - 120/208/230V, 12/24V SEC.	1
10	E-2742-5	TRANSFORMER - 120/230V PRIM., 16/24V SEC.	1
11	S-1350-16	STRAIN RELIEF - CABLE	9
12	E-1977-18	RAIL - TERMINAL BLOCK, 6-1/2 LONG	1
13	E-1974-9	FUSE BLOCK - TERMINAL MOUNT, GLASS FUSE	2
14	E-1152-56	STAND-OFF - 1/2" LONG, #6-32 THR'D	6
15	E-1974-10	FUSE HOLDER - RAIL MOUNT, MIDGET	2
16	E-2070-1	END BRACKET - TERMINAL BLOCK	4
17	E-2068-8	TERMINAL BLOCK - THROUGH, #10 GA.	14
18			
19	E-2507-3	FIXED BRIDGE - TERMINAL BLOCK - 3 POLE	2
20	E-1584-51	LABEL - TRANSFORMER, "T1"	1
21	E-1584-52	LABEL - TRANSFORMER, "T2"	1
22	E-2066-5	CONNECTOR - PLUG IN PCB TERM. 5 POLE	1
23	E-2066-10	CONNECTOR - PLUG IN PCB TERM. 10 POLE	2
24	E-2066-4	CONNECTOR - PLUG IN PCB TERM. 4 POLE	1
25	47157-7	P.C.B. COVER - CLEAR	1
26	E-889-12	FUSE - GLASS, 1/2A T "F5"	1
27	E-889	FUSE - GLASS, 1-1/4A T "F6"	1
28	E-1584-()	LABEL - PART NUMBER/ REVISION LEVEL	1
29	H-6910-63203	SCREW - #6-32 X 3/8" BUT HD	8
30	H-6423-#6	NUT - #6-32 HEX	6
31	H-7324-#6	WASHER - #6 INT. TOOTHLOCK	14
32	H-6910-83204	SCREW - #8-32 X 1/2" BUT	14
33	H-7324-#8	WASHER - #8 INT. TOOTHLOCK	14
34	H-6910-102403	SCREW - #10-24 X 3/8" BUT HD	4
35	H-7324-#10	WASHER - #10 INT. TOOTHLOCK	4
36	E-702-B	WIRE - #14 GA. BLACK MTW 12" LONG	2
37			
38	E-1214-63	CONNECTOR-1/4" NON-INS RING	REF
39	EE-3106	CABLE ASSEMBLY - BACKGAGE MOTOR	1
40	EE-2769-15	CABLE ASSEMBLY - CUT SOLENOID	1
41	EE-3105	CABLE ASSEMBLY - ENCODER	1
42	EE-2770-3	PROXIMITY SWITCH ASSEMBLY - KNIFE DOWN	1
43	EE-2770	PROXIMITY SWITCH ASSEMBLY - KNIFE LATCH	1

EE-2765-4 Power Panel Assembly – Parts (CONT.)

NO.	PART NO.	DESCRIPTION OF ACCESSORIES	QTY
44	EE-2770-4	PROXIMITY SWITCH ASSEMBLY - KNIFE UP	1
45	EE-2770-2	PROXIMITY SWITCH ASSEMBLY - CLAMP UP	1
46	EE-2775	CABLE ASSEMBLY - KNIFE LATCH	1
47	E-2066-12	CONNECTOR - PLUG-IN PCB TERM. BLOCK	1
48	EE-1688-1	CABLE ASSEMBLY - PRESET	1
49	E-709-R	WIRE - #18GA. RED MTW 30" LONG, WIRE #35	2
50	E-1356-()	LABEL - TERMINAL BLOCK	1
51	E-1356-()	LABEL - TERMINAL BLOCK	1
52	E-709-R	WIRE - #18GA. RED MTW 36" LONG, WIRE #36	1
53			
54	E-1977-3	RAIL - TERMINAL BLOCK, 3" LONG	1
55	E-849-R	WIRE - #16 GA. RED MTW (as needed)	1
56	E-709-R	WIRE - #18 GA. RED MTW (as needed)	1
57	E-1214-9	CONNECTOR - #8 INS. RING	1
58	E-1214-54	CONNECTOR - 1/4" FULLY INS. MALE Q.D.	3
59	E-1214-49	CONNECTOR - 1/4" FULLY INS. FEMALE Q.D.	4
60	E-1736-2	QUENCHARC (QA2)	1
61	EE-3362	KIT - ELECTRIC SAFETY EYES (16")	1
62			
63			
64	S-1781-42	LABEL - GROUND SYMBOL, SECONDARY	1
65	S-1781-197	LABEL - GROUND SYMBOL, PRIMARY	1
66			
67	E-2066-8	CONNECTOR - PLUG IN PCB TERMINAL BLOCK	1
68	E-1429-15	WIRE DUCT - 10-3/4" LONG	1
69	E-2719-15	COVER - WIRE DUCT, 10-3/4" LONG	1
70	E-702-R	WIRE - #14 GA. RED MTW (as needed)	1
71	E-2376-8	CONTACTOR - AUX. (1) N.O. (1) N.C.)	1
72	E-2330-3	FUSE - 2A SB, GLASS METRIC (PCF1 & 4)	2
73	E-2330-5	FUSE - 3.15A SLO-BLO, GLASS METRIC (PCF2)	1
74	E-2330-7	FUSE - 5A SLO-BLO, GLASS METRIC (PCF3)	1
75	S-1781-35	LABEL - CAUTION, ELECTRICAL SHOCK	1
76	E-1453-6	SHRINK TUBING - 1/8" DIA., 1" LONG	2
77	H-6910-404	SCREW - 1/4-20 X 1/2 BUT HD CAP	2
78	H-7324-8	WASHER - 1/4" INT. TOOTHLOCK	2
79			
80	E-2864	SEPARATOR PLATE - TERMINAL BLOCK	1
81	E-1152-43	STAND-OFF - 2" LONG HEX	2
82	E-2066-3	HEADER - 3 POS (PHOENIX)	1
83	EE-2769-3	CABLE ASSEMBLY - ADJUST. PRESS SOL.	1
84	E-2756-3	FILTER - FERRITE CORE	4
85	K-3519	KIT – CUT BUTTONS, STANDARD	REF
86	K=3346-1	KIT – CUT BUTTONS, ERGO	REF

4.24 Power Panel Assembly (with Circuit Breakers)

EE-2765-9 Rev.A - Electronically adjusted clamp pressure valve – standard w/circuit breakers



4.0 Schematics & Parts Lists

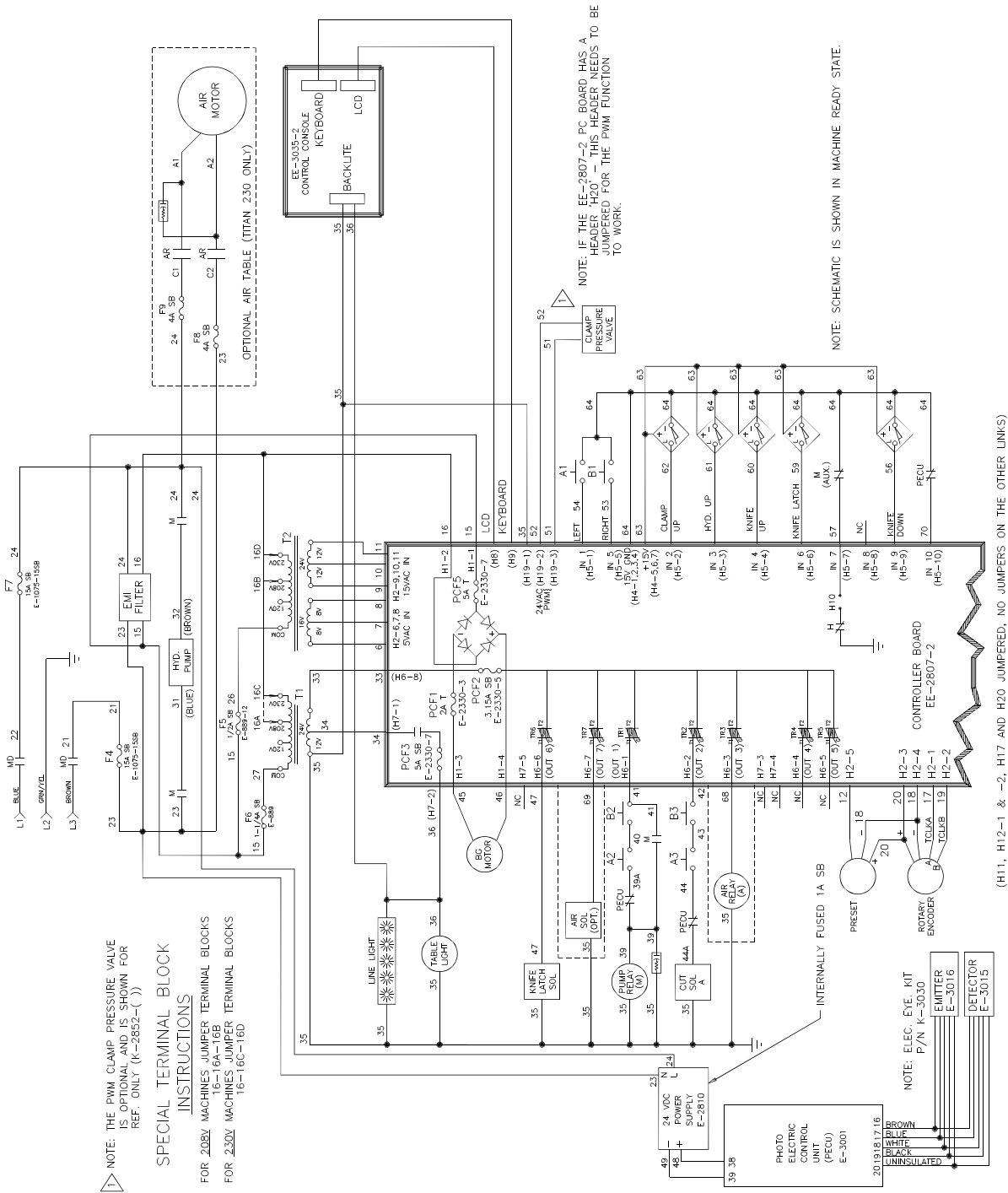
EE-2765-9 POWER PANEL ASSEMBLY – PARTS LIS (CONT.)

NO.	PART NO.	DESCRIPTION OF ACCESSORIES	QTY
1	43006-2	PANEL - ELECTRICAL	1
2	EE-2807-2	P.C.B. ASSEMBLY - CONTROLLER	1
3	E-2805-6	STARTER - CONTACTOR	1
4	E-1429-14	WIRE DUCT - 13-1/2" LONG	1
5	E-2719-14	COVER - WIRE DUCT, 13-1/2" LONG	1
6	S-1694	CABLE TIE	7
7	E-2730-3	FILTER - EMI, PANEL MOUNT	1
8	EE-2770-1	PROXIMITY ASSEMBLY - HYDRUALIC UP	1
9	E-2742-6	TRANSFORMER - 120/208/230V, 12/24V SEC.	1
10	E-2742-5	TRANSFORMER - 120/230V PRIM., 16/24V SEC.	1
11	S-1350-16	STRAIN RELIEF - CABLE	9
12	E-1977-18	RAIL - TERMINAL BLOCK, 6-1/2 LONG	1
13	E-3264	CIRCUIT BREAKER - 1/2A (CB5)	1
14	E-1152-56	STAND-OFF - 1/2" LONG, #6-32 THR'D	6
15	E-3264-1	CIRCUIT BREAKER - 1A (CB6)	1
16	E-2070-1	END BRACKET - TERMINAL BLOCK	3
17	E-2068-8	TERMINAL BLOCK - THROUGH, #10 GA.	14
18	E-3264-11	CIRCUIT BREAKER - 10A (CB4 & CB7)	2
19	E-2507-3	FIXED BRIDGE - TERMINAL BLOCK - 3 POLE	2
20	E-1584-51	LABEL - TRANSFORMER, "T1"	1
21	E-1584-52	LABEL - TRANSFORMER, "T2"	1
22	E-2066-5	CONNECTOR - PLUG IN PCB TERM. 5 POLE	1
23	E-2066-10	CONNECTOR - PLUG IN PCB TERM. 10 POLE	2
24	E-2066-4	CONNECTOR - PLUG IN PCB TERM. 4 POLE	1
25	47157-7	P.C.B. COVER - CLEAR	1
26	E-2066-3	HEADER - 3 POS (PHOENIX)	1
27	E-2066-8	CONNECTOR - PLUG IN PCB TERMINAL BLOCK	1
28	E-1584-()	LABEL - PART NUMBER/ REVISION LEVEL	1
29	H-6910-63203	SCREW - #6-32 X 3/8" BUT HD	8
30	H-6423-#6	NUT - #6-32 HEX	6
31	H-7324-#6	WASHER - #6 INT. TOOTHLOCK	14
32	H-6910-83204	SCREW - #8-32 X 1/2" BUT	14
33	H-7324-#8	WASHER - #8 INT. TOOTHLOCK	14
34	H-6910-102403	SCREW - #10-24 X 3/8" BUT HD	4
35	H-7324-#10	WASHER - #10 INT. TOOTHLOCK	4
36	E-702-B	WIRE - #14 GA. BLACK MTW 12" LONG	2
37	EE-2769-3	CABLE ASSEMBLY - ADJUST. PRESS SOL.	1
38	E-1214-63	CONNECTOR-1/4" NON-INS RING	REF
39	EE-3106	CABLE ASSEMBLY - BACKGAGE MOTOR	1
40	EE-2769-15	CABLE ASSEMBLY - CUT SOLENOID	1

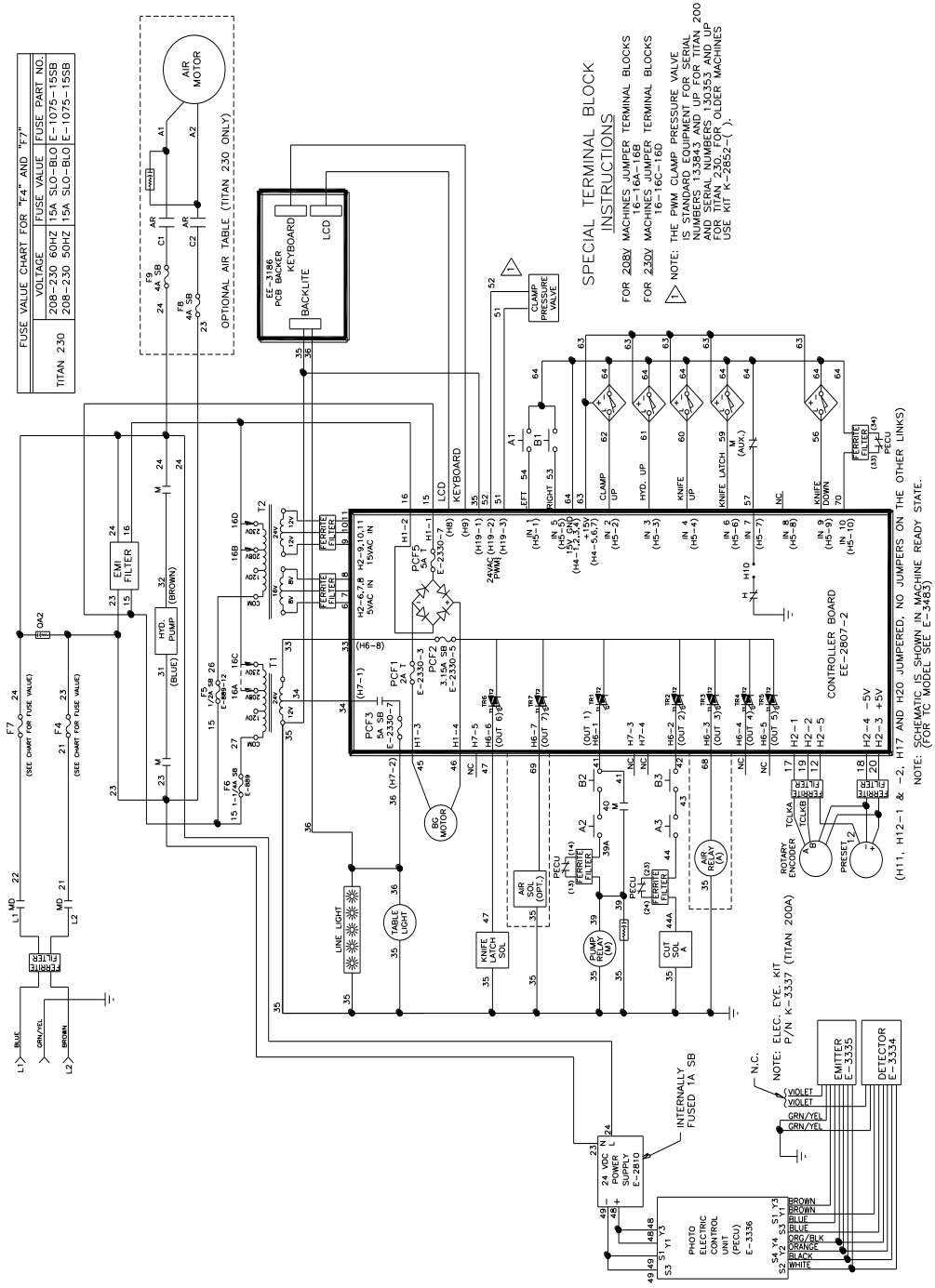
EE-2765-9 POWER PANEL ASSEMBLY – PARTS LIST (CONT.)

NO.	PART NO.	DESCRIPTION OF ACCESSORIES	QTY
41	EE-3105	CABLE ASSEMBLY - ENCODER	1
42	EE-2770-3	PROXIMITY SWITCH ASSEMBLY - KNIFE DOWN	1
43	EE-2770	PROXIMITY SWITCH ASSEMBLY - KNIFE LATCH	1
44	EE-2770-4	PROXIMITY SWITCH ASSEMBLY - KNIFE UP	1
45	EE-2770-2	PROXIMITY SWITCH ASSEMBLY - CLAMP UP	1
46	EE-2775	CABLE ASSEMBLY - KNIFE LATCH	1
47	E-2066-12	CONNECTOR - PLUG-IN PCB TERM. BLOCK	1
48	EE-1688-1	CABLE ASSEMBLY - PRESET	1
49	E-709-R	WIRE - #18GA. RED MTW 30" LONG, WIRE #35	2
50	E-1356-()	LABEL - TERMINAL BLOCK	1
51	E-1356-()	LABEL - TERMINAL BLOCK	1
52	E-709-R	WIRE - #18GA. RED MTW 36" LONG, WIRE #36	1
53	E-2756-3	FILTER - FERRITE CORE	4
54	E-1977-3	RAIL - TERMINAL BLOCK, 3" LONG	1
55	E-849-R	WIRE - #16 GA. RED MTW (AS REQUIRED)	1
56	E-709-R	WIRE - #18 GA. RED MTW (AS REQUIRED)	1
57	E-1214-9	CONNECTOR - #8 INS. RING	1
58	E-1214-54	CONNECTOR - 1/4" FULLY INS. MALE Q.D.	3
59	E-1214-49	CONNECTOR - 1/4" FULLY INS. FEMALE Q.D.	4
60	E-1736-2	QUENCHARC (QA2)	1
61	EE-3362	KIT - ELECTRIC SAFETY EYES (16")	1
62	K-3519	KIT - CUT BUTTONS, STANDARD	REF
63	K-3346-1	KIT- CUT BUTTONS, ERGO	REF
64	S-1781-42	LABEL - GROUND SYMBOL, SECONDARY	1
65	S-1781-197	LABEL - GROUND SYMBOL, PRIMARY	1
66	E-2864	SEPARATOR PLATE - TERMINAL BLOCK	1
67	E-1152-43	STAND-OFF - 2" LONG HEX	2
68	E-1429-15	WIRE DUCT - 10-3/4" LONG	1
69	E-2719-15	COVER - WIRE DUCT, 10-3/4" LONG	1
70	E-702-R	WIRE - #14 GA. RED MTW (AS REQUIRED)	1
71	E-2376-8	CONTACTOR - AUX. (1) N.O. (1) N.C.)	1
72	E-2330-3	FUSE - 2A SB, GLASS METRIC (PCF1 & 4)	2
73	E-2330-5	FUSE - 3.15A SLO-BLO, GLASS METRIC (PCF2)	1
74	E-2330-7	FUSE - 5A SLO-BLO, GLASS METRIC (PCF3)	1
75	S-1781-35	LABEL - CAUTION, ELECTRICAL SHOCK	1
76	E-1453-6	SHRINK TUBING - 1/8" DIA., 1" LONG	2
77	H-6910-404	SCREW - 1/4-20 X 1/2 BUT HD CAP	2
78	H-7324-8	WASHER - 1/4" INT. TOOTHLOCK	2

4.25 Electrical Schematic – Basic Machine (s/n 130352 & below) E-2771-6 Rev. "C" – manually controlled clamp pressure valve

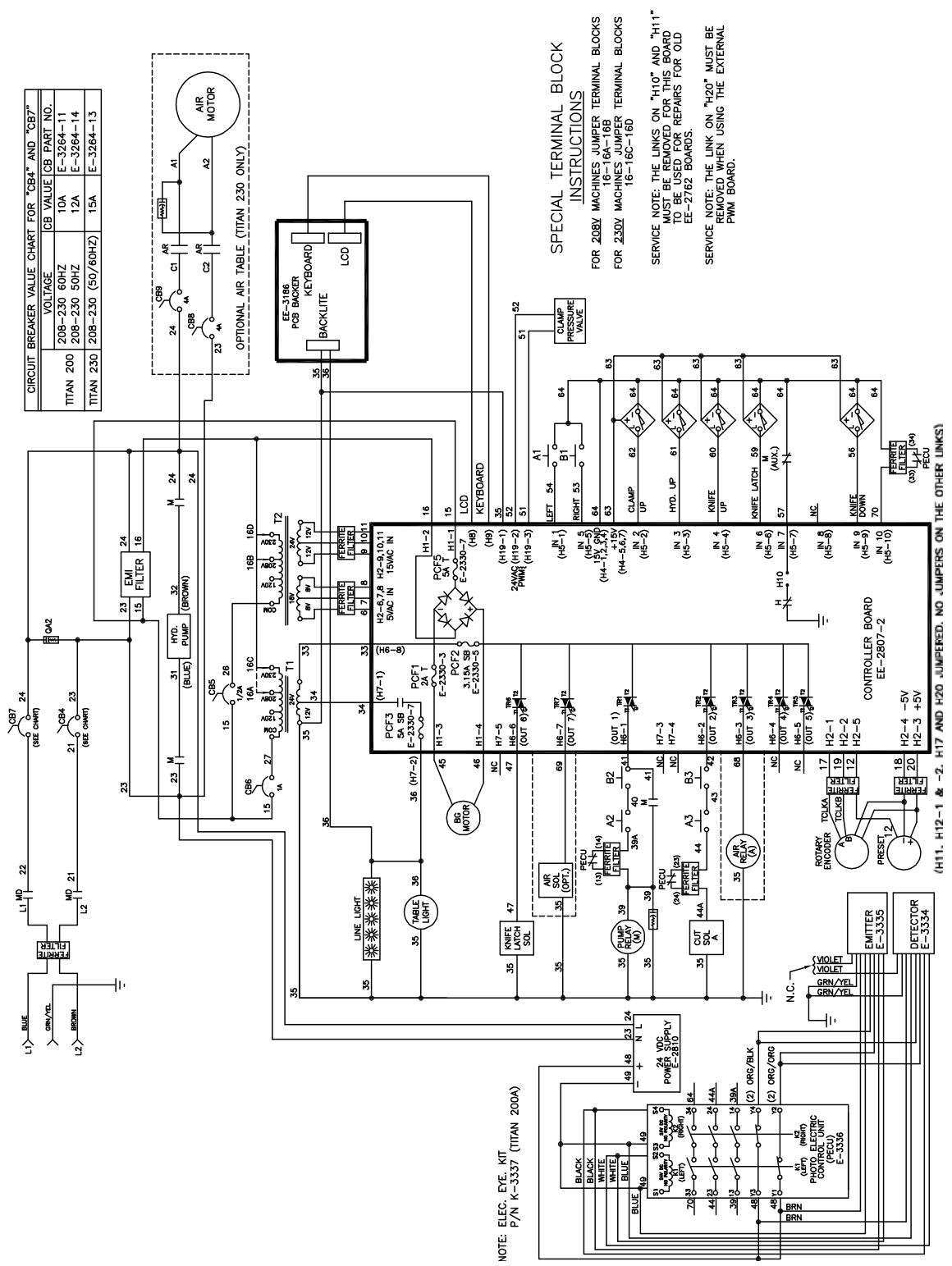


4.26 Electrical Schematic – Basic Machine (s/n 130353 & above) E-2771-8 Rev. "B" – Electrically adjusted clamp pressure valve – standard (with fuses)



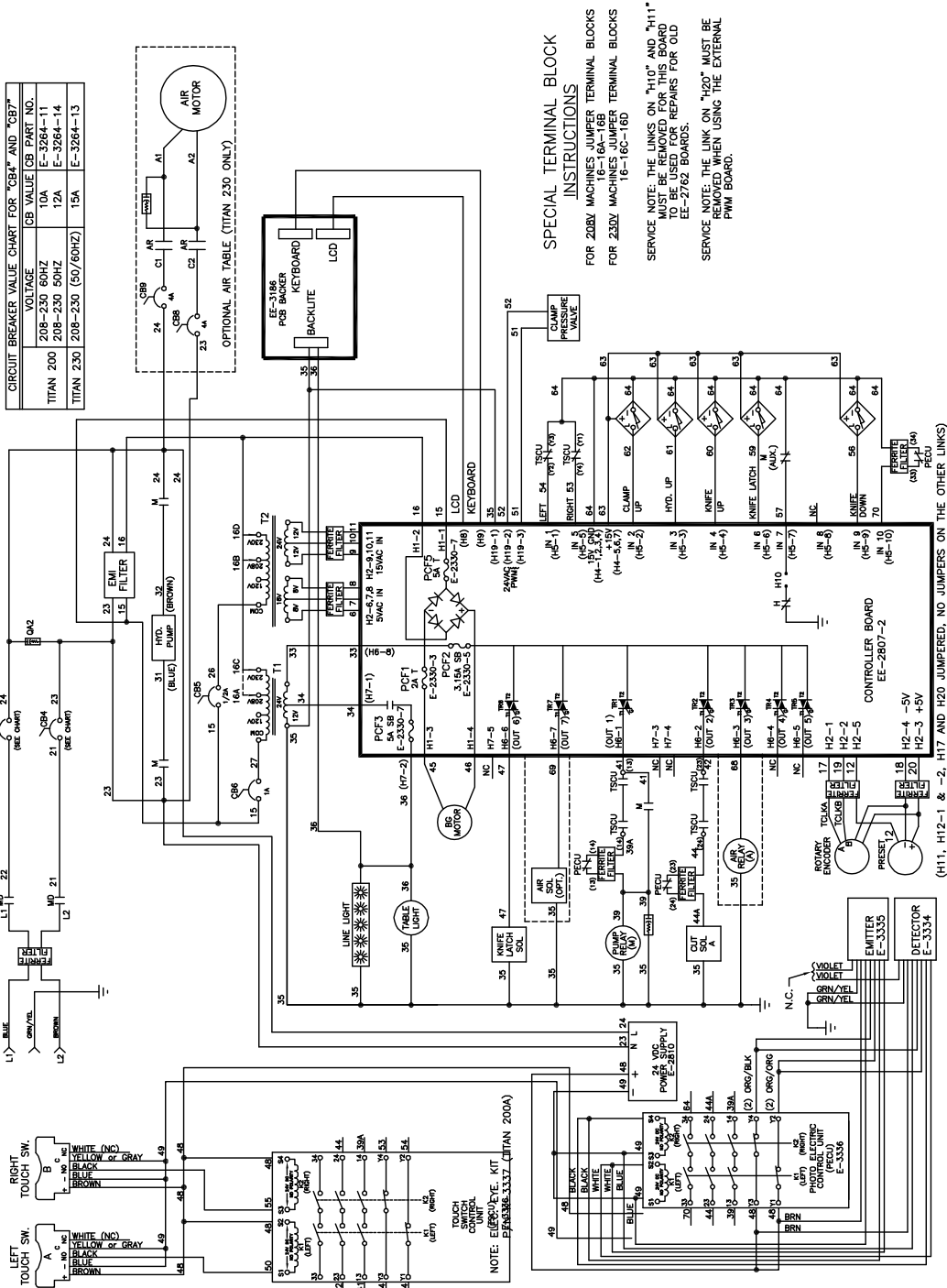
4.28 Electrical Schematic – Basic Machine (with Circuit Breakers)

E-2771-12 REV. A - Electrically Adjusted clamp pressure valve – standard (with circuit breakers)



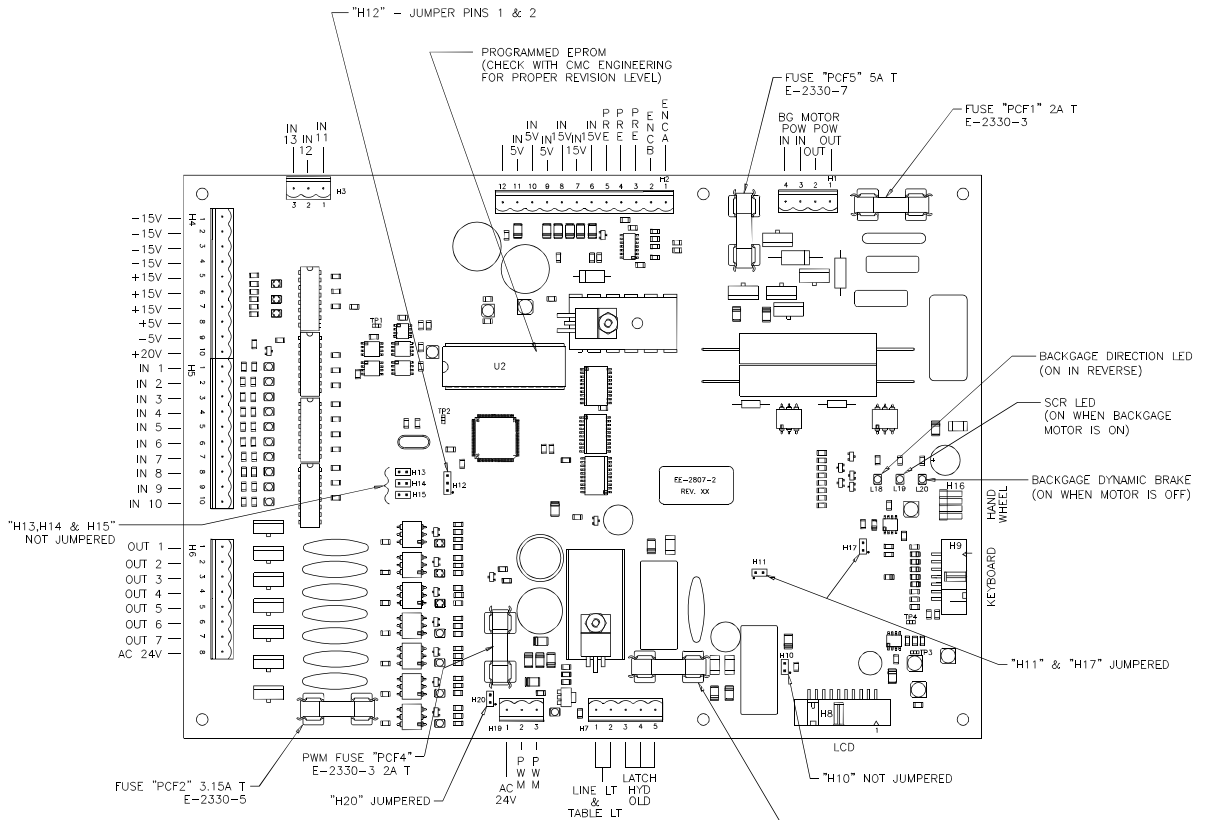
4.29 Electrical Schematic – Basic Machine (with Circuit Breakers)

E-2771-12 REV. A - Electrically Adjusted clamp pressure valve – Ergo Touch Switches



4.30 P.C. Board Assembly - control

EE-2807-2 Rev. F



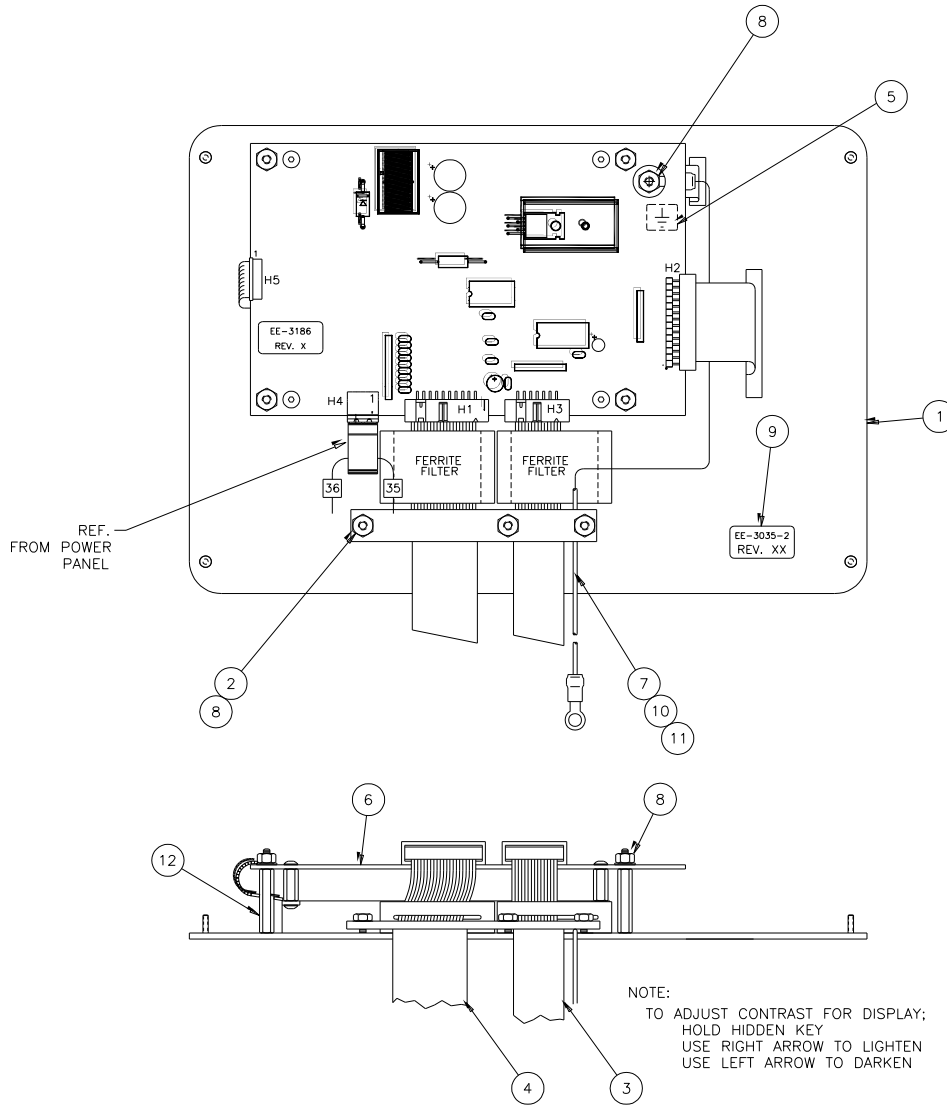
NOTE: PCF4 FUSE IS ONLY ON BOARD WHEN UTILIZING THE PWM FEATURE (OPTION)
 * IC CHIPS MUST BE ORDERED SEPARATELY
 * IC CHIPS; EE-1766-82 FOR TITAN 230 CUTTER, SPACER

DESCRIPTION
IN 1: Left Cut Switch
IN 2: Clamp Up Limit
IN 3: Hyd. Cylinder Up Limit
IN 4: Knife Up Limit
IN 5: Right Cut Switch
IN 6: Knife Latch
IN 7: Pump Motor - N.C.
IN 8: Not Used
IN 9: Knife Down Limit
IN 10: Photo Electric Control Unit

DESCRIPTION
OUT 1: Pump Motor Starter
OUT 2: Cut Relay "A"
OUT 3: Not Used
OUT 4: Not Used
OUT 5: Not Used
OUT 6: Knife Latch Solenoid
OUT 7: Not Used

4.31 Control Console Assembly – Standard, Back Lit Display

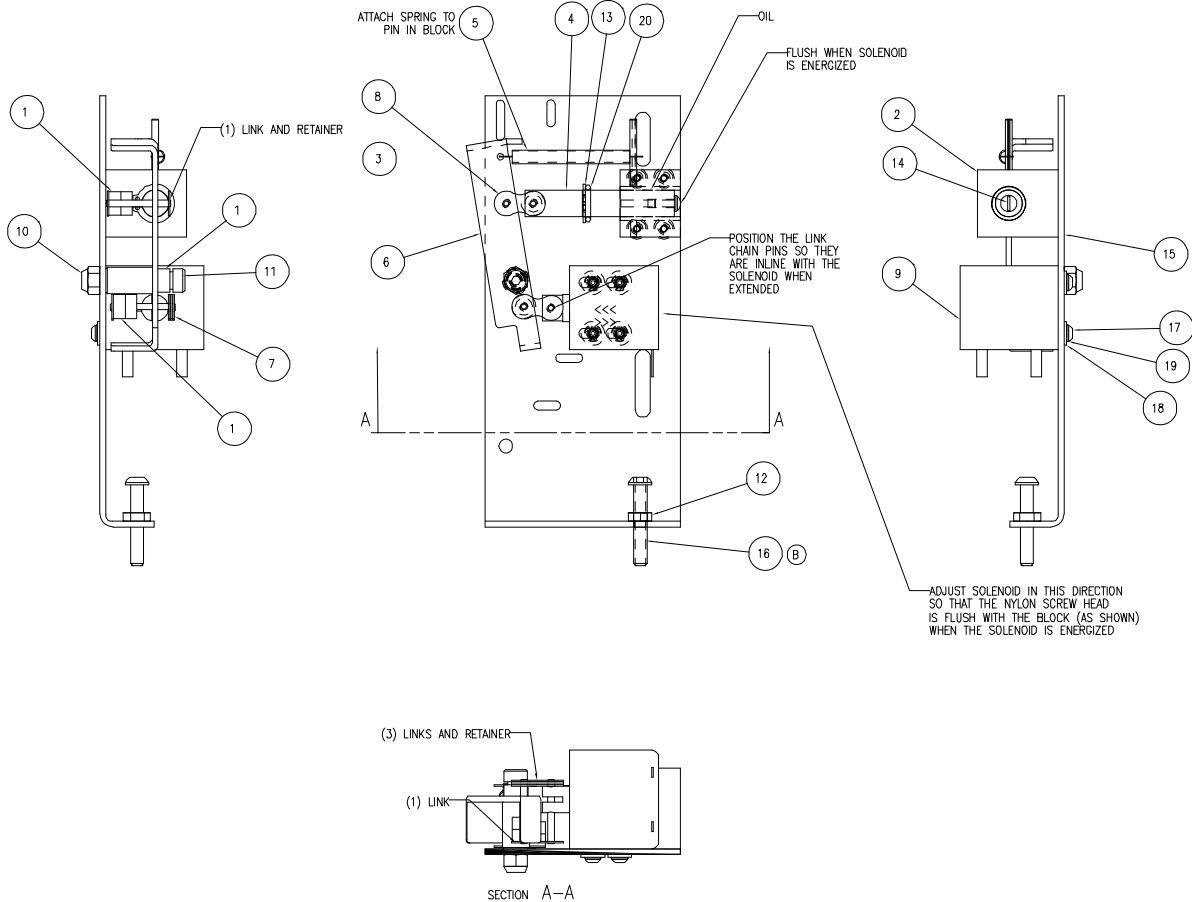
EE-3035-2 Rev."F"



NO.	PART NO.	DESCRIPTION OF ACCESSORIES	QTY
1	43102	PANEL - CONTROL CONSOLE	1
2	43066	STRAIN RELIEF - RIBBON CABLE	1
3	EE-2855-12	RIBBON CABLE ASM. - KEYPAD, 14 COND.	1
4	EE-2855-11	RIBBON CABLE ASM. - DISPLAY, 20 COND.	1
5	S-1781-42	LABEL - GROUND SYMBOL	1
6	EE-3439	PCB BACKER ASM. - LCD DISPLAY	1
7	E-2743	WIRE - #18 GA. GRN/YEL EURO GND. 22" LONG	1
8	H-6423-#6	NUT - #6-32 HEX	4
9	E-1584-()	LABEL - ASM. NO./REV. LEVEL	1
10	E-1214-10	CONNECTOR - #6 INS. RING (14-18 GA)	1
11	E-1214-64	CONNECTOR - 1/4" NON-INS. RING	1
12	E-1152-58	STAND-OFF - 1" LONG	4

4.32 Knife Latch Assembly

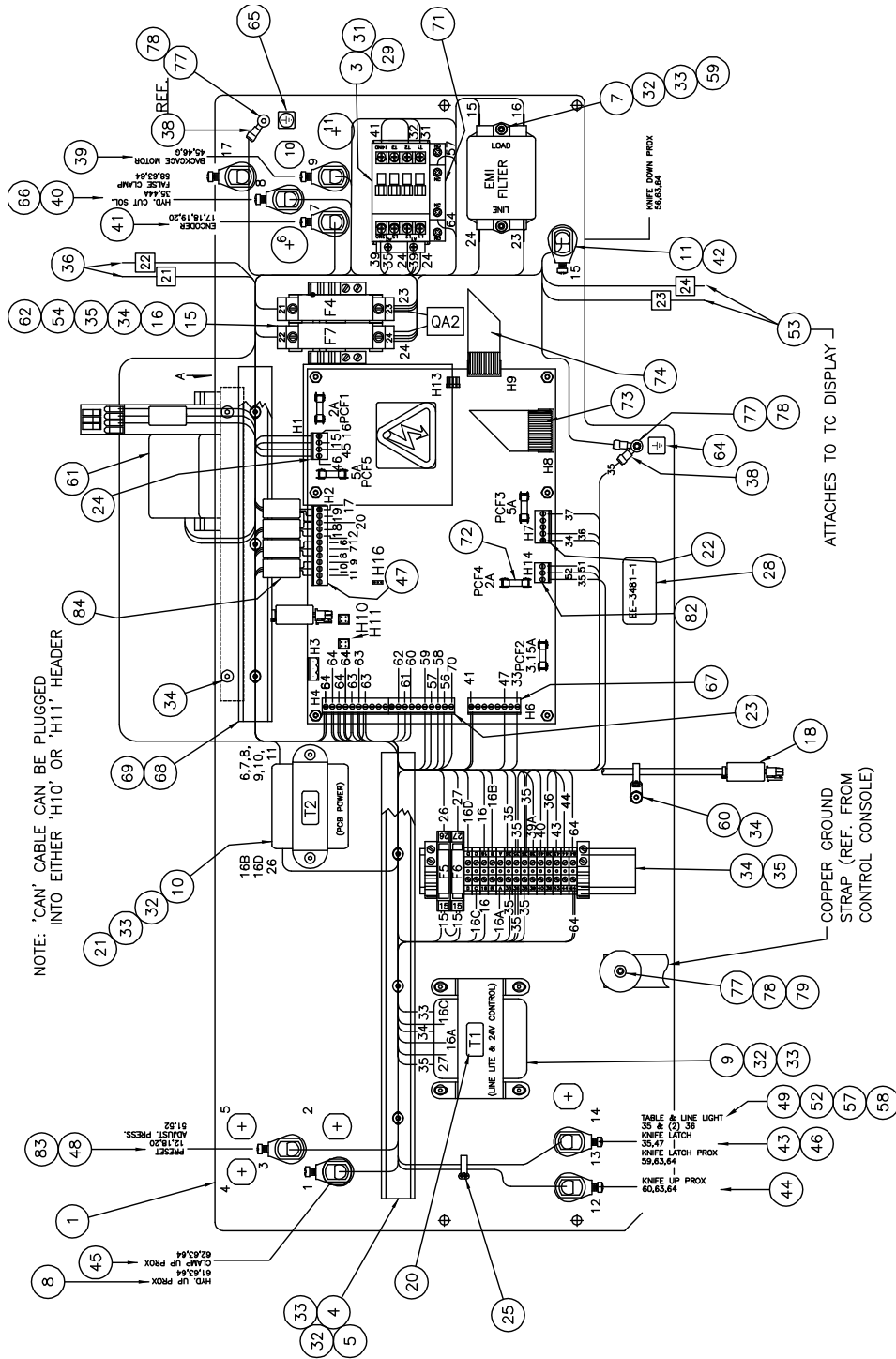
41120-4 Rev. B



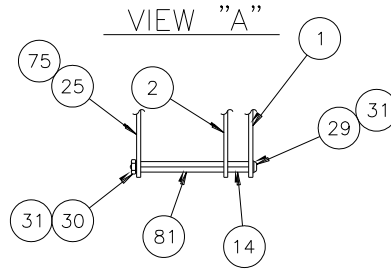
NO.	PART NO.	DESCRIPTION	QTY
1	11288-28	WASHER/SPACER	5
2	41112-2	ASSEMBLY - KNIFE LATCH BLOCK	1
3	41115-2	PLATE- KNIFE LATCH	1
4	41116-3	ROD- KNIFE LATCH	1
5	41117-1	SPRING - EXTENSION	1
6	47553-2	LINK ASSEMBLY- KNIFE LATCH	1
7	47567	LINK - CHAIN	1
8	47567	LINK - CHAIN	1
9	E-974-3	SOLENOID	1
10	H-5247-4	NUT - 1/4-20 FLEX LOCK	1
11	H-5254-510	SCREW - 5/16 X 1-1/4 SHSS	1
12	H-6424-4	NUT - 1/4-20 HEX JAM	1
13	H-6451-0500	RING - EXTERNAL GRIPPING	1
14	H-6880-83206	SCREW - #8-32 X 3/8 NYLON ROUND HD MACH	1
15	H-6909-83203	SCREW - #8-32 X 3/8" FLAT HEAD CAP	4
16	H-6910-412	SCREW - 1/4-20 X 1-1/2 BUTTON HEAD CAP	1
17	H-6910-83203	SCREW - #8-32 X 3/8 BUTTON HEAD CAP	4
18	H-7321-N8	WASHER - #8 SAE PLAIN	4
19	H-7324-N8	WASHER - #8 INT TOOTH	4
20	S-1810-9	O-RING	1

4.33 'TC' Upgrade (Optional)

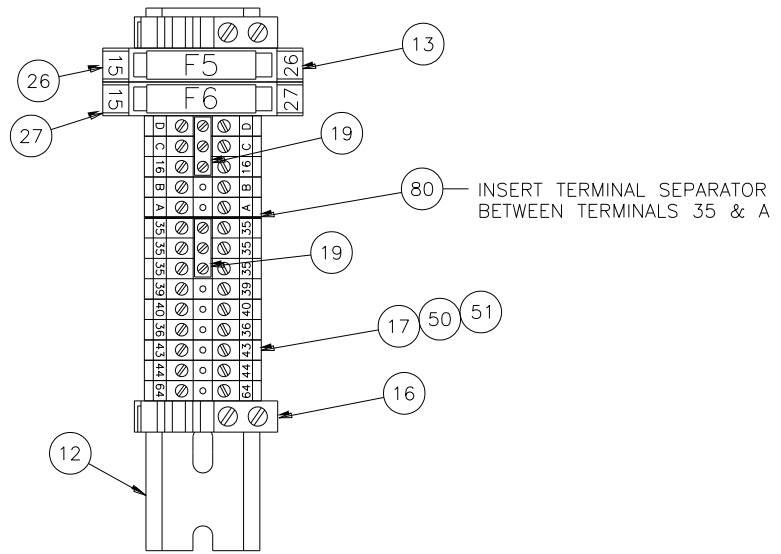
EE-3481-1 Rev.H - TITAN 230B and up Only (with fuses)



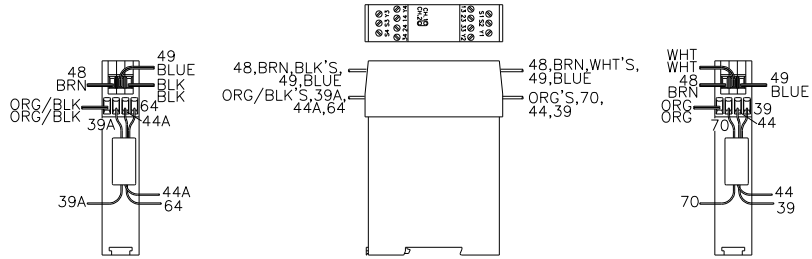
Power Panel Assembly - parts
EE-3481-1



TRANSFORMER COLOR CODE	
T1	
WIRE COLOR	WIRE NO.
BLACK	27
BLACK/YELLOW	16A
BLACK/RED	16C
WHITE	35
YELLOW	34
RED	33
GREEN	-
T2	
WIRE COLOR	WIRE NO.
BLACK	26
BLACK/YELLOW	16B
BLACK/RED	16D
BLUE	9
BLUE/YELLOW	10
BLUE	11
RED	8
RED/YELLOW	7
RED	6



ELEC. EYE RELAY WIRE DETAIL
(ITEM #86)



4.0 Schematics & Parts Lists

Power Panel Assembly - parts

EE-3481-1

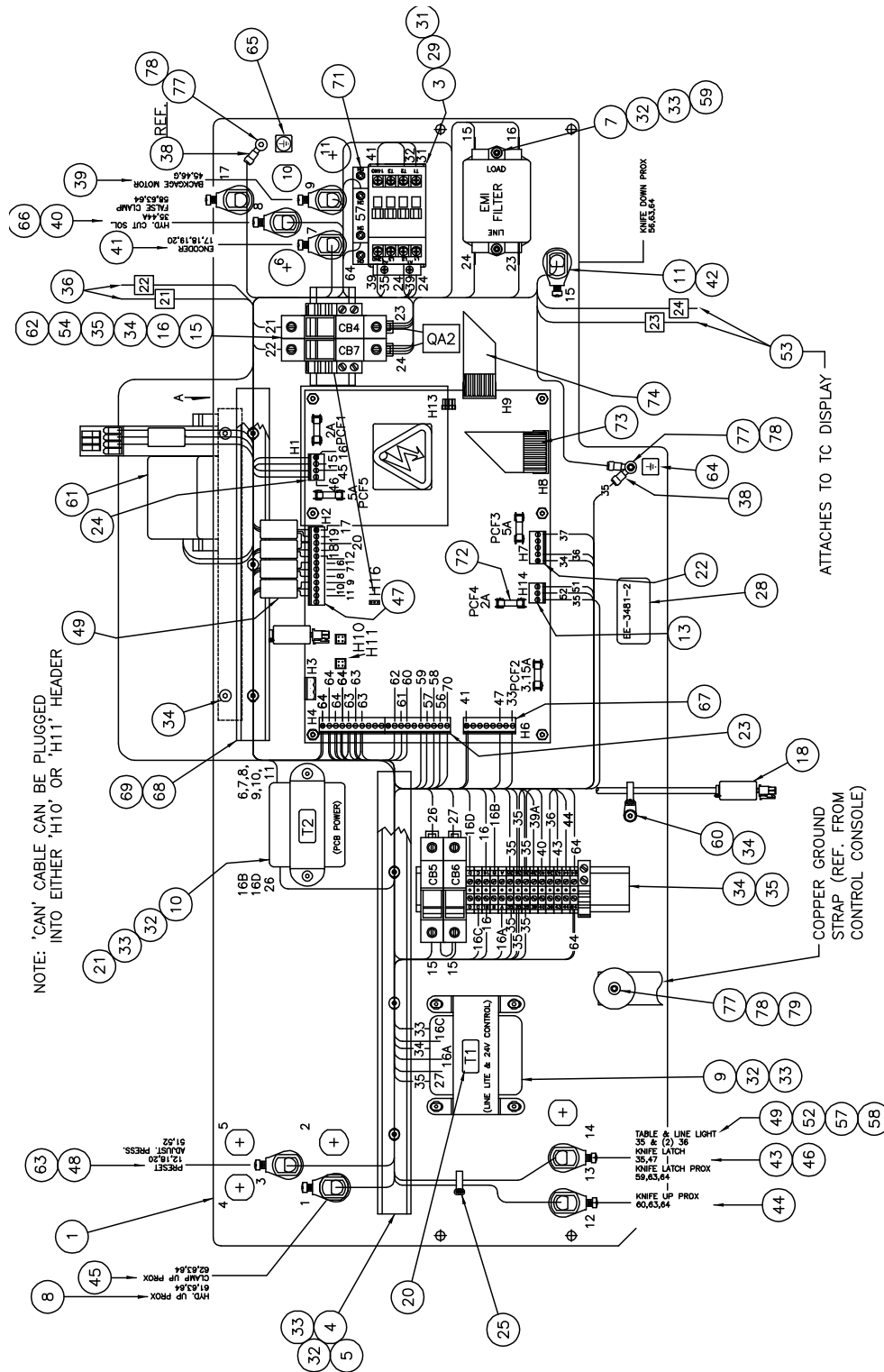
NO.	PART NO.	DESCRIPTION OF ACCESSORIES	QTY
1	43006-2	PANEL - ELECTRICAL	1
2	EE-3432-2	P.C.B. ASSEMBLY - TC, I/O	1
3	E-2805-6	STARTER - CONTACTOR	1
4	E-1429-14	WIRE DUCT - 13-1/2" LONG	1
5	E-2719-14	COVER - WIRE DUCT, 13-1/2" LONG	1
6	S-1694	CABLE TIE	7
7	E-2730-3	FILTER - EMI, PANEL MOUNT	1
8	EE-2770-1	PROXIMITY ASSEMBLY - HYDRUALIC UP	1
9	E-2742-6	TRANSFORMER - 120/208/230V, 12/24V SEC.	1
10	E-2742-5	TRANSFORMER - 120/230V PRIM., 16/24V SEC.	1
11	S-1350-16	STRAIN RELIEF - CABLE	9
12	E-1977-18	RAIL - TERMINAL BLOCK, 6-1/2 LONG	1
13	E-1974-9	FUSE BLOCK - TERMINAL MOUNT, GLASS FUSE	2
14	E-1152-56	STAND-OFF - 1/2" LONG, #6-32 THR'D	6
15	E-1974-10	FUSE HOLDER - RAIL MOUNT, MIDGET	2
16	E-2070-1	END BRACKET - TERMINAL BLOCK	4
17	E-2068-8	TERMINAL BLOCK - THROUGH, #10 GA.	14
18	EE-3460-1	CABLE ASSEMBLY - 'CAN'	1
19	E-2507-3	FIXED BRIDGE - TERMINAL BLOCK - 3 POLE	2
20	E-1584-51	LABEL - TRANSFORMER, "T1"	1
21	E-1584-52	LABEL - TRANSFORMER, "T2"	1
22	E-2066-5	CONNECTOR - PLUG IN PCB TERM. 5 POLE	1
23	E-2066-10	CONNECTOR - PLUG IN PCB TERM. 10 POLE	2
24	E-2066-4	CONNECTOR - PLUG IN PCB TERM. 4 POLE	1
25	47157-7	P.C.B. COVER - CLEAR	1
26	E-889-12	FUSE - GLASS, 1/2A T "F5"	1
27	E-889	FUSE - GLASS, 1-1/4A T "F6"	1
28	E-1584-()	LABEL - PART NUMBER/ REVISION LEVEL	1
29	H-6910-63203	SCREW - #6-32 X 3/8" BUT HD	8
30	H-6423-#6	NUT - #6-32 HEX	6
31	H-7324-#6	WASHER - #6 INT. TOOTHLOCK	14
32	H-6910-83204	SCREW - #8-32 X 1/2" BUT	14
33	H-7324-#8	WASHER - #8 INT. TOOTHLOCK	14
34	H-6910-102403	SCREW - #10-24 X 3/8" BUT HD	5
35	H-7324-#10	WASHER - #10 INT. TOOTHLOCK	4
36	E-702-B	WIRE - #14 GA. BLACK MTW 12" LONG	2
37			
38	E-1214-63	CONNECTOR-1/4" NON-INS RING	REF
39	EE-3106	CABLE ASSEMBLY - BACKGAGE MOTOR	1
40	EE-2769-15	CABLE ASSEMBLY - CUT SOLENOID	1
41	EE-3105	CABLE ASSEMBLY - ENCODER	1
42	EE-2770-3	PROXIMITY SWITCH ASSEMBLY - KNIFE DOWN	1
43	EE-2770	PROXIMITY SWITCH ASSEMBLY - KNIFE LATCH	1

Power Panel Assembly - parts

EE-3481-1

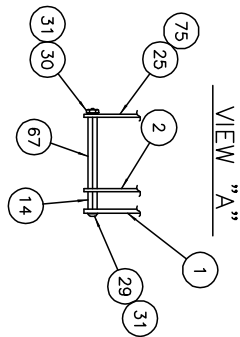
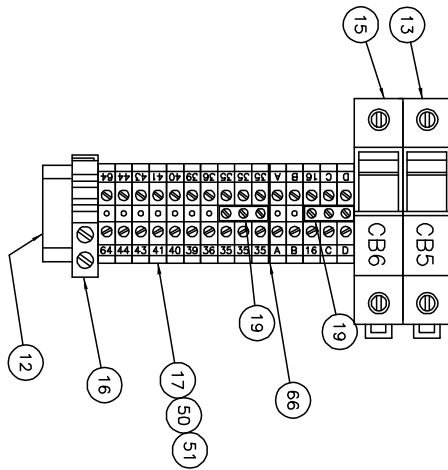
NO.	PART NO.	DESCRIPTION OF ACCESSORIES	QTY
44	EE-2770-4	PROXIMITY SWITCH ASSEMBLY - KNIFE UP	1
45	EE-2770-2	PROXIMITY SWITCH ASSEMBLY - CLAMP UP	1
46	EE-2775	CABLE ASSEMBLY - KNIFE LATCH	1
47	E-2066-12	CONNECTOR - PLUG-IN PCB TERM. BLOCK	1
48	EE-1688-1	CABLE ASSEMBLY - PRESET	1
49			
50	E-1356-()	LABEL - TERMINAL BLOCK	1
51	E-1356-()	LABEL - TERMINAL BLOCK	1
52	E-709-R	WIRE - #18GA. RED MTW 36" LONG, WIRE #36	1
53	E-709-R	WIRE - #18GA. RED MTW 34" LONG (#23,24)	2
54	E-1977-3	RAIL - TERMINAL BLOCK, 3" LONG	1
55	E-849-R	WIRE - #16 GA. RED MTW	AS NEEDED
56	E-709-R	WIRE - #18 GA. RED MTW	AS NEEDED
57	E-1214-9	CONNECTOR - #8 INS. RING	1
58	E-1214-54	CONNECTOR - 1/4" FULLY INS. MALE Q.D.	3
59	E-1214-49	CONNECTOR - 1/4" FULLY INS. FEMALE Q.D.	4
60	S-1694-2	TIE - CABLE, #10 SCREW MOUNT	1
61	EE-3362	KIT - ELECTRIC SAFETY EYES (16")	1
62	E-1736-2	QUENCHARC - (QA2)	1
63			
64	S-1781-42	LABEL - GROUND SYMBOL, SECONDARY	1
65	S-1781-197	LABEL - GROUND SYMBOL, PRIMARY	1
66	EE-2770-7	PROXIMITY SWITCH ASSEMBLY - FALSE CLAMP	1
67	E-2066-8	CONNECTOR - PLUG IN PCB TERMINAL BLOCK	1
68	E-1429-15	WIRE DUCT - 10-3/4" LONG	1
69	E-2719-15	COVER - WIRE DUCT, 10-3/4" LONG	1
70	E-702-R	WIRE - #14 GA. RED MTW	AS NEEDED
71	E-2376-8	CONTACTOR - AUX. (1) N.O. (1) N.C.)	1
72	E-2330-3	FUSE - 2A SB, METRIC (PCF1 & PCF4)	2
73	EE-2855-15	CABLE ASSEMBLY - RIBBON, 20 PIN	1
74	EE-2855-16	CABLE ASSEMBLY - RIBBON, 14 PIN	1
75	S-1781-35	LABEL - CAUTION, ELECTRICAL SHOCK	1
76	E-1453-6	SHRINK TUBING - 1/8" DIA., 1" LONG	2
77	H-6910-404	SCREW - 1/4-20 X 1/2 BUT HD CAP	3
78	H-7324-8	WASHER - 1/4" INT. TOOTHLOCK	3
79	H-6993-510	WASHER - 5/26 X 1-14 FENDER	1
80	E-2864	SEPARATOR PLATE - TERMINAL BLOCK	1
81	E-1152-43	STAND-OFF - 2" LONG HEX	2
82	E-2066-3	HEADER - 3 POS (PHOENIX)	1
83	EE-2769-3	CABLE ASSEMBLY - ADJUST. PRESS SOL.	1
84	E-2756-3	FILTER - FERRITE CORE	4
86	K-3519-1	KIT - CUT BUTTONS, STANDARD	REF
87	K-3346-2	KIT - CUT BUTTONS, ERGO	REF

4.34 EE-3481-2 Rev.A – Power Panel Assembly – TC Upgrade (with Circuit Breakers)

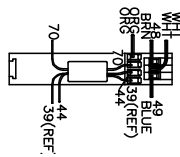
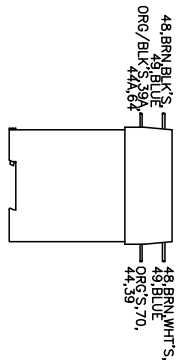
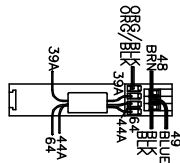


Power Panel Assembly – TC Upgrade (CONT.)
 EE-3481-2

TRANSFORMER COLOR CODE	
T 1	10
WIRE COLOR	WIRE NO.
BLACK	27
BLACK/YELLOW	16A
BLACK/RED	16C
WHITE	35
YELLOW	34
RED	33
GREEN	-
T 2	10
WIRE COLOR	WIRE NO.
BLACK	26
BLACK/YELLOW	16B
BLACK/RED	16D
BLUE	9
BLUE/YELLOW	10
BLUE	11
RED	8
RED/YELLOW	7
RED	6



ELEC. EYE RELAY WIRE DETAIL



4.0 Schematics & Parts Lists

Power Panel Assembly – parts list – EE-3481-2

NO.	PART NO.	DESCRIPTION OF ACCESSORIES	QTY
1	43006-2	PANEL - ELECTRICAL	1
2	EE-3432-2	P.C.B. ASSEMBLY - TC, I/O	1
3	E-2805-6	STARTER - CONTACTOR	1
4	E-1429-14	WIRE DUCT - 13-1/2" LONG	1
5	E-2719-14	COVER - WIRE DUCT, 13-1/2" LONG	1
6	S-1694	CABLE TIE	7
7	E-2730-3	FILTER - EMI, PANEL MOUNT	1
8	EE-2770-1	PROXIMITY ASSEMBLY - HYDRUALIC UP	1
9	E-2742-6	TRANSFORMER - 120/208/230V, 12/24V SEC.	1
10	E-2742-5	TRANSFORMER - 120/230V PRIM., 16/24V SEC.	1
11	S-1350-16	STRAIN RELIEF - CABLE	9
12	E-1977-18	RAIL - TERMINAL BLOCK, 6-1/2 LONG	1
13	E-2066-3	HEADER - 3 POS (PHOENIX)	1
14	E-1152-56	STAND-OFF - 1/2" LONG, #6-32 THR'D	6
15	E-3264-13	CIRCUIT BREAKER - 15A (CB4 & 7)	2
16	E-2070-1	END BRACKET - TERMINAL BLOCK	4
17	E-2068-8	TERMINAL BLOCK - THROUGH, #10 GA.	14
18	EE-3460-1	CABLE ASSEMBLY - 'CAN'	1
19	E-2507-3	FIXED BRIDGE - TERMINAL BLOCK - 3 POLE	2
20	E-1584-51	LABEL - TRANSFORMER, "T1"	1
21	E-1584-52	LABEL - TRANSFORMER, "T2"	1
22	E-2066-5	CONNECTOR - PLUG IN PCB TERM. 5 POLE	1
23	E-2066-10	CONNECTOR - PLUG IN PCB TERM. 10 POLE	2
24	E-2066-4	CONNECTOR - PLUG IN PCB TERM. 4 POLE	1
25	47157-7	P.C.B. COVER - CLEAR	1
26	E-3264	CIRCUIT BREAKER - 1/2A (CB5)	1
27	E-3264-1	CIRCUIT BREAKER - 1A (CB6)	1
28	E-1584-()	LABEL - PART NUMBER/ REVISION LEVEL	1
29	H-6910-63203	SCREW - #6-32 X 3/8" BUT HD	8
30	H-6423-#6	NUT - #6-32 HEX	6
31	H-7324-#6	WASHER - #6 INT. TOOTHLOCK	14
32	H-6910-83204	SCREW - #8-32 X 1/2" BUT	14
33	H-7324-#8	WASHER - #8 INT. TOOTHLOCK	14
34	H-6910-102403	SCREW - #10-24 X 3/8" BUT HD	5
35	H-7324-#10	WASHER - #10 INT. TOOTHLOCK	4
36	E-702-B	WIRE - #14 GA. BLACK MTW 12" LONG	2
37	E-1152-43	STAND-OFF - 2" LONG HEX	2
38	E-1214-63	CONNECTOR-1/4" NON-INS RING	REF
39	EE-3106	CABLE ASSEMBLY - BACKGAGE MOTOR	1
40	EE-2769-15	CABLE ASSEMBLY - CUT SOLENOID	1
41	EE-3105	CABLE ASSEMBLY - ENCODER	1

Power Panel Assembly – parts list– EE-3481-2

NO.	PART NO.	DESCRIPTION OF ACCESSORIES	QTY
42	EE-2770-3	PROXIMITY SWITCH ASSEMBLY - KNIFE DOWN	1
43	EE-2770	PROXIMITY SWITCH ASSEMBLY - KNIFE LATCH	1
44	EE-2770-4	PROXIMITY SWITCH ASSEMBLY - KNIFE UP	1
45	EE-2770-2	PROXIMITY SWITCH ASSEMBLY - CLAMP UP	1
46	EE-2775	CABLE ASSEMBLY - KNIFE LATCH	1
47	E-2066-12	CONNECTOR - PLUG-IN PCB TERM. BLOCK	1
48	EE-1688-1	CABLE ASSEMBLY - PRESET	1
49	E-2756-3	FILTER - FERRITE CORE	4
50	E-1356-()	LABEL - TERMINAL BLOCK	1
51	E-1356-()	LABEL - TERMINAL BLOCK	1
52	E-709-R	WIRE - #18GA. RED MTW 36" LONG, WIRE #36	1
53	E-709-R	WIRE - #18GA. RED MTW 34" LONG (#23,24)	2
54	E-1977-3	RAIL - TERMINAL BLOCK, 3" LONG	1
55	E-849-R	WIRE - #16 GA. RED MTW (AS NEEDED)	1
56	E-709-R	WIRE - #18 GA. RED MTW (AS NEEDED)	1
57	E-1214-9	CONNECTOR - #8 INS. RING	1
58	E-1214-54	CONNECTOR - 1/4" FULLY INS. MALE Q.D.	3
59	E-1214-49	CONNECTOR - 1/4" FULLY INS. FEMALE Q.D.	4
60	S-1694-2	TIE - CABLE, #10 SCREW MOUNT	1
61	EE-3362	KIT - ELECTRIC SAFETY EYES (16")	1
62	E-1736-2	QUENCHARC (QA2)	1
63	EE-2769-3	CABLE ASSEMBLY - ADJUST. PRESS SOL.	1
64	S-1781-42	LABEL - GROUND SYMBOL, SECONDARY	1
65	S-1781-197	LABEL - GROUND SYMBOL, PRIMARY	1
66	EE-2770-7	PROXIMITY SWITCH ASSEMBLY - FALSE CLAMP	1
67	E-2066-8	CONNECTOR - PLUG IN PCB TERMINAL BLOCK	1
68	E-1429-15	WIRE DUCT - 10-3/4" LONG	1
69	E-2719-15	COVER - WIRE DUCT, 10-3/4" LONG	1
70	E-702-R	WIRE - #14 GA. RED MTW (AS NEEDED)	1
71	E-2376-8	CONTACTOR - AUX. (1) N.O. (1) N.C.)	1
72	E-2330-3	FUSE - 2A SB, METRIC (PCF1 & PCF4)	2
73	EE-2855-15	CABLE ASSEMBLY - RIBBON, 20 PIN	REF
74	EE-2855-16	CABLE ASSEMBLY - RIBBON, 14 PIN	REF
75	S-1781-35	LABEL - CAUTION, ELECTRICAL SHOCK	1
76	E-1453-6	SHRINK TUBING - 1/8" DIA., 1" LONG	2
77	H-6910-404	SCREW - 1/4-20 X 1/2 BUT HD CAP	3
78	H-7324-8	WASHER - 1/4" INT. TOOTHLOCK	3
79	H-6993-510	WASHER - 5/16 X 1-14 FENDER	1
80	E-2864	SEPARATOR PLATE - TERMINAL BLOCK	1
81	K-3519-1	KIT - CUT BUTTONS, STANDARD	REF
82	K-3346-2	KIT- CUT BUTTONS, ERGO	REF