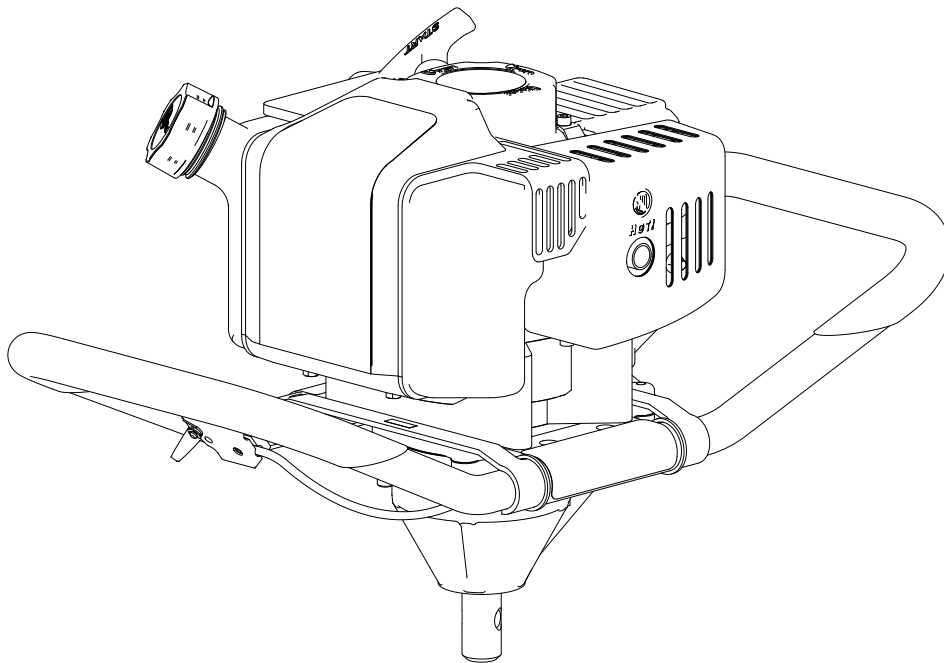


SN



Product Number – Número de producto – Référence

E43
E43CE
22777

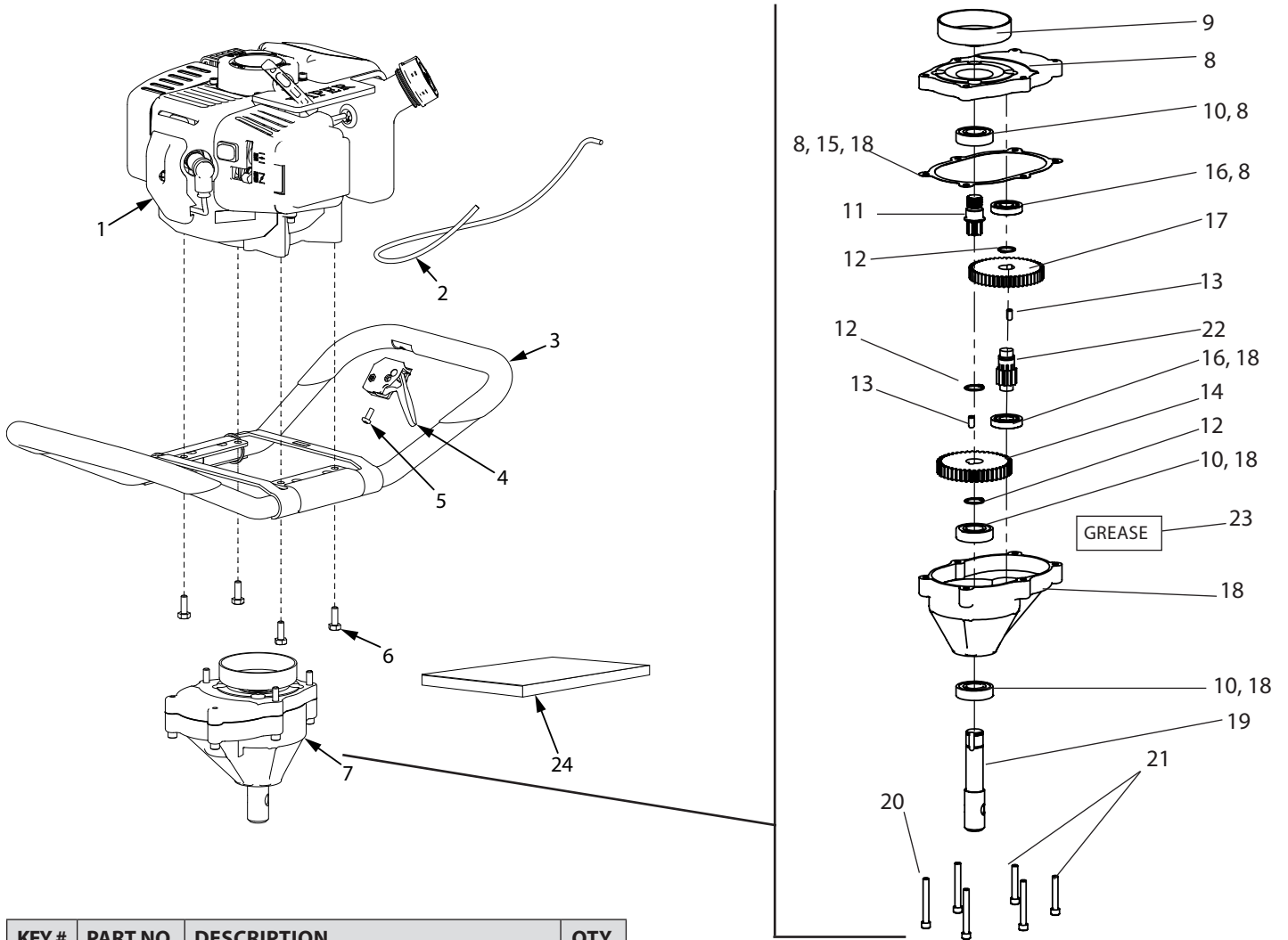
English:Pages 1-20

Español: Páginas 21-42

Français:Pages 43-64



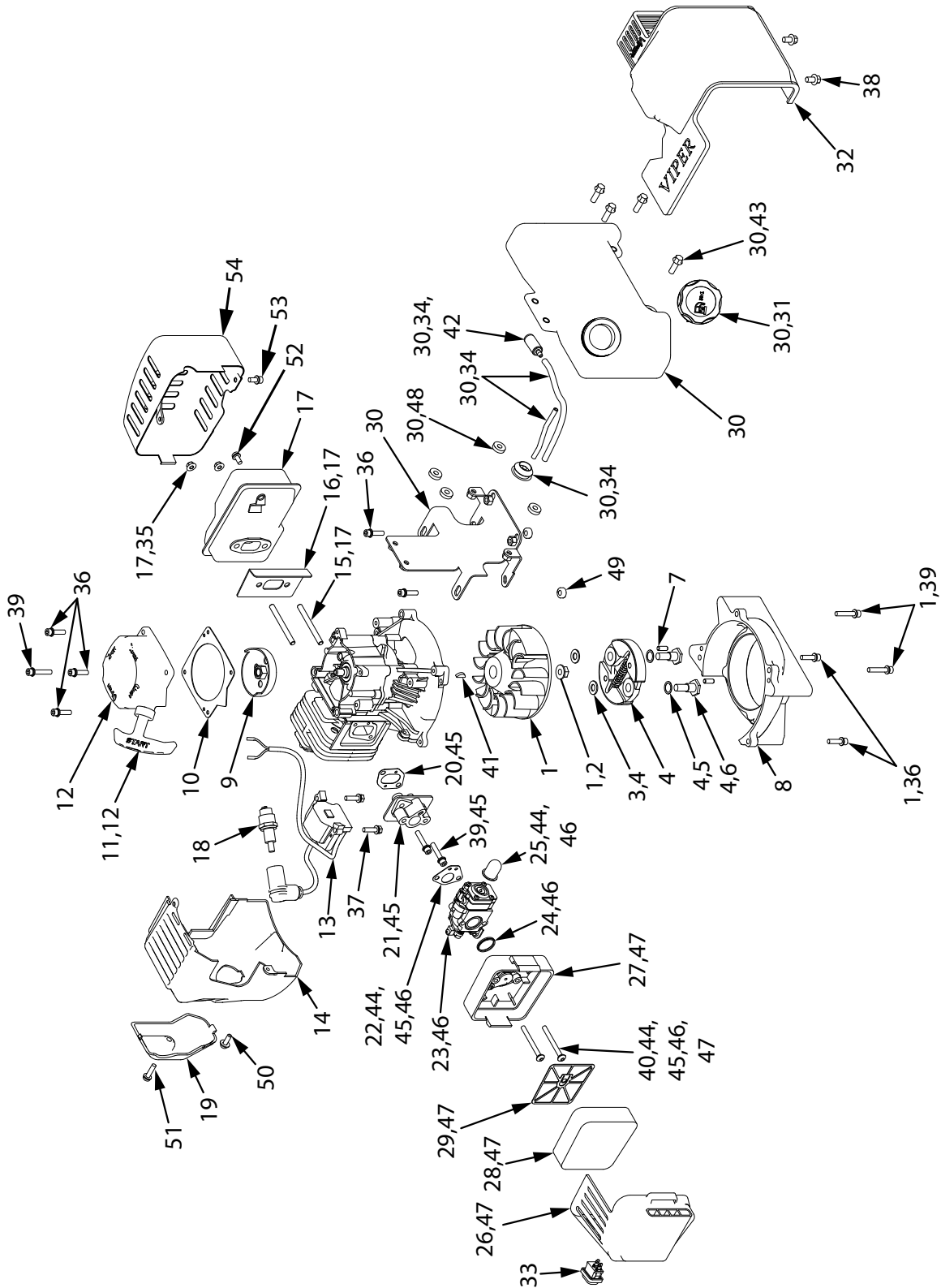
POWERHEAD & AUGER PARTS



| KEY # | PART NO. | DESCRIPTION | QTY. |
|-------|----------|--------------------------------------|------|
| 1 | 30014 | ENGINE VIPER 43CC | 1 |
| 2 | 14644 | THROTTLE CABLE, E43 | 1 |
| 3 | 4828 | HANDLEBAR THREADED | 1 |
| 4 | 4825 | ASSEMBLY TRIGGER LONG THROW | 1 |
| 5 | 4827 | BOLT 10-24 X 1/2 PPHMS GR5 ZN F-T | 1 |
| 6 | 8930B | BOLT 1/4-20 X 3/4 HH GR5 BLK ZN | 4 |
| 7 | 3004119 | TRANSMISSION ASSEMBLY 30:1 | 1 |
| 8 | 75300 | KIT TOP CASTING | 1 |
| 9 | 3004100 | CLUTCH DRUM | 1 |
| 10 | 8922 | BALL BEARING R12 DOUBLE LIP | 3 |
| 11 | 9814 | GEAR 7T PINION THREADED, 5/8" THREAD | 1 |
| 12 | 8924 | SNAP RING | 3 |
| 13 | 8915 | DOWEL PIN STEEL 1/4" X 1/2" | 2 |

| KEY # | PART NO. | DESCRIPTION | QTY. |
|-------|----------|----------------------------|------|
| 14 | 8912 | GEAR 44T 3/4" HOLE | 1 |
| 15 | 8919 | GASKET | 1 |
| 16 | 8923 | BALL BEARING R10 | 2 |
| 17 | 8914 | GEAR 48T HARD | 1 |
| 18 | 75600 | KIT LOWER CASTING | 1 |
| 19 | 8913 | SHAFT OUTPUT 7/8" | 1 |
| 20 | 8931F | BOLT 1/4-20 X 2 SHCS F-T | 4 |
| 21 | 8929 | BOLT 1/4-20 X 1-1/2 SHCS | 2 |
| 22 | 9214A | GEAR 10T CLUSTER PINION HT | 1 |
| 23 | 11468 | GREASE EP2 MOLY | 1 |
| 24 | 30000 | MANUAL PARTS BAG | 1 |

ENGINE PARTS



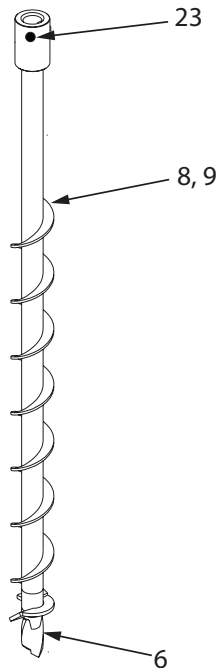
ENGINE PARTS LIST

| KEY NO. | PART NO. | DESCRIPTION | QTY. |
|---------|----------|--------------------------------------|------|
| 1 | 11209 | FLYWHEEL, MAGNETO | 1 |
| 2 | 300337 | NUT, FLANGE M8 | 1 |
| 3 | 300462 | WASHER, ROTOR | 2 |
| 4 | 11235 | CLUTCH ROTOR ASSEMBLY W/SPRING | 1 |
| 5 | 300449 | WASHER, SPRING | 2 |
| 6 | 300450 | BOLT, SHOULDER | 2 |
| 7 | 300467 | PIN, LOCATING | 2 |
| 8 | 3004110 | MOUNT RING & SHROUD | 1 |
| 9 | 300491 | RECOIL CLUTCH | 1 |
| 10 | 300429 | PLATE, RECOIL | 1 |
| 11 | 3004121 | HANDLE, RECOIL (STANDARD) | 1 |
| 12 | 300430 | RECOIL ASSEMBLY WITH STANDARD HANDLE | 1 |
| 13 | 26579 | IGNITION COIL | 1 |
| 14 | 300482 | SHROUD, ENGINE | 1 |
| 15 | 300493 | BOLT, STUD M6 X 62MM | 2 |
| 16 | 300475 | GASKET, MUFFLER | 1 |
| 17 | 25977 | MUFFLER, SHIELD, AND GASKET | 1 |
| 18 | 35906 | SPARK PLUG L7RTC | 1 |
| 19 | 300483 | COVER, ENGINE SHROUD | 1 |
| 20 | 300476 | GASKET, INTAKE | 1 |
| 21 | 300478 | WINDPIPE, INTAKE 43CC/51CC | 1 |
| 22 | 300479 | GASKET, CARBURETOR | 1 |
| 23 | 15261 | CARBURETOR | 1 |
| 24 | 300481 | O-RING, CARBURETOR | 1 |
| 25 | 3004109 | PRIMER BULB | 1 |
| 26 | 3004158 | COVER, AIR FILTER | 1 |
| 27 | 3004150 | AIR FILTER ASSEMBLY | 1 |
| 28 | 3004156 | FOAM, AIR FILTER | 1 |

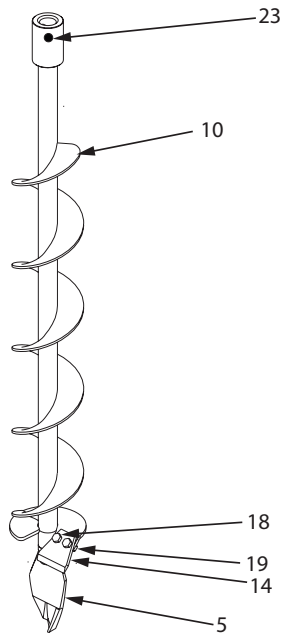
| KEY NO. | PART NO. | DESCRIPTION | QTY. |
|---------|----------|--|------|
| 29 | 3004157 | PLATE, REINFORCEMENT | 1 |
| 30 | 10683 | GAS TANK KIT (INCLUDES TANK, GROMMET, FUEL LINE, FUEL FILTER AND GAS CAP.) | 1 |
| 31 | 11936 | GAS CAP, MANUAL VENTING | 1 |
| 32 | 300332 | SHROUD, GAS TANK | 1 |
| 33 | 1021 | SWITCH, ROCKER | 1 |
| 34 | 3004105 | KIT FUEL LINE TWO HOLE GROMMET | 1 |
| 35 | 300492 | NUT, FLANGE M6 | 2 |
| 36 | 17946 | BOLT W/WASHER M5 X 20MM | 7 |
| 37 | 300335 | BOLT W/WASHER PHILLIPS HH | 2 |
| 38 | 300336 | BOLT HH M6 X 10MM | 2 |
| 39 | 17952 | BOLT W/WASHER M5 X 28MM | 5 |
| 40 | 15209 | BOLT M5 X 50MM | 2 |
| 41 | 300338 | KEY, FLYWHEEL | 1 |
| 42 | 3004103 | FILTER, FUEL | 1 |
| 43 | 4647 | BOLT M6 X 18MM | 4 |
| 44 | 3004114 | KIT, CARBURETOR | 1 |
| 45 | 11205 | KIT INTAKE MANIFOLD | 1 |
| 46 | 11334 | KIT CARBURETOR REPLACEMENT | 1 |
| 47 | 11350 | KIT AIR FILTER ASSEMBLY | 1 |
| 48 | 11190 | SPACER M5 X 4 NYLON | 4 |
| 49 | 11189 | SPACER M5 X 5 | 2 |
| 50 | 10887 | BOLT W/WASHER M5 X 16MM | 1 |
| 51 | 300439 | BOLT W/WASHER M5 X 20MM | 1 |
| 52 | 17888 | BOLT W/WASHER M5 X 12MM SOCKET | 1 |
| 53 | 300471 | BOLT W/WASHER M5 X 12MM | 1 |
| 54 | 4812 | SHROUD, MUFFLER | 1 |
| 55 | 30029 | 3000-6000 FT ALTITUDE KIT | 1 |
| 56 | 30034 | 6000-8000 FT ALTITUDE KIT | 1 |

AUGER PARTS EXPLOSIONS

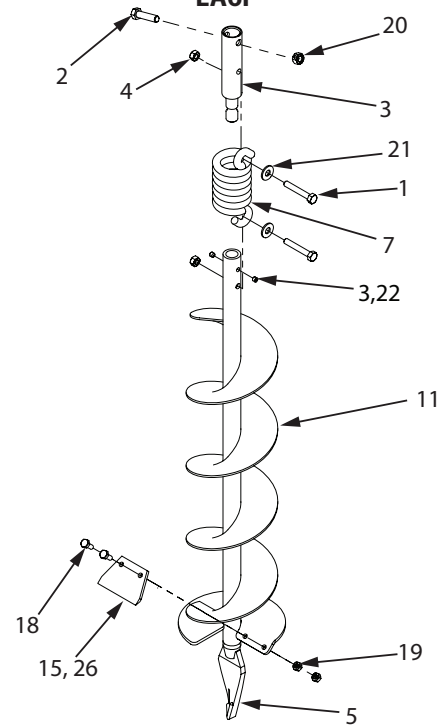
EA2F, EA3F



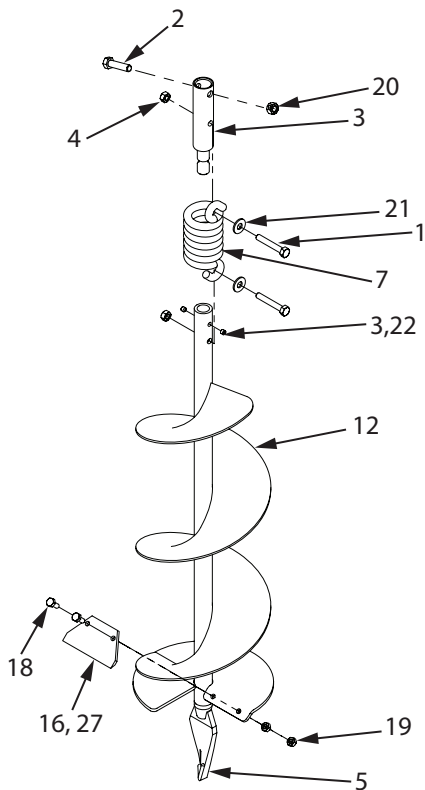
EA4F



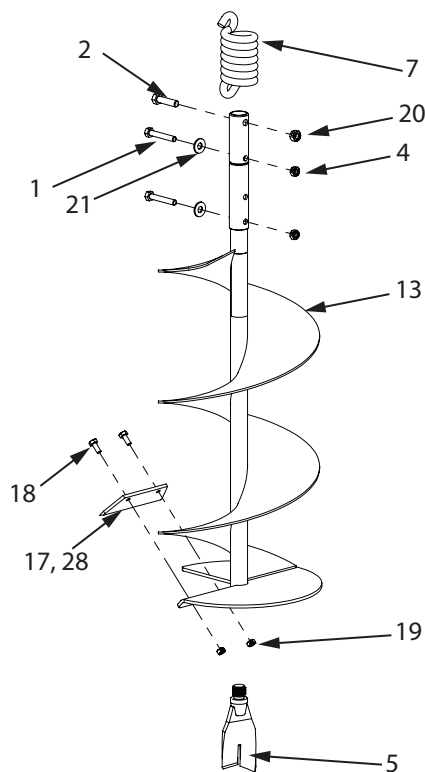
EA6F



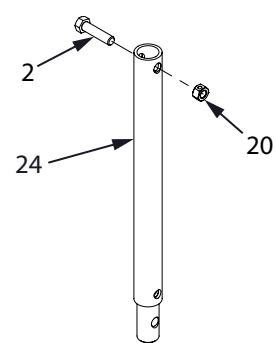
EA8F



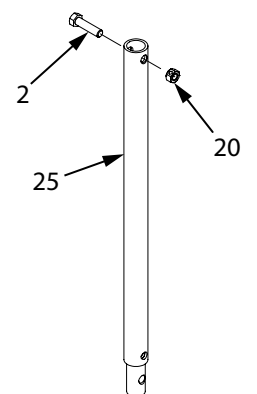
EA10F



EXT12



EXT18



AUGER PARTS LIST

| KEY NO. | PART NO. | DESCRIPTION | QTY. |
|---------|----------|---|------|
| 1 | 1423 | BOLT-HHCS, 5/16-18 X 2", GRADE 5 (auger shock spring) | 2 |
| 2 | 1433 | BOLT-HHCS, 3/8-16 X 1-1/2" (auger to powerhead) | 2 |
| 3 | 53684 | SHOCK TOP 1-PC (used on 6" and 8" earth augers) | 1 |
| 4 | 60G56 | NUT-HEX 2-WAY REVERSIBLE LOCK-NUT, 5/16-18 | 2 |
| 5 | 8958HD | FISHTAIL POINT (used on 4" or larger earth auger) | 1 |
| 6 | 8970 | EARTH POINT (used on 2" & 3" earth auger) | 1 |
| 7 | 8980 | SHOCK SPRING (Used on 6" and larger earth augers) | 1 |
| 8 | EA2F | EARTH AUGER, 2" W/FISHTAIL POINT | 1 |
| 9 | EA3F | EARTH AUGER, 3" W/FISHTAIL POINT | 1 |
| 10 | EA4F | EARTH AUGER, 4" W/FISHTAIL POINT | 1 |
| 11 | EA6F | EARTH AUGER, 6" W/FISHTAIL POINT | 1 |
| 12 | EA8F | EARTH AUGER, 8" W/FISHTAIL POINT | 1 |
| 13 | EA10F | EARTH AUGER, 10" W/FISHTAIL POINT | 1 |
| 14 | EB4 | EARTH BLADE, 4" (includes EBOLT & ENUT) | 1 |
| 15 | EB6 | EARTH BLADE, 6" (includes EBOLT & ENUT) | 1 |
| 16 | EB8 | EARTH BLADE, 8" (includes EBOLT & ENUT) | 1 |
| 17 | EB10 | EARTH BLADE, 10" (includes EBOLT & ENUT) | 1 |
| 18 | EBOLT | BOLT-HEX, 1/4-28 X 5/8", GRADE 5 (earth blade to auger) | 2 |
| 19 | ENUT | NUT-NYLOC, 1/4-28 | 2 |
| 20 | 2104 | NUT HEX LOCKING, 3/8-16 | 2 |

| KEY NO. | PART NO. | DESCRIPTION | QTY. |
|---------|----------|---|------|
| 21 | WF516 | WASHER-FLAT, 5/16" | 2 |
| 22 | 715 | SET SCREW 1/4-20 X 1/4 SCPC BLK OXIDED | 2 |
| 23 | 8955 | BOLT 3/8-16 X 1-1/4 SHCS | 1 |
| 24 | EXT12 | DEPTH EXTENSION, 12" | 1 |
| 25 | EXT18 | DEPTH EXTENSION, 18" | 1 |
| 26 | EB6HD | HEAVY DUTY EARTH BLADE, 6" (includes EBOLT & ENUT) | 1 |
| 27 | EB8HD | HEAVY DUTY EARTH BLADE, 8" (includes EBOLT & ENUT) | 1 |
| 28 | EB-10HD | HEAVY DUTY EARTH BLADE, 10" (includes EBOLT & ENUT) | 1 |