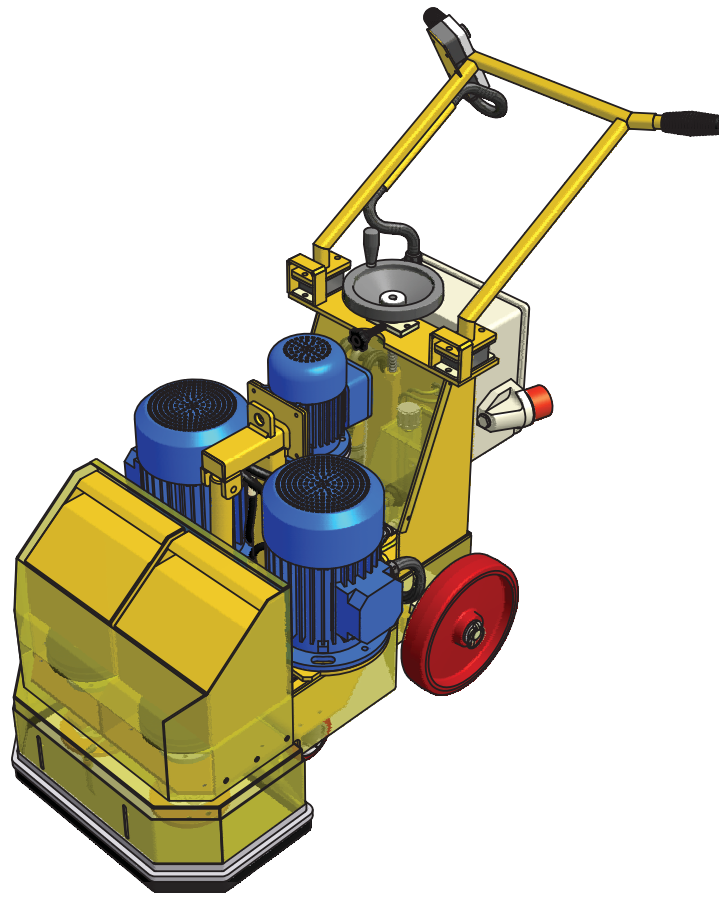
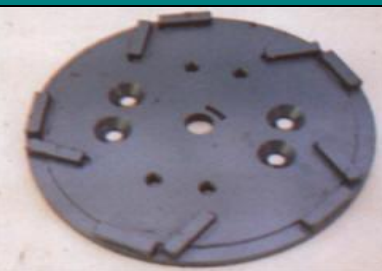


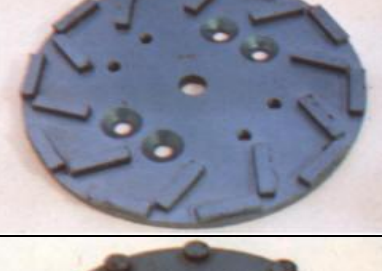
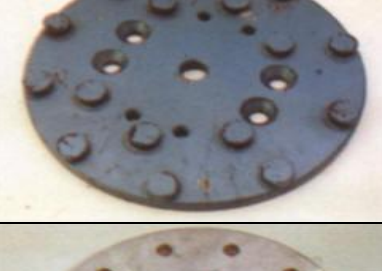



DFG500-1
Single Speed
Diamond Floor Grinder
Operating Manual





DFG 500

	Part No	Description	Application
	6401	Economy grade 250mm 10 segment (blue)	Economical removal of most types of adhesives and surface contaminants. Excellent for using on rougher surfaces as a first grind. Can be used wet or dry.
	6402	Super Aggressive 250mm 10 segment (red)	Designed for the removal of S/L and epoxy coatings in a commercially viable way. Can be used for the majority of aggressive grinding applications and will give extended wear on heads. Can be used wet or dry.
	6403	Standard Grade 250mm 16 segment (blue)	Removal and grinding of most types of concrete floor in preparing for follow on coatings. General all purpose head for most grinding works. Can be used wet or dry.
	6404	High performance 250mm 20 segment (blue)	Fast removal and grinding of most types of plain and painted concrete floors. Will key floors for coatings, removal of high spots, lip edges etc. Suitable for first and second stage grinding to terrazzo and aggregated seamless floors. Can be used wet or dry.
	6405	Button head 250mm 16 segment (blue)	For the removal of the thicker adhesive on sand / cement screed whether open or closed. Will cope with large volume areas in a cost effective manner. To be used with softer elastomeric and thin film coatings.
	6408	Polymer diamond backing plate	Backing drive plate for the polymer diamond system. Takes 16 polymer button inserts.

ACCESSORIES

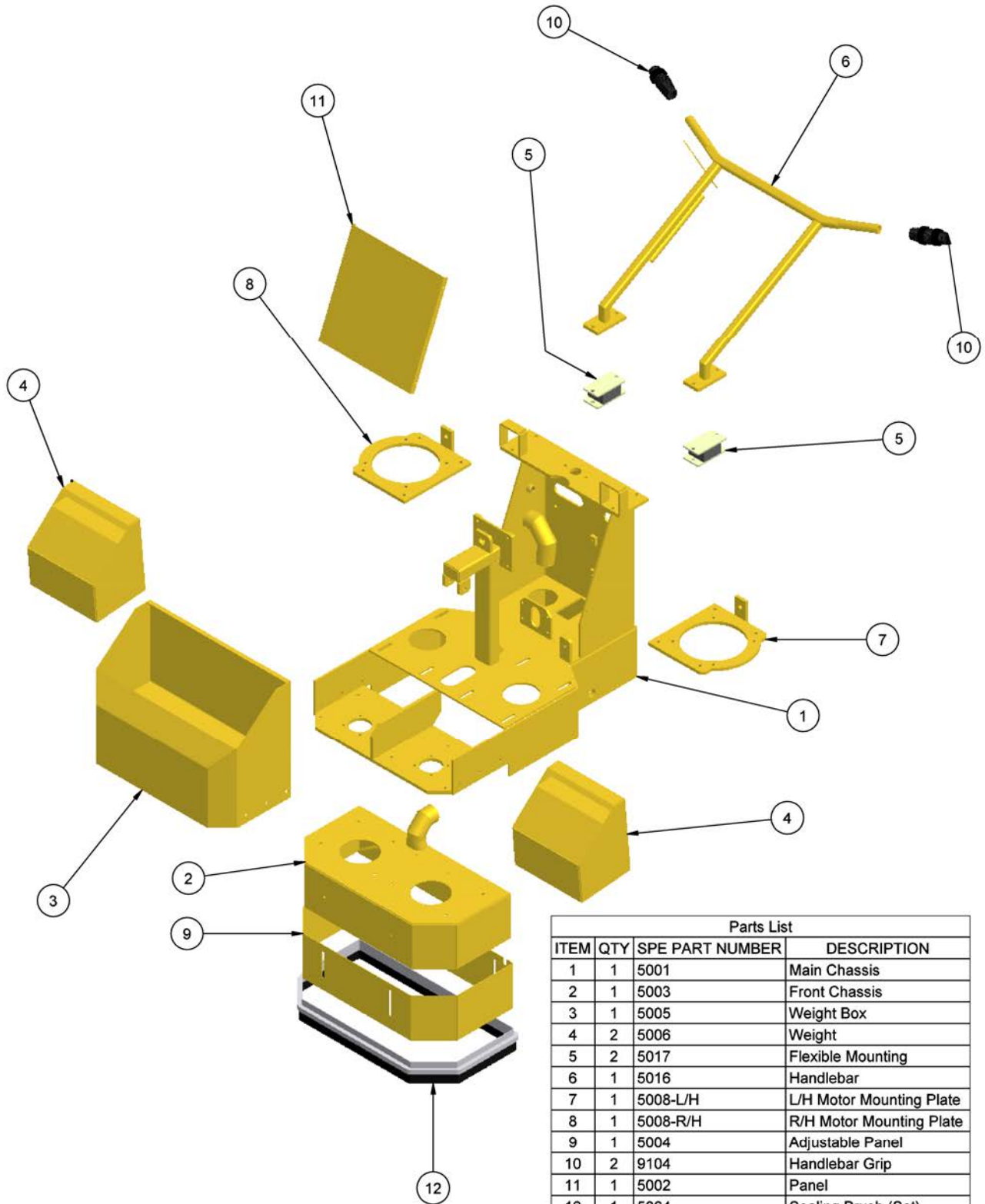
DFG500 - 1 Operating Manual

	<p>6420 6409 6410 6411 6412 6413 6414</p>	<p>GREEN ULTRA COARSE 16no BLACK EXTRA COARSE 16no BROWN COARSE 16no RED MEDIUM 16no YELLOW FINE 16no WHITE EXTRA FINE 16no BLUE ULTRA FINE 16no</p>	<p>Polymer diamond system to be used only on the DFG 500 twin speed (slow speed option) for second stage grinding and polishing of terrazzo, stone and marble etc. The buttons fit securely into the aluminium backing plate. Wet use only.</p>
	<p>6422 6423</p>	<p>COARSE STEEL POLYMER 16No MEDIUM STEEL POLYMER 16No</p>	<p>Steel polymer diamond system to be used on DFG 500 twin speed (slow speed option). For second stage grinding and finishing of cementitious, polyurethane and epoxy based terrazzo, terrazzo tiles and concrete flooring. Provides rapid action and long life. Wet use only.</p>
	<p>6403C</p>	<p>Fine grit 250mm 16 segment (purple)</p>	<p>Finishing and polishing of cementitious polyurathane, epoxy based terrazzo, terrazzo tiles and decorative aggregated concrete flooring. Can be used wet or dry.</p>
	<p>6415</p>	<p>Carborundum grinding and wire brush block holder drive plate.</p>	<p>Drive plate for the carborundum grinding blocks and wire brush blocks.</p>
	<p>6416 6417 6418</p>	<p>Carborundum grinding blocks Fine Medium Coarse</p>	<p>For economical polishing and grinding removal of high spots, over watered slabs, rain damaged slabs, lip edges etc.</p>
	<p>6419 6421</p>	<p>16 gauge round wire block Spring steel block</p>	<p>General scuffing, removal of rubber carpet backing, grease and oil build-up without damage to substrate.</p>



DFG500 - 1
Operating Manual

Spare Parts Breakdown



Parts List			
ITEM	QTY	SPE PART NUMBER	DESCRIPTION
1	1	5001	Main Chassis
2	1	5003	Front Chassis
3	1	5005	Weight Box
4	2	5006	Weight
5	2	5017	Flexible Mounting
6	1	5016	Handlebar
7	1	5008-L/H	L/H Motor Mounting Plate
8	1	5008-R/H	R/H Motor Mounting Plate
9	1	5004	Adjustable Panel
10	2	9104	Handlebar Grip
11	1	5002	Panel
12	1	5064	Sealing Brush (Set)

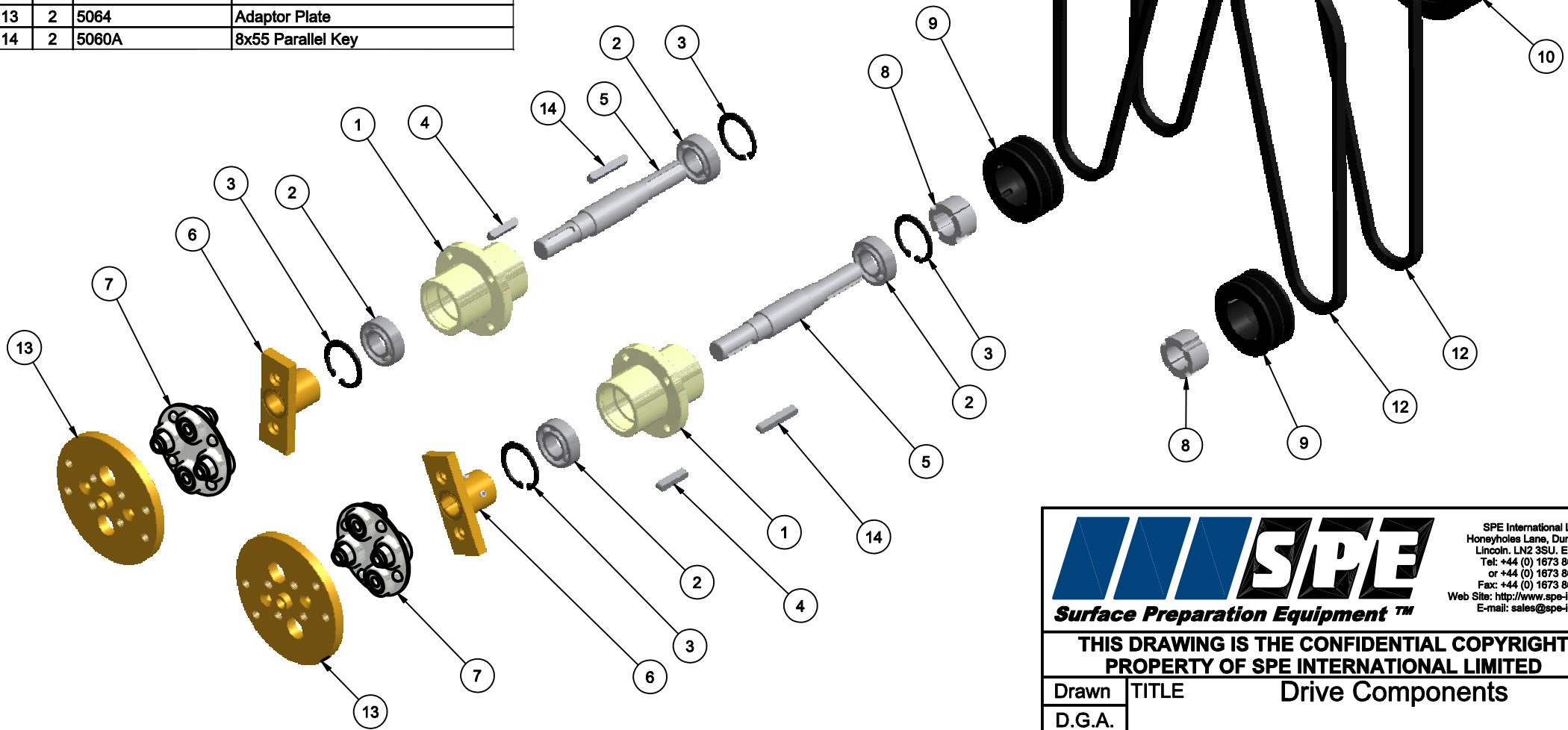
SPE International Limited
 Honeyholes Lane, Dunholme
 Lincoln, LN2 3SU, England
 Tel: +44 (0) 1673 860 709
 or +44 (0) 1673 860 330
 Fax: +44 (0) 1673 861 119
 Web Site: <http://www.spe-int.com>
 E-mail: sales@spe-int.com

THIS DRAWING IS THE CONFIDENTIAL COPYRIGHT PROPERTY OF SPE INTERNATIONAL LIMITED

Drawn	TITLE		Body Components
D.G.A.			
Checked	Drawing No.	MACHINE	
B.J./P.A.	DFG-500_Bdy-01	DFG 500-1	

This drawing should not be used, copied, shown or handed to a third party without the prior written consent of SPE International Ltd.

Parts List			
ITEM	QTY	SPE PART NUMBER	DESCRIPTION
1	2	5057	Bearing Housing
2	4	5058	Bearing
3	4	5059	Int. Circlip
4	2	5061	8x40 Parallel Key
5	2	5060	Shaft
6	2	5062	Connector
7	2	5063	Flexi Coupling
8	2	08037	Taper Lock Bush [1210 - 28mm]
9	2	08029	Drive Pulley
10	2	5055	Driven Pulley
11	2	5056	Taper Lock Bush [2012 - 24mm]
12	4	5054	Drive Belt
13	2	5064	Adaptor Plate
14	2	5060A	8x55 Parallel Key



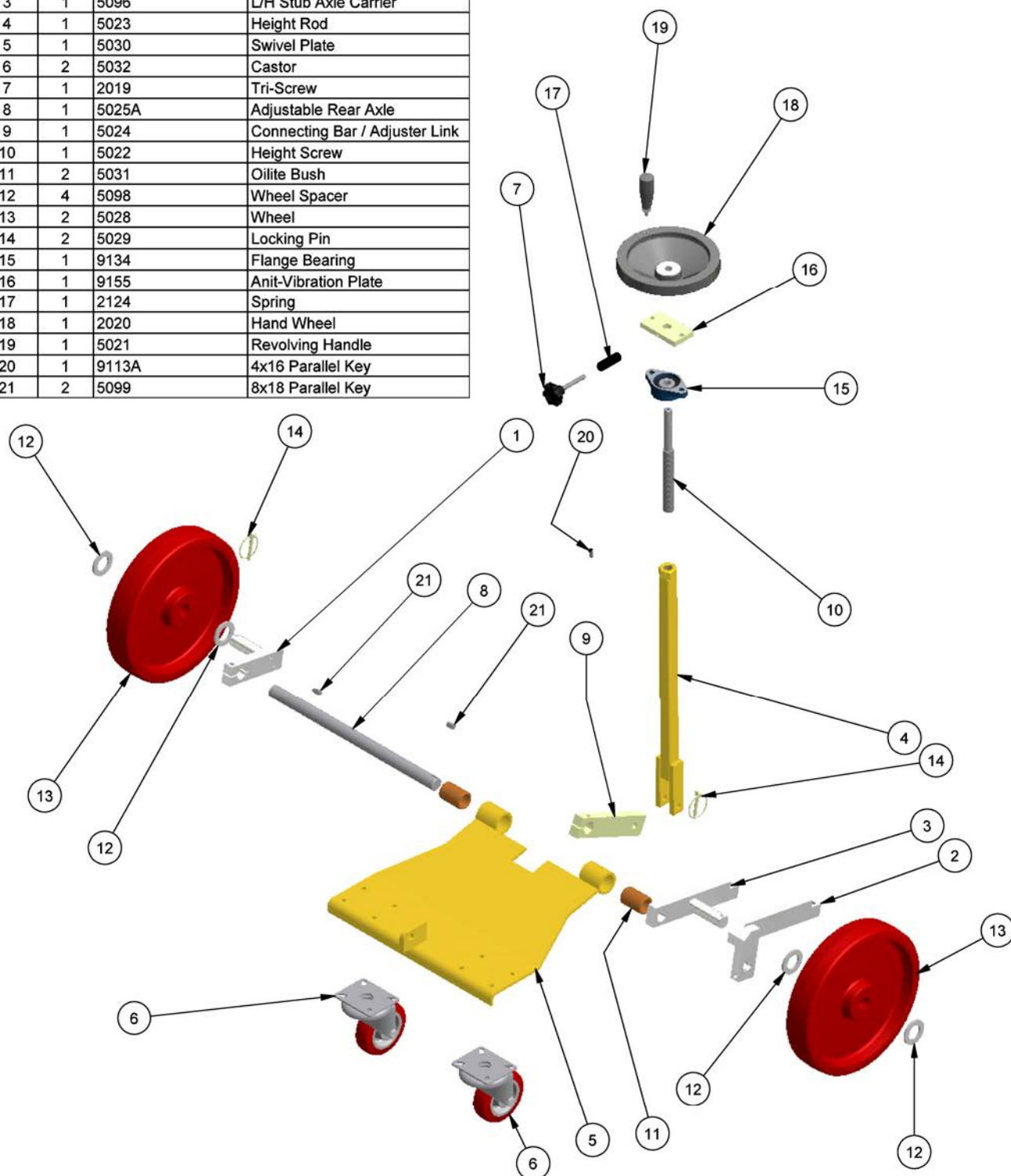

SPE
Surface Preparation Equipment™

SPE International Limited
Honeyholes Lane, Dunholme
Lincoln. LN2 3SU, England
Tel: +44 (0) 1673 860 709
or +44 (0) 1673 860 330
Fax: +44 (0) 1673 861 119
Web Site: <http://www.spe-int.com>
E-mail: sales@spe-int.com

THIS DRAWING IS THE CONFIDENTIAL COPYRIGHT PROPERTY OF SPE INTERNATIONAL LIMITED		
Drawn	TITLE	Drive Components
D.G.A.		
Checked	Drawing No.	MACHINE
B.J./P.A.	DFG-500_Drv-01	DFG 500-1

This drawing should not be used, copied, shown or handed to a third party without the prior written consent of SPE International Ltd.

Parts List			
ITEM	QTY	SPE PART NUMBER	DESCRIPTION
1	1	5097	R/H Stub Axle
2	1	5095	L/H Stub Axle Adjuster
3	1	5096	L/H Stub Axle Carrier
4	1	5023	Height Rod
5	1	5030	Swivel Plate
6	2	5032	Castor
7	1	2019	Tri-Screw
8	1	5025A	Adjustable Rear Axle
9	1	5024	Connecting Bar / Adjuster Link
10	1	5022	Height Screw
11	2	5031	Oilite Bush
12	4	5098	Wheel Spacer
13	2	5028	Wheel
14	2	5029	Locking Pin
15	1	9134	Flange Bearing
16	1	9155	Anit-Vibration Plate
17	1	2124	Spring
18	1	2020	Hand Wheel
19	1	5021	Revolving Handle
20	1	9113A	4x16 Parallel Key
21	2	5099	8x18 Parallel Key



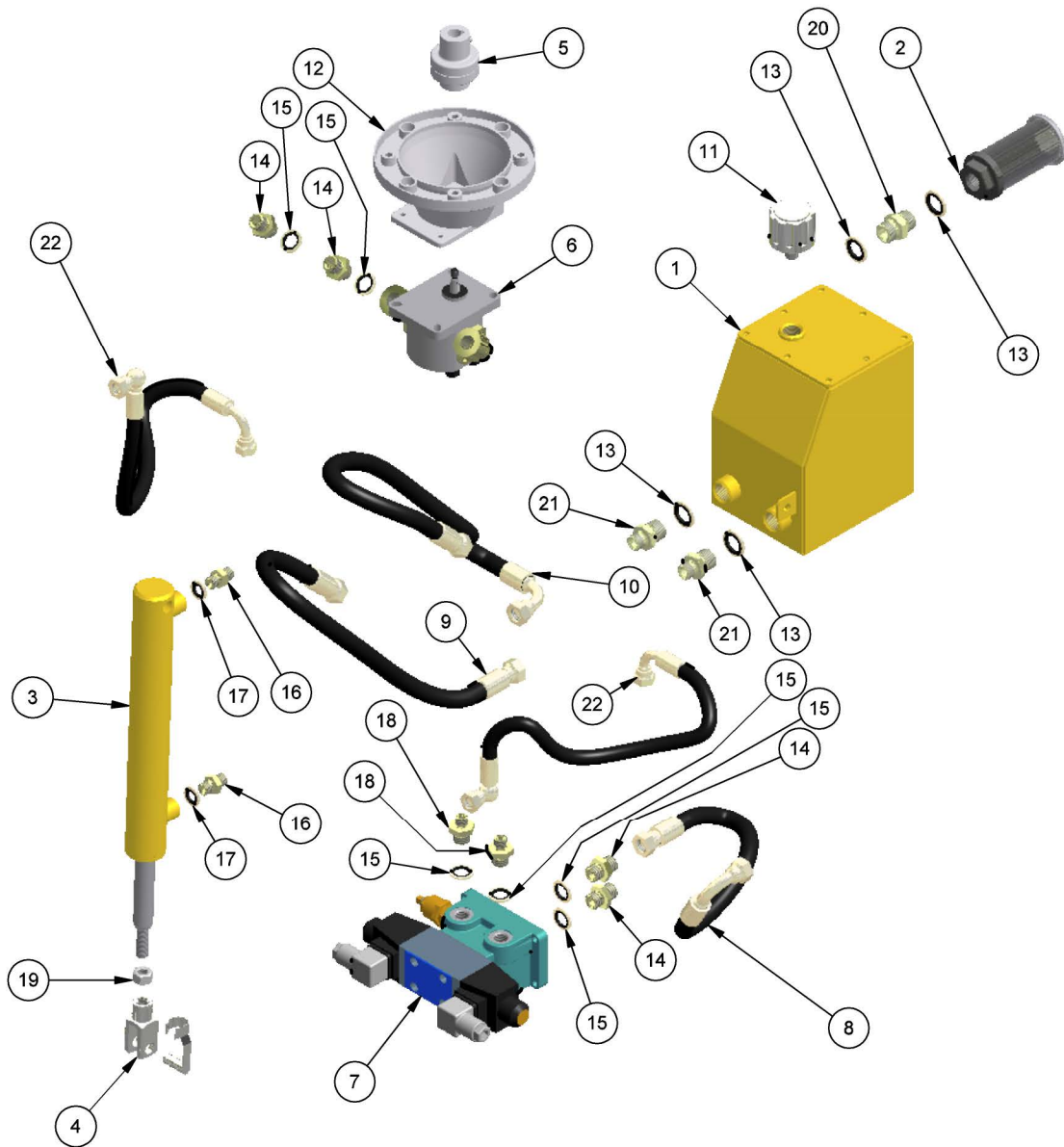

Surface Preparation Equipment™

SPE International Limited
 Honeyholes Lane, Dunholme
 Lincoln, LN2 3SU, England
 Tel: +44 (0) 1673 860 709
 or +44 (0) 1673 860 330
 Fax: +44 (0) 1673 861 119
 Web Site: <http://www.spe-int.com>
 E-mail: sales@spe-int.com

THIS DRAWING IS THE CONFIDENTIAL COPYRIGHT PROPERTY OF SPE INTERNATIONAL LIMITED

Drawn	TITLE Undercarriage Components	
D.G.A.		
Checked	Drawing No.	MACHINE
B.J./P.A.	DFG-500_Unc-01	DFG 500-1

This drawing should not be used, copied, shown or handed to a third party without the prior written consent of SPE International Ltd.



Parts List			
ITEM	QTY	SPE PART NUMBER	DESCRIPTION
1	1	5033	Hydraulic Oil Tank
2	1	3036	1/2" Tank Filter
3	1	5041	Cylinder
4	1	9122	Clevis Assembly
5	1	5047	Flexi-Coupling
6	1	5050	Pump
7	1	5039	Solenoid Valve
8	1	5043	Hose (Tank to Sol. Valve)
9	1	5036	Hose (Tank to Pump)
10	1	5038	Hose (Pump to Sol. Valve)
11	1	5034	Filler Cap
12	1	5048	Bell Housing
13	4	DW 08	3/8" Dowty Washer
14	4	ADAPT 002	3/8" m-m Hyd. Adaptor
15	6	DW 06	3/8" Dowty Washer
16	2	5042	1/4" Flow Restrictor
17	2	DW 04	1/4" Dowty Washer
18	2	ADAPT 006	1/4"x3/8" m-m Hyd. Adaptor
19	1	NUT 001	Hex Nut
20	1	ADAPT 003	1/2" m-m Hyd. Adaptor
21	2	ADAPT 010	3/4"x1/2" m-m Hyd. Adaptor
22	2	5040	Hose (Sol. Valve to Cylinder)

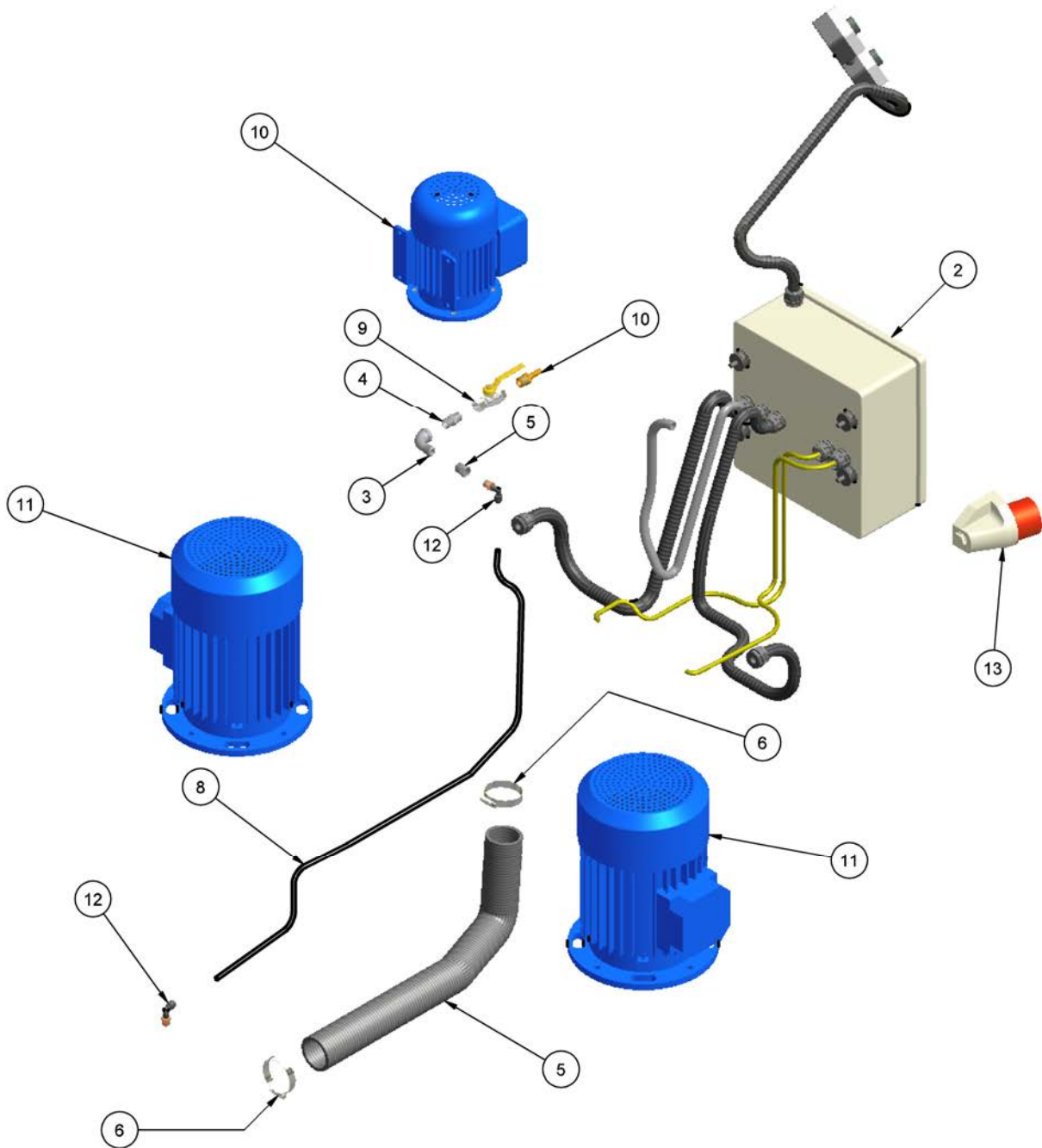


SPE International Limited
 Honeyholes Lane, Dunholme
 Lincoln, LN2 3SU, England
 Tel: +44 (0) 1673 860 709
 or +44 (0) 1673 860 330
 Fax: +44 (0) 1673 861 119
 Web Site: <http://www.spe-int.com>
 E-mail: sales@spe-int.com

THIS DRAWING IS THE CONFIDENTIAL COPYRIGHT PROPERTY OF SPE INTERNATIONAL Ltd.

Drawn	TITLE Hydraulic Components	
D.G.A.		
Checked	Drawing No.	MACHINE
B.J./P.A.	DFG-500_Hyd-01	DFG 500-1

This drawing should not be used, copied, shown or handed to a third party without the prior written consent of SPE International Ltd.

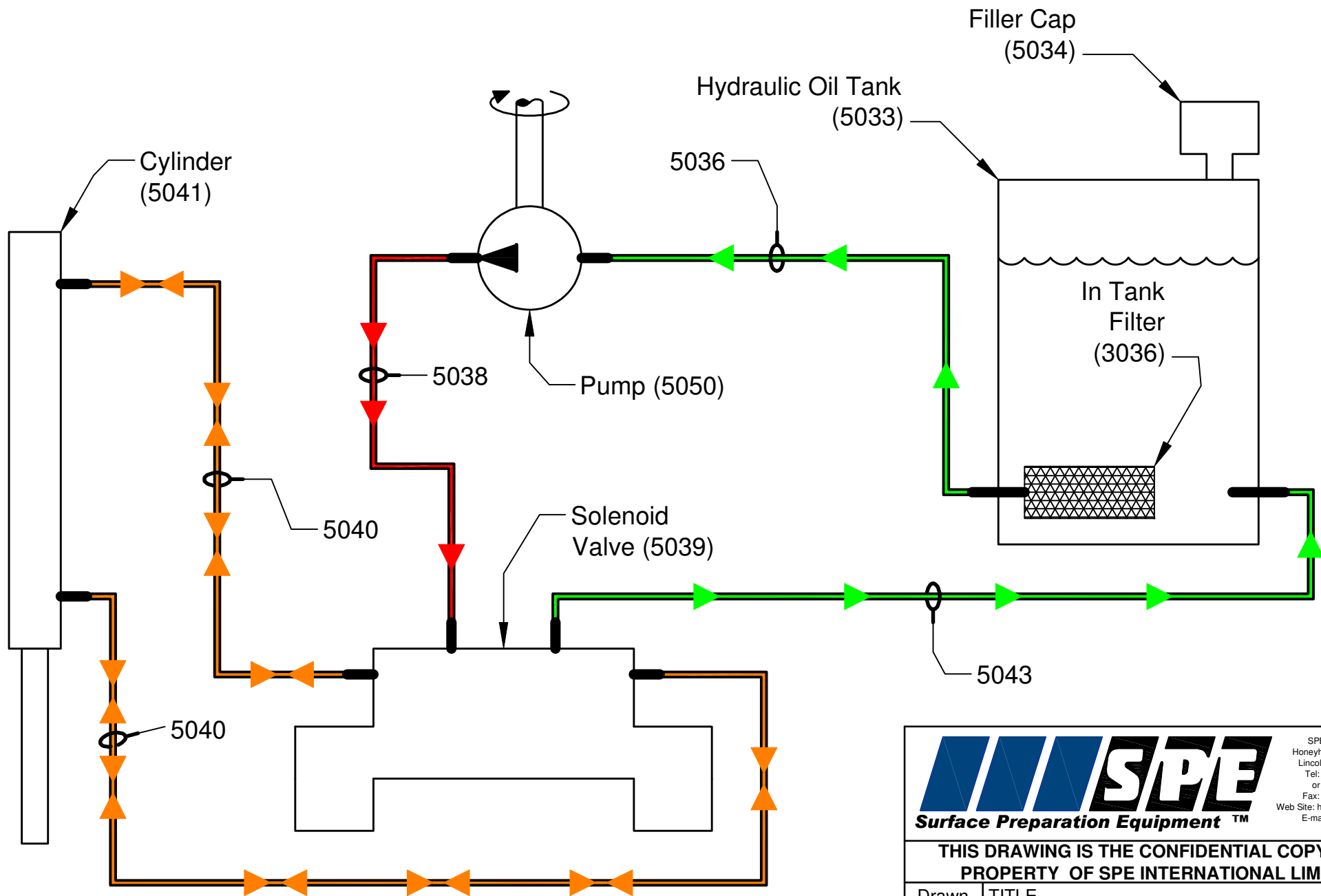


Parts List			
ITEM	QTY	SPE PART NUMBER	DESCRIPTION
1	1	ADAPT 054	M-F Elbow
2	1	ADAPT 051	3/8" Hexagonal Nipple
3	1	ADAPT 056	Reducing Bush
4	2	10078	1/4" Connector
5	1	5009	Vacuum Hose
6	2	HC-60	Hose Clip
7	1	5015	Semi-Rigid Pipe
8	1	5011	Ball Valve
9	1	5100	3/8" Hose Tail
10	1	5049	Motor (Hyd. Pump)
11	1	5020	Electric Panel Assembly
12	2	5051	Drive Motor
13	1	SP630-304	Surface Mounted Plug (3Ph/Rev)

This drawing should not be used, copied, shown or handed to a third party without the prior written consent of SPE International Ltd.

SPE International Limited
 Honeyholes Lane, Dunholme
 Lincoln, LN2 3SU, England
 Tel: +44 (0) 1673 860 709
 or +44 (0) 1673 860 330
 Fax: +44 (0) 1673 861 119
 Web Site: <http://www.spe-int.com>
 E-mail: sales@spe-int.com

THIS DRAWING IS THE CONFIDENTIAL COPYRIGHT PROPERTY OF SPE INTERNATIONAL LIMITED		
Drawn	TITLE Elect., Vac. & Water Components	
D.G.A.		
Checked	Drawing No.	MACHINE
B.J./P.A.	DFG-500_EVW-01	DFG 500-1



SPE International Limited
 Honeyholes Lane, Dunholme
 Lincoln, LN2 3SU, England.
 Tel: +44 (0) 1673 860 709
 or +44 (0) 1673 860 330
 Fax: +44 (0) 1673 861 119
 Web Site: <http://www.spe-int.com>
 E-mail: sales@spe-int.com

**THIS DRAWING IS THE CONFIDENTIAL COPYRIGHT
 PROPERTY OF SPE INTERNATIONAL LIMITED**

Drawn	TITLE	
D.G.A.	Hydraulic Flow and Main Components	
Checked	Drawing No.	Machine
B.J.	DFG-500_Hyd-FI-01	DFG 500-1

This drawing should not be used, copied, shown or handed to a third party without the prior written consent of SPE International Ltd.



DFG SINGLE SPEED ELECTRICAL COMPONENTS

QTY	DESCRIPTION	SPE PART NO.
3	Contactora	SPLC1D18N7
1	Aux Switch	SPLADN40
2	Overload	SPLRD16
1	Stop Switch	SPZB4BZ102
2	Start Switch	SPZB4BZ101
2	Start Button	SPZB4BA3
1	Stop Button	SPZB4BS44
1	Lens	SPZB4BV04
1	Panel Lamp	SPZB4BV5
2	Switch Box	SPXALBO1
4	Contact Switches	SPXENL1111
2	Start Button	SPZA2BA3
1	Up Legend	SPB2BY2307
1	Down Legend	SPB2BY2308
1	Isolator	SPFWA4/3C
1	Transformer	5020A
1	Panel	SP58002
1	Back Panel	SP55802
1	32amp 5pin Rev Appl Plug	SP630 PH



DFG500 - 1 Operating Manual

SPECIFICATION SHEET

Type	DFG 500 Electric
Part number	DFG 500-1
Power output	2 x 5.5 kw
Voltage	380/415
Cycles	50
Head speed r.p.m.	1400
Engine/motor speed r.p.m.	2800
Machine dimensions (mm)	
Length	1400
Width	725
Height	1100
Weight (kg)	300
Ballast weight (kg)	2 x 20
Hydraulic oil	HM46
Tank capacity	3.5 litres

ELECTRICAL REQUIREMENTS

Machine	Volts	Plug size	Cable size (mm)	Norm Cable Length	Transformer	Generator
DFG 500-1	380/415	32 amp 5 pin	4.0 4 core	75 metres	-	20 kva



DFG500 - 1
Operating Manual

RECORD OF NOISE AND VIBRATION ASSESSMENT

Manufacturer:	SPE
Type:	Diamond Floor Grinder
Model No.	DFG500-1
Operation :	Concrete floor surface
Inserted Tool:	2 Diamond Grinding Plates
Running Conditions:	1400 rpm

HAND-ARM VIBRATION

Frequency Weighted Energy Equivalent Accelerations ($a_{h,w}$)

Measurement Position	Acceleration (m/s^2)			
	X axis	Y axis	Z axis	Vector Sum
Handle	1.31	1.14	1.31	2.18

NOISE LEVELS

Sound Power Level (L_{WA})

L_{WA} at Octave Band Centre Frequency (Hz)								Sound Power Level L_{WA}
63	125	250	500	1000	2000	4000	8000	
61.5	80.6	88.4	94.3	93.3	92.2	85.9	73.9	98.8

Operator's Ear

$L_{Aeq,T}$ at Octave Band Centre Frequency (Hz)								Overall Level ($L_{Aeq,T}$)	L_{Peak} dB(C)
63	125	250	500	1000	2000	4000	8000		
46.2	66.3	76.1	81.8	81.2	75	68.5	56.6	85.6	101