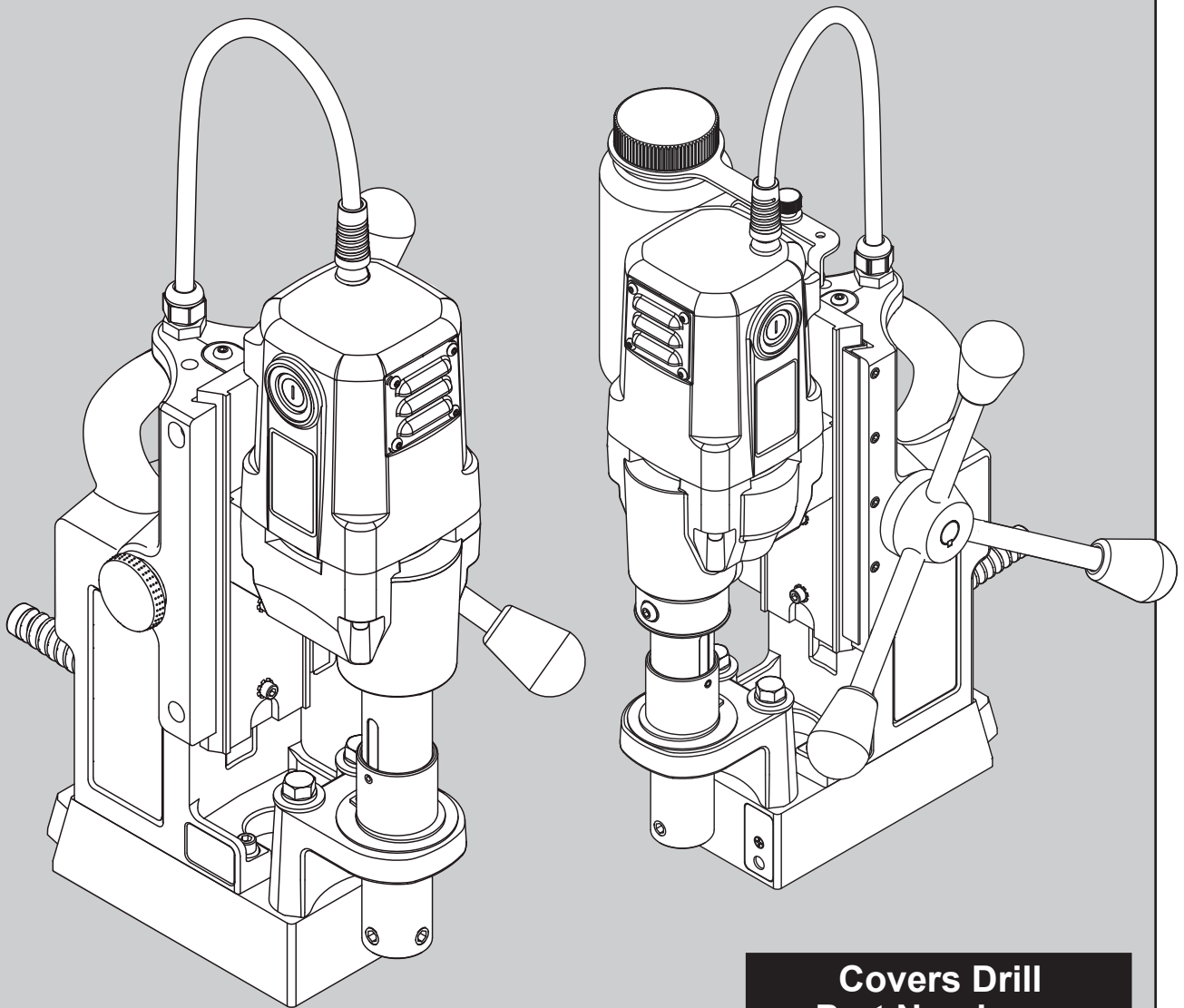




OPERATOR'S MANUAL

HMD904 SERIES PORTABLE MAGNETIC DRILL

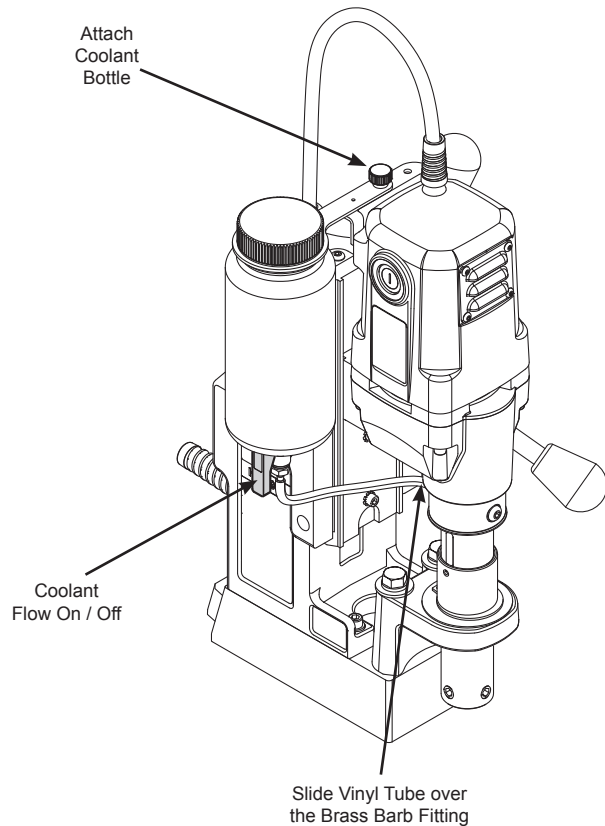


**Covers Drill
Part Numbers:**

0904101

0904102

COOLANT BOTTLE ASSEMBLY



05060 Coolant Bottle Assembly	
Part #	Description
05064	Round Bottle
05059	Coolant Bottle Bracket (Bottle to Bracket)
05061	Thumb Screw (holds bottle bracket to mounting bracket)
05065	Ball Valve
05067	Brass Barb Fitting (bottom of the bottle)
40304	Vinyl Tube
07080	Brass Fitting (vinyl tube to coolant inducer) not included in 05060 kit.

0904101 and 0904102 Breakdowns

Item	Part #	Description	Qty
1	07940	Motor / Slide Assy.	1
3	07941	Non-Coolant Arbor Assy.	1
4	07831	Coolant Arbor Assy.	1
5	07889	Control Panel	1
6	02429	Gib, Brass, Right Hand	1
7	02430	Gib, Brass, Left Hand	1
8	02431	Gib Steel	1
9	07833	Stop Block	1
10	17002	SCR SHC #6-32 x 1/2 LG	1
11	41044	SCR BHC #10-32 x 3/8 LG	4
12	10559	SCR BHC #10-32 x 1-1/4 LG	1
13	10553	SCR SHC 1/4-20 x 7/8 LG	2
14	40077	SCR SHC 1/4-20 x 1" LG	1
15	02460	Hex Bolt 3/8-24 x 2-3/4 LG	2
16	90052	Lock Washer Ext. #6	1
17	90028	Lock Washer Helical 1/4	3
18	40391	Lock Washer Helical 3/8	2
19	40392	Washer Flat 3/8 Type A	2
Accessories Included			
	10565	Hex Key 1/8 wrench	1
	90724	Safety Chain 3/16 X 5' w/Snap Hook	1
	08074	Carrying Case w/Label	1
	24166	7/32" Hex Key for Arbor	1

07882 Magnet Assembly 115V

Item	Part #	Description	Qty
2	07861	Magnet Assembly	1
24	04910	Plunger Assembly	1
25	10971	SCR SHC 1/4-20 x 1/2" LG	2
26	10972	SCR BHC #6-32 x 7/8" LG	2
27	17271	Spring - Taper, Comp.	1
28	04885	Microwitch Assy.	1
29	07887	Plate - Ring Retaining	1
30	24144	D-Ring	1
31	41046	SCR SHC #10-32 x 1/2" LG	4
32	04909	Bracket - Safety Switch	1

07941 Arbor & Front Support Bracket Assy.

Item	Part #	Description	Qty
33	07943	Arbor - Non Coolant	1
34	10517	Ring - Retaining Internal	2
35	07079	Spring Seat	1
36	05049	Spring - Comp	1
37	07162	Collar, Ejector	1
38	40312	Pin-Roll 3/16 dia x 1.564 Altered	1
39	40222	SCR Set 7/16-14 x .305	2
40	40256	SCR Set 5/16-18 x 3/8 Oval Pt	1
41	40398	Ring - Retaining	1
42	40234	Washer, Thrust	2
43	07870	Front Support Bracket Assy.	1

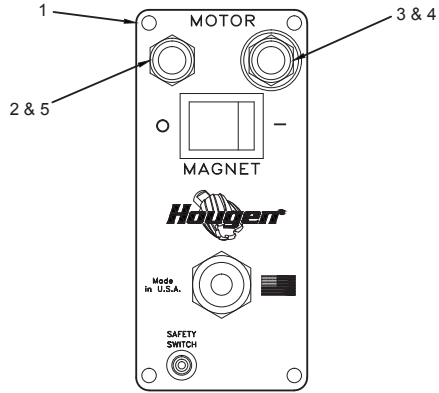
07831 Coolant Arbor Assembly

Item	Part #	Description	Qty
44	07872	Arbor - Coolant	1
45	07162	Collar Ejector	1
46	07079	Spring Seat	1
47	40256	SCR Set 5/16-18 x 3/8 Oval Pt	1
48	10517	Ring - Retaining Internal	2
49	40222	SCR Set 7/16-14 x .305	2
50	40312	Pin-Roll 3/16 dia x 1.564 Altered	1
51	05049	Spring - Comp	1
52	07436	Washer - Rubber	1
53	07440	Washer - Shim 12 x 18 x .5mm	1
54	40302	Ring - Retaining	2
55	40301	Washer, Thrust 1-3/8 x 2-1/16 x 1/32	2
56	07445	Coolant Inducer	1
	40300	O-Ring (<i>not shown</i>)	1
	07080	Hose Fitting (<i>not shown</i>)	1
	07082	SCR BHC 1/4-28 x 1/4 (<i>not shown</i>)	1
57	40398	Ring - Retaining	1
58	40234	Washer, Thrust	2
59	07870	Front Support Bracket Assy.	1

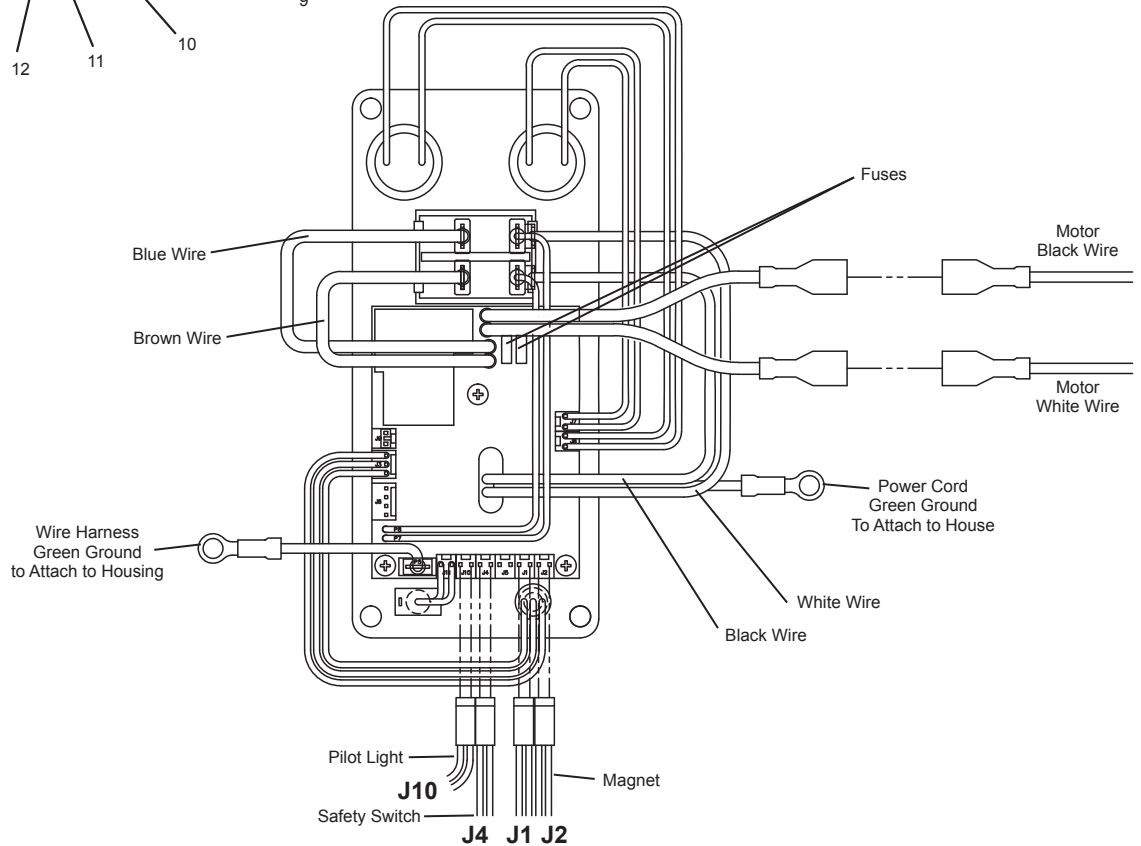
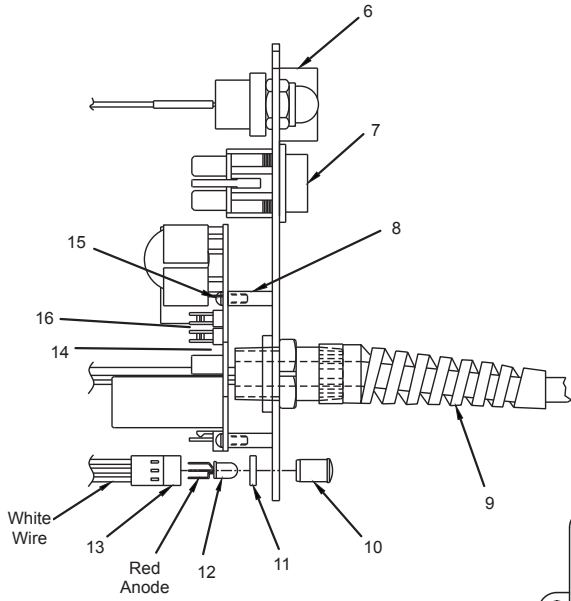
07832 Housing Assembly

Item	Part #	Description	Qty
60	07877	Drill Housing Assembly	1
61	05839	Knob - Comfort Rubber Grip	1
62	40254	Hub Assembly	1
63	10679	Washer - Flat 1/4 Type A	1
64	40237	Gib Screws	5

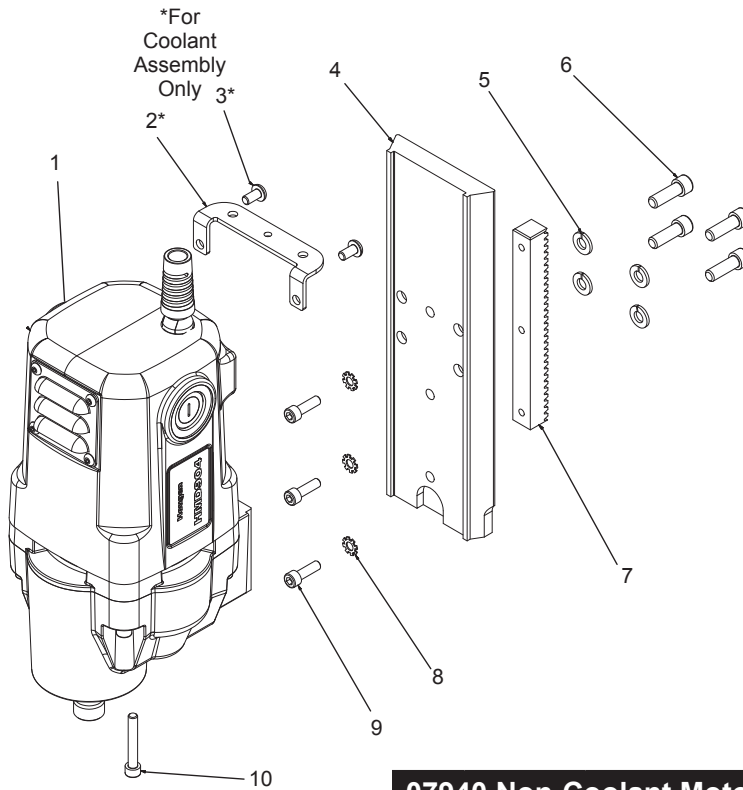
CONTROL PANEL BREAKDOWN & WIRING 115V



08251 115V Panel Assembly			
Item	Part #	Description	Qty
1	07011	Faceplate	1
2	01335	Switch - Motor Off	1
3	01334	Switch - Motor On	1
4	02409	Seal - Green	1
5	01228	Seal - Red	1
6	01226	Guard Switch	1
7	04614	Magnet Switch	1
8	02548	Stand Off	3
9	24073	Power Cord Assembly	1
10	04879	Lens Clear L.E.D.	1
11	04878	Spacer L.E.D.	1
12	04881	Bulb L.E.D.	1
13	04877	Wire Harness L.E.D.	1
14	07947	Circuit Board - 115V	1
15	02547	SCR #4-40 x 5/16 LG	3
16	07522	Fuse	2



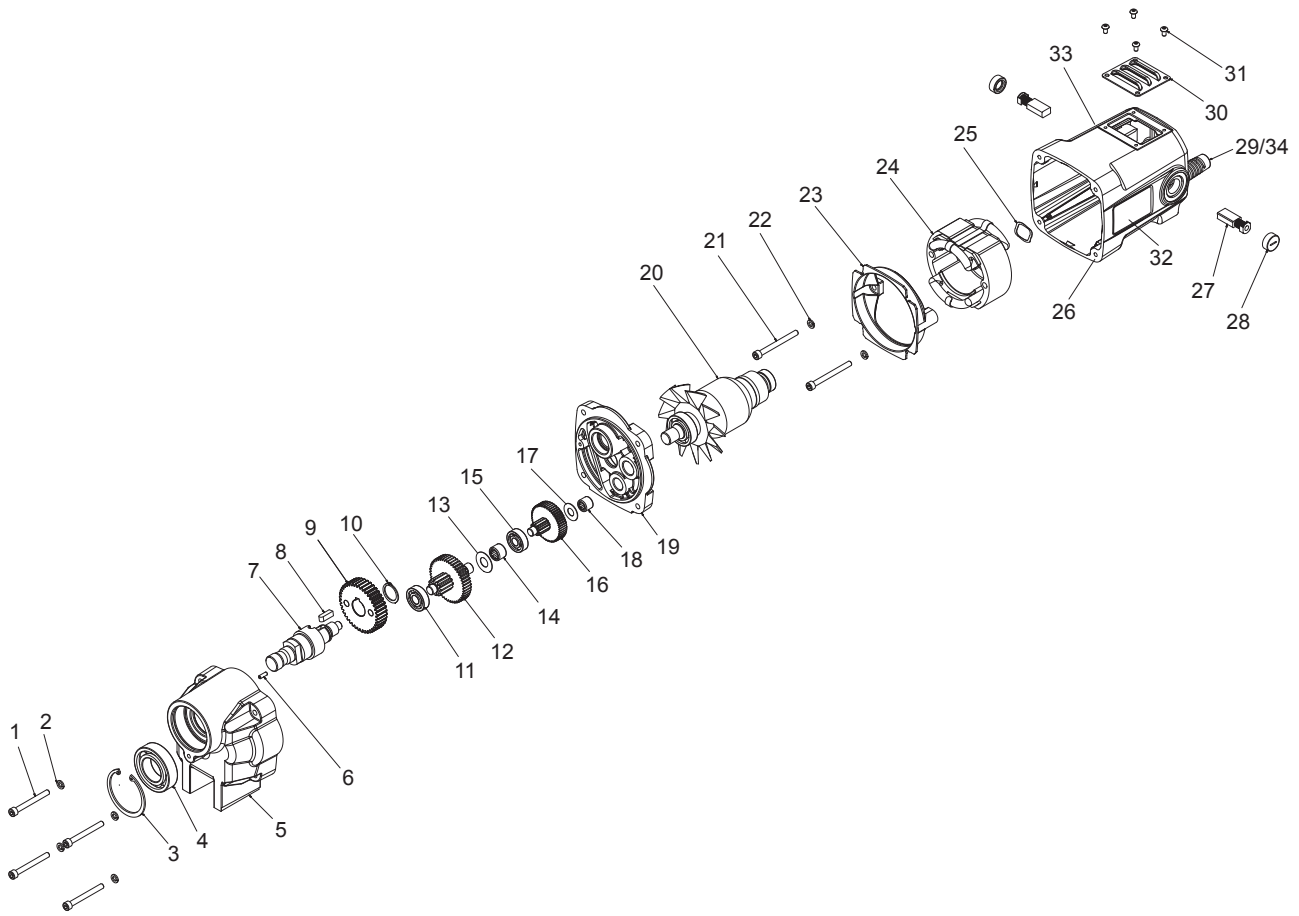
MOTOR SLIDE ASSEMBLY BREAKDOWN



07940 Non-Coolant Motor & Slide Assembly 07830 Coolant Motor & Slide Assembly

Item	Part #	Description	Qty
1	07835	Motor Complete Assembly	1
2	07837	Bracket (for Coolant Assy Only)	1
3	41044	SCR BHC #10-32 x 3/8 LG (for Coolant Assy Only)	2
4	07836	Dovetail Slide	1
5	90028	Lock Washer Helical 1/4	4
6	10624	SCR-SHC 1/4-20 x 3/4	4
7	08001	Rack Gear	1
8	10560	Lock Washer Ext. #10	3
9	40038	SCR SHC #10-32 x 5/8 LG	3
10	51044	SCR SHC #10-32 x 1-1/4 LG	1

MOTOR PARTS DIAGRAM 115V



07835 Motor Assembly

Item	Part #	Description	Qty	Item	Part #	Description	Qty
1	08234	SCR SHC #10-32 X 1-58 LG	4	18	17659	Needle Bearing	1
2	50038	Washer - Lock Helical #10	4	19	07857	Gear Box Cover	1
3	07860	Retaining Ring	1	20	17630	Armature	1
4	40274	Bearing 25mm x 47mm x 12mm	1	21	07849	SCR SHC #10-32 x 2 LG	2
5	08004	Gear Box Housing	1	22	50038	Washer - Lock Helical #10	2
6	01169	Pin - Dowel 1/8 x 3/8	1	23	07846	Baffle	1
7	07859	Spindle - Motor Drive	1	24	08267	Field	1
8	17611	Key	1	25	08000	Washer - Spring	1
9	17609	Spur Gear #6	1	26	07843	Motor / Brush Holder	1
10	17626	Retainer Ring	1	27	17621	Carbon Brush	2
11	17603	Bearing 24mm x 9mm x 7mm	1	28	17622	Cap Brush Holder	2
12	17608	Spur Gear Assy	1	29	40445	Strain Relief	1
13	17613	Washer, Flat 10mm	1	30	07848	Cover - Brush Access	1
14	17660	Needle Bearing	1	31	02385	SCR BHC #6-32 x 1/4	4
15	17602	Bearing 22mm x 8mm x 7mm	2	32	07840	Motor Label	1
16	17607	Spur Gear Assembly	1	33	07841	Specs Label	1
17	17610	Washer - Flat 8mm	1	34	07844	Motor Cord (Not Shown)	1