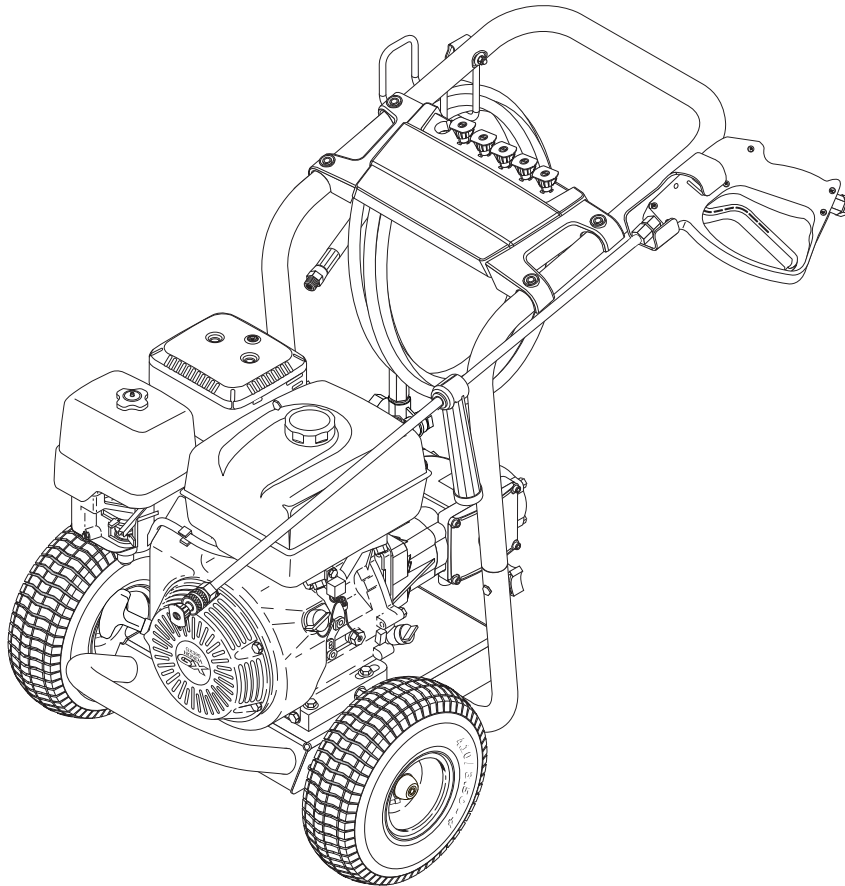
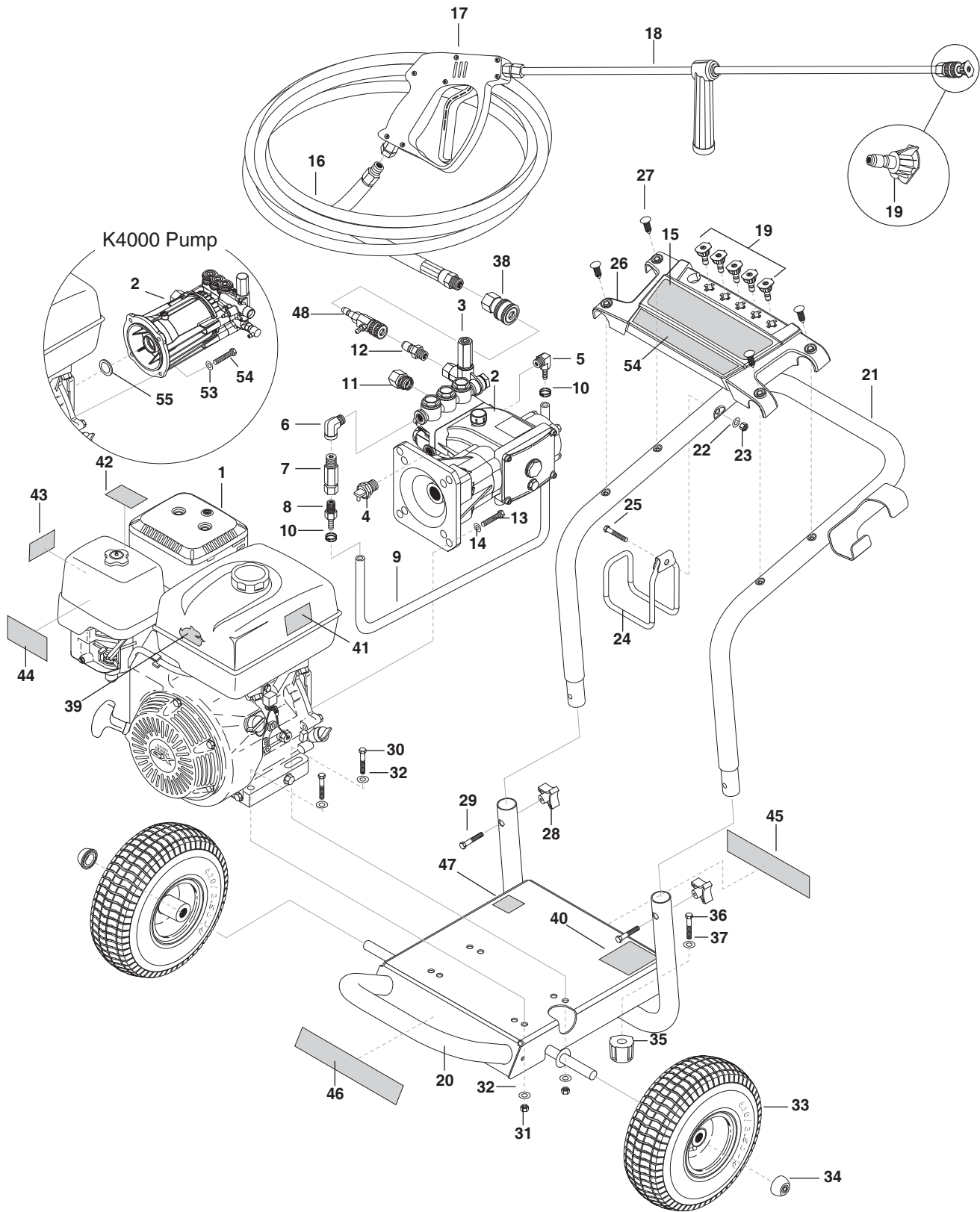


SERVICE MANUAL



MODEL #	ORDER #
XPERT-HD 3.8/35 P	1.107-108.0
XPERT-HD 3.5/40 P	1.107-219.0
PD4-35324	1.107-096.0
PD4-40324	1.107-220.0
DA-383539	1.107-102.0
DA-354039	1.107-218.0
DD-383537	1.107-137.0
DD-354037	1.107-221.0
RG-364037	1.107-237.0

EXPLODED VIEW



EXPLODED VIEW PARTS LIST

ITEM	PART NO.	DESCRIPTION	QTY	ITEM	PART NO.	DESCRIPTION	QTY
1	8.750-580.0	Engine, Honda, GX390 UT2QA2 , 389cc	1	18	8.783-040.0	Wand, 44" With Side Grip (All models except RG)	1
2	See Page 7	S.3 Series Pump (All models except RG)	1		9.112-527.0	Lance-AI Quick Connect - Male 4000 PSI (RG Model)	1
	See Page 9	K4000 Pump (RG Model)	1	19	9.104-030.0	Quick Connect Nozzle Kit (040) (3500psi & RG Models)	1
3	See Page 10	UU1 Unloader (3500psi Models except RG)	1		9.802-295.0	▲Nozzle, 0003, Red	1
	See Page 11	VBA Unloader (4000psi Models except RG)	1		9.802-296.0	▲Nozzle, 0015, Yellow	1
4	8.707-256.0	Pump protector, 1/2" (All models except RG)	1		9.802-297.0	▲Nozzle, 0025, Green	1
5	8.706-958.0	Hose barb, 1/4" Barb X 1/4" 1 Pipe, 90 Drg (All models except RG)	1		8.932-298.0	▲Nozzle, 0040, White	1
6	8.706-207.0	Elbow, 3/8" Street 90 Deg. 1 Steel (All models except RG)	1		9.802-311.0	▲Nozzle, Black, Soaper	1
7	9.802-190.0	Valve, Ez start, 3/8 Mpt X 1/8 Fpt (All models except RG)	1	19	8.904-154.0	Quick Connect Nozzle Kit (035) (4000psi Models)	1
8	8.706-940.0	Hose barb, 1/4" Barb X 1/8" ML Pipe (All models except RG)	1		8.712-337.0	▲Nozzle, 0003.5, Red	1
9	9.802-254.0	Hose 1/4" (All models except RG)	1		8.712-338.0	▲Nozzle, 1503.5, Red	1
10	6.390-126.0	Hose clamp (All models except RG)	2		8.712-339.0	▲Nozzle, 2503.5, Red	1
11	9.802-146.0	Swivel, 1/2" Mp X 3/4", Ghf W/Strainer (All models except RG)	1		8.712-340.0	▲Nozzle, 4003.5, White	1
12	9.802-171.0	Nipple, 3/8" X 3/8", Mpt St (All Models except RG)	1		8.712-398.0	▲Nozzle, Black, Soaper	1
13	9.802-722.0	Bolt, 3/8" X 1-1/4", Nc HH (All models except RG)	4	20	9.115-109.0	Frame O-Blk Wrinkle	1
14	9.802-814.0	Washer, 3/8", Lock Split Ring (All models except RG)	4	21	8.922-122.0	Assy Holder, Handle Black	1
15	9.138-437.0	Karcher branding label (Xpert HD)	1	22	9.198-002.0	5/16" SAE F/W zinc .062 Thk (All models except RG)	1
	9.138-439.0	Landa branding label (PD Models)	1		8.718-980.0	Washer, 5/16" Flat (RG Model)	1
	9.138-440.0	Hotsy branding label (DA Models)	1	23	9.802-776.0	Nut, 5/16, ESNA, Nc	1
	8.750-881.0	Shark branding label (DD & RG Models)	1	24	9.142-315.0	Hose hanger Blk Wrinkle	1
16	8.739-026.0	Hose, 3/8" X 50' 1 Wire Tuff-Skin (PD Models)	1	25	9.802-716.0	Bolt 5/16" X 2" NC, HH	1
	8.739-011.0	Hose, 3/8" X 50' 1 Wire Tuff-Skin (DA Models)	1	26	9.134-022.0	Name plate	1
	8.739-021.0	Hose, 3/8" X 50' 1 Wire Tuff-Skin (Xpert HD and DD Models)	1	27	9.196-049.0	Nylon Rivet	4
	9.162-323.0	HP Hose DN8/50'/4000 (RG Model)	1	28	7.767-003.0	1/4"-20 Star knob	2
17	8.750-247.0	Trigger Gun Model M407 (All models except RG)	1	29	9.196-307.0	1/4"-20 x 1-1/2" GR 2, Hex bolt zinc	2
	8.754-381.0	MV925 GUN 4500 PSI (RG Model)	1	30	9.802-727.0	Bolt, 3/8" X 1-3/4", TAP (All models except RG)	4
					9.186-021.0	3/8-16 X 2 GR 5 HHCS Zinc (RG Model)	4
				31	9.802-779.0	Nut 3/8" (All models except RG)	4
					9.197-003.0	3/8-16 NE Nylon Insert (RG Model)	4
				32	9.802-807.0	Washer, Flat 3/8" (All models except RG)	8
					9.198-004.0	3/8 USS F/W Zinc (RG Model)	8
				33	8.754-186.0	Qh Wheel Assy, 10" Gray Steel Rim W/Tub	2
				34	9.182-506.0	Cap black plastic, 5/8" Fastener	2
				35	9.183-411.0	Rubber buffer	2
				36	9.802-714.0	Bolt, 5/16" X 1-3/4"	2
				37	8.718-980.0	Washer, 5/16", Flat	4
				38	9.802-166.0	Coupler, 3/8" Female, Brass 1	1
					8.702-088.0	▲O-Ring, Viton, 3/8" (All models except RG)	1

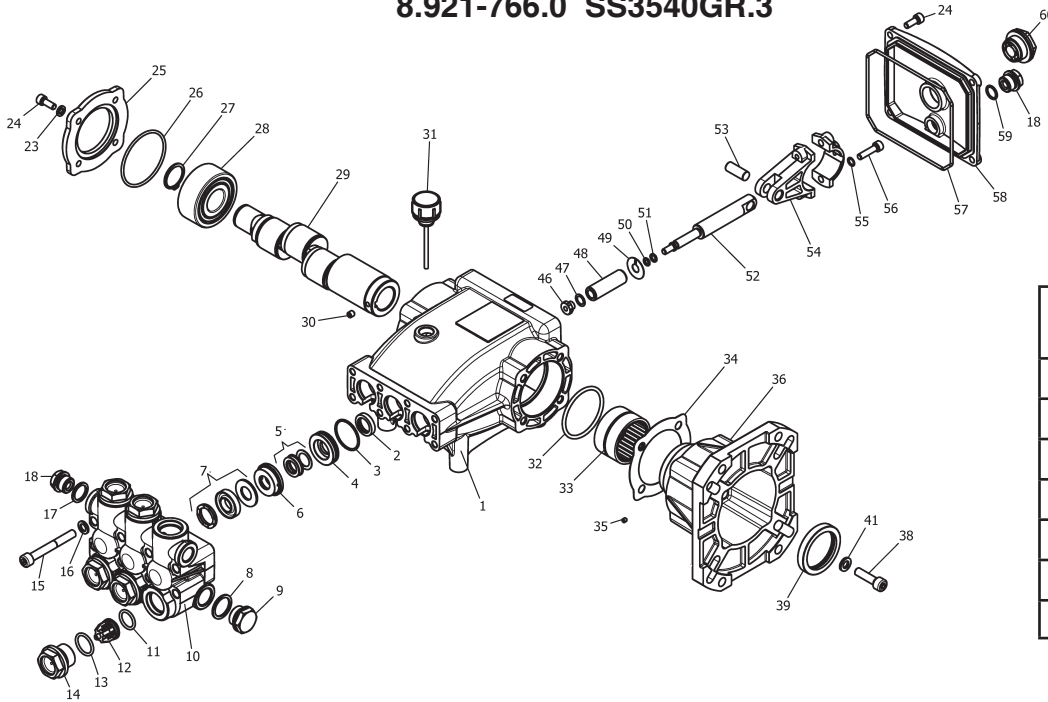
EXPLODED VIEW PARTS LIST

ITEM	PART NO.	DESCRIPTION	QTY
39	9.138-438.0	Shark branding label (DD-383537 & RG Models)	1
40	8.930-124.0	Label, Intended for Outdoor Use (All models except RG)	1
	9.801-594.0	Rating Plate, RG-364037	1
41	9.800-008.0	Label, Danger Cool Engine (All models except RG)	1
42	9.800-006.0	Label, Hot/Caliente (All models except RG)	1
43	8.751-096.0	Label Regulation 4442.6	1
44	8.783-034.0	Label, Quick Start Guide ww1 (All models except RG)	1
	9.138-423.0	Quick Instruction Guide (RG Model)	1
45	8.750-809.0	Label, Operator Warnings (All models except RG)	1
	8.783-035.0	Label, Operation Warnings (RG Model)	1
46	8.783-036.0	Label, Warning Pictogram (All models except RG)	1
47	8.783-038.0	Label, Universal DB Rating, 1 Ear Protection, Trilingual (All models except RG)	1
48	9.802-216.0	Injector, Chem, Non Adj, 3-5 GPM, 0.083 (All models except RG)	1
49	6.388-216.0	▲ Hose DN 5 (All models except RG)	1
50	5.731-652.0	▲ Filter with weigh (All models except RG)	1
	4.862-225.0	Filter chemistry regulation (RG Model)	1
51	9.802-959.0	▲ Key, 0.247 Sqr x 2.125" (All models except RG)	1
52	8.753-555.0	Label, Rate Specs, High (RG Model)	1
53	9.802-813.0	Washer, 5/16" Split Ring Lock, Zinc (RG Model)	1
54	6.965-007.0	5/16-24X1 GR 5 SHCS THRU Hardener (RG Model)	1
55	6.362-612.0	O-Ring seal 24,77x5,33- NBR 70 (RG Model)	1

▲ Not Shown

S.3 PUMP EXPLODED VIEW

8.751-195.0 KS4040GR.3	8.751-194.0 KS3540GR.3
8.751-177.0 LS4040GR.3	8.751-176.0 LS3540GR.3
8.751-184.0 HS4040GR.3	8.751-183.0 HS3540GR.3
	8.921-766.0 SS3540GR.3



TORQUE SPECS	
Item #	Ft.-lbs
14	75
15	30
24	7.6
38	10
46	7
56	13

S.3 PUMP EXPLODED VIEW PARTS LIST

ITEM	PART NO.	DESCRIPTION	QTY	ITEM	PART NO.	DESCRIPTION	QTY
1	8.751-217.0	Crankcase	1	26	8.717-225.0	O-Ring Ø 2.62 x61.6	1
2*	See Kit Below	Plunger Oil Seal	3	27	9.802-914.0	Snap Ring	1
3*	See Kit Below	O-Ring Ø1.78 x 31.47	3	28	9.803-168.0	Double Row Ball Bearing	1
4*	See Kit Below	Pressure Ring	3	29	9.803-151.0	Crankshaft (3540G.3)	1
5*	See Kit Below	U-Seal, 15mm	3		9.803-152.0	Crankshaft (4040G.3)	1
6*	See Kit Below	Intermed. Ring 15mm	3	30	9.802-945.0	Set Screw	1
7*	See Kit Below	U-Seal, 15mm	3	31	9.802-921.0	Oil Dip Stick	1
8	9.803-199.0	Copper Washer 1/2"	1	32	9.804-581.0	O-Ring Ø 3.53 x 55.56	1
9	9.802-926.0	Brass Plug, 1/2"	1	33	9.803-161.0	Needle Roller Bearing	1
10	8.751-218.0	Manifold Housing	1	34	8.751-230.0	Gasket	1
11*	9.803-191.0	O-Ring Ø2.62 x 17.13	6	35	8.717-544.0	Screw, Set	1
12*	See Kit Below	Valve Assembly	6	36	9.803-183.0	Engine Flange	1
13*	9.803-193.0	O-Ring Ø2.62 x 20.29	6	38	9.803-240.0	Flange Screw	4
14	9.802-928.0	Valve Plug	6	39	9.803-142.0	Crankshaft Seal	1
15	9.802-938.0	Manifold Stud Bolt	8	41	9.803-221.0	Spring Washer	4
16	9.802-884.0	Washer	8	46*	See Kit Below	Plunger Nut, M6	3
17	9.803-198.0	Copper Washer 3/8"	1	47*	See Kit Below	Washer, Copper, 9.2 x 13.5	3
18	9.802-925.0	Brass Plug 3/8"	2	48*	See Kit Below	Plunger, 15mm	3
23	9.803-201.0	Washer, M6 x 16	4	49*	See Kit Below	Copper Spacer	3
24	9.802-939.0	Hexagonal Screw	9				
25	9.803-184.0	Closed Bearing Housing	1				

S.3 PUMP EXPLODED VIEW PARTS LIST

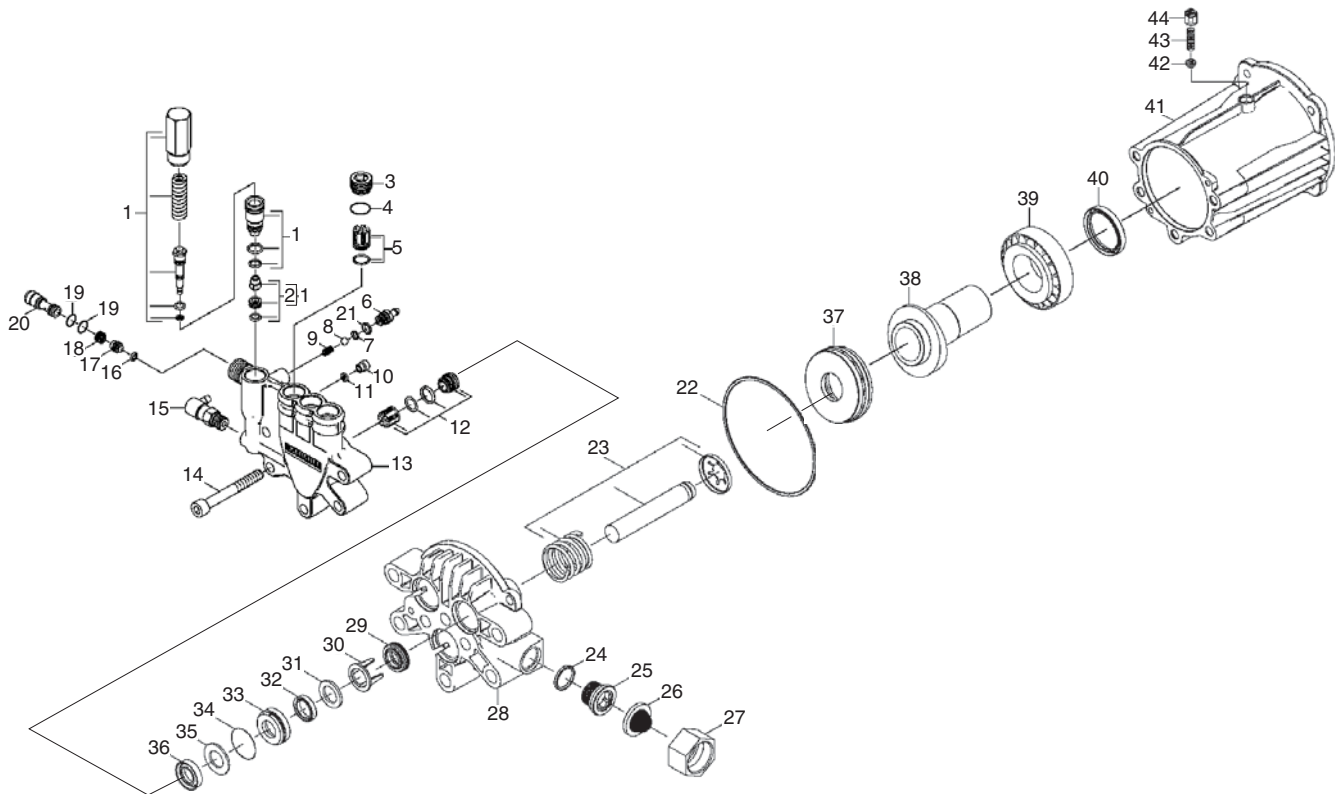
ITEM	PART NO.	DESCRIPTION	QTY
50*	See Kit Below	O-Ring Ø1.78x5.28	3
51*	See Kit Below	Teflon Ring	3
52	8.751-225.0	Plunger Rod	3
53	8.751-228.0	Connecting Rod Pin	3
54	9.803-158.0	Connecting Rod	3
55	9.803-218.0	Spring Washer	6
56	9.803-238.0	Connecting Rod Screw	6
57	8.933-016.0	O-Ring 2.62 x 126.67	1
58	8.751-229.0	Crankcase Cover	1
59	9.803-197.0	O-Ring, Ø 1.78 x 14	1
60	9.803-202.0	Sight Glass, G3/4	1

* Part available in kit (See below)

REPAIR KIT NUMBER	8.725-358.0	8.725-359.0	8.933-023.0	9.802-603.0	9.802-609.0
KIT DESCRIPTION	Plunger U-Seal 15mm	Complete U-Seal Packing 15mm	Plunger 15mm	Complete Valve	Plunger Oil Seals
ITEM NUMBERS INCLUDED	3, 5, 7	3, 4, 5, 6, 7	46, 47, 48, 49, 50, 51	11, 12, 13	2
NUMBER OF CYLINDERS KIT WILL SERVICE	3	1	1	6	3

K4000 PUMP EXPLODED VIEW

9.120-019.0

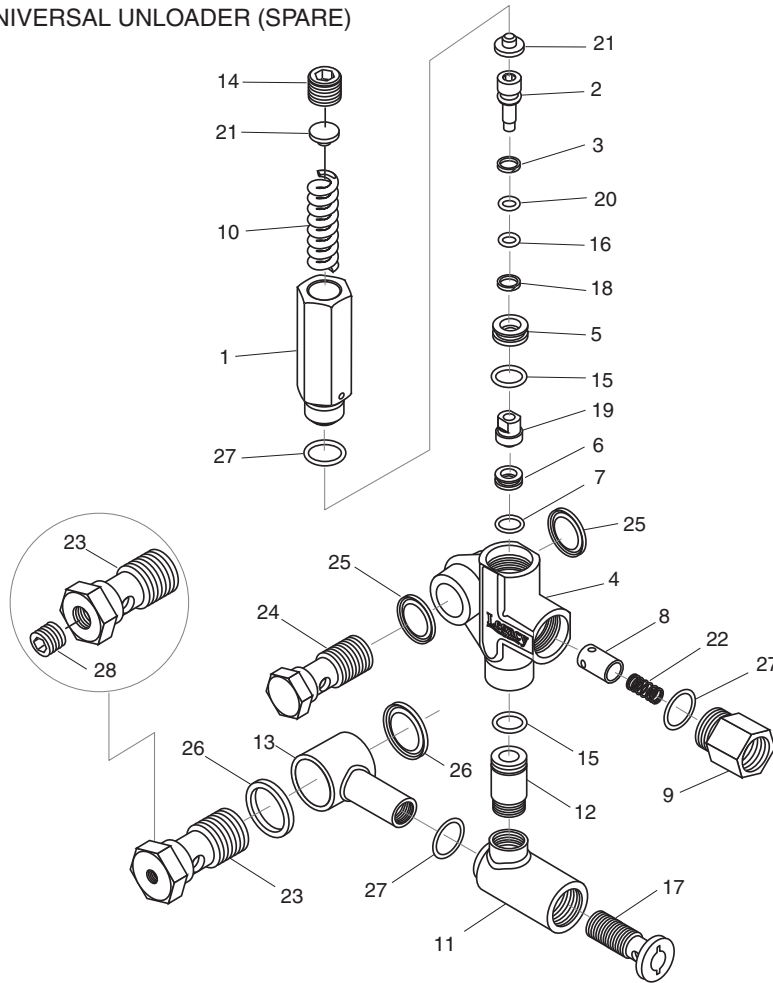


ITEM	PART NO.	DESCRIPTION	QTY	ITEM	PART NO.	DESCRIPTION	QTY
1	9.175-011.0	Unloader Assy (9.120-019.0) Pump	1	23	9.139-358.0	Spare Part of Piston (Set With 3 pc.)	1
2	9.139-359.0	Spare parts set seat excess-current	1	24	6.362-390.0	O-Ring seal 15,6 X 1,78	1
3	9.154-047.0	Plug M22x1	3	25	9.134-019.0	Male Adapter	1
4	6.362-481.0	O-Ring seal 14,0 x 2,0 NBR 80	3	26	9.181-005.0	Filter Seal-Hose Connector	1
5	2.884-512.0	Valve (Set With 3 pc.)	1	27	9.155-013.0	Female Hose Connector	1
6	5.443-448.0	Nipple chemistry	1	28	9.135-013.0	Piston Guide-4000 psi	1
7	6.362-175.0	O-Ring seal 5,28x 1,78	1	29	6.365-340.0	Grooved ring 14X22X5/7	3
8	7.401-908.0	Sphere 7 G300 -1.4301 DIN 5401	1	30	9.182-356.0	Spacer	3
9	5.332-258.0	Helical spring	1	31	9.177-311.0	Back Ring-Low Pressure Seal	3
10	9.154-049.0	Plug M10x1	1	32	6.365-438.0	Compact seal	3
11	9.151-014.0	Rupture Disk, 5000 PSI, Blue	1	33	9.155-014.0	Housing-Low Pressure Seal	3
12	9.139-364.0	Spare Part List 019 (Set With 3 pc.)	1	34	6.362-376.0	O-Ring seal 24,0 X 1,5	3
13	9.135-012.0	Cylinder Head-Machined	1	35	9.177-312.0	Back Ring-High Pressure Seal	3
14	7.306-072.0	Cylinder head screw M10X 80-8.8-A3E IS	5	36	9.177-313.0	Seal high pressure	3
15	9.184-013.0	Thermal Relief Valve	1	37	4.401-096.0	Deep groove ball thrust bearing only for	1
16	6.362-851.0	O-Ring seal 4 x 2 NBR 90	1	38	9.165-256.0	Swash Plate-Machined	1
17	9.184-012.0	Valve Pin-Back Pressure	1	39	6.401-225.0	Taper roller bearing 41	1
18	9.157-006.0	Spring-Valve Pin	1	40	7.367-011.0	Radial shaft seal ring A40x52x7-NBR DIN	1
19	6.362-384.0	O-Ring seal 9x1,5 - NBR 70 2	1	41	9.135-014.0	Oil Housing-Machined	1
20	5.769-141.0	Nozzle insert	1	42	5.582-080.0	Valve disc	1
21	6.362-451.0	O-Ring seal 8,0 x 1,0	1	43	5.332-209.0	Helical spring	1
22	6.363-067.0	O-Ring seal 92X2 NBR 70	1	44	5.030-533.0	Moulded part	1

UU1 UNLOADER EXPLODED VIEW

9.175-018.0

UU1 3500PSI, UNIVERSAL UNLOADER (SPARE)

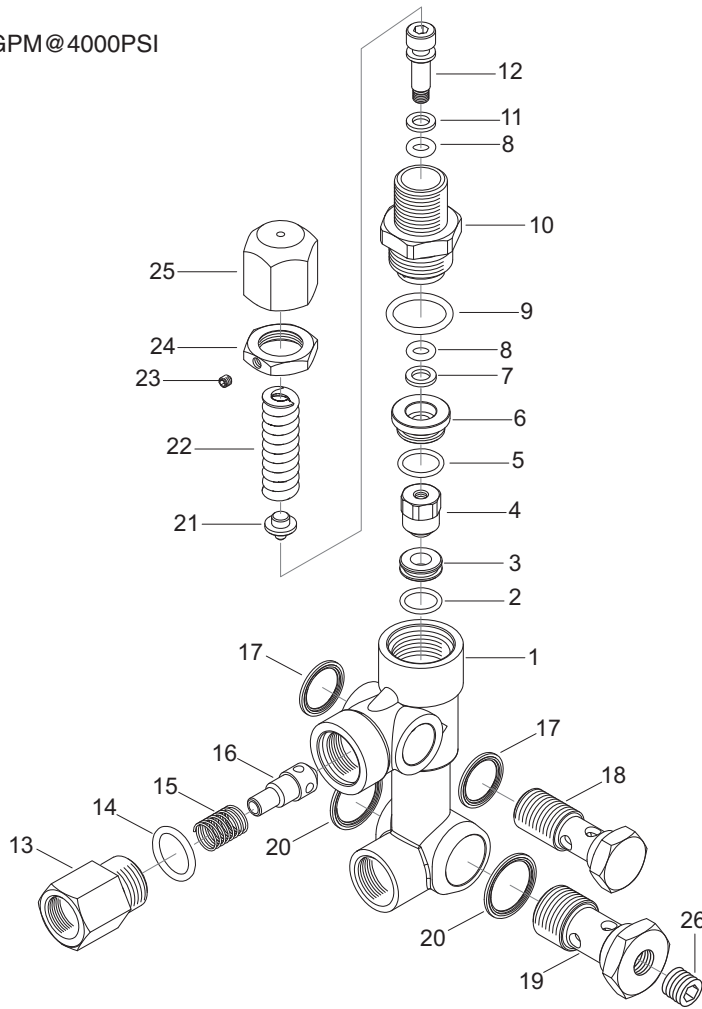


UU1 UNLOADER EXPLODED VIEW PARTS LIST

ITEM	PART #	DESCRIPTION	KIT	QTY	ITEM	PART #	DESCRIPTION	KIT	QTY
1	8.751-394.0	Piston Housing	D	1	17	9.149-006.0	Sliding Connector Guide		1
2		Piston	C, D	1	18		O-Ring Backup 6 x 1.45 x 1.68	A, D	1
3		Piston O-Ring Back Up	A, D	1	19		Ball Housing Assy	C, D	1
4	8.749-796.0	Main Block		1	20		O-Ring 6.75 x 1.78 BN80	A, D	1
5	9.152-372.0	Piston Ring	D	1	21		Spring Seat	C, D	2
6		Ball Seat	C, D	1	22		Plunger Spring	B	1
7		O-Ring 10.5 ID x 1.5 CS	A,C,D	1	23	8.917-699.0	Banjo Bolt 1/2" Short		1
8		Plunger	B	1		8.917-700.0	Banjo Bolt 1/2"-1/4" NPT Short		1
9	9.152-016.0	Plunger Housing		1	24	8.917-698.0	Banjo Bolt 3/8" Short		1
10		Bypass Spring	C, D	1	25	9.802-893.0	Seal Washer 3/8"		2
11	9.149-001.0	Low Pressure Port		1	26	9.803-921.0	Seal Washer 1/2"		2
12	9.152-017.0	Sliding Connector, 30mm		1		9.802-893.0	Seal Washer 3/8"		2
	8.762-005.0	Sliding Connector, 40mm, Long		1	27		O-Ring 15 ID x 2CS	A,B,D	3
13	9.149-002.0	Sliding Connector H 1/2"		1	28	8.706-865.0	Plug, 1/4" Countersunk		1
	9.149-005.0	Sliding Connector H 3/8"		1	Kit A	9.104-038.0	O-Ring Repair Kit		
14	9.196-011.0	Plug 5/8 -18 UNF	D	1	Kit B	9.104-039.0	Outlet Kit		
15		O-Ring 12 ID x 2 CS	A, D	2	Kit C	9.104-040.0	Stem Basic Kit		
16		O-Ring 6 ID X 2 CS	A, D	1	Kit D	8.920-045.0	UU1 Complete Stem Kit		

VBA UNLOADER EXPLODED VIEW

9.803-900.0
UNLOADER (VBA), 6.6GPM@4000PSI



VBA UNLOADER EXPLODED VIEW PARTS LIST

ITEM	PART #	DESCRIPTION	KIT	QTY	ITEM	PART #	DESCRIPTION	KIT	QTY
1		Body Valve (KG)		1	17	9.802-893.0	Seal Washer 3/8"		2
		Body Valve (KS)		1	18	9.803-919.0	Banjo Bolt 3/8" Solid Cap		1
2		O-Ring	A, C	1	19	9.803-920.0	Banjo Bolt 1/2", w 1/4" Pilot		1
3		Seat	C	1	20	9.803-921.0	Seal Washer 1/2"		2
4		Ball, Sub Assy	C	1	21		Plate	C	1
5		O-Ring	A	1	22		Spring	C	1
6	9.803-907.0	Guide Bushing		1	23	8.933-021.0	Set Screw		1
7		Teflon Ring		1	24	9.803-925.0	Nut		1
8		O-Ring	A	1	25	9.803-926.0	Brass Handle		1
9		O-Ring	A	2	26	8.706-865.0	Plug, 1/4" Countersunk		1
10	9.803-911.0	Connector		1	Kit A	8.717-672.0	O-Ring Repair Kit		
11		Teflon Ring	A	1	Kit B	8.717-673.0	Outlet Kit		
12		Stem	C	1	Kit C	8.717-674.0	Stem Basic Kit		
13	9.803-914.0	Connector Female		1					
14		O-Ring	A, B	1					
15		Spring	B	1					
16		Poppet	B	1					