



J-SERIES

Pos. No.	Part Description	Pump Model															
		J150	J400	J750	J1500	J1500H	J08	J15	J15H	J22	J22H	J37	J37H	J55C	J55CH	J75C	J75CH
		Item #	Item #	Item #	Item #	Item #	Item #	Item #	Item #	Item #	Item #	Item #	Item #	Item #	Item #	Item #	Item #
01	Strainer with Bottom Plate	201979	201964	-	-	-	-	-	-	201973	201973	201973	201973	201976	201976	201976	201976
01	Strainer	-	-	201969	201969	201969	201969	201969	201969	-	-	-	-	-	-	-	-
01-2	Bottom Plate	-	-	202007	202007	202007	202007	202007	202007	-	-	-	-	-	-	-	-
02	Suction Cover	-	-	202026	202026	202026	202026	202026	202026	202009	202011	202009	202011	202031	202032	202031	202032
03	Impeller Nut	202890	-	-	-	-	202894	202894	202894	202894	202894	202894	202894	202895	202895	202895	202895
04	Lock washer	-	-	-	-	-	202907	202907	202907	202907	202907	202907	202907	202904	202904	202904	202904
05	Impeller	202921	202055	202930	202062	202064	202933	202067	202069	202937	202072	202074	202076	202078	202079	202082	202083
06	Impeller Key	-	-	-	-	-	202140	202140	202140	202140	202140	202140	202140	202141	202141	202141	202141
07	Pump Housing	202988	202993	202163	202165	202163	202163	202165	202163	202167	202167	202167	202167	202167	203007	203007	203007
07-1	O-Ring (Kit Only)	Kit	Kit	Kit	Kit	Kit	Kit	Kit	Kit	Kit	Kit	Kit	Kit	Kit	Kit	Kit	Kit
08	Oil Chamber Cover	202207	202207	202211	202211	202211	202211	202211	202211	202211	202211	202211	202211	202211	203043	203043	203043
08-1	O-Ring (Kit Only)	Kit	Kit	Kit	Kit	Kit	Kit	Kit	Kit	Kit	Kit	Kit	Kit	Kit	Kit	Kit	Kit
09	Lip Seal Buna-N	202229	202229	202231	202231	202231	202231	202231	202231	202231	202231	202231	202231	203055	203055	203055	203055
09	Lip Seal FKM (Optional)	202230	202230	202233	202233	202233	202233	202233	202233	202233	202233	202233	202233	203058	203058	203058	203058
09	Lip Seal EPDM (Optional)	203050	203050	203053	203053	203053	203053	203053	203053	203053	203053	203053	203053	203056	203056	203056	203056
09A	Double Lip Seal Buna-N	-	-	-	-	-	-	-	-	-	-	-	-	202249	202249	202249	202249
09A	Double Lip Seal FKM (Optional)	-	-	-	-	-	-	-	-	-	-	-	-	202240	202240	202240	202240
09A	Double Lip Seal EPDM (Optional)	-	-	-	-	-	-	-	-	-	-	-	-	203060	203060	203060	203060
10	Shaft Sleeve	202258	202258	-	-	-	-	-	-	-	-	-	-	202256	202256	202256	202256
10-1	O-Ring (Kit Only)	-	-	-	-	-	-	-	-	-	-	-	-	Kit	Kit	Kit	Kit
10-2	O-Ring (Kit Only)	-	-	-	-	-	-	-	-	-	-	-	-	Kit	Kit	Kit	Kit
12	Lip Seal for Lower Bearing	-	-	-	-	-	-	-	-	-	-	-	-	202236	202236	202236	202236
13	Mechanical Seal Buna-N	202269	202259	200501	200501	200501	200501	200501	200501	200501	200501	200501	200501	200305	200305	200305	200305
13	Mechanical Seal FKM**	-	202260	200500	200500	200500	200500	200500	200500	200500	200500	200500	200500	200304	200304	200304	200304
14	Lower Ball Bearing	200957	200493	200958	200958	200958	200958	200958	200958	200959	200959	200959	200959	200960	200960	200961	200961
14-1	Lower Ball Bearing	-	-	-	-	-	-	-	-	-	-	-	-	200960	200960	200961	200961
14-2	Lower Bearing Retainer Clip	-	-	-	-	-	-	-	-	-	-	-	-	202279	202279	202279	202279
15	Impeller Shim Kit (Required)	-	-	200481	200481	200480	200480	200480	200480	200480	200480	200480	200480	200479	200479	200479	200479
17	Rotor w/ Shaft 115/230V, 1PH	202299	202302	203086	203091	203091	-	-	-	-	-	-	-	-	-	-	-
17	Rotor w/ Shaft, 3 PH	-	-	-	-	-	202306	202310	202310	202314	202314	202318	202318	202343	202343	202345	202345
18	Stator w/Casing, 115V, 1PH	-	200509	200511	-	-	-	-	-	-	-	-	-	-	-	-	-
18	Stator w/Casing, 230V, 1PH	-	200521	200570	200514	200514	-	-	-	-	-	-	-	-	-	-	-
18	Stator w/Casing, 208V, 3PH	-	-	-	-	-	200524	200528	200528	200532	200532	200536	200536	200665	200665	-	-
18	Stator w/Casing, 230V/460V, 3PH	-	-	-	-	-	200546	200550	200550	200554	200554	200558	200558	200562	200562	200566	200566
18	Stator w/Casing, 460V, 3PH	-	-	-	-	-	-	-	-	-	-	-	-	-	-	200566	200566
18	Stator w/Casing, 575V, 3PH	-	-	-	-	-	200588	200592	200592	200596	200596	200600	200600	200605	200605	200609	200609
19	Governor Switch w/Switch Plate	-	202359	202360	202360	202360	-	-	-	-	-	-	-	-	-	-	-
20	Upper Ball Bearing	200966	200957	200967	200967	200967	200967	200967	200967	200958	200958	200958	200958	200959	200959	200959	200959
20-1	O-Ring (Kit Only)	-	-	-	-	-	-	-	-	-	-	-	-	Kit	Kit	Kit	Kit
21A	Oil Chamber	202990	200498	-	-	-	-	-	-	-	-	-	-	202178	202178	202169	202169
21A-1	O-Ring (Kit Only)	Kit	Kit	-	-	-	-	-	-	-	-	-	-	Kit	Kit	Kit	Kit
21B	Motor Cover	-	202365	202368	202368	202368	-	-	-	-	-	-	-	-	-	-	-
22	Cover Plate Upper	-	202380	-	-	-	-	-	-	-	-	-	-	-	-	-	-
23	Overload 115V, 1PH	-	-	202383	-	-	-	-	-	-	-	-	-	-	-	-	-
23	Overload 230V, 1PH	-	-	202395	202383	202383	-	-	-	-	-	-	-	-	-	-	-
23	Overload 208V, 3PH	-	-	-	-	-	202385	202388	202388	202390	202390	202392	202392	202394	202394	-	-
23	Overload 230V, 3PH	-	-	-	-	-	202385	202388	202388	202390	202390	202392	202392	202394	202394	202396	202396
23	Overload 460V, 3PH	-	-	-	-	-	202387	202386	202386	202389	202389	202391	202391	202393	202393	202394	202394
23	Overload 575V, 3PH	-	-	-	-	-	202399	202387	202387	202386	202386	202389	202389	202391	202391	202393	202393
24	Capacitor 115V	202414	202415	202417	-	-	-	-	-	-	-	-	-	-	-	-	-
24	Capacitor 230V	-	202416	202418	202420	202420	-	-	-	-	-	-	-	-	-	-	-

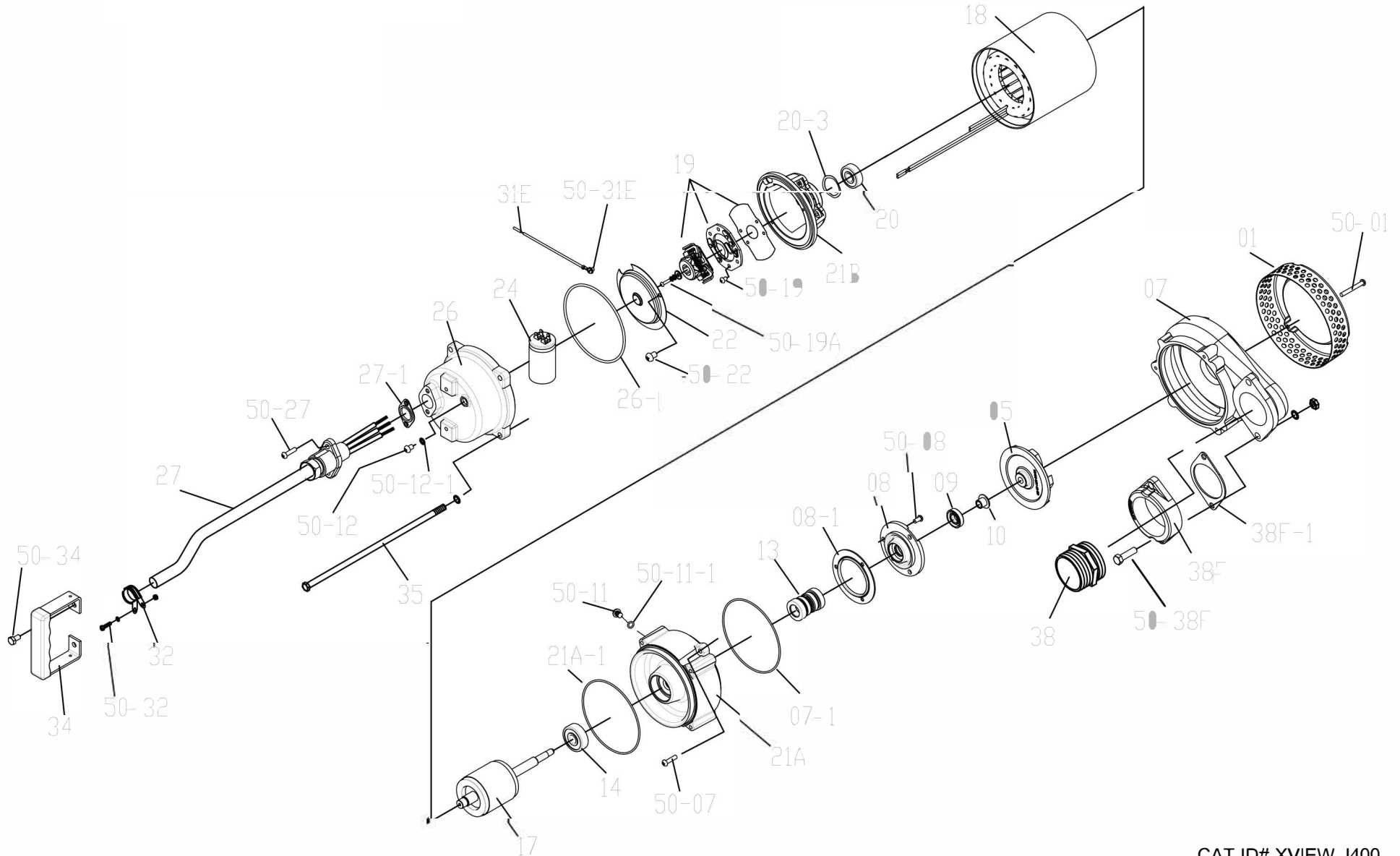
**All 1 HP and up BJM Pumps® mechanical seal elastomer material is FKM

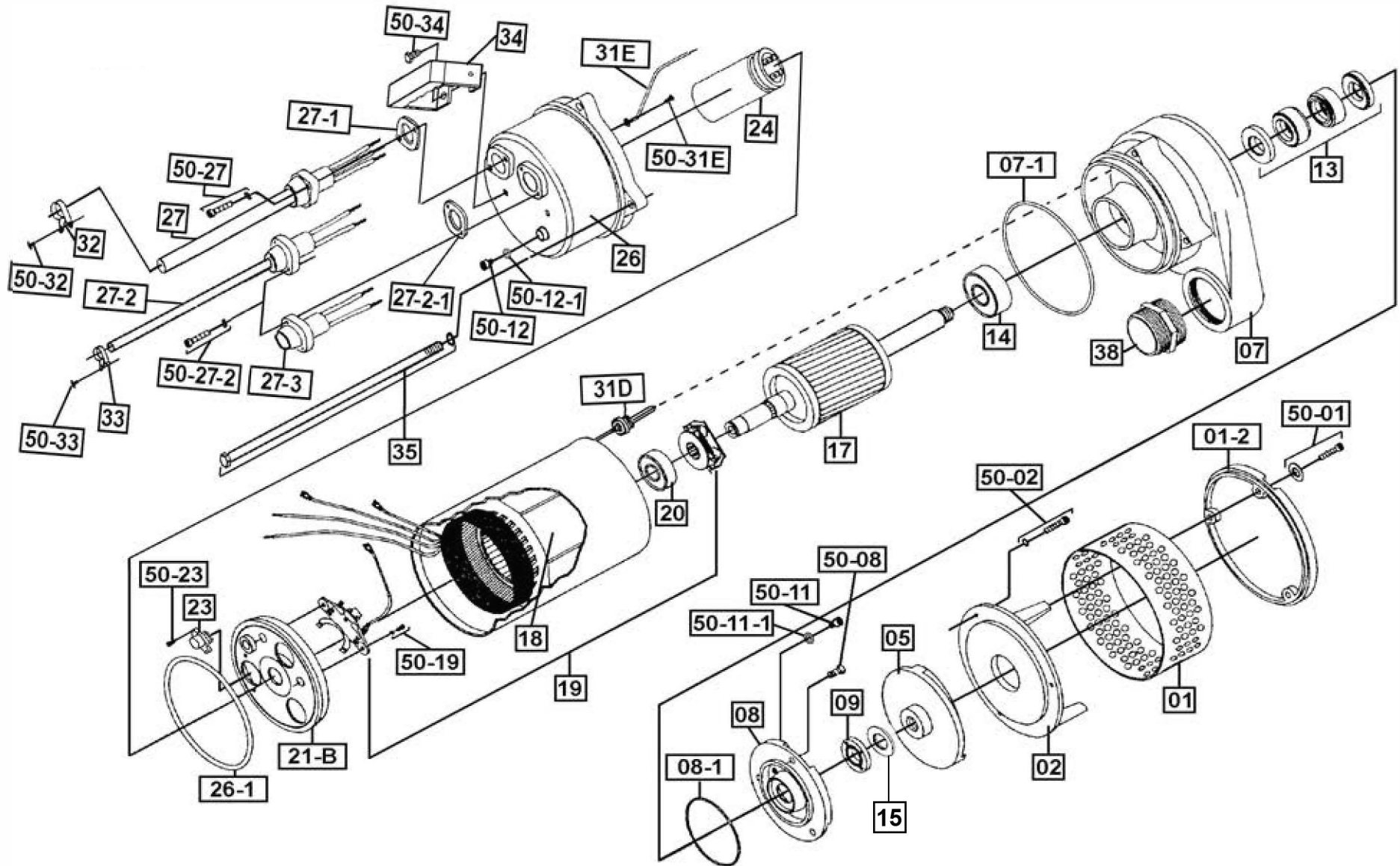


J-SERIES

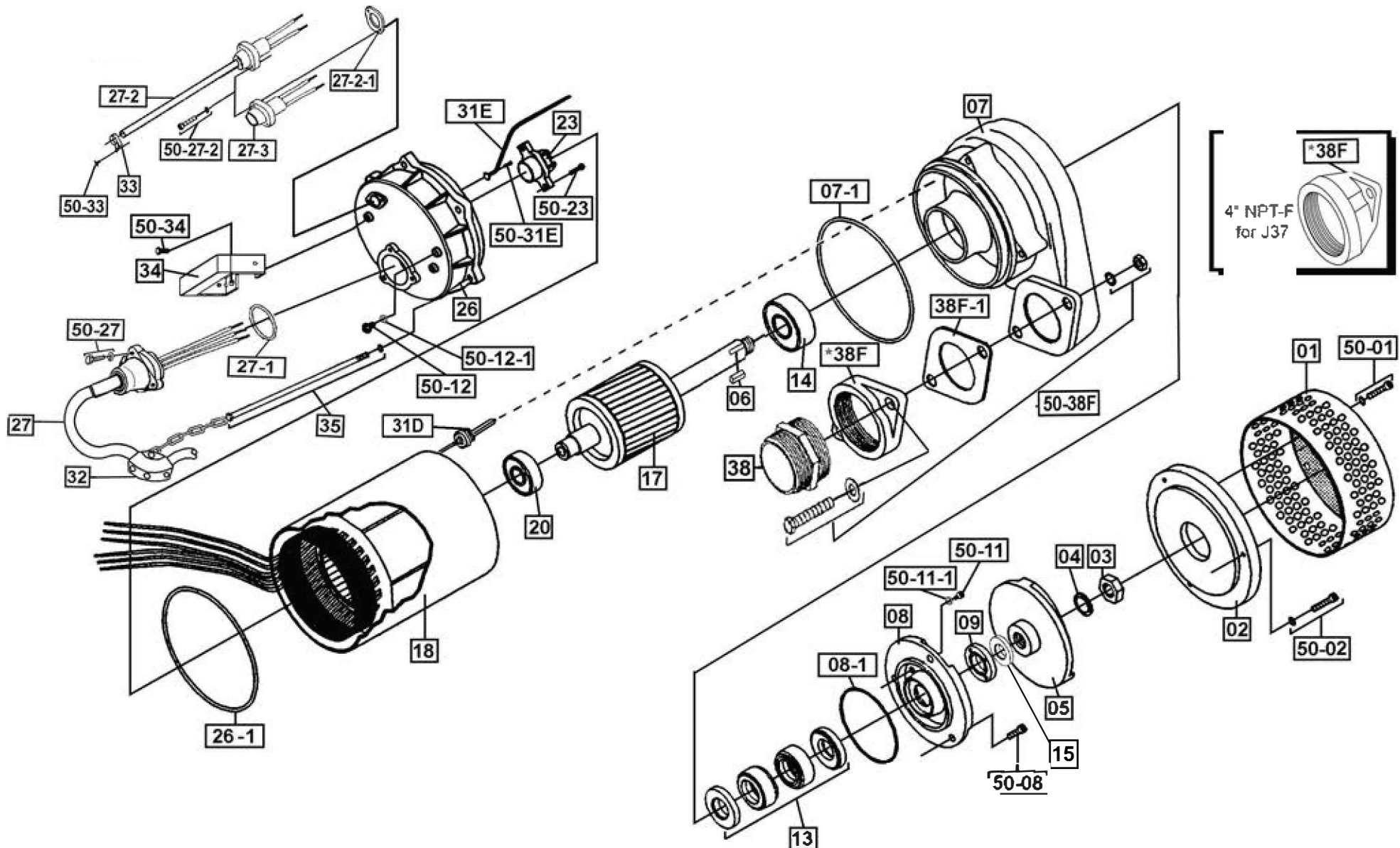
Pos. No.	Part Description	Pump Model															
		J150	J400	J750	J1500	J1500H	J08	J15	J15H	J22	J22H	J37	J37H	J55C	J55CH	J75C	J75CH
		Item #	Item #	Item #	Item #	Item #	Item #	Item #	Item #	Item #	Item #	Item #	Item #	Item #	Item #	Item #	Item #
26	Pump Top Cover	203119	203120	202433	202433	202433	202435	202435	202435	202445	202445	202445	202445	202439	202439	202439	202439
26-1	O-Ring (Kit Only)	Kit	Kit	Kit	Kit	Kit	Kit	Kit	Kit	Kit	Kit	Kit	Kit	Kit	Kit	Kit	Kit
27	Power Cable w/ Gland-115V, 1PH	201682	204257	204258	-	-	-	-	-	-	-	-	-	-	-	-	-
27	Power Cable w/ Gland-230V, 1PH, No Plug	-	201684	201694	204260	204260	-	-	-	-	-	-	-	-	-	-	-
27	Power Cable w/ Gland- 3PH	-	-	-	-	-	201701	201701	201701	203442	203442	203444	203444	203446	203446	203446	203446
27-1	O-Ring (Kit Only)	Kit	Kit	Kit	Kit	Kit	Kit	Kit	Kit	Kit	Kit	Kit	Kit	Kit	Kit	Kit	Kit
27-2	Seal Minder® Cable	-	-	202763	202764	202764	202763	202763	202763	202763	202763	202763	202763	202763	202763	202763	202763
27-2-1	O-Ring (Kit Only)	-	-	Kit	Kit	Kit	Kit	Kit	Kit	Kit	Kit	Kit	Kit	Kit	Kit	Kit	Kit
27-3	Oil Sensor Cap	-	-	203139	203139	203139	203139	203139	203139	203139	203139	203139	203139	203139	203139	203139	203139
31D	Seal Minder® Probe	-	-	202409	202409	202409	202409	202409	202409	203998	203998	203998	203998	204000	204000	204000	204000
31E	Ground Wire w/Ring Term.	203145	203145	203145	203145	203145	203145	203145	203145	203145	203145	203145	203145	203145	203145	203145	203145
32	Power Cord Line Clip / Strain Relief	-	203161	203161	203161	203161	203161	203161	203161	203161	204161	204161	202497	202497	202497	202497	202497
33	Seal Minder Cable Line Clip	-	-	203163	203163	203163	203163	203163	203163	203163	203163	203163	203163	203163	203163	203163	203163
34	Handle	203167	202517	202517	202517	202517	202517	202517	202517	202517	202517	202517	202517	202517	203171	203171	203171
35	Holding Rods	-	202665	202666	202668	202668	202669	202670	202670	202671	202671	202671	202672	202672	202673	202673	202674
38	Discharge Nipple	-	202531	202531	202534	202531	202531	202534	202531	202534	202531	202534	202531	-	-	-	-
38E	Discharge Elbow	-	-	-	-	-	-	-	-	-	-	-	-	202560	202560	202560	202560
38E-1	Gasket Discharge Elbow Buna-N	-	-	-	-	-	-	-	-	-	-	-	-	203210	203210	203210	203210
38E-1	Gasket Discharge Elbow FKM (Optional)	-	-	-	-	-	-	-	-	-	-	-	-	203211	203211	203211	203211
38F	Discharge Flange	-	202562	-	-	-	-	-	-	202545	202543	202545	202543	202537	202538	202537	202537
38F	Discharge Connection 4" FNPT	-	-	-	-	-	-	-	-	202552	-	202552	-	-	-	-	-
38F-1	Gasket -Discharge Flange Buna-N	-	203206	-	-	-	-	-	-	202659	202659	202659	202659	203210	203210	203210	203210
38F-1	Gasket - Discharge Flange FKM (Optional)	-	-	-	-	-	-	-	-	202660	202660	202660	202660	203211	203211	203211	203211
50-01	Bolt - Strainer/Stand	203233	202694	203238	203238	203238	203238	203238	203238	203238	203231	203231	203231	203231	203241	203241	203241
50-02	Screw	-	-	203216	203216	203216	203216	203216	203216	203228	203228	203228	203228	203229	203229	203229	203229
50-07	Screw	203217	203216	-	-	-	-	-	-	-	-	-	-	203229	203229	203229	203229
50-08	Screw	203233	203215	203219	203219	203219	203219	203219	203219	203219	203219	203219	203219	203246	203246	203246	203246
50-11	Screw	203218	203218	203218	203218	203218	203218	203218	203218	203218	203218	203218	203218	203218	203218	203218	203218
50-11-1	O-Ring (Kit Only)	Kit	Kit	Kit	Kit	Kit	Kit	Kit	Kit	Kit	Kit	Kit	Kit	Kit	Kit	Kit	Kit
50-12	Screw	-	203218	203218	203218	203218	203218	203218	203218	203218	203218	203218	203218	203218	203218	203218	203218
50-12-1	O-Ring (Kit Only)	-	Kit	Kit	Kit	Kit	Kit	Kit	Kit	Kit	Kit	Kit	Kit	Kit	Kit	Kit	Kit
50-14-2	Screw	-	-	-	-	-	-	-	-	-	-	-	-	203219	203219	203219	203219
50-19A	Screw	-	203215	-	-	-	-	-	-	-	-	-	-	-	-	-	-
50-19	Screw	-	202693	202693	202693	202693	-	-	-	-	-	-	-	-	-	-	-
50-21A	Screw	202702	-	-	-	-	-	-	-	-	-	-	-	-	-	-	-
50-22	Screw	-	202692	-	-	-	-	-	-	-	-	-	-	-	-	-	-
50-23	Screw	-	-	202700	202700	202700	202700	202700	202700	202700	202700	202700	202700	202700	202700	202700	202700
50-26	Acorn Nut and Washer	202701	-	-	-	-	-	-	-	-	-	-	-	-	-	-	-
50-27	Screw	203232	203216	203216	203216	203216	203216	203216	203216	203246	203246	203246	203246	203246	203246	203246	203246
50-27-2	Screw for Seal Minder® Cable	-	-	203216	203216	203216	203216	203216	203216	203216	203216	203216	203216	203216	203216	203216	203216
50-31E	Screw	202692	202692	202692	202692	202692	202692	202692	202692	202692	202692	202692	202692	202692	202692	202692	202692
50-32	Screw	-	203214	203214	203214	203214	203214	203214	203214	203214	203214	203214	203214	-	-	-	-
50-33	Screw	-	203214	203214	203214	203214	203214	203214	203214	203214	203214	203214	203214	-	-	-	-
50-34	Screw	-	203219	203219	203219	203219	203219	203219	203219	203219	203219	203219	203219	-	-	-	-
50-34-1	Screw for Handle w/ Cable Chain	-	-	-	-	-	-	-	-	-	-	-	-	203228	203228	203228	203228
50-34-2	Screw for Handle	-	-	-	-	-	-	-	-	-	-	-	-	203288	203288	203288	203288
50-34-3	Lock Washer	-	-	-	-	-	-	-	-	-	-	-	-	202902	202902	202902	202902
50-38E	Bolt - Discharge Elbow	-	-	-	-	-	-	-	-	-	-	-	-	203287	203287	203287	203287
50-38F	Bolt - Discharge Flange	-	203230	-	-	-	-	-	-	203253	203253	203253	203253	203287	203287	203287	203287
	O-Ring Kit-Buna N	202623	202625	202628	202628	202628	202635	202635	202635	202637	202637	202637	202637	202639	202639	202639	202639
	O-Ring Kit-FKM (Optional)	-	202626	202631	202631	202631	202648	202648	202648	202643	202643	202643	202643	202645	202645	202645	202645

**All 1 HP and up BJM Pumps® mechanical seal elastomer material is FKM

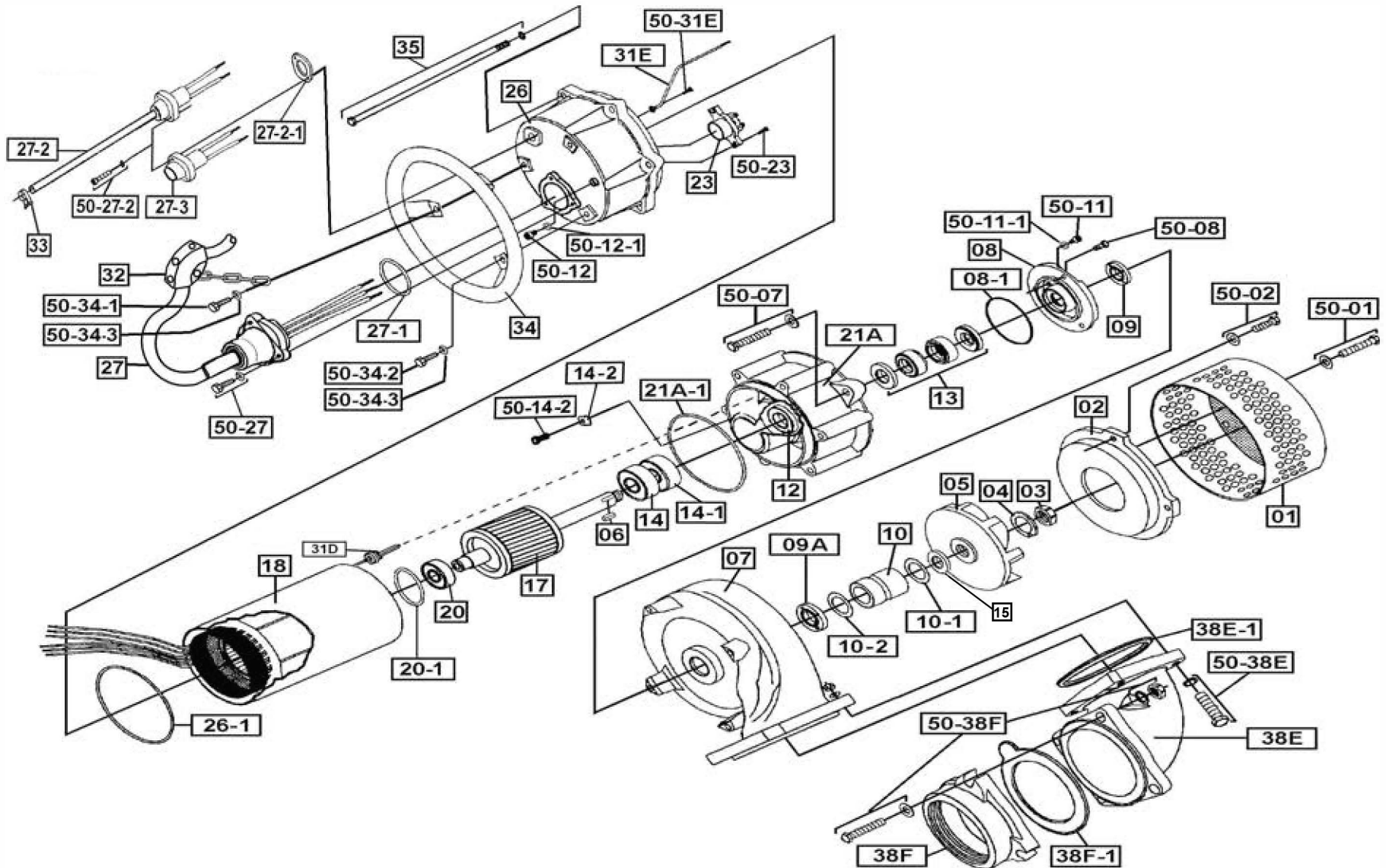




NOTE: Seal Minder® (Pos# 27-2, 33, 50-33) is an optional component. J-Series pumps come with Seal Minder® Cap only (Pos# 27-3)



NOTE: Seal Minder® (Pos# 27-2, 33, 50-33) is an optional component. J-Series pumps come with Seal Minder® Cap only (Pos# 27-3)



NOTE: Seal Minder® (Pos# 27-2, 33, 50-33) is an optional component. J-Series pumps come with Seal Minder® Cap only (Pos# 27-3)

J150

