

FIGURE 3 - UPPER SAW ASSEMBLY, GASOLINE MODEL

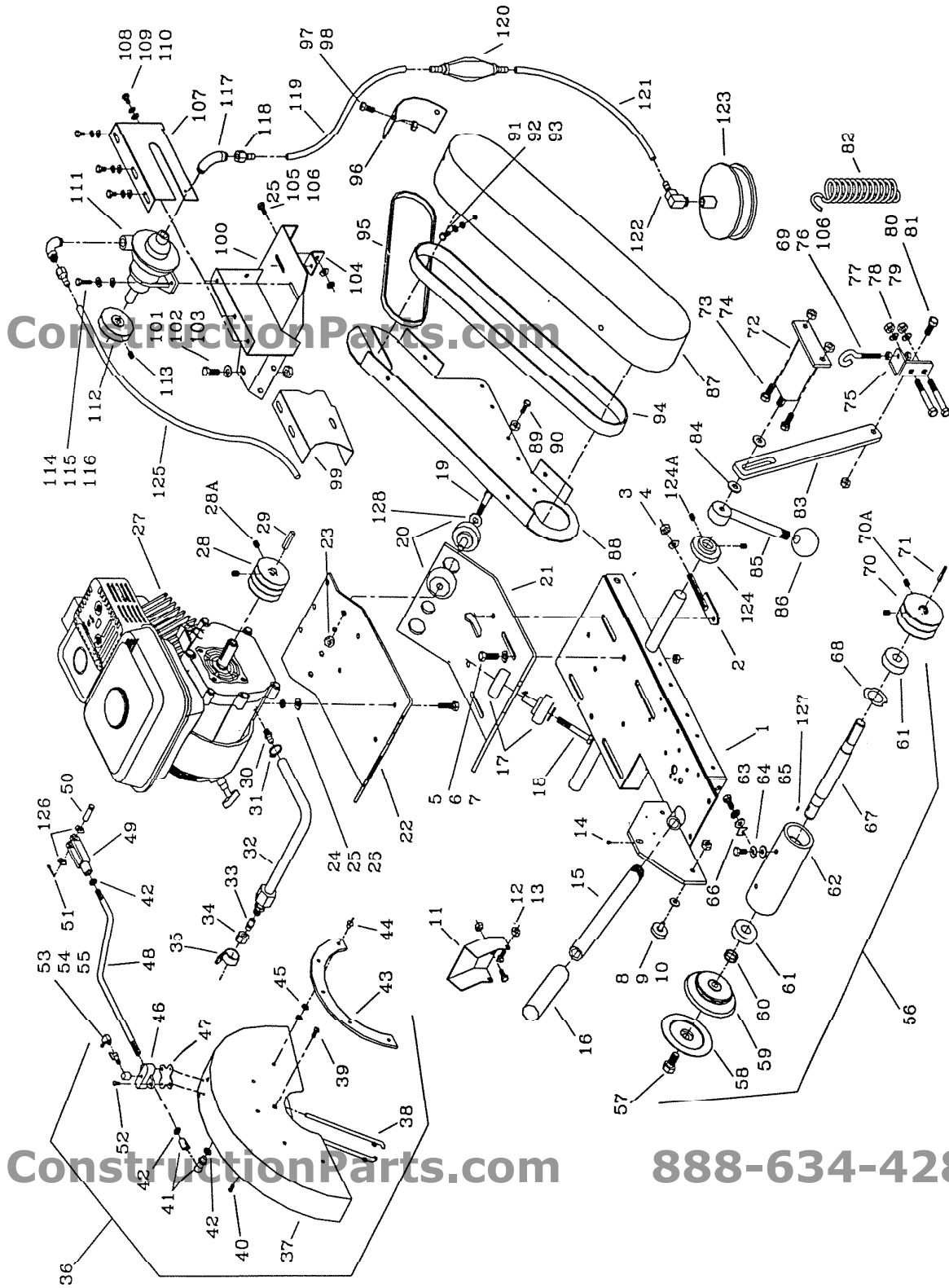


FIGURE 3 - PARTS LIST

DIAG. LOC.	PART NO.	QTY. REQ.	DESCRIPTION	DIAG. LOC.	PART NO.	QTY. REQ.	DESCRIPTION
1	177299	1	Platform Weldment	66	032501	(as req.)	Shim, .005" Thick
2	060411	1	Drawbolt Weldment, 3/8-16UNC	--	032502	(as req.)	Shim, .015" Thick
3	020764	1	Washer, Flat 3/8" SAE	--	032503	(as req.)	Shim, .020" Thick
4	020199	1	Locknut, Fiber 3/8-16	67	177289	1	Shaft, Blade, LH Thread
5	048740	4	Capscrew, Hex Hd., 3/8-16 x 1-1/4"	68	030004	1	Washer, Spring
6	020743	4	Washer, Flat 3/8"	69	020169	1	Nut, Hex Jam Thin 5/16-18
7	020199	4	Locknut, Fiber 3/8-16	70	060106	1	Pulley, 2G3V3.15 - .75 w/ Setscrew
8	030822	3	Wheel	70A	020550	2	Setscrew, Socket Hd., 5/16-18 x 3/8"
9	020763	3	Washer, Flat 5/16" SAE	71	020062	1	Key, 3/16" Sq. x 1-1/4"
10	032366	3	Nut, Keps 5/16-18UNC	72	177385	1	Support Weldment, Spring Top
11	177300	1	Shield, Water	73	020323	2	Capscrew, Hex Hd., 3/8-16 x 1"
12	020301	2	Capscrew, Hex Hd., 1/4-20 x 5/8"	74	020199	2	Locknut, Fiber 3/8-16
13	020195	2	Locknut, Fiber 1/4-20	75	177387	1	Support, Spring Bottom
14	020572	1	Setscrew, Socket Hd., #10-24 x 1/2"	76	030251	1	Eye Bolt, 5/16-18 x 2"
15	020263	1	Handle, 1/2" x 12" Long	77	020329	2	Capscrew, Hex Hd., 3/8-16 x 2-3/4"
16	043935	1	Grip, Handle	78	020743	2	Washer, Flat 3/8"
17	161197	1	Isolator, Engine 40-45 Durometer	79	020199	2	Locknut, Fiber 3/8"
18	020329	1	Capscrew, Hex Hd., 3/8-16 x 2-3/4"	80	020323	1	Capscrew, Hex Hd., 3/8-16 x 1"
19	020329	3	Capscrew, Hex Hd., 3/8-16 x 2-3/4"	81	020199	1	Locknut, Fiber 3/8-16
20	161196	3	Isolator, Engine 30-35 Duro	82	060395	1	Spring
21	177348	1	Plate, Engine Base	83	177389	1	Arm, Counterbalance
22	177307	1	Plate, Engine	84	020745	2	Washer, Flat 1/2"
23	020199	4	Locknut, Fiber 3/8-16	85	139564	1	Handle, Lock
24	020373	4	Capscrew, Hex Hd., 5/16-18 x 1-1/2"	86	163212	1	Knob
25	020742	5	Washer, Flat 5/16"	87	177422	1	Belt Guard w/ Decal
26	020197	4	Locknut, Fiber 5/16-18	88	177296	1	Support, Belt Guard
27	173098	1	Engine, 5.5HP Honda	89	020370	3	Capscrew, Hex Hd., 1/4-20 x 3/4"
28	177356	1	Pulley, 3G3V2.65 - .75 w/Setscrews	90	020195	3	Locknut, Fiber 1/4-20
28A	020550	2	Setscrew, Socket Hd., 5/16-18 x 3/8"	91	020370	4	Capscrew, Hex Hd., 1/4-20 x 3/4"
29	020063	1	Key, 3/16" Sq. x 1-1/2"	92	020784	4	Lockwasher, Split 1/4"
30	177382	1	Fitting, Oil Drain M10 x 1.25 x .38 Barb	93	020741	4	Washer, Flat 1/4"
31	020049	1	Clamp, Hose	94	177380	1	V-Belt, 2/3VX425 (2-Band)
32	167304	1	Hose Assembly, Oil Drain	95	177439	1	V-Belt, 3L x 40 Links (For water pump)
33	167307	1	Cap, Blanking	96	177405	1	Cover, Rear Belt Grd (w/o H2O Pump)
34	167622	1	Nut, Tube M16	97	020313	2	Capscrew, Hex Hd., 5/16-18 x 3/4"
35	166676	1	Clamp, Insulated	98	020197	2	Locknut, Fiber 5/16-18
36	177419	1	Blade Guard Assy (Incl. 37-47 & 53-55)	99	177346	1	Shield, Front, Water Pump
37	177292	1	Blade Guard Weldment, 14"	100	177342	1	Support Weldment
38	030865	2	Water Tube 14"	101	020323	4	Capscrew, Hex Hd., 3/8-16 x 1"
39	020426	1	Screw, Machine Flat #10-32 x 3/8"	102	020743	4	Washer, Flat 3/8"
40	020424	1	Screw, Machine Round #10-32 x 3/8"	103	020199	4	Locknut, Fiber 3/8-16
41	031045	1	Joint, Ball	104	177357	1	Bracket, Drawbolt
42	020171	3	Nut, Thin Jam 3/8-24	105	177378	1	Capscrew, Hex Hd., 5/16-18 x 2"
43	060435	1	Track, Blade Guard	106	020197	2	Locknut, Fiber 5/16-18
44	020701	5	Rivet, Pop	107	177344	1	Shield, Rear, Water Pump
45	020762	10	Washer, Flat 1/4" SAE	108	021423	5	Capscrew, Hex Hd., 1/4-20 x 1/2"
46	030870	1	Manifold	109	020784	5	Lockwasher, Split 1/4"
47	030875	1	Gasket, Water Manifold	110	020762	5	Washer, Flat 1/4" SAE
48	060455	1	Rod Link	111	177375	1	Pump, Water (Modified)
49	060460	1	Yoke	--	177424	1	Repair Kit, Water Pump (Not Shown)
50	060465	1	Pin, Clevis	112	177354	1	Pulley, 1G3V2.65 - .625, w/ Setscrews
51	020611	1	Pin, Cotter	113	020541	2	Setscrew, Socket Hd., 1/4-20 x 3/8"
52	020425	2	Screw, Machine #10-32 x 1/2"	114	020306	2	Capscrew, Hex Hd., 1/4-20 x 1"
53	161176	1	Fitting, 90° Elbow 1/4" - 18, 3/8" Barb	115	020762	2	Washer, Flat 1/4" SAE
54	090578	1	Valve, 1/4-18NPT	116	020195	2	Locknut, Fiber 1/4-20
55	020813	1	Fitting, 90° Street Elbow 1/4-18 NPT	117	020815	2	Fitting, Street Elbow, 3/8" NPT x 90°
56	177305	1	Blade Shaft Assy (Incl. 57-62 & 67-68)	118	020819	2	Fitting, 3/8 NPT x 3/8" Barb
57	177290	1	Capscrew, Hex Hd., 1/2-20UNF-LH x 1.0"	119	161225	1	Tubing, 3/8" ID x 16" Long
58	030951	1	Collar, Outer	120	161158	1	Bulb, Primer
59	030945	1	Collar, Inner	121	161194	1	Tubing, 3/8" ID x 12" Long
60	139274	1	Spacer	122	161181	1	Fitting, 90° Elbow 1/2NPT x 3/8" Barb
61	139273	2	Bearing	123	161159	1	Strainer, Suction
62	177416	1	Housing, Blade Shaft	124	030580	2	Bearing, Head Pivot
63	020314	4	Capscrew, Hex Hd., 5/16-24 x 3/4"	124A	020553	4	Setscrew, Socket Hd., 1/4-28 x 1/4"
64	020763	4	Washer, Flat 5/16"SAE	125	177379	1	Tubing, 3/8" ID x 32" Long
65	020785	4	Lockwasher, Split, 5/16"	126	020764	2	Washer, Flat 3/8" SAE
				127	020089	1	Key, Woodruff (ANSI #403)
				128	163187	4	Washer, Flat .06 x .38ID x 1.5"OD

FIGURE 4 - LOWER SAW ASSEMBLY, GASOLINE MODEL

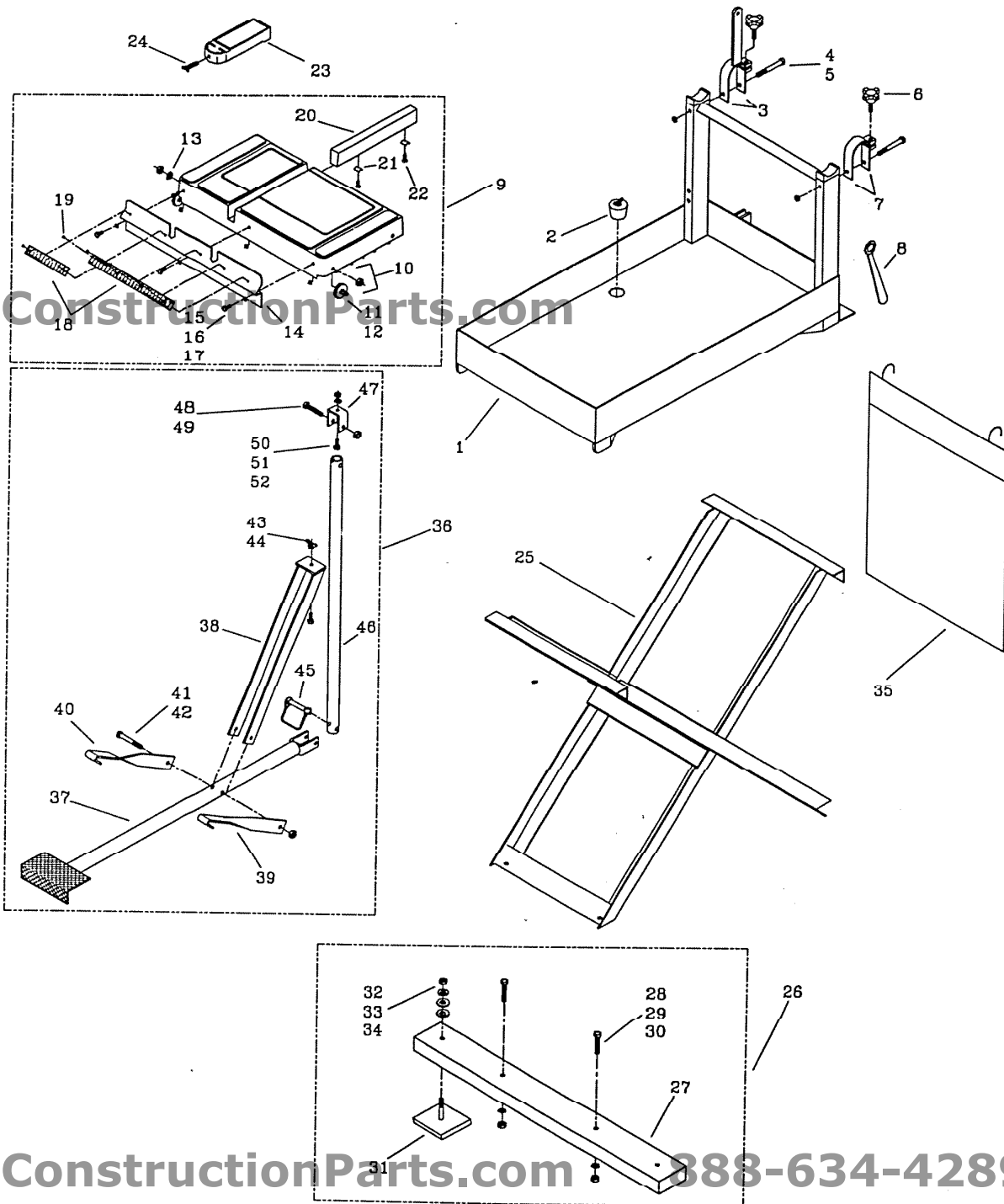


FIGURE 4 - PARTS LIST

DIAG. LOC.	PART NO.	QTY. REQ.	DESCRIPTION	DIAG. LOC.	PART NO.	QTY. REQ.	DESCRIPTION
1	177409	1	Pan Weldment	26	177401	1	Skid Kit (Optional)
2	030386	1	Drain Plug Assembly	27	177399	2	Skid, Wooden
3	030971	1	Tilt Arm Clamp	28	020509	4	Capscrew, Hex Hd., 3/8-16 x 2"
4	020330	2	Capscrew, Hex Hd., 3/8-16 x 3"	29	020743	4	Washer, Flat 3/8"
5	020199	2	Locknut, Fiber 3/8-16	30	020199	4	Locknut, Fiber, 3/8-16
6	030610	2	Knob, Hand (early models)	31	161195	4	Pad, Skid
--	048742	2	Capscrew, Hex Hd., 5/16-18 x 1-1/4"	32	020743	4	Washer, Flat 3/8"
--	020763	2	Washer, Flat, 5/16" SAE	33	020745	8	Washer, Flat 1/2"
7	030591	1	Clamp	34	020199	4	Locknut, Fiber, 3/8" - 16
8	177383	1	Wrench, Blade Shaft	35	030402	1	Curtain, Splash
9	177303	1	Conveyor Cart Kit, Complete	36	034050	1	Foot Pedal Kit (Optional)
10	030049	1	Wheel Kit, Set of 4, w/ Nuts	37	034051	1	Foot Pedal
11	030822	4	Wheel, Cart	38	034055	1	Support, Foot Pedal
12	032366	4	Nut, Keps 5/16-18UNC	39	034058	1	Support, Pedal, Right
13	020763	2	Washer, Flat 5/16" SAE	40	034059	1	Support, Pedal, Left
14	177318	1	Backstop	41	020329	1	Capscrew, Hex Hd., 3/8-16 x 2-3/4"
15	020301	3	Capscrew, Hex Hd., 1/4-20 x 5/8"	42	020199	1	Locknut, Fiber 3/8-16
16	020784	3	Lockwasher, Split, 1/4"	43	020298	1	Wingnut, 3/8" 16
17	020133	3	Nut, Hex 1/4" - 20 RH	44	020323	1	Capscrew, Hex Hd., 3/8-16 x 1"
18	177404	1	Ruler Set, Conveyor Cart, Honda Eng	45	160080	1	Pin, Snapper
19	020432	5	Screw, Pan Head #10-24 x 3/8"	46	034061	1	Rod, Tilt
20	030362	1	Insert, Wood Assembly	47	034062	1	Yoke, Tilt Rod
21	170038	2	Tubing, 3/8" ID x 5/8" Cut in half (cust)	48	020509	1	Capscrew, Hex Hd., 3/8-16 x 2"
22	020699	2	Wood Screw, Round Hd., #8 x 1"	49	020199	1	Locknut, Fiber 3/8" - 16
23	030350	1	Guide, Measuring (Incl. Item 24)	50	020313	1	Capscrew, Hex Hd., 5/16-18 x 3/4"
24	020600	1	Screw, Thumb, 5/16-18 x 1" Flat Pt	51	020705	1	Lockwasher, Split, 5/16"
25	034040	1	Stand Assembly (Optional)	52	020134	1	Nut, Hex 5/16" - 18