

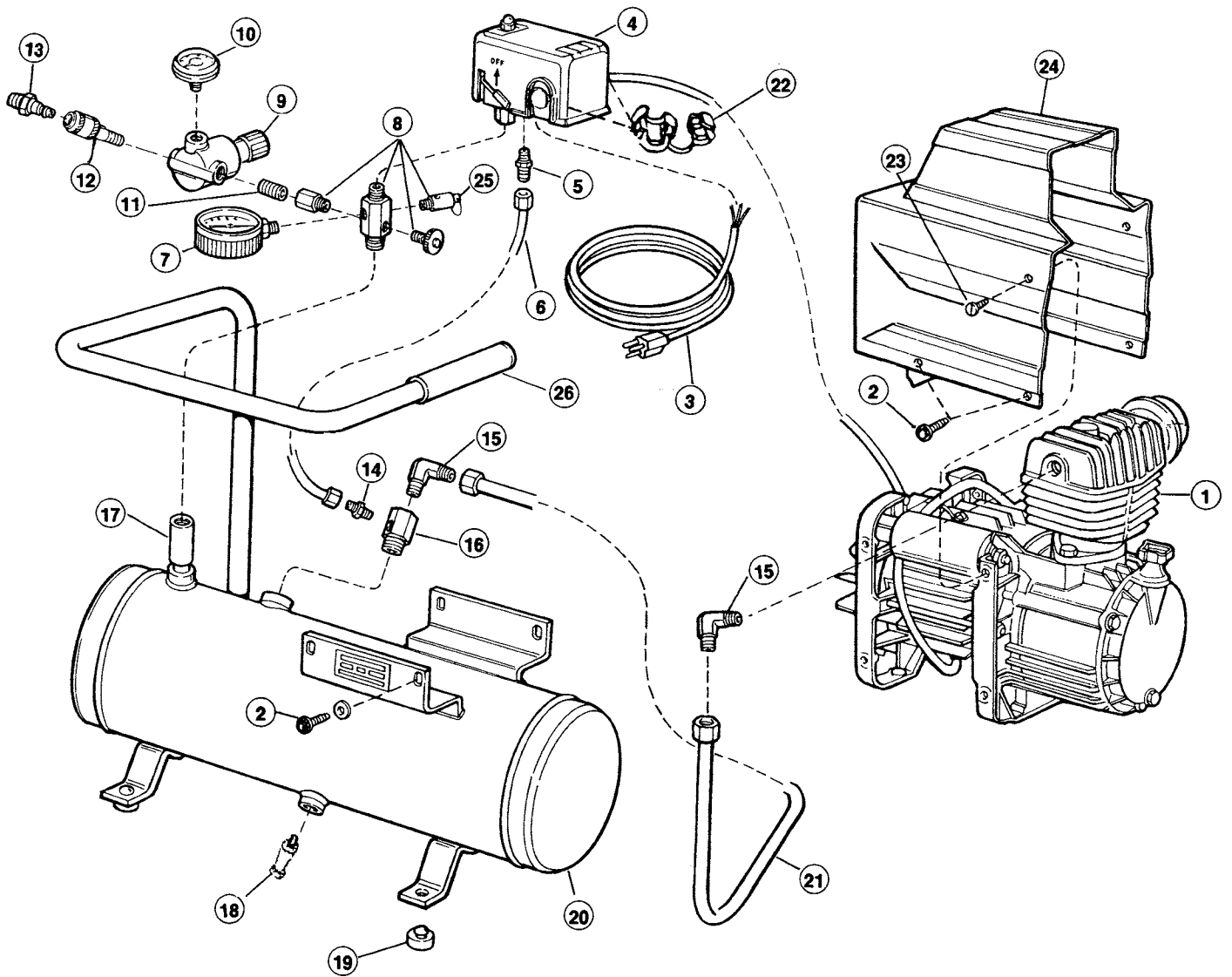


# ROLAIR

SCHEMATIC FOR MODELS

D075LS3 D1500HS3


D075HS3





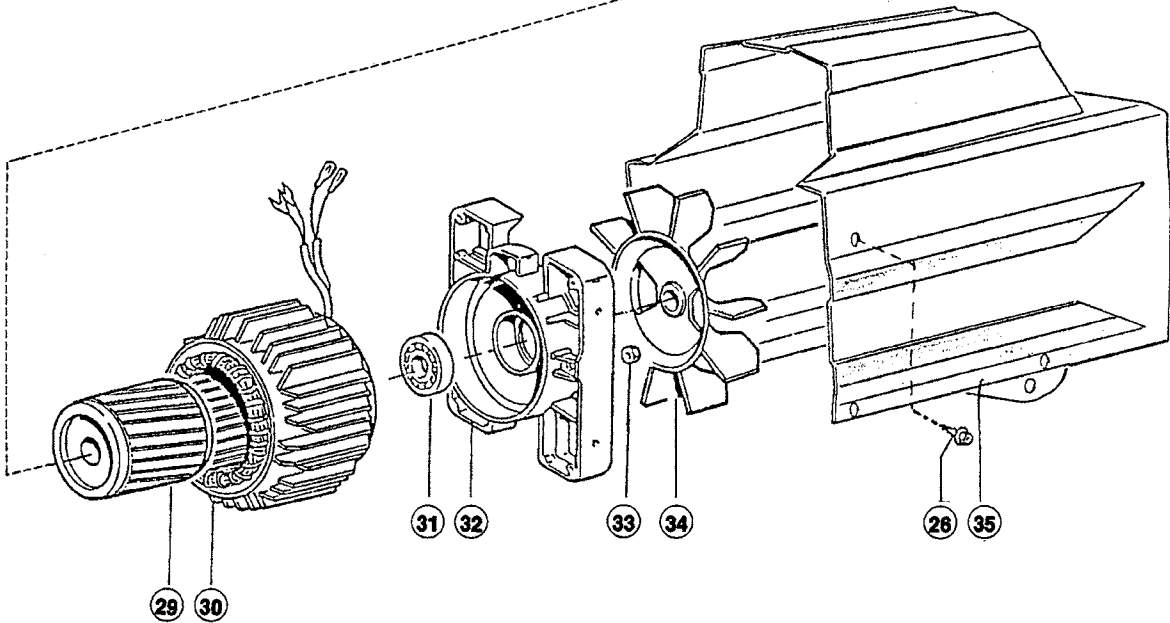
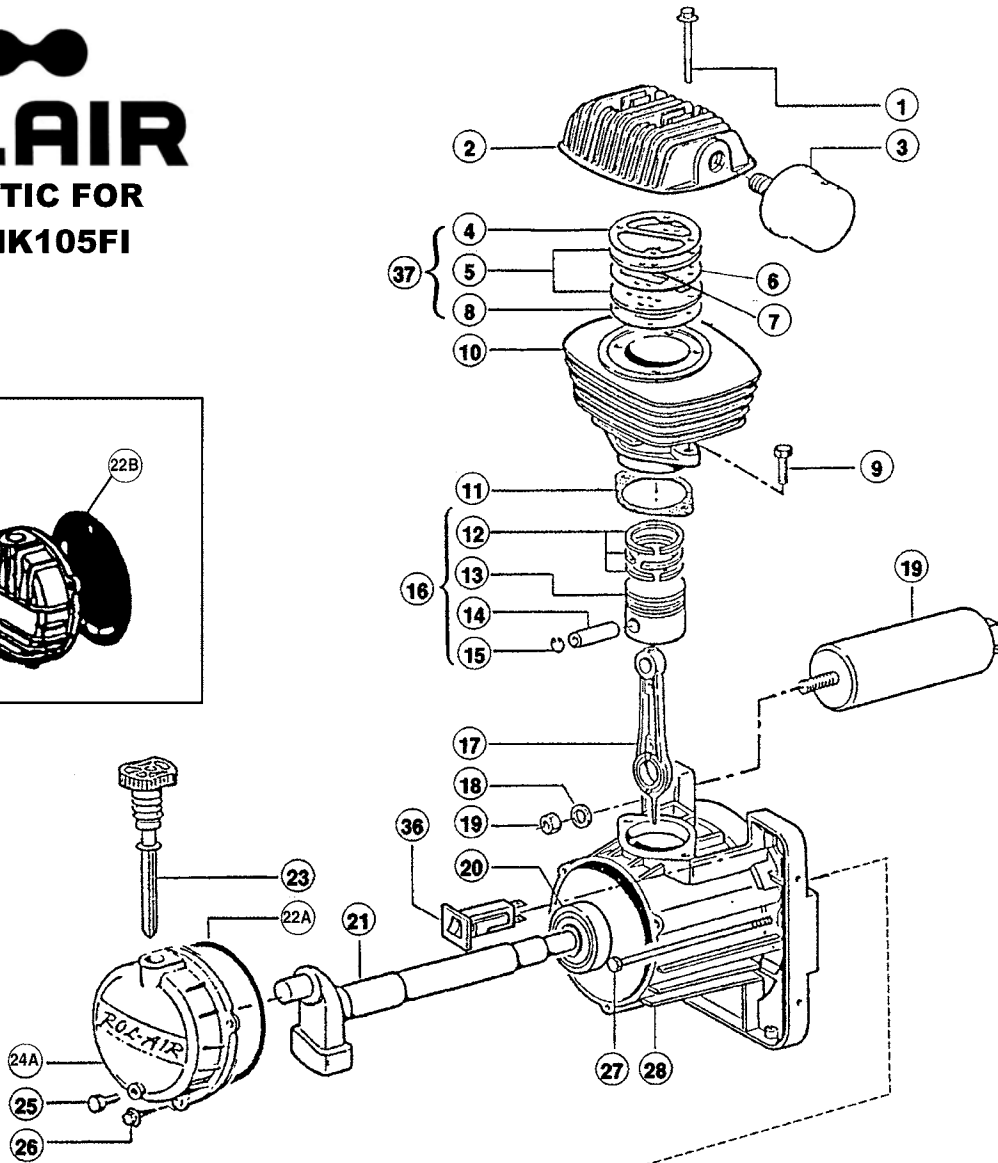
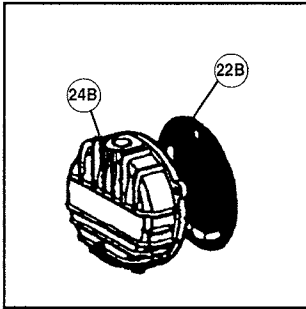
**PARTS LIST FOR MODELS  
D075LS3 D075HS3 D1500HS3**

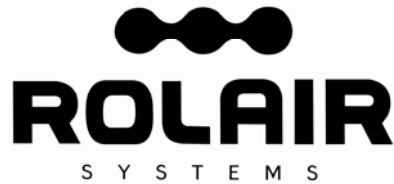
Schematic #	Description	Part #	Qty.
1	1 HP Pump Motor – Model D075HS3	PMP11MK100FI	1
	1 HP Pump/Motor – Model D075LS3	PMP11MK105FI	1
	2 HP Pump/Motor – Model D1500HS3	PMP11MK200FI	1
2	Screw	MIS10036	4
3	Cord w/Plug	176	1
4	Pressure Switch	PS2020	1
5	Pressure Switch Relief Valve	PS2020RV	1
6	¼" Nylon Tubing	Specify Model	1
7	Gauge – Tank	GA0250200	1
8	Brass Manifold	154A	1
9	Regulator	REG0250M	1
10	Gauge – Line	GA0125200	1
11	Nipple	BLNP0250X1500	1
12	Quick Disconnect	308	1
13	Coupler Plug	310	1
14	Brass Straight (D075LS3, D075HS3 Only)	BRST0250X012538	1
15	Brass Elbow (D075LS3, D075HS3 Only) (D1500HS3 Only)	BREL0375X037539	1
		BREL0500X037539	1
16	Check Valve (D1500HS3 Only) w/Bleeder Valve	CV3X4TWB	1
	Bleeder Valve	CSV0125	1
	All Other Models	CV3X4T	1
17	Coupling	BLCP0500	1
18	Drain Valve	132B	1
19	Rubber Foot	218	4
20	Tank Assembly	TNKASYS3	1
21	3/8" Copper Tube (D075LS3, D075HS3)	Specify Model	1
	½" Copper Tube (D1500HS3)	Specify Model	1
22	Box Connector	160	2
23	Screw	014006121F	2
24	Shroud	199657000F	1
25	Safety Valve	Consult Factory	1
26	Handle Grip	328	1
	Intake Filter Assembly	317013000F	
	Filter Element	317013004FE	



# ROLAIR

**SCHEMATIC FOR  
PMP11MK105FI**





**PARTS LIST FOR PMP11MK105FI**

Schematic #	Description	Part #	Qty.
1	Bolt	014002021F	4
2	Head	116001005F	1
3	Intake Filter Assembly	317013000F	1
	Filter Element	317013004FE	1
4	Gasket	116022009F	1
5	Valve Plate	116022013F	2
6	Gasket	116022012F	1
7	Valve	116022038F	2
8	Gasket	116022010F	1
9	Bolt	MIS10049	2
10	Cylinder	116032060F	1
11	Gasket	116022029F	1
12	Ring Set	216022002F	1
13	Piston	116022004F	1
14	Piston Pin	116022040F	1
15	Snap Ring	015001000F	2
16	Piston Assembly	416022004F	1
17	Connecting Rod	116091021F	1
18	Washer	014005006F	1
19	Capacitor	009200026F	1
20	Bearing	033018000F	1
21	Crankshaft	116032006F	1
22A	O-Ring	010013000F	1
22B	Diaphragm	116001025F	1
23	Dipstick	012035000F	1
24A	Crankcase Cover	116022006F	1
24B	Crankcase Cover*	N.L.A.	1
25	Drain Plug	014013024F	1
26	Screw	014006121F	5
27	Bolt	116011038F	2
28	Motor Housing	116022051F	1
29	Rotor	116022026F	1
30	Stator	416053641F	1
31	Bearing	033005000F	1
32	End Bell	116011002F	1
33	Nut	014003002F	2
34	Fan	116001003F	1
35	Shroud	199657000F	1
36	Manual Reset Button	008017000F	1
37	Valve Plate Assembly	116022100F	1
	Gasket Set	216032001F	1

\*Use 116022006F cover and 116001025F diaphragm