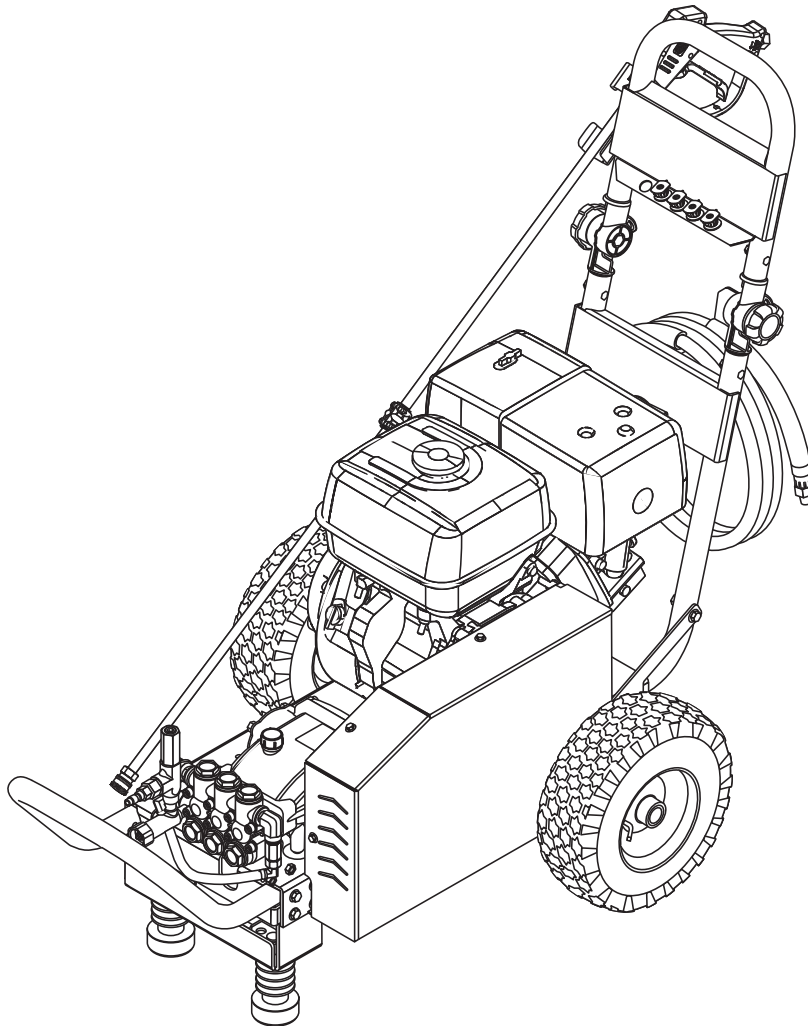


# SERVICE MANUAL



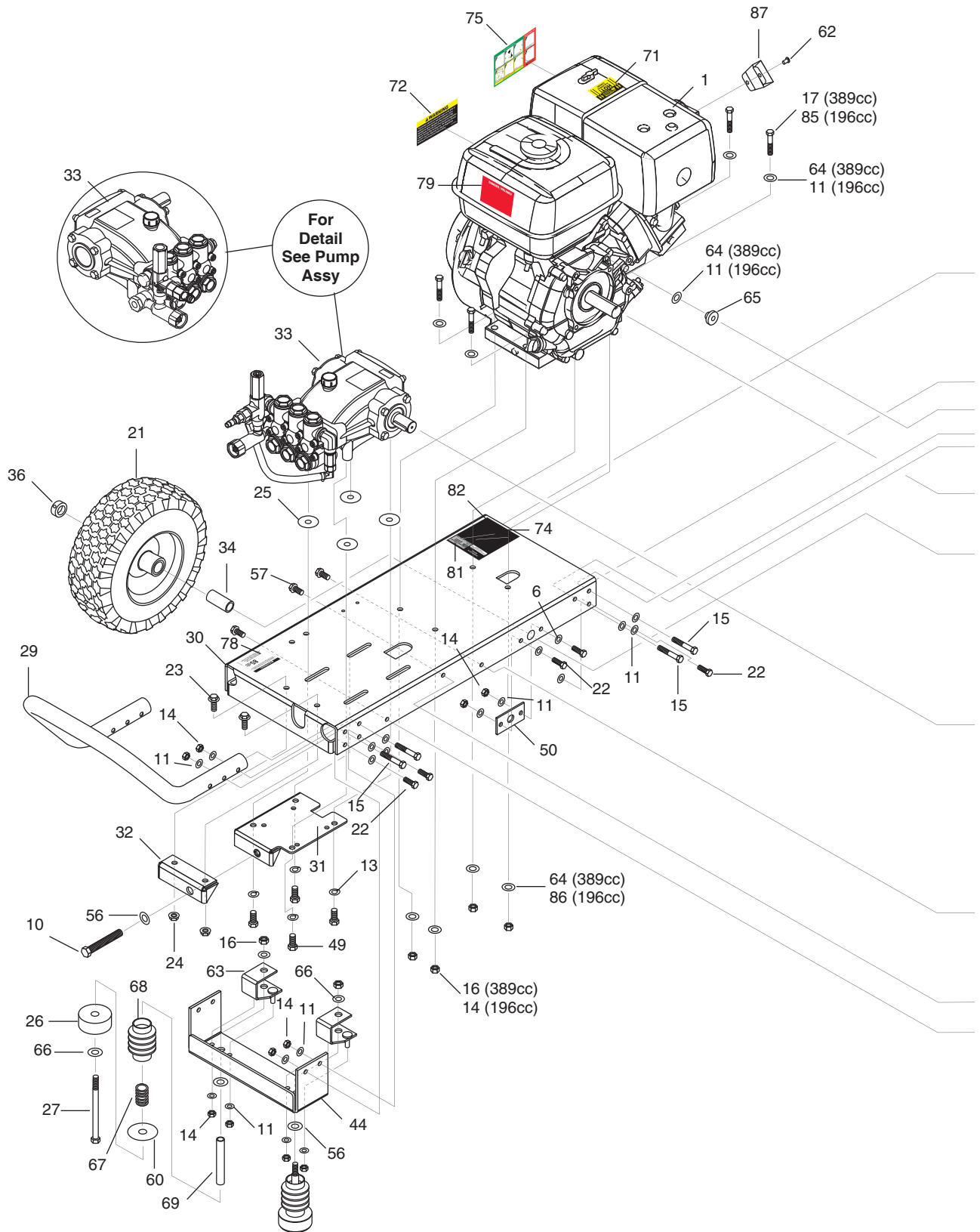
**MODEL #**

**ORDER #**

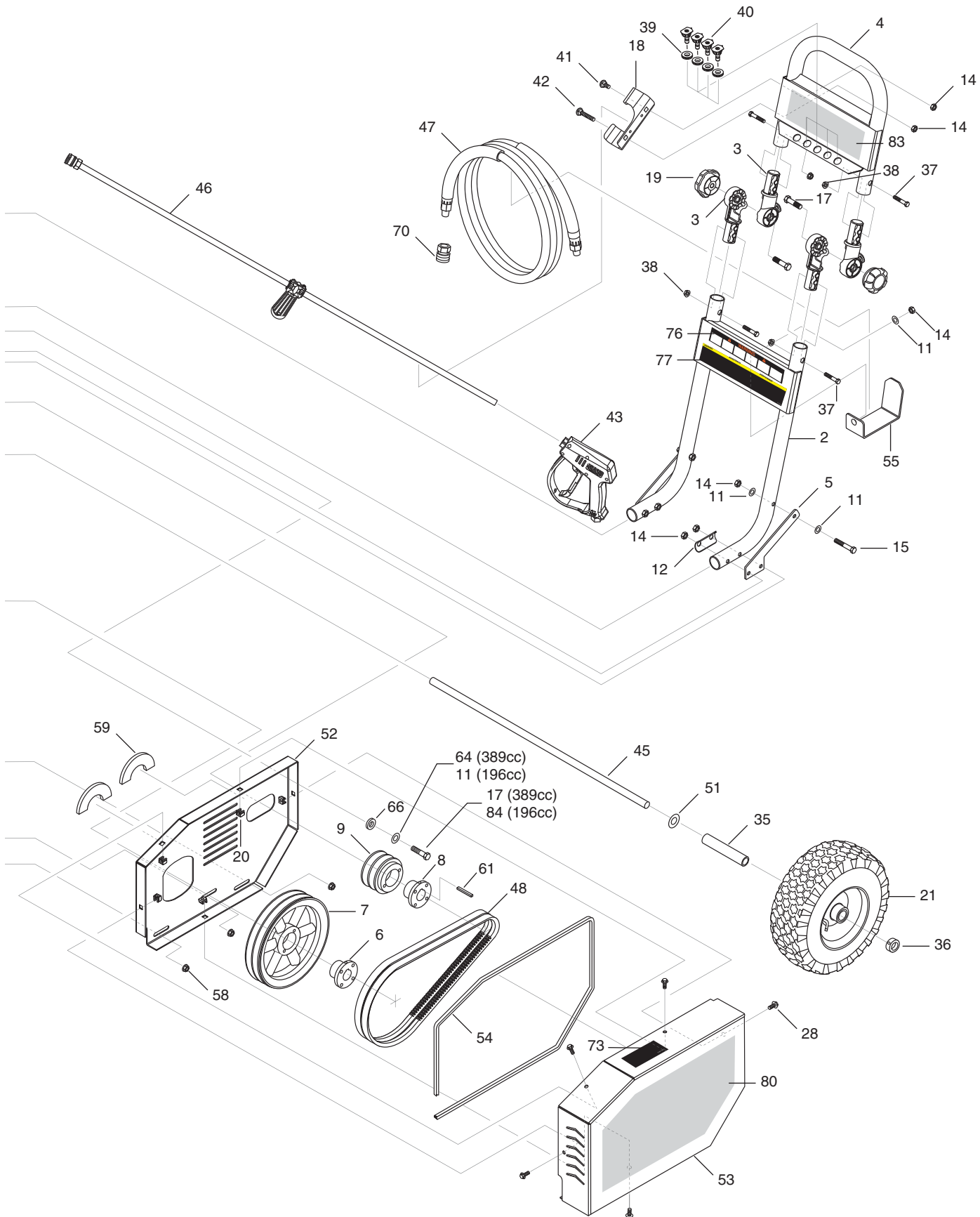
---

<b>HD 2.5/27 PB AL</b>	<b>1.107-132.0</b>
<b>HD 3.7/35 PB AL</b>	<b>1.107-133.0</b>
<b>PGA3-27324</b>	<b>1.107-127.0</b>
<b>PGA4-35324</b>	<b>1.107-128.0</b>
<b>BXA-252739</b>	<b>1.107-120.0</b>
<b>BXA-373539</b>	<b>1.107-121.0</b>
<b>BGA-252737</b>	<b>1.106-057.0</b>
<b>BGA-373537</b>	<b>1.106-058.0</b>
<b>BGA-373537</b>	<b>1.107-251.0</b>

# EXPLODED VIEW



# EXPLODED VIEW



## EXPLODED VIEW PARTS LIST (CONT)

ITEM	PART NO.	DESCRIPTION	QTY	ITEM	PART NO.	DESCRIPTION	QTY
1	8.750-580.0	Engine, Honda, GX390UT2QA2 (389 cc)	1	30	8.919-349.0	Al Base Long (389 cc)	1
	9.802-317.0	Engine, Honda, GX200UTQX2 (196 cc)	1		8.919-401.0	Al Base Short (196 cc)	1
2	8.917-978.0	Handle Support Assy Al Direct Drive	1	31	8.919-352.0	Under-Frame Slider	1
3	9.135-007.0	Rotary Tube-Joint	4	32	8.919-354.0	Slider Stiffener Long	1
4	8.917-976.0	Handle Assy Al Direct Drive	1	33		Pump Assy 2700 PSI (See M4035R Specs Pages)	1
5	8.921-257.0	Handle Stiffener Al	2			Pump Assy 3500 PSI (See D3030R Specs Pages)	1
6	9.802-402.0	Bushing, H X 24MM	1	34	8.919-356.0	Axle Spacer RH 2.5" (389 cc)	1
7	8.715-593.0	Pulley, 2BK 90 H (389 cc)	1		8.918-079.0	Axle Spacer Silver (196 cc)	1
	9.802-380.0	Pulley, BK 80 H (196 cc)	1	35	8.923-646.0	Axle Spacer Left 6.00"	1
8	9.802-399.0	Bushing, H X 1 (389 cc)	1	36	9.802-782.0	Collar, 5/8" Bore Shaft	2
	9.803-897.0	Bushing, H X 3/4 (196 cc)	1	37	9.196-307.0	1/4-20 x 1-1/2 GR 2 Hex Bolt Zinc	4
9	8.715-576.0	Pulley, 2BK 32 H (389 cc)	1	38	9.197-010.0	1/4-20 Nylon Insert Lock Nut	4
	9.802-379.0	Pulley, BK 36 H (196 cc)	1	39	9.802-064.0	Grommet, Ruber, Nozzle Holder	4
10	9.802-740.0	Bolt, 1/2 X 3-1/2", NC HH(615595)	1	40		Quick Connect Nozzle Kit (389 cc)	1
11	8.718-980.0	Washer, 5/16" (389 cc) (196 cc)	41 47		8.712-345.0	▲ Nozzle, SAQCMEG 0004, RED	
12	9.803-114.0	Retainer Bracket, Handle, Black	2		8.712-346.0	▲ Nozzle, SAQCMEG 1504, YELLOW	
13	9.802-816.0	Washer, 7/16", Lock Split Ring (389 cc)	4		8.712-347.0	▲ Nozzle, SAQCMEG 2504, GREEN	
	9.802-813.0	Washer, 5/16", Lock Split Ring (196 cc)	4		8.712-348.0	▲ Nozzle, SAQCMEG 4004, WHITE	
14	9.802-776.0	Nylon Insert Nut 5/16" (389 cc) (196 cc)	27 31			Quick Connect Nozzle Kit (196 cc)	1
15	9.802-716.0	Bolt, 5/16" X 2"	10		8.712-331.0	▲ Nozzle, SAQCMEG 0003, Red	
16	9.197-003.0	3/8-16 Nylon Insert (389 cc) (196 cc)	6 2		8.712-333.0	▲ Nozzle, SAQCMEG 1503, Yellow	
17	9.196-041.0	Hex Head Bolt 3/8-16 X 1-3/4 (389 cc) (196 cc)	7 2		8.712-334.0	▲ Nozzle, SAQCMEG 2503, Green	
18	8.918-437.0	Holder Wand Left Silver	1		8.712-335.0	▲ Nozzle, SAQCMEG 4003, White	
19	9.136-502.0	Knob	2	41	8.718-625.0	Bolt, 5/16"-18X3/4", NC Crrge	1
20	9.802-793.0	Nut, Cage, 1/4" X 16 GA	5	42	9.802-712.0	Bolt, 5/16"-18 X 1-3/4", NC Carriage	1
21	8.754-435.0	Wheel & Pu Tire Assy, 12" Steel Rim (389 cc)	2	43	8.750-247.0	Trigger Gun Model M407	1
	8.754-186.0	Qh Wheel Assy, 10" Gray Steel Rim W/Tube	2	44	8.919-348.0	Al Foot Belt Drive (389 cc)	1
22	9.802-710.0	Screw 5/16" x 1" NC	10		8.919-421.0	Al Foot Belt Drive Short(196 cc)	1
23	9.802-767.0	Screw, 3/8" X 3/4"	2	45	8.908-396.0	Axle, front 5/8 x 27.80" (389 cc)	1
24	9.802-781.0	Nut, 3/8" NC, Whiz Loc Flange	2		8.919-422.0	Axle Short Base Al 24" (196 cc)	1
25	9.802-811.0	Washer, 3/8" X 1-1/2" (389 cc)	4	46	8.783-040.0	Wand 44" Zinc Plated, Handle & Coupler (389 cc)	1
26	9.802-066.0	Pad Soft Rubber	2		8.783-039.0	Wand 30" Zinc Plated, Handle & Coupler (196 cc)	1
27	8.718-684.0	Bolt, 3/8" X 5"	2				
28	9.802-754.0	Screw, 1/4" x 1/2" NC	5				
29	8.919-712.0	Aluminium Bumper	1				

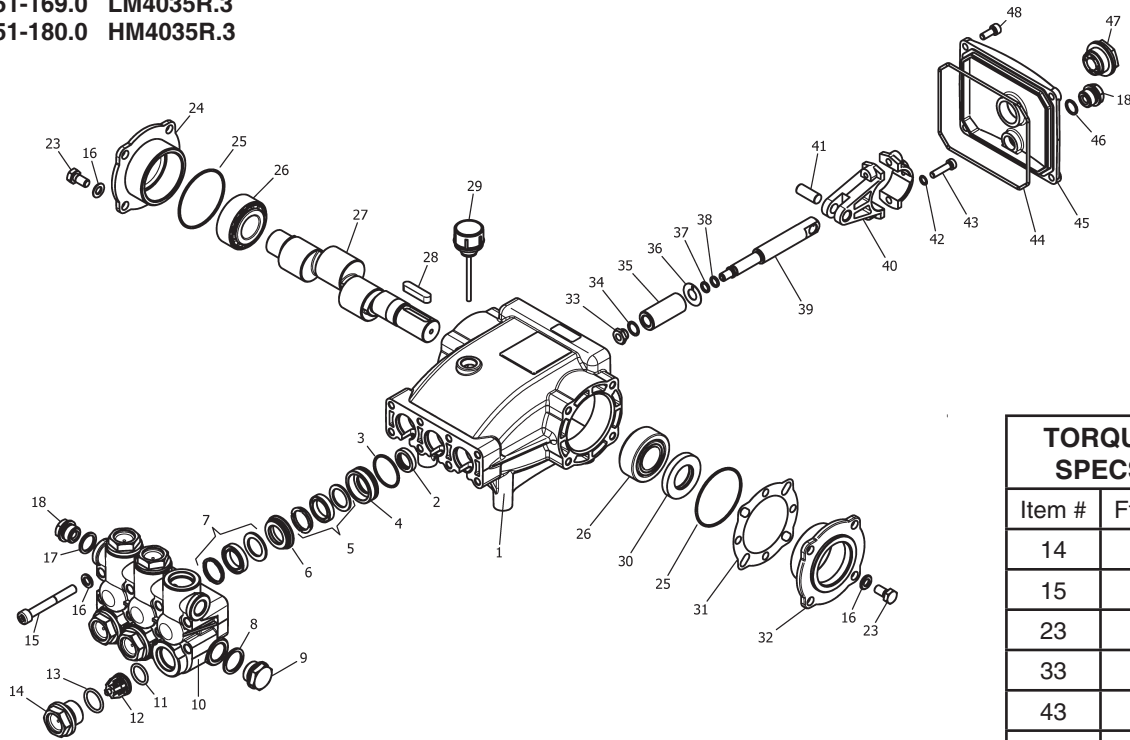
## EXPLODED VIEW PARTS LIST (CONT)

ITEM	PART NO.	DESCRIPTION	QTY	ITEM	PART NO.	DESCRIPTION	QTY
47	8.916-740.0	Hose, 3/8" x 50', 1 Wire Tuff-Skin (BGA Models)	1	76	8.783-036.0	Label, Warning Pictogram	1
	8.739-011.0	Hose, 3/8" x 50', 1 Wire Tuff-Skin (BXA Models)	1	77	8.750-809.0	Label Operation Warn Trilingual Small	1
	8.739-021.0	Hose, 3/8" x 50', 1 Wire Tuff-Skin (HD Models)	1	78	8.783-038.0	Label, Universal DB Rating, Ear Protection	1
	8.739-026.0	Hose, 3/8" x 50', 1 Wire Tuff-Skin (PGA Models)	1	79	9.800-008.0	Label, Danger Cool Engine	1
48	9.802-417.0	Belt, BX38 (389 cc)	2	80	8.751-861.0	Label, Long (HD Models) (389 cc)	1
	8.715-695.0	Belt, BX34 (196 cc)	1		8.751-862.0	Label, Short (HD Models) (196 cc)	1
49	8.751-212.0	Bolt M10 X 25MM (389 cc)	4		8.750-465.0	Label, Guard (PGA Models)	1
	9.802-742.0	Bolt, 8mm x 20mm (196 cc)	4		8.704-654.0	Label, Logo Red (BXA Models)	1
50	8.919-423.0	Axle Holder Al Frame	2		8.900-870.0	Label, Logo Die-Cut (058.0)	1
51	9.802-810.0	Washer Flat 5/8"	2		8.753-776.0	Label, Guard (251.0)	1
52	8.919-350.0	Al Back Beltguard Long (389 cc)	1	81	8.901-219.0	Label, ETL, Mty, UL 1776	1
	8.919-402.0	Al Back Beltguard Short(196 cc)	1	82	9.800-034.0	Label, Clear Lexan 4.3" X 5.5"	1
53	8.919-351.0	Front Beltguard Long (389 cc)	1	83	8.750-284.0	Label Name Plate (HD Models)	1
	8.919-403.0	Front Beltguard Short (196 cc)	1		8.750-285.0	Label NamePlate (PGA Models)	1
54	9.802-071.0	Al Trim, 750 B2 X 1/16	4.5 ft.		8.750-286.0	Label Name Plate (BXA Models)	1
55	8.919-796.0	Hose Hanger Al Frames	1		8.750-714.0	Label Name Plate (058.0)	1
56	9.802-809.0	Washer, 1/2" Flat	3		8.753-774.0	Label Name Plate (251.0)	1
57	9.803-551.0	Screw, 5/16" x 3/4"	3	84	9.196-021.0	Socket Head Screw, 5/16"-24 x1.25" (196 cc)	1
58	9.802-778.0	Nut, Whiz Loc 5/16 Flange	3	85	9.802-713.0	Bolt, 5/16" X 1-1/2" (196 cc)	1
59	8.932-993.0	Cushion, Pump	2	86	9.198-014.0	Washer 21/64 X 1" (196 cc)	1
60	9.802-819.0	Washer, 7/16" x 2 1/2"	2	87	8.919-425.0	Al Muffler Deflector	1
61	9.802-958.0	Key, 0.185 SQR X 1.75" (196 cc)	1			▲ Not Shown	
	9.802-959.0	Key, 0.247 SQR X 2.125" (389 cc)	1				
62	8.753-995.0	Screw, M4-0.7x8 P BH TC ST	2				
63	8.919-592.0	Suspension Bracket	2				
64	9.802-817.0	Washer, 3/8" x 1" (389 cc)	13				
65	9.802-053.0	Bushing, Fuel Line, Rubber	1				
66	8.736-004.0	Rubber Washer	1				
67	8.719-091.0	Spring, Foot, Compression	2				
68	8.706-557.0	Bellows, Leg (BOOT)	2				
69	8.719-954.0	Tube, PC Foot Bolt	2				
70	9.802-166.0	Coupler, 3/8" Socket, Female, Brass	1				
71	9.800-006.0	Label, Hot/Caliente W/Arrows	1				
72	8.751-096.0	Label, Regulation 4442.6	1				
73	8.932-965.0	Label, Warning-Exposed Pulleys	1				
74	8.930-124.0	Label, Intended For Outdoor Use-Mexico	1				
75	8.783-034.0	Label, Quick Start Guide	1				



## M4035R.3 SERIES PUMP EXPLODED VIEW

8.751-189.0 KM4035R.3  
 8.751-169.0 LM4035R.3  
 8.751-180.0 HM4035R.3



TORQUE SPECS	
Item #	Ft.-lbs
14	75
15	30
23	8
33	9
43	13
48	7.6

## M4035R.3 SERIES PUMP EXPLODED VIEW PARTS LIST

ITEM	PART NO.	DESCRIPTION	QTY	ITEM	PART NO.	DESCRIPTION	QTY
1	8.751-216.0	Crankcase	1	23	9.802-944.0	Hexagonal Screw	8
2*	See Kits Below	Plunger Oil seal	3	24	8.717-210.0	Closed Bearing Housing	1
3*	See Kits Below	O-Ring Ø1.78 x 31.47	3	25	9.803-192.0	O-Ring Ø1.78 x 60.05	2
4*	See Kits Below	Pressure Ring	3	26	8.933-011.0	Tapered Roller Bearing	2
5*	See Kits Below	U-Seal	3	27	9.803-146.0	Crankshaft (3540)	1
6*	See Kits Below	Intermediate Ring	3		9.803-147.0	Crankshaft (4035)	1
7*	See Kits Below	U-Seal	3	28	9.803-167.0	Crankshaft Key	1
8	9.803-199.0	Washer, Copper	1	29	9.802-921.0	Oil Dip Stick	1
9	9.802-926.0	Plug, Brass 1/2	1	30	9.803-140.0	Crankshaft Seal	1
10	8.751-218.0	Manifold Head	1	31	9.803-178.0	Shim	2
11*	See Kits Below	O-Ring Ø2.62 x 17.13	6	32	8.717-209.0	Bearing Housing	1
12*	See Kits Below	Valve Assembly	6	33*	See Kits Below	Plunger Nut, M8	3
13*	See Kits Below	O-Ring Ø2.62 x 20.29	6	34*	See Kits Below	Copper Spacer	3
14	9.802-928.0	Valve Plug	6	35*	See Kits Below	Plunger (4035) Plunger (3540)	3 3
15	9.802-938.0	Manifold Stud Bolt	8	36*	See Kits Below	Copper Spacer	3
16	9.802-884.0	Washer	16	37*	See Kits Below	O-Ring Ring	3
17	9.803-198.0	Copper Washer 3/8	1	38*	See Kits Below	Teflon Ring	3
18	9.802-925.0	Brass Plug 3/8	2	39	9.803-144.0	Plunger Rod	3

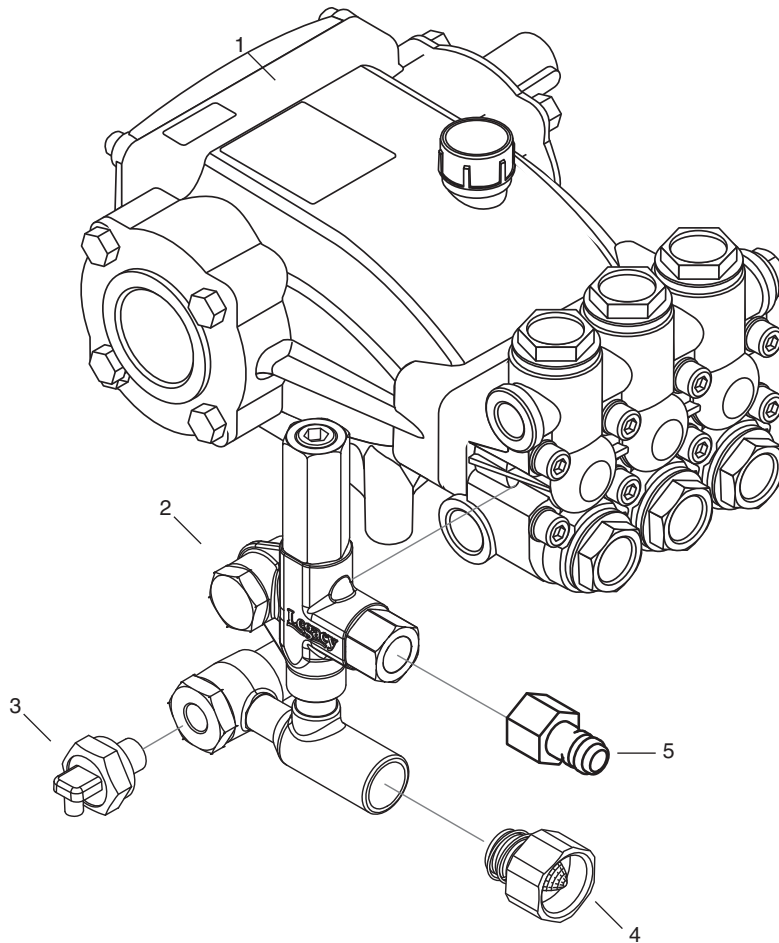
## M4035R.3 SERIES PUMP EXPLODED VIEW PARTS LIST

ITEM	PART NO.	DESCRIPTION	QTY
40	9.803-158.0	Connecting Rod	3
41	8.751-228.0	Connecting Rod Pin	3
42	9.803-218.0	Spring Washer	6
43	9.803-238.0	Connecting Rod Screw	6
44	70-060009	O-Ring, Ø2.62 x 126.67	1
45	8.751-229.0	Crankcase Cover	1
46	9.803-197.0	O-Ring, Ø1.78 x 14	1
47	9.803-202.0	Sight Glass 3/4	1
48	9.802-939.0	Cover Screw	5

\* Available in kit (See below)

REPAIR KIT NO.	8.725-360.0	8.725-358.0	8.725-361.0	8.725-359.0	8.725-237.0	8.933-023.0	9.802-603.0	9.802-609.0
KIT DESCRIPTION	Plunger Seal 4035 18mm	Plunger Seal 3540 15mm	Complete Seal Packing 4035 18mm	Complete Seal Packing 3540 15mm	Plunger 4030 18mm	Plunger 3540 15mm	Complete Valve	Plunger Oil Seals
ITEM NUMBERS INCLUDED	3, 5, 7	3, 5, 7	3, 4, 5, 6, 7	3, 4, 5, 6, 7	33, 34, 35, 36, 37, 38	33, 34, 35, 36, 37, 38	11, 12, 13	2
NO. OF CYLINDERS KIT WILL SERVICE	3	3	1	1		1	6	3

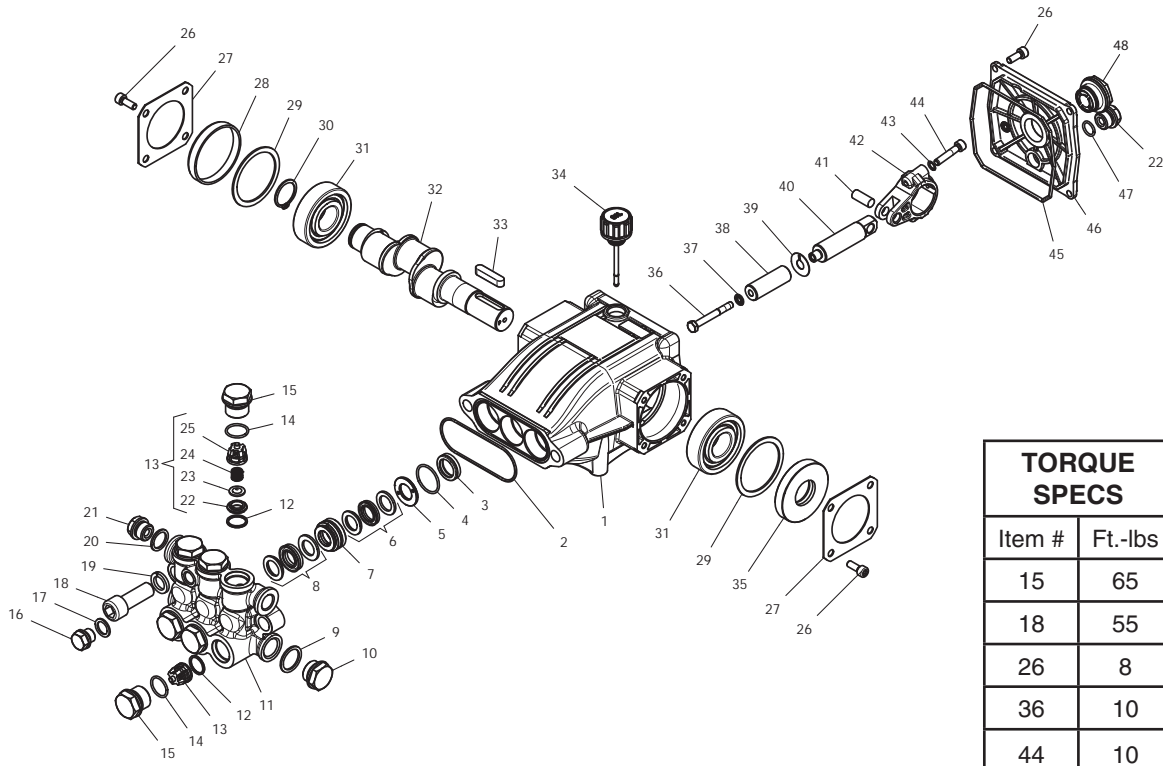
# LB 3030R PUMP ASSEMBLY EXPLODED VIEW



ITEM	PART NO.	DESCRIPTION	QTY
1	8.923-781.0	Pump, KB3030R, 3@3000,1650 RPM	1
	8.923-753.0	Pump, LB3030R, 3@3000, 1650 RPM	1
	8.923-767.0	Pump, HB3030R, 3@3000, 1650 RPM	1
2	8.754-696.0	Unloader VBT Banjo 1/2"M 3/8"M, 300 PSI	1
3	9.804-025.0	Pump Protector, 1/4" 145 Deg	1
4	9.802-146.0	Swivel, 1/2" MP x 3/4" GHF W/Strainer	1
5	9.802-170.0	Coupler, 3/8" Plug, Female Steel/Zinc	1

## LB3030R PUMP EXPLODED VIEW

8.923-353.0



TORQUE SPECS	
Item #	Ft.-lbs
15	65
18	55
26	8
36	10
44	10

### LB3030R PUMP EXPLODED VIEW PARTS LIST

ITEM	PART NO.	DESCRIPTION	QTY	ITEM	PART NO.	DESCRIPTION	QTY
1	8.754-841.0	Crankcase	1	20	9.803-198.0	Washer, Copper G3/8	1
2	8.754-846.0	O-ring Ø1.78 X 72.75	1	21	8.707-262.0	Plug, Brass G3/8	2
3*	See Kits Below	Plunger Oil Seal	3	22*	See Kits Below	Valve Seat	6
4*	See Kits Below	O-ring Ø1.78 X 26.7	3	23*	See Kits Below	Valve Plate	6
5*	See Kits Below	Washer, Pressure Ring 16 mm	3	24*	See Kits Below	Valve Spring	6
6*	See Kits Below	U-Seal, 16 mm	3	25*	See Kits Below	Valve Cage	6
7*	See Kits Below	Pressure Ring, 16 mm	3	26	9.802-939.0	Screw, M6 X 16	12
8*	9.803-199.0	U-Seal, 16 mm	3	27	8.717-137.0	Bearing Cover	2
9	9.803-199.0	Washer, Copper G1/2	1	28	9.803-954.0	Bearing Seal	1
10	9.802-926.0	Plug, Brass G1/2	1	29	8.754-843.0	Seal Spacer, Crankshaft	2
11	8.754-852.0	Manifold	1	30	9.802-914.0	Snap Ring, 25 mm	1
12*	8.717-233.0	O-ring Ø1.78 X 15.6	6	31	9.803-955.0	Bearing, Ball	2
13*	See Kits Below	Valve Assembly	6	32	8.754-829.0	Shaft, 24 mm 3030	1
14*	9.803-948.0	O-ring Ø1.78 X 18.77	6		8.754-830.0	Shaft, 24 mm 4025	1
15	9.803-949.0	Valve Plug	6	33	9.803-167.0	Key, Crankshaft	1
16	8.754-851.0	Plug, Brass G1/4	1	34	8.754-219.0	Oil Dipstick	1
17	8.718-973.0	Washer, Copper G1/4	1	35	8.933-010.0	Seal, Crankshaft	1
18	8.754-854.0	Bolt, Manifold M14 X 40	2				
19	8.754-850.0	Washer, Lock	2				

## LB3030R PUMP EXPLODED VIEW PARTS LIST

ITEM	PART NO.	DESCRIPTION	QTY
36*	8.754-855.0	Bolt, Plunger	3
37*	8.754-092.0	Spacer, Copper	3
38*	8.754-848.0	Plunger, 16 mm	3
39*	9.803-962.0	Spacer, Copper	3
40	8.754-827.0	Plunger Rod	3
41	9.803-965.0	Connecting Rod Pin	3
42	9.803-966.0	Connecting Rod	3
43	9.803-218.0	Washer, 6 mm	6
44	8.933-020.0	Screw, Connecting Rod	6
45	8.754-847.0	O-ring Ø2.62 X 111.62	1
46	8.754-842.0	Cover, Crankcase	1
47	9.803-906.0	O-ring Ø1.78 X 14	1
48	9.803-202.0	Sight Glass, G3/4	1

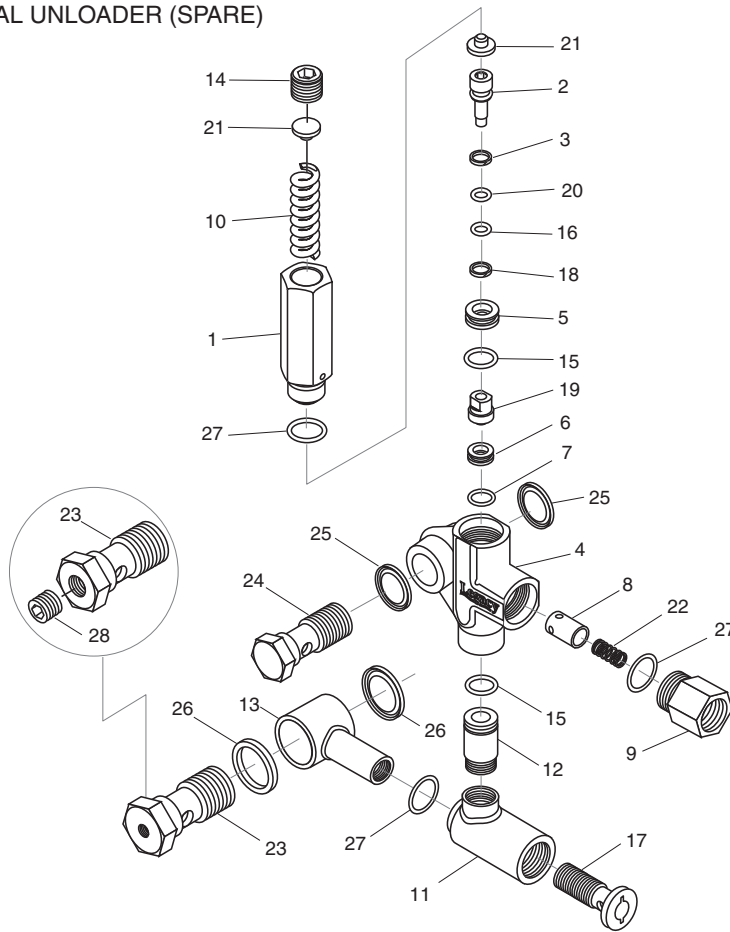
\* Available in kit (See below)

REPAIR KIT NUMBER	8.754-856.0	8.754-857.0	8.754-858.0	8.754-859.0	9.803-937.0
Kit Description	Plunger Seal 16mm	Steel Packing 16mm	Pluger 16 mm	Complete Valve	Plunger Oil Seals
ITEM NUMBERS INCLUDED	4, 6, 8	4, 5, 6, 7, 8	36, 37, 38, 39	12, 13, 14	3
NUMBER OF CYLINDERS KIT WILL SERVICE	3	1	1	6	3

## UU1 UNLOADER EXPLODED VIEW

9.175-018.0

UU1 3500PSI, UNIVERSAL UNLOADER (SPARE)

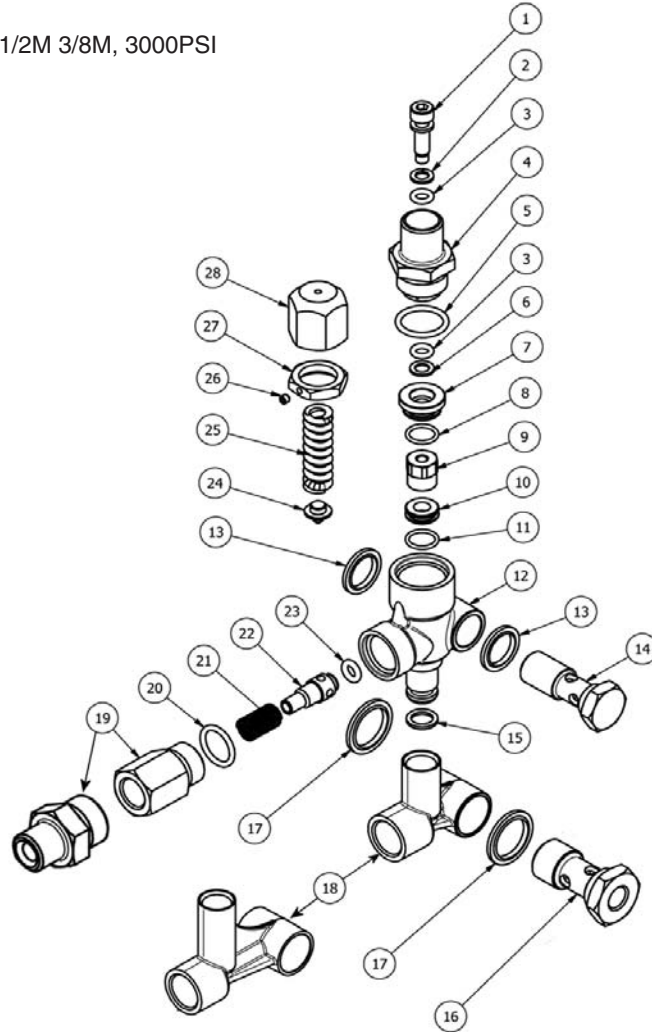


### UU1 UNLOADER EXPLODED VIEW PARTS LIST

ITEM	PART #	DESCRIPTION	KIT	QTY	ITEM	PART #	DESCRIPTION	KIT	QTY
1	8.751-394.0	Piston Housing	D	1	17	9.149-006.0	Sliding Connector Guide		1
2		Piston	C, D	1	18		O-Ring Backup 6 x 1.45 x 1.68	A, D	1
3		Piston O-Ring Back Up	A, D	1	19		Ball Housing Assy	C, D	1
4	8.749-796.0	Main Block		1	20		O-Ring 6.75 x 1.78 BN80	A, D	1
5	9.152-372.0	Piston Ring	D	1	21		Spring Seat	C, D	2
6		Ball Seat	C, D	1	22		Plunger Spring	B	1
7		O-Ring 10.5 ID x 1.5 CS	A,C,D	1	23	8.917-699.0	Banjo Bolt 1/2" Short		1
8		Plunger	B	1		8.917-700.0	Banjo Bolt 1/2"-1/4" NPT Short		1
9	9.152-016.0	Plunger Housing		1	24	8.917-698.0	Banjo Bolt 3/8" Short		1
10		Bypass Spring	C, D	1	25	9.802-893.0	Seal Washer 3/8"		2
11	9.149-001.0	Low Pressure Port		1	26	9.803-921.0	Seal Washer 1/2"		2
12	9.152-017.0	Sliding Connector, 30mm		1		9.802-893.0	Seal Washer 3/8"		2
	8.762-005.0	Sliding Connector, 40mm, Long		1	27		O-Ring 15 ID x 2CS	A,B,D	3
13	9.149-002.0	Sliding Connector H 1/2"		1	28	8.706-865.0	Plug, 1/4" Countersunk		1
	9.149-005.0	Sliding Connector H 3/8"		1	<b>Kit A</b>	9.104-038.0	O-Ring Repair Kit		
14	9.196-011.0	Plug 5/8 -18 UNF	D	1	<b>Kit B</b>	9.104-039.0	Outlet Kit		
15		O-Ring 12 ID x 2 CS	A, D	2	<b>Kit C</b>	9.104-040.0	Stem Basic Kit		
16		O-Ring 6 ID X 2 CS	A, D	1	<b>Kit D</b>	8.920-045.0	UU1 Complete Stem Kit		

## VBT UNLOADER EXPLODED VIEW

8.754-696.0  
UNLOADER, VBT BANJO 1/2M 3/8M, 3000PSI



### VBT UNLOADER EXPLODED VIEW PARTS LIST

ITEM	PART #	DESCRIPTION	KIT	QTY	ITEM	PART #	DESCRIPTION	KIT	QTY
1*	8.754-929.0	Stem	C	1	17	9.803-914.0	Seal Washer 1/2)		1
2*	9.803-912.0	Backup Ring	A	1	18	8.754-937.0	Bypass Manifold		1
3*	8.754-930.0	O-ring, Ø2.62 x 6.02	A	2	19	9.802-892.0	Outlet Connector 3/8 MPT		1
4	8.730-882.0	Stem Connector		1	20*	9.803-191.0	O-ring, Ø2.62 X 17.13	A,B	1
5*	9.803-193.0	O-ring, Ø2.62 x 20.24	A	1	21*	8.933-017.0	Poppet Spring	B	1
6*	9.803-908.0	Backup Ring	A	1	22*	8.754-939.0	Poppet	B	1
7	9.803-907.0	Guide Bushing		1	23*	8.754-940.0	O-ring, Ø3 x 6	A,B	1
8*	9.803-906.0	O-ring, Ø1.78 x 14	A	1	24*	8.754-961.0	Plate	C	1
9*	8.754-959.0	Ball SubAssembly	C	1	25*	8.933-018.0	Spring 1500-4000 PSI	C	1
10*	8.754-933.0	Seat	C	1	26	8.933-021.0	Set Screw		1
11*	8.754-934.0	O-ring, Ø1.78 x 12.42	A,C	1	27	9.803-925.0	Nut		1
12	8.754-935.0	Valve Body		1	28	9.803-926.0	Knob, Brass, Unloader		1
13	9.802-893.0	Seal Washer 3/8		1					
14	9.803-919.0	Banjo Bolt 3/8		1					
15*	8.754-936.0	O-ring, Ø2.62 x 10.78	A	1					
16	9.803-920.0	Banjo Bolt, 1/2, w/1/4" Port		1					

\* Included in Kit

**Kit A** 8.754-941.0 O-Ring Repair Kit  
**Kit B** 8.754-942.0 Outlet Repair Kit  
**Kit C** 8.754-957.0 Stem Repair Kit