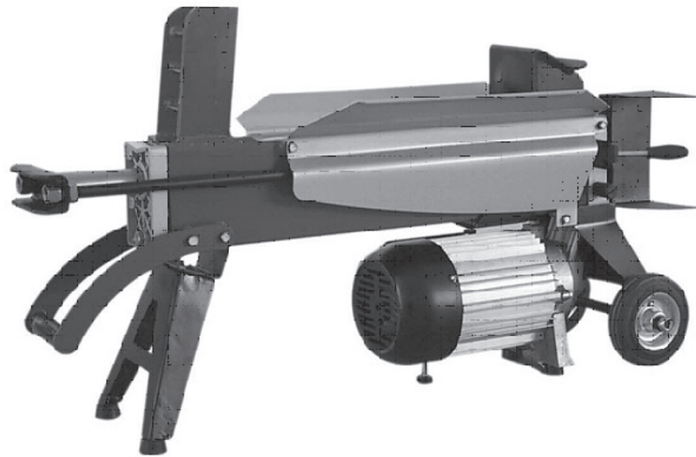


# Earthquake<sup>®</sup>

## ***OPERATOR'S MANUAL & PARTS*** ***W1200 5-TON Mini Electric Log Splitter***

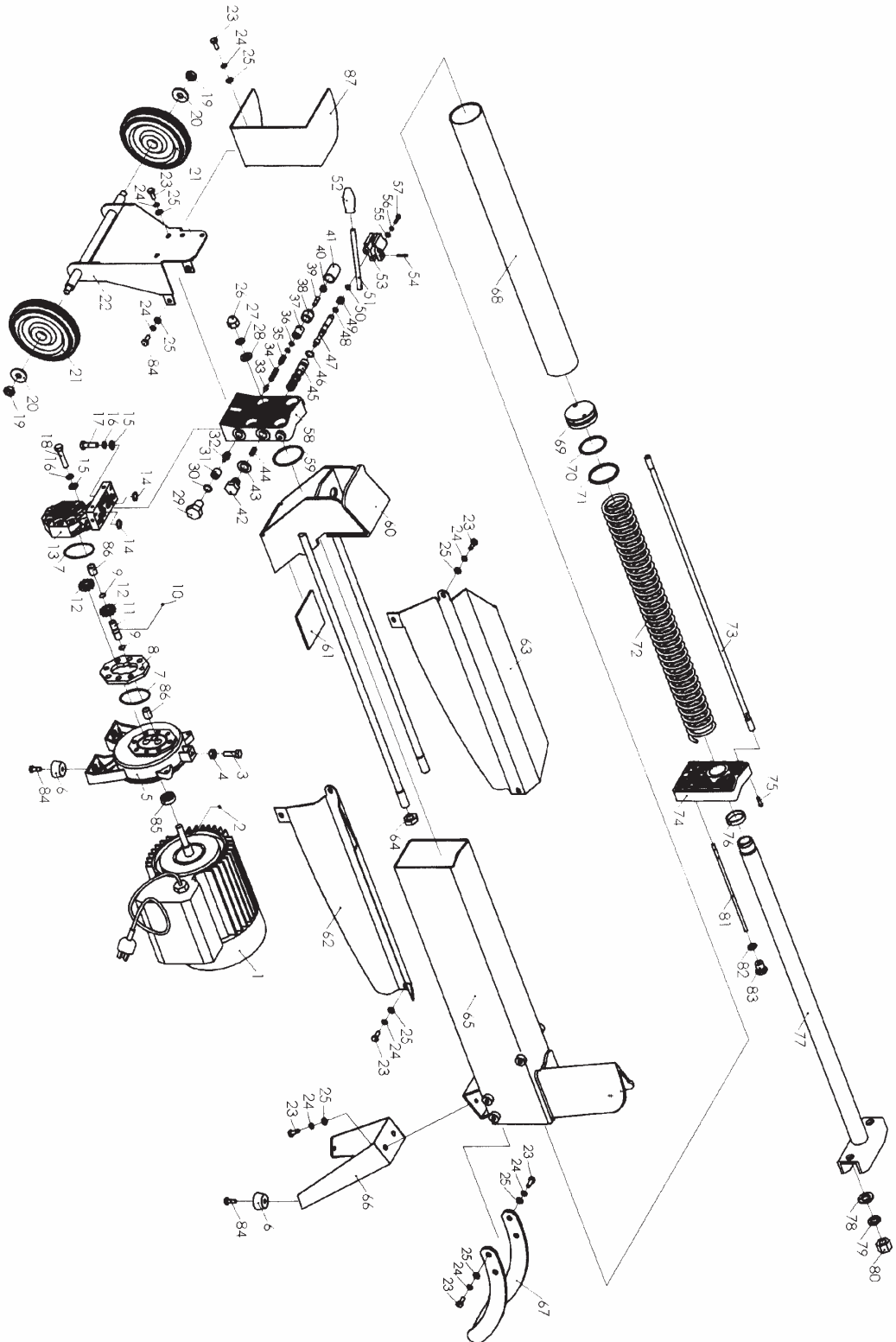


OMW1200  
Rev. 12/03/08  
© 2009 Ardisam, Inc.  
All Rights Reserved.

# W1200 MINI ELECTRIC LOG SPLITTER BREAKDOWN



MINIMUM ORDER .....\$10.00



# W1200 MINI ELECTRIC LOG SPLITTER PARTS LIST

---



<b>Key #</b>	<b>Part #</b>	<b>Description</b>	<b>Qty.</b>
1	W12001	MOTOR	1
19	W120019	LOCKING NUT	1
20	W120020	BIG FLAT WASHER	1
21	W120021	ROLLING WHEEL	1
22	W120022	ROLLING WHEEL BRACKET	1
51	W120051	HANDLE	1
52	W120052	CONTROL LEVER KNOB	2
66	W120066	SUPPORTING LEG	2
67	W120067	CARRYING HANDLE	1

If you're looking for a part not listed here please call 800-345-6007 and speak to our customer service department.