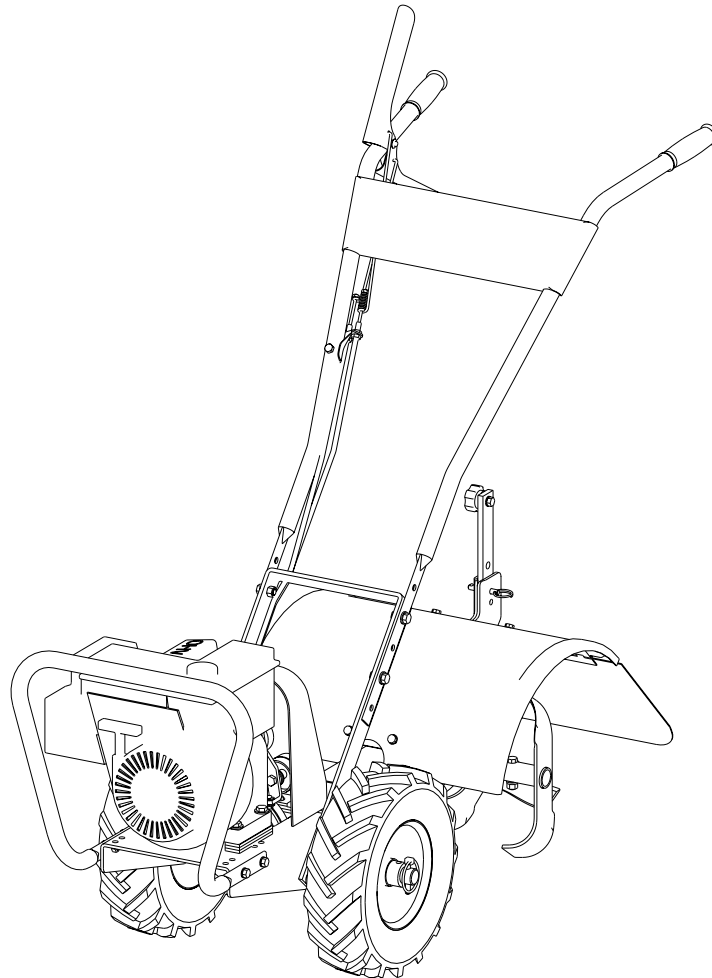


Earthquake[®]

OPERATING & PARTS MANUAL

**7055, 7055E, 7155, 7155E
SRT Rototiller**



OMSRT06

Rev.2/06

© Copyright 2006 Ardisam, Inc.
All Rights Reserved. Printed in USA.

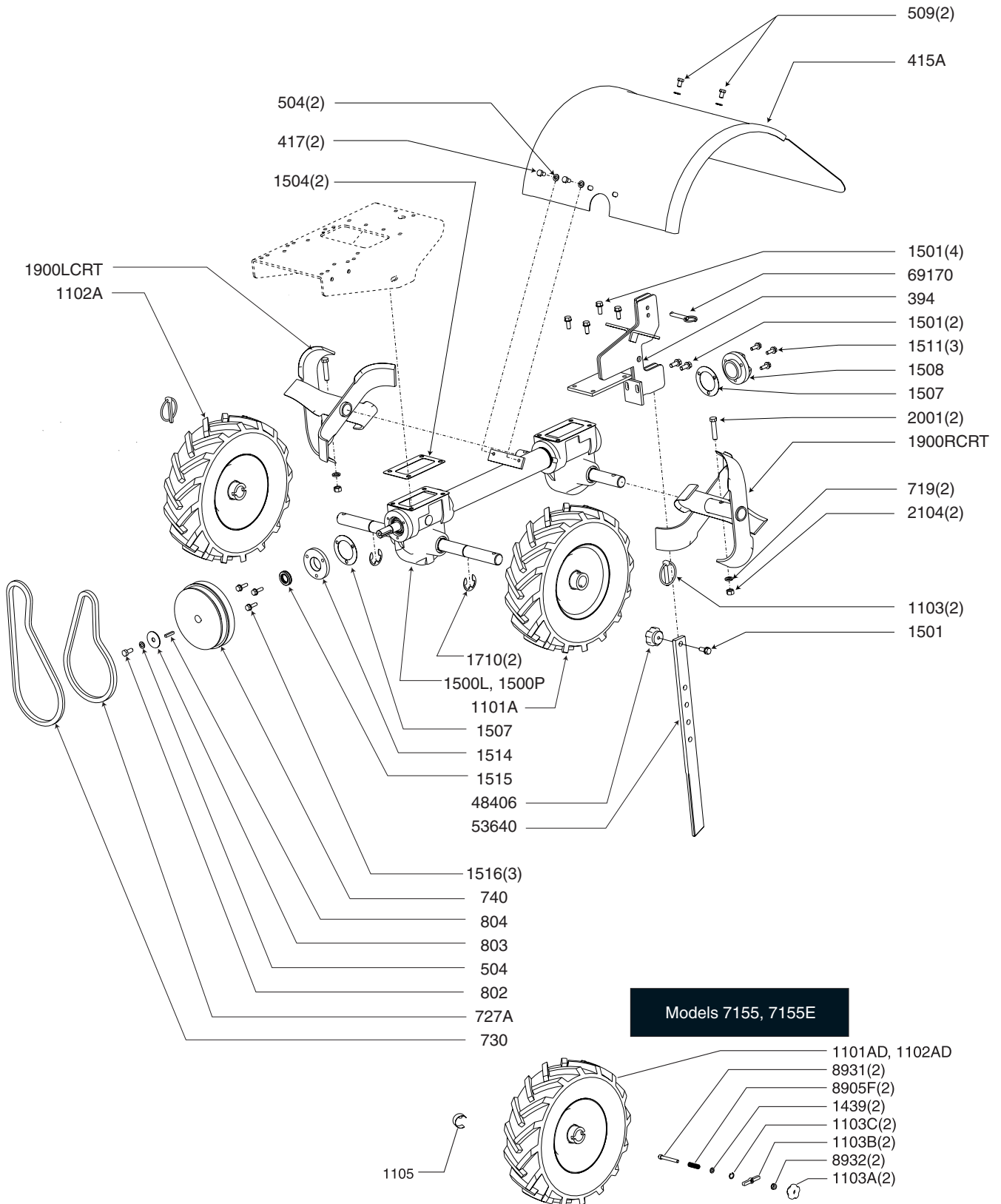


SRT Handlebar Assembly

PART NUMBER	QUANTITY	DESCRIPTION
2104	4	Nut Hex Two-Way 3/8-16
48762	4	Bolt 3/8-16 x 1" Carriage
503	1	Bolt 5/16-24x1" HH GR5
53606	2	Nut-Nyloc, #10
53607	4	Nut-Jam, 5/16-24
53612	1	Link 11-5/8" long
53613	1	Link 9-1/2" long
53614	1	Pin Clevis 1/4 x 1-1/2"
53620	1	Spring Compression Forward Arm
53624	1	Handlebar Mount Weldment
53629	1	Cable Mount Bracket
53630	2	Cable - Rear Tine 39" Sheath
53631	2	Grip Handlebar 1" ID Flangless
53632	1	Nut Push 1/4"
53650	2	Lever Control Rear Tine
53679	1	Handlebar Weldment
60G56	1	Nut-Bi-Way Lock, 5/16-18
91038	4	Bolt 3/8-16 x 3/4 Ser Flange



SRT Tines & Hood Assembly



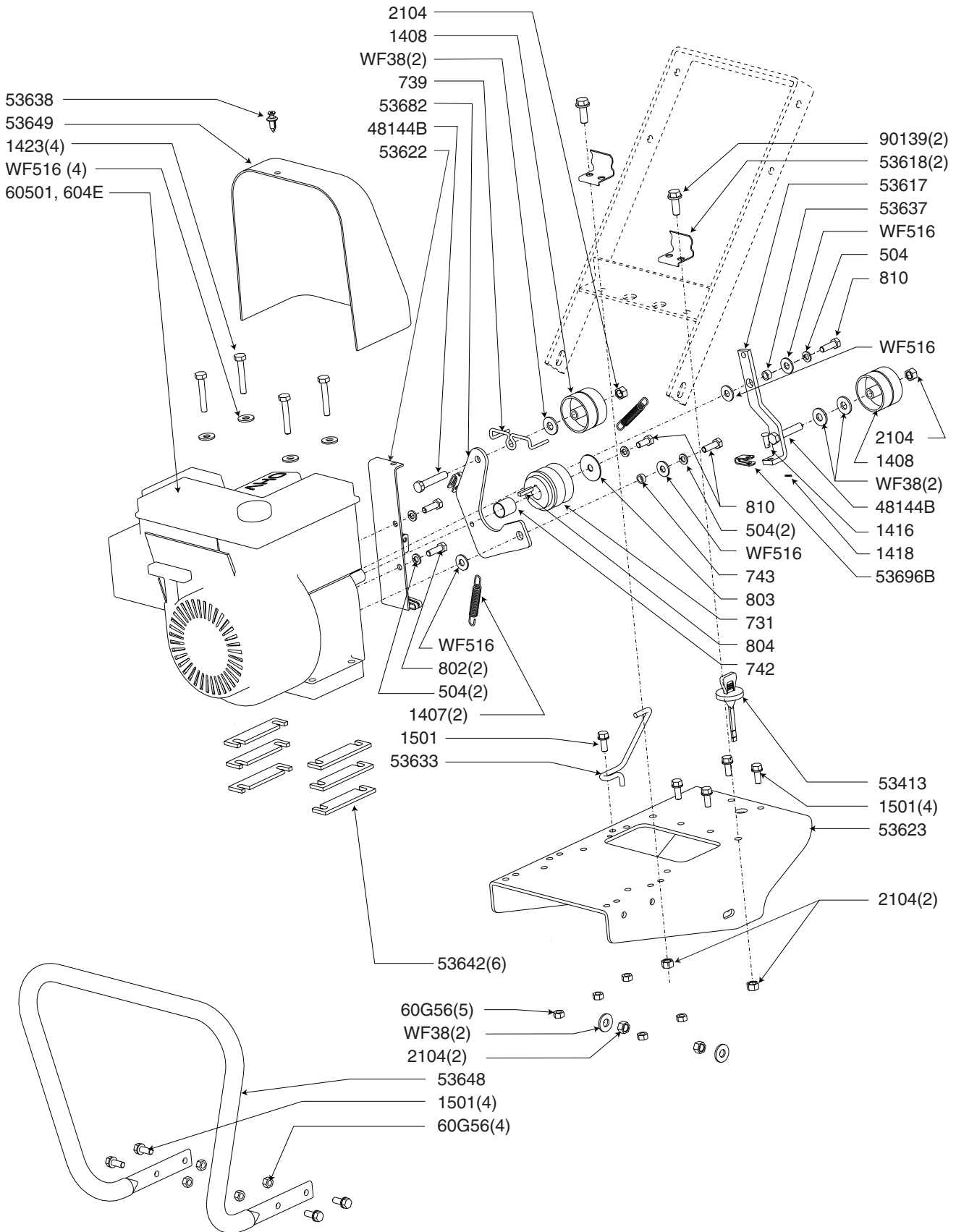


SRT Tines & Hood Assembly

PART NUMBER	QUANTITY	DESCRIPTION
1101A	1	Left Wheel Assembly
1101AD	1	Left Wheel Assembly (7155, 7155E)
1102A	1	Right Wheel Assembly
1102AD	1	Right Wheel Assembly (7155, 7155E)
1103	2	Lock Pin 5/16" x 1-3/4"
1103A	2	Wheel Lockout Knob (7155, 7155E)
1103B	2	Butterfly Lockout (7155, 7155E)
1103C	2	Snap Ring 1/2" (7155, 7155E)
1105	2	Spring Clamp w/ Dowel (7155, 7155E)
1439	2	Flat Washer 1/4" ID (7155, 7155E)
1500P	1	Transmission Assembly, Lockpin
1500L	1	Transmission Assembly, Lockout (7155, 7155E)
1501	7	Bolt 5/16-18 x 3/4"
1504	2	Gasket, Transmission
1507	2	Gasket, Bearing Cap
1508	1	Rear Bearing Cap
1511	3	Bolt 1/4-20 x 7/8"
1514	1	Front End Cap
1515	1	Seal Oil Drive Shaft
1516	3	Bolt 1/4-20 x 3/4"
1710	2	External Snap Ring
1900LCRT	1	Left Tine Set
1900RCRT	4	Right Tine Set
2001	2	Bolt 3/8-16 x 1-3/4"
2104	2	Nut, Bi-Way Lock 3/8-16
394	1	Tail Mount Depth Regulator
415A	1	Hood Assembly
417	2	Bolt 5/16-18 x 1/2" HH GR5
48406	1	Black Knob 5/16-18
504	3	Lockwasher Spring 5/16"
509	2	Bolt 1/4-20 x 1/2"
53640	1	Drag Weldment
69170	1	Detent Pin 5/16 x 2" Zinc
719	2	Spring Washer 3/8"
727A	1	Forward Belt
730	1	Reverse Belt
740	1	Pulley, Two Groove Transmission
802	1	Bolt 5/16-24 x 3/4"
803	1	Washer 5/16" x 1-1/2"
804	1	Key 3/16" x 1"
8905F	2	Spring, Compression (7155, 7155E)
8931	2	Bolt 1/4-20 X 2" SHCS (7155, 7155E)
8932	2	Nut 1/4-20 (7155, 7155E)



SRT Motor Mount Assembly



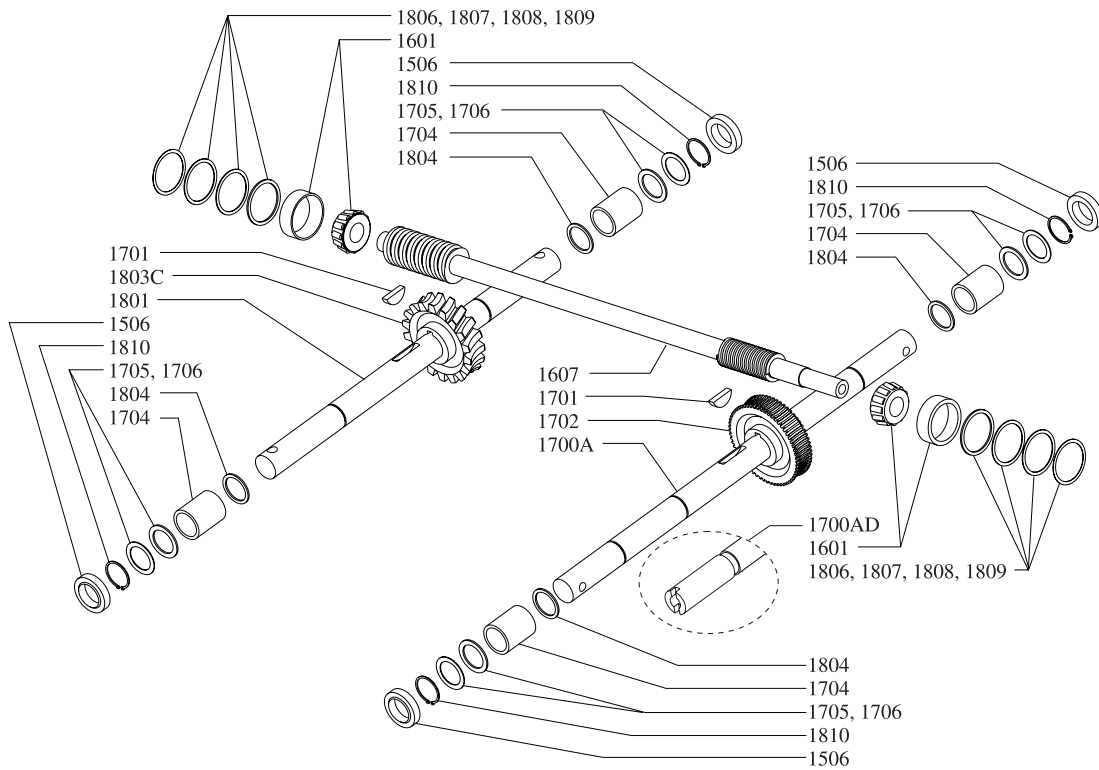


SRT Motor Mount Assembly

PART NUMBER	QUANTITY	DESCRIPTION
1407	2	Forward Arm Spring
1408	2	Forward Pulley Idler
1416	1	Clevis Pin
1418	1	Cotter Pin 5/64" x 1/2"
1423	4	Bolt 5/16-18 x 2"
1501	9	Bolt 5/16-18 x 3/4"
2104	6	Nut 3/8-16
48144B	2	Bolt 3/8-16 x 2"
504	5	Lockwasher Spring 5/16"
53413	1	Dip Stick
53596B	1	Clevis Yoke Zinc Plated
53616	1	Engine Weight Block Spacer
53617	1	Forward Arm
53618	2	Belt Guard Clip
53622	1	Cable Pull Weldment
53623	1	Motor Mount
53633	1	Belt Guide
53637	1	Forward Arm Bushing
53638	1	Plastic Push-in Rivet
53648	1	Bumper Guard (7155, 7155E)
53649	1	Belt Guard
53682	1	Reverse Tine Weldment
604E	1	Engine, 6.5 hp Briggs & Stratton Intek Electric Start (7055E, 7155E)
60501	1	Engine, 6 hp Briggs & Stratton
60G56	9	Nut Bi-Way Lock 5/16-18
731	1	Two Groove Pulley 3/4"
739	1	Reverse Belt Guide
742	1	Drive Pulley Spacer
743	1	Reverse Arm Bushing
802	2	Bolt 5/16-24 x 3/4"
803	1	Washer 5/16" x 1-1/2"
804	1	Key 3/16" x 1"
810	3	Bolt 5/16-24 x 1"
90139	2	Bolt 3/8-16 x 1"
WF38	6	Flat Washer 3/8"
WF516	8	Flat Washer 5/16"



SRT Wheel & Tiller Shaft Assembly



PART NUMBER	QUANTITY	DESCRIPTION
1506	4	Seal-Tiller Housing
1601	2	Bearing-Tapered (Includes Cone & Race)
1607	1	Main Drive Shaft, 23"
1700A	1	Wheel Shaft Assembly, Lockpin
1700AD	1	Wheel Shaft Assembly, Lockout (7155, 7155E)
1701	2	Key 1/4" x 1"
1702	1	Gear-Worm, Brass, 61 Tooth, Wheel Shaft
1703	4	Shim Set-Axle Spacer Kit
1704	4	Bushing
1705	4	Shim, 1.375 OD x .062" thick, (as required.)
1706	2	Shim, 1.375 OD x .030" thick, (as required.)
1801	1	Tine Shaft
1803	1	Gear-Worm, Brass, 30 Tooth, Tiller Shaft
1804	4	Spacer, 1.250" x 1.000" x .062" thick
1805	2	Shim Set-Bearing Cap
1806	6	Shim, 1.750 OD x .062" thick, (as required.)
1807	2	Shim, 1.750 OD x .030" thick, (as required.)
1808	2	Shim, 1.750 OD x .015" thick, (as required.)
1809	2	Shim, 1.750 OD x .010" thick, (as required.)
1810	4	Snap Ring-Retainer, Internal
494	1	Casting, Tiller Transmission