



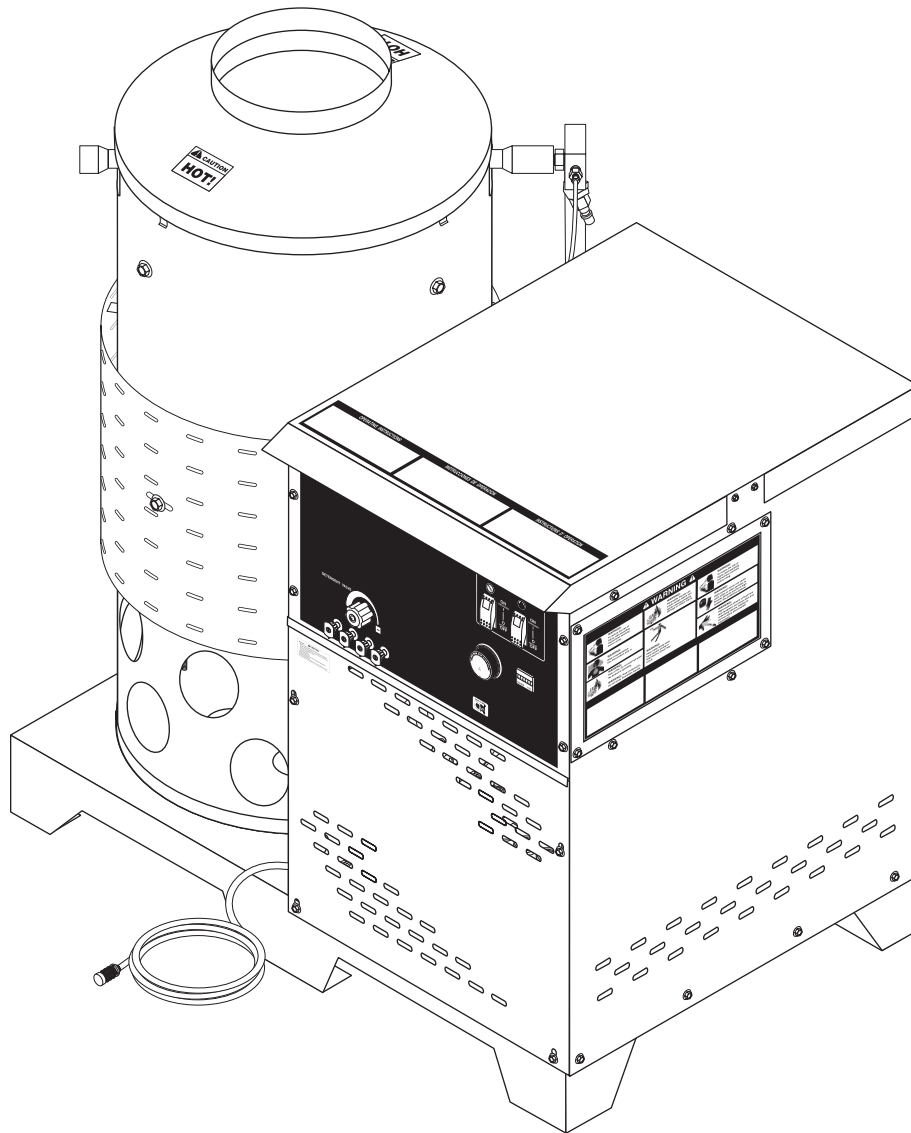
HNG

OPERATOR'S MANUAL

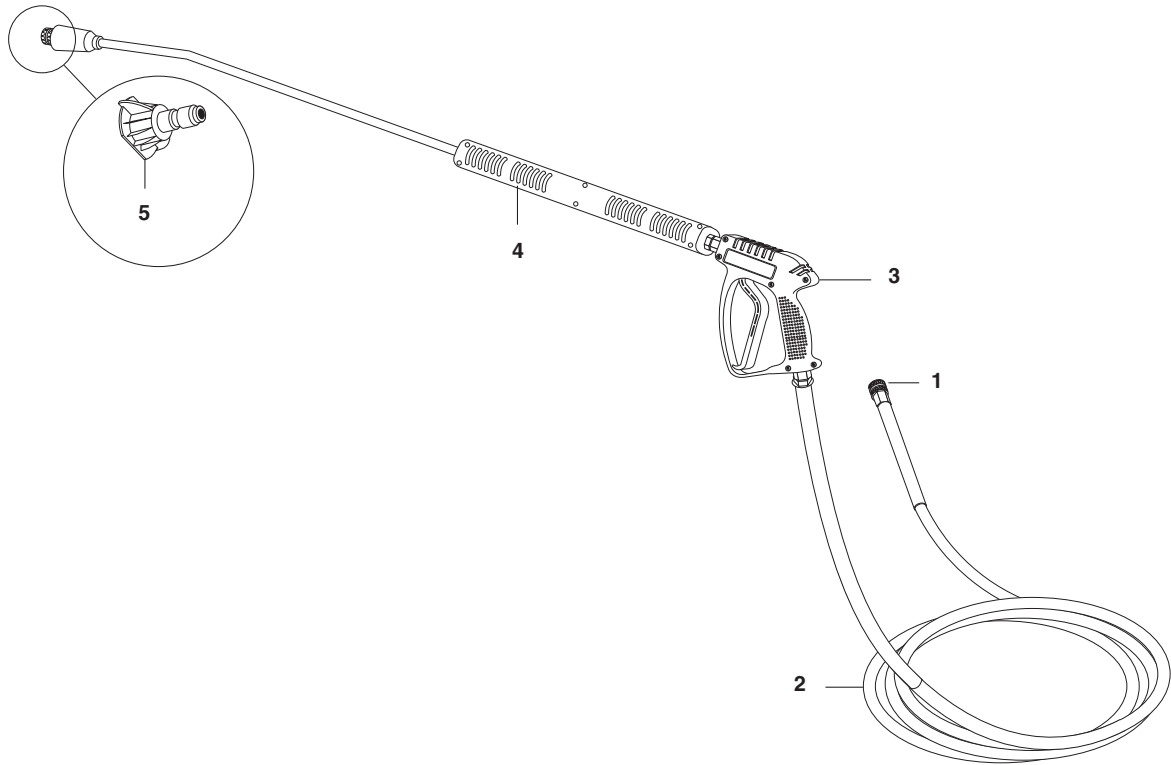
■ HNG-4020

■ HNG-3530

■ HNG-5030



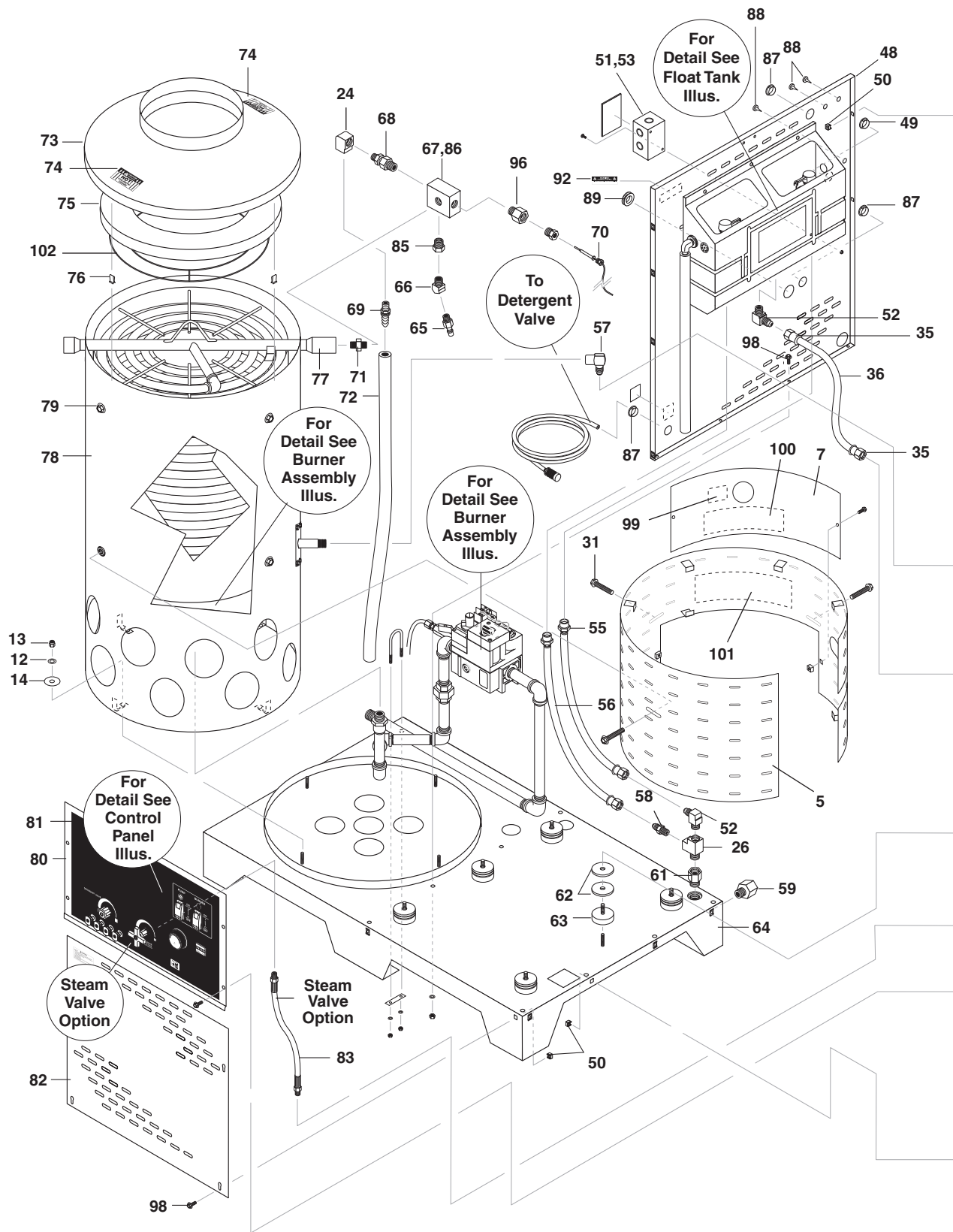
HOSE & SPRAY GUN ASSEMBLY



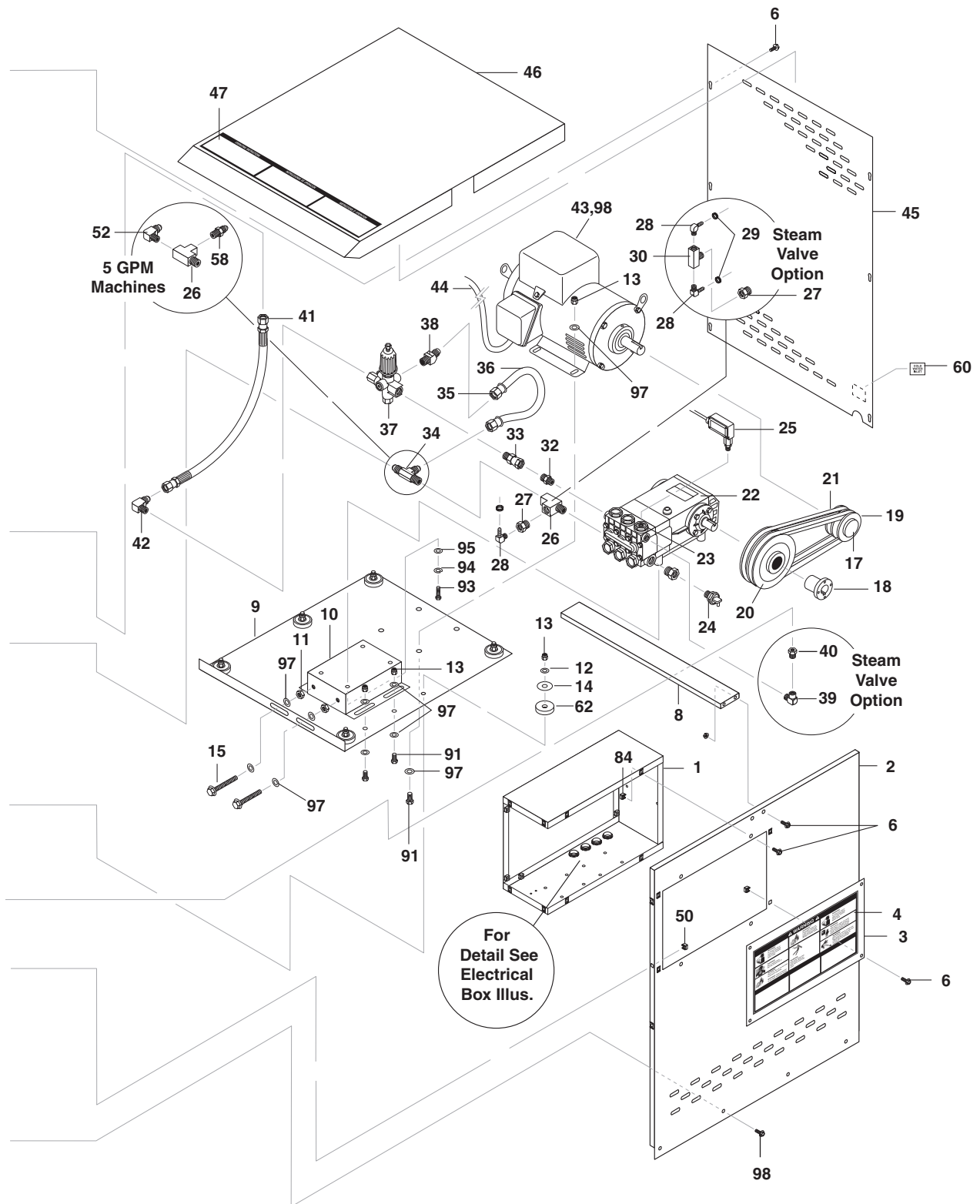
HOSE & SPRAY GUN PARTS LIST

ITEM	PART NO.	DESCRIPTION		QTY
1	9.802-166.0	Coupler, 3/8" Female	2-2002	1
2	8.739-148.0	Hose, 3/8" x 50', 1 Wire, Blue, Tuff-Flex	8.739-148.0	1
3	8.711-348.0	Spray Gun, Shut-Off AP-1000	4-01246	1
4	9.803-805.0	Lance, Spray, Insulated	4-0111021	1
5	8.712-357.0	Nozzle, SAQCMEG 0005.5 Red (5030, 4020)	4-12805500	1
	8.712-358.0	Nozzle, SAQCMEG 1505.5 Yellow (5030, 4020)	4-12805515	1
	8.712-359.0	Nozzle, SAQCMEG 2505.5 Green (5030, 4020)	4-12805525	1
	8.712-360.0	Nozzle, SAQCMEG 4005.5 White (5030, 4020)	4-12805540	1
	8.712-345.0	Nozzle, SAQCMEG 0004 Red (3530)	4-12804000	1
	8.712-346.0	Nozzle, SAQCMEG 1504 Yellow (3530)	4-12804015	1
	8.712-347.0	Nozzle, SAQCMEG 2504 Green (3530)	4-12804025	1
	8.712-348.0	Nozzle, SAQCMEG 4004 White (3530)	4-12804040	1

EXPLODED VIEW



EXPLODED VIEW



EXPLODED VIEW PARTS LIST

ITEM	PART NO.	DESCRIPTION		QTY
1	9.802-969.0	Box, Electrical	95-07163028	1
2	8.912-580.0	Panel, Front	95-07163113	1
3	9.802-982.0	Cover, E-Box Access	95-07163114	1
4	9.800-012.0	Label, Warning	10-07994	1
5	8.930-190.0	Shield, Heat, NG (4020, 5030)	8.930-190.0	1
6	9.802-754.0	Screw, 1/4" x 1/2" HH NC, Whiz Loc (4020, 5030) (3530)	90-19711	32 30
7	8.930-335.0	Cover, Outer Heat Shield (4020, 5030)	8.930-335.0	1
8	8.912-596.0	Brace, Panel	95-07163119	1
9	9.803-130.0	Platform, Motor 3/16"	95-071210136	1
10	9.803-131.0	Rail, Pump or Generator Combo	95-07121112	1
11	9.802-789.0	Nut, 3/8" Hex, NC	90-2007	2
12	9.802-807.0	Washer, 3/8" SAE, Flat	90-4002	10
13	9.802-779.0	Nut, 3/8" ESNA, NC	90-2002	18
14	9.802-811.0	Washer, 3/8" x 1-1/2", Fender, SAE	90-4007	12
15	9.802-735.0	Bolt, 3/8" x 5-1/2", Tap	90-1025	2
16	9.802-792.0	▲ Nut, Cage, 3/8" x 12 Gauge	90-2020	8
17	Bushing, See Specifications Pages			
18	Bushing, See Specifications Pages			
19	Pulley, See Specifications Pages			
20	Pulley, See Specifications Pages			
21	Belt, See Specifications Pages			
22	Pump, See Specifications Pages			
23	70-400146	Cap, Valve, w/1/4" Gauge Port	70-400146	1
24	8.706-819.0	Elbow, 3/8" Female, Brass	2-1019	1
25	9.802-458.0	Switch, Pressure N/O, 1/4" NPT SS	6-021720	1
26	8.706-860.0	Tee, 1/2" Street (5 Gpm)	2-1042	2 3
27	8.706-915.0	Bushing, Reducer, 1/2" x 1/4"	2-1076	1
28	8.706-958.0	Hose Barb, 1/4" Barb x 1/4" Pipe, 90° (w/Steam Option)	2-1089	1 2
29	8.709-069.0	Clamp, Screw, #4	2-9000	3
30	8.706-854.0	Tee, 1/4" Branch Male (Steam Option)	2-1037	1
31	9.802-727.0	Bolt, 3/8" x 1-3/4" Tap (4020, 5030)	90-1019	3
32	9.802-036.0	Nipple, 1/2" JIC, 3/8" Pipe	2-0051	1
33	9.802-048.0	Swivel, 1/2" JIC Female, 3/8" Male	2-0079	1
34	9.802-134.0	Tee, 1/2" x 1/2" JIC 51# (All except 5030)	2-10712	1
35	9.802-151.0	Swivel, 1/2" JIC Fem, Push-On (5030)	2-1105	4
	9.802-152.0	Swivel, 3/4" SAE Fem, Push-On (5030)	2-11050	2
36	9.802-259.0	Hose, 1/2", Push-On (5030)	4-02110000	3 ft.
	9.802-261.0	Hose, 3/4", Push-On (5030)	4-02120000	3 ft.
37	8.715-483.0	Unloader, AL-VRT 607, 7.8 GPM @ 4200 PSI	5-3208	1
38	9.802-133.0	Elbow, 1/2" JIC x 3/8", 45°	2-106301	1
39	8.706-207.0	Elbow, 3/8", Street (Steam Option)	2-0031	1
40	8.706-297.0	Bushing, 3/8" x 1/4" Steel (Steam Option)	2-00682	1
41	9.802-241.0	Hose, 3/8" x 25", 2 Wire, Pressure Loop	4-02047725	1
42	9.802-039.0	Elbow, 1/2" JIC, 3/8", 90°	2-0053	1

EXPLODED VIEW PARTS LIST

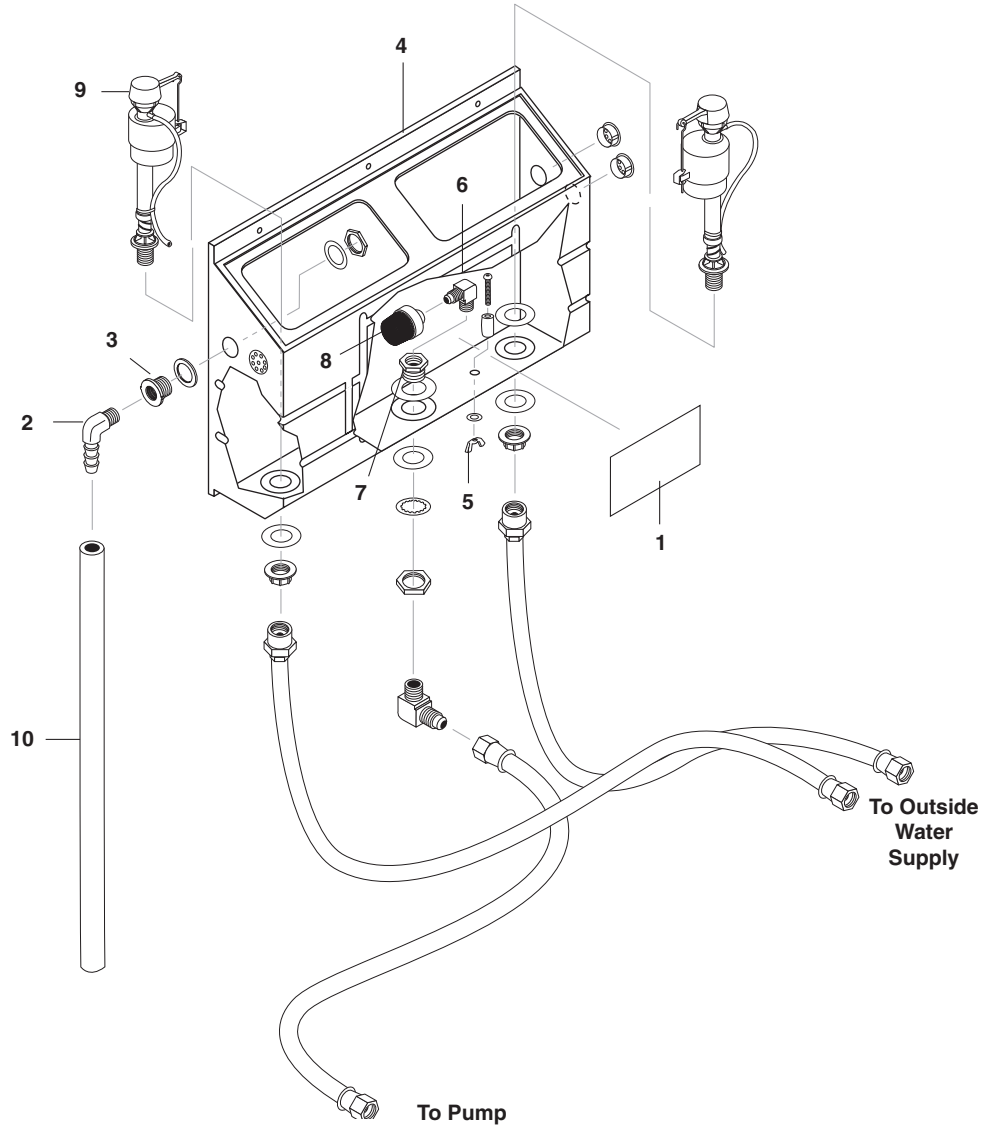
ITEM	PART NO.	DESCRIPTION		QTY
43		Motor, See Specifications Pages		
44	9.802-436.0	Cord, Service, SEO, 10/3 Coleman (4020A, 5030B)	6-0108	9.25 ft.
	9.802-425.0	Cord, Service, SO, 8/3 Coleman (3530A)	6-0102	9.25 ft.
	9.802-429.0	Cord, Service 12/4 (5030C)	6-0105	9.25 ft.
	9.802-426.0	Cord, Service 8/4 (5030B)	6-01021	9.25ft.
45	8.912-591.0	Panel, Side, Left	95-07163117	1
46	8.912-586.0	Cover, Top	95-07163116	1
47	9.800-030.0	Label, Operating Instructions	10-99075	1
48	8.912-566.0	Panel, Rear	95-07163102	1
49	9.802-105.0	Plug, 7/8" Plastic	2-0148	1
50	9.802-794.0	Nut, Cage, 1/4" x 12 Gauge (4020, 5030) (3530)	90-20231	40 38
51	9.802-484.0	Box, Junction 3 Hole, 3/4"	6-04110	1
52	9.802-131.0	Elbow, 1/2" JIC x 1/2", 90° (5030)	2-1062	1
	9.802-132.0	Elbow, 3/4" JIC x 1/2", 90° (5030)	2-10630	2
53	9.802-483.0	Cover Plate, Junction Box, 2" x 4"	6-0411	1
	9.800-040.0	▲ Ground Label	11-1042	1
55	9.802-257.0	Inlet Hose, 30", Water Supply	4-02100030	1
56	9.802-258.0	Inlet Hose, 45", Water Supply	4-02100045	1
57	9.802-043.0	Elbow, 1/2" JIC x 1/2" Fem, 90°	2-00602	1
58	9.802-128.0	Nipple, 1/2" JIC 1/2" MPT Pipe (5030) (All others)	2-1053	2 1
59	9.802-146.0	Swivel, 1/2" MP x 3/4" GHF, w/Strainer	2-10942	1
60	9.800-020.0	Label, Cold Water Inlet	10-09003	1
61	8.706-984.0	Adapter, 1/2" x 1/2" Pipe	2-1100	1
62	9.802-067.0	Bumper Pad, Engine	2-0108	18
63	9.802-066.0	Pad, Soft Rubber, 50 DURO	2-01041	6
64	9.802-977.0	Assembly, Frame	95-07163100	1
65	9.802-171.0	Nipple, 3/8" x 3/8" NPT ST Male	2-2007	1
66	9.802-041.0	Elbow, 3/8" Steel, Street, 45°	2-00575	1
67	9.802-871.0	Block, Discharge, 1/2" x 1/2" Brass	95-07101226	1
68	9.802-192.0	Disk, Rupture Assy, 7000 PSI	2-3409	1
69	8.707-019.0	Hose Barb, 1/2" Barb x 3/8" MPT, Push-On	2-1108	1
70	9.802-285.0	Thermostat, Adjustable, 302°F	4-05088	1
71	8.705-975.0	Nipple 1/2" Hex, Steel	2-0008	1
72	9.802-259.0	Hose, 1/2" Push-On	4-02110000	3.33 ft.
73	9.802-976.0	Top, Burner Wrap, 20"	95-07163099	1
74	9.800-006.0	Label, Hot/Caliente w/Arrows Warning	10-02025A	2
75	8.930-140.0	Insulation, Tank Head, 20", 10" Opening	8.930-140.0	1
76	9.802-825.0	Clip, Retaining, U-Type	90-50045	4
77	9.803-135.0	Coil, Dura, 20" Dia., SCH. 80	95-07121220	1
78	9.802-974.0	Wrap, Outer Assy, 20" Coil	95-07163094	1
79	9.802-720.0	Bolt, 3/8" x 1", NC HH (4020, 5030) (3530)	90-1016	5 8
80	9.802-988.0	Cover, Control Panel, Logo	95-07163126	1
	9.802-983.0	Cover, Control Panel, Remote	95-07163115	1

EXPLODED VIEW PARTS LIST

ITEM	PART NO.	DESCRIPTION		QTY
81	8.900-904.0	Label, Control Panel, Logo	11-0353	1
	8.900-905.0	Label, Control Panel, Remote Logo	11-0354	1
82	8.912-593.0	Panel, Side, Right	95-07163118	1
83	9.802-231.0	Hose, 1/4" x 36", 2 Wire, Gauge Hose (Steam Option)	4-02021236	1
84	9.802-793.0	Nut, Cage, 1/4" x 16 Gauge	90-2022	4
85	8.706-294.0	Bushing, 1/2" x 3/8" Steel	2-00681	1
86	9.800-021.0	Label, Hot Water Outlet	10-09004	1
87	9.802-104.0	Bushing, 1" Snap	2-01411	3
88	9.802-068.0	Plug, Rubber	2-01081	3
89	9.802-065.0	Grommet, 1-5/16" Rubber	2-01037	1
90	9.802-520.0	▲ Strain Relief, 3/4" (4020)	6-0517	1
	9.802-522.0	▲ Strain Relief, 1" (3530A, 5030B,C)	6-05171	1
91	9.802-720.0	Bolt, 3/8"	90-1016	8
92	9.800-016.0	Label, Disconnect Pwr Supply	10-08021	1
93	9.802-741.0	Bolt, 8mm x 16mm Hex Head	90-1030	4
94	9.802-813.0	Washer, 5/16" Lock Split Ring	90-4008	4
95	8.718-980.0	Washer, 5/16" Flat	90-4001	4
96	9.802-047.0	Adapter, 1/2" x 1/2" Pipe STL	2-00742	1
97	9.802-807.0	Washer, 3/8"	90-4002	20
98	9.802-753.0	Screw, 1/4 x 3/4 HH NC Whiz Loc	90-19710	12
99	9.800-028.0	Label, Pilot Light Hole	10-99032	1
100	8.932-962.0	Label, Burner Instructions	10-02020	1
101	9.800-031.0	Label, Pilot Light Warning	10-99077	1
102	8.719-940.0	Retainer Ring, Insulation	95-07104928	1

▲ Not Shown

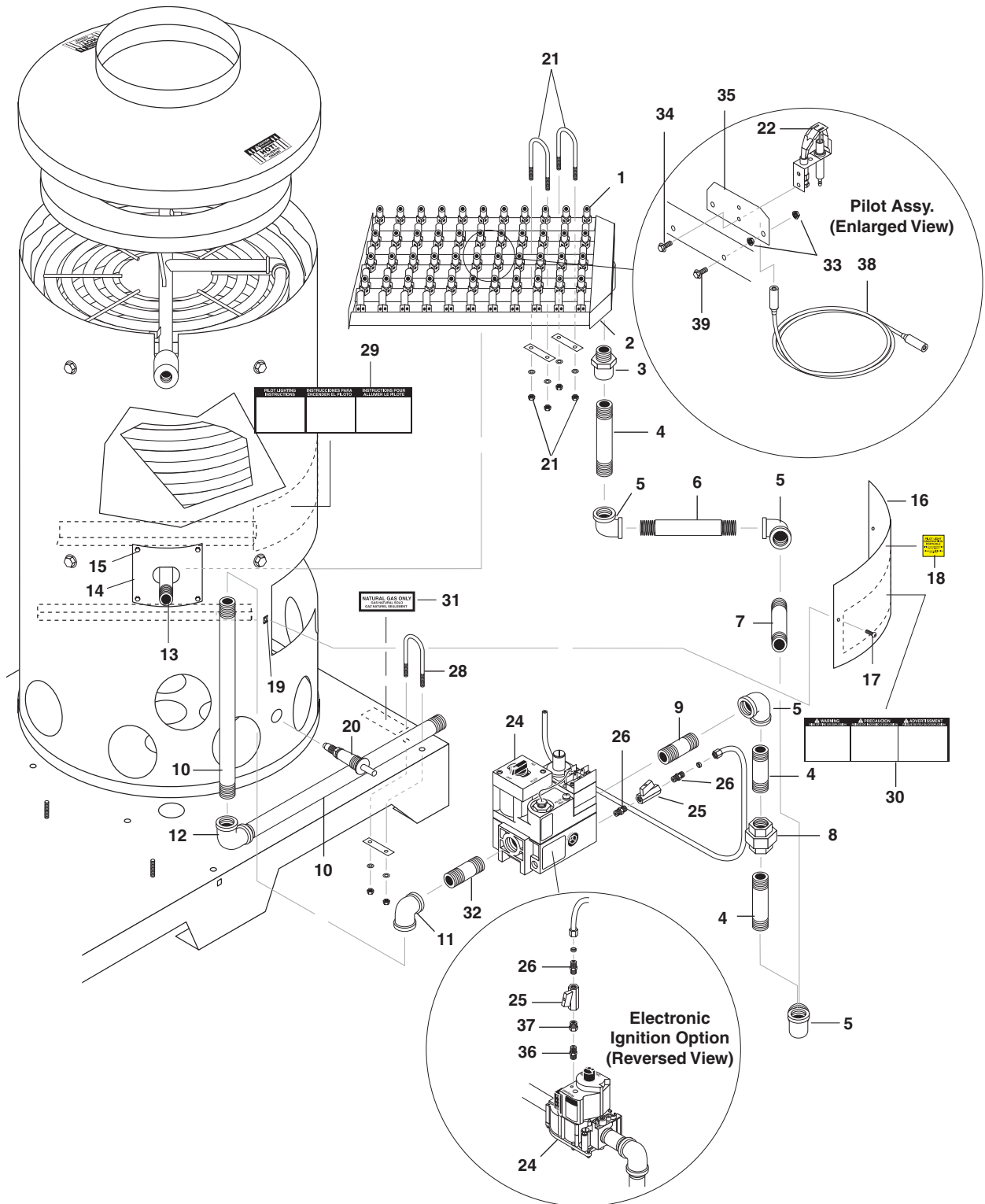
FLOAT TANK ASSEMBLY



FLOAT TANK PARTS LIST

ITEM	PART NO.	DESCRIPTION		QTY
1	8.900-931.0	Label, Stripe 17"	11-0603	1
2	9.802-050.0	Adapter, 3/4" x 3/4" MT x Insert, 90°	2-0100379	1
3	9.802-052.0	Bulkhead, 3/4" Polypropylene	2-010058	1
4	9.802-084.0	Tank, Plastic Universal Float	2-01164	1
5	9.802-106.0	Plug, Float Tank	2-0151	1
6	9.802-131.0	Elbow, 1/2" JIC x 1/2", 90°	2-1062	1
	8.706-793.0	Nipple, 3/16" Modified Close	2-10062	1
7	8.707-000.0	Connector, 1/2" Anchor	2-11041	1
8	8.707-061.0	Strainer, 1/2" Basket	2-1906	1
9	9.802-185.0	Valve, Float Tank, Vertical	2-3014	2
10	9.802-261.0	Hose, 3/4" Push-On	4-02120000	2 ft.

BURNER ASSEMBLY

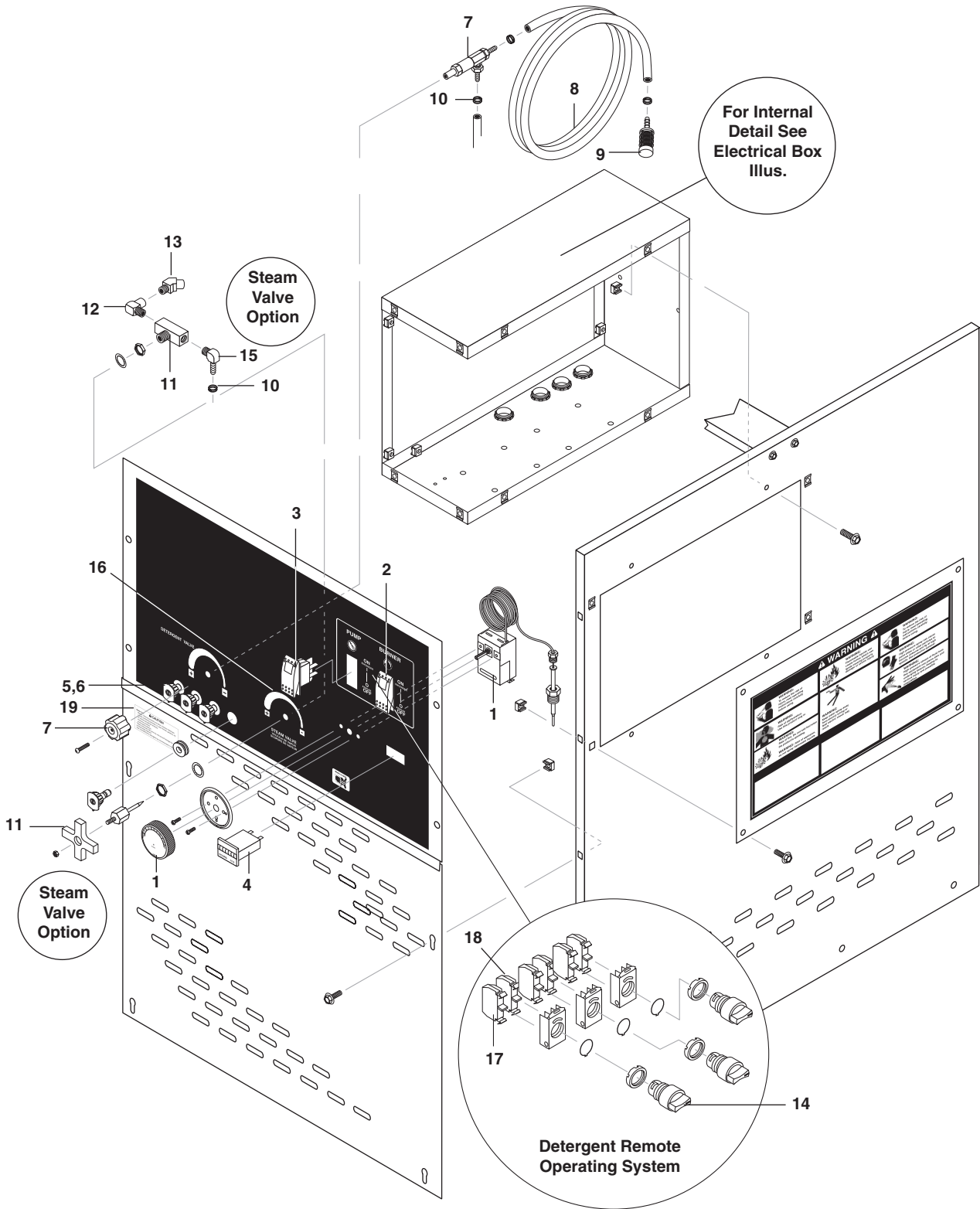


BURNER ASSEMBLY PARTS LIST

ITEM	PART NO.	DESCRIPTION		QTY
1	9.803-830.0	Jet, Orifice, #54 Natural Gas	7-7021	44
	9.802-684.0	Jet, Orifice, #69	7-7022	2
2	9.803-829.0	Burner Assy, Sq., Small #54	95-031610/54	1
	9.803-828.0	Burner Ring, Small, Square, #65 Nozzles	95-031610/65	1
3	9.802-016.0	Bushing, 1" x 3/4", Black, Steel Hex	2-001359	1
4	9.802-018.0	Nipple, 3/4" x 3", Black Pipe	2-00162	3
5	9.802-027.0	Elbow, 3/4", Black, 90°	2-00293	4
6	9.802-020.0	Nipple, 3/4" x 6", Black Pipe	2-00164	1
7	9.802-019.0	Nipple, 3/4" x 2", Black	2-00163	1
8	9.802-049.0	Union, 3/4", Black Pipe	2-0087	1
9	9.802-017.0	Nipple, 3/4" x Close, Black	2-00151	1
10	9.802-971.0	Nipple, 1" NPT x 15", Black, SCH. 40	95-07163081	2
11	9.802-028.0	Elbow, 1" x 3/4", Reducing, Black	2-00295	1
12	9.802-026.0	Elbow, 1", Black, 90°	2-00291	1
13	9.802-014.0	Nipple, 1/2" x 3", Galv. SCH. 80	2-00091	1
14	95-0712113	PHW/VNG Insulation Retainer Plate	95-0712113	1
15	9.802-798.0	Screw, #10 x 1/2", TEK	90-2999	4
16	9.802-975.0	Cover, Burner Access, 20" Coil	95-07163097	1
17	9.802-764.0	Screw, 10/32" x 3/4", Hex Wash SL Mach/Black	90-19942	2
18	9.800-028.0	Label, Pilot Light Hole	10-99032	1
19	9.802-791.0	Nut, Cage, 10/32" x 16 Gauge	90-2018	2
20	9.802-678.0	Ignitor, Piezo #1244-42	7-70162	1
	9.802-679.0	Washer, Panel Adapter, Piezo 1244-26	7-70164	1
21	9.802-719.0	U-Bolt, 5/16" x 3", Pipe	90-10131	2
22	9.803-617.0	Pilot, Piezo (Millivolt)	7-7CH1	1
	9.803-611.0	Thermopile, 47"	7-70360	1
	9.803-610.0	Igniter (Electronic Ignition)	7-702371	1
23	9.802-911.0	Tubing, Aluminum, 1/4" Dead Soft (Electronic Ignition) (Millivolt)	7-0150	36" 25"
24	9.803-615.0	Valve, Gas, VS820A (Millivolt)	7-7000CH1	1
	9.803-616.0	Valve, Gas, VR8304 (Electric Ignition)	7-700021	1
	9.803-614.0	▲ LP Conversion, Millivolt	7-70232	1
	9.803-618.0	▲ LP Conversion, Electric Ign.	7-702320	1
25	9.802-178.0	Valve, Ball, 1/4" Female x 1/4" Female, UL Listed #12	2-3006	1
26	9.802-159.0	Connector, 1/4" Tube x 1/4" (Electronic Ignition) (Millivolt)	2-1118	1 2
27	9.802-972.0	▲ Splash Guard	95-07163085	1
28	9.802-718.0	U-Bolt, 5/16" x 1", Pipe	90-10130	1
29	9.800-031.0	Label, Pilot Light Warning	10-99077	1
30	8.932-962.0	Label, Burner Instructions	10-02020	1
31	8.932-964.0	Label, Natural Gas	10-02024	1
32	9.803-561.0	Nipple, 3/4" x 5" Black Pipe	2-00165	1
33	9.802-695.0	Nut, 10/32" Keps	90-017	4
34	9.802-764.0	Screw, 10/32" x 3/4", Hex	90-19942	2
35	8.912-739.0	Bracket, Pilot Access	95-07166000	1
36	9.803-563.0	Connector, 1/4" Tube x 1/8" Pipe (Electric Ignition)	2-1117	1
37	8.706-910.0	Bushing, 1/4" x 1/8" Pipe (Electric Ignition)	2-1072	1
38	9.803-562.0	Ignitor Cable, 48" (Electric Ignition)	6-01352	1
39	9.802-759.0	Screw, 10/32" x 3/4" Hex	90-1991	4

▲ Not Shown

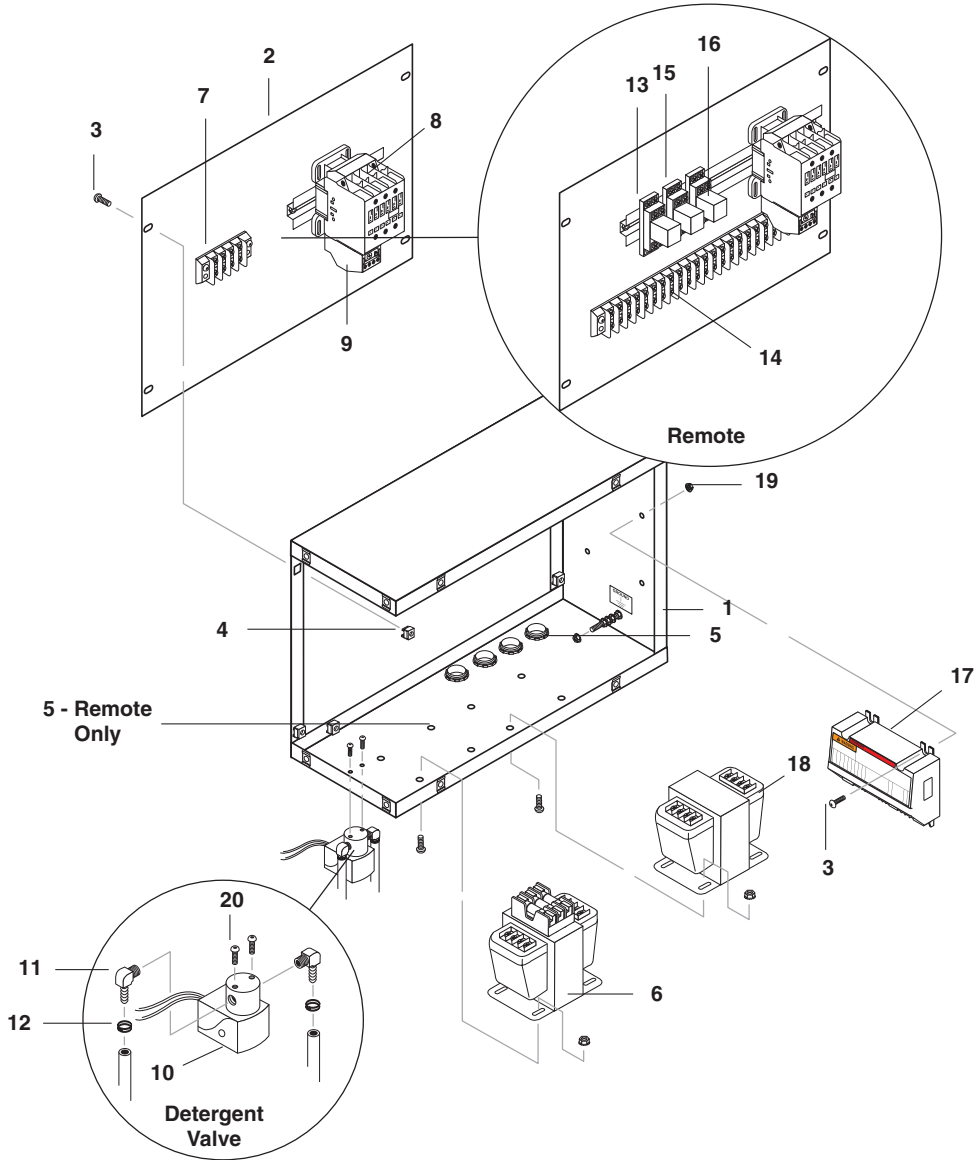
CONTROL PANEL EXPLODED VIEW



CONTROL PANEL PARTS LIST

ITEM	PART NO.	DESCRIPTION		QTY
1	9.802-285.0	Thermostat, Adjustable	4-05088	1
2	9.802-451.0	Switch, Rocker, Carling w/Green Lens	6-020240	2
3	9.802-452.0	Switch, Rocker, Carling Red Actuator (Time Delay)	6-020241	1
4	9.802-283.0	Hour Meter	4-050822	1
5	9.802-064.0	Grommet, Rubber, Nozzle Holder	2-0103	4
6		Nozzle (Please See Page 25)		1
7	9.802-188.0	Valve, Metering, 1/4" Hose	2-30152	1
8	9.802-251.0	Tube, 1/4" x 1/2", Clear Vinyl	4-02080000	10 ft.
9	8.707-058.0	Strainer, 1/4" w/Check Valve	2-1905	1
10	9.802-210.0	Clamp, Hose, UNI .46 - .54	2-9040	3
11	9.802-187.0	Valve, Flow Control/Metering Steam Option	2-30151	1
12	8.706-200.0	Elbow, 1/4" Street (Steam Option)	2-0030	1
13	9.802-031.0	Elbow, 45°, 1/4" Street, (Steam Option)	2-00330	1
14	9.802-536.0	Switch, Selector, w/Red Lever	6-2020	3
15	8.706-958.0	Hose Barb, 1/4" Barb x 1/4" Pipe, 90° (Steam Option)	2-1089	1
16	9.800-029.0	Label, Steam Valve (Steam Option)	10-99071	3
17	9.802-534.0	Block, Contact, N/C	6-2000	3
18	9.802-535.0	Block, Contact, N/O	6-2001	3
19	9.800-049.0	Label, Manufacturer's Cleaning Solution	9.800-049.0	1

STANDARD ELECTRICAL BOX EXPLODED VIEW & PARTS LIST

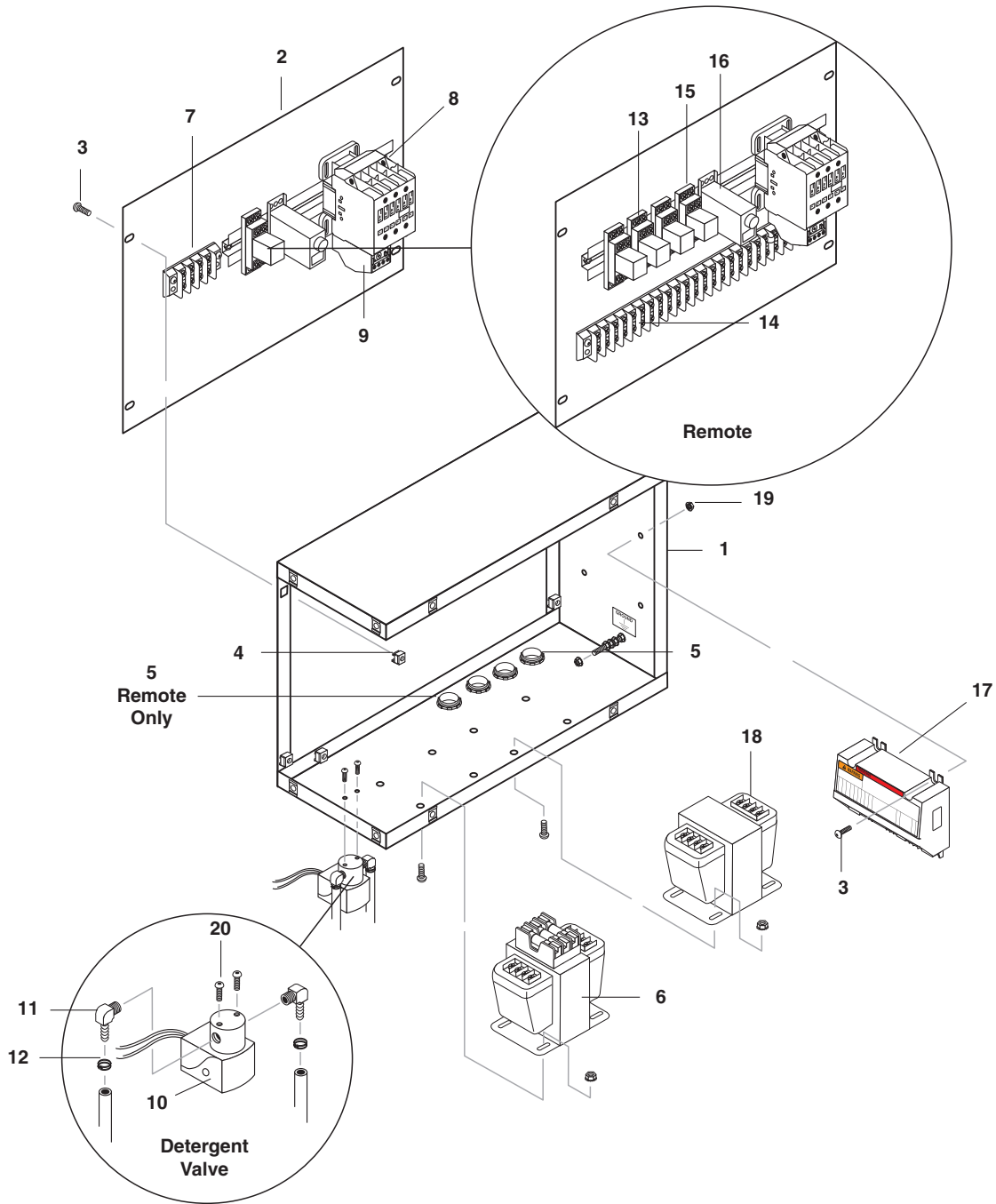


STANDARD ELECTRICAL BOX EXPLODED VIEW & PARTS LIST

ITEM	PART NO.	DESCRIPTION		QTY
1	9.802-969.0	Box, Electrical	95-07163028	1
2	9.802-970.0	Panel, Electrical Box Side	95-07163030	1
	9.800-040.0	▲ Ground Label	11-1042	1
3	9.802-759.0	Screw, 10/32" x 1/2" BHSOC Black	90-1991	20
4	9.802-791.0	Nut, Cage, 10/32" x 16 Gauge	90-2018	4
5	9.802-520.0	Strain Relief, 3/4" (Remote Option)	6-0517	3 1
6	Fuse, See Specifications Pages			
7	9.802-491.0	Block, Terminal, 4 Pole	6-0504	1
8	Contactor, See Specifications Pages			
9	Overload, See Specifications Pages			
10	9.802-532.0	Valve, Chemical Less Solenoid (Remote)	6-1401590	1
	9.802-533.0	Solenoid Coil, 120V (Remote)	6-140160	1
11	8.706-958.0	Hose Barb, 1/4" Barb x 1/4" Pipe, 90° (Remote)	2-1089	2
12	8.709-069.0	Clamp, Screw, #4 (Remote)	2-9000	2
13	9.802-457.0	Din Rail, 35 mm (Remote)	6-021595	4" 8"
14	9.802-493.0	Block Terminal, 16 Pole (Remote)	6-05041	1
15	9.802-467.0	Base, Relay, SH2B-05, IDEC (Remote)	6-03541	3
16	9.802-468.0	Relay, 120V, RH2B-UL-AC120 (Remote)	6-03621	3
17	9.803-613.0	Ignition, Electronic Control	7-701510	1
18	9.802-553.0	Transformer, Micron, 120/240V-24V,.050KVA, Electronic Ignition	6-60121	1
19	9.802-695.0	Nut, 10/32", Keps	90-017	17
20	9.802-772.0	Screw 10/32" x 1/4" (Remote)	90-199940	2

▲ Not Shown

TIME DELAY ELECTRICAL BOX EXPLODED VIEW

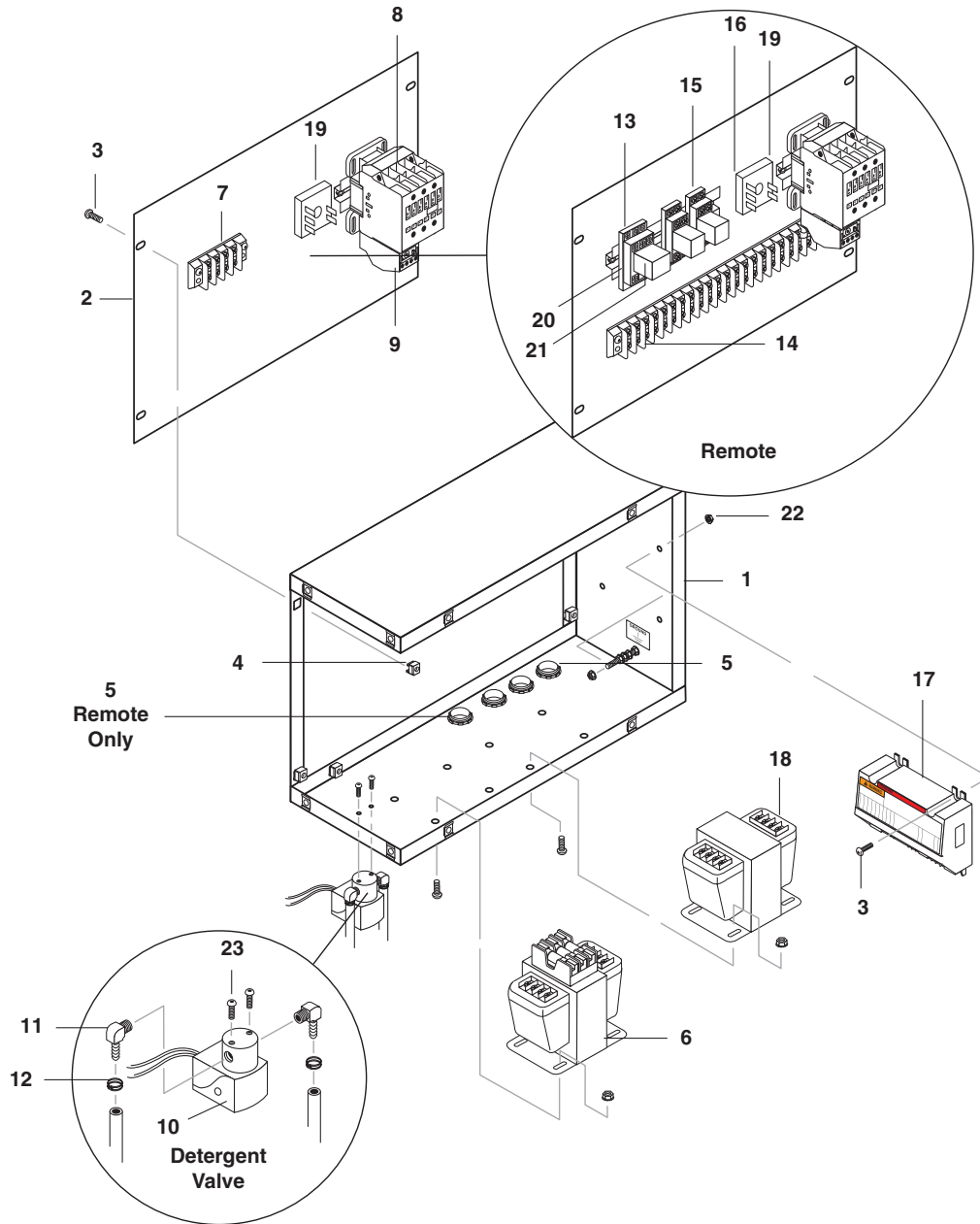


TIME DELAY ELECTRICAL BOX PARTS LIST

ITEM	PART NO.	DESCRIPTION		QTY
1	9.802-969.0	Box, Electrical	95-07163028	1
2	9.802-970.0	Panel, Electrical Box Side	95-07163030	1
	9.800-040.0	▲ Ground Label	11-1042	1
3	9.802-759.0	Screw, 10/32" x 1/2" BHSOC Black	90-1991	20
4	9.802-791.0	Nut, Cage, 10/32" x 16 Gauge	90-2018	4
5	9.802-520.0	Strain Relief, 3/4" (Remote Option)	6-0517	3 1
6	Fuses, See Specifications Pages			
7	9.802-491.0	Block, Terminal, 4 Pole	6-0504	1
8	Contactor, See Specifications Pages			
9	Overload, See Specifications Pages			
10	9.802-532.0	Valve, Chemical Less Solenoid (Remote)	6-1401590	1
	9.802-533.0	Solenoid Coil, 120V (Remote)	6-140160	1
11	8.706-958.0	Hose Barb, 1/4" Barb x 1/4" Pipe, 90° (Remote)	2-1089	2
12	8.709-069.0	Clamp, Screw, #4 (Remote)	2-9000	2
13	9.802-457.0	Din Rail, 35 mm (Remote)	6-021595	4" 8"
14	9.802-493.0	Block Terminal, 16 Pole (Remote)	6-05041	1
15	9.802-467.0	Base, Relay, SH2B-05, IDEC (Remote)	6-03541	3
16	9.802-468.0	Relay, 120V, RH2B-UL-AC120 (Remote)	6-03621	3
17	9.803-613.0	Ignition, Electronic Control	7-701510	1
18	9.802-553.0	Transformer, Micron, 120/240V-24V, .050 KVA, Electronic Ignition	6-60121	1
19	9.802-695.0	Nut, 10/32", Keps	90-017	17
20	9.802-772.0	Screw, 10/32" x 1/4" (Remote)	90-199940	2

▲ Not Shown

AUTO START ELECTRICAL BOX EXPLODED VIEW



AUTO START ELECTRICAL BOX EXPLODED VIEW

ITEM	PART NO.	DESCRIPTION		QTY
1	9.802-969.0	Box, Electrical	95-07163028	1
2	9.802-970.0	Panel, Electrical Box Side	95-07163030	1
	9.800-040.0	▲ Label, Ground	11-1042	1
3	9.802-759.0	Screw, 10/32" x 1/2" BHSOC Black	90-1991	20
4	9.802-791.0	Nut, Cage, 10/32" x 16 Gauge	90-2018	4
5	9.802-520.0	Strain Relief, 3/4" (Remote)	6-0517	3 1
6	Fuses, See Specifications Pages			
7	9.802-491.0	Block, Terminal, 4 Pole	6-0504	1
8	Contactor, See Specifications Pages			
9	Overload, See Specifications Pages			
10	9.802-532.0	Valve, Chemical Less Solenoid (Remote)	6-1401590	1
	9.802-533.0	Solenoid Coil, 120V (Remote)	6-140160	1
11	8.706-958.0	Hose Barb, 1/4" Barb x 1/4" Pipe, 90° (Remote)	2-1089	2
12	8.709-069.0	Clamp, Hose, UNI .46 - .54, (Remote)	2-9000	2
13	9.802-457.0	Din Rail, 35 mm (Remote)	6-021595	4" 8"
14	9.802-493.0	Block Terminal, 16 Pole (Remote)	6-05041	1
15	9.802-467.0	Base, Relay, SH2B-05, IDEC (Remote)	6-03541	2
16	9.802-468.0	Relay, 120V, RH2B-UL-AC120 (Remote)	6-03621	2
17	9.803-613.0	Ignition, Electronic Control	7-701510	1
18	9.802-553.0	Transformer, Micron, 120/240V-24V, .050 KVA Electronic Ignition	6-60121	1
19	6-06880	Timer, Solid State 120V, 5-60 Min. Auto Start	6-06880	1
20	9.802-466.0	Relay, Socket, IDEC (Remote)	6-035210	1
21	9.802-469.0	Relay, Latch, IDEC (Remote)	6-036210	1
22	9.802-695.0	Nut, 10/32", Keps	90-017	17
23	9.802-772.0	Screw, 10/32" X 1/4"	90-199940	2

▲ Not Shown

SPECIFICATIONS

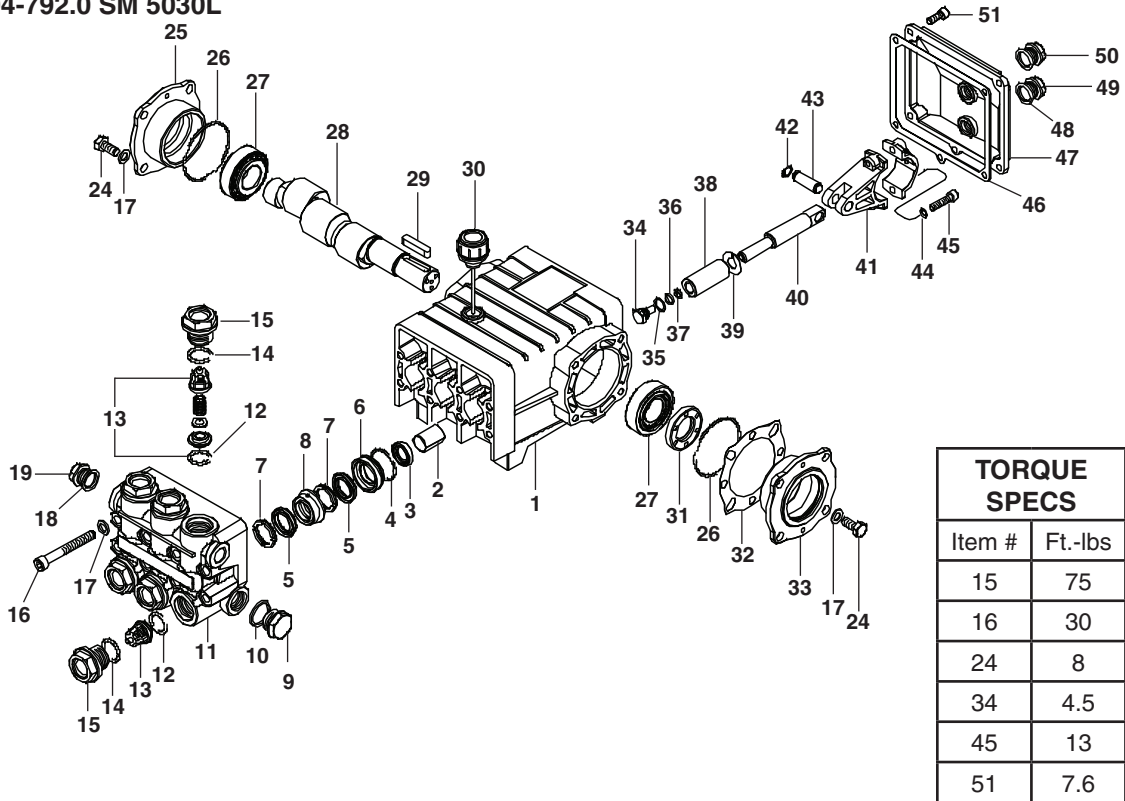
PUMP							MOTOR				
Model	Pump Model	Pump#	Pulley	Pulley Desc.	Pump Bushing	Bushing Part#	Motor Part#	HP	Voltage/ Hertz	Motor Pulley	Pulley Part#
									230v		
353007A	SM4035	8.904-794.0	9.802-388.0	2BK67H	24MM	9.802-402.0	8.715-097.0	7.5	1ph/60Hz	2BK45H	9.802-385.0
									230v		
402007A	SM4035	8.904-794.0	9.802-374.0	2AK74H	24MM	9.802-402.0	9.802-336.0	6	1ph/60Hz	2AK54H	8.715-550.0
									230V		
503007B	SM5030	8.904-793.0	9.802-388.0	2BK67H	24MM	9.802-402.0	8.715-112.0	10	3ph/60Hz	2BK57H	9.803-299.0
									460V		
503007C	SM5030	8.904-793.0	9.802-388.0	2BK67H	24MM	9.802-402.0	8.715-112.0	10	3ph/60Hz	2BK57H	9.803-299.0

SPECIFICATIONS

MOTOR				CONTROLS						
Motor Bushing	Bushing Part#	Belts Size(Qty)	Belt Part#	Motor Contactor	Motor Overload	Transformer	Pri. Fuse	Pri. Fuse Part#	Sec. Fuse	Secondary Fuse Part#
Hx1-3/8	9.802-401.0	BX34 (2)	8.715-695.0	8.724-276.0	8.724-306.0	9.802-552.0	1 AMP	9.802-461.0	8/10	9.802-464.0
Hx1-1/8	9.802-400.0	AX36 (2)	9.802-408.0	8.724-276.0	N/A	9.802-552.0	1 AMP	9.802-461.0	8/10	9.802-464.0
Hx1-3/8	9.802-401.0	BX36 (2)	8.715-697.0	8.724-281.0	8.724-305.0	9.802-552.0	1 AMP	9.802-461.0	8/10	9.802-464.0
Hx1-3/8	9.802-401.0	BX36 (2)	8.715-697.0	8.724-272.0	8.724-304.0	9.802-552.0	.5 AMP	9.802-462.0	8/10	9.802-464.0

SM SERIES PUMP EXPLODED VIEW

- 5-1412 / 8.904-790.0 SM 3540
- 5-1410 / 8.904-788.0 SM 4030
- 5-1411 / 8.904-789.0 SM 4030L
- 5-1420 / 8.904-794.0 SM 4035
- 5-1421 / 8.904-795.0 SM 4035L
- 5-1422 / 8.904-796.0 SM 4035HR
- 5-1415 / 8.904-793.0 SM 5030
- 5-1414 / 8.904-792.0 SM 5030L



SM SERIES PUMP EXPLODED VIEW PARTS LIST

ITEM	PART NO.	DESCRIPTION	QTY
1	9.803-162.0	Crankcase	1
2	9.803-196.0	Plunger Guide	3
3*	Kit 70-08	Plunger Oil Seal	3
4*	9.803-189.0	O-Ring Ø1.78 x 31,47	3
5*	Kits 70-01,03 "V" Seal (4035)		6
	Kits 70-02,04 "V" Seal (4030, 5030)		6
6*	9.803-205.0	Pressure Ring 18mm (4035)	3
	9.803-204.0	Pressure Ring 20mm (4030, 5030)	3
7*	9.803-171.0	Support Ring 18mm (4035)	6
	9.803-172.0	Support Ring 20mm (4030, 5030)	6
8*	9.803-174.0	Intermed. Ring 18mm (4035)	3
	9.803-173.0	Intermed. Ring 20mm (4030, 5030)	3
9	9.802-926.0	Brass Plug 1/2"	1
10	9.803-199.0	Copper Washer 1/2"	1
11	9.802-932.0	Manifold Head	1
12*	9.803-191.0	O-Ring Ø2.62 x 17.13	6
13*	Kit 70-07	Valve Assembly	6
14*	9.803-193.0	O-Ring Ø2.62 x 20.29	6

SM SERIES PUMP EXPLODED VIEW

ITEM	C-TECH#	DESCRIPTION	QTY
15	9.802-928.0	Valve Plug	6
16	9.802-938.0	Manifold Stud Bolt	8
17	9.802-884.0	Washer	16
18	9.803-198.0	Copper Washer 3/8	1
19	9.802-925.0	Brass Plug 3/8	1
24	9.802-944.0	Hexagonal Screw	8
25	9.803-180.0	Closed Bearing Housing	1
26	9.803-192.0	O-Ring Ø1.78 x 60.05	2
27	9.803-159.0	Tapered Roller Bearing	2
28	9.803-146.0	Crankshaft (5030)	1
	9.803-147.0	Crankshaft (4030,4035/H)	1
29	9.803-167.0	Crankshaft Key	1
30	9.802-921.0	Oil Dip Stick	1
31	9.803-140.0	Crankshaft Seal	1
32	9.803-178.0	Shim	2
33	9.803-179.0	Bearing Housing	1
34*	9.802-936.0	Plunger Bolt	3
35*	9.802-885.0	Copper Spacer	3
36*	9.803-188.0	O-Ring Ø1.78 x 7.66	3
37*	9.803-155.0	Teflon Ring	3
38*	Kit 70-05	Plunger (4035, 4035H)	3
	Kit 70-06	Plunger (4030, 5030)	3
39*	9.802-888.0	Copper Spacer	3
40	9.803-144.0	Plunger Rod	3
41	9.803-158.0	Connecting Rod	3
42	9.802-913.0	Snap Ring	6
43	9.802-916.0	Connecting Rod Pin	3
44	9.803-218.0	Spring Washer	6
45	9.803-238.0	Connecting Rod Screw	6
46	9.803-185.0	Cover Gasket	1
47	9.803-165.0	Crankcase Cover	1
48	9.803-197.0	Gasket, G3/8	1
49	9.802-925.0	Brass Plug 3/8	1
50	9.803-201.0	Sight Glass G3/8	1
51	9.802-939.0	Cover Screw	5
52	8.730-836.0	▲ Bach Ring 1/2" (4035H)	3

* Available in kit (See below) ▲ Not Shown

REPAIR KIT NUMBER	70-261216 9.802-628.0	70-260821 9.802-619.0	70-260824 9.802-622.0	70-261210 9.802-624.0	70-260810 9.802-617.0	70-260825 9.802-623.0	70-261217 9.802-629.0	70-260822 9.802-620.0	70-260823 9.802-621.0	70-260007 9.802-603.0	70-260027 9.802-609.0
KIT DESCRIPTION	*Plunger Seal SM-4035	Plunger Seal SM-4030 SM-5030	Plunger Seal SM 3540	**Complete Seal Packing SM-4035	Complete Seal Packing SM-4030 SM-5030	Complete Seal Packing SM 3540	Plunger SM-4035 SM-4035H	Plunger SM-4030 SM-5030	Plunger SM 3540	Complete Valve	Plunger Oil Seals
ITEM NUMBERS INCLUDED	4, 5, 7	4, 5, 7	4, 5, 7	3, 4, 5, 6, 7, 8	3, 4, 5, 6, 7, 8	3, 4, 5, 6, 7, 8	34, 35, 36, 37, 38, 39	34, 35, 36, 37, 38, 39	34, 35, 36, 37, 38, 39	12, 13, 14	3
NUMBER OF CYLINDERS KIT WILL SERVICE	3	3	3	1	1	1	1	1	1	6	3

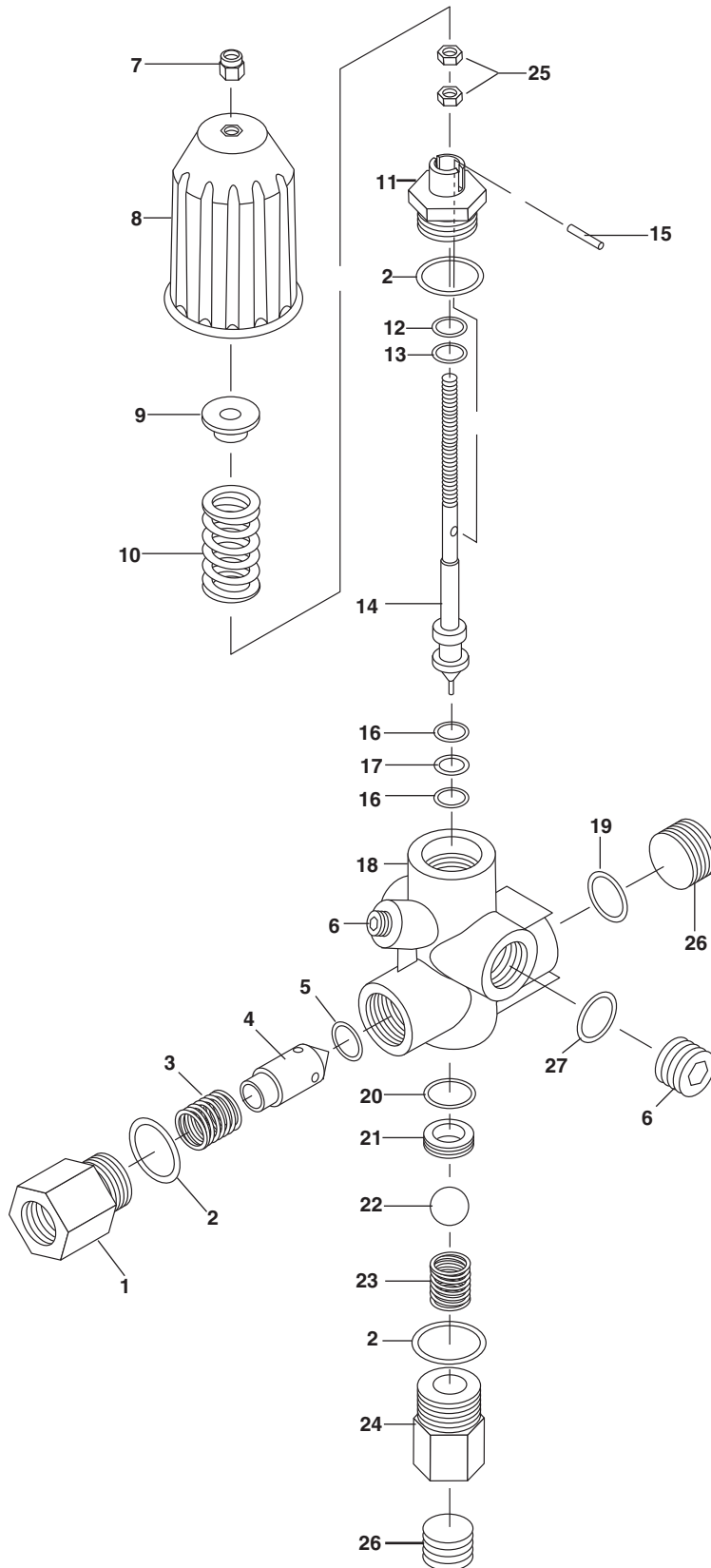
* For SM 4035H High Heat Packings, Use 70-261212

**For SM 4035H High Heat Packings, Use 70-261213

AR-AL UNLOADER EXPLODED VIEW AND PARTS LIST

AR - AL 607 #9.802-367.0

7-8 Gpm, 4200 Psi



AR-AL UNLOADER EXPLODED VIEW AND PARTS LIST

ITEM	PART NO.	DESCRIPTION	QTY	ITEM	PART NO.	DESCRIPTION	QTY
1	8.718-371.0	Check Connector	1	15	83-005106301	Spring Pin	1
2	9.804-536.0	‡ O-Ring 2068	3	16	83-005000101	Back Ring	2
3	9.804-646.0	Shutter Spring	1	17	9.804-590.0	‡ O-Ring 2050	1
4	9.804-538.0	Shutter	1	18	83-005020003	Body By Pass 1/4 G-F	1
5	9.804-539.0	‡ O-Ring 631290 SH	1	18	83-005020026	Body By Pass 3/8 G-F	1
6	83-005170102	1/4 G Plug	1	19	83-005060200	3/8 Gasket	1
7	83-005030101	M8 Lock Nut	1	20	9.804-591.0	‡ O-Ring 2043	1
8	83-005100100	Knob	1	21	9.804-592.0	‡ Seat	1
9	83-005150101	Washer	1	22	9.804-593.0	‡ Ball	1
10	83-005400403	4000 PSI Spring (Black)	1	23	8.718-370.0	Ball Spring	1
11	83-005150011	Stem Guide Union	1	24	83-005150009	Seat Union	1
12	9.804-588.0	‡ Back Ring	2	25	83-005030200	M8 Nut	2
13	9.804-589.0	‡ O-Ring 2031	1	26	83-005170101	3/8G Plug	2
14	83-005160502	Stem AL606	1	27	83-005060201	Gasket	1
14	83-005160514	Stem AL607	1		83-005650200	‡ Repair Kit	

Unloader Adjustment Procedures

1. Remove lock nut (Item 7).
2. Remove adjustment knob (Item 8).
3. Loosen the two (2) nuts (Items 25), move them upward on stem (Item 14) until you see 4 or more threads below the nut.
4. Re-attach adjusting knob (Item 8).
5. Start machine. Open the trigger of the spray gun. Increase pressure by turning adjustment knob (Item 8) clockwise until pressure is at the desired operating pressure.
6. Remove the adjustment knob (Item 8), tighten the lower nut (item 25) tightly against the upper nut (Item 25). Re-attach adjustment knob (Item 8) and screw down until contact is made with the nuts (Item 25). Screw down lock nut (Item 7) onto the stem (Item 14) until the threads cut into the nylon insert of the lock nut (Item 7).

*If adjustment knob (Item 8) **DOES NOT** make contact with upper nut (Item 25), remove adjusting knob (Item 8), re-adjust (raise) nuts (Items 25) on stem (Item 14) and re-attach adjustment knob (Item 8), then repeat step #6.

If adjustment knob (Item 8) **DOES make contact with upper nut, release the trigger of the spray gun and watch the pressure gauge for the pressure increase (“spike”). This “spike” **SHOULD NOT** exceed 500 psi above the operating pressure. If spike pressure exceeds the 500 psi limit, remove the adjusting knob (Item 8) and re-adjust (lower) the nuts (Items 25) on the stem (Item 14). Re-attach the adjusting knob (Item 8), then repeat step #6.