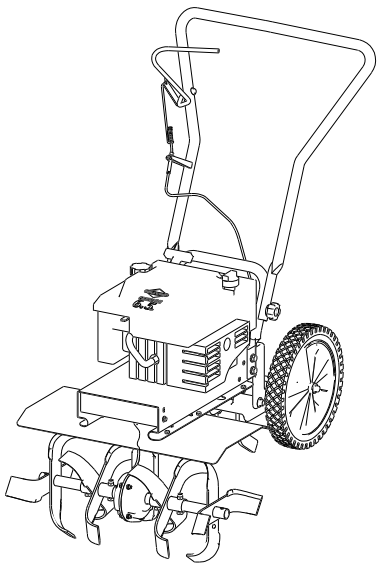


# Earthquake<sup>®</sup>

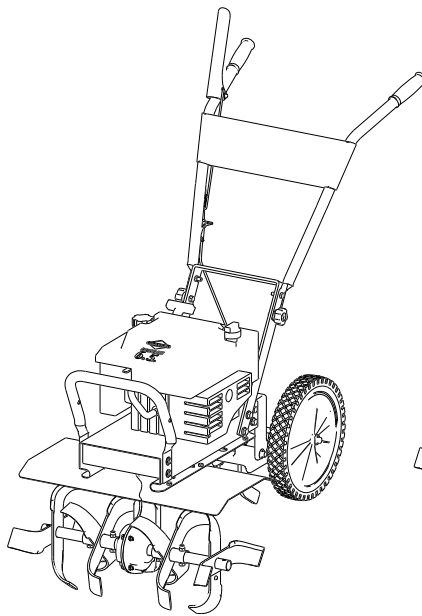
## **OPERATING INSTRUCTIONS & PARTS EXPLOSIONS FRONT TINE ROTOTILLERS**



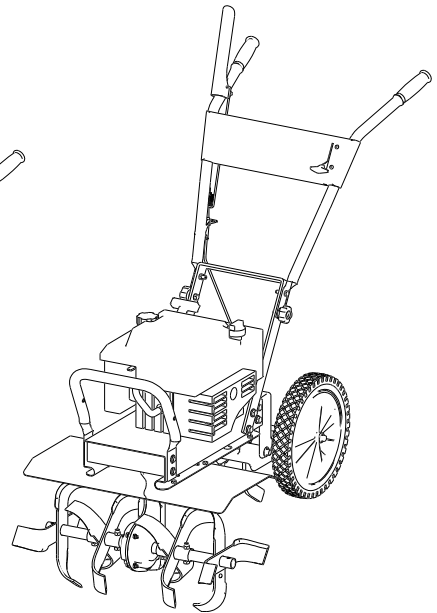
**Model 3365  
Briggs & Stratton  
5.50 ft-lbs Gross Torque**

**Model 3365B  
Briggs & Stratton  
6.50 ft-lbs Gross Torque**

**Model 3365CE  
Briggs & Stratton  
6.50 ft-lbs Gross Torque**

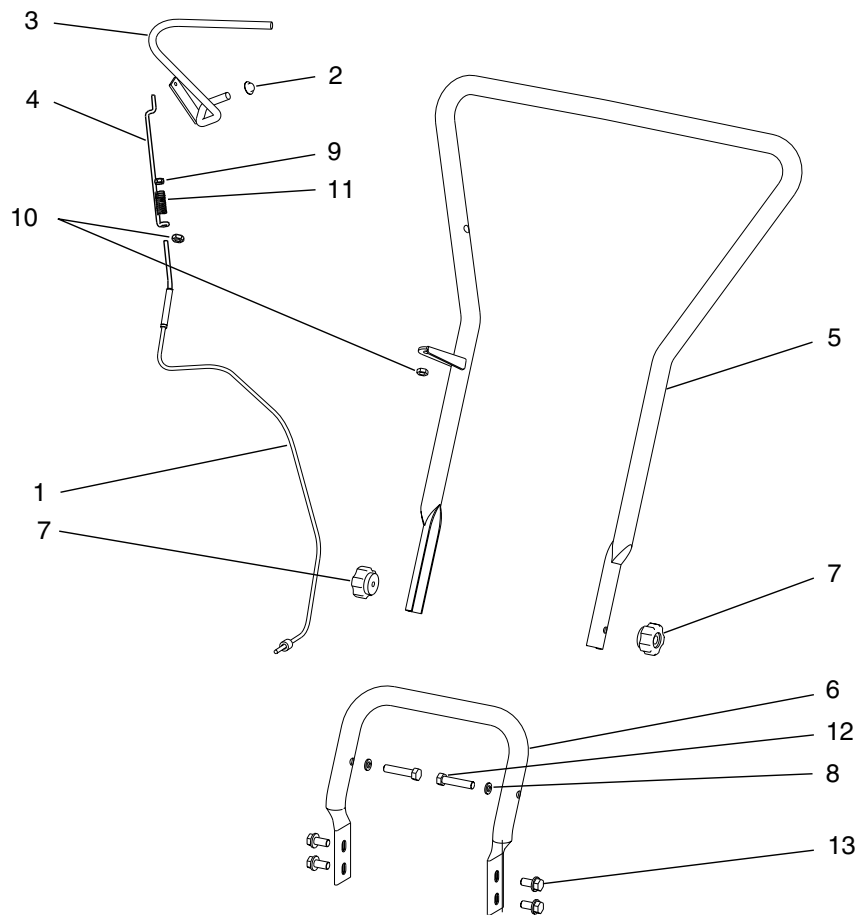


**Model 3365PS  
Briggs & Stratton  
6.50 ft-lbs Gross Torque**



**Model R3355H  
5.5 HP Honda**

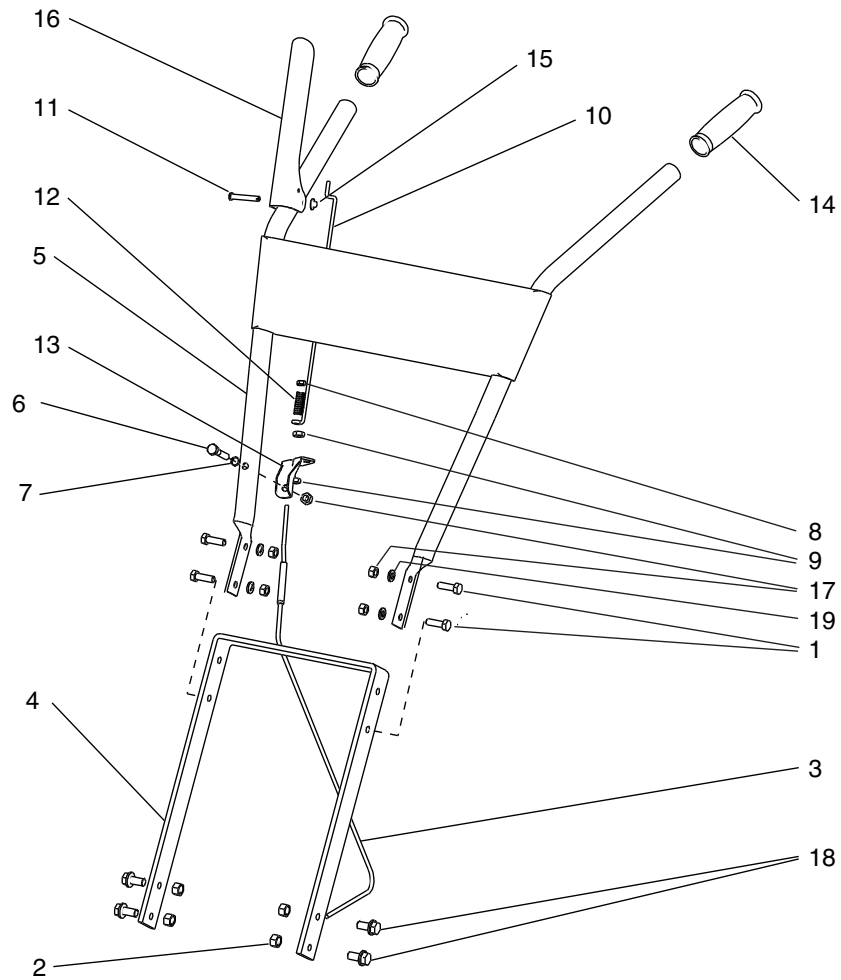
**3365/3365B/3365CE HANDLEBAR PARTS**



REF. NO.	PART #	DESCRIPTION	QTY.
1	3108A	CABLE ASSEMBLY W/FERREL	1
2	3170	NUT, PUSH 3/8" DIA.	1
3	3262	DRIVE SAFETY CONTROL LEVER	1
4	3268	LINK, 5-3/4" LONG	1
5	3269	HANDLE, TOP	1
6	3335	HANDLE, BOTTOM	1
7	48406	KNOB, FIVE-STAR 5/16-18	2

REF. NO.	PART #	DESCRIPTION	QTY.
8	504	LOCKWASHER, SPRING 5/16"	2
9	53606	NUT, HEX NYLOC 10-24	1
10	53607	NUT, HEX JAM 5/16-24	2
11	53620	SPRING, COMPRESSION	1
12	8655	BOLT, HEX HD 5/16-18 X 1-3/4"	2
13	90141	BOLT, SFHH W/PATCH 3/8-16 X 1" GR5	4

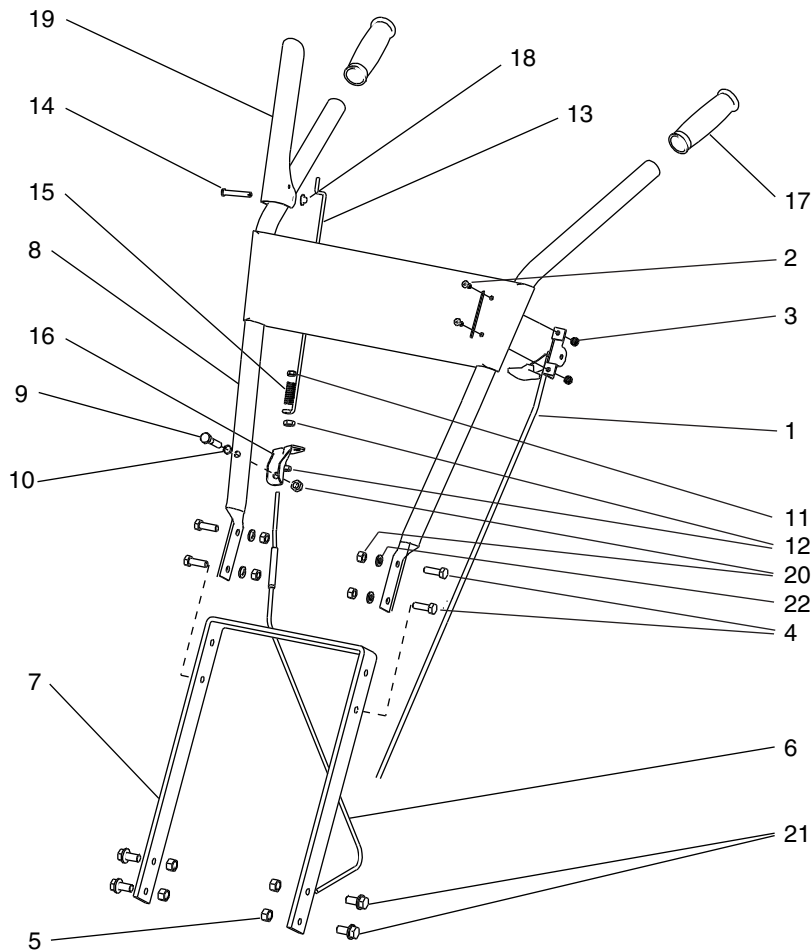
**3365PS HANDLEBAR PARTS**



REF. NO.	PART #	DESCRIPTION	QTY.
1	1501	BOLT, SOC FLG HEX HD 5/16-18 X 3/4" GR5	4
2	2104	NUT, BI-WAY HEX LOCK 3/8-16	4
3	3108A	CABLE ASSEMBLY W/FERREL	1
4	3358	MOUNT, HANDLEBAR	1
5	3359	HANDLEBAR WELDMENT	1
6	503	BOLT, HH 5/16-18 X 1-1/2"	1
7	504	LOCKWASHER, SPRING 5/16"	2
8	53606	NUT, HEX NYLOC 10-24	1
9	53607	NUT, HEX JAM 5/16-24	2

REF. NO.	PART #	DESCRIPTION	QTY.
10	53612	LINK 11-5/8" LONG	1
11	53614	PIN, CLEVIS 1/4 X 1-1/2"	1
12	53620	SPRING, COMPRESSION	1
13	53629	BRACKET, CABLE MOUNT	1
14	53631	GRIP, HANDLEBAR 1" ID FLANGELESS	2
15	53632	NUT, PUSH 1/4"	1
16	53650	LEVER, CONTROL	1
17	60G56	NUT, BI-WAY LOCK 5/16-18	5
18	90138	BOLT, SFHH 3/8-16 X 3/4"	4
19	WF516	WASHER, FLAT 5/16"	4

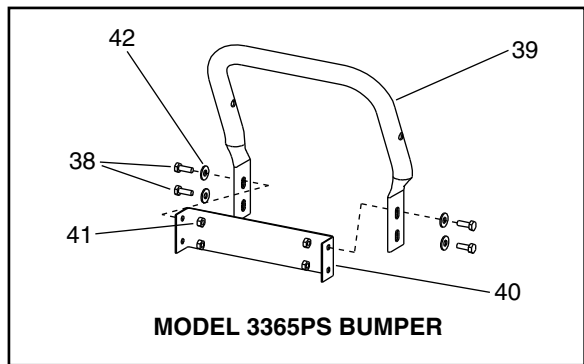
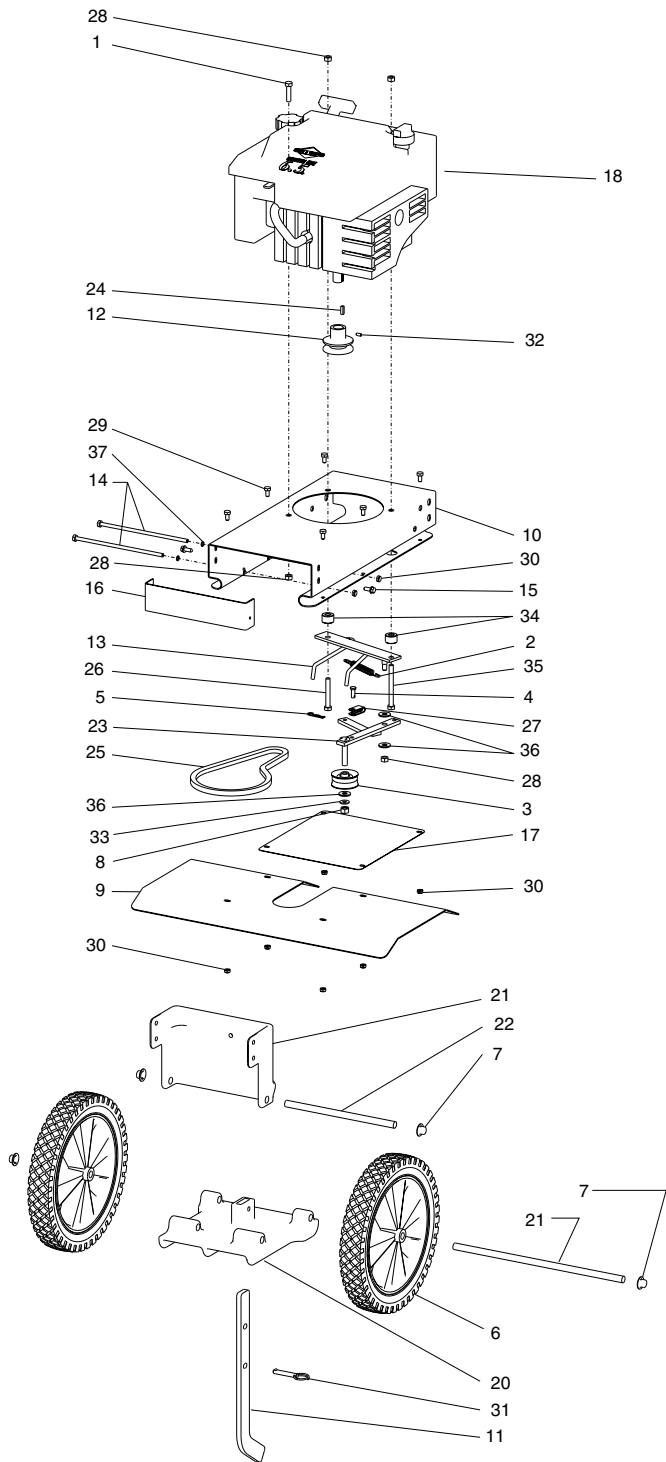
**R3355H HANDLEBAR PARTS**



REF. NO.	PART #	DESCRIPTION	QTY.
1	101A	THROTTLE CONTROL W/ KNOB	1
2	103	BOLT, SLOTTED RND HD 10-32 X 1/2"	2
3	105	NUT, HEX NYLOCK 10-32	2
4	1501	BOLT, SOC FLG HEX HD 5/16-18 X 3/4" GR5	4
5	2104	NUT, BI-WAY HEX LOCK 3/8-16	4
6	3108A	CABLE ASSEMBLY W/FERREL	1
7	3358	MOUNT, HANDLEBAR	1
8	3353	HANDLEBAR WELDMOUNT	1
9	503	BOLT, HH 5/16-18 X 1-1/2"	1
10	504	LOCKWASHER, SPRING 5/16"	2
11	53606	NUT, HEX NYLOC 10-24	1

REF. NO.	PART #	DESCRIPTION	QTY.
12	53607	NUT, HEX JAM 5/16-24	2
13	53612	LINK 11-5/8" LONG	1
14	53614	PIN, CLEVIS 1/4 X 1-1/2"	1
15	53620	SPRING, COMPRESSION	1
16	53629	BRACKET, CABLE MOUNT	1
17	53631	GRIP, HANDLEBAR 1" ID FLANGELESS	2
18	53632	NUT, PUSH 1/4"	1
19	53650	LEVER, CONTROL	1
20	60G56	NUT, BI-WAY LOCK 5/16-18	5
21	90138	BOLT, SFHH 3/8-16 X 3/4"	4
22	WF516	WASHER, FLAT 5/16"	4

**3365\_3365B\_3365CE\_3365PS MOTOR MOUNT & HOOD PARTS**

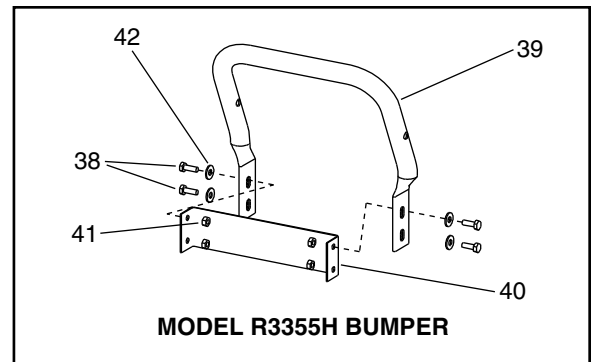
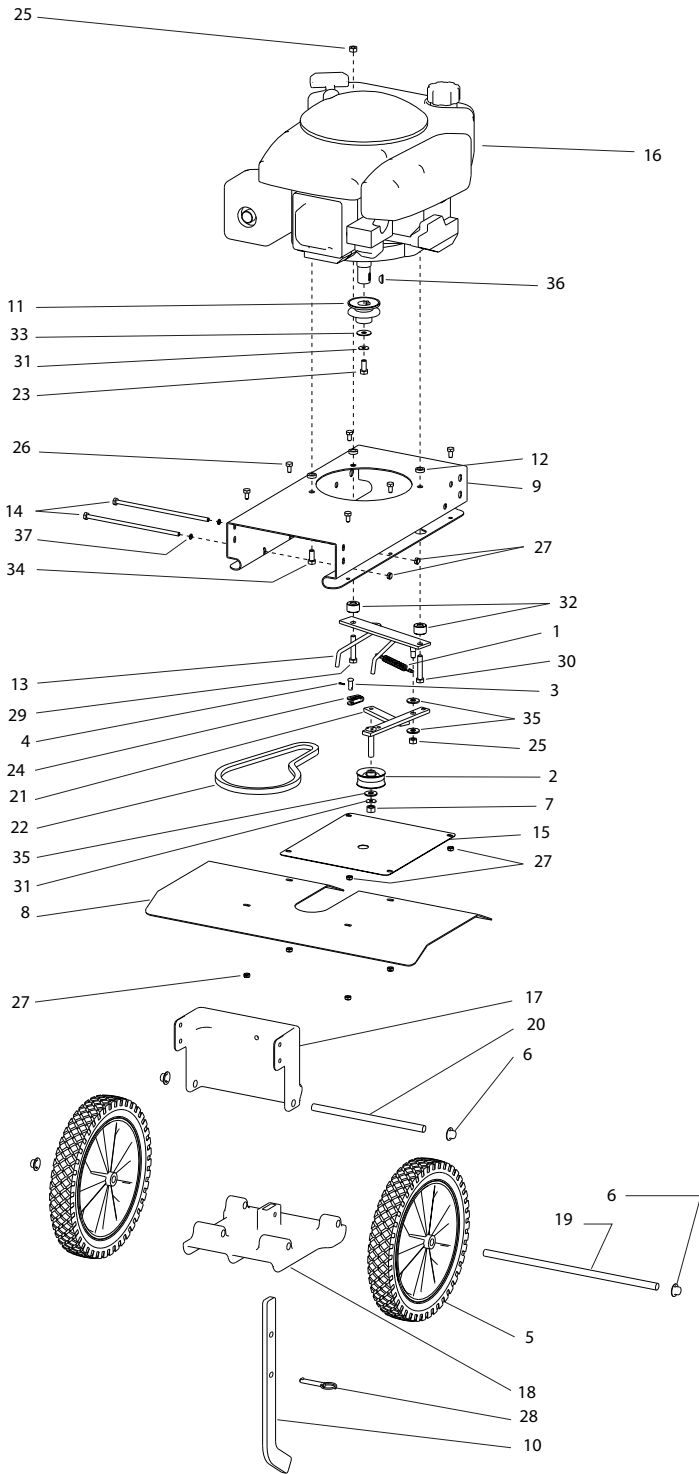




**3365\_3365B\_3365CE\_3365PS MOTOR MOUNT & HOOD PARTS**

REF. NO.	PART #	DESCRIPTION	QTY.	REF. NO.	PART #	DESCRIPTION	QTY.
1	1401	BOLT, HHCS 5/16-18 X 1-1/4" GR5	1	22	3332	SHAFT, TAIL MOUNT HINGE 1/2"	1
2	1407	SPRING, FORWARD ARM	1	23	3360	IDLER ARM, FORWARD	1
3	1413	PULLEY, FORWARD IDLER	1	24	3364	KEY, SQUARE 3/16" X 5/8"	1
4	1416	PIN, LINK	1	25	3370	BELT, FORWARD	1
5	1418	PIN, COTTER	1	26	48300	BOLT, HHCS 5/16-18 X 2-1/4" GR5	1
6	1714252	WHEEL & TIRE ASSY 11.0 X 1.75	2	27	53596B	YOKE, CABLE	1
7	1960519	PUSH NUT 1/2" DIA.	4	28	60G56	NUT, BI-WAY LOCK 5/16-18	4
8	2108	NUT, NON-LOCKING HEX 3/8-16	1	29	63118	BOLT, HHCS 1/4-20 X 1/2"	6
9	3128	SHIELD, TINE	1	30	67538	NUT, HEX NYLOC 1/4-20	8
10	3130A	FRAME, ENGINE MOUNT	1	31	69170	PIN, DETENT 5/16" X 2"	1
11	3157	LEVER, DEPTH REGULATOR	1	32	715	SET SCREW 1/4-20 X 1/4"	2
12	3171	PULLEY, ENGINE, SINGLEGROOVE 3/4" ID	1	33	719	WASHER, SPRING LOCK 3/8"	1
13	3182A	BELT GUIDE & MOUNT	1	34	744	SPACER, BELT GUIDE	2
14	3196	BOLT, HHCS 1/4-20 X 7-1/2" GR5	2	35	90140	BOLT, HEX HD 5/16-18 X 3-1/4"	1
15	3202	SCREW, SHEET METAL 1/4 X 3/4"	2	36	WF516	WASHER, FLAT 5/16"	3
16	3237	COVER, FRONT BELT (3365, 3365B,3365CE)	1	37	WL14	WASHER, SPRING LOCK 1/4"	2
17	3275	SHIELD, DIRT	1	<b>MODEL 3365PS BUMPER GUARD PARTS</b>			
18	3305	ENGINE, 6.50 T.R. BRIGGS (3305, 3365PS, 3365B, 3365CE)	1	38	1516	BOLT, SOC FLANGE HEX HD, 1/4-20 X 3/4"	4
18	3305CE	ENGINE, 5.50 T.R. BRIGGS (3306, 3365)	1	39	3335	ARM LOWER HANDLEBAR	1
18	3306	ENGINE, 6.50 T.R. BRIGGS (3365B, 3365PS)	1	40	3371	COVER, FRONT 4-HOLE (replaces 3237)	1
19	3330	TAIL MOUNT, LOWER	1	41	67535	BOLT, SBHCS SS 1/4-20 X 1-1/2"	4
20	3331	SHAFT, WHEEL 1/2"	1	42	WF14	WASHER, FLAT 1/4"	4
21	3329	TAILMOUNT, UPPER	1				

## R3355H MOTOR MOUNT & HOOD PARTS



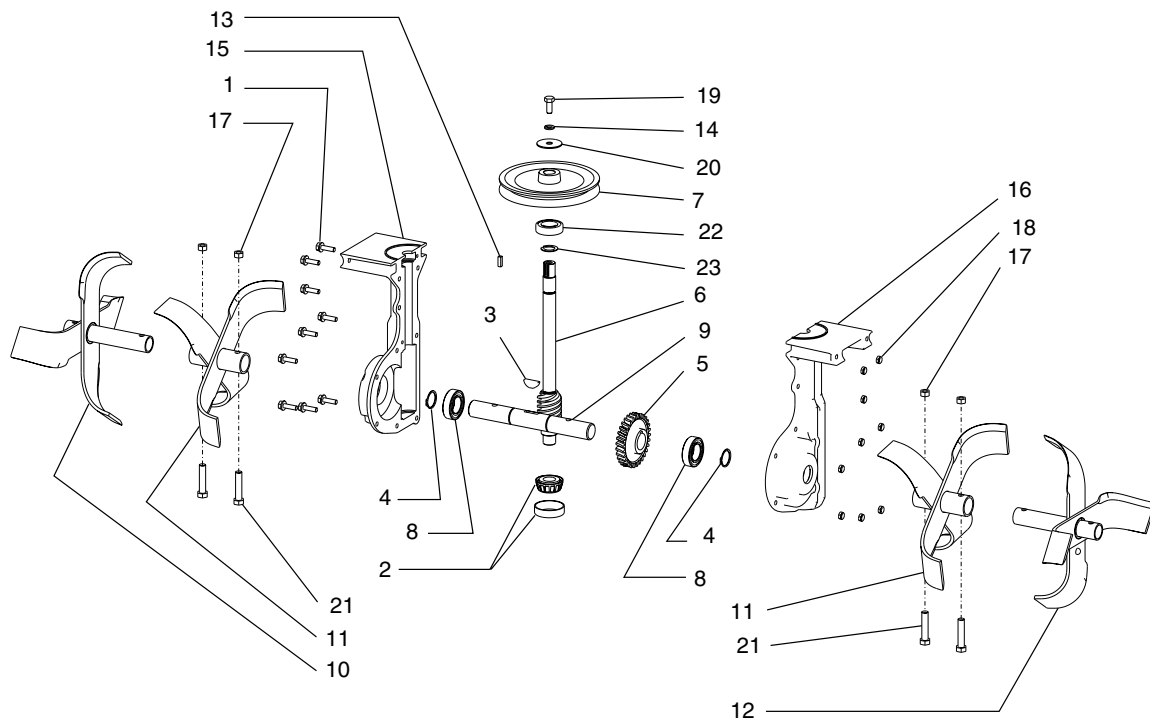


**R3355H MOTOR MOUNT & HOOD PARTS**

REF. NO.	PART #	DESCRIPTION	QTY.
1	1407	SPRING, FORWARD ARM	1
2	1413	PULLEY, FORWARD IDLER	1
3	1416	PIN, LINK	1
4	1418	PIN, COTTER	1
5	1714252	WHEEL & TIRE ASSY 11.0 X 1.75	2
6	1960519	PUSH NUT 1/2" DIA.	4
7	2108	NUT, NON-LOCKING 3/8-16	1
8	3128	SHIELD, TINE	1
9	3130A	FRAME, ENGINE MOUNT	1
10	3157	LEVER, DEPTH REGULATOR	1
11	31781	PULLEY, ENGINE, SINGLE-GROOVE 3/4" ID MODIFIED	1
12	31782	SPACER, ENGINE	3
13	3182A	BELT GUIDE & MOUNT	1
14	3196	BOLT, HEX HD CAP SCR 1/4-20 X 7-1/2" GR5	2
15	3275D	SHIELD, DIRT W/HOLE	1
16	33055	ENGINE, 5.5 HP HONDA	1
17	3329	TAIL MOUNT, UPPER	1
18	3330	TAIL MOUNT, LOWER	1
19	3331	SHAFT, WHEEL 1/2"	1
20	3332	SHAFT, TAIL MOUNT HINGE 1/2"	1
21	3360	IDLER ARM, FORWARD	1
22	3370	BELT, FORWARD	1

REF. NO.	PART #	DESCRIPTION	QTY.
23	53194	BOLT, HEX HD FULL THRD 3/8-24 X 1" GR5	1
24	53596B	YOKE, CABLE	1
25	60G56	NUT, BI-WAY LOCK 5/16-18	4
26	63118	BOLT, HEX HD CAP SCR 1/4-20 X 1/2"	6
27	67538	NUT, HEX NYLOC 1/4-20	8
28	69170	PIN, DETENT 5/16" X 2"	1
29	712		1
30	717	BOLT, HEX HD 5/16-24 X 1-3/4"	1
31	719	WASHER, SPRING LOCK 3/8"	2
32	744	SPACER, BELT GUIDE	2
33	809	WASHER, FLAT 1" OD X 5/16" X .047" THICK	1
34	813	BOLT, HEX HD 5/16-24 X 1-1/4"	1
35	WF516	WASHER, FLAT 5/16"	3
36	WK6	KEY, WOODRUFF #6	1
37	WL14	WASHER, SPRING LOCK 1/4"	2
<b>MODEL R3355H BUMPER GUARD PARTS</b>			
38	1516	BOLT, SOC FLANGE HEX HD 1/4-20 X 3/4"	4
39	3335	ARM LOWER HANDLEBAR	1
40	3371	COVER, FRONT 4-HOLE	1
41	67535	BOLT, SOC BUTTON HD CAP SCR SS 1/4-20 X 1-1/2"	4
42	WF14	WASHER, FLAT 1/4"	4

**TINES & TRANSMISSION PARTS**



REF. NO.	PART #	DESCRIPTION	QTY.
1	1511	BOLT, SFHH 1/4-20 X 7/8"	9
2	1601	BEARING, TAPERED (includes cone & race)	1
3	1701	KEY, HALF MOON 1/4 X 1"	1
4	1810	SNAP RING, EXTERNAL	2
5	3116	GEAR, BRASS 1" ID	1
6	3122	SHAFT, DRIVE	1
7	3179	PULLEY, SINGLE GROOVE	1
8	3205W	BEARING, SEALED 1" ID (replaces 3205 bearing & 747 spacer)	2
9	3322	SHAFT, TINE 1"	1
10	3323	TINE SET, OUTSIDE RIGHT	1
11	3324	TINE SET, INSIDE	2
12	3326	TINE SET, OUTSIDE LEFT	1

REF. NO.	PART #	DESCRIPTION	QTY.
13	3364	KEY 3/16 X 1/2"	1
14	504	LOCKWASHER, SPRING 5/16"	1
15	56100B	CASTING, RIGHT SIDE	1
16	56101B	CASTING, LEFT SIDE	1
17	60G56	NUT, BI-WAY LOCK 5/16-18	4
18	67538	NUT, NYLOC 1/4"	9
19	802	SCREW, HEX HD 5/16-24 X 3/4"	1
20	803	WASHER 5/16" ID X 1-5/8" OD	1
21	8655	BOLT, HEX HD 5/16-18 X 1-3/4"	4
22	8922	BEARING, BALL R12	1
23	8924	SNAP RING, EXTERNAL 3/4"	1
24	3310TRAN	TRANSMISSION, COMPLETE	1
25	3334	KIT, TINES W/ DRAG STAKE (not shown)	1