

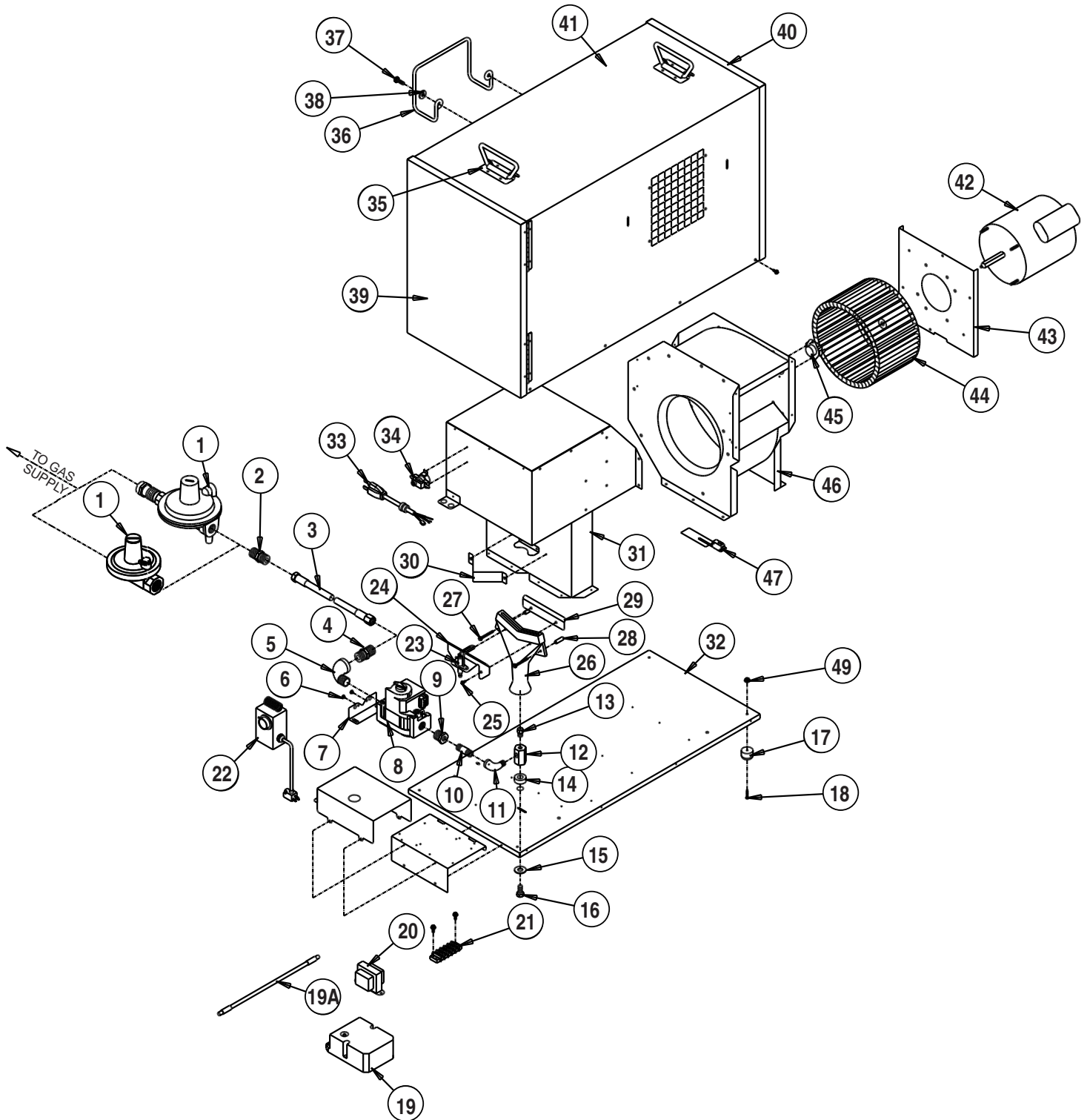


FOREMAN

Portable Unit Heaters

Portable Unit Heaters

MODEL CS080



Portable Unit Heaters

PARTS IDENTIFICATION

Item	Description	Design Sequence			Model CS080	
		C	D	E		
1	Regulator	L.P. Gas	X	X	X	400-08990
		Natural Gas	X	X	X	500-21999
2	Adapter, 3/8 NPT x 1/2 NPS,	L.P. Gas	X	X	X	310-06655
3	Hose, 1/2 In. ID x 10 Ft, with Adapters	L.P. Gas	X	X	X	550-20531
		Natural Gas	X	X	X	550-20704
4	Adapter, 1/2 NPT x 1/2 NPS		X	X	X	310-02894
5	Ell		X	X	X	130-09309
6	Screw		X	X	X	130-09425
7	Bracket		X	X	X	225-09760
8	Valve, Gas Control	L.P. Gas	X	X	X	120-09368
		Natural Gas	X	X	X	120-09428
9	Bushing		X	X	X	130-01519
10	Nipple		X	X	X	130-02453
11	Ell		X	X	X	130-01425
12	Holder, Orifice		X	X	X	310-09759
13	Orifice, Burner	L.P. Gas	X	X	X	310-09753
		Natural Gas	X	X	X	310-09754
14	Spacer, Burner		X	X	X	130-07905
15	Washer		X	X	X	130-01589
16	Bolt		X	X	X	130-02692
17	Bumper		X	X	X	130-08932
18	Screw		X	X	X	130-08944
19	Control Ignition		X	X	X	120-08810
19A	Wire, Ignition Control		X	X	X	120-09348
20	Transformer		X	X	X	120-08922
21	Terminal Strip		X	X	X	120-08253
22	Thermostat Kit		X	X	X	500-09454
23	Igniter		X	X	X	410-06479
24	Bracket		X	X	X	260-08906
25	Screw		X	X	X	130-01213
26	Burner		X	X	X	410-06479
27	Screw		X	X	X	130-02688
28	Spacer		X	X	X	130-02687
29	Bracket Flame Arrestor		X	X	X	260-08942
30	Bracket, Burner		X	X	X	220-08933
31	Chamber, Heat		X	X	X	400-08952
32	Base		X	X	X	225-08909
33	Cord, Power		X	X	X	120-09139
34	Switch, High Limit, Burner End (275 F)		X	X	X	120-03933
35	Handle		X	X	X	130-08534
36	Hanger, Hose		X	X	X	130-08936
37	Bolt		X	X	X	130-11254
38	Washer		X	X	X	130-03054
39	Case Access Panel, Burner End		X	X	X	225-08917
40	Case Access Panel, Motor End		X	X	X	225-08916
41	Case Assembly w/ Access Panels		X	X	X	400-09970
42	Motor		X	X	N/A	120-08920
			N/A	N/A	X	120-20292
43	Mount, Motor		X	X	X	220-08146
44	Fan		X	X	X	130-03531
45	Switch, High Limit (250 F)		X	X	X	120-09821
46	Housing Fan w/ Motor, Fan & High Limit Switch		X	X	N/A	400-09961
			N/A	N/A	X	400-22067
47	Switch, Air Proving w/ Bracket		N/A	N/A	X	400-21186